



MIAMI-DADE COUNTY  
 PRODUCT CONTROL SECTION  
 11805 SW 26 Street, Room 208  
 Miami, Florida 33175-2474  
 T (786) 315-2590 F (786) 315-2599  
[www.miamidade.gov/economy](http://www.miamidade.gov/economy)

DEPARTMENT OF REGULATORY AND ECONOMIC RESOURCES (RER)  
 BOARD AND CODE ADMINISTRATION DIVISION  
**NOTICE OF ACCEPTANCE (NOA)**

**Eurotech Industries, Inc.**  
 4201 NE 12 Terrace  
 Oakland Park, FL 33334

**SCOPE:**

This NOA is being issued under the applicable rules and regulations governing the use of construction materials. The documentation submitted has been reviewed and accepted by Miami-Dade County RER -Product Control Section to be used in Miami Dade County and other areas where allowed by the Authority Having Jurisdiction (AHJ). This NOA shall not be valid after the expiration date stated below. The Miami-Dade County Product Control Section (In Miami Dade County) and/or the AHJ (in areas other than Miami Dade County) reserve the right to have this product or material tested for quality assurance purposes. If this product or material fails to perform in the accepted manner, the manufacturer will incur the expense of such testing and the AHJ may immediately revoke, modify, or suspend the use of such product or material within their jurisdiction. RER reserves the right to revoke this acceptance, if it is determined by Miami-Dade County Product Control Section that this product or material fails to meet the requirements of the applicable building code. This product is approved as described herein, and has been designed to comply with the Florida Building Code, including the High Velocity Hurricane Zone.

**DESCRIPTION: Aluminum Outswing Entrance Door-LMI**

**APPROVAL DOCUMENT:** Drawing No. **W15-26 Rev B**, titled "Alum Single Outswing Entrance Door (L.M.I.)", sheets 1 through 4 of 4, dated 06/25/15 and last revised on MAR 27, 2018, prepared by Al-Farooq Corporation, signed and sealed by Javad Ahmad, P.E., bearing the Miami-Dade County Product Control Renewal stamp with the Notice of Acceptance number and expiration date by the Miami-Dade County Product Control Section.

**MISSILE IMPACT RATING: Large and Small Missile Impact**

**LABELING:** Each unit shall bear a permanent label with the manufacturer's name or logo, city, state and series and following statement: "Miami-Dade County Product Control Approved", noted herein.

**RENEWAL** of this NOA shall be considered after a renewal application has been filed and there has been no change in the applicable building code negatively affecting the performance of this product.

**TERMINATION** of this NOA will occur after the expiration date or if there has been a revision or change in the materials, use, and/or manufacture of the product or process. Misuse of this NOA as an endorsement of any product, for sales, advertising or any other purposes shall automatically terminate this NOA. Failure to comply with any section of this NOA shall be cause for termination and removal of NOA.

**ADVERTISEMENT:** The NOA number preceded by the words Miami-Dade County, Florida, and followed by the expiration date may be displayed in advertising literature. If any portion of the NOA is displayed, then it shall be done in its entirety.

**INSPECTION:** A copy of this entire NOA shall be provided to the user by the manufacturer or its distributors and shall be available for inspection at the job site at the request of the Building Official.

This NOA **renews NOA #18-0116.02** and consists of this page 1, evidence pages E-1, E-2, E-3, and G-1 as well as approval document mentioned above.

The submitted documentation was reviewed by **Ishaq I. Chanda, P.E.**



NOA No. 19-0318.02  
 Expiration Date: June 10, 2024  
 Approval Date: April 11, 2019  
 Page 1

4/11/19

**Eurotech Industries, Inc.**

**NOTICE OF ACCEPTANCE: EVIDENCE SUBMITTED**

**1. EVIDENCE SUBMITTED UNDER file #14-0303.09**

**A. DRAWINGS**

1. Manufacturer's die drawings and sections.
2. Drawing No. **W15-26**, titled "Aluminum Single Outswing Entrance Door (L.M.I.)", sheets 1 through 4 of 4, dated 06/25/15, prepared by AL-Farooq Corporation, signed and sealed by Javad Ahmad, P.E., dated 07/03/15.

**B. TESTS**

1. Test reports on
  - 1) Air Infiltration Test, per FBC, TAS 202-94
  - 2) Uniform Static Air Pressure Test, Loading per FBC, TAS 202-94
  - 3) Water Resistance Test per FBC, TAS 202-94
  - 4) Forced Entry Test, per FBC 2411 3.2.1 and TAS 202-94
  - 5) Large Missile Impact Test per FBC, TAS 201-94
  - 6) Cyclic Wind Pressure Loading per FBC, TAS 203-94along with installation diagram of aluminum outswing door, prepared by American Test Lab of South Florida, Test Report No(s). **ATLSF 0304.01-15**, dated 05/26/15, signed and sealed by Stephen Warter, P.E.
2. Tensile Test prepared by Hurricane Engineering & Testing, Test No. HETI-04-T100, dated 01/29/04, tested per ASTM E8-01, signed & sealed by Rafael E. Droz-Seda, P.E.

**C. CALCULATIONS**

1. Anchor Calculations and structural analysis, dated 07/01/2015, prepared by Al-Farooq Corp., signed and sealed by Javad Ahmad, P.E., dated 07/02/15.
2. Glazing complies w/ ASTM E-1300-09.

**D. QUALITY ASSURANCE**

1. Miami Dade Department of Regulatory and Economic Resources (RER)

**E. MATERIAL CERTIFICATIONS**


1. Notice of Acceptance No. **14-0423.17** issued to Eastman Chemical Company for their "Saflex Clear and Color Glass Interlayers", expiring on 5/21/16.

**F. STATEMENTS**

1. Statement letter of conformance to FBC 2014, 5<sup>th</sup> edition, prepared by Al Farooq Corporation, dated 07/01/2015, signed and sealed by Javad Ahmad, P.E.

**G. OTHERS**

1. Notice of Acceptance No. **14-0303.09**, issued to Eurotech Industries, Inc. for their Aluminum Outswing Entrance Door, approved on May 15, 2014 and expiring on 6/10/2019.

  
Ishaq I. Chanda, P.E.  
Product Control Unit Supervisor  
NOA No. 19-0318.02  
Expiration Date: June 10, 2024  
Approval Date: April 11, 2019

**NOTICE OF ACCEPTANCE: EVIDENCE SUBMITTED**

**G. OTHERS (continue)**

1. Notice of Acceptance No. **14-0303.09**, issued to Eurotech Industries, Inc. for their Aluminum Outswing Entrance Door, approved on May 15, 2014 and expiring on 6/10/2019.
2. Simulation Performance, Solar Heat Gain Coefficient, Visible Transmittance, & Condensation Resistance Calculation Report on:
  - 1) **NFRC 100-2010** "Procedure for Determining Fenestration Product U-Factors"
  - 2) **NFRC 200-2010** "Procedure for Determining Fenestration Product Solar Heat Gain Coefficients and Visible Transmittance at Normal Incidence"
  - 3) **NFRC 500-2010** "Procedure for Determining Fenestration Product Condensation Resistance Values"Using computer simulation in accordance with NFRC: Frame and Edge Modeling: THERM 6.3.38, / WINDOW 6.3.74, Simulation Manual; Optics 6 of a Eurotech Industries aluminum entrance door, along with attached drawings and bill of materials included in Appendix, by Fenestration Testing Laboratory, Inc., Test Report No. **8367**, pages 1 through 6 of 6, dated 05/13/15, signed by Jose Sanchez, NFRC Accredited Simulator, Simulator-In-Responsible-Charge.
3. NFRC 102-2010 Thermal Performance Test Report on:
  - 1) **NFRC 102-2010** "Test Procedure for Measuring Steady-State Thermal Transmittance of Fenestration Systems"Test report of a Eurotech Industries aluminum entrance door with Low E and Argon, along with submittal component drawings, with applicable part numbers, manufacturing and modeling details included in Appendix A, marked up by Fenestration Testing Laboratory, Inc., Test Report No. 8313, pages 1 through 7 of 7, dated 05/18/2015, signed by signed by Jose Sanchez, NFRC Accredited Simulator, Simulator-In-Responsible-Charge.

**2. EVIDENCE SUBMITTED in previous file # 15-0707.02**

**A. DRAWINGS**

1. Drawing No. **W15-26 Rev B**, titled "Alum Single Outswing Entrance Door (L.M.I.)", sheets 1 through 4 of 4, dated 06/25/15 and last revised 03/27/18, prepared by Al-Farooq Corporation, signed and sealed by Javad Ahmad, P.E.

**B. TESTS**

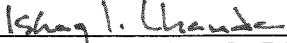
1. None.

**C. CALCULATIONS**

1. None.

**D. QUALITY ASSURANCE**

1. Miami Dade Department of Regulatory and Economic Resources (RER)

  
\_\_\_\_\_  
**Ishaq I. Chanda, P.E.**  
Product Control Unit Supervisor  
NOA No. 19-0318.02  
Expiration Date: June 10, 2024  
Approval Date: April 11, 2019

**NOTICE OF ACCEPTANCE: EVIDENCE SUBMITTED**

**E. MATERIAL CERTIFICATIONS**

1. Notice of Acceptance No. **17-0712.05** issued to Eastman Chemical Company (MA) for their “**Saflex Clear and Color Glass Interlayers**”, expiring on 5/21/21.

**F. STATEMENTS**

1. Statement letter of conformance to **FBC 6<sup>th</sup> Edition (2017)** and of no financial interest, prepared by Al Farooq Corporation, dated 12/1017, signed and sealed by Javad Ahmad, P.E.

**G. OTHERS**

1. This NOA revises NOA #**15-0707.02**, expiring on 06/10/19.

**3. NEW EVIDENCE SUBMITTED**

**A. DRAWINGS**

1. Drawing No. **W15-26 Rev B**, titled “Alum Single Outswing Entrance Door (L.M.I.)”, sheets 1 through 4 of 4, dated 06/25/15 and last revised on MAR 27, 2018, prepared by Al-Farooq Corporation, signed and sealed by Javad Ahmad, P.E.

**B. TESTS**

1. None.

**C. CALCULATIONS**

2. None.

**D. QUALITY ASSURANCE**

1. Miami Dade Department of Regulatory and Economic Resources (RER)

**E. MATERIAL CERTIFICATIONS**


1. Notice of Acceptance No. **17-0712.05** issued to Eastman Chemical Company (MA) for their “**Saflex Clear and Color Glass Interlayers**”, expiring on 5/21/21.

**F. STATEMENTS**

1. Statement letter of conformance to **FBC 6<sup>th</sup> Edition (2017)** and of no financial interest, prepared by Al Farooq Corporation, dated 12/1017, signed and sealed by Javad Ahmad, P.E.

**G. OTHERS**

1. This NOA **renews** NOA #**18-0116.02**, expiring on 06/10/24.



Ishaq I. Chanda, P.E.

Product Control Unit Supervisor

NOA No. 19-0318.02

Expiration Date: June 10, 2024

Approval Date: April 11, 2019

**NOTICE OF ACCEPTANCE: EVIDENCE SUBMITTED**


**GREEN SUSTAINABLE ATTRIBUTES (GSA)**

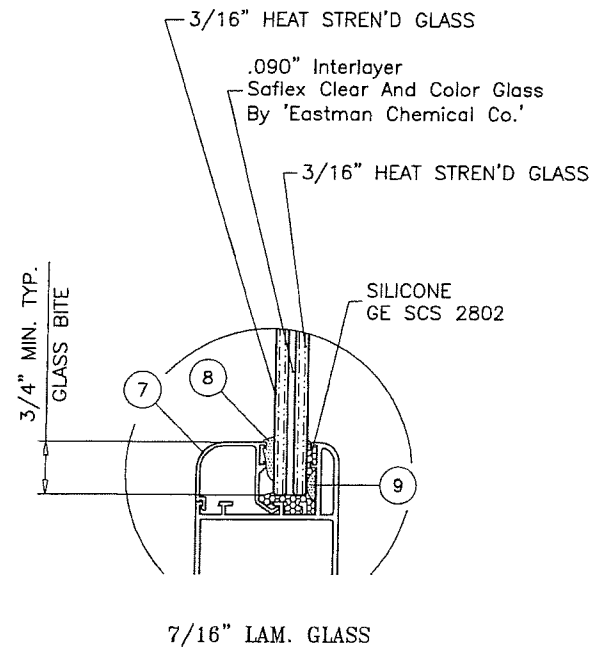
**SCOPE:** This document is solely for the purpose of verification of Sustainable Attributes of construction materials. The documentation submitted has been reviewed by Miami-Dade County Product Control.

<b>G.8 – U-FACTOR ( THERMAL TRANSMITTANCE) BTU/ HR-FT<sup>2</sup>-<sup>0</sup>F</b>							
<b>G.9 – SHGC-FACTOR ( SOLAR HEAT GAIN COEFFICIENT) BTU/ HR-FT<sup>2</sup></b>							
<b>VT – VISIBLE LIGHT TRANSMITTANCE AT NORMAL INCIDENCE</b>							
<b>CR – CONDENSATION RESISTANCE</b>							
<b>ID#</b>	<b>Test Report#:</b>	<b>Glazing Components:</b>	<b>G.8: U-Factor</b>	<b>G.9: SHGC</b>	<b>VT</b>	<b>CR</b>	<b>Glass Type Approved in this NOA Approval</b>
	<b>Base line Product</b>	3/16” LoE 340-ARG-3/16” CLR-090 PVB-3/16” CLR	0.63	-	-	-	No
1.	<b>Fenestration Testing Laboratory #8367</b>	3/16” LoE 366-ARG-3/16” CLR-090 PVB-3/16” CLR	0.63	0.14	0.22	20	No
2.		3/16” LoE 366-ARG-3/16” CLR-090 PVB-3/16” CLR	0.63	0.20	0.37	20	No
3.		3/16” LoE-ARG-3/16” CLR-090 PVB-3/16” i89	0.59	0.19	0.37	19	No
4.		3/16” CLR-ARG-3/16” CLR-090 PVB-3/16” CLR	0.74	0.45	0.47	19	No
		3/16” CLR-ARG-3/16” CLR-030 PVB-030 BRZ PVB-030 CLR PVB-3/16” CLR	0.74	0.42	0.26	19	No
		3/16” CLR-ARG-3/16” CLR-030 PVB-030 GRY PVB-030 CLR PVB-3/16” CLR	0.74	0.42	0.023	19	No
5.		3/16” LoE 366- 090 PVB-3/16” i89	0.83	0.22	0.36	10	Yes
6.		3/16” LoE 340- 090 PVB-3/16” i89	0.83	0.17	0.22	10	Yes
7.		3/16” CLR-3/16” CLR-030 PVB-030 BRZ PVB-030 CLR PVB-3/16” CLR	1.04	0.28	0.04	16	No
		3/16” CLR-090 PVB CLR-3/16” CLR	1.04	0.48	0.52	16	Yes
		3/16” CLR-3/16” CLR-030 PVB-030 GRY PVB-030 CLR PVB-3/16” CLR	1.04	0.31	0.07	16	No
8.	3/16” Solexia-090 PVB-3/16” CLR	1.04	0.40	0.47	16	Yes	
9.	3/16” LoE 366-090 PVB-3/16” CLR	1.04	0.24	0.37	16	Yes	
10.	3/16” LoE 340-090 PVB-3/16” CLR	1.04	0.21	0.22	16	Yes	
11.	3/16” GRY-090 PVB-3/16” LoE366	1.04	0.26	0.21	16	Yes	

<b>Legend</b>	
<b>Abbreviations:</b>	<b>Description:</b>
SS-D	Desiccant-Filled Stainless Steel Spacer
240#2	Cardinal Low E 240 @ #2 Surface Typical
ARG	90% Argon
PVB	0.090” Polyvinyl Butryal (PVB) interlayer
CLR	Clear Glass
BRZ	Bronze Tint Glass
GRN	Green Tint Glass
GRY	Gray Tint Glass
LoE	Low E Coating

Low E Coatings Used:      Cardinal LoE 340      e=0.028  
    Cardinal LoE 366      e=0.022  
    Cardinal LoE i89      e=0.149

  
**Ishaq I. Chanda, P.E.**  
 Product Control Unit Supervisor  
 NOA No. 19-0318.02  
 Expiration Date: June 10, 2024  
 Approval Date: April 11, 2019



**GLAZING DETAIL**

THESE DOORS ARE RATED FOR LARGE & SMALL MISSILE IMPACT. SHUTTERS ARE NOT REQUIRED.

**ALUMINUM SINGLE OUTSWING ENTRANCE DOOR**

THIS PRODUCT HAS BEEN DESIGNED AND TESTED TO COMPLY WITH THE REQUIREMENTS OF THE 2017 (6TH EDITION) FLORIDA BUILDING CODE INCLUDING HIGH VELOCITY HURRICANE ZONE (HVHZ).

1BY OR 2BY WOOD BUCKS & BUCK FASTENERS BY OTHERS, MUST BE DESIGNED AND INSTALLED ADEQUATELY TO TRANSFER APPLIED PRODUCT LOADS TO THE BUILDING STRUCTURE.

ANCHORS SHALL BE CORROSION RESISTANT, SPACED AS SHOWN ON DETAILS AND INSTALLED PER MANUF'S INSTRUCTIONS. SPECIFIED EMBEDMENT TO BASE MATERIAL SHALL BE BEYOND WALL DRESSING OR STUCCO.

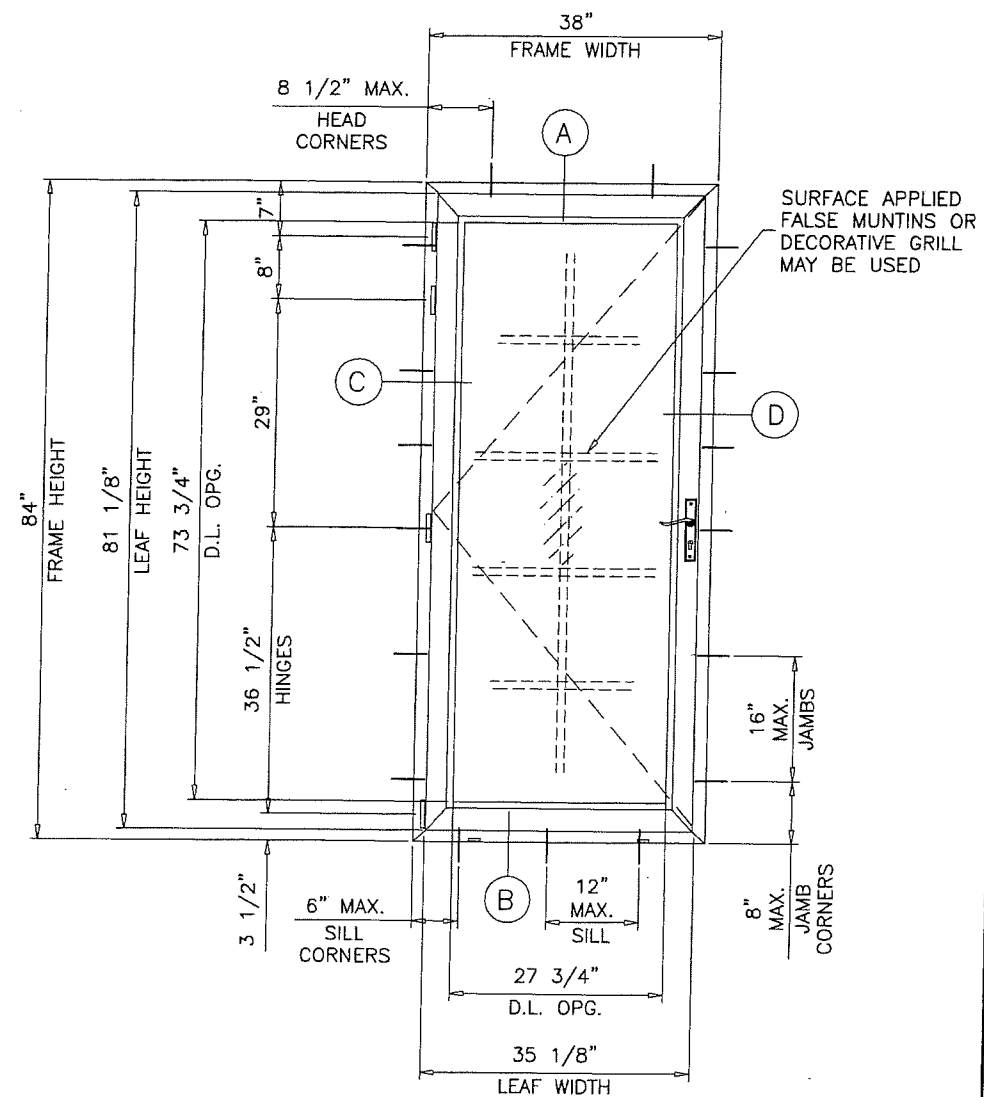
A LOAD DURATION INCREASE IS USED IN DESIGN OF ANCHORS INTO WOOD ONLY.

ALL SHIMS TO BE HIGH IMPACT, NON-METALLIC AND NON-COMPRESSIBLE.

MATERIALS INCLUDING BUT NOT LIMITED TO STEEL/METAL SCREWS, THAT COME INTO CONTACT WITH OTHER DISSIMILAR MATERIALS SHALL MEET THE REQUIREMENTS OF THE 2017 FLORIDA BLDG. CODE & ADOPTED STANDARDS.

THIS PRODUCT APPROVAL IS GENERIC AND DOES NOT PROVIDE INFORMATION FOR A SITE SPECIFIC PROJECT, i.e. LIFE SAFETY OF THIS PRODUCT, ADEQUACY OF STRUCTURE RECEIVING THIS PRODUCT AND SEALING AROUND OPENING FOR WATER INFILTRATION RESISTANCE ETC. CONDITIONS NOT SHOWN IN THIS DRAWING ARE TO BE ANALYZED SEPARATELY, AND TO BE REVIEWED BY BUILDING OFFICIAL.

DOORS APPROVED FOR INSTALLATIONS WHERE WATER INFILTRATION RESISTANCE IS REQUIRED.



**TYPICAL ELEVATION**

MAXIMUM DESIGN LOAD RATING = + 70.0 PSF (FOR MAX. SIZE SHOWN ABOVE OR SMALLER) - 75.0 PSF AS PERMITTED BY FBC REQUIREMENTS

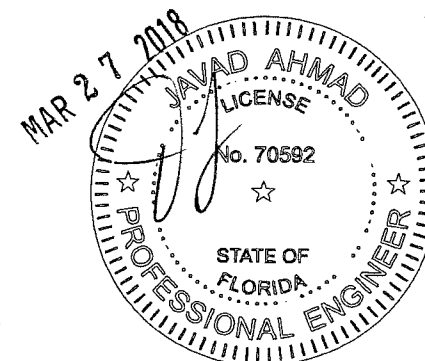
**PRODUCT RENEWED**  
 as complying with the Florida Building Code  
 Acceptance No. 19-0318-02  
 Expiration Date JUNE 10, 2024  
 By Ishay I. Chank  
 Miami-Dade Product Control

NOTE:  
 GLASS CAPACITIES ON THIS SHEET ARE BASED ON ASTM E1300-09 (3 SEC. GUSTS) AND FLORIDA BUILDING COMMISSION DECLARATORY STATEMENT DCA05-DEC-219

NOTE:  
 APPLICABLE EGRESS REQUIREMENTS TO BE REVIEWED BY AHJ.

**PRODUCT REVISED**  
 as complying with the Florida Building Code  
 NOA-No. 18-0116.02  
 Expiration Date 06/10/2019  
 By [Signature]  
 Miami-Dade Product Control

GLASS D.L.O. FORMULAE:  
 D.L.O. WIDTH = FRAME WIDTH - 10.250"  
 D.L.O. HEIGHT = FRAME HEIGHT - 10.250"

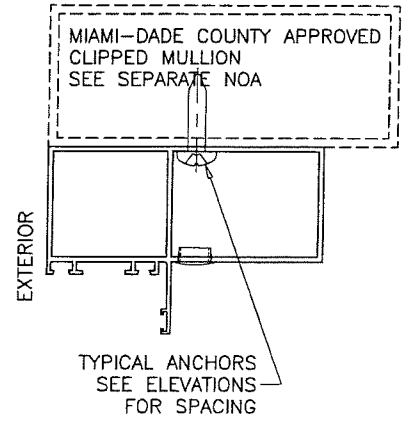
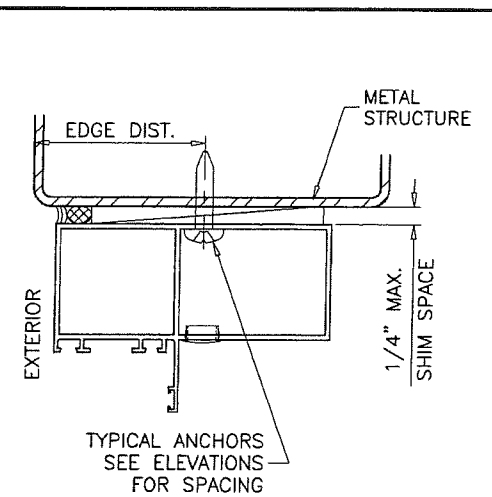
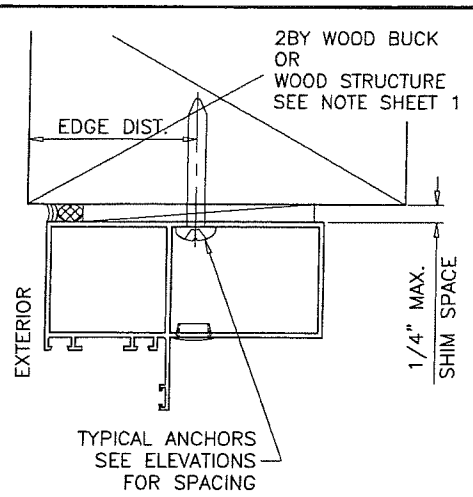
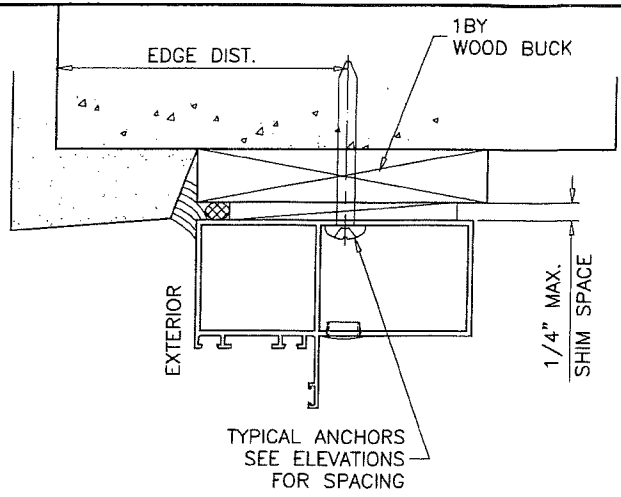
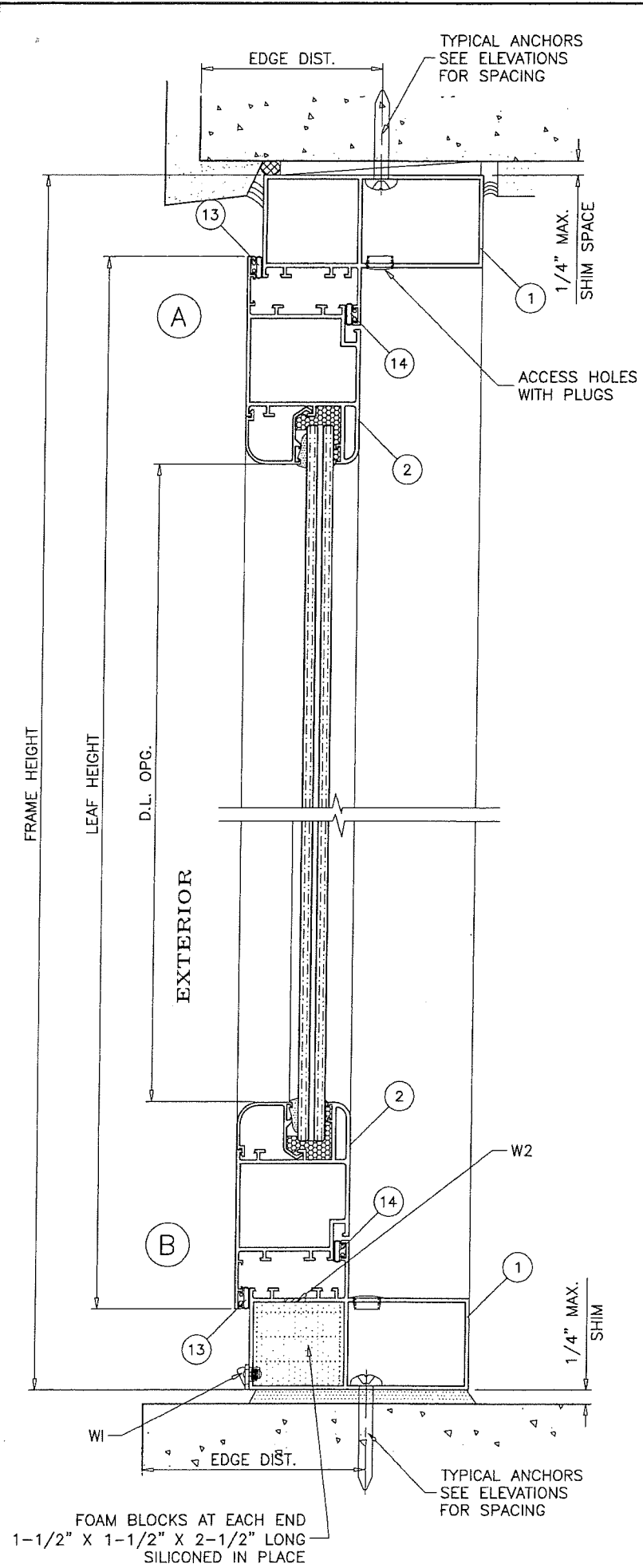


**af c**  
**AL-FAROOQ CORPORATION**  
 ENGINEERS & PRODUCT DEVELOPMENT  
 9360 SUNSET DRIVE, SUITE 220  
 MIAMI, FLORIDA 33173 (C.A.N. 3538)  
 TEL. (305) 262-8100 FAX. (305) 262-8978  
 COMP-ANL W15-26EII

ALUM SINGLE OUTSWING ENTRANCE DOOR (L.M.I.)  
**Eurotech Industries Inc.**  
 4201 N.E. 12th Terrace  
 Oakland Park, Florida 33334  
 Tel. (954) 630-9967 Fax. (954) 630-0217

no	date	by	description
A	12.27.17		UPDATED TO 2017 FBC
B	03.27.18		REVISED PER R.E.R COMMENTS

date: 06-25-15  
 scale: 1/2"=1'-0"  
 dr. by: TARIQ  
 chk. by:  
 drawing no. W15-26  
 sheet 1 of 4



WOOD BUCKS AND METAL STRUCTURE NOT BY EUROTECH MUST SUSTAIN LOADS IMPOSED BY GLAZING SYSTEM AND TRANSFER THEM TO THE BUILDING STRUCTURE.

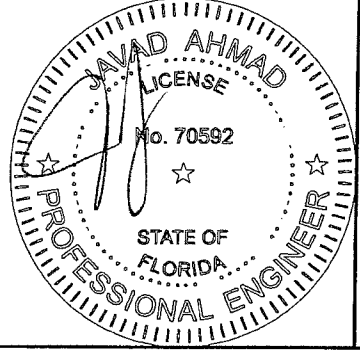
**TYPICAL ANCHORS:** SEE ELEV. FOR SPACING  
 1/4" DIA. ULTRACON BY 'ELCO' (Fu=177 KSI, Fy=155 KSI)  
 INTO 2BY WOOD BUCKS OR WOOD STRUCTURES  
 1-1/2" MIN. PENETRATION INTO WOOD (HEAD/JAMBS)  
 THRU 1BY BUCKS INTO CONC. OR BLOCKS  
 1-1/4" MIN. EMBED INTO CONCRETE (HEAD/JAMBS)  
 1-1/4" MIN. EMBED INTO BLOCKS (JAMBS)  
 DIRECTLY INTO CONCRETE OR BLOCKS  
 1-1/4" MIN. EMBED INTO CONCRETE (HEAD/SILL/JAMBS)  
 1-1/4" MIN. EMBED INTO BLOCKS (JAMBS)  
 #14 SMS OR SELF-DRILLING SCREWS (GRADE 2 CRS)  
 INTO MIAMI-DADE COUNTY APPROVED MULLIONS  
 OR  
 INTO METAL STRUCTURES (HEAD/JAMBS)  
 (3) THREADS MIN. TO EXTEND BEYOND METAL THICKNESS  
 ALUMINUM: 1/8" THK. MIN. (6063-T5 MIN.)  
 STEEL: 1/8" THK. MIN. (Fy = 36 KSI MIN.)  
 (STEEL IN CONTACT WITH ALUMINUM TO BE PLATED OR PAINTED)

**CRITICAL EDGE DISTANCE**  
 INTO CONCRETE AND BLOCKS = 2-1/2" MIN.  
 INTO WOOD STRUCTURE = 1" MIN.  
 INTO METAL STRUCTURE = 3/4" MIN.  
 WOOD AT HEAD OR JAMBS SG = 0.55 MIN.  
 CONCRETE AT HEAD, SILL OR JAMBS f'c = 3000 PSI MIN.  
 C-90 HOLLOW/FILLED BLOCK AT JAMBS f'm = 2000 PSI MIN.

**WEEPHOLES:**  
 W1 = 1/4" X 1-1/2" WEEPHOLES WITH PLASTIC BAFFLE AT 8" FROM EACH END  
 W2 = 1/2" WEEPHOLES AT 6" FROM EACH END AND AT MIDSPAN

**PRODUCT RENEWED**  
 as complying with the Florida  
 Building Code  
 Acceptance No. 19-0318-02  
 Expiration Date 6/10/2024  
 By: Ishag L. Chande  
 Miami Dade Product Control

MAR 27 2018



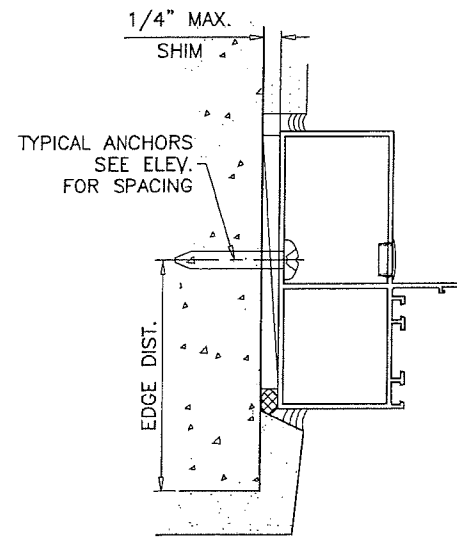
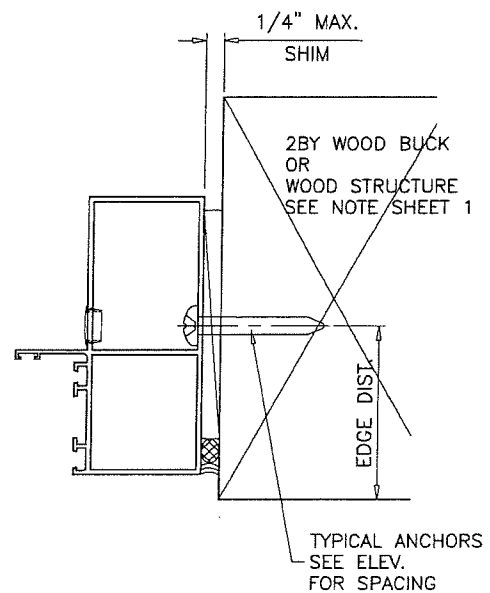
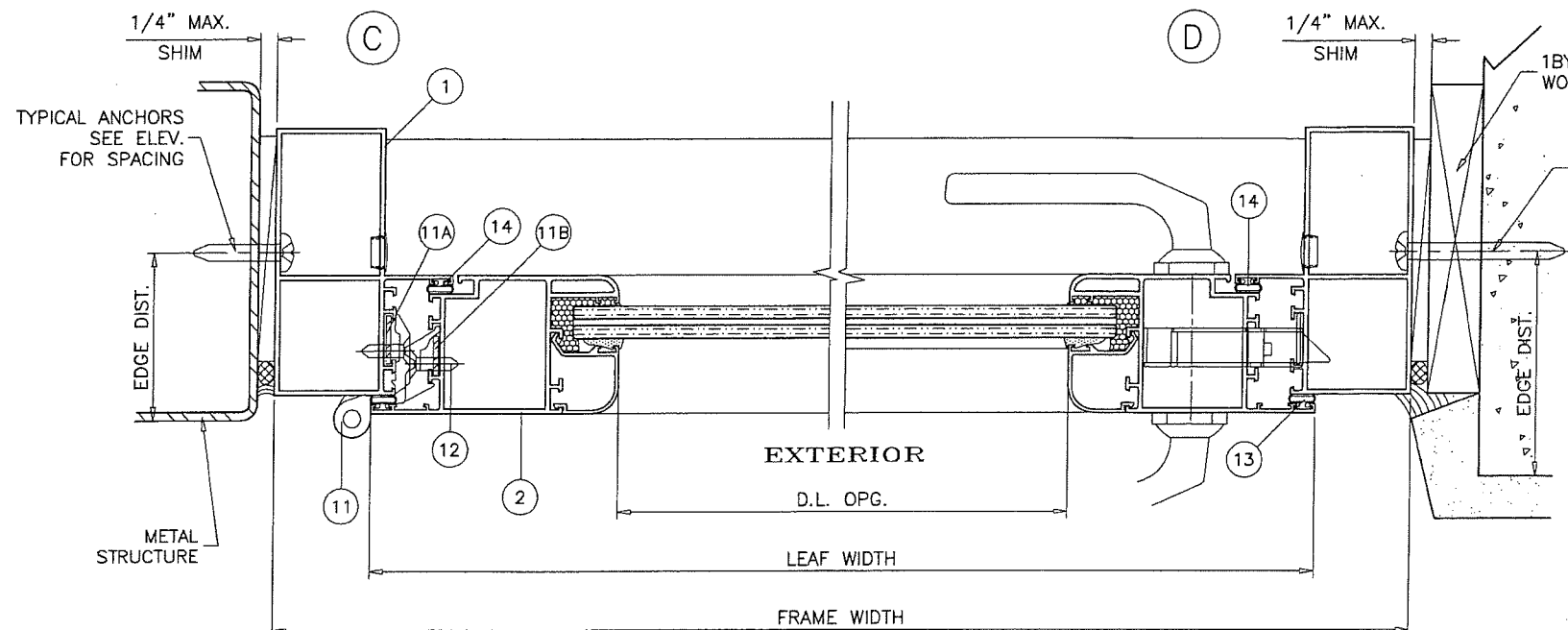
**PRODUCT REVISED**  
 as complying with the Florida  
 Building Code  
 NOA-No. 18-0116.02  
 Expiration Date 06/10/2019  
 By: [Signature]  
 Miami-Dade Product Control

**af c**  
**AL-FAROOQ CORPORATION**  
 ENGINEERS & PRODUCT DEVELOPMENT  
 9360 SUNSET DRIVE, SUITE 220  
 MIAMI, FLORIDA 33173 (C.A.N. 3538)  
 TEL. (305) 264-8100 FAX. (305) 262-6978  
 COMP-ANL\W15-26EII

ALUM SINGLE OUTSWING ENTRANCE DOOR (L.M.I.)  
 Eurotech Industries Inc.  
 4201 N.E. 12th Terrace  
 Oakland Park, Florida 33334  
 Tel. (954) 630-9967 Fax. (954) 630-0217

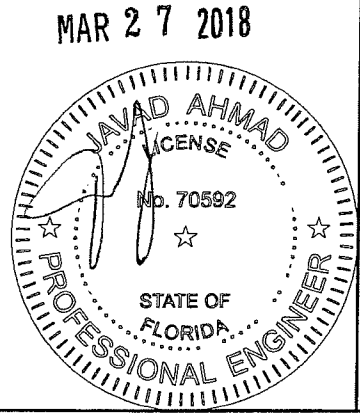
no	date	description
A	12.27.17	UPDATED TO 2017 FBC
B	03.27.18	REVISED PER R.E.R COMMENTS

date: 06-25-15  
 scale: 3/8" = 1"  
 dr. by: TARIQ  
 chk. by:  
 drawing no. W15-26  
 sheet 2 of 4



**PRODUCT RENEWED**  
 as complying with the Florida  
 Building Code  
 Acceptance No. 19-0318-02  
 Expiration Date 6/10/2024  
 By [Signature]  
 Miami Dade Product Control

**PRODUCT REVISED**  
 as complying with the Florida  
 Building Code  
 NOA-No. 18-0116.02  
 Expiration Date 06/10/2019  
 By [Signature]  
 Miami-Dade Product Control



MAR 27 2018

**af c**  
**AL-FAROOQ CORPORATION**  
 ENGINEERS & PRODUCT DEVELOPMENT  
 9360 SUNSET DRIVE, SUITE 220  
 MIAMI, FLORIDA 33173 (C.A.N. 3538)  
 TEL. (305) 264-8100 FAX. (305) 262-6978  
 COMP-ANL\W15-26EII

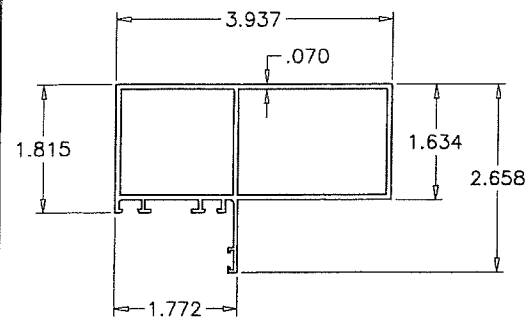
ALUM SINGLE OUTSWING ENTRANCE DOOR (L.M.I.)  
 Eurotech Industries Inc.  
 4201 N.E. 12th Terrace  
 Oakland Park, Florida 33334  
 Tel. (954) 630-9967 Fax. (954) 630-0217

no	date	by	description
A	12.27.17		UPDATED TO 2017 FBC
B	03.27.18		REVISED PER R.E.R COMMENTS

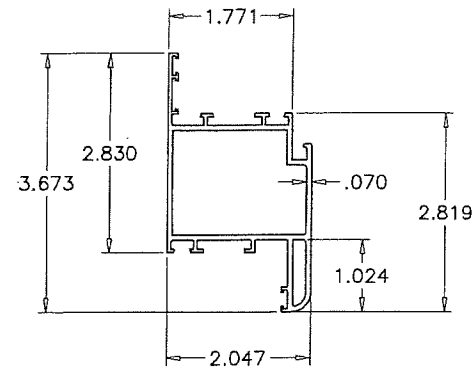
date:	06-25-15
scale:	3/8" = 1"
dr. by:	TARIO
chk. by:	

drawing no.  
**W15-26**  
 sheet 3 of 4

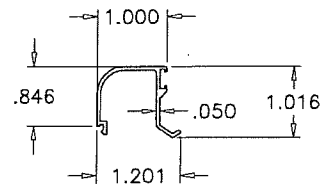




1 DOOR FRAME



2 DOOR LEAF



7 GLAZING BEAD (LAM. GLASS)

**SEALANTS:**

ALL FRAME AND LEAF CORNERS AND JOINTS SEALED WITH ADSEL OR TEKNA 50729 SEALANTS.

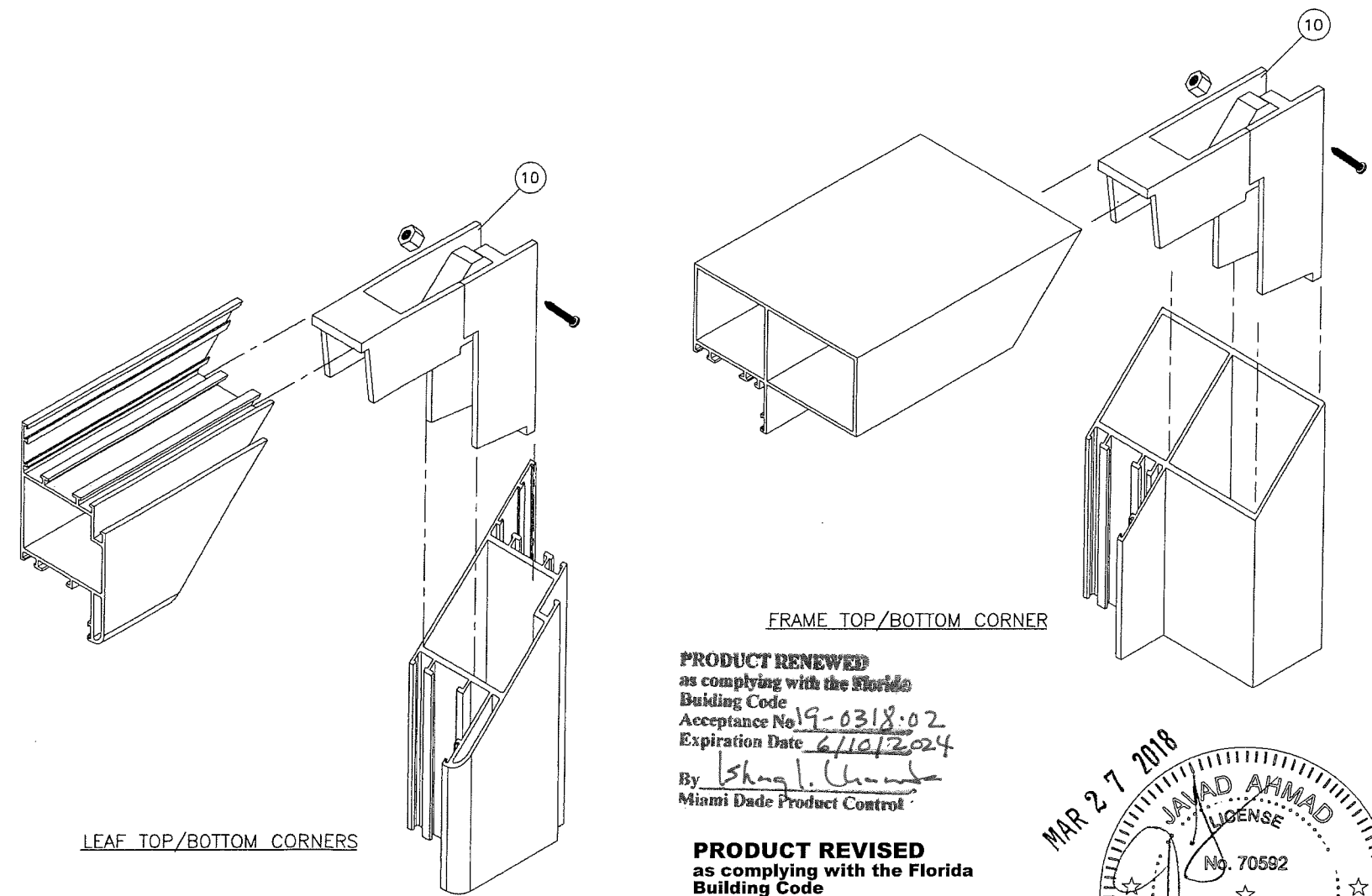
**LOCKS:**

SINGLE POINT MORTISE LOCK WITH SWING BOLT BY 'CISA' LOCATED AT 35-1/2" FROM BOTTOM FASTENED TO LOCK STILE WITH (2) #8 X 3/8" FH SMS ALUMINUM STRIKE PLATE BY 'CISA' FACING LOCK (1" WIDE X .295" THK. X 9" LONG) FASTENED TO FRAME JAMB WITH (2) #10 X 1" FH SMS

**HINGES:**

TWO HANDED COMB HINGE EXTRUDED ALUMINUM BRIDGE 2 BY 'GIESSE' 4 HINGES PER LEAF SEE ELEVATION FOR SPACING HINGES FASTENED WITH #10 X 3/8" FH SMS (2) SCREWS AT HINGE STILE (2) SCREWS AT FRAME JAMB

ITEM #	PART #	REQD.	DESCRIPTION	MATERIAL	MANF./SUPPLIER/REMARKS
1	ER006	AS REQD.	DOOR FRAME	6063-T6	-
2	ER012	AS REQD.	DOOR LEAF	6063-T6	-
6	-	AS REQD.	SETTING BLOCKS AT 1/4 POINTS	EPDM	DUROMETER 80±5 SHORE A
7	VZ-1535	4/ LEAF	GLAZING BEAD (LAM. GLASS)	6063-T6	-
8	2801	AS REQD.	GLAZING GASKET	EPDM	DUROMETER 75±5 SHORE A
9	-	AS REQD.	SILICONE SPACER	EPDM	-
10	1001/50	1/ CORNER	CORNER KEY	ALUMINUM	MONTICELLO
11	00600X	4/ LEAF	HINGES	ALUMINUM	GIESSE
11A	-	1/ HINGE	FIXING PLATE AT FRAME JAMB	STEEL	.537" X .071" X 3.665" LONG
11B	-	1/ HINGE	FIXING PLATE AT HINGE STILE	STEEL	.452" X .071" X 1.728" LONG
12	#10 X 3/8"	4/ HINGE	HINGE INSTALLATION SCREWS	-	PH MACHINE SCREWS
13	03030	AS REQD.	BULB W'STRIPPING AT LEAF	-	-
14	03017	AS REQD.	BULB W'STRIPPING AT FRAME	-	-
15	#12 X 1-1/4	-	FRAME ASSEMBLY SCREWS	-	SMS

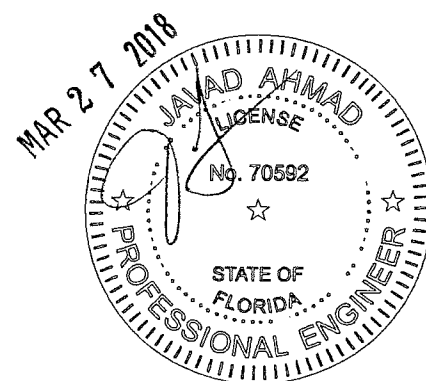


FRAME TOP/BOTTOM CORNER

LEAF TOP/BOTTOM CORNERS

**PRODUCT RENEWED**  
as complying with the Florida  
Building Code  
Acceptance No. 19-0318.02  
Expiration Date 6/10/2024  
By *Shahid Usman*  
Miami Dade Product Control

**PRODUCT REVISED**  
as complying with the Florida  
Building Code  
NOA-No. 18-0116.02  
Expiration Date 06/10/2019  
By *[Signature]*  
Miami-Dade Product Control



**AL-FAROOQ CORPORATION**  
ENGINEERS & PRODUCT DEVELOPMENT  
9360 SUNSET DRIVE, SUITE 220  
MIAMI, FLORIDA 33173  
TEL. (305) 262-6978  
FAX. (305) 262-6978  
(C.A.N. 9538)

ALUM SINGLE OUTSWING ENTRANCE DOOR (L.M.I.)  
**Eurotech Industries Inc.**  
4201 N.E. 12th Terrace  
Oakland Park, Florida 33334  
Tel. (954) 630-9967 Fax. (954) 630-0217

Revisions:

no	date	by	description
A	12.27.17		UPDATED TO 2017 FBC
B	03.27.18		REVISED PER R.E.R COMMENTS

date:	06-25-15
scale:	3/8" = 1"
dr. by:	TARIQ
chk. by:	

drawing no.  
**W15-26**  
sheet 4 of 4

COMP-ANL W15-26EII