



MIAMI-DADE COUNTY
PRODUCT CONTROL SECTION
 11805 SW 26 Street, Room 208
 Miami, Florida 33175-2474
 T (786) 315-2590 F (786) 315-2599
www.miamidade.gov/economy

DEPARTMENT OF REGULATORY AND ECONOMIC RESOURCES (RER)
 BOARD AND CODE ADMINISTRATION DIVISION
NOTICE OF ACCEPTANCE (NOA)

Eurotech Industries, Inc.
 4201 NE 12 Terrace
 Oakland Park, FL 33334

SCOPE:

This NOA is being issued under the applicable rules and regulations governing the use of construction materials. The documentation submitted has been reviewed and accepted by Miami-Dade County RER -Product Control Section to be used in Miami Dade County and other areas where allowed by the Authority Having Jurisdiction (AHJ).

This NOA shall not be valid after the expiration date stated below. The Miami-Dade County Product Control Section (In Miami Dade County) and/or the AHJ (in areas other than Miami Dade County) reserve the right to have this product or material tested for quality assurance purposes. If this product or material fails to perform in the accepted manner, the manufacturer will incur the expense of such testing and the AHJ may immediately revoke, modify, or suspend the use of such product or material within their jurisdiction. RER reserves the right to revoke this acceptance, if it is determined by Miami-Dade County Product Control Section that this product or material fails to meet the requirements of the applicable building code.

This product is approved as described herein, and has been designed to comply with the Florida Building Code, including the High Velocity Hurricane Zone.

DESCRIPTION: Series “ Tradewind” Single Outswing Aluminum Entrance Door w/ SHW-LMI

APPROVAL DOCUMENT: Drawing No. **W10-06 Rev E**, titled “Tradewind Alum Outswing Ent. Door (L.M.I.)”, sheets 1 through 6 of 6, dated 02/17/10 and last revised on JAN 15, 2018, prepared by Al-Farooq Corporation, signed and sealed by Javad Ahmad, P.E., bearing the Miami-Dade County Product Control Renewal stamp with the Notice of Acceptance number and expiration date by the Miami-Dade County Product Control Section.

MISSILE IMPACT RATING: Large and Small Missile Impact

LABELING: Each unit shall bear a permanent label with the manufacturer's name or logo, city, state and series and following statement: "Miami-Dade County Product Control Approved", noted herein.

RENEWAL of this NOA shall be considered after a renewal application has been filed and there has been no change in the applicable building code negatively affecting the performance of this product.

TERMINATION of this NOA will occur after the expiration date or if there has been a revision or change in the materials, use, and/or manufacture of the product or process. Misuse of this NOA as an endorsement of any product, for sales, advertising or any other purposes shall automatically terminate this NOA. Failure to comply with any section of this NOA shall be cause for termination and removal of NOA.

ADVERTISEMENT: The NOA number preceded by the words Miami-Dade County, Florida, and followed by the expiration date may be displayed in advertising literature. If any portion of the NOA is displayed, then it shall be done in its entirety.

INSPECTION: A copy of this entire NOA shall be provided to the user by the manufacturer or its distributors and shall be available for inspection at the job site at the request of the Building Official.

This NOA **renews NOA # 18-0122.15** and consists of this page 1 and evidence pages E-1, E-2 and E-3, as well as approval document mentioned above.

The submitted documentation was reviewed by **Ishaq I. Chanda, P. E.**



NOA No. 19-0318.03
 Expiration Date: June 10, 2024
 Approval Date: April 11, 2019
 Page 1

4/2/19

NOTICE OF ACCEPTANCE: EVIDENCE SUBMITTED

1. EVIDENCE SUBMITTED UNDER PREVIOUS NOA'S

A. DRAWINGS

1. Manufacturer's die drawings and sections.
(Submitted under previous NOA's# 12-0207.04 and 10-0322.13)
2. Drawing No. **W10-06 Rev D**, titled "Tradewind Alum. Outswing Ent. Door (L.M.I.)", sheets 1 through 6 of 6, dated 02/17/10 and last revised on 02/09/16, prepared by Al-Farooq Corporation, signed and sealed by Javad Ahmad, P.E.

B. TESTS

1. Test reports on 1) Air Infiltration Test, per FBC, TAS 202-94
2) Uniform Static Air Pressure Test, Loading per FBC, TAS 202-94
3) Water Resistance Test per FBC, TAS 202-94
4) Forced Entry Test, per FBC 2411 3.2.1 and TAS 202-94
5) Large Missile Impact Test per FBC, TAS 201-94
6) Cyclic Wind Pressure Loading per FBC, TAS 203-94
along with installation diagram of aluminum outswing door, prepared by American Test Lab of South Florida, Test Report No(s). **ATLSF 0304.01-15**, dated 05/26/15, signed and sealed by Stephen Warter, P.E. *(Submitted under NOA 15-0707.02)*

2. Test reports on 1) Air Infiltration Test, per FBC, TAS 202-94
2) Uniform Static Air Pressure Test, Loading per FBC, TAS 202-94
3) Water Resistance Test per FBC, TAS 202-94
4) Forced Entry Test, per FBC 2411 3.2.1 and TAS 202-94
5) Large Missile Impact Test per FBC, TAS 201-94
6) Cyclic Wind Pressure Loading per FBC, TAS 203-94
along with marked-up drawings and installation diagram of aluminum outswing door, prepared by Hurricane Engineering & Testing, Inc., Test Reports No.'s **HETI-10-3004, HETI-10-3005, HETI-10-3006, HETI-10-3007** and **HETI-09-2563**, dated 02/11-12/10 and Test Reports No.'s **HETI-08-2021, HETI-08-2022, HETI-08-2023** and **HETI-08-2024**, all dated 03/15/08, all signed and sealed by Candido Font, P.E. *(Submitted under NOA's# 12-0207.04 and 10-0322.13)*

3. Test reports on 1) Air Infiltration Test, per FBC, TAS 202-94
2) Uniform Static Air Pressure Test, Loading per FBC, TAS 202-94
3) Water Resistance Test per FBC, TAS 202-94
4) Forced Entry Test, per FBC 2411 3.2.1 and TAS 202-94
5) Large Missile Impact Test per FBC, TAS 201-94
6) Cyclic Wind Pressure Loading per FBC, TAS 203-94
7) Tensile Test, per FBC, ASTM E8-01

along with marked-up drawings and installation diagram of aluminum outswing door, prepared by Hurricane Engineering & Testing, Inc., Test Reports No.'s **HETI-03-1882, HETI-08-1889, HETI-08-1890, HETI-08-2024** and **HETI-04-T100**, all dated 01/15/04 through 02/09/04, all signed and sealed by Rafael E. Droz-Seda, P. E. *(Submitted under NOA No.04 -0428.03)*



Ishaq I. Chanda, P.E.
Product Control Unit Supervisor
NOA No. 19-0318.03
Expiration Date: June 10, 2024
Approval Date: April 11, 2019

NOTICE OF ACCEPTANCE: EVIDENCE SUBMITTED

C. CALCULATIONS

1. Anchor verification calculations, complying with FBC 2014, 5th edition, prepared by Al Farooq Corporation, dated 09/11/15, signed and sealed by Javad Ahmad, P.E.
2. Glazing complies w/ ASTM E-1300-09.

D. QUALITY ASSURANCE

1. Miami Dade Department of Regulatory and Economic Resources (RER).

E. MATERIAL CERTIFICATIONS

1. Notice of Acceptance No. **14-0916.11** issued to Kuraray America, Inc. for their “**Sentry Glass ® (Clear and White) Interlayer**”, expiring on 07/04/18.
2. Notice of Acceptance No. **14-0916.10** issued to Kuraray America, Inc. for their “**Kuraray Butacite PVB Glass Interlayer**”, expiring on 12/11/16.
3. Notice of Acceptance No. **14-0423.16** issued to Eastman Chemical Company, (MA) (former Solutia Inc.) for their “**Saflex HP Clear or Color Glass Interlayers**”, expiring on 04/14/18.

F. STATEMENTS

1. Statement letter of conformance to FBC 2014, 5th edition & no financial interest, prepared by Al Farooq Corporation, dated 09/08/15, signed and sealed by Javad Ahmad, P.E.
2. Lab compliance as part of the above referenced test reports.

G. OTHER

1. Notice of Acceptance No. **14-0303.10**, issued to Eurotech Industries, Inc. for their **Series “Tradewind” Single Outswing Aluminum Entrance Door w/ SHW-LMI.**”, approved on 05/15/14 and expiring on 06/10/19.

2. EVIDENCE SUBMITTED under file #15-0916.14

A. DRAWINGS

1. Drawing No. **W10-06 Rev E**, titled “Tradewind Alum Outswing Ent. Door (L.M.I.)”, sheets 1 through 6 of 6, dated 02/17/10 and last revised on 01/08/18, prepared by Al-Farooq Corporation, signed and sealed by Javad Ahmad, P.E.

B. TESTS

1. None.

C. CALCULATIONS

1. None.

D. QUALITY ASSURANCE

1. Miami Dade Department of Regulatory and Economic Resources (RER).



Ishaq I. Chanda, P.E.
Product Control Unit Supervisor
NOA No. 19-0318.03
Expiration Date: June 10, 2024
Approval Date: April 11, 2019

NOTICE OF ACCEPTANCE: EVIDENCE SUBMITTED

E. MATERIAL CERTIFICATIONS

1. Notice of Acceptance No. **17-0808.02** issued to Kuraray America, Inc. for their “**Sentry lass ® (Clear and White) Interlayer**”, expiring on 07/04/23.
2. Notice of Acceptance No. **17-1114.14** issued to Kuraray America, Inc. for their “**Trosifol® Ultraclear, Clear and Color PVB Glass Interlayers**”, expiring on 07/08/19.
3. Notice of Acceptance No. **17-0712.04** issued to Eastman Chemical Company, (MA) for their “**Saflex HP Clear or Color Glass Interlayers**”, expiring on 04/14/18.

F. STATEMENTS

1. Statement letter of conformance to **FBC 6th Edition (2017)** & no financial interest, prepared by Al Farooq Corporation, dated 01/05/18, signed and sealed by Javad Ahmad, P.E.

G. OTHER

1. This NOA revises NOA #**15-0916.14**, expiring on 06/10/19.

3. NEW EVIDENCE SUBMITTED

A. DRAWINGS

1. Drawing No. **W10-06 Rev E**, titled “Tradewind Alum Outswing Ent. Door (L.M.I.)”, sheets 1 through 6 of 6, dated 02/17/10 and last revised on JAN 15, 2018, prepared by Al-Farooq Corporation, signed and sealed by Javad Ahmad, P.E.

B. TESTS

1. None.

C. CALCULATIONS

1. None.

D. QUALITY ASSURANCE

1. Miami Dade Department of Regulatory and Economic Resources (RER).

E. MATERIAL CERTIFICATIONS


1. Notice of Acceptance No. **17-0808.02** issued to Kuraray America, Inc. for their “**Sentry Glass ® (Clear and White) Interlayer**”, expiring on 07/04/23.
2. Notice of Acceptance No. **17-1114.14** issued to Kuraray America, Inc. for their “**Trosifol® Ultraclear, Clear and Color PVB Glass Interlayers**”, expiring on 07/08/19.
3. Notice of Acceptance No. **18-0301.05** issued to Eastman Chemical Company, (MA) for their “**Saflex HP Clear or Color Glass Interlayers**”, expiring on 04/14/23.

F. STATEMENTS

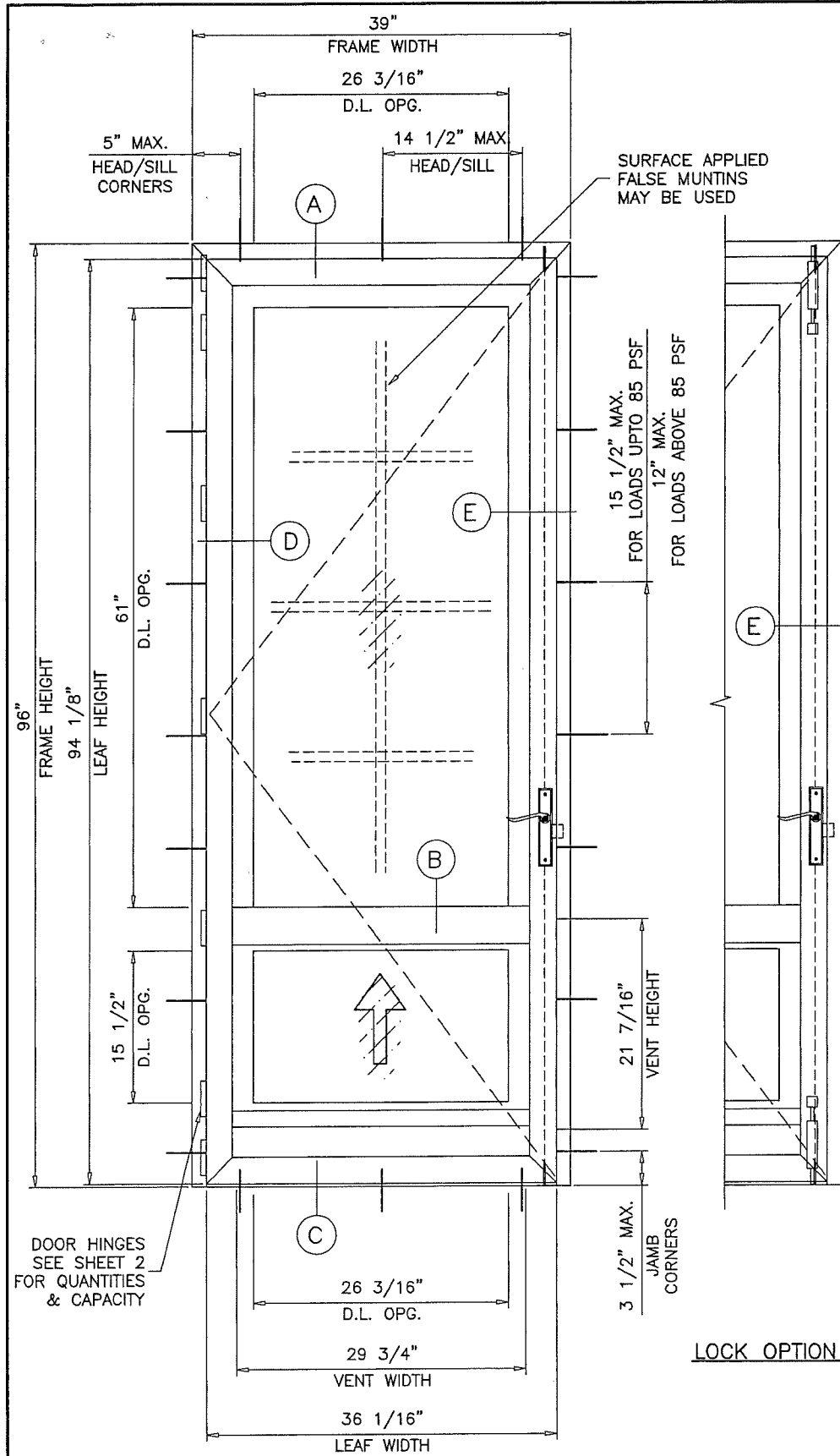
1. Statement letter of conformance to **FBC 6th Edition (2017)** & no financial interest, prepared by Al Farooq Corp, dated 02/28/19, signed & sealed by Javad Ahmad, P.E.

G. OTHER

1. This NOA renews NOA #**15-0916.14**, expiring on 06/10/24.

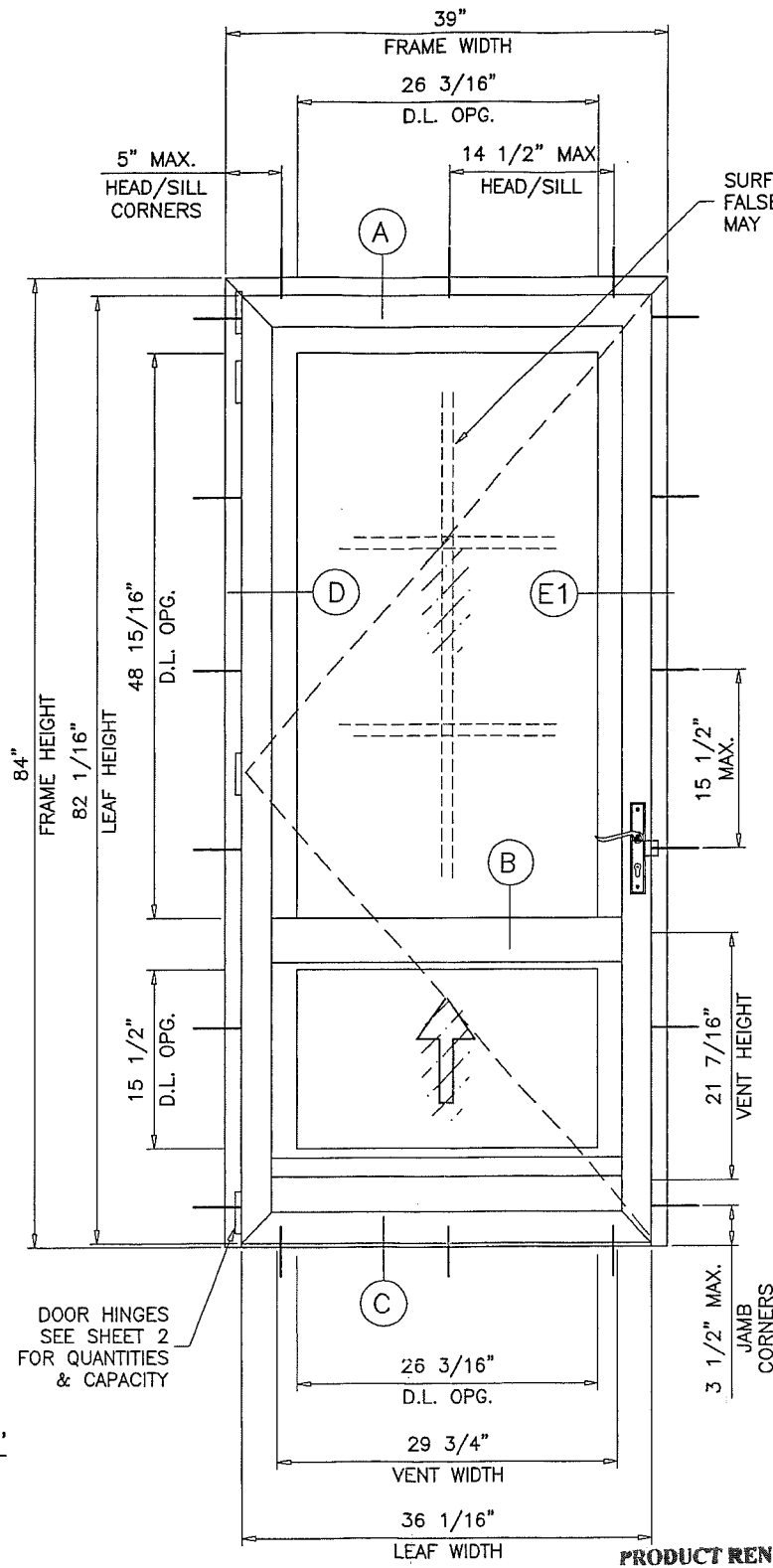


Ishaq I. Chanda, P.E.
Product Control Unit Supervisor
NOA No. 19-0318.03
Expiration Date: June 10, 2024
Approval Date: April 11, 2019



LOCK OPTION '1'

TYPICAL ELEVATIONS



LOCK OPTION '3'

THESE DOORS ARE RATED FOR LARGE & SMALL MISSILE IMPACT. SHUTTERS ARE NOT REQUIRED.

TRADEWIND ALUMINUM OUTSWING ENTRANCE DOOR

APPROVAL APPLIES TO SINGLE UNITS OR SIDE BY SIDE COMBINATIONS OF FRENCH DOOR/FRENCH DOOR OR FRENCH DOOR WITH OTHER DOOR TYPES IN MODULES OF TWO OR MORE DOORS USING MIAMI-DADE COUNTY APPROVED MULLIONS IN BETWEEN. LOWER DESIGN PRESSURE FROM DOORS OR MULLION APPROVAL WILL APPLY TO ENTIRE SYSTEM.

THIS PRODUCT HAS BEEN DESIGNED AND TESTED TO COMPLY WITH THE REQUIREMENTS OF THE 2017 (6TH EDITION) FLORIDA BUILDING CODE INCLUDING HIGH VELOCITY HURRICANE ZONE (HVHZ).

1BY OR 2BY WOOD BUCKS & BUCK FASTENERS BY OTHERS, MUST BE DESIGNED AND INSTALLED ADEQUATELY TO TRANSFER APPLIED PRODUCT LOADS TO THE BUILDING STRUCTURE.

ANCHORS SHALL BE CORROSION RESISTANT, SPACED AS SHOWN ON DETAILS AND INSTALLED PER MANUF'S INSTRUCTIONS. SPECIFIED EMBEDMENT TO BASE MATERIAL SHALL BE BEYOND WALL DRESSING OR STUCCO.

A LOAD DURATION INCREASE IS USED IN DESIGN OF ANCHORS INTO WOOD ONLY ALL SHIMS TO BE HIGH IMPACT, NON-METALLIC AND NON-COMPRESSIBLE.

MATERIALS INCLUDING BUT NOT LIMITED TO STEEL/METAL SCREWS, THAT COME INTO CONTACT WITH OTHER DISSIMILAR MATERIALS SHALL MEET THE REQUIREMENTS OF THE 2017 FLORIDA BLDG. CODE & ADOPTED STANDARDS.

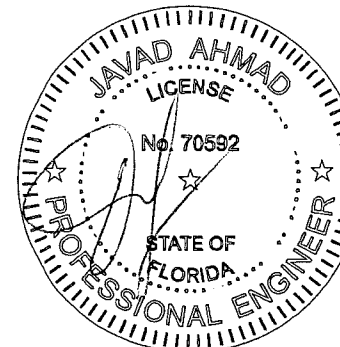
THIS PRODUCT APPROVAL IS GENERIC AND DOES NOT PROVIDE INFORMATION FOR A SITE SPECIFIC PROJECT, I.E. LIFE SAFETY OF THIS PRODUCT, ADEQUACY OF STRUCTURE RECEIVING THIS PRODUCT AND SEALING AROUND OPENING FOR WATER INFILTRATION RESISTANCE ETC. CONDITIONS NOT SHOWN IN THIS DRAWING ARE TO BE ANALYZED SEPARATELY, AND TO BE REVIEWED BY BUILDING OFFICIAL.

PRODUCT REVISED
as complying with the Florida Building Code
NOA-No. **18-0122.15**

Expiration Date **06/10/2019**

By *[Signature]*
Miami-Dade Product Control

PRODUCT RENEWED
as complying with the Florida Building Code
Acceptance No. **19-0318.03** **JAN 15 2018**
Expiration Date **JUNE 10, 2024**
By *[Signature]*
Miami Dade Product Control



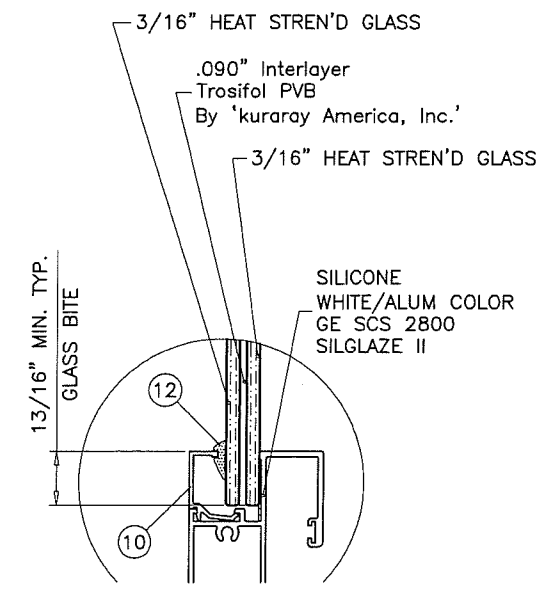
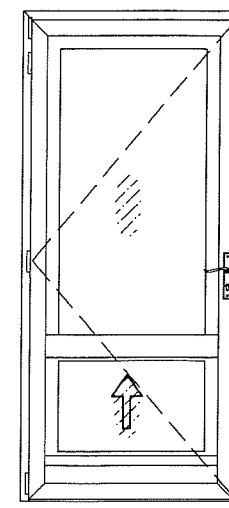
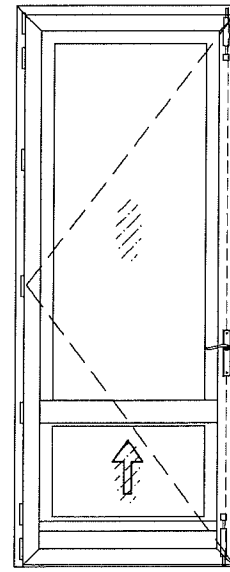
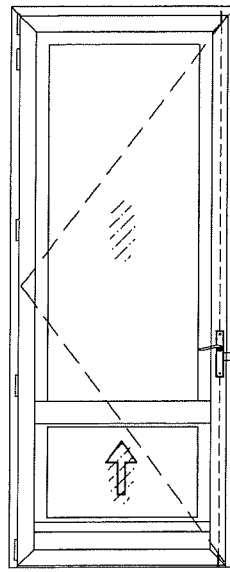
afC
AL-FAROOQ CORPORATION
ENGINEERS & PRODUCT DEVELOPMENT
9360 SUNSET DRIVE, SUITE 220
MIAMI, FLORIDA 33173 (C.A.N. 3638)
TEL. (305) 264-8100 FAX. (305) 262-6978
COMP-ANL\W10-06EWD

TRADEWIND ALUM OUTSWING ENT. DOOR (L.M.I.)
Eurotech Industries Inc.
4201 N.E. 12th Terrace
Oakland Park, Florida 33334
Tel. (954) 630-9967 Fax. (954) 630-0217

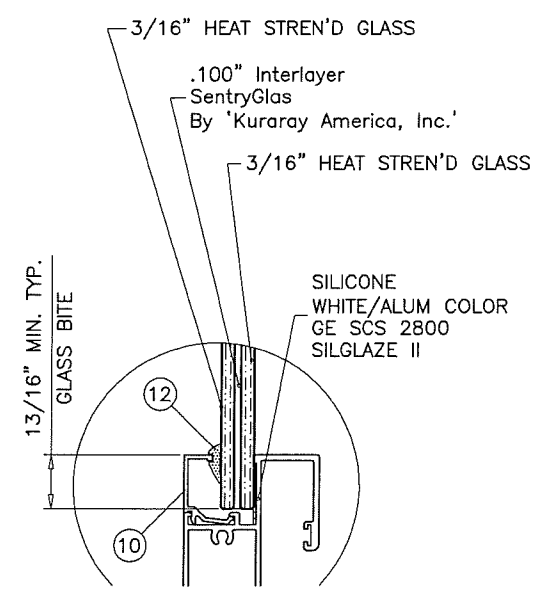
no	date	by	description
A	05.03.10		NO CHANGE THIS SHEET
B	11.11.11		UPDATED TO 2010 FBC
C	09.09.15		UPDATED TO 2014 FBC
D	02.09.16		LOCK OPTION ADDED
E	01.08.18		UPDATED TO 2017 FBC

date: 02-17-10
scale: 3/4"=1'-0"
dr. by: TARIQ
chk. by:

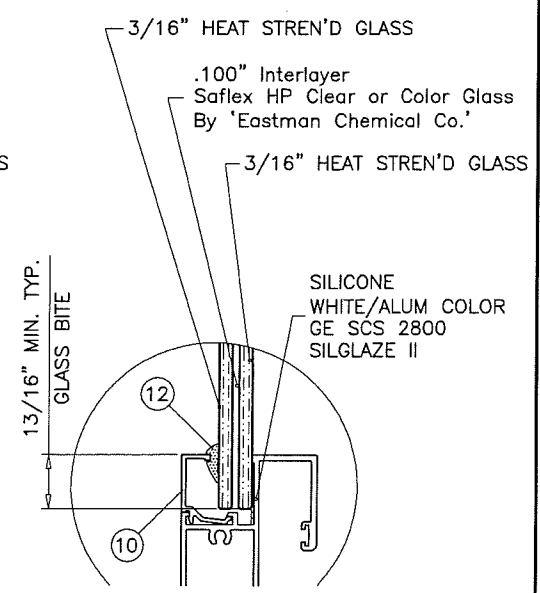
drawing no.
W10-06
sheet 1 of 6



GLASS TYPE 'A'



GLASS TYPE 'B'

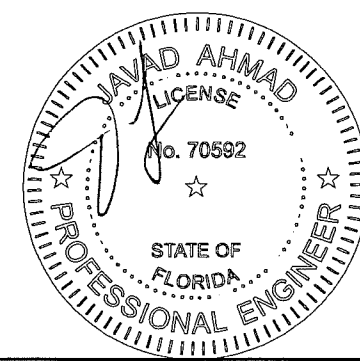


GLASS TYPE 'C'

GLAZING OPTIONS

PRODUCT RENEWED
 as complying with the Florida
 Building Code
 Acceptance No. 19-0318.03
 Expiration Date 6/10/2024
 By *[Signature]*
 Miami-Dade Product Control

PRODUCT REVISED
 as complying with the Florida
 Building Code
 NOA-No. 18-0122.15
 Expiration Date 06/10/2019
 By *[Signature]*
 Miami-Dade Product Control



DESIGN LOAD CAPACITY - PSF			
DOOR SIZE		GLASS TYPES 'A', 'B' & 'C'	
WIDTH	HEIGHT	EXT. (+)	INT. (-)
2/8	6/8	75.0	85.0
3/0		75.0	85.0
3/3		75.0	85.0
2/8	7/0	75.0	85.0
3/0		75.0	85.0
3/3		75.0	85.0
2/8	8/0	75.0	85.0
3/0		75.0	85.0
3/3		75.0	85.0

DOORS APPROVED FOR INSTALLATIONS WHERE WATER INFILTRATION RESISTANCE IS REQUIRED.

DESIGN LOAD CAPACITY - PSF			
DOOR SIZE		GLASS TYPES 'A', 'B' & 'C'	
WIDTH	HEIGHT	EXT. (+)	INT. (-)
2/8	6/8	85.0	115.0
3/0		85.0	115.0
3/3		85.0	115.0
2/8	7/0	85.0	115.0
3/0		85.0	115.0
3/3		85.0	115.0
2/8	8/0	85.0	115.0
3/0		85.0	115.0
3/3		85.0	115.0

DOORS APPROVED FOR INSTALLATIONS WHERE WATER INFILTRATION RESISTANCE IS REQUIRED.

DESIGN LOAD CAPACITY - PSF			
DOOR SIZE		GLASS TYPES 'A', 'B' & 'C'	
WIDTH	HEIGHT	EXT. (+)	INT. (-)
2/8	6/8	70.0	75.0
3/0		70.0	75.0
3/3		70.0	75.0
2/8	7/0	70.0	75.0
3/0		70.0	75.0
3/3		70.0	75.0

DOORS APPROVED FOR INSTALLATIONS WHERE WATER INFILTRATION RESISTANCE IS REQUIRED.

LOCK OPTION '1':

3 POINT LOCK SYSTEM AT ACTIVE LOCK STILE 36" FROM BOTTOM, KEY OPERATED ON EXTERIOR AND THUMB TURN ON INTERIOR.

STRIKE PLATE
 1-1/4" X 1/4" X 16-1/4" LONG
 ATTACHED WITH (2) #8 X 3/4" SMS

HINGES:

TWO-HANDED COMB HING
 EXTRUDED ALUMINUM BRIDGE 2
 BY 'GIESSE'
 (5) PER LEAF
 AT 6", 12", 35", 63-1/2" AND
 92-1/2" FROM TOP OF DOOR

LOCK OPTION '2':

MANUALLY OPERATED CONCEALED FLUSH BOLTS AT TOP AND BOTTOM OF LEAF PART #02181 ATTACHED WITH (4) #10 X 1-1/2" SMS.

3 POINT LOCK SYSTEM AT LOCK STILE 36" FROM BOTTOM, KEY OPERATED ON EXTERIOR AND THUMB TURN ON INTERIOR.

STRIKE PLATE
 1-1/4" X 1/4" X 16-1/4" LONG
 ATTACHED WITH (2) #8 X 3/4" SMS

HINGES:

TWO-HANDED COMB HING
 EXTRUDED ALUMINUM BRIDGE 2
 BY 'GIESSE'
 (7) PER LEAF AT 7/0 AND 8/0 DOORS
 AT 3", 9" AND 26-3/8" FROM
 TOP AND BOTTOM, ONE AT MIDSPAN
 (6) PER LEAF AT 6/8 DOORS
 AT 3", 9" AND 26-3/8" FROM
 TOP AND BOTTOM

LOCK OPTION '3':

SINGLE POINT MORTISE LOCK WITH SWING BOLT BY 'CISA' LOCATED AT 35-1/2" FROM BOTTOM FASTENED TO LOCK STILE WITH (2) #8 X 3/8" FH SMS

ALUMINUM STRIKE PLATE BY 'CISA' FACING LOCK (1" WIDE X .295" THK. X 9" LONG) FASTENED TO FRAME JAMB WITH (2) #10 X 1" FH SMS

HINGES:

TWO HANDED COMB HING EXTRUDED ALUMINUM BRIDGE 2 BY 'GIESSE'
 HINGES FASTENED WITH #10 X 3/8" FH SMS
 (2) SCREWS AT HINGE STILE
 (2) SCREWS AT FRAME JAMB
 (4) PER LEAF AT 6/8 AND 7/0 DOORS
 AT 7", 15", 44" FROM TOP
 AND 3-1/2" FROM BOTTOM

NOTE:
 GLASS CAPACITIES ON THIS SHEET ARE
 BASED ON ASTM E1300-09 (3 SEC. GUSTS)
 AND FLORIDA BUILDING COMMISSION
 DECLARATORY STATEMENT DCA05-DEC-219

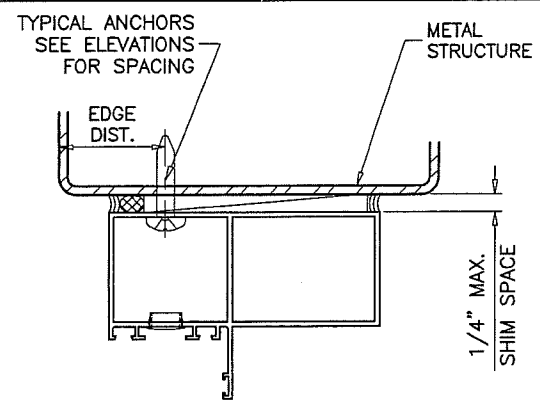
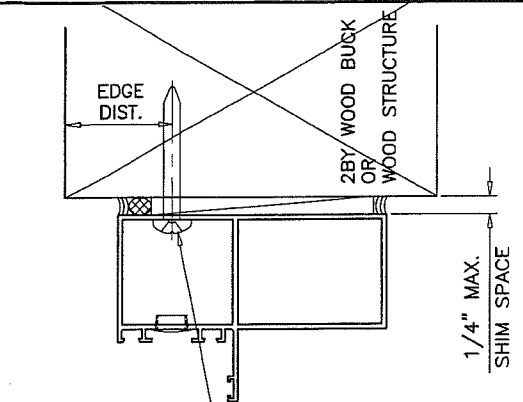
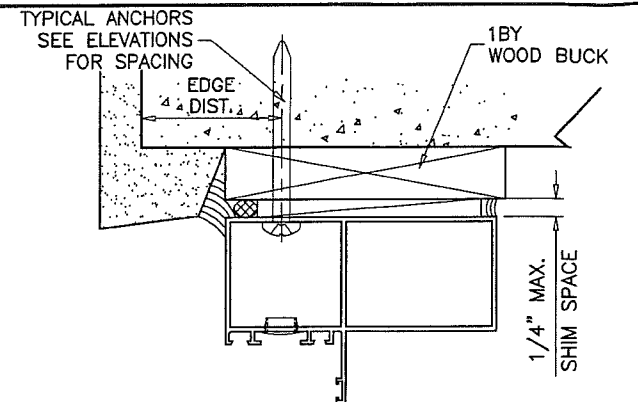
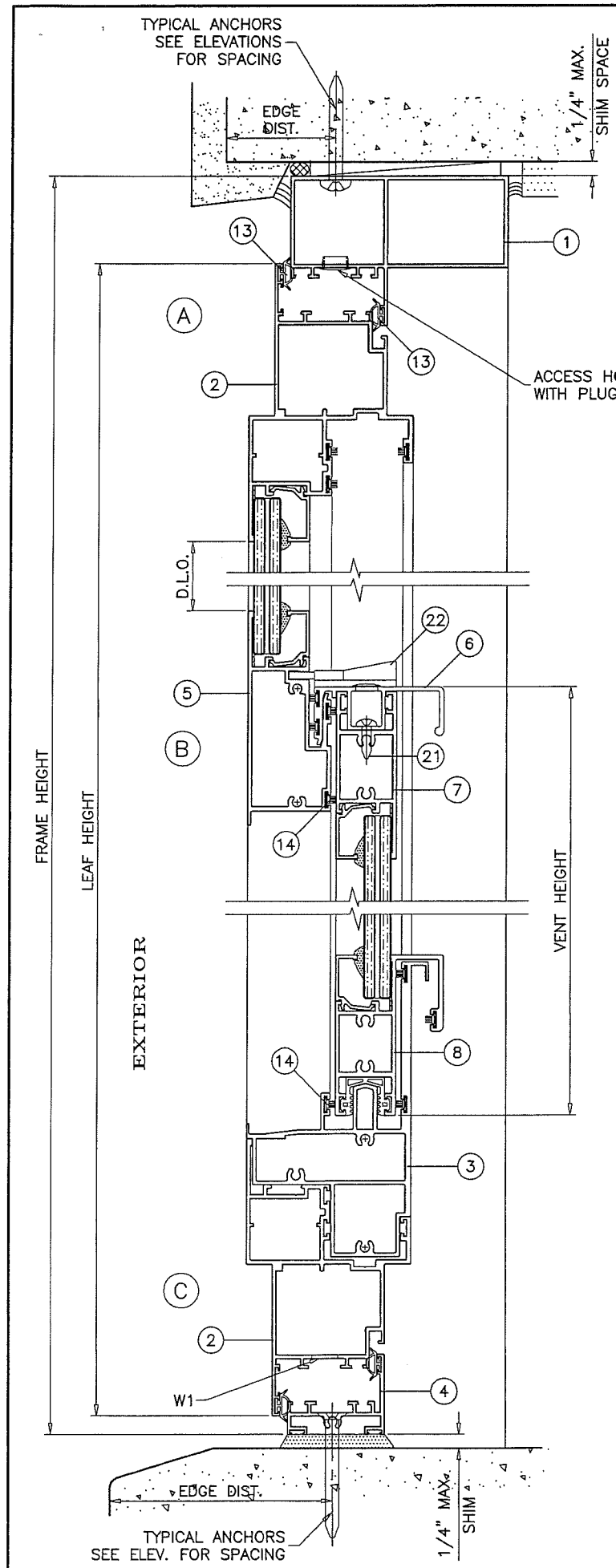
NOTE: TOP AND BOTTOM FLUSH BOLTS (IF USED) MUST BE ENGAGED DURING PERIODS OF HURRICANE WARNING.

af c
AL-FAROOQ CORPORATION
 ENGINEERS & PRODUCT DEVELOPMENT
 9360 SUNSET DRIVE, SUITE 220
 MIAMI, FLORIDA 33173 (C.A.N. 3538)
 TEL. (305) 264-8400 FAX. (305) 262-6978
 COMP-ANL\W10-06EWD

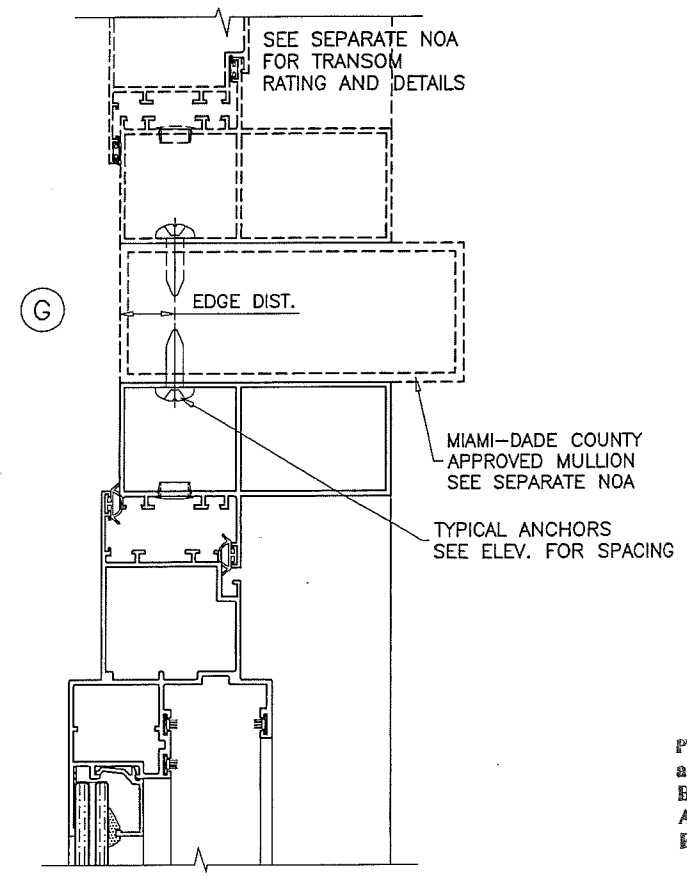
TRADEWIND ALUM OUTSWING ENT. DOOR (L.M.I.)
Eurotech Industries Inc.
 4201 N.E. 12th Terrace
 Oakland Park, Florida 33334
 Tel. (954) 630-9967 Fax. (954) 630-0217

no.	date	by	description
A	05.03.10		REV. PER BCCO COMMENTS
B	11.11.11		NO CHANGE THIS SHEET
C	09.09.15		UPDATED TO 2014 FBC
D	02.09.16		LOCK OPTION ADDED
E	01.08.18		UPDATED TO 2017 FBC

date:	02-17-10
scale:	3/8" = 1"
dr. by:	TARIQ
chk. by:	
drawing no.	W10-06
sheet	2 of 6



WOOD BUCKS AND METAL STRUCTURE NOT BY EUROTECH MUST SUSTAIN LOADS IMPOSED BY GLAZING SYSTEM AND TRANSFER THEM TO THE BUILDING STRUCTURE.



TYPICAL ANCHORS: SEE ELEV. FOR SPACING
 1/4" DIA. ULTRACON BY 'ELCO' (Fu=177 KSI, Fy=155 KSI)
 INTO 2BY WOOD BUCKS OR WOOD STRUCTURES
 1-1/2" MIN. PENETRATION INTO WOOD (HEAD/JAMBS)
 THRU 1BY BUCKS INTO CONC. OR BLOCKS
 1-1/4" MIN. EMBED INTO CONCRETE (HEAD/JAMBS)
 1-1/4" MIN. EMBED INTO BLOCKS (JAMBS)
 DIRECTLY INTO CONCRETE OR BLOCKS
 1-1/4" MIN. EMBED INTO CONCRETE (HEAD/SILL)
 1-3/4" MIN. EMBED INTO CONC. OR GROUT-FILLED BLOCKS (JAMBS)
 1/4" DIA. TEKS OR SELF-DRILLING SCREWS (GRADE 5 CRS)
 INTO MIAMI-DADE COUNTY APPROVED MULLIONS
 OR
 INTO METAL STRUCTURES (HEAD/JAMBS)
 (3) THREADS MIN. TO EXTEND BEYOND METAL THICKNESS
 ALUMINUM: 1/8" THK. MIN. (6063-T5 MIN.)
 STEEL: 1/8" THK. MIN. (Fy = 36 KSI MIN.)
 (STEEL IN CONTACT WITH ALUMINUM TO BE PLATED OR PAINTED)

CRITICAL EDGE DISTANCE
 INTO CONCRETE AND BLOCKS = 2-1/2" MIN.
 INTO WOOD STRUCTURE = 1" MIN.
 INTO METAL STRUCTURE = 3/4" MIN.
 WOOD AT HEAD OR JAMBS SG = 0.55 MIN.
 CONCRETE AT HEAD, SILL OR JAMBS f'c = 3000 PSI MIN.
 C-90 HOLLOW/FILLED BLOCK AT JAMBS f'm = 2000 PSI MIN.

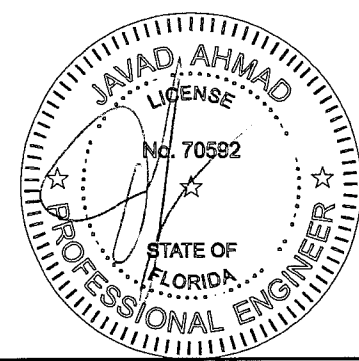
SEALANTS:
 ALL FRAME AND LEAF CORNERS AND JOINTS SEALED WITH ADSEL OR TEKNA 50729 SEALANTS.

WEEPHOLES:
 W1 = 3/16" X 1/2" WEEP HOLES AT 7" FROM EACH END
 3/16" X 1" WEEP HOLE AT CENTER

PRODUCT RENEWED
 as complying with the Florida Building Code
 Acceptance No. 19-0318-03
 Expiration Date 6/10/2019
 By Miami-Dade Product Control

PRODUCT REVISED
 as complying with the Florida Building Code
 NOA-No. 18-0122.15
 Expiration Date 06/10/2019
 By Miami-Dade Product Control

JAN 15 2018



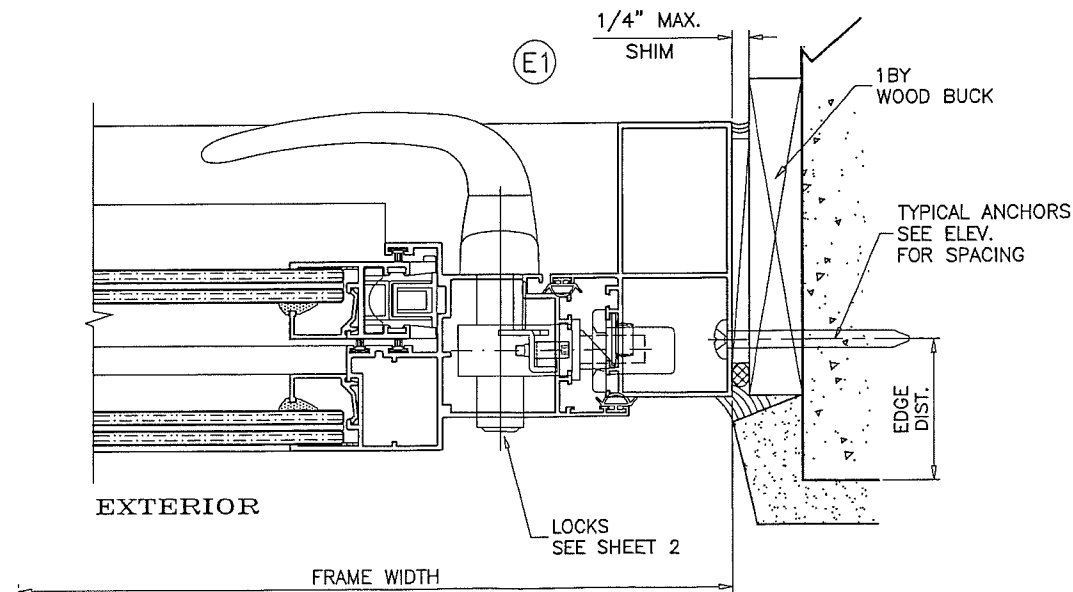
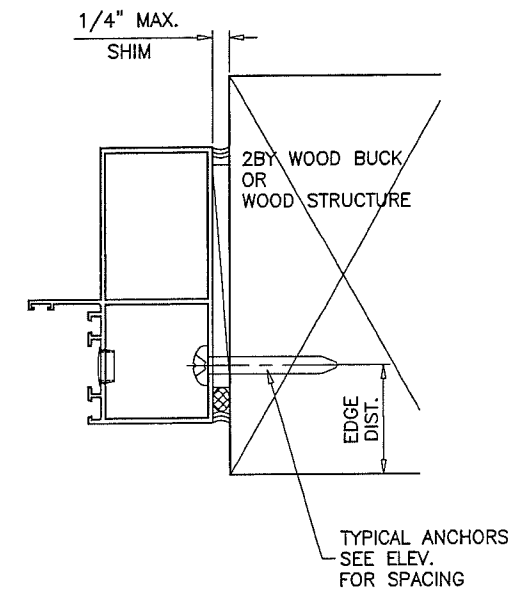
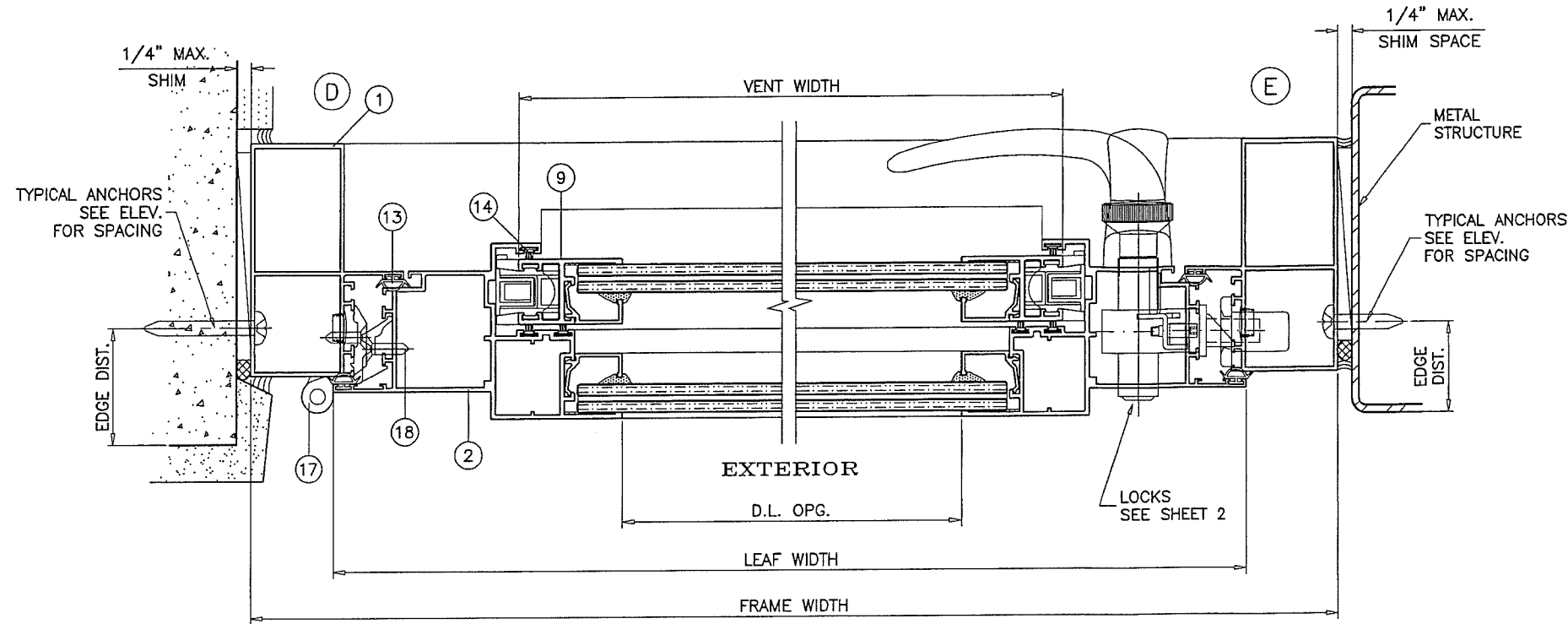
AL-FAROOQ CORPORATION
 ENGINEERS & PRODUCT DEVELOPMENT
 9360 SUNSET DRIVE, SUITE 220
 MIAMI, FLORIDA 33173 (C.A.N. 3538)
 TEL. (305) 264-8100 FAX. (305) 262-6978
 COMP-ANL\W10-06EWD

TRADEWIND ALUM OUTSWING ENT. DOOR (L.M.I.)
Eurotech Industries Inc.
 4201 N.E. 12th Terrace
 Oakland Park, Florida 33334
 Tel. (954) 630-9967 Fax. (954) 630-0217

no	date	description
A	05.03.10	NO CHANGE THIS SHEET
B	11.11.11	NO CHANGE THIS SHEET
C	09.09.15	UPDATED TO 2014 FBC
D	02.09.16	NO CHANGE THIS SHEET
E	01.08.18	UPDATED TO 2017 FBC

date: 02-17-10
 scale: 3/8" = 1"
 dr. by: TARIQ
 chk. by:

drawing no.
W10-06
 sheet 3 of 6

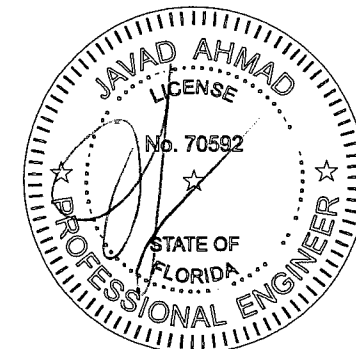


PRODUCT RENEWED
 as complying with the Florida
 Building Code
 Acceptance No. 18-0318.03
 Expiration Date 6/10/2024

By Ichang L. Ahmad
 Miami-Dade Product Control

PRODUCT REVISED
 as complying with the Florida
 Building Code
 NOA-No. 18-0122.15
 Expiration Date 06/10/2019

By [Signature]
 Miami-Dade Product Control



JAN 15 2018

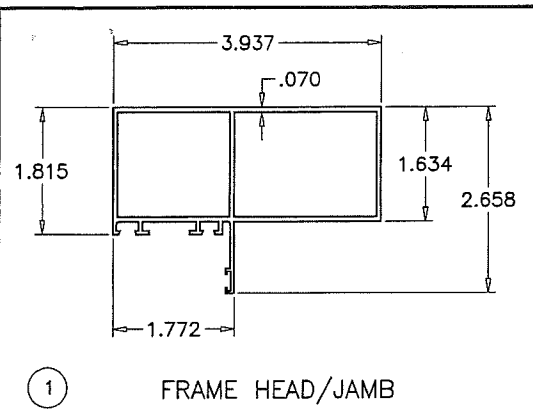
afc
AL-FAROOQ CORPORATION
 ENGINEERS & PRODUCT DEVELOPMENT
 9360 SUNSET DRIVE, SUITE 220
 MIAMI, FLORIDA 33173 (C.A.N. 3538)
 TEL. (305) 264-8100 FAX. (305) 262-6978
 COMP-ANL\W10-06EWD

TRADEWIND ALUM OUTSWING ENT. DOOR (L.M.I.)
Eurotech Industries Inc.
 4201 N.E. 12th Terrace
 Oakland Park, Florida 33334
 Tel. (954) 630-9967 Fax. (954) 630-0217

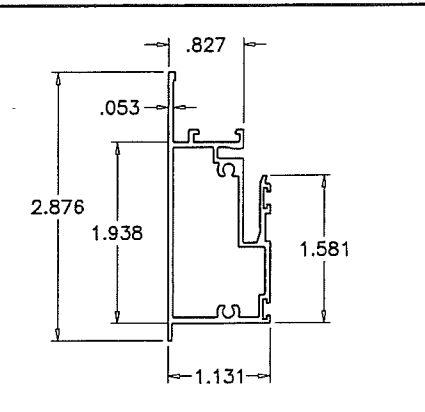
no	date	by	description
A	05.03.10		NO CHANGE THIS SHEET
B	11.11.11		NO CHANGE THIS SHEET
C	09.09.15		UPDATED TO 2014 FBC
D	02.09.16		LOCK OPTION ADDED
E	01.08.18		UPDATED TO 2017 FBC

date: 02-17-10
 scale: 3/8" = 1"
 dr. by: TARIQ
 chk. by:

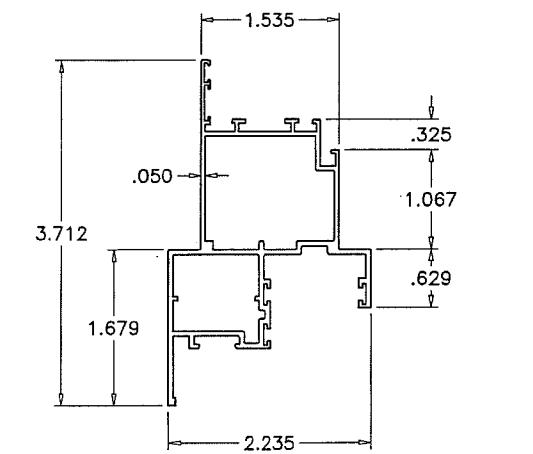
drawing no.
W10-06
 sheet 4 of 6



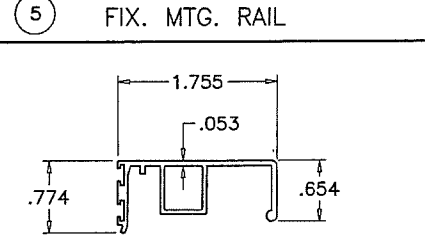
1 FRAME HEAD/JAMB



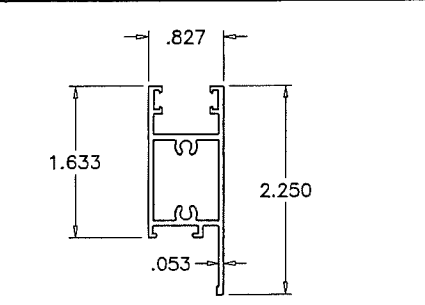
5 FIX. MTG. RAIL



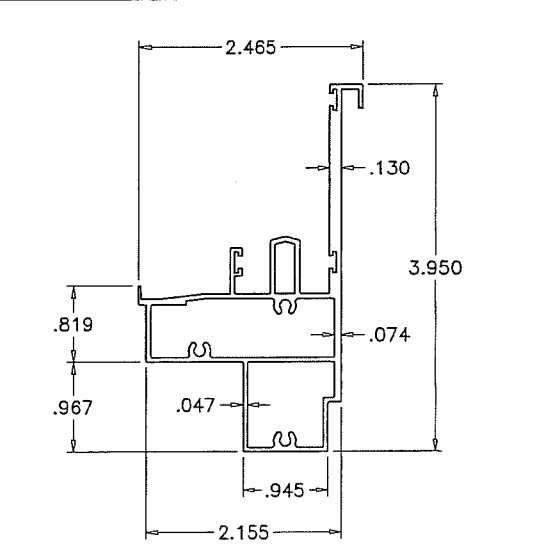
2 DOOR LEAF



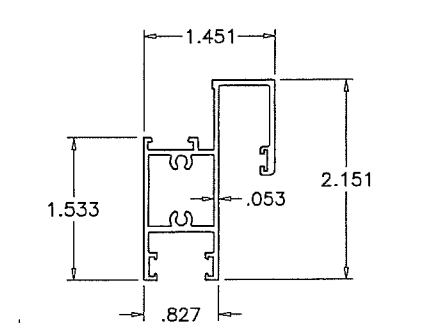
6 VENT HANDLE



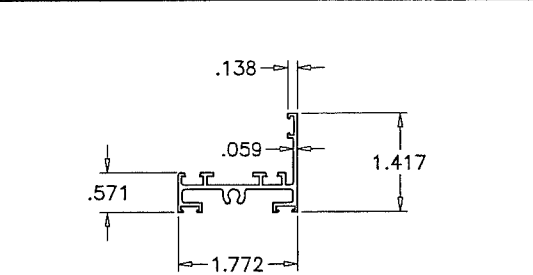
7 VENT TOP RAIL



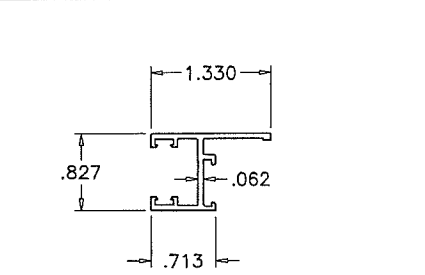
3 WINDOW SILL



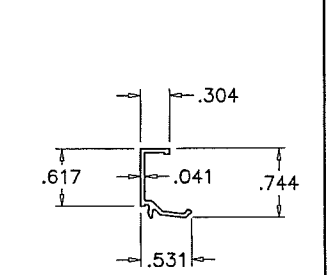
8 VENT BOTTOM RAIL



4 FRAME SILL



9 VENT STILE

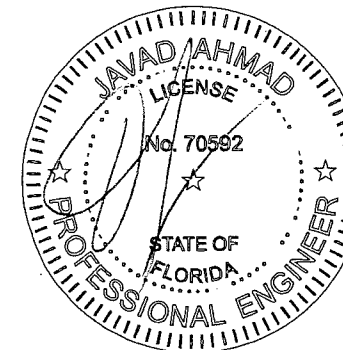


10 GLAZING BEAD

ITEM #	PART #	REQD.	DESCRIPTION	MATERIAL	MANF./SUPPLIER/REMARKS
1	ER 006	3	FRAME HEAD/JAMB	6063-T6	-
2	HW 016	3	DOOR LEAF	6063-T6	-
3	HW 012	1	WINDOW SILL	6063-T6	-
4	VZ 1483	1	FRAME SILL	6063-T6	-
5	HW 009	1	FIXED MEETING RAIL	6063-T6	-
6	HW 008	1	VENT HANDLE	6063-T6	-
7	HW 004	1	VENT TOP RAIL	6063-T6	-
8	HW 007	1	VENT BOTTOM RAIL	6063-T6	-
9	HW 005	2	VENT STILE	6063-T6	-
10	HW 010	4/ LITE	GLAZING BEAD	6063-T6	-
11	-	-	-	-	-
12	COM 2800	4/ LITE	GLAZING GASKET (DUROMETER 75 SHORE A)	EPDM	-
13	58120	AS REQD.	BULB W'STRIPPING (DUROMETER 64 SHORE A)	SANTOPRENE	COMPLASTEX
14	W21225	AS REQD.	WOOL PILE WITH FIN	-	ULTRAFAB
15	-	-	-	-	-
16	1001/50	1/ CORNER	CORNER KEY	ALUMINUM	MONTICELLO
17	00600X	4/ LEAF	HINGES	ALUMINUM	GIESSE
18	#10 X 3/8"	4/ HINGE	HINGE INSTALLATION SCREWS	-	PH MACHINE SCREWS
19	#10 X 2"	AS REQD.	ASSEMBLY SCREWS	-	HH SELF DRILLING
20	#12 X 1-1/4"	-	FRAME ASSEMBLY SCREWS	-	SMS
21	#10 X 1-1/4"	2/ VENT	VENT HANDLE INSTALLATION SCREWS	-	PH SMS
22	-	1/ VENT	SWEEP LATCH	STEEL	-
23	#8 X 1"	2/ LATCH	SWEEP LATCH INSTALLATION SCREWS	-	FH SMS
24	F210	2/ VENT	BALANCES	-	SUPERBOOST
25	#8 X 1"	1/ BALANCE	BALANCE INSTALLTION SCREWS	-	FH SMS

PRODUCT RENEWED
 as complying with the Florida
 Building Code
 Acceptance No. 19-0318.03
 Expiration Date 6/10/2024
 By Ishag L. Ussif
 Miami Dade Product Control

PRODUCT REVISED
 as complying with the Florida
 Building Code
 NOA-No. 18-0122.15
 Expiration Date 06/10/2019
 By [Signature]
 Miami Dade Product Control



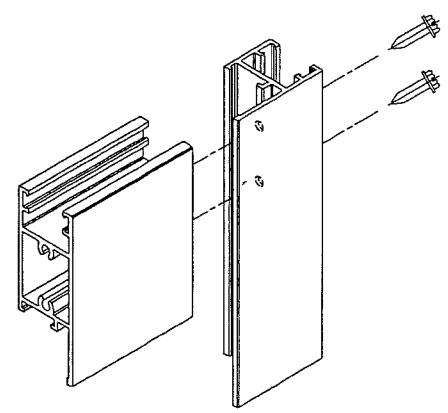
JAN 15 2018

afC
AL-FAROOQ CORPORATION
 ENGINEERS & PRODUCT DEVELOPMENT
 9360 SUNSET DRIVE, SUITE 220
 MIAMI, FLORIDA 33173 (C.A.N. 3538)
 TEL. (305) 264-8100 FAX. (305) 262-6978
 COMP-ANL\W10-06EWD

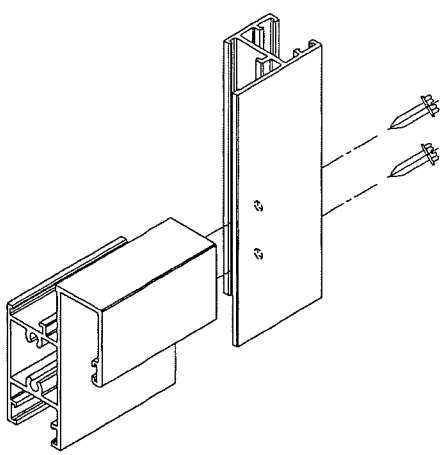
TRADEWIND ALUM OUTSWING ENT. DOOR (L.M.I.)
Eurotech Industries Inc.
 4201 N.E. 12th Terrace
 Oakland Park, Florida 33334
 Tel. (954) 630-9967 Fax. (954) 630-0217

no	date	by	description
A	05.03.10		REV. PER BCCO COMMENTS
B	11.11.11		NO CHANGE THIS SHEET
C	09.09.15		NO CHANGE THIS SHEET
D	02.09.16		NO CHANGE THIS SHEET
E	01.08.18		UPDATED TO 2017 FBC

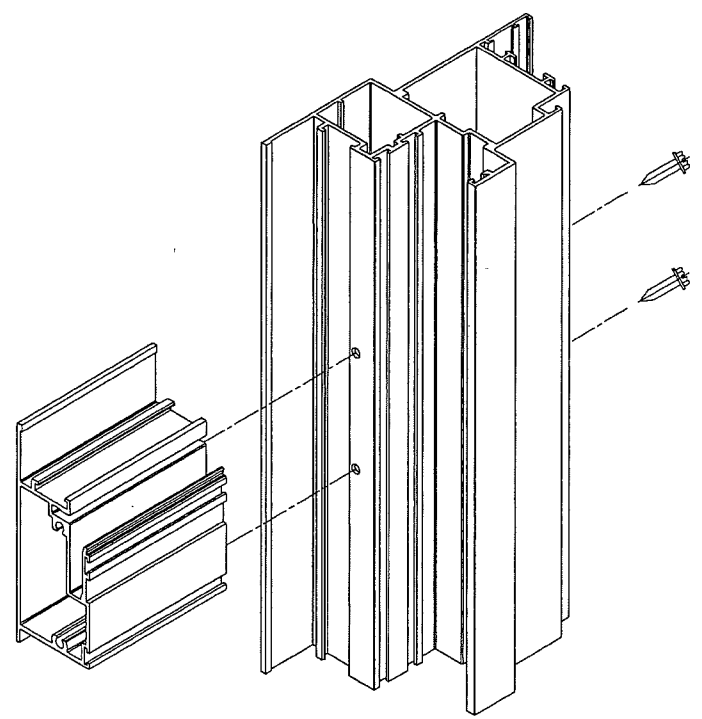
date: 02-17-10
 scale: 3/8" = 1"
 dr. by: TARIQ
 chk. by:
 drawing no.
W10-06
 sheet 5 of 6



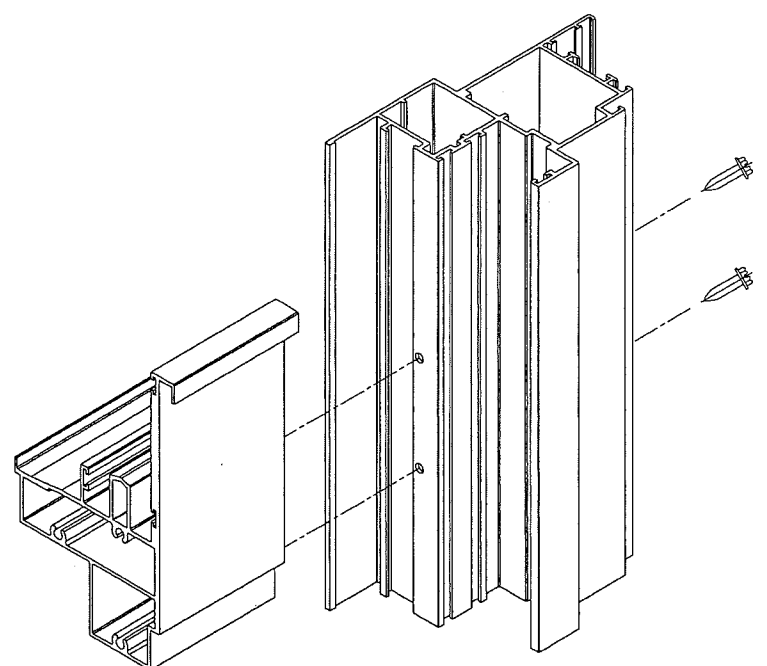
VENT TOP CORNER



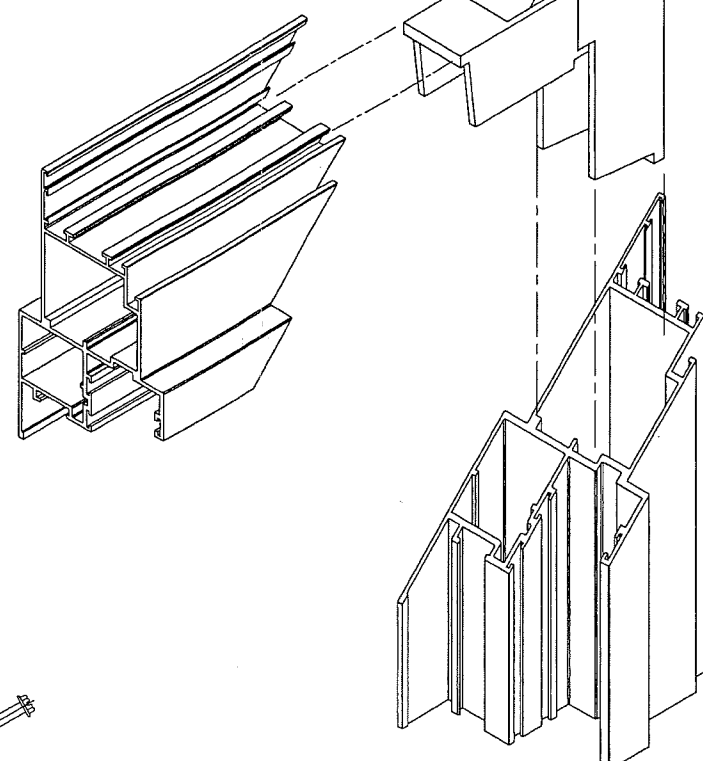
VENT BOTTOM CORNER



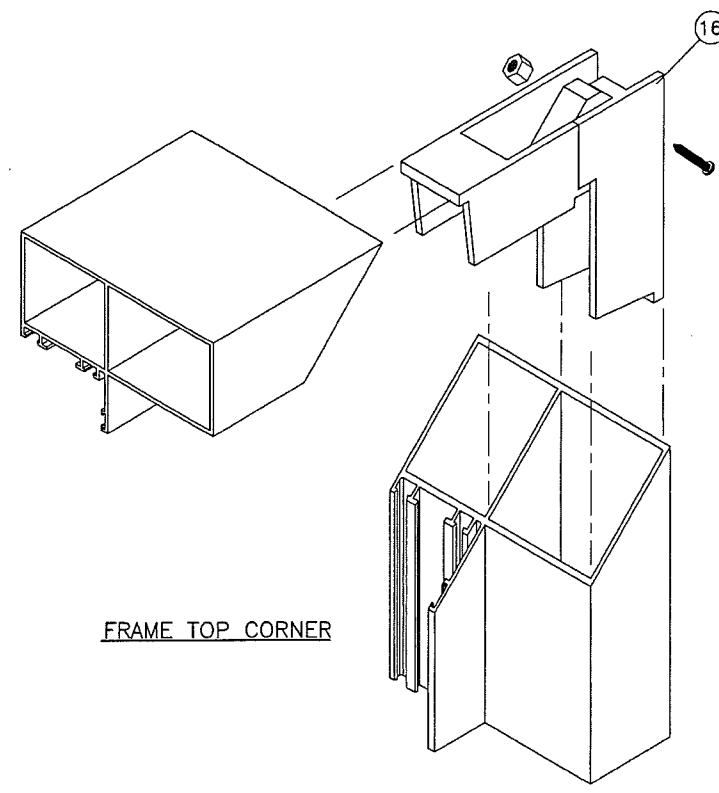
FIX. RAIL CORNER



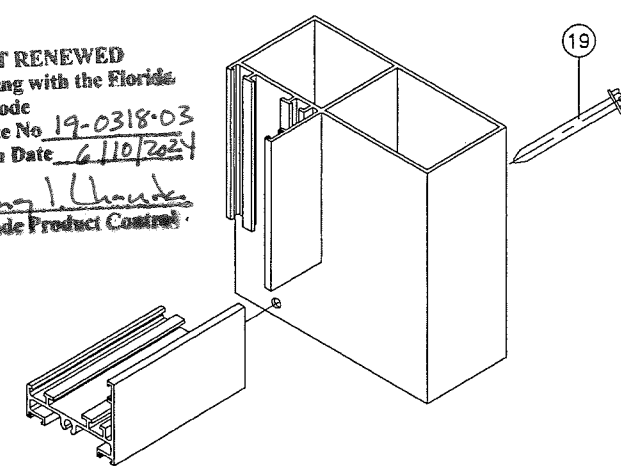
WINDOW SILL CORNER



DOOR LEAF CORNER



FRAME TOP CORNER

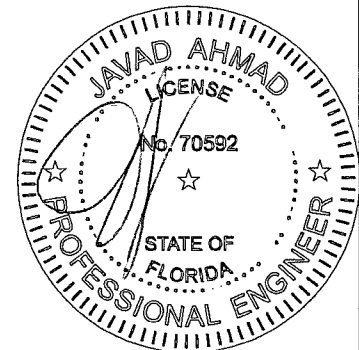


FRAME BOTTOM CORNER

PRODUCT RENEWED
 as complying with the Florida
 Building Code
 Acceptance No. 19-0318-03
 Expiration Date 6/10/2024
 By *Johnny L. Chaudhry*
 Miami Dade Product Control

PRODUCT REVISED
 as complying with the Florida
 Building Code
 NOA-No. 18-0122.15
 Expiration Date 06/10/2019
 By *[Signature]*
 Miami-Dade Product Control

JAN 15 2018



af c
AL-FAROOQ CORPORATION
 ENGINEERS & PRODUCT DEVELOPMENT
 9360 SUNSET DRIVE, SUITE 220
 MIAMI, FLORIDA 33173 (C.A.N. 3538)
 TEL. (305) 264-8100 FAX. (305) 262-6978
 COMP-ANL\W10-06EWD

TRADEWIND ALUM OUTSWING ENT. DOOR (L.M.I.)
Eurotech Industries Inc.
 4201 N.E. 12th Terrace
 Oakland Park, Florida 33334
 Tel. (954) 630-9967 Fax. (954) 630-0217

no	date	by	description
A	05.03.10		NO CHANGE THIS SHEET
B	11.11.11		NO CHANGE THIS SHEET
C	09.09.15		NO CHANGE THIS SHEET
D	02.09.16		NO CHANGE THIS SHEET
E	01.08.18		UPDATED TO 2017 FBC

date: 02-17-10
 scale: 3/8" = 1"
 dr. by: TARIQ
 chk. by:

drawing no.
W10-06
 sheet 6 of 6