



DEPARTMENT OF REGULATORY AND ECONOMIC RESOURCES (RER)  
BOARD AND CODE ADMINISTRATION DIVISION

MIAMI-DADE COUNTY  
PRODUCT CONTROL SECTION  
11805 SW 26 Street, Room 208  
Miami, Florida 33175-2474  
T (786) 315-2590 F (786) 315-2599

[www.miamidade.gov/economy](http://www.miamidade.gov/economy)

**NOTICE OF ACCEPTANCE (NOA)**

Gallina USA, LLC  
4335 Capital Circle  
Janesville, WI 53546

**SCOPE:**

This NOA is being issued under the applicable rules and regulations governing the use of construction materials. The documentation submitted has been reviewed and accepted by Miami-Dade County RER- Product Control Section to be used in Miami Dade County and other areas where allowed by the Authority Having Jurisdiction (AHJ).

This NOA shall not be valid after the expiration date stated below. The Miami-Dade County Product Control Section (In Miami Dade County) and/or the AHJ (in areas other than Miami Dade County) reserve the right to have this product or material tested for quality assurance purposes. If this product or material fails to perform in the accepted manner, the manufacturer will incur the expense of such testing and the AHJ may immediately revoke, modify, or suspend the use of such product or material within their jurisdiction. RER reserves the right to revoke this acceptance, if it is determined by Miami-Dade County Product Control Section that this product or material fails to meet the requirements of the applicable building code.

This product is approved as described herein, and has been designed to comply with the High Velocity Hurricane Zone of the Florida Building Code.

**DESCRIPTION: 5/8" RDC Storm Panels Shutter**

**APPROVAL DOCUMENT:** Drawing No. 08-01342, titled 5/8" Hurricane Storm Panel RDC, sheets 1 through 3 of 3, prepared by Gallina USA, LLC, dated September 12, 2011, last revision #C dated March 20, 2018, signed and sealed by Luis R. Lomas, P.E., on March 20, 2018, bearing the Miami-Dade County Product Control Renewal stamp with the Notice of Acceptance number & the expiration date by Miami-Dade County Product Control Section

**MISSILE IMPACT RATING: Large and Small Missile Impact Resistant**

**LABELING:** Each panel shall bear a permanent label with the manufacturer's name or logo, city, state, the following statement: "Miami-Dade County Product Control Approved", and NOA number, per TAS-201, TAS-202, and TAS-203, unless otherwise noted herein.

**RENEWAL** of this NOA shall be considered after a renewal application has been filed and there has been no change in the applicable building code negatively affecting the performance of this product.

**TERMINATION** of this NOA will occur after the expiration date or if there has been a revision or change in the materials, use, and/or manufacture of the product or process. Misuse of this NOA as an endorsement of any product, for sales, advertising or any other purposes shall automatically terminate this NOA. Failure to comply with any section of this NOA shall be cause for termination and removal of NOA.

**ADVERTISEMENT:** The NOA number preceded by the words Miami-Dade County, Florida, and followed by the expiration date may be displayed in advertising literature. If any portion of the NOA is displayed, then it shall be done in its entirety.

**INSPECTION:** A copy of this entire NOA shall be provided to the user by the manufacturer or its distributors and shall be available for inspection at the job site at the request of the Building Official.

This NOA **renews NOA #18-0404.01** and consists of this page 1, evidence submitted pages E-1, E-2, E-3 & E-4 as well as approval document mentioned above.

The submitted documentation was reviewed by **Helmy A. Makar, P.E., M.S.**



*Helmy A. Makar*  
08/15/2019

NOA No. 19-0731.03  
Expiration Date: 07/27/2024  
Approval Date: 08/15/2019  
Page 1

NOTICE OF ACCEPTANCE: EVIDENCE SUBMITTED

**1. EVIDENCE SUBMITTED UNDER PREVIOUS APPROVAL # 06-0222.04**

**A. DRAWINGS**

1. *Drawing No. GAL – 0004-1, titled “ 5/8” & 1” Hurricane Storm Panel RDC ”, sheets 1 through 5 of 5, prepared by PTC Engineering, Inc., dated December 01, 2005, signed and sealed by L. Roberto Lomas, P.E.*

**B. TESTS**

1. *Test report on Large Missile Impact Test, Cyclic Wind Pressure Test, and Uniform Static Air Pressure Test of 5/8" Hurricane Storm Panel R.D.C., prepared by National Certified Testing Laboratories, Report No. 210-3249-1, dated October 14, 2005, signed and sealed by Gerald John Ferrara, P.E.*
2. *Test report on Large Missile Impact Test, Cyclic Wind Pressure Test, and Uniform Static Air Pressure Test of 1" Hurricane Storm Panel R.D.C., prepared by National Certified Testing Laboratories, Report No. 210-3249-2, dated October 14, 2005, signed and sealed by Gerald John Ferrara, P.E.*
3. *Test report on Spontaneous Ignition Temperature per ASTM D-1929, Report No. 3064952, dated September 29, 2004.*
4. *Test report on Rate of Burning per ASTM D635-98, Report No. 3033484(a) and 3041325(a), dated May 28, 2003.*
5. *Test Report on Flame Spread and Smoke Development per ASTM E-84-01, Report No. 3033484(b), dated January 17, 2003.*

**C. CALCULATIONS**

1. *Comparative Analysis, Anchor Calculations and details for 5/8” & 1” Storm Panels RDC, dated November 28, 2005, pages 1 through 5 of 5, prepared by PTC Engineering, Inc., signed and sealed by Luis R. Lomas, P.E.*

**D. QUALITY ASSURANCE**

1. *By Miami-Dade County Building Code Compliance Office.*

**E. MATERIAL CERTIFICATIONS**

1. *4500 hrs. Accelerated Weathering, pre-and-post-weathering Tensile Test contract letter from Intertek Testing Laboratory, dated September 06, 2006 to begin before 09/30/2006, in accordance with ASTM D638, signed Jeff Gearhart.*

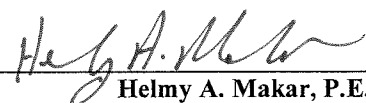
**2. EVIDENCE SUBMITTED UNDER PREVIOUS APPROVAL # 07-0320.04**

**A. DRAWINGS**

1. *None.*

**B. TESTS**

1. *None.*



Helmy A. Makar, P.E., M.S.  
Product Control Section Supervisor  
NOA No. 19-0731.03  
Expiration Date: 07/27/2024  
Approval Date: 08/15/2019

**Gallina USA, LLC**

**NOTICE OF ACCEPTANCE: EVIDENCE SUBMITTED**

**C. CALCULATIONS**

1. *None.*

**D. QUALITY ASSURANCE**

1. *By Miami-Dade County Building Code Compliance Office.*

**E. MATERIAL CERTIFICATIONS**

1. *4500 hrs. Accelerated Weathering, pre-and-post-weathering Tensile Test contract letter from Intertek Testing Laboratory, dated September 06, 2006 to begin before 09/30/2006, in accordance with ASTM D638, signed Jeff Gearhart.*

**3. EVIDENCE SUBMITTED UNDER PREVIOUS APPROVAL # 08-0213.02**

**A. DRAWINGS**

1. *None.*

**B. TESTS**

1. *None.*

**C. CALCULATIONS**

1. *None.*

**D. QUALITY ASSURANCE**

1. *By Miami-Dade County Building Code Compliance Office.*

**E. MATERIAL CERTIFICATIONS**

1. *None.*

**4. EVIDENCE SUBMITTED UNDER PREVIOUS APPROVAL # 11-1006.12**

**A. DRAWINGS**

1. *Drawing No. 08-01342, titled " 5/8" & 1" Hurricane Storm Panel RDC ", sheets 1 through 5 of 5, prepared by Gallina USA, LLC, dated September 12, 2011, signed and sealed by Luis R. Lomas, P.E., on December 22, 2011.*

**B. TESTS**

1. *None.*

**C. CALCULATIONS**

1. *None.*

**E. MATERIAL CERTIFICATIONS**

1. *None.*



Helmy A. Makar, P.E., M.S.  
Product Control Section Supervisor  
NOA No. 19-0731.03  
Expiration Date: 07/27/2024  
Approval Date: 08/15/2019

**Gallina USA, LLC**

**NOTICE OF ACCEPTANCE: EVIDENCE SUBMITTED**

**5. EVIDENCE SUBMITTED UNDER PREVIOUS APPROVAL # 13-1126.21**

**A. DRAWINGS**

1. *Drawing No. 08-01342, titled 5/8" Hurricane Storm Panel RDC, sheets 1 through 3 of 3, prepared by Gallina USA, LLC, dated September 12, 2011, last revision #B dated May 15, 2013, signed and sealed by Luis R. Lomas, P.E., on May 16, 2013.*

**B. TESTS**

1. *None.*

**C. CALCULATIONS**

1. *None.*

**D. QUALITY ASSURANCE**

1. *By Miami-Dade County Department of Regulatory and Economic Resources.*

**E. MATERIAL CERTIFICATIONS**

1. *None.*

**6. EVIDENCE SUBMITTED UNDER PREVIOUS APPROVAL # 18-0404.01**

**A. DRAWINGS**

1. *Drawing No. 08-01342, titled 5/8" Hurricane Storm Panel RDC, sheets 1 through 3 of 3, prepared by Gallina USA, LLC, dated September 12, 2011, last revision #C dated March 20, 2018, signed and sealed by Luis R. Lomas, P.E., on March 20, 2018.*

**B. TESTS**

1. *None.*

**C. CALCULATIONS**

1. *None.*

**D. QUALITY ASSURANCE**

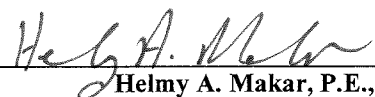
1. *By Miami-Dade County Department of Regulatory and Economic Resources.*

**E. MATERIAL CERTIFICATIONS**

1. *None.*

**F. STATEMENTS**

1. *FBC, 2017 Edition compliance letter prepared by Luis R. Lomas, P.E., dated March 22, 2018, signed and sealed by Luis R. Lomas, P.E.*



Helmy A. Makar, P.E., M.S.  
Product Control Section Supervisor

NOA No. 19-0731.03

Expiration Date: 07/27/2024

Approval Date: 08/15/2019

**Gallina USA, LLC**

**NOTICE OF ACCEPTANCE: EVIDENCE SUBMITTED**

**7. NEW EVIDENCE SUBMITTED**

**A. DRAWINGS**

1. *None.*

**B. TESTS**

1. *None.*

**C. CALCULATIONS**

1. *None.*

**D. QUALITY ASSURANCE**

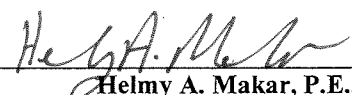
1. *By Miami-Dade County Department of Regulatory and Economic Resources.*

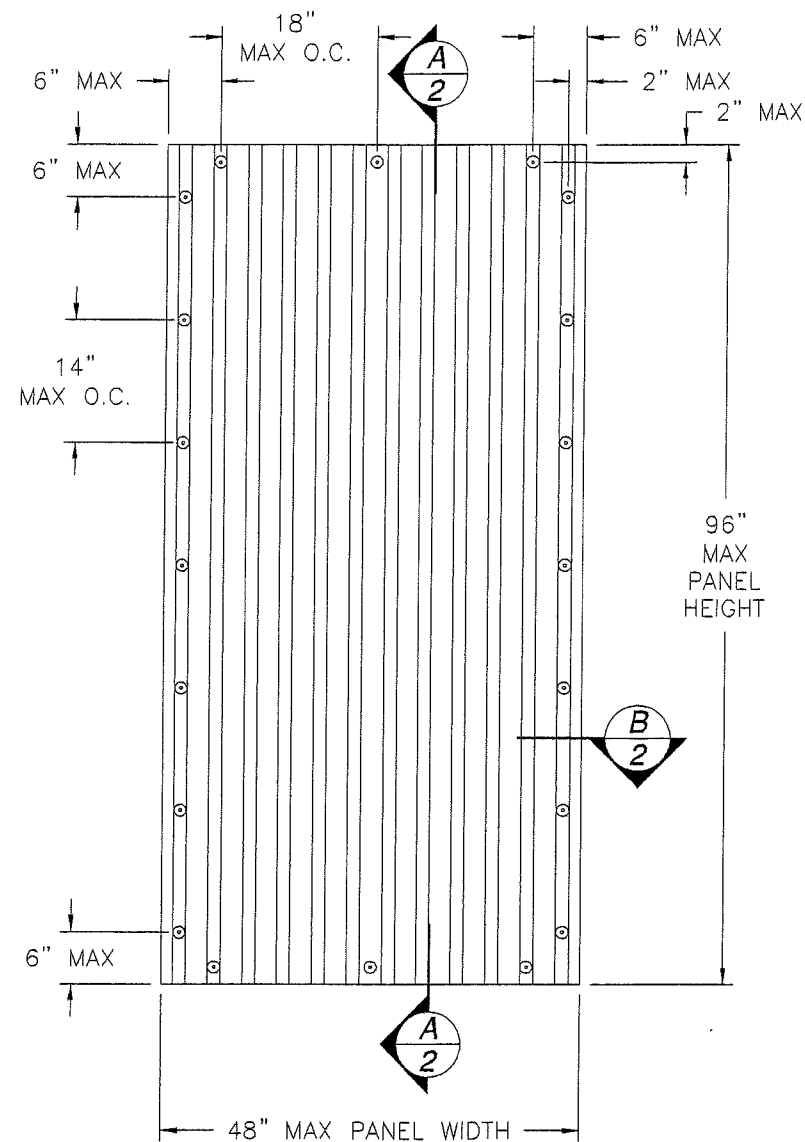
**E. MATERIAL CERTIFICATIONS**

1. *None.*

**F. STATEMENTS**

1. *FBC, 2017 Edition compliance letter prepared by Luis R. Lomas, P.E., dated March 22, 2018, signed and sealed by Luis R. Lomas, P.E.*

  
\_\_\_\_\_  
Helmy A. Makar, P.E., M.S.  
Product Control Section Supervisor  
NOA No. 19-0731.03  
Expiration Date: 07/27/2024  
Approval Date: 08/15/2019



**5/8" PANEL**  
EXTERIOR VIEW

| DESIGN PRESSURE RATING | IMPACT RATING                  |
|------------------------|--------------------------------|
| ±60.0PSF               | LARGE AND SMALL MISSILE IMPACT |

| TABLE OF CONTENTS |                       |
|-------------------|-----------------------|
| SHEET NO.         | DESCRIPTION           |
| 1                 | ELEVATION AND NOTES   |
| 2                 | INSTALLATION DETAILS  |
| 3                 | B.O.M. AND COMPONENTS |

| REVISIONS |                         |          |          |
|-----------|-------------------------|----------|----------|
| REV       | DESCRIPTION             | DATE     | APPROVED |
| A         | REVISED PER MD COMMENTS | 12/12/11 | R.L.     |
| B         | REMOVED 1" PANEL        | 05/15/13 | R.L.     |
| C         | REVISED NOTE 1          | 03/20/18 | R.L.     |

**NOTES:**

1. THE PRODUCT SHOWN HEREIN IS DESIGNED AND MANUFACTURED TO COMPLY WITH THE 2017 FLORIDA BUILDING CODE 6TH EDITION INCLUDING THE HVHZ.
2. PANELS SHALL BE FASTENED ACCORDING TO FASTENER MANUFACTURERS INSTALLATION SPECIFICATIONS AND AS SHOWN HEREIN.
3. PANEL FRAME MATERIAL: POLYCARBONATE 5/8".
4. MAXIMUM PANEL SIZE: 48" X 96".
5. TOP AND BOTTOM DETAILS SHOWN MAY BE INTERCHANGED AS FIELD CONDITIONS DICTATE. PANELS MAY BE MOUNTED HORIZONTALLY WHERE APPLICABLE.
6. MINIMUM REQUIRED SEPARATION 2 7/8" BETWEEN PRODUCT AND EXISTING GLASS.
7. STORM PANELS SHALL BE EXTRUDED CELLULAR POLYCARBONATE WITH A MINIMUM THICKNESS AS INDICATED ON COMPONENT 1.

**ANCHORING NOTES:**

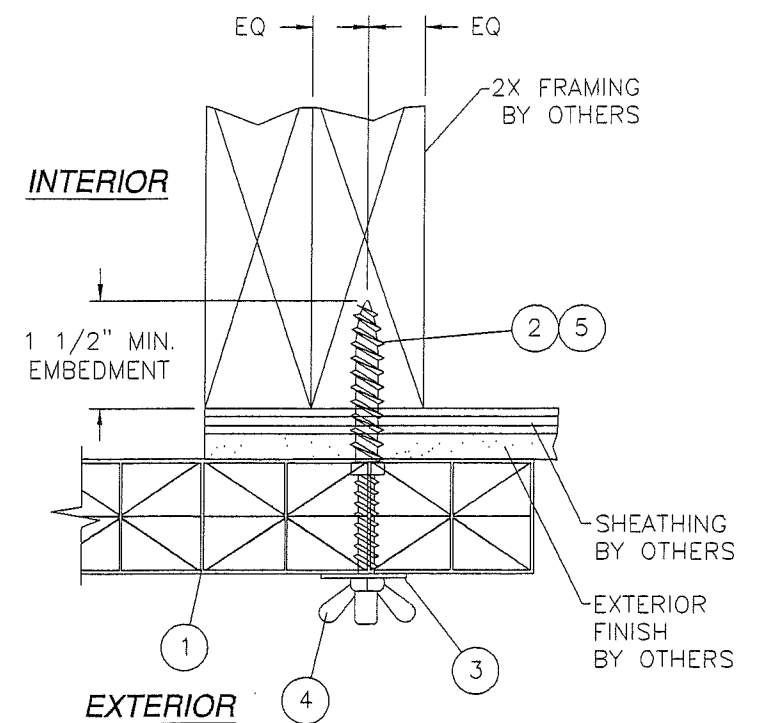
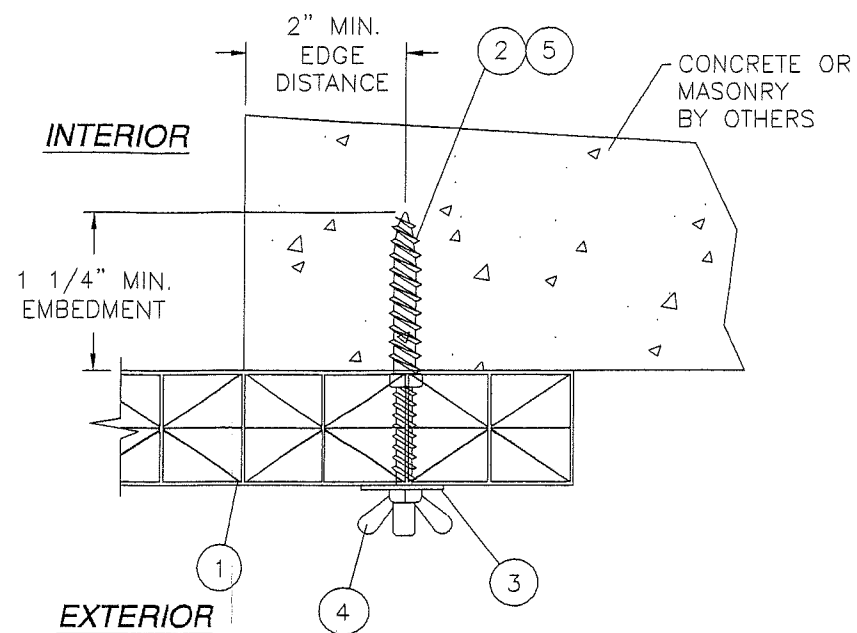
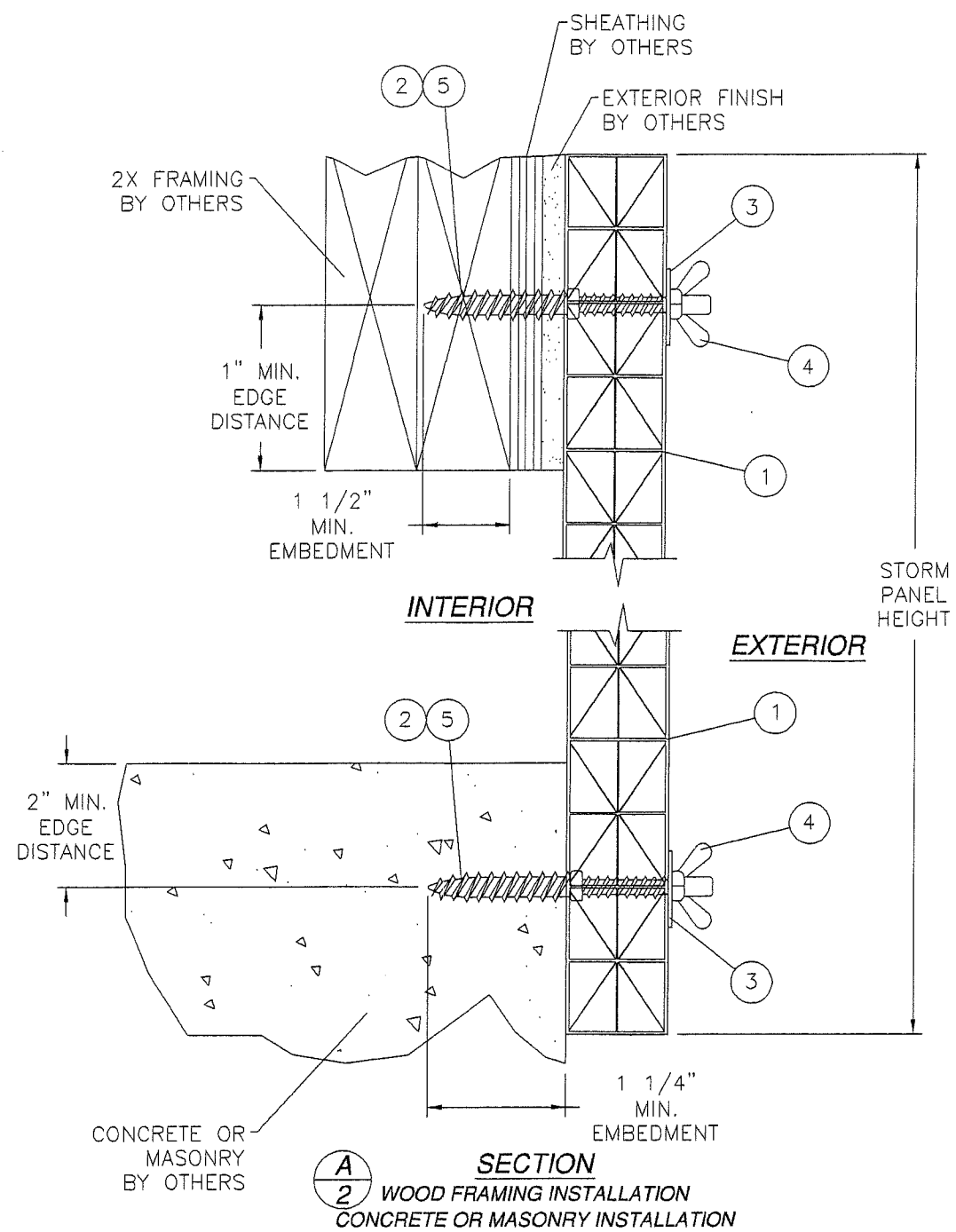
1. LOCATE ANCHORS AS FOLLOWS:  
AT SHORTER SIDE: 6" FROM EACH CORNER AND 18" MAXIMUM ON CENTER THEREAFTER.  
AT LONGER SIDE: 6" MAXIMUM FROM EACH CORNER AND 14" MAXIMUM ON CENTER THEREAFTER.
2. ALL BOLTS AND WASHERS SHALL BE GALVANIZED OR STAINLESS STEEL WITH A MINIMUM TENSILE STRENGTH OF 60 K.S.I.
3. ONE THIRD INCREASE IN THE ANCHOR LOAD ALLOWABLE WAS NOT USED IN CALCULATING ANCHOR SPACING.

PRODUCT RENEWED  
as complying with the Florida  
Building Code  
Acceptance No. 19-0731.03  
Expiration Date 07/27/2024  
By *Hegh A. M. W.*  
Miami Dept Product Control

SIGNED: 03/20/2018

|   |  |              |                                     |
|---|--|--------------|-------------------------------------|
| PRODUCT REVISED<br>as complying with the Florida<br>Building Code<br>Acceptance No. 18-0404.01<br>Expiration Date 07/27/2019<br>By <i>Hegh A. M. W.</i><br>Miami Dept Product Control | GALLINA USA, LLC<br>4335 CAPITAL CIRCLE<br>JANESVILLE, WI 53545    |              |                                     |
|   | 5/8" HURRICANE STORM PANEL RDC<br>48" x 96"<br>ELEVATION AND NOTES |              |                                     |
| DRAWN:<br>V.L.  | DWG NO.<br>08-01342  | REV<br>C     | Luis R. Lomas P.E.<br>FL No.: 62514 |
| SCALE NTS   | DATE 09/12/11  | SHEET 1 OF 3 |                                     |
| L. ROBERTO LOMAS P.E.<br>1432 WOODFORD RD LEWISVILLE, NC 27023<br>434-688-0609 rlomas@rlomaspe.com  |  |              |                                     |

| REVISIONS |                         |          |          |
|-----------|-------------------------|----------|----------|
| REV       | DESCRIPTION             | DATE     | APPROVED |
| A         | REVISED PER MD COMMENTS | 12/12/11 | R.L.     |
| B         | REMOVED 1" PANEL        | 05/15/13 | R.L.     |
| C         | REVISED NOTE 1          | 03/20/18 | R.L.     |



PRODUCT RENEWED  
as complying with the Florida  
Building Code  
Acceptance No. 19-0731.03  
Expiration Date 07/27/2024  
By *Heidi A. Mc...*  
Miami Dade Product Control

SIGNED: 03/20/2018

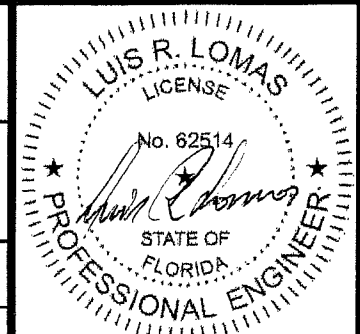
PRODUCT REVISED  
as complying with the Florida  
Building Code  
Acceptance No. 18-0444.01  
Expiration Date 07/27/2019  
By *Heidi A. Mc...*  
Miami Dade Product Control

GALLINA USA, LLC  
4335 CAPITAL CIRCLE  
JANESVILLE, WI 53545

5/8" HURRICANE STORM PANEL RDC  
48" x 96"  
INSTALLATION DETAILS

|                |                     |              |
|----------------|---------------------|--------------|
| DRAWN:<br>V.L. | DWG NO.<br>08-01342 | REV<br>C     |
| SCALE NTS      | DATE 09/12/11       | SHEET 2 OF 3 |

L. ROBERTO LOMAS P.E.  
1432 WOODFORD RD LEWISVILLE, NC 27023  
434-688-0609 rlomas@rlomaspe.com

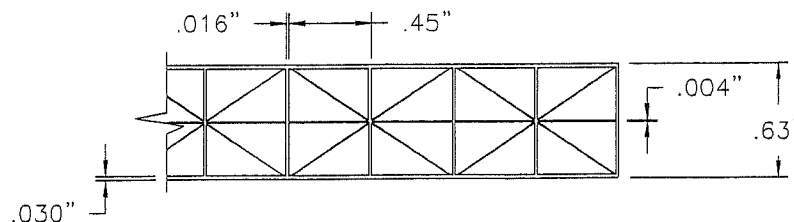


Luis R. Lomas P.E.  
FL No.: 62514

| BILL OF MATERIALS |             |                               |              |               |
|-------------------|-------------|-------------------------------|--------------|---------------|
| ITEM NO.:         | PART NUMBER | DESCRIPTION                   | MANUFACTURER | MATERIAL      |
| 1                 | 2161        | 5/8" STORM PANEL              |              | POLYCARBONATE |
| 2                 | PURCHASE    | 1/4" PANEL MATE MALE FASTENER | TEXTRON      |               |
| 3                 | PURCHASE    | 1/4" WASHER                   |              | STEEL         |
| 4                 | PURCHASE    | 1/4"-20 WINGNUT               |              | STEEL         |
| 5                 | PURCHASE    | 1/4" TAPCON SG                | ITW BUILDEX  |               |

| REVISIONS |                         |          |          |
|-----------|-------------------------|----------|----------|
| REV       | DESCRIPTION             | DATE     | APPROVED |
| A         | REVISED PER MD COMMENTS | 12/12/11 | R.L.     |
| B         | REMOVED 1" PANEL        | 05/15/13 | R.L.     |
| C         | REVISED NOTE 1          | 03/20/18 | R.L.     |

| 5/8" PRODUCT PROPERTIES |             |              |          |
|-------------------------|-------------|--------------|----------|
| TEST DESCRIPTION        | TEST METHOD | TEST RESULTS |          |
| SELF IGNITION TEMP.     | ASTM D1929  | 896°F        |          |
| AVERAGE TIME OF BURNING | ASTM D635   | 0 SEC.       |          |
| STANDARD FLAME SPREAD   | ASTM E84    | 15           |          |
| SMOKE DENSITY DEVELOPED | ASTM E84    | 350          |          |
| TENSILE STRENGTH (MEAN) | ASTM D638   | 6604 PSI     | 7240 PSI |
|                         |             | BEFORE       | AFTER    |



① **5/8" PANEL**  
EXTERIOR WALLS 0.030"  
INTERIOR FLUTED WALLS THICKNESS 0.016"

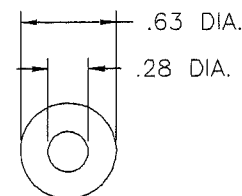


② **1/4" PANEL MATE (TEXTRON)**

⑤ **1/4" TAPCON SG (ITW BUILDEX)**



④ **1/4"-20 WING NUT**  
STEEL



③ **1/4" WASHER**  
STEEL 1/16" THICK

PRODUCT RENEWED  
as complying with the Florida  
Building Code  
Acceptance No. 19-0731-03  
Expiration Date 07/27/2024  
By Heidi A. M...  
Miami Data Product Control

SIGNED: 03/20/2018

|   |  |                     |                                     |              |
|---|--|---------------------|-------------------------------------|--------------|
| PRODUCT REVISED<br>as complying with the Florida<br>Building Code<br>Acceptance No. <u>18-0404-01</u><br>Expiration Date <u>07/27/2019</u><br>By <u>Heidi A. M...</u><br>Miami Data Product Control | GALLINA USA, LLC<br>4335 CAPITAL CIRCLE<br>JANESVILLE, WI 53545      |                     |                                     |              |
|   | 5/8" HURRICANE STORM PANEL RDC<br>48" x 96"<br>B.O.M. AND COMPONENTS |                     |                                     |              |
|   | DRAWN:<br>V.L.   | DWG NO.<br>08-01342 |                                     | REV<br>C     |
|   | SCALE NTS  | DATE 09/12/11       |                                     | SHEET 3 OF 3 |
| L. ROBERTO LOMAS P.E.<br>1432 WOODFORD RD LEWISVILLE, NC 27023<br>434-688-0609 rllomas@rlomaspe.com   |  |                     | Luis R. Lomas P.E.<br>FL No.: 62514 |              |