



DEPARTMENT OF REGULATORY AND ECONOMIC RESOURCES (RER)
BOARD AND CODE ADMINISTRATION DIVISION

MIAMI-DADE COUNTY
PRODUCT CONTROL SECTION
11805 SW 26 Street, Room 208
Miami, Florida 33175-2474
T (786) 315-2590 F (786) 315-2599
www.miamidade.gov/economy

NOTICE OF ACCEPTANCE (NOA)

EKRF, LLC.
8004 NW 154 St. Suite 236
Miami Lakes, FL. 33016

SCOPE:

This NOA is being issued under the applicable rules and regulations governing the use of construction materials. The documentation submitted has been reviewed and accepted by Miami-Dade County RER - Product Control Section to be used in Miami Dade County and other areas where allowed by the Authority Having Jurisdiction (AHJ).

This NOA shall not be valid after the expiration date stated below. The Miami-Dade County Product Control Section (In Miami Dade County) and/or the AHJ (in areas other than Miami Dade County) reserve the right to have this product or material tested for quality assurance purposes. If this product or material fails to perform in the accepted manner, the manufacturer will incur the expense of such testing and the AHJ may immediately revoke, modify, or suspend the use of such product or material within their jurisdiction. RER reserves the right to revoke this acceptance, if it is determined by Miami-Dade County Product Control Section that this product or material fails to meet the requirements of the applicable building code.

This product is approved as described herein, and has been designed to comply with the Florida Building Code including the High Velocity Hurricane Zone of the Florida Building Code.

DESCRIPTION: EKOROOF

LABELING: Each unit shall bear a permanent label with the manufacturer's name or logo, city, state and following statement: "Miami-Dade County Product Control Approved", unless otherwise noted herein.

RENEWAL of this NOA shall be considered after a renewal application has been filed and there has been no change in the applicable building code negatively affecting the performance of this product.

TERMINATION of this NOA will occur after the expiration date or if there has been a revision or change in the materials, use, and/or manufacture of the product or process. Misuse of this NOA as an endorsement of any product, for sales, advertising or any other purposes shall automatically terminate this NOA. Failure to comply with any section of this NOA shall be cause for termination and removal of NOA.

ADVERTISEMENT: The NOA number preceded by the words Miami-Dade County, Florida, and followed by the expiration date may be displayed in advertising literature. If any portion of the NOA is displayed, then it shall be done in its entirety.

INSPECTION: A copy of this entire NOA shall be provided to the user by the manufacturer or its distributors and shall be available for inspection at the job site at the request of the Building Official.

This NOA revises NOA 18-0629.01 and consists of pages 1 through 9.
The submitted documentation was reviewed by Alex Tigera.



NOA No.: 19-0820.04
Expiration Date: 07/04/24
Approval Date: 12/12/19
Page 1 of 9

ROOFING ASSEMBLY APPROVAL

Category: Roofing
Sub-Category: Non-Structural Panel
Materials: Composite
Deck Type: Wood
Maximum Design Pressure -146 psf.
Fire Classification Pressure See General Limitation #1

TRADE NAMES OF PRODUCTS MANUFACTURED OR LABELED BY APPLICANT:

<u>Product</u>	<u>Dimensions</u>	<u>Test Specifications</u>	<u>Product Description</u>
Ekorooft	Length: 20" Width: 40" Thickness: 1/4"	TAS 125	Composite roofing panel designed to resemble four S-tiles, for use in mechanically attached systems.

MANUFACTURING LOCATION:

- Vista de la Sabana, Costa Rica

EVIDENCE SUBMITTED:

<u>Test Agency</u>	<u>Test Identifier</u>	<u>Test Name/Report</u>	<u>Date</u>
Farabaugh Engineering and Testing Inc.	T250-10	TAS 125	06/20/13
	T266-10	TAS-100	11/30/10
	T250-10A	TAS-125	08/30/19
	T266-10A	TAS-100	08/30/19
Fenestration Testing Laboratory	13-4555	ASTM E 108	05/20/13
	17-7120	ASTM E 108	05/18/18
	19-8679	TAS-125	06/27/19
PRI Construction Materials Technologies	EKOR-002-02-01	ASTM D 638	05/17/13
	EKOR-001-02-01	ASTM G 26 / G 155	05/23/08
ETC Laboratories	ETC-06-718-17422.0	ASTM D 2843	03/28/06
		ASTM D 635	03/28/06
		ASTM D 1929	03/28/06



APPROVED ASSEMBLIES:

System:	Ekorooft
Deck Type:	Wood, Non-Insulated
Deck Description:	Min. $1\frac{5}{32}$ " or greater plywood or wood plank.
Slope Range:	2": 12" or greater
Maximum Uplift Pressure:	See Below

Deck Attachment: In accordance with applicable building code, but in no case shall it be less than 8d common nails at 4" o.c., or #8 x 2" long wood screws spaced 6" o.c. In reroofing, where the deck is less than $1\frac{9}{32}$ " thick (Minimum $1\frac{5}{32}$ ") the above attachment method must be in addition to existing attachment.

Underlayment: Minimum underlayment shall be an ASTM D 226 Type II installed with a minimum 4" side-lap and 6" end-laps. Underlayment shall be fastened with corrosion resistant tin-caps and 12 gauge 1 $\frac{1}{4}$ " annular ring-shank nails, spaced 6" o.c. at all laps and two staggered rows 12" o.c. in the field of the roll. Or, any approved underlayment having a current NOA, installed as described in the underlayments NOA.

Fire Barrier: Any approved fire barrier having a current NOA. Refer to Ekorooft ASTM E108 fire test report or a current fire directory listing for fire ratings of this roofing system assembly as well as the location of the fire barrier within the assembly. See Limitation # 1.

Valleys: Valley construction shall be in compliance with Roofing Application Standard RAS 133 and with EKRF, LLC's current published installation instructions.

Panel Installation: (Field Condition) Install the "Ekorooft Tile" and accessories in compliance with the current published installation instructions and details in EKRF LLC's Installation Manual. Flashings, penetrations, valley construction and other details shall be constructed in compliance with Roofing Application Standard RAS 133.

Begin the installation of the panels by aligning the starter row over the pre-formed metal Ekorooft eave closure. The starter row is to be fastened to the deck using **one** #10-12 corrosion-resistant, wood-point screw, positioned 2" from the lower edge, penetrating through the wood deck no less than $\frac{3}{16}$ ". Avoid penetrating metal valleys when fastening. Fasteners may be slightly offset to avoid valleys or plywood joints as needed. There will be a total of 4 fasteners along the bottom of the panel. See **Detail B**.

Secure the top of the panel using **one** #10-12 corrosion-resistant, wood-point screw through the pre-manufactured screw button located in the valleys of the tile, penetrating through the panel and wood deck no less than $\frac{3}{16}$ ". There will be a total of 4 fasteners along the top of the panel. See **Detail C**.

Align adjacent panel and secure as described above. Additionally use a #10-13 x 1" minimum, 2" maximum length, corrosion-resistant screw approximately 1" away from each edge at the lower left corner of the panels to secure the adjacent panels together. See **Detail A**.



The second row of panels shall be installed by aligning the nose of the panels with the Tile Alignment Brow on the panel of the 1st row for standard overlap. See published details for maximum overlap limitations. Once the panel is in place, secure the bottom of the panel with **one** #10-12 corrosion-resistant, wood-point screw, positioned 1/2" from the lower edge, penetrating through the screw block of the panel beneath it, and through the wood deck no less than 3/16". There will be a total of 4 fasteners along the bottom of the panel. See **Detail C**.

Secure the top of the panel using one #10-12 corrosion-resistant, wood-point screw through each pre-manufactured screw button penetrating through the panel and wood deck no less than 3/16". There will be a total of 4 fasteners along the top of the panel. See **Detail C**.

**Maximum Design Pressure:
(Field Condition)**

-86 psf. (See General Limitation #2)

**Panel Installation:
(Perimeter and Corner Condition)**

Begin the installation of the panels by aligning the starter row over the pre-formed metal Ekorooft eave closure. The starter row is to be fastened to the deck using **one** #10-12 corrosion-resistant, wood-point screw, positioned 2" from the lower edge, penetrating through the wood deck no less than 3/16". Avoid penetrating metal valleys when fastening. Fasteners may be slightly offset to avoid valleys or plywood joints as needed. There will be a total of 4 fasteners along the bottom of the panel. See **Detail B**.

Secure the top of the panel using two #10-12 corrosion-resistant, wood-point screws through each pre-manufactured screw button penetrating through the panel and wood deck no less than 3/16". There will be a total of 8 fasteners along the top of the panel. See **Detail D**.

Align adjacent panel and secure as described above. Additionally use a #10-13 x 1" minimum, 2" maximum length, corrosion-resistant screw approximately 1" away from each edge at the lower left corner of the panels to secure the adjacent panels together. See **Detail A**.

The second row of panels shall be installed by aligning the nose of the panels with the Tile Alignment Brow on the panel of the 1st row for standard overlap. See published details for maximum overlap limitations. Once the panel is in place, secure the bottom of the panel with **one** #10-12 corrosion-resistant, wood-point screw, positioned 1/2" from the lower edge, penetrating through the screw block of the panel beneath it and through the wood deck no less than 3/16". There will be a total of 4 fasteners along the bottom. See **Detail D**.

Secure the top of the panel using two #10-12 corrosion-resistant, wood-point screws through each pre-manufactured screw button penetrating through the panel and wood deck no less than 3/16". There will be a total of 8 fasteners along the top of the panel. See **Detail D**.

**Maximum Design Pressure:
(Perimeter and Corner Condition)**

-146 psf. (See General Limitation #2)



NOA No.: 19-0820.04
Expiration Date: 07/04/24
Approval Date: 12/12/19
Page 4 of 9

GENERAL LIMITATIONS:

1. Fire classification is not part of this acceptance; refer to Ekorooft ASTM E108 fire test report or a current Approved Roofing Materials Directory for fire ratings of this product.
2. The maximum designed pressure limitation listed shall be applicable to all roof pressure zones (i.e. field, perimeters, and corners). Neither rational analysis, nor extrapolation shall be permitted for enhanced fastening at enhanced pressure zones (i.e. perimeters, extended corners and corners).
3. All panels shall be permanently labeled with the manufacturer's name and/or logo, and the following statement: "Miami-Dade County Product Control Approved" **or** with the Miami-Dade County Product Control Seal as seen below.



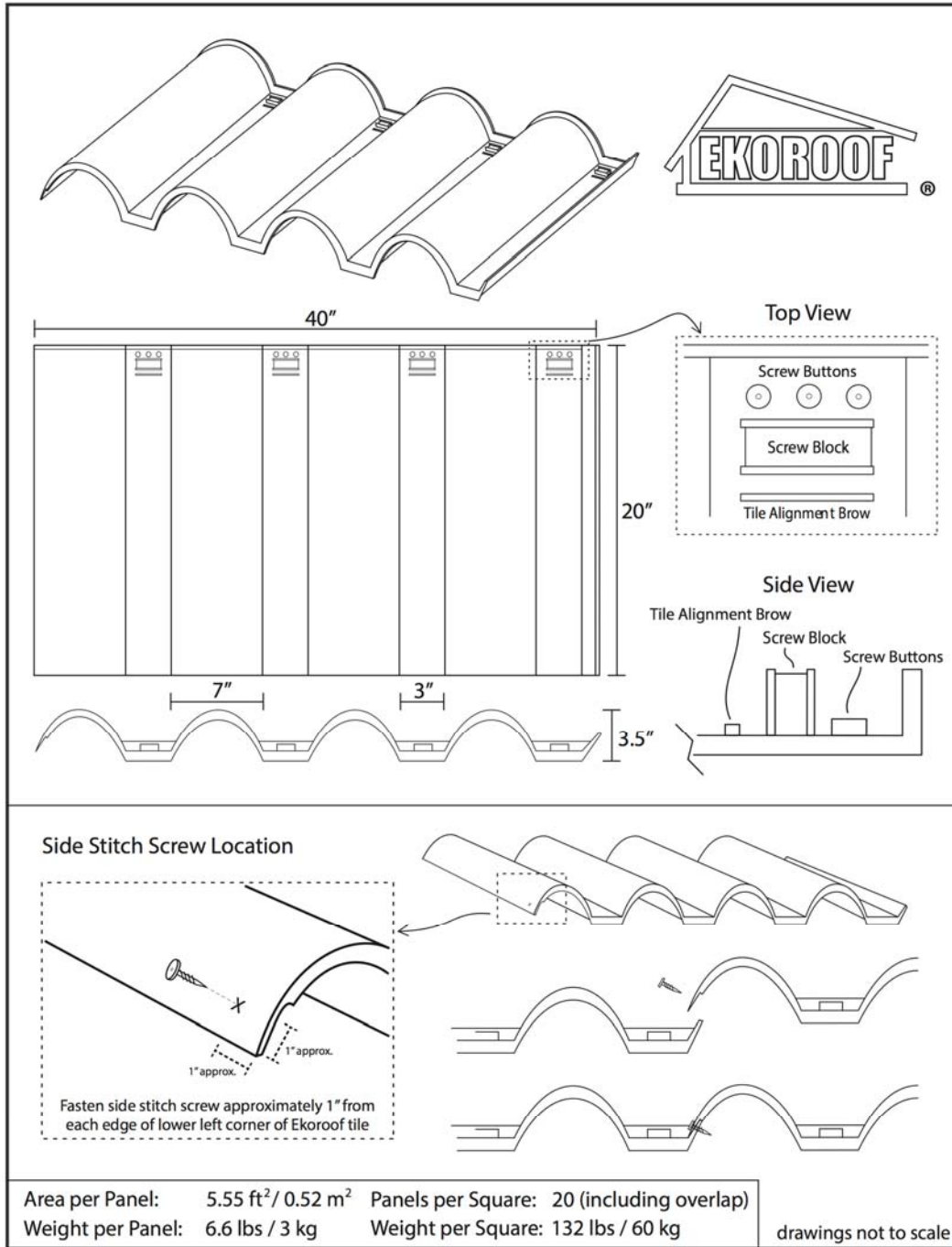
4. All products listed herein shall have a quality assurance audit in accordance with the Florida Building Code and Rule 61G20-3 of the Florida Administrative Code.



PROFILE DRAWINGS

DETAIL A

EKOROOF TILE DIMENSIONS AND SIDE LAP DETAIL

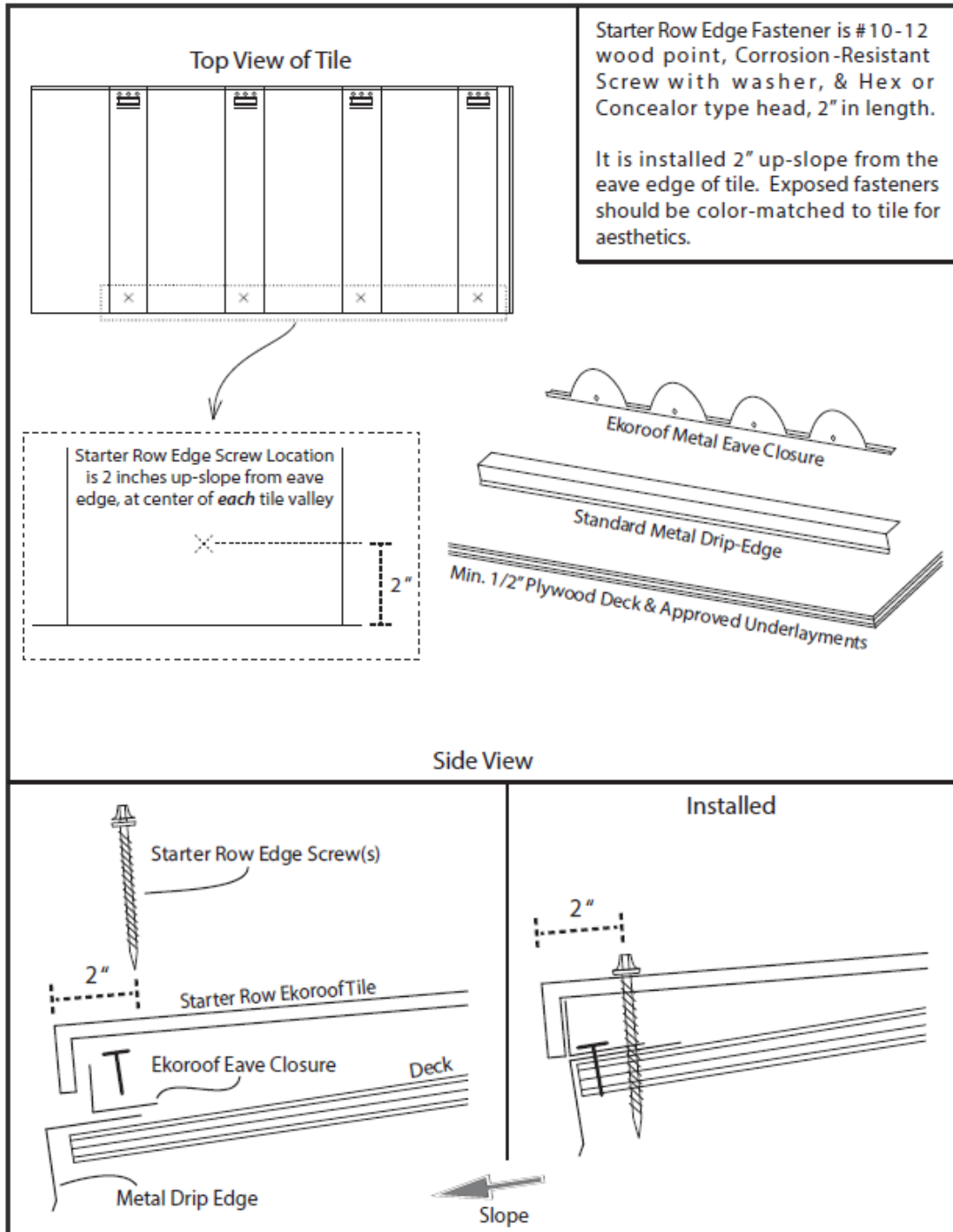


© Copyright 2005-2019 Ekorooftile, Limited



NOA No.: 19-0820.04
 Expiration Date: 07/04/24
 Approval Date: 12/12/19
 Page 6 of 9

DETAIL B STARTER ROW DETAIL



© Copyright 2005-2019 Ekorooft, Limited

drawings not to scale

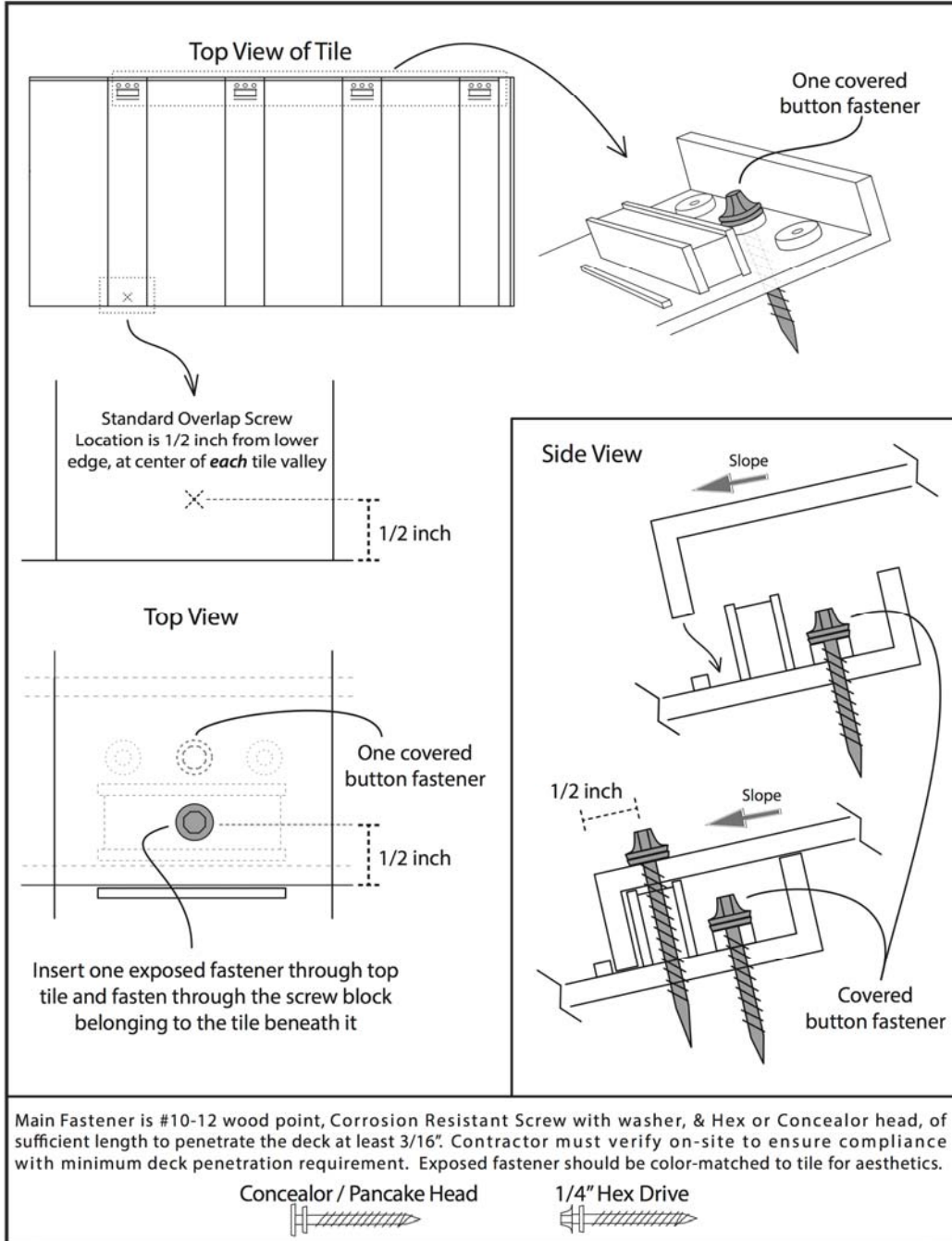


NOA No.: 19-0820.04
 Expiration Date: 07/04/24
 Approval Date: 12/12/19
 Page 7 of 9

DETAIL C

EKOROOF TILE – INSTALLATION DETAIL – FIELD CONDITIONS

Ekorooft Attachment Method 1, 86 PSF



© Copyright 2005-2019 Ekorooft, Limited

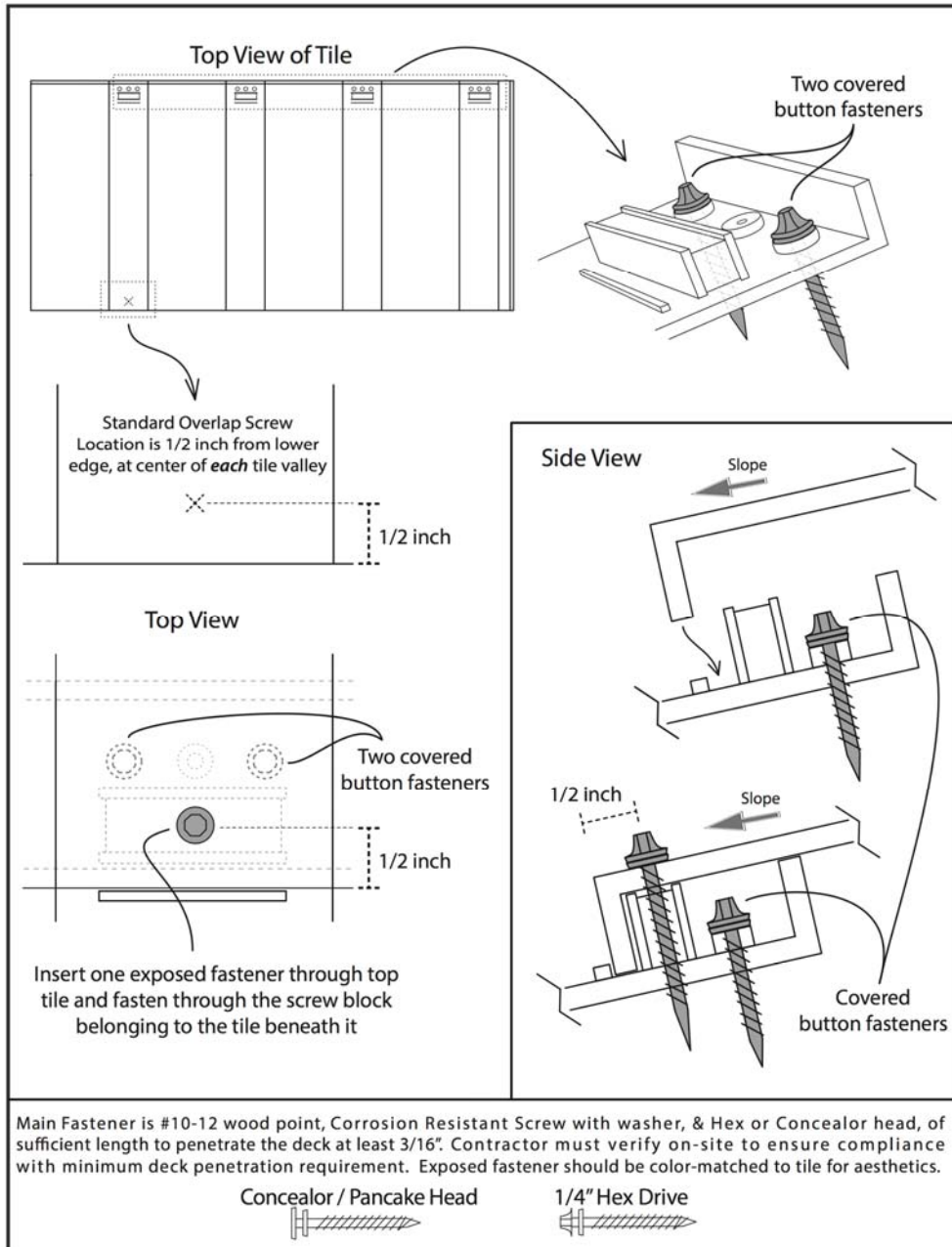
drawings not to scale



NOA No.: 19-0820.04
 Expiration Date: 07/04/24
 Approval Date: 12/12/19
 Page 8 of 9

DETAIL D
EKOROOF TILE – INSTALLATION DETAIL – PERIMETER AND CORNER
CONDITIONS

Ekoroof Attachment Method 2, 146 PSF



© Copyright 2005-2019 Ekoroof, Limited

drawings not to scale

(ALL OTHER DETAILS: PUBLISHED INSTALLATION DETAILS)
END OF THIS ACCEPTANCE



NOA No.: 19-0820.04
 Expiration Date: 07/04/24
 Approval Date: 12/12/19
 Page 9 of 9