



DEPARTMENT OF REGULATORY AND ECONOMIC RESOURCES (RER)  
BOARD AND CODE ADMINISTRATION DIVISION

MIAMI-DADE COUNTY  
PRODUCT CONTROL SECTION  
11805 SW 26 Street, Room 208  
Miami, Florida 33175-2474  
T (786) 315-2590 F (786) 315-2599

[www.miamidade.gov/economy](http://www.miamidade.gov/economy)

**NOTICE OF ACCEPTANCE (NOA)**

**Trane US, Inc.**  
1515 Mercer Road  
Lexington, KY 40511

**SCOPE:**

This NOA is being issued under the applicable rules and regulations governing the use of construction materials. The documentation submitted has been reviewed and accepted by Miami-Dade County RER- Product Control Section to be used in Miami Dade County and other areas where allowed by the Authority Having Jurisdiction (AHJ).

This NOA shall not be valid after the expiration date stated below. The Miami-Dade County Product Control Section (In Miami Dade County) and/or the AHJ (in areas other than Miami Dade County) reserve the right to have this product or material tested for quality assurance purposes. If this product or material fails to perform in the accepted manner, the manufacturer will incur the expense of such testing and the AHJ may immediately revoke, modify, or suspend the use of such product or material within their jurisdiction. RER reserves the right to revoke this acceptance, if it is determined by Miami-Dade County Product Control Section that this product or material fails to meet the requirements of the applicable building code.

This product is approved as described herein, and has been designed to comply with the High Velocity Hurricane Zone of the Florida Building Code.

**DESCRIPTION: Trane Performance Climate Changer Air Handler – Size 50 Stacked Unit**

**APPROVAL DOCUMENT:** Drawing No. AIRS0672, titled “Trane Performance Climate Changer Air Handler – Size 50 Stacked Unit”, sheets 1 through 47 of 47, prepared by Wolters Engineering, Inc., dated September 06, 2013, signed and sealed by Scott Wolters, P.E., on November 06, 2013, bearing the Miami-Dade County Product Control Revision stamp with the Notice of Acceptance number and the expiration date by the Miami-Dade County Product Control Section.

**MISSILE IMPACT RATING: Large and Small Missile Impact Resistant**

**LABELING:** Each unit shall bear a permanent label with the manufacturer's name or logo, Lexington, KY and Columbia, SC and the following statement: "Miami-Dade County Product Control Approved", unless otherwise noted herein.

**RENEWAL** of this NOA shall be considered after a renewal application has been filed and there has been no change in the applicable building code negatively affecting the performance of this product.

**TERMINATION** of this NOA will occur after the expiration date or if there has been a revision or change in the materials, use, and/or manufacture of the product or process. Misuse of this NOA as an endorsement of any product, for sales, advertising or any other purposes shall automatically terminate this NOA. Failure to comply with any section of this NOA shall be cause for termination and removal of NOA.

**ADVERTISEMENT:** The NOA number preceded by the words Miami-Dade County, Florida, and followed by the expiration date may be displayed in advertising literature. If any portion of the NOA is displayed, then it shall be done in its entirety.

**INSPECTION:** A copy of this entire NOA shall be provided to the user by the manufacturer or its distributors and shall be available for inspection at the job site at the request of the Building Official.

This NOA revises NOA #18-1211.03 and consists of this page 1, evidence submitted pages E-1, E-2 & E-3 as well as approval document mentioned above.

The submitted documentation was reviewed by **Helmy A. Makar, P.E., M.S.**

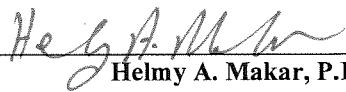


*Helmy A. Makar*  
01/16/2020

NOA No. 19-1205.09  
Expiration Date: 11/21/2023  
Approval Date: 01/16/2020

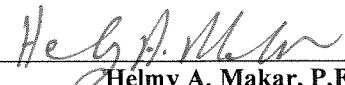
**NOTICE OF ACCEPTANCE: EVIDENCE SUBMITTED**

- 1. EVIDENCE SUBMITTED UNDER PREVIOUS APPROVAL #12-0629.02**
  - A. DRAWINGS:**
    - 1. *Drawing No. AIRS0672, titled "Trane Performance Climate Changer Air Handler - Size 50 Stacked Unit", sheets 1 through 47 of 47, prepared by Wolters Engineering, Inc., dated September 06, 2013, signed & sealed by Scott Wolters, P.E., on 11/06/2013.*
  - B. TESTS:**
    - 1. *Test report on Large Missile Impact Test, Cyclic Wind Pressure Test and Uniform Static Air Pressure Test of Trane Performance Climate Changer Air Handler Size 50 Stacked Unit, prepared by Hurricane Test Laboratory, Inc., Report No. 0254-0607-11, dated 04/09/2012, signed and sealed by Vinu J. Abraham, P.E.*
  - C. CALCULATIONS:**
    - 1. *Panel and fasteners analysis prepared by Wolters Engineering, Inc., dated September 13, 2012, signed and sealed by Scott Wolters, P.E., on September 11, 2013.*
  - D. QUALITY ASSURANCE**
    - 1. *By Miami-Dade County Department of Regulatory and Economic Resources.*
  - E. MATERIAL CERTIFICATIONS**
    - 1. *Tape properties by Butly.*
    - 2. *Rigid Froth-Foam properties.*
    - 3. *Industrial Polyurethane Adhesive/Sealant properties by Sikaflex.*
  - F. STATEMENTS**
    - 1. *FBC, 2010 conformance letter, dated 07/23/12, signed & sealed by Scott Wolters, P.E.*
- 2. EVIDENCE SUBMITTED UNDER PREVIOUS APPROVAL #14-1120.13**
  - A. DRAWINGS:**
    - 1. *None.*
  - B. TESTS:**
    - 1. *None.*
  - C. CALCULATIONS:**
    - 1. *None.*
  - D. QUALITY ASSURANCE**
    - 1. *By Miami-Dade County Department of Regulatory and Economic Resources.*
  - E. MATERIAL CERTIFICATIONS**
    - 1. *None.*
  - F. STATEMENTS**
    - 1. *FBC, 2014 conformance letter, dated 02/10/2015, signed & sealed by Scott Wolters, P.E.*

  
\_\_\_\_\_  
Helmy A. Makar, P.E., M.S.  
Product Control Section Supervisor  
NOA No. 19-1205.09  
Expiration Date: 11/21/2023  
Approval Date: 01/16/2020

**NOTICE OF ACCEPTANCE: EVIDENCE SUBMITTED**

- 3. EVIDENCE SUBMITTED UNDER PREVIOUS APPROVAL #18-0212.08**
  - A. DRAWINGS:**
    - 1. *None.*
  - B. TESTS:**
    - 1. *None.*
  - C. CALCULATIONS:**
    - 1. *None.*
  - D. QUALITY ASSURANCE**
    - 1. *By Miami-Dade County Department of Regulatory and Economic Resources.*
  - E. MATERIAL CERTIFICATIONS**
    - 1. *None.*
  - F. STATEMENTS**
    - 1. *FBC, 2017 compliance letter, dated 11/07/2017, signed & sealed by Scott Wolters, P.E.*
  
- 4. EVIDENCE SUBMITTED UNDER PREVIOUS APPROVAL #18-1211.03**
  - A. DRAWINGS:**
    - 1. *None.*
  - B. TESTS:**
    - 1. *None.*
  - C. CALCULATIONS:**
    - 1. *None.*
  - D. QUALITY ASSURANCE**
    - 1. *By Miami-Dade County Department of Regulatory and Economic Resources.*
  - E. MATERIAL CERTIFICATIONS**
    - 1. *None.*
  - F. STATEMENTS**
    - 1. *FBC, 2017 compliance letter, dated 11/07/2017, signed & sealed by Scott Wolters, P.E.*
  
- 5. NEW EVIDENCE SUBMITTED**
  - A. DRAWINGS:**
    - 1. *None.*
  - B. TESTS:**
    - 1. *None.*

  
\_\_\_\_\_  
Helmy A. Makar, P.E., M.S.  
Product Control Section Supervisor  
NOA No. 19-1205.09  
Expiration Date: 11/21/2023  
Approval Date: 01/16/2020

**NOTICE OF ACCEPTANCE: EVIDENCE SUBMITTED**

**C. CALCULATIONS:**

1. *None.*

**D. QUALITY ASSURANCE**

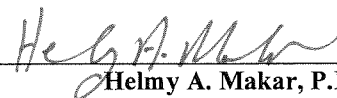
1. *By Miami-Dade County Department of Regulatory and Economic Resources.*

**E. MATERIAL CERTIFICATIONS**

1. *None.*

**F. STATEMENTS**

1. *FBC, 2017 compliance letter, dated 11/07/2017, signed & sealed by Scott Wolters, P.E.*

  
\_\_\_\_\_  
Helmy A. Makar, P.E., M.S.  
Product Control Section Supervisor  
NOA No. 19-1205.09  
Expiration Date: 11/21/2023  
Approval Date: 01/16/2020

**GENERAL NOTES, TRANE PERFORMANCE CLIMATE CHANGER AIR HANDLER - SIZE 50 STACKED UNIT.**

1. THIS PRODUCT, FABRICATED AND ANCHORED AS DETAILED IN THIS DRAWING, IS LARGE MISSILE IMPACT RESISTANT AND DOES NOT REQUIRE THE USE OF IMPACT PROTECTIVE DEVICES. ALLOWABLE UNIT WALL DESIGN PRESSURE IS +/- 75 PSF, AND THE ROOF DESIGN PRESSURE IS +/- 56.25 PSF. THIS PRODUCT APPROVAL IS APPLICABLE TO UNIT SIZES 35 THROUGH 50; THE SIZE 50 IS SHOWN IN THIS APPROVAL.
2. THIS PRODUCT HAS BEEN TESTED TO TAS 201-94, TAS 202-94 STRUCTURAL LOADS, AND TAS 203-94 (REF. TEST REPORT HTL-0254-0607-11), AND MEETS THE HIGH VELOCITY HURRICANE ZONE REQUIREMENTS OF THE FLORIDA BUILDING CODE, 2010 EDITION. THIS PRODUCT IS NOT RATED FOR WATER INFILTRATION RESISTANCE AND HAS NOT BEEN TESTED FOR WIND DRIVEN RAIN. THE TESTED PRODUCT REMAINED OPERABLE AFTER IMPACT/CYCLIC TESTS WERE COMPLETED.
3. THIS PRODUCT APPROVAL IS GENERIC IN NATURE AND DOES NOT PROVIDE INFORMATION FOR SPECIFIC PROJECTS WHERE THE CONDITIONS VARY FROM THIS DOCUMENT. THE FLORIDA LICENSED ENGINEER OR ARCHITECT OF RECORD FOR THE PROJECT SHALL BE RESPONSIBLE FOR THE DESIGN, SIZING, AND STRUCTURAL ADEQUACY OF THE PRODUCT FRAMEWORK AS WELL AS CURBING AND ATTACHMENT TO THE ROOF, OR AS ACCEPTED BY THE CORRESPONDING BUILDING DEPARTMENTS.
4. THE STRUCTURAL ADEQUACY OF THE ROOF TO SUPPORT THIS EQUIPMENT IS NOT PART OF THE SCOPE OF THIS PRODUCT APPROVAL AND SHALL BE REVIEWED BY THE CORRESPONDING BUILDING DEPARTMENTS. ANCHORAGE SHOWN HEREIN HAS BEEN ANALYZED FOR SLIDING AND OVERTURNING LOADS FOR THE CONFIGURATION INDICATED, AND SMALLER CONFIGURATIONS ASSUMING THE HEIGHT IS NO MORE THAN TWICE THE WIDTH. OTHER CONFIGURATIONS NOT INDICATED HERE SHALL BE ANALYZED BY THE DESIGN PROFESSIONAL OF RECORD TO PREVENT SLIDING AND OVERTURNING OF THE EQUIPMENT, AND SHALL BE REVIEWED BY THE CORRESPONDING BUILDING DEPARTMENTS. SEE PAGE 39.
5. THIS PRODUCT APPROVAL IS FOR THE STRUCTURAL AND IMPACT/CYCLIC PERFORMANCE OF THE AIR HANDLER, INCLUDING OPTIONAL 2 LEVEL SECTION AND PIPE CABINET, ENCLOSURES. THESE ENCLOSURES INCLUDE THE OPTIONAL EXTERNALLY MOUNTED COMPONENTS AS SHOWN IN THE DRAWINGS, FOR EXAMPLE HOODS ATTACHED TO AIR INTAKES AND EXHAUST OPENINGS, WINDOWS/VIEWPORTS, AND DOORS, AS WELL AS MINIHELIC GAUGES, JUNCTION BOXES, UV INTENSITY METERS, DISCONNECT SWITCHES, RACEWAYS, AND GFCI INTERFACES. THIS PRODUCT APPROVAL DOES NOT INCLUDE INTERNALLY MOUNTED COMPONENTS OR ANY ELECTRICAL DEVICES OR CIRCUITRY.
6. THE PRODUCT IS CONSTRUCTED IN BUILD GROUPS. BUILD GROUPS MAY BE ASSEMBLED INTO SHIPPING SECTIONS; ASSEMBLY SHALL BE WITH SPLICE PLATES AS SHOWN HEREIN. BUILD GROUPS OR SHIPPING SECTIONS MAY BE FURTHER ASSEMBLED INTO INSTALLED UNIT; ASSEMBLY SHALL BE WITH THREADED ROD BETWEEN LIFTING LUGS AS SHOWN HEREIN. THE UNITS MAY BE STACKED UP TO TWO HIGH AS SHOWN IN THESE DRAWINGS. IF STACKED, THE UPPER AND LOWER LEVELS SHALL BE THE SAME OVERALL WIDTH AND LENGTH, DIFFERING FOOTPRINTS BETWEEN UPPER AND LOWER LEVEL ARE NOT ALLOWED.
7. ENERGY WHEEL SECTION (ALSO KNOWN AS 2 LEVEL SECTION- 2L SECTION) AND PIPE CABINET (PC) SECTIONS MAY BE ADDED INTO THE ASSEMBLY. IF USED, ASSEMBLY WITH OTHER BUILD UNITS OR SHIPPING SECTIONS SHALL BE WITH THREADED ROD BETWEEN LIFTING LUGS AS SHOWN HEREIN.
8. THE 4/3 ALLOWABLE STRESS INCREASE HAS NOT BEEN USED IN THE ANCHOR ANALYSIS FOR THIS SYSTEM.
9. DISSIMILAR MATERIALS THAT COME INTO CONTACT SHALL BE COATED OR OTHERWISE PROTECTED PER FBC TO PREVENT GALVANIC REACTIONS.
10. ALL HARDWARE & FASTENERS SHALL BE IN ACCORDANCE WITH THESE DRAWINGS & MAY NOT VARY UNLESS SPECIFICALLY MENTIONED ON THE DRAWINGS. SPECIFIED EMBEDMENT TO BASE MATERIAL SHALL BE BEYOND ALL FINISHES.
11. ACRONYMS USED IN THIS APPROVAL ARE AS FOLLOWS: EOU IS END OF UNIT, DOAF IS DIRECTION OF AIR FLOW, SS IS SHIPPING SPLIT, PC IS PIPE CABINET, 2L IS THE 2 LEVEL SECTION.
12. ALL UNITS OF MEASURE ARE IN INCHES UNLESS OTHERWISE SPECIFIED
13. 2" MAX. DIAMETER CIRCULAR HOLES MAY BE FIELD DRILLED THROUGH THE EXTERIOR WALLS FOR INSTALLATION OF CONDUIT OR COMPONENTS. HOLES SHALL BE PROTECTED FROM WIND BY CONNECTED EQUIPMENT OR CONDUIT, BY OTHERS, AND PROPER SEALING TO PREVENT AIR EXCHANGE SHALL BE BY OTHERS. HOLES SHALL BE 3" MAX. FROM ANY PANEL EDGE, SEE DETAIL B, SHEET 16. MAX. 4 FIELD-DRILLED HOLES PER PANEL, 12" ON CENTER MINIMUM.

Approved as complying with the  
Florida Building Code  
Date 11/21/2013  
NOA# 12-0629-02  
Miami Dade Product Control  
By [Signature]

PRODUCT REVISED  
as complying with the Florida  
Building Code  
Acceptance No 19-1205.09  
Expiration Date 11/21/2023  
By [Signature]  
Miami Dade Product Control

PRODUCT RENEWED  
as complying with the Florida  
Building Code  
Acceptance No 18-1211.03  
Expiration Date 11/21/2023  
By [Signature]  
Miami Dade Product Control

PRODUCT REVISED  
as complying with the Florida  
Building Code  
Acceptance No 18-0212.08  
Expiration Date 11/21/2018  
By [Signature]  
Miami Dade Product Control

PRODUCT REVISED  
as complying with the Florida  
Building Code  
Acceptance No 14-1120.13  
Expiration Date 11/21/2018  
By [Signature]  
Miami Dade Product Control

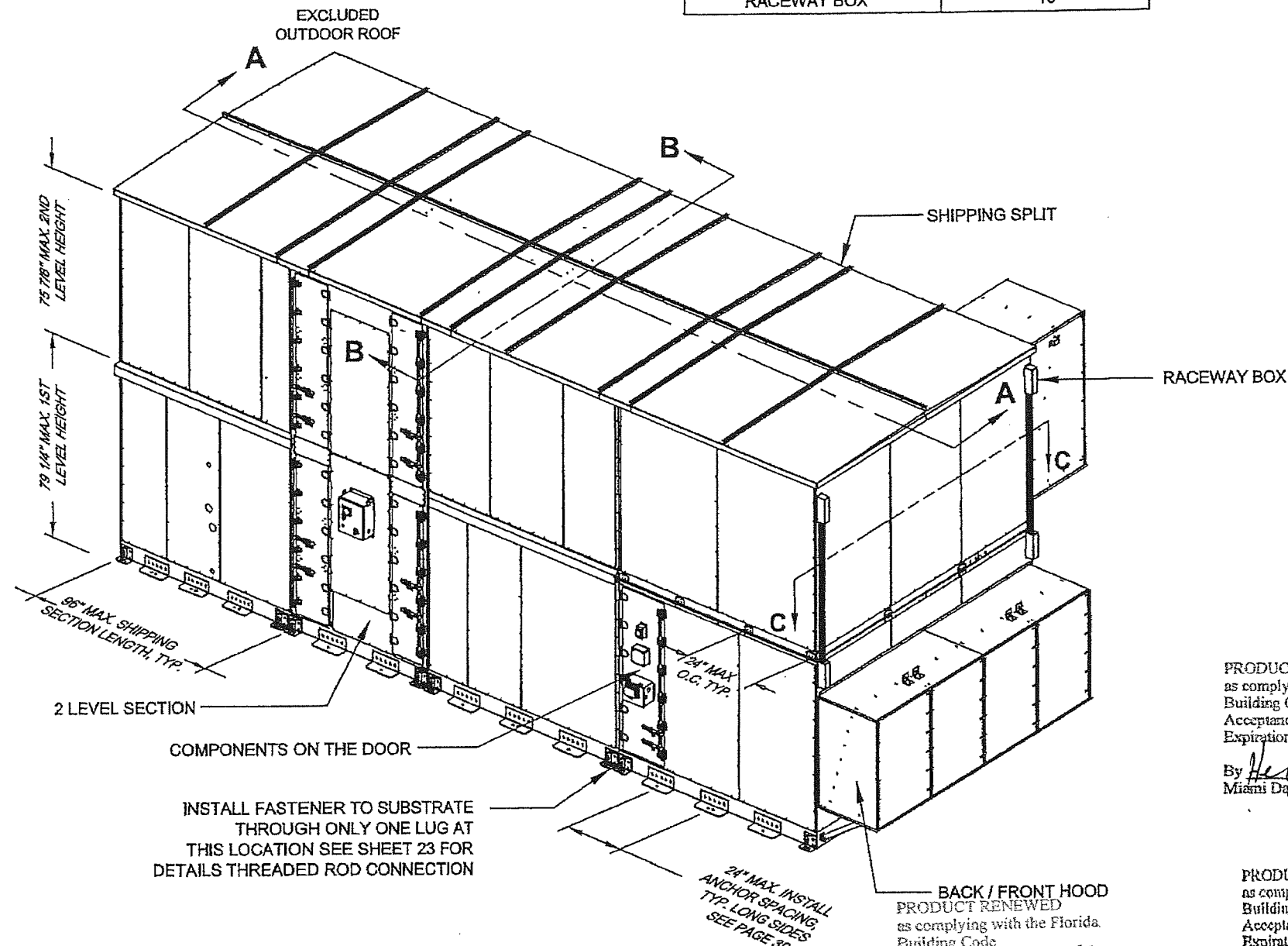
[Signature]  
**SCOTT WOLTERS**  
FL PE# 62354  
WOLTERS ENGINEERING, INC.  
(COA# 27194)  
5358 SW 32ND TERRACE  
FT. LAUDERDALE, FL 33312  
NOV 06 2013

DRAWING #	<b>AIRS0672</b>	DESC.	<b>TRANE PERFORMANCE CLIMATE CHANGER AIR HANDLER - SIZE 50 STACKED UNIT</b>	<b>TRANE</b> US Inc.	REV. HISTORY	---	BY:	<b>K.YUVARAJA</b>	REV.	<b>A</b>
SHEET	<b>1 OF 47</b>				MOCK UPDWG SHEET REF:	---	SCALE:	<b>NTS</b>	DATE	<b>06-SEP-2013</b>

GENERIC FOAM PANEL CROSS SECTION DETAILS

COMPONENTS	DETAILS ON PAGE
BACK/FRONT HOOD	24 - 26
ENERGY WHEEL SECTION (2L SECTION)	32-38
COMPONENTS ON THE DOOR	10
RACEWAY BOX	16

CROSS SECTION	REFERENCE PAGE
A-A	6
B-B	5
C-C	7



PRODUCT REVISED  
as complying with the Florida  
Building Code  
Acceptance No **19-1205.09**  
Expiration Date **NOV 21 2023**  
By *Helga A. Miller*  
Miami Dade Product Control

PRODUCT REVISED  
as complying with the Florida  
Building Code  
Acceptance No **18-0212-08**  
Expiration Date **11/21/2018**  
By *Helga A. Miller*  
Miami Dade Product Control

PRODUCT REVISED  
as complying with the Florida  
Building Code  
Acceptance No **14-1120-13**  
Expiration Date **11/21/2018**  
By *Helga A. Miller*  
Miami Dade Product Control

Approved as complying with the  
Florida Building Code  
Date **11/21/2013**  
NOA# **12-0629-02**  
Miami Dade Product Control  
By *Helga A. Miller*

*Scott Wolters*  
**SCOTT WOLTERS**  
FL PE# 62354  
**WOLTERS ENGINEERING, INC.**  
(COA# 27194)  
5358 SW 32ND TERRACE  
FT. LAUDERDALE, FL 33312  
**NOV 09 2013**

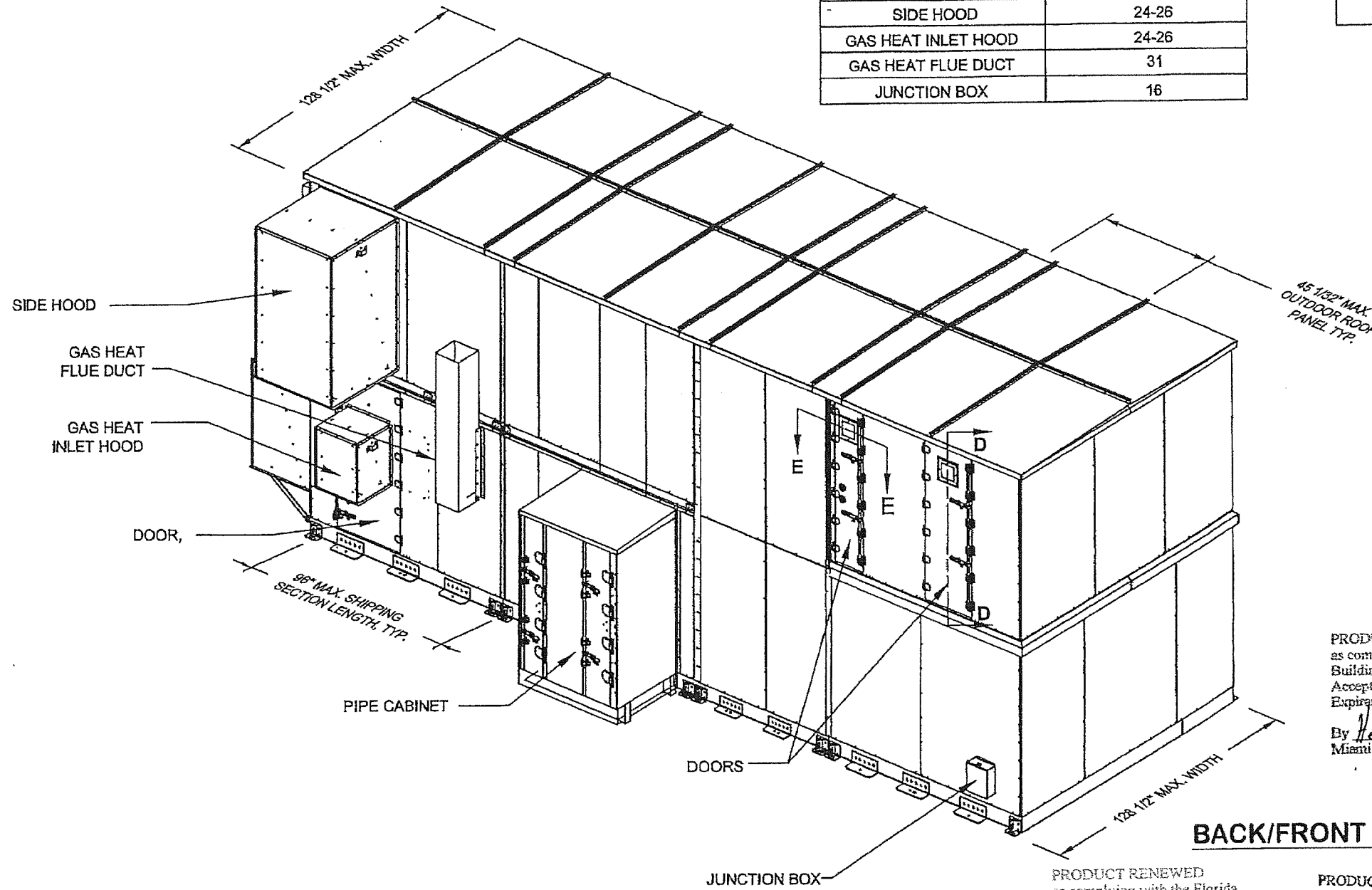
**THE LIFTING LUG AND ANCHOR SIDE OF THE  
UNIT IS REFERED TO AS THE UNIT SIDES.**

DRAWING # <b>AIRS0672</b>	DESC. <b>TRANE PERFORMANCE CLIMATE CHANGER AIR HANDLER - SIZE 50 STACKED UNIT</b>	<b>TRANE</b> US Inc.	REV. HISTORY --- MOCK UPDWG SHEET REF: ---	BY: <b>K.YUVARAJA</b> SCALE: <b>NTS</b>	REV. <b>A</b> DATE <b>06-SEP-2013</b>
SHEET <b>2 OF 47</b>	SECTION				

GENERIC FOAM PANEL CROSS SECTION DETAILS

COMPONENTS	DETAILS ON PAGE
PIPE CABINET	27-30
SIDE HOOD	24-26
GAS HEAT INLET HOOD	24-26
GAS HEAT FLUE DUCT	31
JUNCTION BOX	16

CROSS SECTION	REFERENCE PAGE
D-D	8
E-E	8



45 1/2\"/>

PRODUCT REVISED  
 as complying with the Florida  
 Building Code 19-1205.09  
 Acceptance No. \_\_\_\_\_  
 Expiration Date NOV 21 2023  
 By *Heidi A. Miller*  
 Miami Dade Product Control

PRODUCT REVISED  
 as complying with the Florida  
 Building Code 18-0212.08  
 Acceptance No. \_\_\_\_\_  
 Expiration Date 11/21/2018  
 By *Heidi A. Miller*  
 Miami Dade Product Control

Approved as complying with the  
 Florida Building Code  
 Date 11/21/2013  
 NOA# 12-0629.02  
 Miami Dade Product Control  
 By *Heidi A. Miller*

PRODUCT RENEWED  
 as complying with the Florida  
 Building Code 18-1211.03  
 Acceptance No. \_\_\_\_\_  
 Expiration Date 11/21/2023  
 By *Heidi A. Miller*  
 Miami Dade Product Control

PRODUCT REVISED  
 as complying with the Florida  
 Building Code 14-1120.13  
 Acceptance No. \_\_\_\_\_  
 Expiration Date 11/21/2018  
 By *Heidi A. Miller*  
 Miami Dade Product Control

*Scott Wolters*  
 SCOTT WOLTERS  
 FL PE# 62354  
 WOLTERS ENGINEERING, INC.  
 (COA# 27194)  
 5358 SW 32ND TERRACE  
 FT. LAUDERDALE, FL 33312  
 NOV 06 2013

BACK/FRONT VIEW

NOTE:  
 1. THE LIFTING LUGS ARE ATTACHED TO THE SIDES OF THE UNIT.

DRAWING # <b>AIRS0672</b>	DESC. <b>TRANE PERFORMANCE CLIMATE CHANGER AIR HANDLER - SIZE 50 STACKED UNIT</b>	<b>TRANE</b> US Inc.	REV. HISTORY --- MOCK UP/DWG SHEET REF: ---	BY: <b>K.YUVARAJA</b>	REV. <b>A</b>
SHEET 3 OF 47	SECTION			SCALE: <b>NTS</b>	DATE <b>06-SEP-2013</b>

BILL OF MATERIALS		
1	10-16 x .75" SELF-DRILLING SCREW	GRADE 5 STEEL
2	.125" THICK x 2" WIDE TAPE	BUTYL
3	.188 (.06" COMPRESSED) x .625" GASKET	PVC/NBR
4	10-16 x 1.75" SELF-DRILLING SCREW	GRADE 5 STEEL
5	DECORATIVE COVER	GALV. STEEL
6		
7	.120" THICK x 1" WIDE TAPE	BUTYL
8	.375" THICK x .750" WIDE GASKET	PORON
9	HAT CHANNEL	GALV. STEEL
10	DOOR HINGE	GALV. STEEL
11	DOOR CAM BRACKET	GALV. STEEL
12	STRIKER PLATE	GALV. STEEL
13	.06" THICK x .5" WIDE TAPE	BUTYL
14	WINDOW 3/16" PLEXIGLASS 8 3/4" x 8 3/4"	PLEXIGLASS
15		
16	STRUCT. ADHESIVE SIKAFLEX 552	POLYMER
17	1/4"-14 x 3/4" SELF-DRILLING SCREW	GRADE 5 STEEL
18	UV DISCONNECT SWITCH	VARIES
19	INTENSITY MEASUREMENT METER	VARIES
20	GFCI JUNCTION BOX	GALV. STEEL
21	CONDUIT 1" RUNNING THREAD	GALV. STEEL
22	1" CONDUIT NUT	GALV. STEEL
23	1" CONDUIT BUSHING	GALV. STEEL
24	CONDUIT 1/2" RUNNING THREAD	GALV. STEEL
25	1/2" CONDUIT NUT	GALV. STEEL
26	1/2" CONDUIT BUSHING	GALV. STEEL
27	MINIHELIC GAUGE	VARIES
28	4-40 x 1 1/4" PHILLIPS PAN HEAD SCREW	GRADE 5 STEEL
29	ELBOW	GALV. STEEL
30	.06" THICK x 0.38" WIDE TAPE	BUTYL
31	FOAM RETAINER	GALV. STEEL
32	GANGED DOOR HANDLE ASSEMBLY	GALV. STEEL
33	DOOR VIEWER	VARIES
34		
35	PADLOCK BRACKET	GALV. STEEL
36	1/4-20 x 1/4" SET SCREW	GRADE 5 STEEL
37	10-16 x 1/2" SELF-DRILLING SCREW	GRADE 5 STEEL
38	.5" x 2.5" x 2.5" SPECIALTY GASKET	PVB/NBR
39	5/16"-18 x 7/8" SHEET METAL SCREW	GRADE 5 STEEL
40	SECOND LEVEL BASE RAIL	GALV. STEEL
41	STACKED UNIT BRACKET	GALV. STEEL
42	1" (.25" COMPR.) x 4" STACKED UNIT GASKET	PVC/NBR
43	STACKED UNIT SKIRT	GALV. STEEL
44	FIRST LEVEL BASE RAIL	GALV. STEEL
45		
46	FOAM COVER	GALV. STEEL
47	FOAM COVER CORNER	GALV. STEEL
48	MULLION	GALV. STEEL
49	JUNCTION BOX	GALV. STEEL
50	SEALANT, SIKAFLEX 221 CAULK	POLYMER
51	RACEWAY BOX	GALV. STEEL
52	DISCONNECT SWITCH ASSEMBLY	VARIES
53	DISCONNECT SWITCH BLOCKOFF	GALV. STEEL
54	.0325" THICK x 1.88" x 15.88" GASKET	POLYOLEFIN
55	.0325" THICK x 3" x 17" GASKET	POLYOLEFIN
56	DISCONNECT HANDLE KIT (NON STRUCTURAL)	VARIES
57	THREADED ROD 1/2"-13 x 10.5"	GALV. STEEL
58	NUT 1/2"-13 HEX MACHINE	GALV. STEEL
59	WASHER .563" ID x 1.375" OD	GALV. STEEL
60	SCREW 1/2"-13 x 1.2 HEX CAP HEAD	GALV. STEEL
61	LIFTING LUG (1ST LEVEL)	GALV. STEEL
62	0.06" THICK LUG GASKET	PVC/NBR
63	BASE RAIL SPLICE PLATE	GALV. STEEL
64		
65	BOLT 5/16"-18 x 6" HEX MACHINE	GALV. STEEL
66	WASHER .375" ID x .875 OD	GALV. STEEL
67	NUT 5/16"-18 HEX FLANGE (HW)	GALV. STEEL
68	LIFTING LUG (2ND LEVEL)	GALV. STEEL
69	ROOF KEEL	GALV. STEEL
70	STRUCT. ADHESIVE SIKAFLEX 3131S	POLYMER
71	ROOF BACKING PLATE	GALV. STEEL
72	.188" (.06" COMPRESSED) x 1.25" GASKET	PVC/NBR
73	DOOR FOOTER	GALV. STEEL
74	SUPPORT MULLION ASSEMBLY	GALV. STEEL
75	BASE SUPPORT CHANNEL / PC BASE L ANGLE	GALV. STEEL
76	DRIP LIP	GALV. STEEL
77	PC SHIPPING BRACKET	GALV. STEEL
78	3/8"-16 x 1 1/4" HEX CAP SCREW	GRADE 5 STEEL
79	3/8"-16 HEX NUT	GRADE 5 STEEL
80	PC BASE RAIL	GALV. STEEL
81	CHAIN GUIDE/GUARD	GALV. STEEL
82	3/8"-16 x 3" BOLT	GRADE 5 STEEL
83	.03" THICK x 2" WIDE ALUMINUM CLAD TAPE	VARIES
84	UNIT WELD BRACKET	GALV. STEEL
85	INTERNAL WALL SPLICE PLATE	GALV. STEEL
86	PC ROOF ANGLE	GALV. STEEL
87	EXTERNAL WALL SPLICE PLATE	GALV. STEEL
88	1/2"-13 x 1.2" HEX CAP BOLT	GRADE 5
89		
90	CROSS BEAM	GALV. STEEL
91	SHIPPING SPLIT SUPPORT ANGLE PTAF	GALV. STEEL
92	SHIPPING SPLIT VERTICAL CHANNEL	GALV. STEEL
93	SLIP FIT CHANNEL	GALV. STEEL
94	VERTICAL CHANNEL	GALV. STEEL
95	TRANSITION HAT CHANNEL	GALV. STEEL
96	TOP L ANGLE / SEPTUM L ANGLE	GALV. STEEL
97	VERTICAL CHANNEL BRACKET	GALV. STEEL
98	.38" THICK x .35" WIDE ROLL	BUTYL
99	SEAM CAP	GALV. STEEL
100	.38" THICK x 2" WIDE ROLL	BUTYL
101	SEAM CAP	GALV. STEEL
102	ROOF STRIP	GALV. STEEL
103	OVERHANG	GALV. STEEL
104	A-FRAME HORIZONTAL	GALV. STEEL
105	A-FRAME VERTICAL	GALV. STEEL
106	HOOD LIFTING LUG ANGLE	GALV. STEEL
107	HOOD LIFTING LUG	GALV. STEEL
108	HOOD SUPPORT	GALV. STEEL
109	HOOD BRACKET	GALV. STEEL
110	HOOD L-ANGLE	GALV. STEEL
111	HOOD SUPPORT TOP CHANNEL	GALV. STEEL
112		
113	WALL ANCHOR	GALV. STEEL
114	DOUBLE SIDED TAPE 1/16 (COMPR.) x 3/4 x 216	PVC/NBR
115	PC ROOF KEEL	ALUMINUM 6063-T6
116	KEEPER/DOOR CAM	ZAMAK#3
117	DOOR CAM BRACKET	STEEL 0.060
118	CROSS BEAM BRACKET	GALV. STEEL
119	EOU WALL SUPPORT CHANNEL	GALV. STEEL
120	FLUE DUCT L ANGLE	GALV. STEEL
121	SHIP SPLIT SPLICE PLATE	GALV. STEEL
122	ROOF BACKING PLATE	GALV. STEEL
123	NEW DOOR HEADER - NEW STYLE	GALV. STEEL
124	FLAT BACKING PLATE	GALV. STEEL
125	BOTTOM SMALL ANGLE	GALV. STEEL
126	BOTTOM CAP	STAINLESS STEEL
127	FLUE DUCT	STAINLESS STEEL
128	SUPPORT GUSSET	GALV. STEEL
129	SUPPORT GUSSET BRACKET	GALV. STEEL
130	0.125 X 5/16" RIVETS	GALV. STEEL
131	CASSETTE TRACK VERTICAL	GALV. STEEL
132	BOLT; 1/2-13 X 1 1/4 CARRIAGE	GRADE 5
133	DOOR HEADER - OLDER STYLE	GALV. STEEL
134	CORNER SEAM CAP	GALV. STEEL
135	UV VIEW PORT	GALV. STEEL
136	DOAF ROOF SUPPORT CHANNEL	GALV. STEEL
137	HAT CHANNEL BRACKET	GALV. STEEL
138	COLUMN SPACER	GALV. STEEL
139	TRACK SUPPORT DOAF	GALV. STEEL
140	HORIZONTAL SUPPORT CHANNEL	GALV. STEEL
141	CASSETTE TRACK	GALV. STEEL
142	TOP CASSETTE TRACK	GALV. STEEL
143	CASSETTE/SEPTUM L ANGLE	GALV. STEEL
144	PC LIFTING LUG	GALV. STEEL
145	DOAF BASE SUPPORT CHANNEL	GALV. STEEL
146		
147	CORNER BLOCK SECOND LEVEL	GALV. STEEL
148	CORNER BLOCK FIRST LEVEL	GALV. STEEL
149	DOOR TUBE	STEEL

NOTE: PVC/NBR IN BOM TO THE LEFT INDICATES POLYVINYL CHLORIDE / ACRYLONITRILE BUTADIENE RUBBER, SINGLE-SIDED EXCEPT ITEM 114.

PRODUCT RENEWED  
as complying with the Florida  
Building Code  
Acceptance No 18-1211.03  
Expiration Date 11/21/2023  
By *Heidi A. Miller*  
Miami Dade Product Control

PRODUCT REVISED  
as complying with the Florida  
Building Code  
Acceptance No 19-1205.09  
Expiration Date NOV 21 2023  
By *Heidi A. Miller*  
Miami Dade Product Control

PRODUCT REVISED  
as complying with the Florida  
Building Code  
Acceptance No 18-0212.08  
Expiration Date 11/21/2018  
By *Heidi A. Miller*  
Miami Dade Product Control

PRODUCT REVISED  
as complying with the Florida  
Building Code  
Acceptance No 14-1120.13  
Expiration Date 11/21/2018  
By *Heidi A. Miller*  
Miami Dade Product Control

Approved as complying with the  
Florida Building Code  
Date 11/21/2013  
NOA# 12-0629.02  
Miami Dade Product Control  
By *Heidi A. Miller*

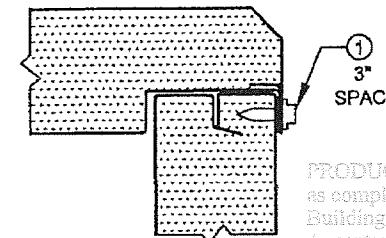
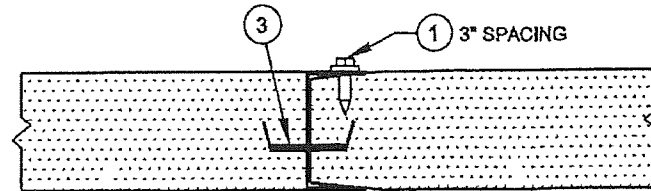
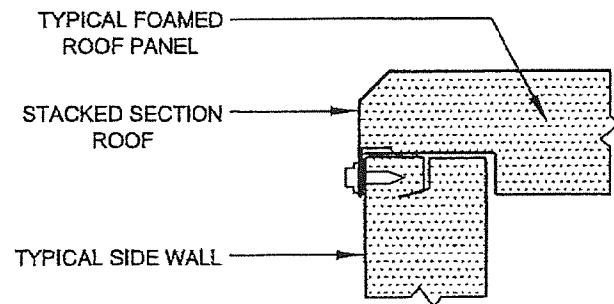
*Scott Wolters*  
SCOTT WOLTERS  
FL PE# 62354  
WOLTERS ENGINEERING, INC.  
(COA# 27194)  
5358 SW 32ND TERRACE  
FT. LAUDERDALE, FL 33312  
NOV 9 2013

DRAWING #	AIRS0672	DESC.	TRANE PERFORMANCE CLIMATE CHANGER AIR HANDLER - SIZE 50 STACKED UNIT	TRANE US Inc.	REV. HISTORY	---	BY:	K.YUVARAJA	REV.	A
SHEET	4 OF 47	SECTION			MOCK UP/DWG SHEET REF:	---	SCALE:	NTS	DATE	06-SEP-2013

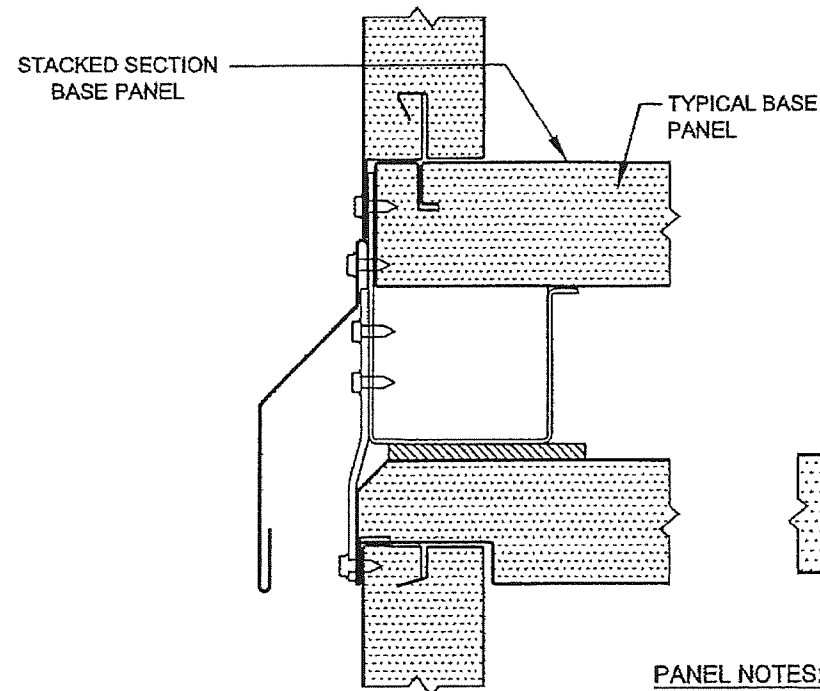


**TYPICAL STACKED UNIT FOAMED PANEL JOINTS AND CROSS SECTIONS**  
**(SUPPORT STRUCTURE IS NOT SHOWN FOR CLARITY.)**

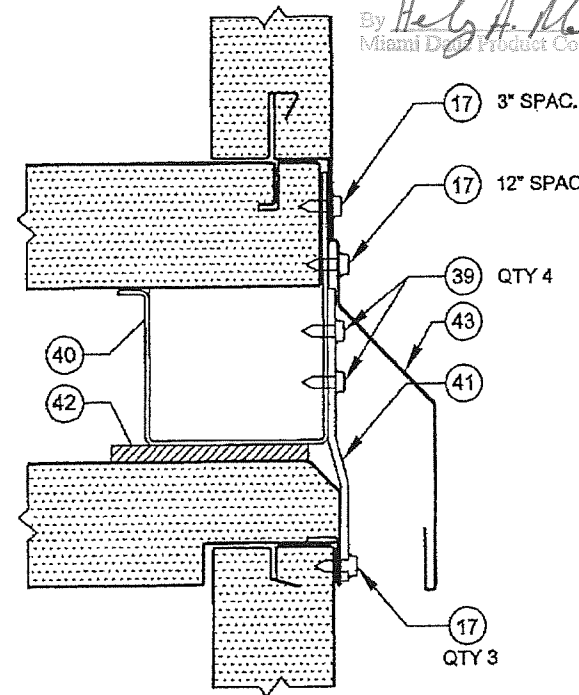
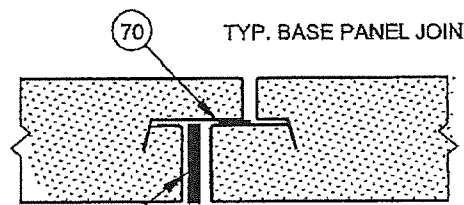
(REFER TO PAGES 11-22 FOR SUPPORT DETAILS)



PRODUCT REVISED  
 as complying with the Florida  
 Building Code  
 Acceptance No **19-1205.09**  
 Expiration Date **NOV 21 2023**  
 By *Healy A. Mohr*  
 Miami Dade Product Control



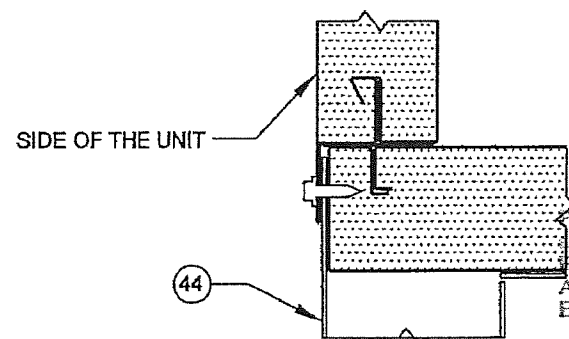
**STACKED SECTION**



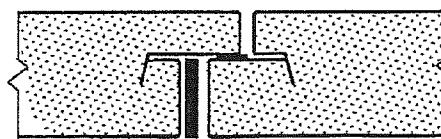
PRODUCT REVISED  
 as complying with the Florida  
 Building Code  
 Acceptance No **14-1120.13**  
 Expiration Date **11/21/2018**  
 By *Healy A. Mohr*  
 Miami Dade Product Control

**PANEL NOTES:**

1. OVERALL PANEL THICKNESS IS 2".
2. CORE MATERIAL IS RIGID FROTH-FOAM INSULATION.
3. INNER AND OUTER CASING PANEL SKINS ARE 0.028" GALVANIZED STEEL.
4. GASKET ITEM 3 IS PLACED AS A THERMAL BREAK BETWEEN ALL INNER AND OUTER CASING PANELS.

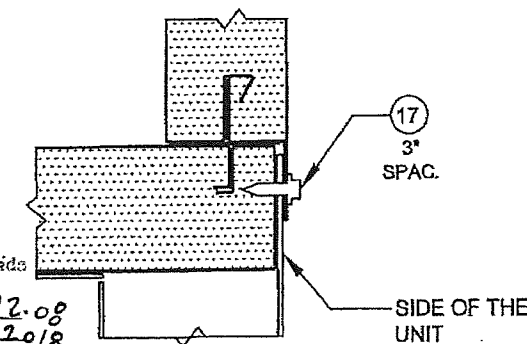


PRODUCT RENEWED  
 as complying with the Florida  
 Building Code  
 Acceptance No **18-1211.03**  
 Expiration Date **11/21/2023**  
 By *Healy A. Mohr*  
 Miami Dade Product Control



PRODUCT REVISED  
 as complying with the Florida  
 Building Code  
 Acceptance No **18-0212.08**  
 Expiration Date **11/21/2018**  
 By *Healy A. Mohr*  
 Miami Dade Product Control

**CROSS SECTION B-B**



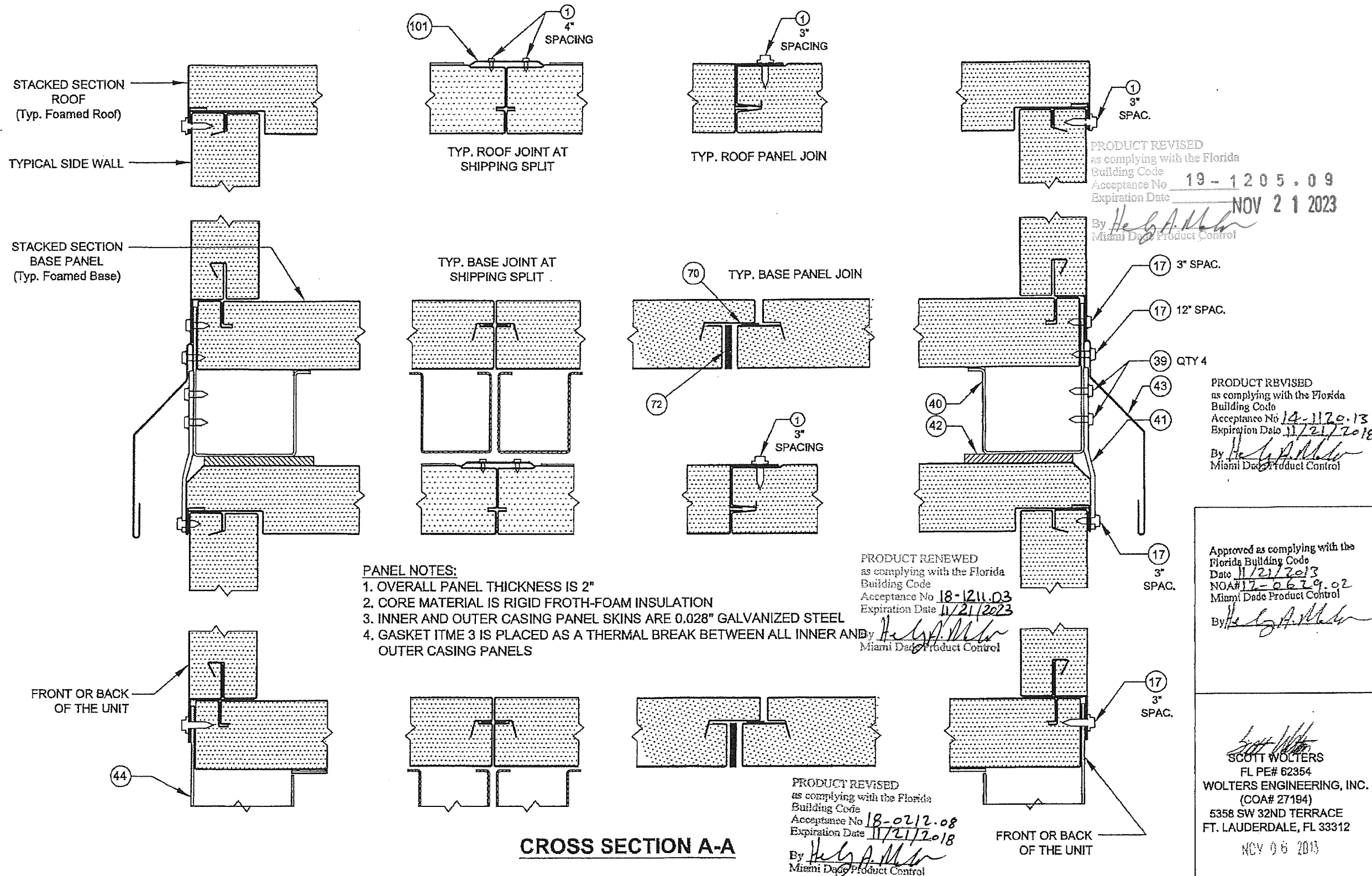
Approved as complying with the  
 Florida Building Code  
 Date **11/21/2013**  
 NOA# **12-0629.02**  
 Miami Dade Product Control  
 By *Healy A. Mohr*

*Scott Wolters*  
 SCOTT WOLTERS  
 FL PE# 62354  
 WOLTERS ENGINEERING, INC.  
 (COA# 27194)  
 5358 SW 32ND TERRACE  
 FT. LAUDERDALE, FL 33312  
 NOV 06 2013

DRAWING #	<b>AIRS0672</b>	DESC.	<b>TRANE PERFORMANCE CLIMATE CHANGER AIR HANDLER - SIZE 50 STACKED UNIT</b>	TRANE US Inc.	REV. HISTORY	---	BY:	<b>K.YUVARAJA</b>	REV.	<b>A</b>
SHEET	<b>5 OF 47</b>	SECTION			MOCK UP/DWG SHEET REF:	<b>25, 26, 29, 35, 36 OF 63</b>	SCALE:	<b>NTS</b>	DATE	<b>06-SEP-2013</b>

**TYPICAL STACKED UNIT FOAMED PANEL JOINTS AND CROSS SECTIONS**  
**(SUPPORT STRUCTURE IS NOT SHOWN FOR CLARITY)**

(REFER TO PAGES 11-22 FOR SUPPORT DETAILS)

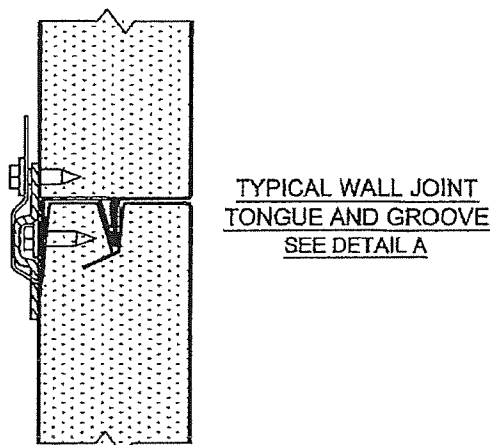
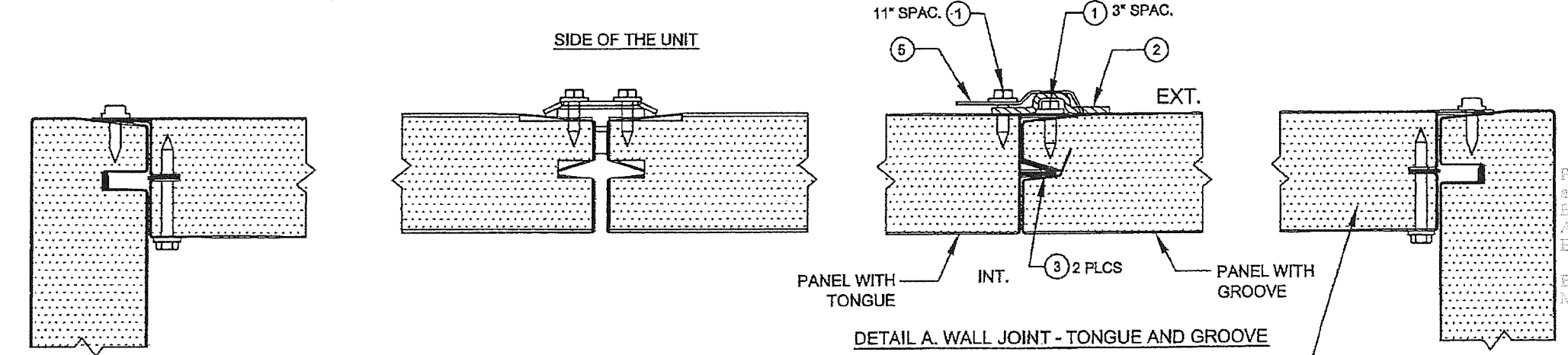


Approved as complying with the Florida Building Code  
Date 11/21/2013  
NOA# 12-0679.02  
Miami Dade Product Control  
By *Heidi A. Miller*

*Scott Wolters*  
**SCOTT WOLTERS**  
FL PE# 62354  
**WOLTERS ENGINEERING, INC.**  
(COA# 27194)  
5358 SW 32ND TERRACE  
FT. LAUDERDALE, FL 33312  
NOV 06 2013

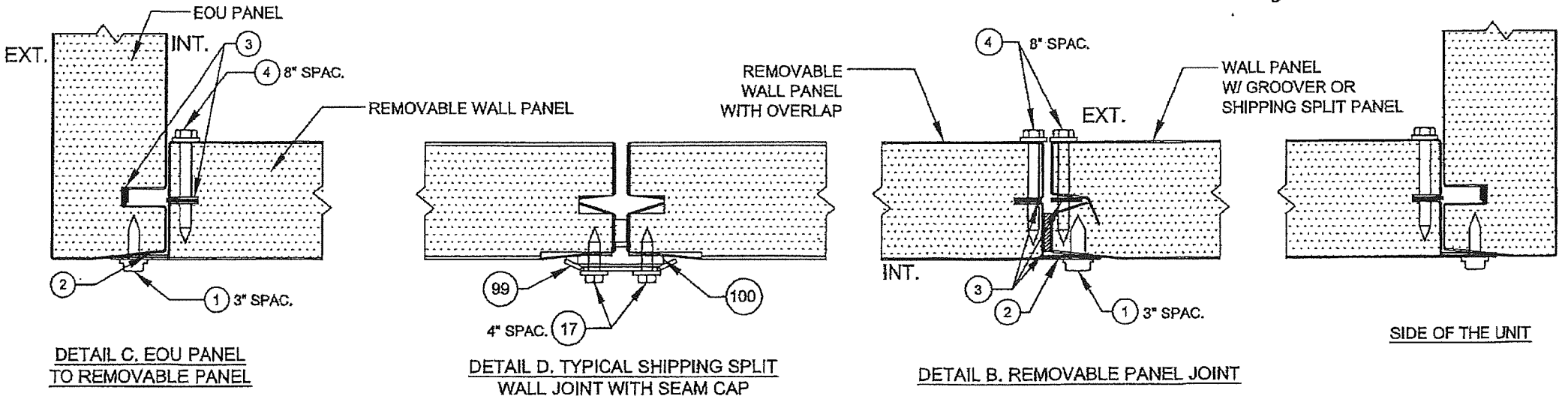
DRAWING # <b>AIRS0672</b>		DESC. <b>TRANE PERFORMANCE CLIMATE CHANGER AIR HANDLER - SIZE 50 STACKED UNIT</b>		REV. HISTORY	BY: <b>K.YUVARAJA</b>	REV. <b>A</b>
SHEET <b>6 OF 47</b>	SECTION			MOCK UP/DWG SHEET REF: <b>25, 26, 29, 35, 36 OF 63</b>	SCALE: <b>NTS</b>	DATE <b>06-SEP-2013</b>

**TYPICAL UNIT CROSS SECTIONS OF FOAMED PANEL AND UNIT SPLIT JOINTS**  
**(SUPPORT STRUCTURE IS NOT SHOWN FOR CLARITY)**  
 (REFER TO PAGES 11-22 FOR SUPPORT DETAILS)



**NOTES:**  
 1. DOOR CROSS SECTION SHOWN ON PAGE 8.

**CROSS SECTION C-C**



PRODUCT REVISED  
 as complying with the Florida  
 Building Code **19-1205.09**  
 Acceptance No \_\_\_\_\_  
 Expiration Date **NOV 21 2023**  
 By *Healy A. M. M.*  
 Miami Dade Product Control

PRODUCT REVISED  
 as complying with the Florida  
 Building Code  
 Acceptance No **14-1120.13**  
 Expiration Date **11/21/2018**  
 By *Healy A. M. M.*  
 Miami Dade Product Control

PRODUCT RENEWED  
 as complying with the Florida  
 Building Code  
 Acceptance No **18-1211.03**  
 Expiration Date **11/21/2023**  
 By *Healy A. M. M.*  
 Miami Dade Product Control

PRODUCT REVISED  
 as complying with the Florida  
 Building Code  
 Acceptance No **18-0212.08**  
 Expiration Date **11/21/2018**  
 By *Healy A. M. M.*  
 Miami Dade Product Control

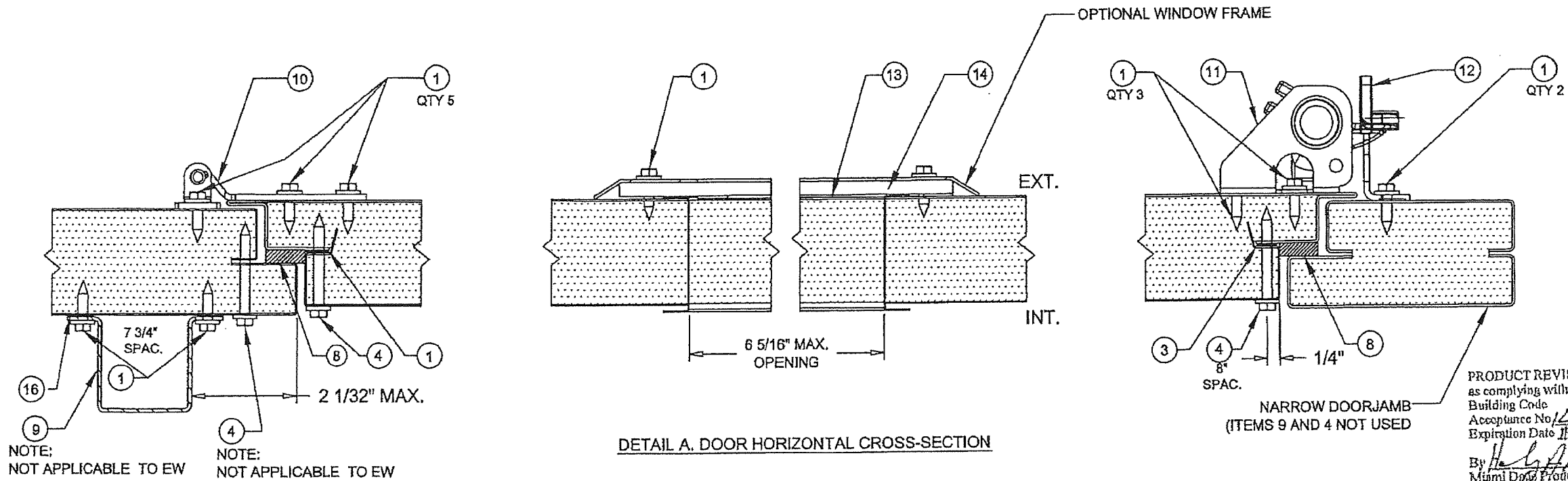
Approved as complying with the  
 Florida Building Code  
 Date **11/21/2013**  
 NOA# **12-0629.02**  
 Miami Dade Product Control  
 By *Healy A. M. M.*

*Scott Walters*  
**SCOTT WALTERS**  
 FL PE# 62354  
 WALTERS ENGINEERING, INC.  
 (COA# 27194)  
 5358 SW 32ND TERRACE  
 FT. LAUDERDALE, FL 33312  
 NOV 06 2013

DRAWING # <b>AIRS0672</b>	DESC. <b>TRANE PERFORMANCE CLIMATE CHANGER AIR HANDLER - SIZE 50 STACKED UNIT</b>	<b>TRANE</b> US Inc.	REV. HISTORY --- MOCK UP/DWG SHEET REF: <b>7, 13, 20, 34 OF 63</b>	BY: <b>K.YUVARAJA</b> SCALE: <b>NTS</b>	REV. <b>A</b> DATE <b>06-SEP-2013</b>
SHEET <b>7 OF 47</b>	SECTION				

**DOOR CROSS SECTION E-E**

SEE PANEL NOTES SHEET 5

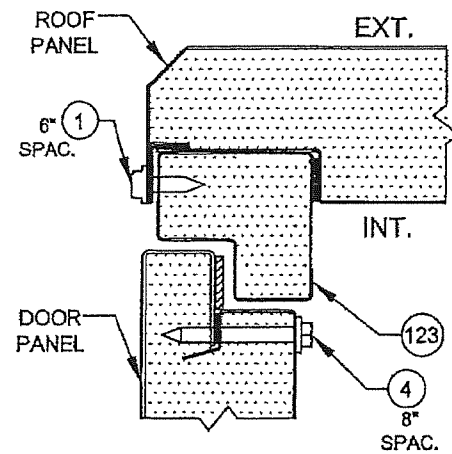


**DETAIL A. DOOR HORIZONTAL CROSS-SECTION**

NOTE:  
1. THIS DETAILS SHALL BE APPLICABLE TO ALL DOORS IN UNIT, PIPE CABINET, AND ENERGY WHEEL SECTION (2 LEVEL SECTION).

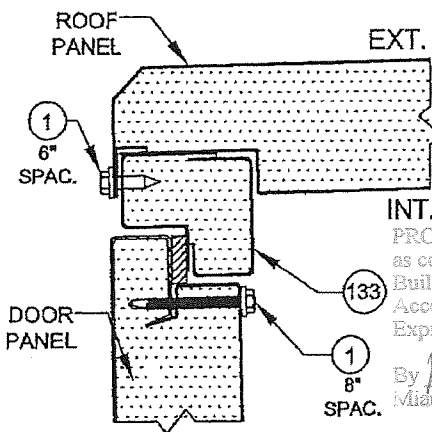
PRODUCT REVISED  
as complying with the Florida  
Building Code  
Acceptance No. 14-1120.18  
Expiration Date 11/21/2018  
By *Heidi A. Miller*  
Miami Dade Product Control

**DOOR CROSS SECTION D-D**



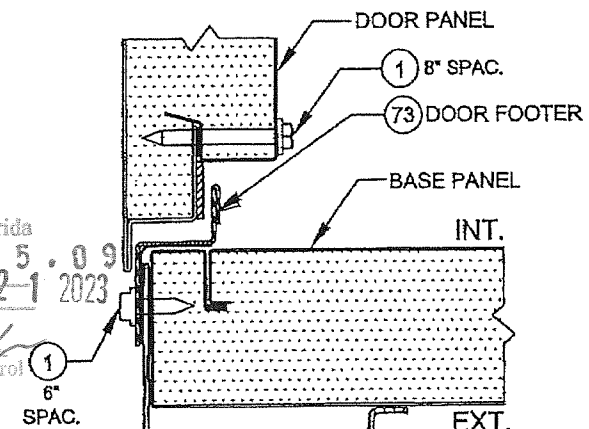
**DETAIL B1. DOOR TO ROOF (TOP)  
NEW-STYLE HEADER**

NOTE:  
1. ONLY SHOWING TOP AND BOTTOM OF THE CROSS SECTION.



**DETAIL B2. DOOR TO ROOF (TOP)  
OLD-STYLE HEADER**

PRODUCT RENEWED  
as complying with the Florida  
Building Code  
Acceptance No. 18-1211.03  
Expiration Date 11/21/2023  
By *Heidi A. Miller*  
Miami Dade Product Control



**DETAIL C. DOOR TO BASE (BOTTOM)**

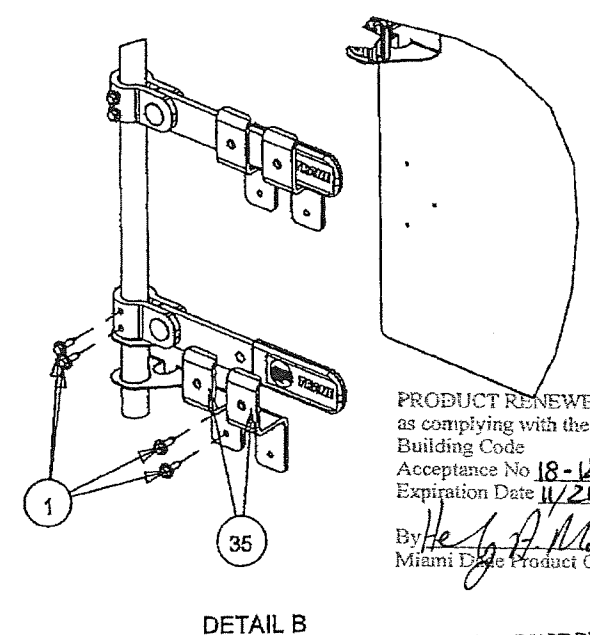
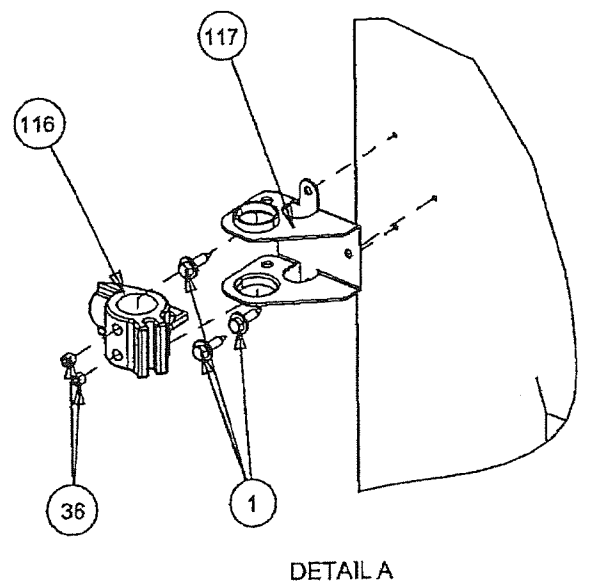
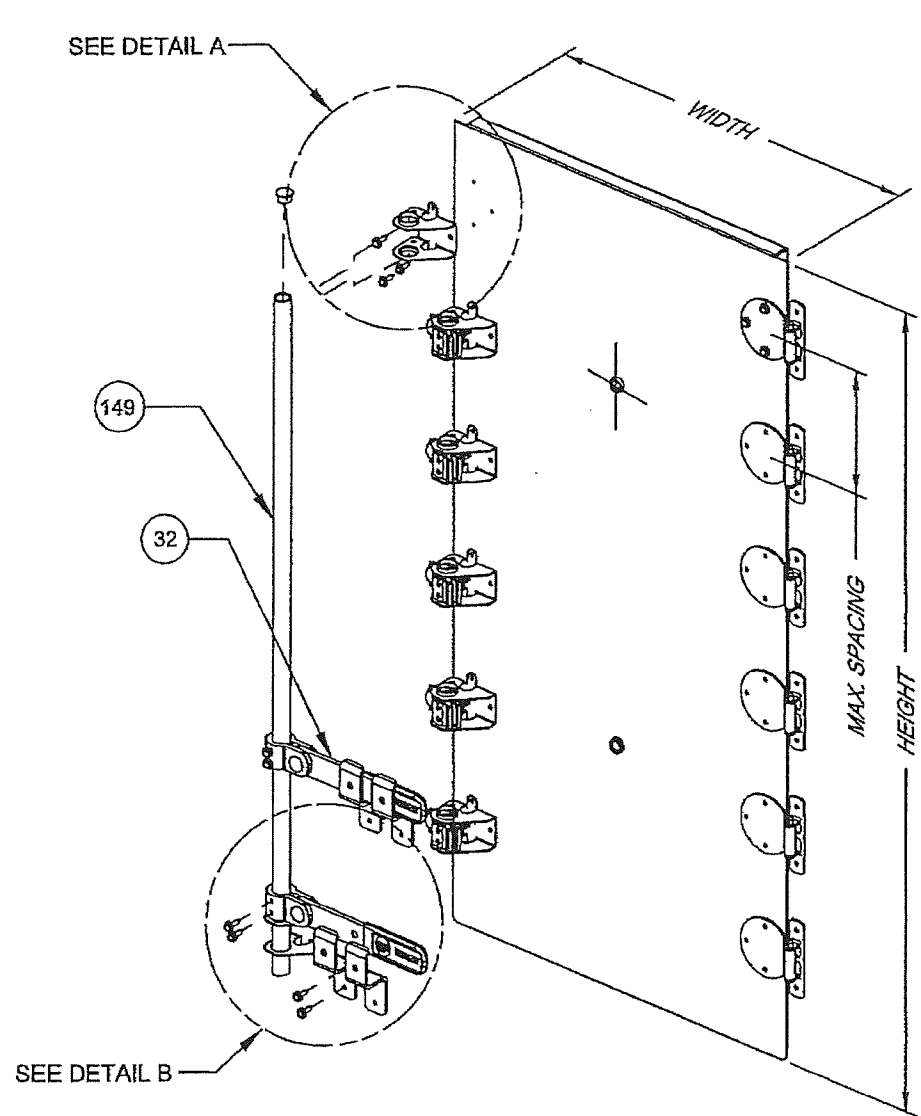
PRODUCT REVISED  
as complying with the Florida  
Building Code  
Acceptance No. 18-0212.08  
Expiration Date 11/21/2018  
By *Heidi A. Miller*  
Miami Dade Product Control

Approved as complying with the  
Florida Building Code  
Date 11/21/2013  
NOA# 12-0629.02  
Miami Dade Product Control  
By *Heidi A. Miller*

*Scott Walters*  
SCOTT WALTERS  
FL PE# 62354  
WALTERS ENGINEERING, INC.  
(COA# 27194)  
5358 SW 32ND TERRACE  
FT. LAUDERDALE, FL 33312  
NOV 05 2013

DRAWING #	AIRS0672	DESC.	TRANE PERFORMANCE CLIMATE CHANGER AIR HANDLER - SIZE 50 STACKED UNIT	TRANE US Inc.	REV. HISTORY	---	BY:	K.YUVARAJA	REV.	A
SHEET	8 OF 47	SECTION			MOCK UP/DWG SHEET REF:	7, 14, 15, 39 OF 63 AND 20 OF 35	SCALE:	NTS	DATE	06-SEP-2013

# DOOR HARDWARE LAYOUT



PRODUCT REVISED  
 as complying with the Florida  
 Building Code  
 Acceptance No. 19-1205.09  
 Expiration Date NOV 21 2023  
 By *Heidi A. Miller*  
 Miami Dade Product Control

PRODUCT RENEWED  
 as complying with the Florida  
 Building Code  
 Acceptance No. 18-1211.03  
 Expiration Date 11/21/2023  
 By *Heidi A. Miller*  
 Miami Dade Product Control

Approved as complying with the  
 Florida Building Code  
 Date 11/21/2013  
 NOA# 12-0629.02  
 Miami Dade Product Control  
 By *Heidi A. Miller*

PRODUCT REVISED  
 as complying with the Florida  
 Building Code  
 Acceptance No. 14-1120.13  
 Expiration Date 11/21/2018  
 By *Heidi A. Miller*  
 Miami Dade Product Control

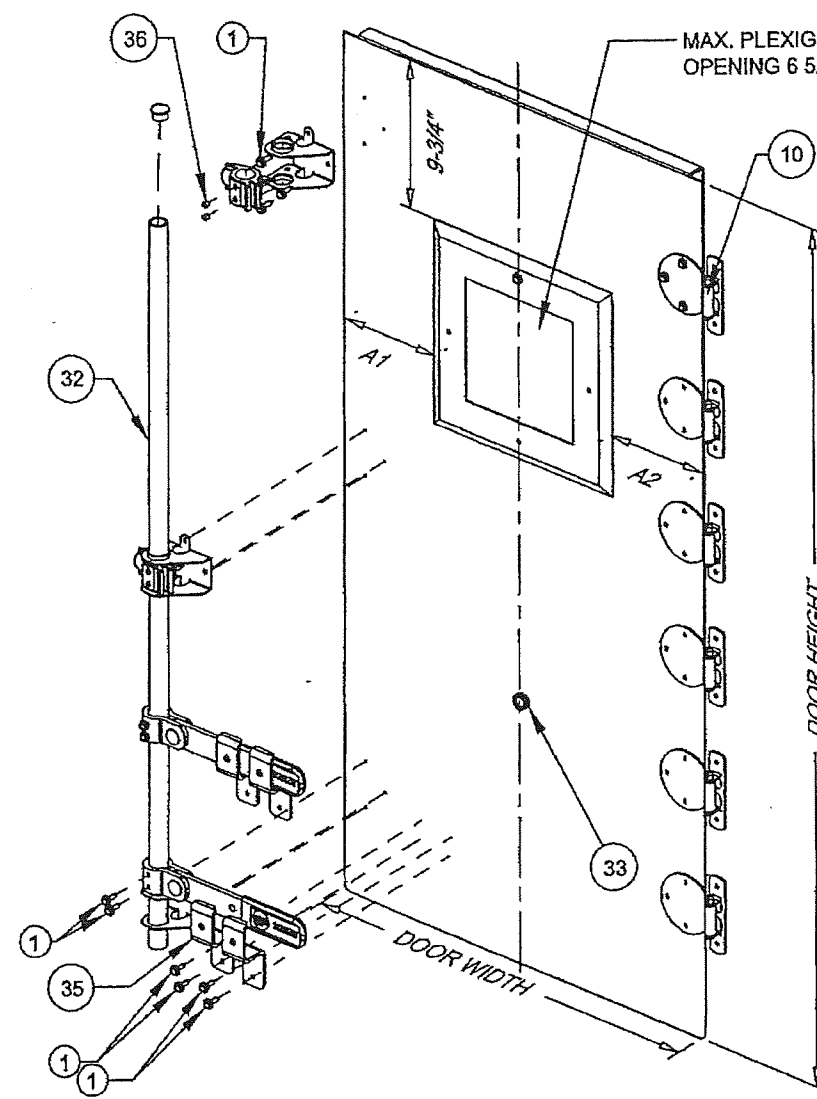
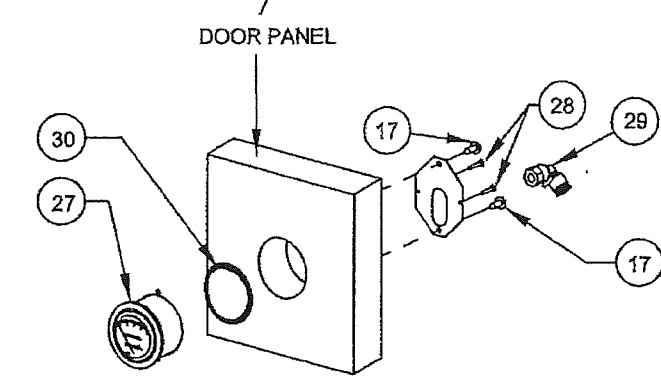
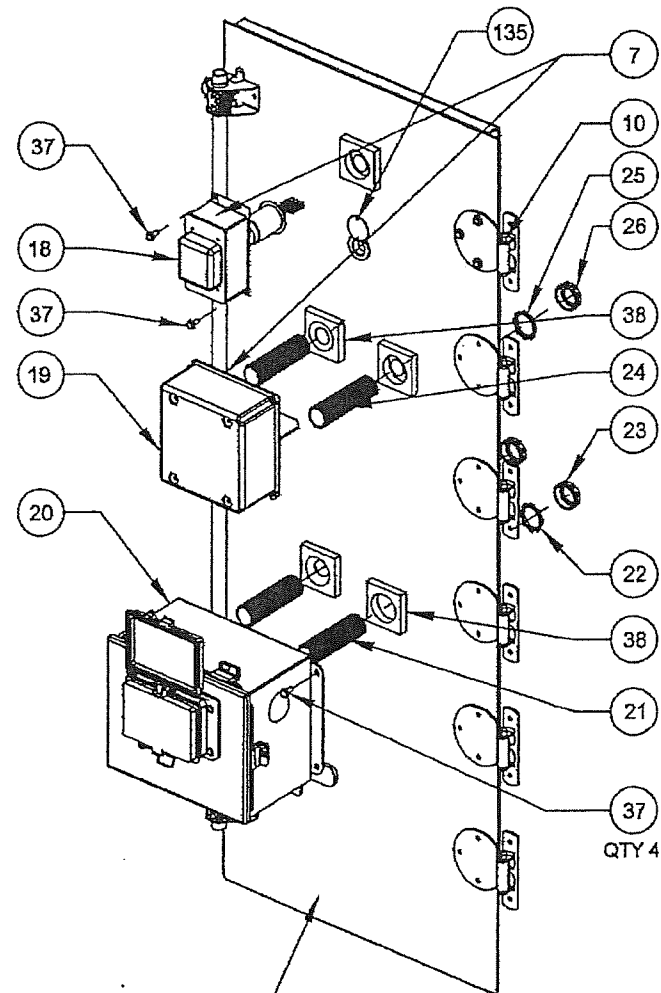
*Scott Wolters*  
**SCOTT WOLTERS**  
 FL PE# 62354  
**WOLTERS ENGINEERING, INC.**  
 (COA# 27194)  
 5358 SW 32ND TERRACE  
 FT. LAUDERDALE, FL 33312  
 NOV 06 2013

SECTION DESCRIPTION	MAXIMUM DOOR SIZE WIDTH x HEIGHT	HINGE MAX. SPACING	HINGE QTY	PADLOCK BRACKETS PER HANDLE	HANDLE QTY
STANDARD UNIT	30 29/32" x 68 15/16"	11.844	6	2	2
STANDARD UNIT	20 11/32" x 68 15/16"	11.844	6	2	2
STANDARD UNIT	23 11/32" x 68 15/16"	11.844	6	2	2
STANDARD UNIT	14 7/8" x 68 15/16"	11.816	6	2	2
PIPE CABINET	30 7/8" x 68 15/16"	11.598	6	2	2
2-LEVEL SECTION	14 7/8" x 68 15/16"	11.813	6	2	2

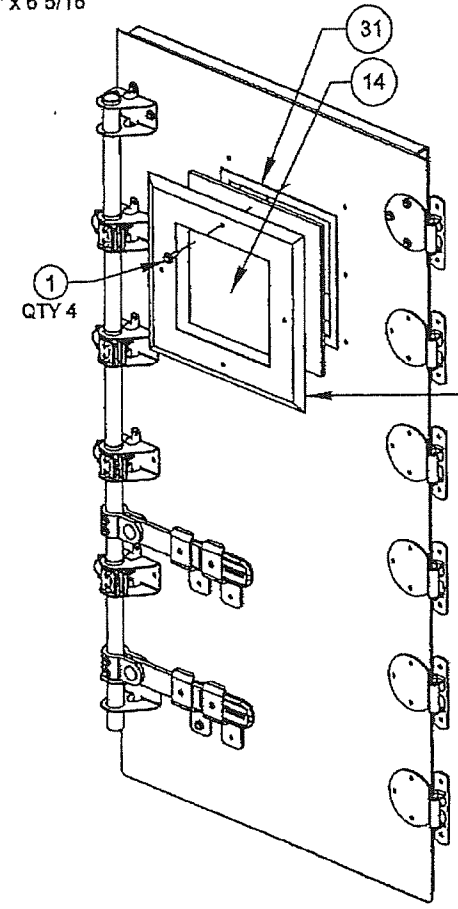
DRAWING #	<b>AIRS0672</b>	DESC.	<b>TRANE PERFORMANCE CLIMATE CHANGER AIR HANDLER - SIZE 50 STACKED UNIT</b>	<b>TRANE</b> US Inc.	REV. HISTORY	BY:	REV.
SHEET	9 OF 47	SECTION			---	<b>K.YUVARAJA</b>	<b>A</b>
					MOCK UP/DWG SHEET REF: 9 OF 19, 16 OF 63, 19 OF 35	SCALE:	DATE
						<b>NTS</b>	<b>06-SEP-2013</b>

## COMPONENTS ON DOOR

- NOTES:  
 1. THIS PAGE IS SHOWING ALL THE COMPENTS ATTACHED AND TESTED WITH DOORS.  
 2. THESE COMPONENTS APPLICABLE TO ALL DOORS.



**DOOR HARDWARE AND  
OPTIONAL COMPONENTS**



PRODUCT REVISED  
 as complying with the Florida  
 Building Code  
 Acceptance No 19-1205.08  
 Expiration Date NOV 21 2023  
 By *He G. A. M...*  
 Miami Dade Product Control

OPTIONAL  
 (DOOR FRAME)

PRODUCT RENEWED  
 as complying with the Florida  
 Building Code  
 Acceptance No 18-1211.03  
 Expiration Date 11/21/2023  
 By *He G. A. M...*  
 Miami Dade Product Control

Approved as complying with the  
 Florida Building Code  
 Date 11/21/2013  
 NOA# 12-0629.02  
 Miami Dade Product Control  
 By *He G. A. M...*

PRODUCT REVISED  
 as complying with the Florida  
 Building Code  
 Acceptance No 18-0212.08  
 Expiration Date 11/21/2018  
 By *He G. A. M...*  
 Miami Dade Product Control

PRODUCT REVISED  
 as complying with the Florida  
 Building Code  
 Acceptance No 14-1120.13  
 Expiration Date 11/21/2018  
 By *He G. A. M...*  
 Miami Dade Product Control

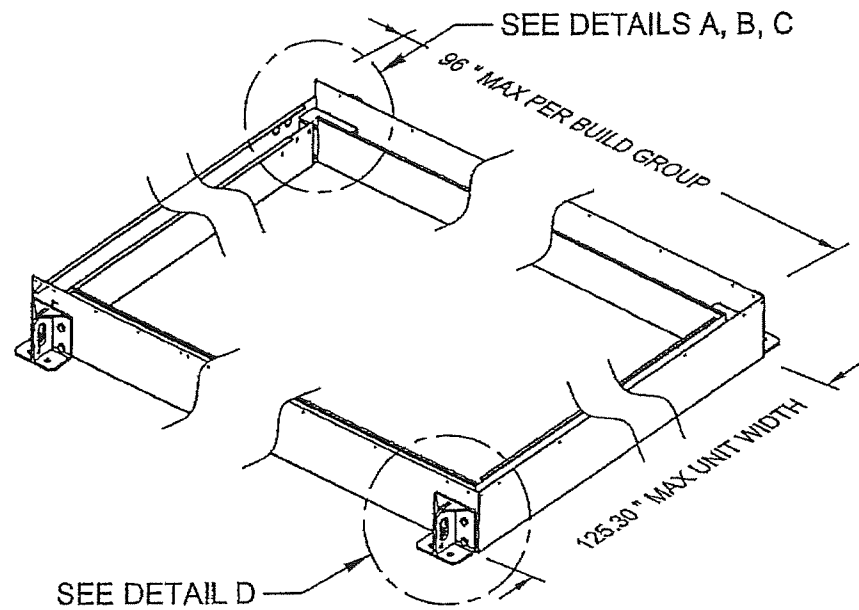
*Scott Wolters*  
**SCOTT WOLTERS**  
 FL PE# 62354  
**WOLTERS ENGINEERING, INC.**  
 (COA# 27194)  
 5358 SW 32ND TERRACE  
 FT. LAUDERDALE, FL 33312  
 NOV 06 2013

DOOR WIDTH	A1	A2
14.853	3	3
23.353	7.5	7

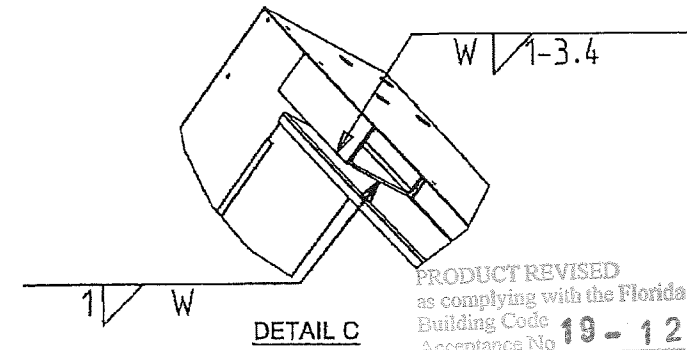
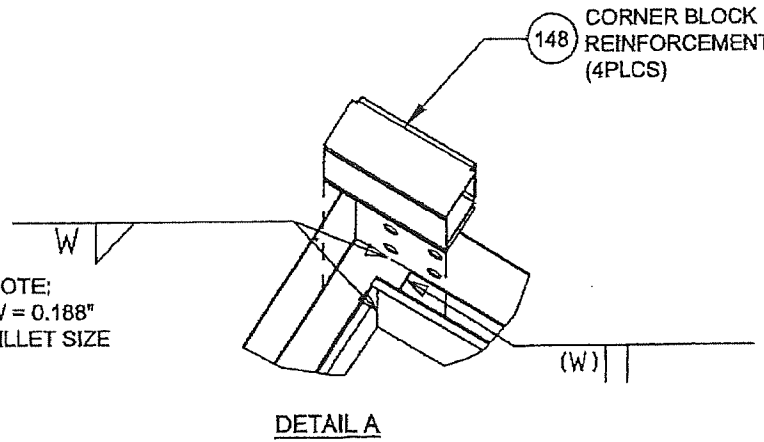
DRAWING #	AIRS0672	DESC.	TRANE PERFORMANCE CLIMATE CHANGER AIR HANDLER - SIZE 50 STACKED UNIT	<b>TRANE</b> US Inc.	REV. HISTORY	BY:	REV.
SHEET	10 OF 47				---	K.YUVARAJA	A
SECTION					MOCK UP/DWG SHEET REF:	SCALE:	DATE
					17-19 OF 63	NTS	06-SEP-2013



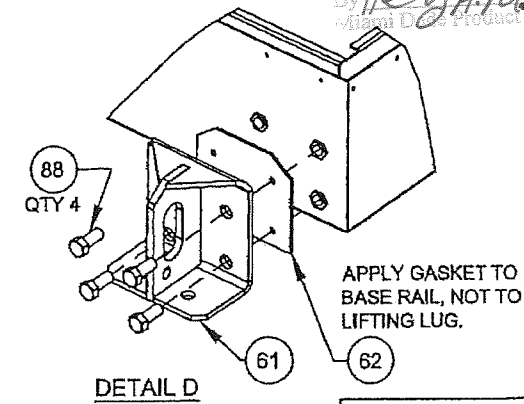
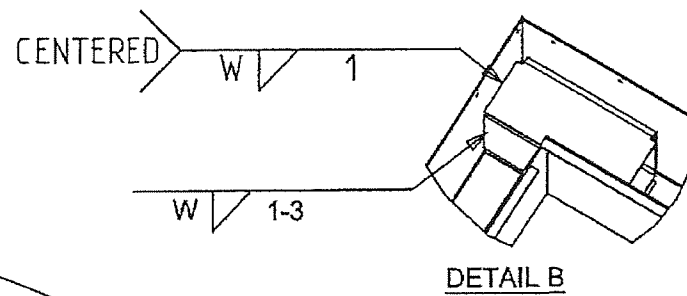
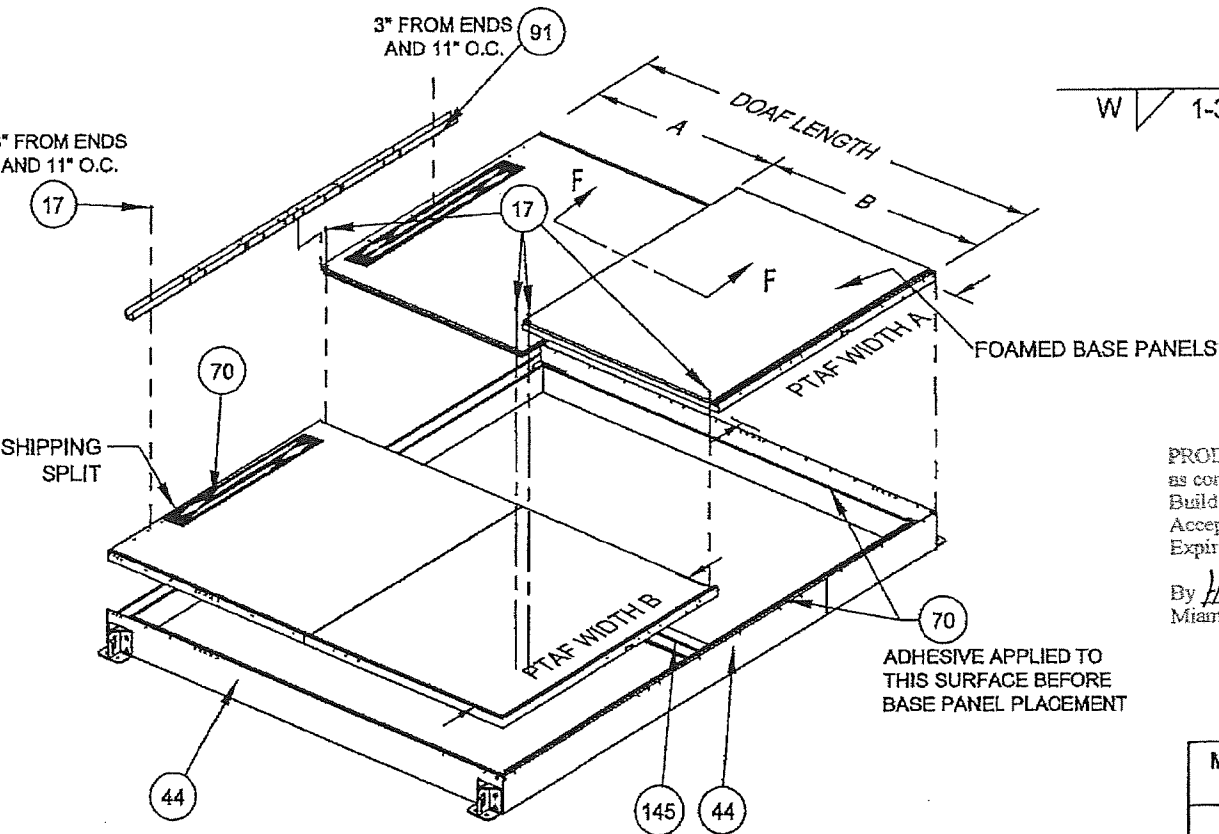
# 1ST LEVEL BASE RAIL AND BASE PANEL



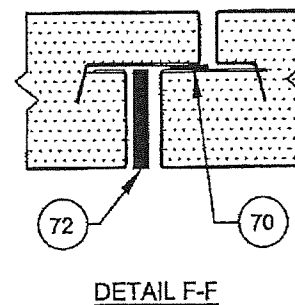
NOTE:  
W = 0.188"  
FILLET SIZE



PRODUCT REVISED  
as complying with the Florida  
Building Code  
Acceptance No **19-1205-09**  
Expiration Date **NOV 21 2023**  
By *Heidi A. Miller*  
Miami Dade Product Control



PRODUCT RENEWED  
as complying with the Florida  
Building Code  
Acceptance No **18-1211.03**  
Expiration Date **11/21/2023**  
By *Heidi A. Miller*  
Miami Dade Product Control



PRODUCT REVISED  
as complying with the Florida  
Building Code  
Acceptance No **18-0212.08**  
Expiration Date **11/21/2018**  
By *Heidi A. Miller*  
Miami Dade Product Control

Approved as complying with the  
Florida Building Code  
Date **11/21/2013**  
NOA# **12-0679.02**  
Miami Dade Product Control  
By *Heidi A. Miller*

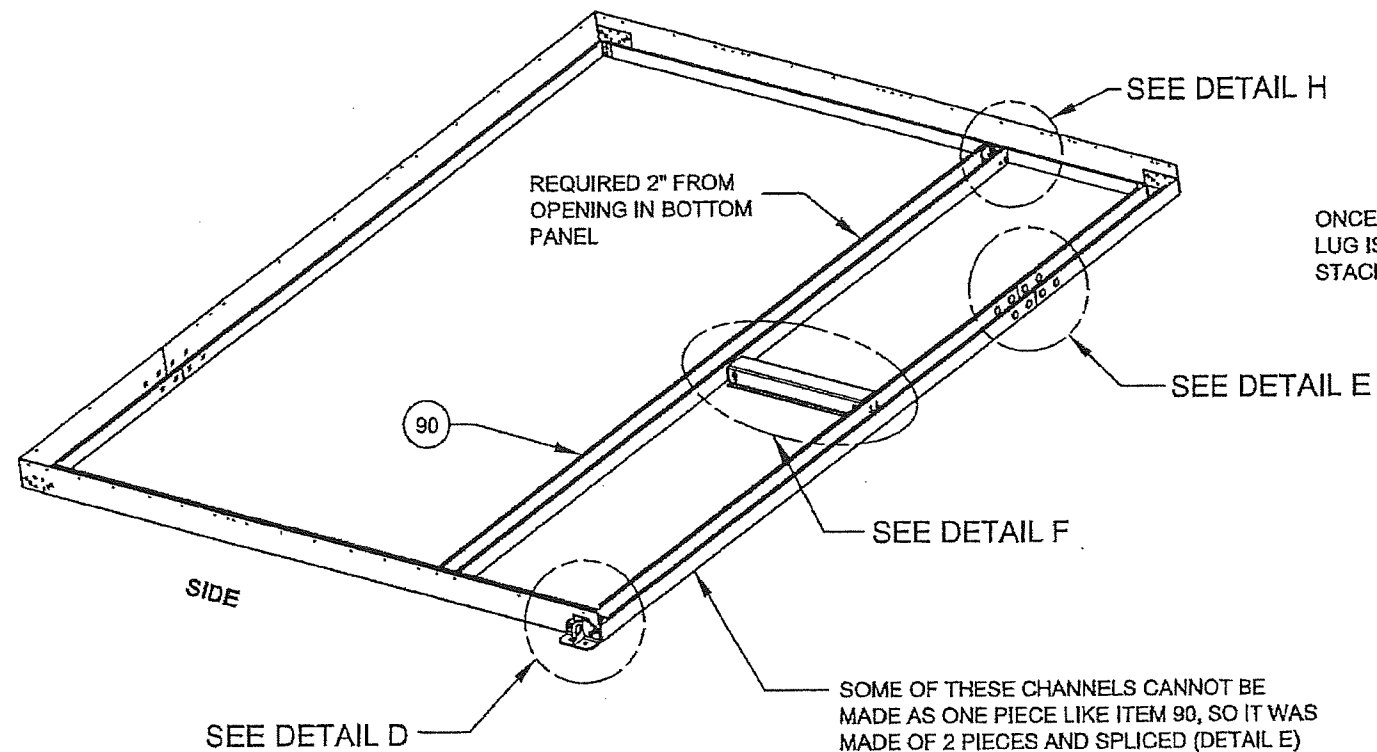
PRODUCT REVISED  
as complying with the Florida  
Building Code  
Acceptance No **18-1120.13**  
Expiration Date **11/21/2018**  
By *Heidi A. Miller*  
Miami Dade Product Control

*Scott Wolters*  
**SCOTT WOLTERS**  
FL PE# 62354  
**WOLTERS ENGINEERING, INC.**  
(COA# 27194)  
5358 SW 32ND TERRACE  
FT. LAUDERDALE, FL 33312  
**NOV 06 2013**

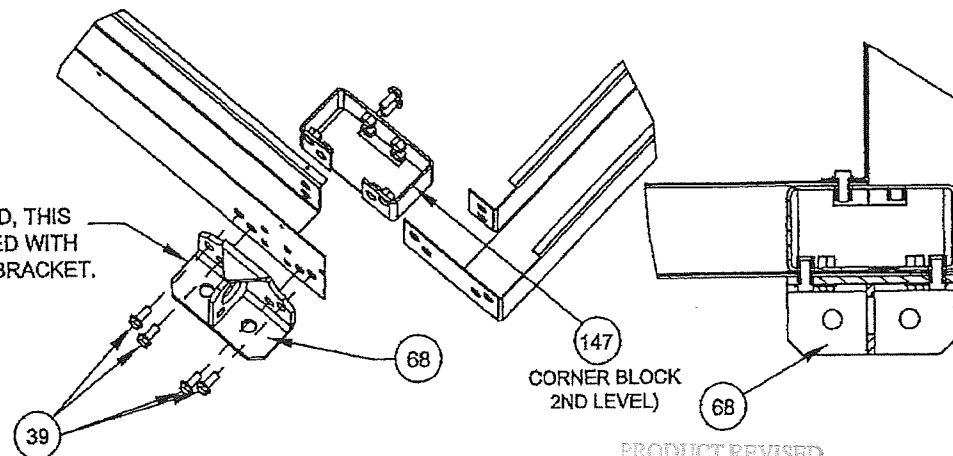
MAX. DOAF BASE PANEL LENGTH		MAX. PTAF BASE PANEL LENGTH	
A	B	A	B
49	49	63.466	62.491

DRAWING # <b>AIRS0672</b>	DESC. <b>TRANE PERFORMANCE CLIMATE CHANGER AIR HANDLER - SIZE 50 STACKED UNIT</b>	TRANE US Inc.	REV. HISTORY --- MOCK UPDWG SHEET REF: <b>25 OF 63</b>	BY: <b>K.YUVARAJA</b> SCALE: <b>NTS</b>	REV. <b>A</b> DATE <b>06-SEP-2013</b>
SHEET <b>11 OF 47</b>	SECTION				

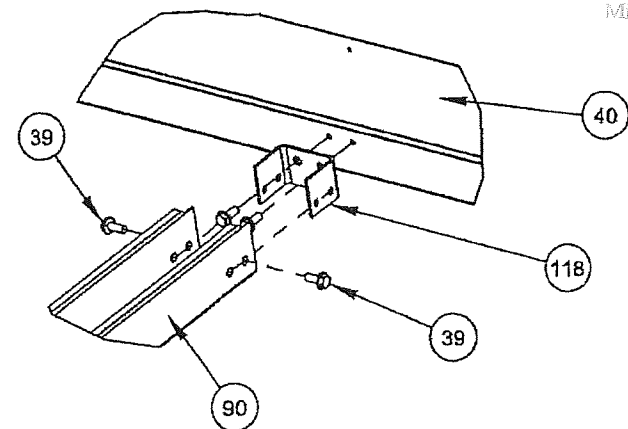
## 2ND LEVEL BASE RAIL



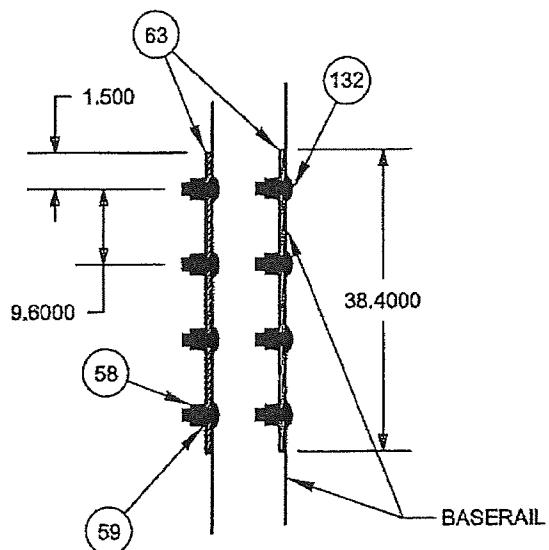
ONCE INSTALLED, THIS LUG IS REPLACED WITH STACKED UNIT BRACKET.



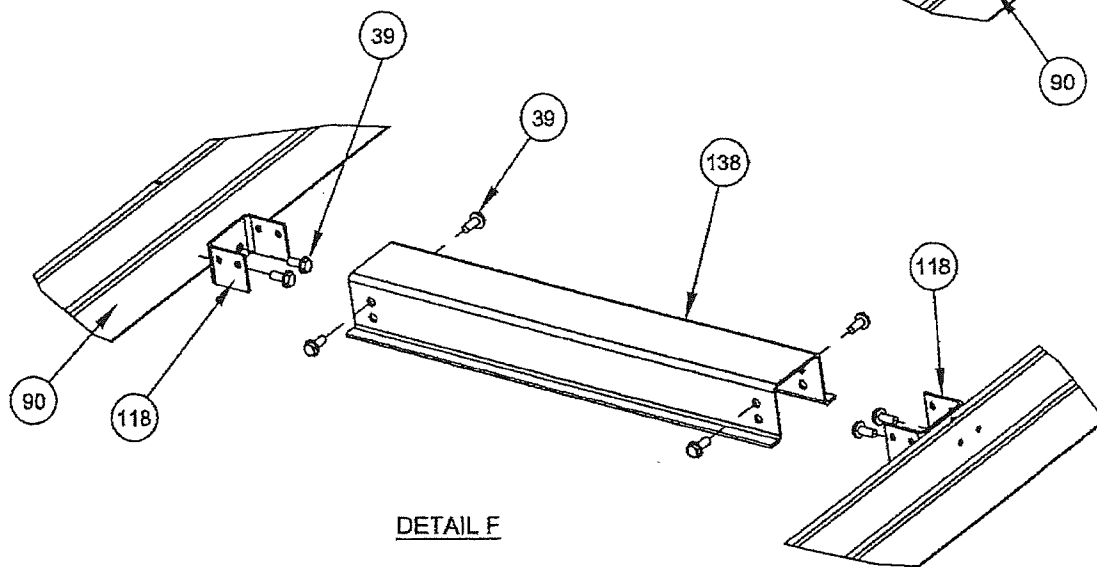
**DETAIL D**  
 PRODUCT REVISED  
 as complying with the Florida  
 Building Code  
 Acceptance No **19-1205.09**  
 Expiration Date **NOV 21 2023**  
 By *Healy A. Malar*  
 Miami Dade Product Control



PRODUCT RENEWED  
 as complying with the Florida  
 Building Code  
 Acceptance No **18-1211.03**  
 Expiration Date **11/21/2023**  
 By *Healy A. Malar*  
 Miami Dade Product Control



**DETAIL E**



**DETAIL F**

**DETAIL H**

PRODUCT REVISED  
 as complying with the Florida  
 Building Code  
 Acceptance No **18-0212.08**  
 Expiration Date **11/21/2018**  
 By *Healy A. Malar*  
 Miami Dade Product Control

PRODUCT REVISED  
 as complying with the Florida  
 Building Code  
 Acceptance No **14-1129.13**  
 Expiration Date **11/21/2018**  
 By *Healy A. Malar*  
 Miami Dade Product Control

Approved as complying with the  
 Florida Building Code  
 Date **11/21/2013**  
 NOA# **12-0629.02**  
 Miami Dade Product Control  
 By *Healy A. Malar*

*Scott Wolters*  
**SCOTT WOLTERS**  
 FL PE# 62354  
**WOLTERS ENGINEERING, INC.**  
 (COA# 27194)  
 5358 SW 32ND TERRACE  
 FT. LAUDERDALE, FL 33312  
 NOV 9 6 2013

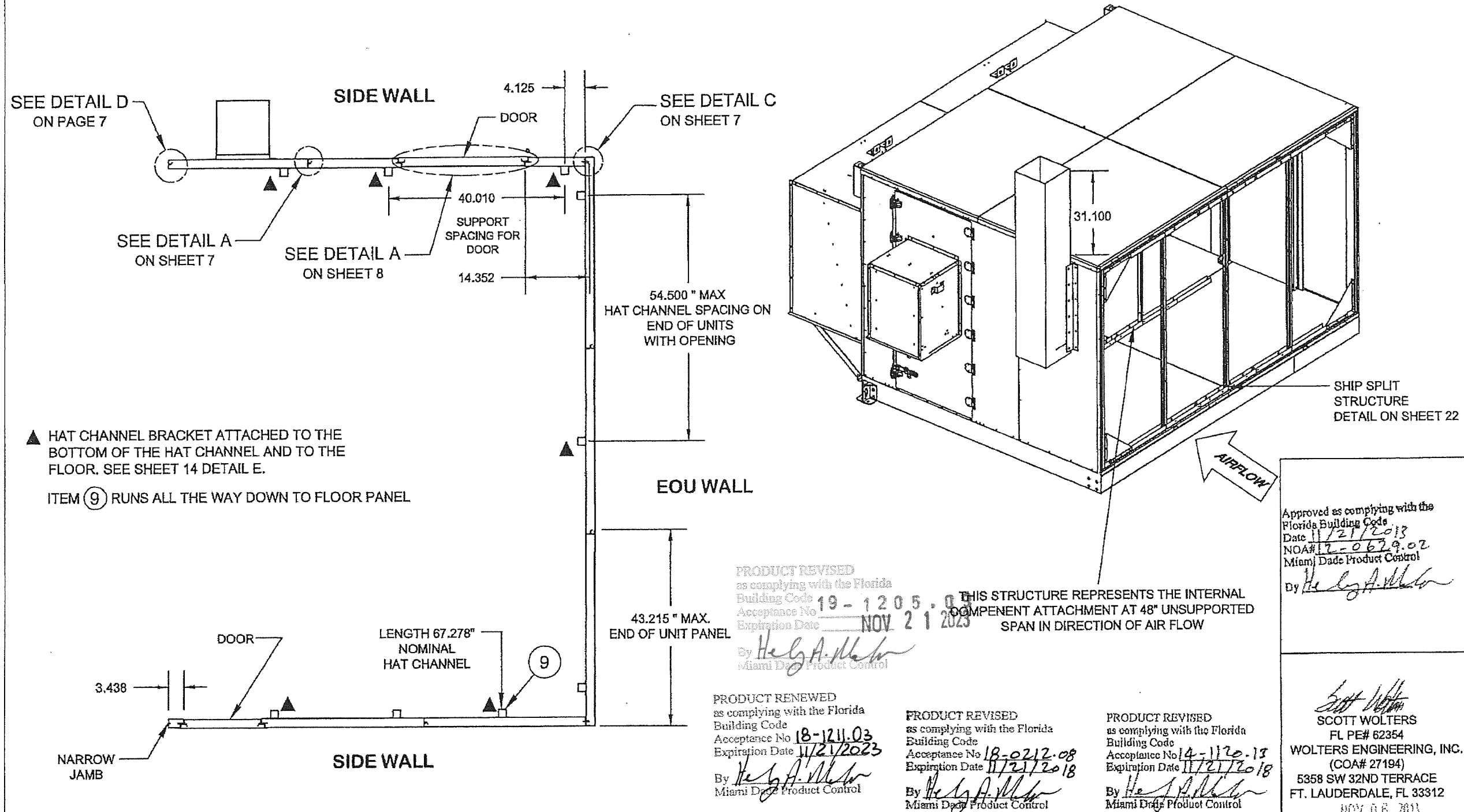
NOTE:  
 1. BASE PANELS ARE THE SAME AS 1ST LEVEL BASE.

DRAWING #	<b>AIRS0672</b>	DESC.	<b>TRANE PERFORMANCE CLIMATE CHANGER AIR HANDLER - SIZE 50 STACKED UNIT</b>	<b>TRANE</b> US Inc.	REV. HISTORY	BY:	REV.
SHEET	12 OF 47				MOCK UP/DWG SHEET REF: 28 OF 63	K.YUVARAJA	A
SECTION						SCALE: NTS	DATE 06-SEP-2013



# TYPICAL WALL PANEL LAYOUT & SUPPORT STRUCTURE (FULL HEIGHT)

(SHOWING EOU WALL STRUCTURE WITH OPENING)  
SEE PAGE 17



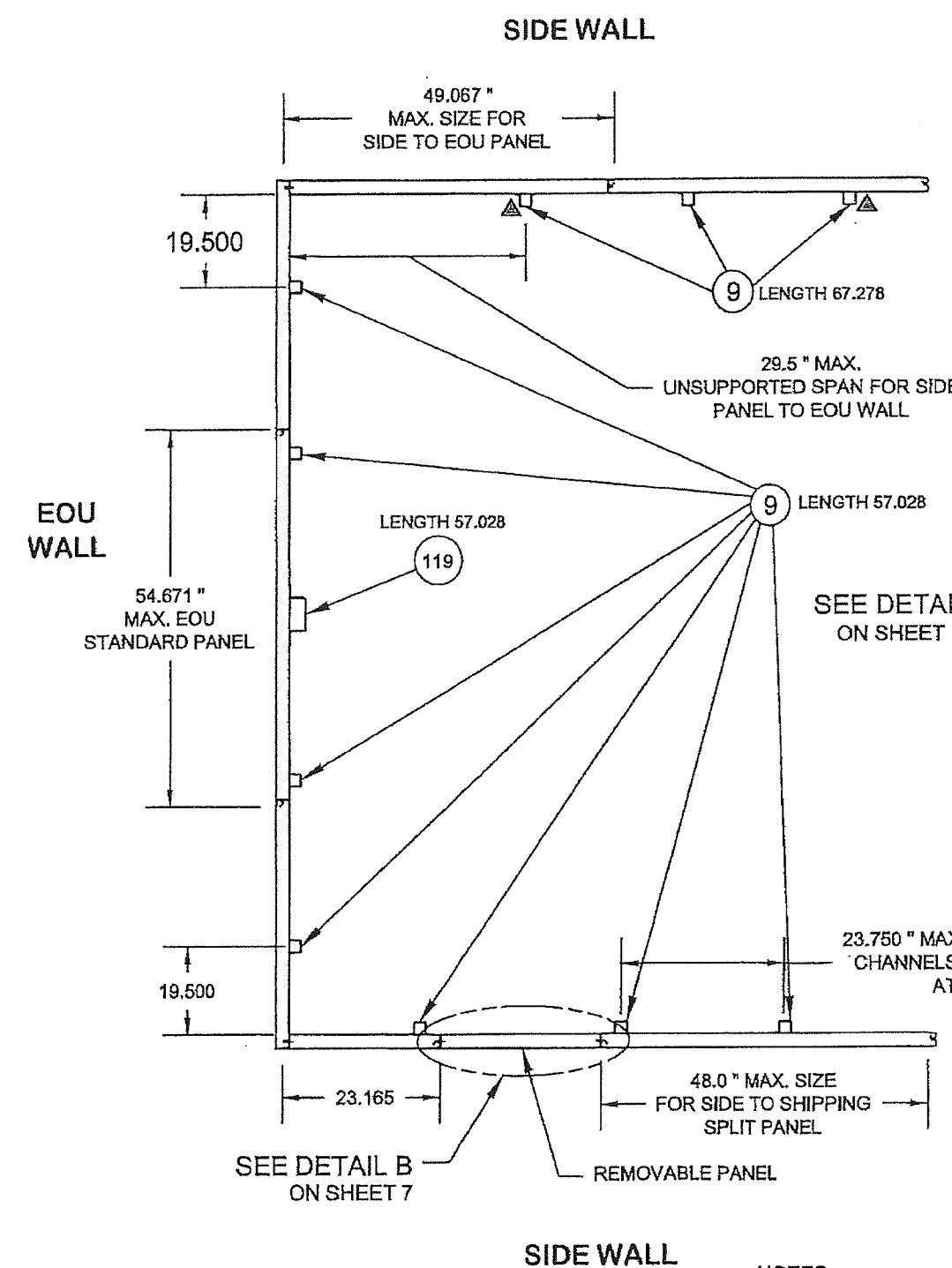
Approved as complying with the Florida Building Code  
 Date 11/21/2013  
 NOA# 17-0629.02  
 Miami Dade Product Control  
 By Healy A. Nelson

SCOTT WOLTERS  
 FL PE# 62354  
 WOLTERS ENGINEERING, INC.  
 (COA# 27194)  
 5358 SW 32ND TERRACE  
 FT. LAUDERDALE, FL 33312  
 NOV 06 2013

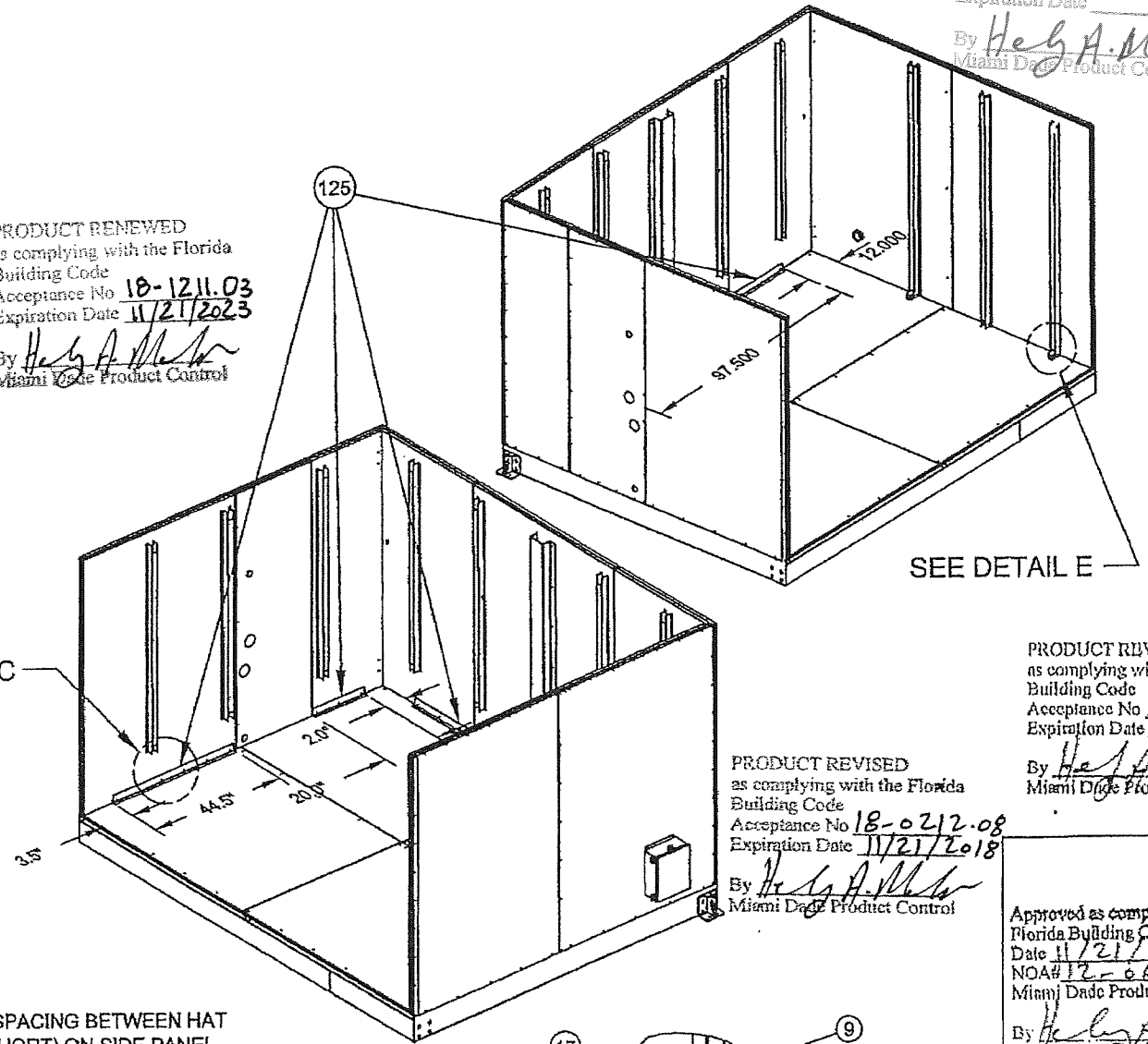
DRAWING # <b>AIRS0672</b>	DESC. <b>TRANE PERFORMANCE CLIMATE CHANGER AIR HANDLER - SIZE 50 STACKED UNIT</b>	TRANE US Inc.	REV. HISTORY ---	BY: <b>K.YUVARAJA</b>	REV. <b>A</b>
SHEET 13 OF 47	SECTION		MOCK UPDWG SHEET REF: 5, 6 OF 63	SCALE: NTS	DATE 06-SEP-2013

**TYPICAL WALL PANEL LAYOUT & WALL SUPPORT STRUCTURE (BOTH FULL HEIGHT AND SHORT)**

PRODUCT REVISED  
 as complying with the Florida  
 Building Code  
 Acceptance No 19-1205-09  
 Expiration Date NOV 21, 2023  
 By *Healy A. Miller*  
 Miami Dade Product Control



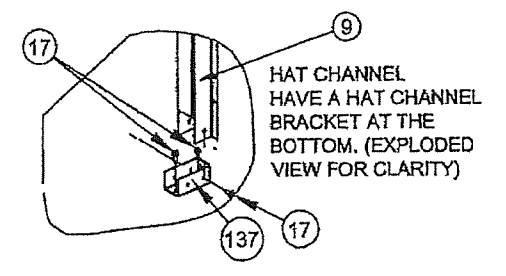
PRODUCT RENEWED  
 as complying with the Florida  
 Building Code  
 Acceptance No 18-1211-03  
 Expiration Date 11/21/2023  
 By *Healy A. Miller*  
 Miami Dade Product Control



PRODUCT REVISED  
 as complying with the Florida  
 Building Code  
 Acceptance No 18-1120-13  
 Expiration Date 11/21/2018  
 By *Healy A. Miller*  
 Miami Dade Product Control

PRODUCT REVISED  
 as complying with the Florida  
 Building Code  
 Acceptance No 18-0212-08  
 Expiration Date 11/21/2018  
 By *Healy A. Miller*  
 Miami Dade Product Control

Approved as complying with the  
 Florida Building Code  
 Date 11/21/2013  
 NOA# 12-6679-02  
 Miami Dade Product Control  
 By *Healy A. Miller*



DETAIL E. HAT CHANNEL TO BRACKET.  
 (NOT ALL ITEM 9 ATTACHED TO THE FLOOR, THERE IS  
 48\"/>

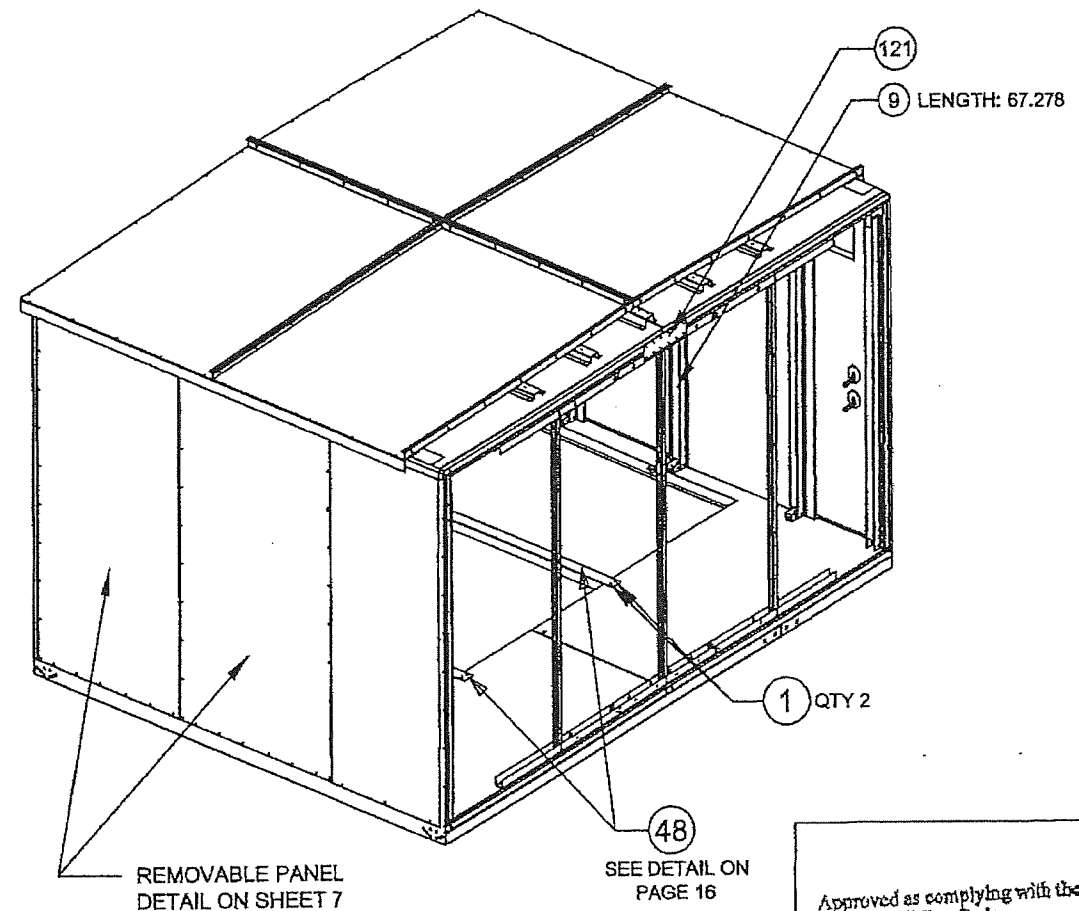
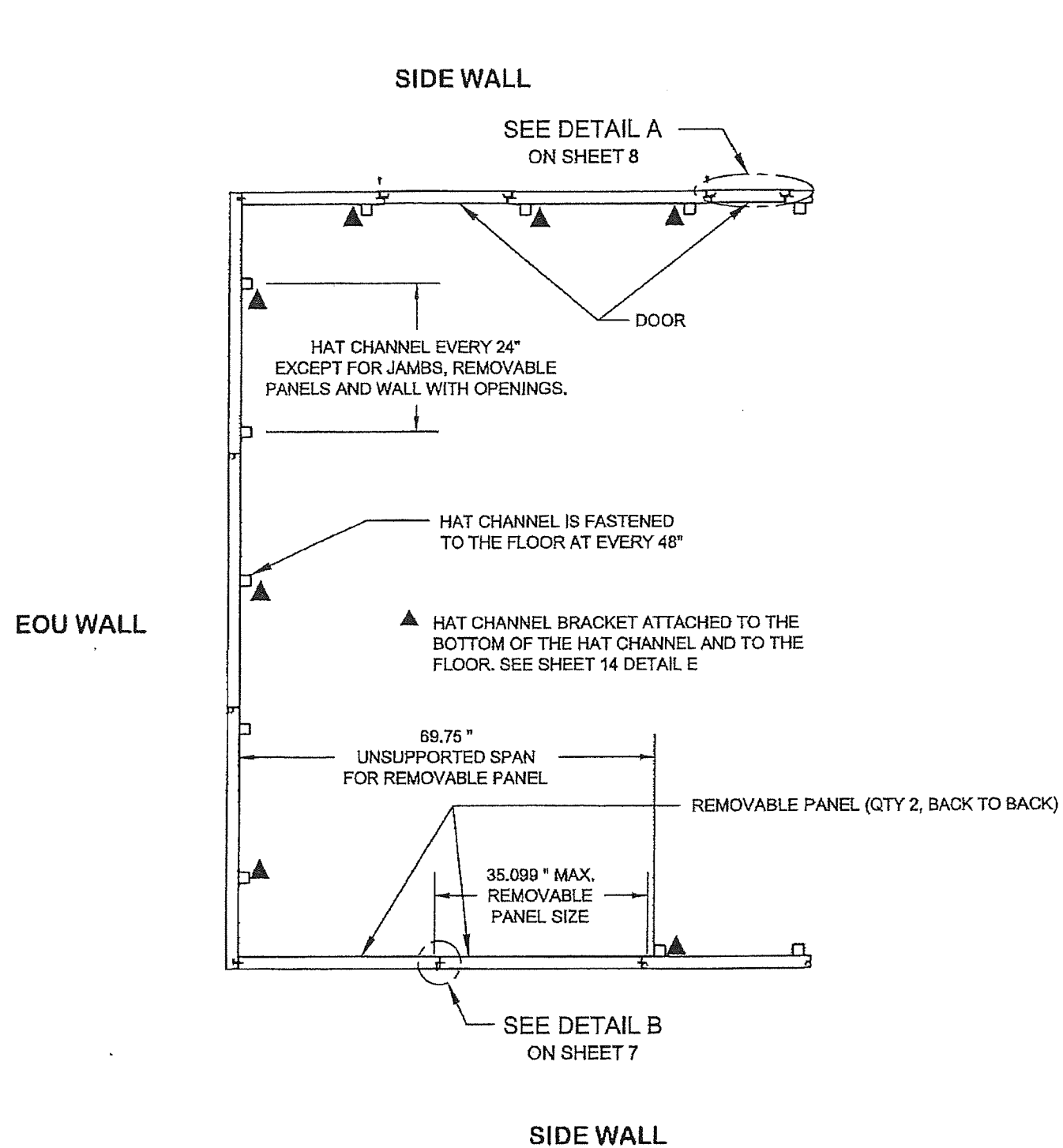
▲ HAT CHANNEL BRACKET ATTACHED  
 TO THE BOTTOM OF THE HAT  
 CHANNEL AND TO THE FLOOR.

NOTES:  
 1. WHEN ITEM 9 IS SHORT, ADD ITEM 125 AS SHOWN BY  
 DETAIL C ON PAGE 17.

*Scott Wolters*  
 SCOTT WOLTERS  
 FL PE# 62354  
 WOLTERS ENGINEERING, INC.  
 (COA# 27194)  
 5358 SW 32ND TERRACE  
 FT. LAUDERDALE, FL 33312  
 NOV 06 2013

DRAWING # <b>AIRS0672</b>	DESC. <b>TRANE PERFORMANCE CLIMATE CHANGER AIR HANDLER - SIZE 50 STACKED UNIT</b>	REV. HISTORY ---	BY: <b>K.YUVARAJA</b>	REV. <b>A</b>
SHEET 14 OF 47	SECTION	TRANE US Inc.	SCALE: NTS	DATE 06-SEP-2013
		MOCK UP/DWG SHEET REF: 7,8 OF 63		

**TYPICAL WALL PANEL LAYOUT & SUPPORT STRUCTURE FOR BACK TO BACK REMOVABLE PANEL**



PRODUCT REVISED  
 as complying with the Florida  
 Building Code  
 Acceptance No 19-1205.09  
 Expiration Date NOV 21 2023  
 By *Hedy A. Miller*  
 Miami Dade Product Control

PRODUCT REVISED  
 as complying with the Florida  
 Building Code  
 Acceptance No 18-0212.08  
 Expiration Date 11/21/2018  
 By *Hedy A. Miller*  
 Miami Dade Product Control

PRODUCT RENEWED  
 as complying with the Florida  
 Building Code  
 Acceptance No 18-124.03  
 Expiration Date 11/21/2023  
 By *Hedy A. Miller*  
 Miami Dade Product Control

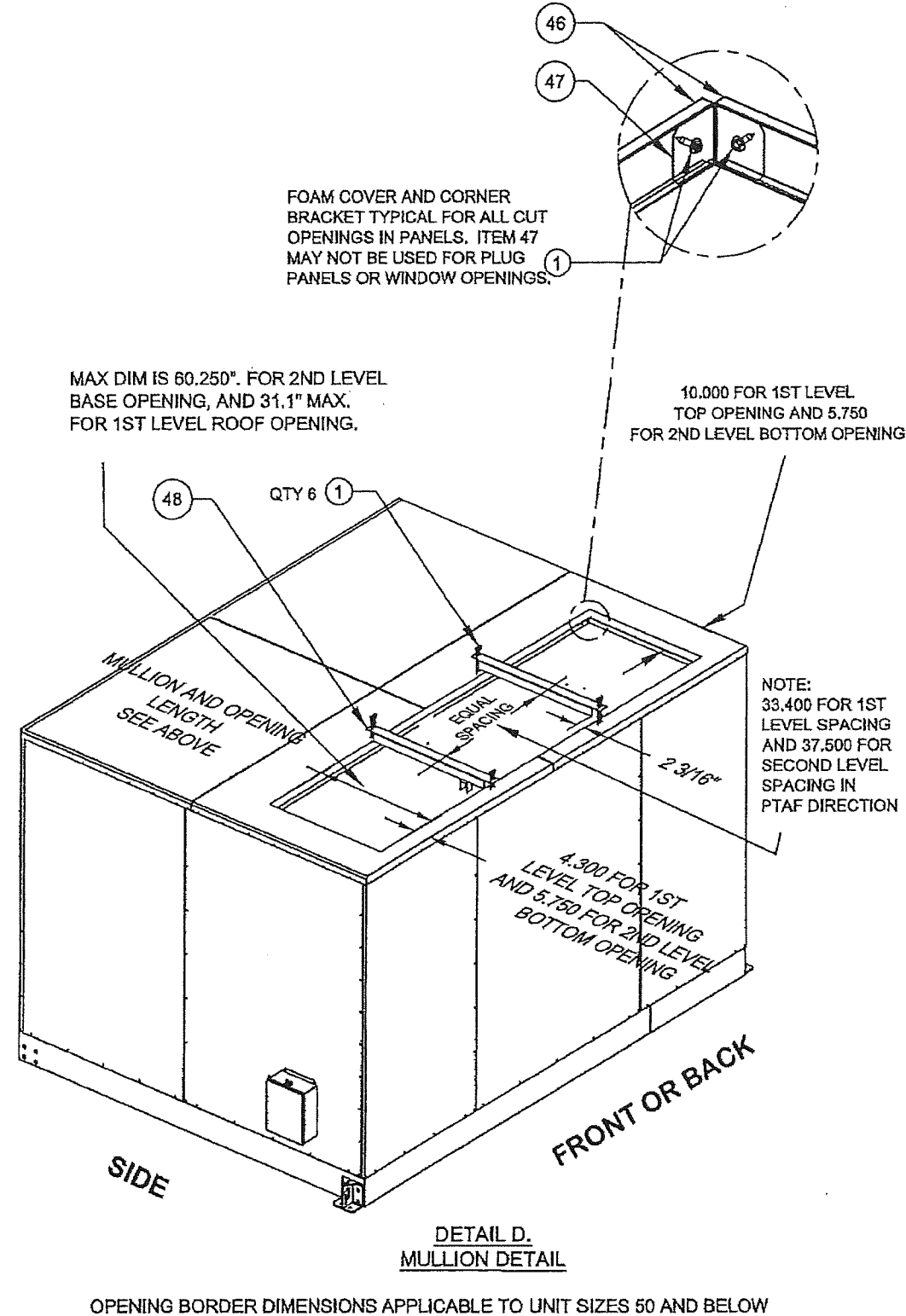
PRODUCT REVISED  
 as complying with the Florida  
 Building Code  
 Acceptance No 14-1120.13  
 Expiration Date 11/21/2018  
 By *Hedy A. Miller*  
 Miami Dade Product Control

Approved as complying with the  
 Florida Building Code  
 Date 11/21/2013  
 NOA# 12-0629.02  
 Miami Dade Product Control  
 By *Hedy A. Miller*

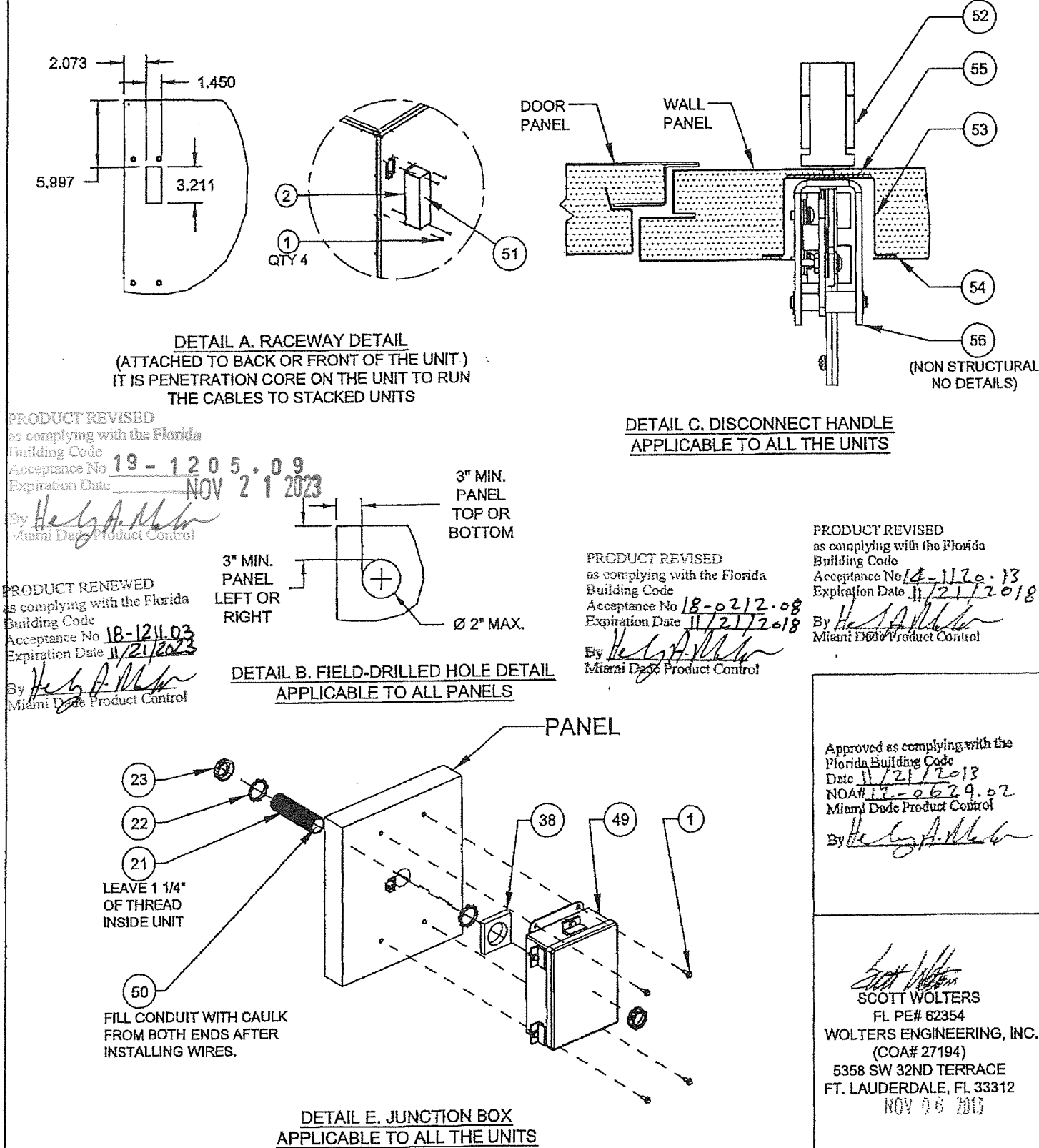
*Scott Wolters*  
 SCOTT WOLTERS  
 FL PE# 62354  
 WOLTERS ENGINEERING, INC.  
 (COA# 27194)  
 5358 SW 32ND TERRACE  
 FT. LAUDERDALE, FL 33312  
 NOV 05 2013

DRAWING # <b>AIRS0672</b>		DESC. <b>TRANE PERFORMANCE CLIMATE CHANGER AIR HANDLER - SIZE 50 STACKED UNIT</b>	<b>TRANE</b> US Inc.	REV. HISTORY	BY: <b>K.YUVARAJA</b>	REV. <b>A</b>
SHEET <b>15 OF 47</b>	SECTION			MOCK UP/DWG SHEET REF: <b>9, 10 OF 63</b>	SCALE: <b>NTS</b>	DATE <b>06-SEP-2013</b>

**OPENING SIZES & MULLION DETAILS  
ON BASE AND ROOF**



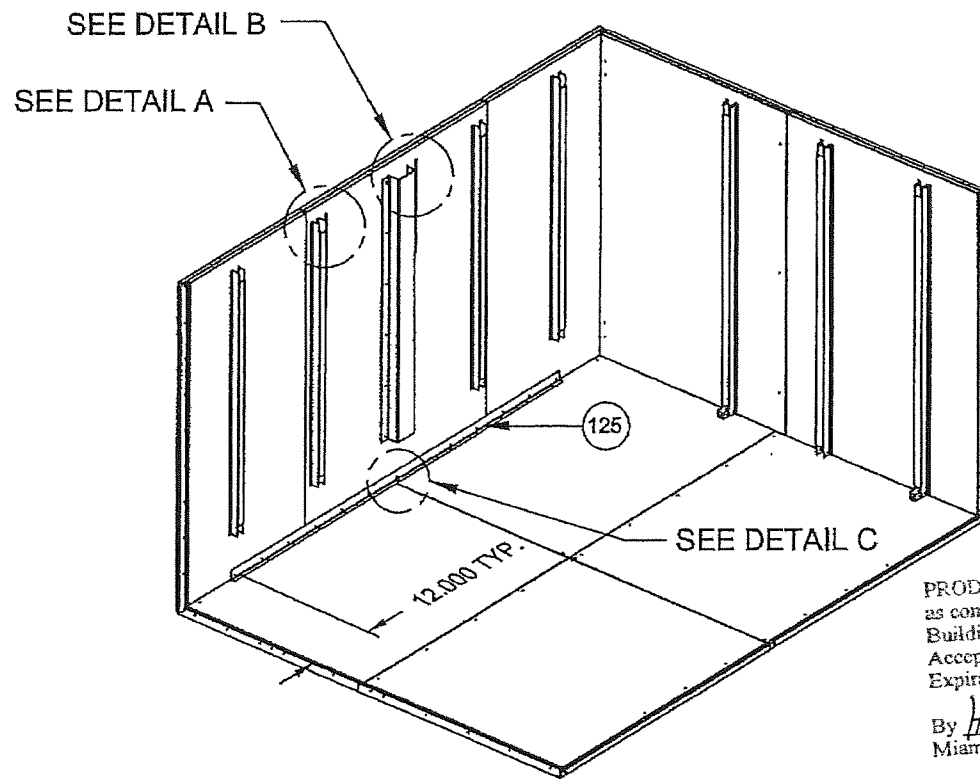
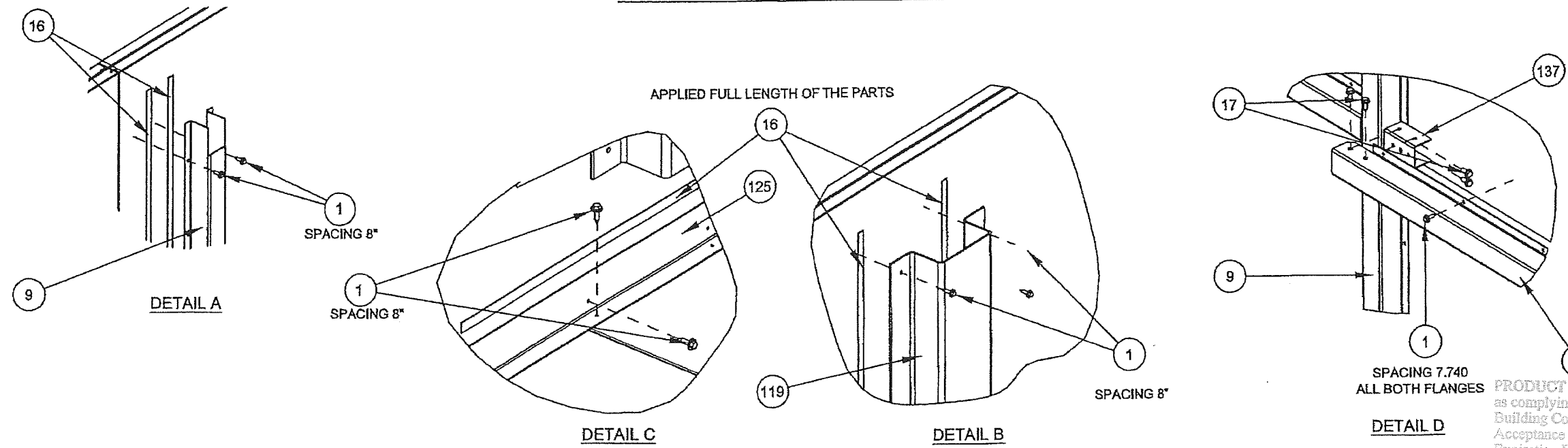
**OTHER GENERIC COMPONENT**



DRAWING # <b>AIRS0672</b>	DESC. <b>TRANE PERFORMANCE CLIMATE CHANGER AIR HANDLER - SIZE 50 STACKED UNIT</b>	REV. HISTORY ---	BY: <b>K.YUVARAJA</b>	REV. <b>A</b>
SHEET 16 OF 47	SECTION	MOCK UP/DWG SHEET REF: 7, 10, 12, 22, 23 OF 63	SCALE: NTS	DATE 06-SEP-2013

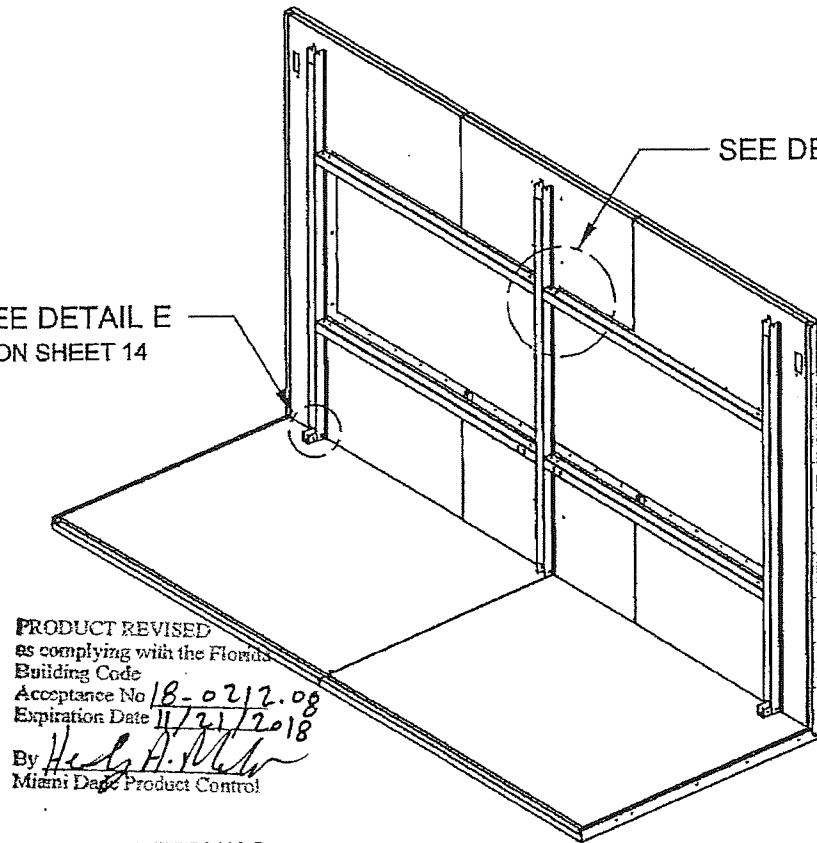


# WALL SUPPORT STRUCTURE INSTALL



PRODUCT RENEWED  
as complying with the Florida  
Building Code  
Acceptance No 18-1211.03  
Expiration Date 11/21/2023  
By *Hedy A. Melton*  
Miami Dade Product Control

SEE DETAIL E  
ON SHEET 14



PRODUCT REVISED  
as complying with the Florida  
Building Code  
Acceptance No 18-0212.08  
Expiration Date 11/21/2018  
By *Hedy A. Melton*  
Miami Dade Product Control

PRODUCT REVISED  
as complying with the Florida  
Building Code  
Acceptance No 19-1205.09  
Expiration Date 11/21/2023

By *Hedy A. Melton*  
PRODUCT REVISED Control  
as complying with the Florida  
Building Code  
Acceptance No 14-1120.13  
Expiration Date 11/21/2018  
By *Hedy A. Melton*  
Miami Dade Product Control

Approved as complying with the  
Florida Building Code  
Date 11/21/2013  
NOA# 12-0629.02  
Miami Dade Product Control

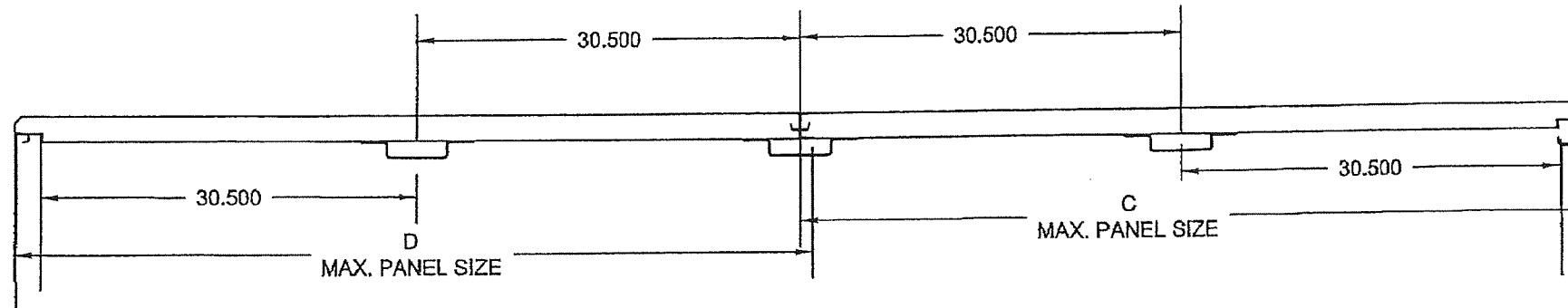
By *Hedy A. Melton*

*Scott Wolters*  
SCOTT WOLTERS  
FL PE# 62354  
WOLTERS ENGINEERING, INC.  
(COA# 27194)  
5358 SW 32ND TERRACE  
FT. LAUDERDALE, FL 33312  
807 95 2015

- NOTES:  
1. ALL HAT CHANNELS AND OPENING SUPPORT CHANNELS ARE ADHESIVED WITH ITEM 16.(TYPICAL)  
2. HAT CHANNELS THAT DROPS DOWN TO THE FLOOR WILL BE ATTACHED TO THE FLOOR WITH A BRACKET AT 48" MAX INTERVALS.  
ITEM 9 AT THE ENDS OF THE OPENING WILL BE ATTACHED TO THE FLOOR AS WELL.

DRAWING #	AIRS0672	DESC.	TRANE PERFORMANCE CLIMATE CHANGER AIR HANDLER - SIZE 50 STACKED UNIT	<b>TRANE</b> US Inc.	REV. HISTORY	BY:	REV.
SHEET	17 OF 47	SECTION			MOCK UP/DWG SHEET REF:	K.YUVARAJA	A
					39, 40 OF 63	SCALE: NTS	DATE 06-SEP-2013

**ROOF PANEL CONSTRUCTION (B-B PAGE 5)**

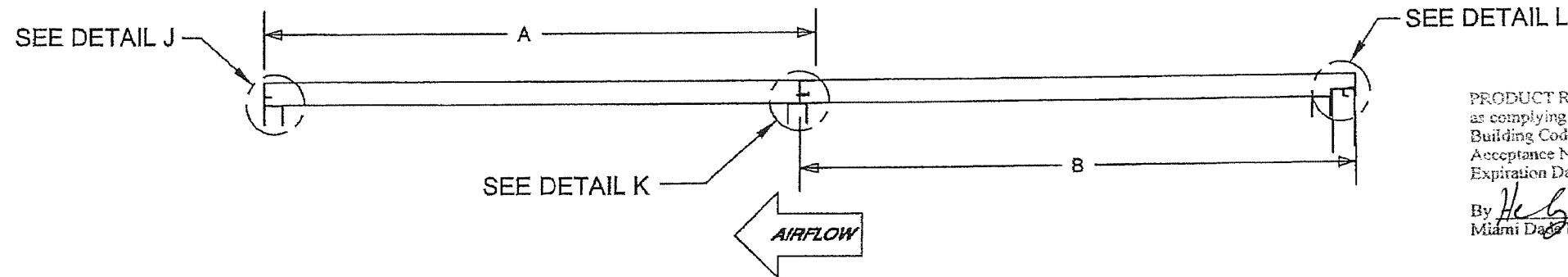


AIRFLOW DIRECTION IS INTO THE PAGE

PRODUCT REVISED  
as complying with the Florida  
Building Code 19-1205-09  
Acceptance No  
Expiration Date NOV 21 2023  
By *Herby A. Malin*  
Miami Dade Product Control

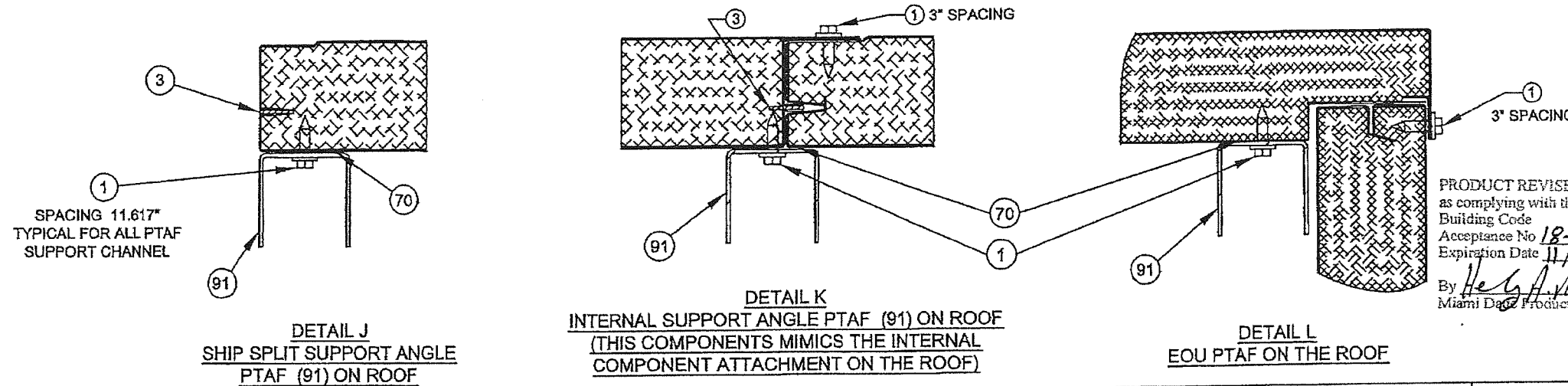
ROOF PANEL MAX DIMENSIONS			
A	B	C	D
49.084	49.034	62.836	63.836

**ROOF PANEL CONSTRUCTION (A-A PAGE 6)**



PRODUCT RENEWED  
as complying with the Florida  
Building Code  
Acceptance No 18-1211-03  
Expiration Date 1/21/2023  
By *Herby A. Malin*  
Miami Dade Product Control

PRODUCT REVISED  
as complying with the Florida  
Building Code  
Acceptance No 14-1120-13  
Expiration Date 11/21/2018  
By *Herby A. Malin*  
Miami Dade Product Control



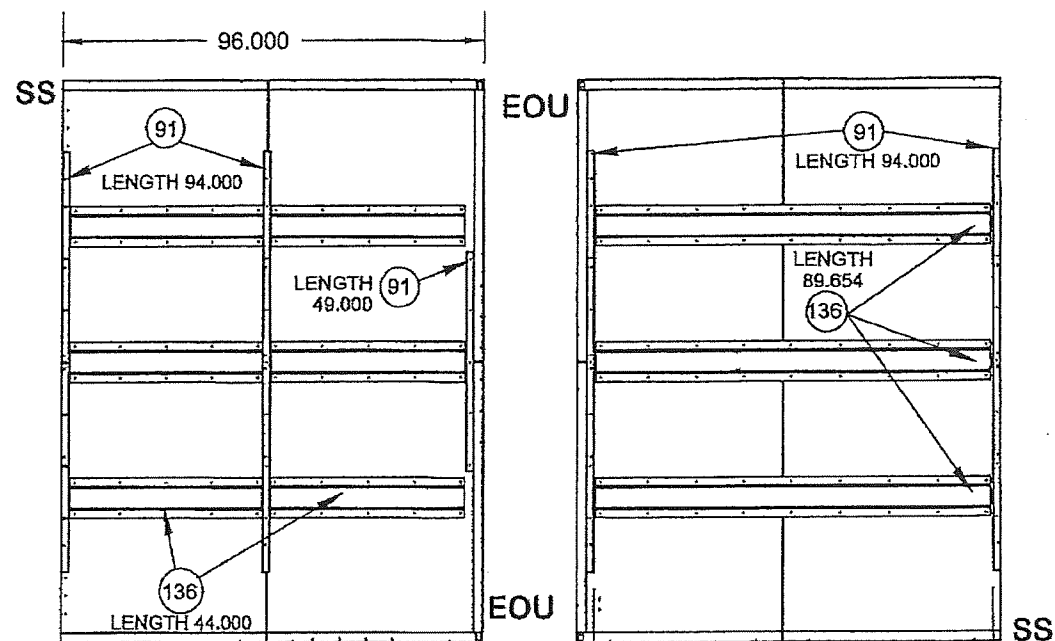
PRODUCT REVISED  
as complying with the Florida  
Building Code  
Acceptance No 18-0212-08  
Expiration Date 11/21/2018  
By *Herby A. Malin*  
Miami Dade Product Control

Approved as complying with the  
Florida Building Code  
Date 11/21/2013  
NOA# 12-0629-02  
Miami Dade Product Control  
By *Herby A. Malin*

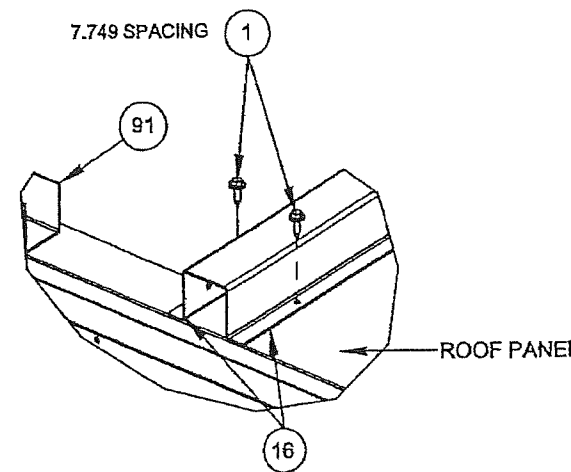
*Scott Wolters*  
SCOTT WOLTERS  
FL PE# 62354  
WOLTERS ENGINEERING, INC.  
(COA# 27194)  
5358 SW 32ND TERRACE  
FT. LAUDERDALE, FL 33312  
NOV 06 2013

DRAWING # <b>AIRS0672</b>	DESC. <b>TRANE PERFORMANCE CLIMATE CHANGER AIR HANDLER - SIZE 50 STACKED UNIT</b>	<b>TRANE</b> US Inc.	REV. HISTORY --- MOCK UP DWG SHEET REF: 35, 36 OF 63	BY: <b>K.YUVARAJA</b> SCALE: NTS	REV. <b>A</b> DATE 06-SEP-2013
------------------------------	--	-------------------------	--	---	---

**ROOF AND OPENING SUPPORT STRUCTURE**  
(VARIOUS ROOF SUPPORT STRUCTURE SEEN FROM INSIDE THE UNIT)



90.653  
UNSUPPORTED SPAN

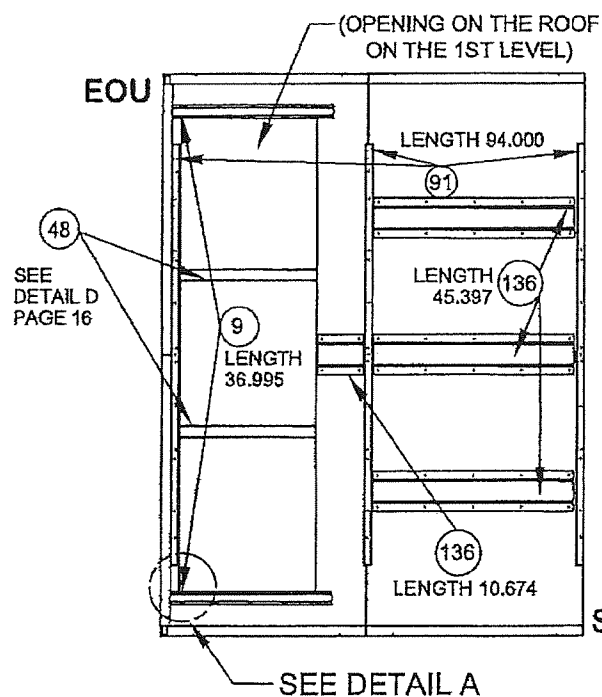


DETAIL A

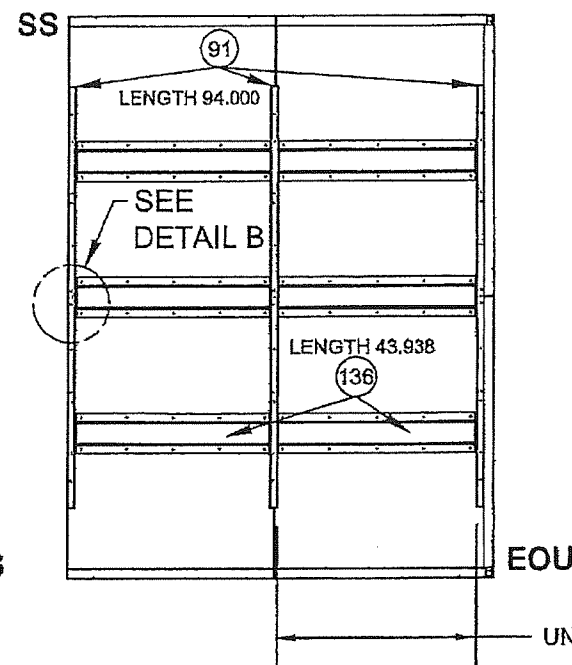
PTAF AND DOAF SUPPORT  
CHANNEL INSTALL GENERIC

PRODUCT REVISED  
as complying with the Florida  
Building Code  
Acceptance No 19-1205  
Expiration Date NOV 21 2023  
By *Healy A. Miller*  
Miami Dade Product Control

EOU - END OF UNIT  
SS - SHIPPING SPLIT

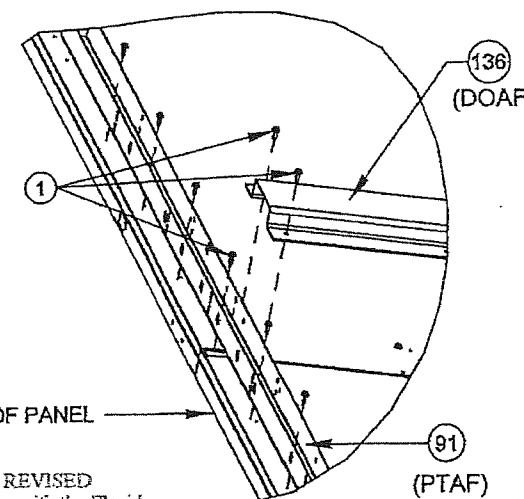


SEE  
DETAIL D  
PAGE 16



44.434  
UNSUPPORTED SPAN

PRODUCT RENEWED  
as complying with the Florida  
Building Code  
Acceptance No 18-1211-03  
Expiration Date 11/21/2023  
By *Healy A. Miller*  
Miami Dade Product Control



DETAIL B

PRODUCT REVISED  
as complying with the Florida  
Building Code  
Acceptance No 18-0212-09  
Expiration Date 11/21/2018  
By *Healy A. Miller*  
Miami Dade Product Control

PRODUCT REVISED  
as complying with the Florida  
Building Code  
Acceptance No 14-1120-13  
Expiration Date 11/21/2018  
By *Healy A. Miller*  
Miami Dade Product Control

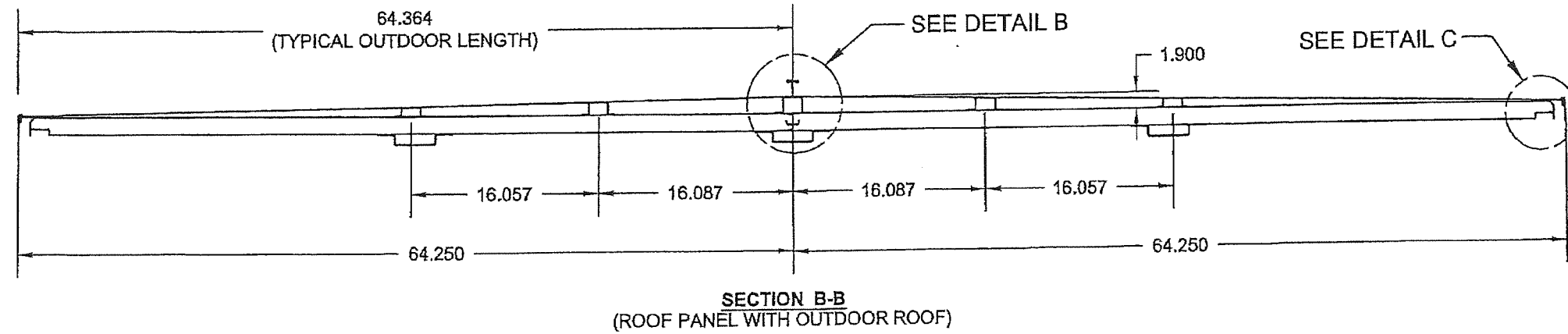
Approved as complying with the  
Florida Building Code  
Date 11/21/2013  
NOA# 12-0629-02  
Miami Dade Product Control  
By *Healy A. Miller*

*Scott Wolters*  
SCOTT WOLTERS  
FL PE# 62354  
WOLTERS ENGINEERING, INC.  
(COA# 27194)  
5358 SW 32ND TERRACE  
FT. LAUDERDALE, FL 33312  
NOV 06 2013

DRAWING # <b>AIRS0672</b>	DESC. <b>TRANE PERFORMANCE CLIMATE CHANGER AIR HANDLER - SIZE 50 STACKED UNIT</b>	REV. HISTORY ---	BY: <b>K.YUVARAJA</b>	REV. <b>A</b>
SHEET 19 OF 47	SECTION	MOCK UP/DWG SHEET REF: <b>37, 38 OF 63</b>	SCALE: <b>NTS</b>	DATE <b>06-SEP-2013</b>
<b>TRANE</b> US Inc.				

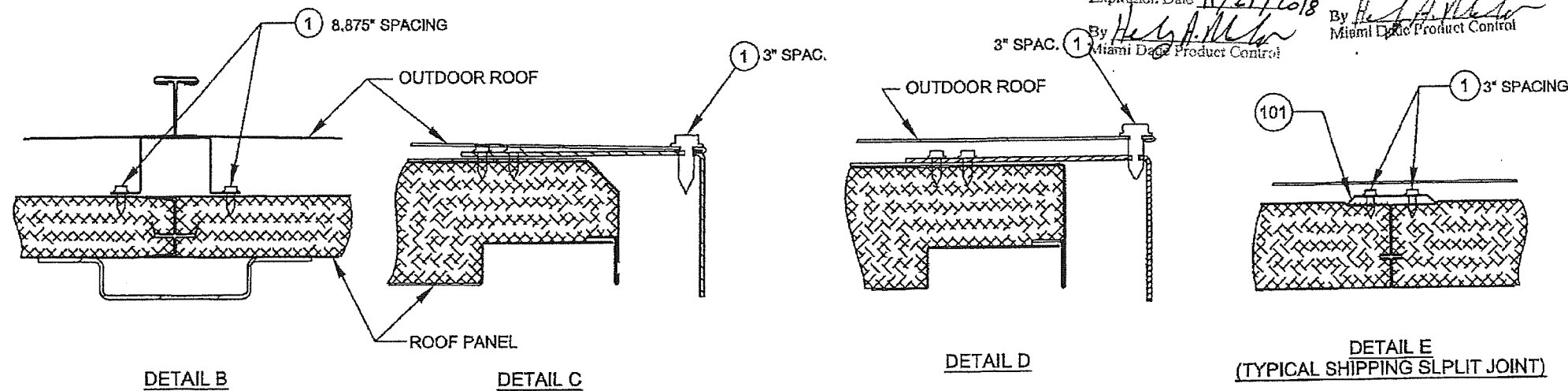
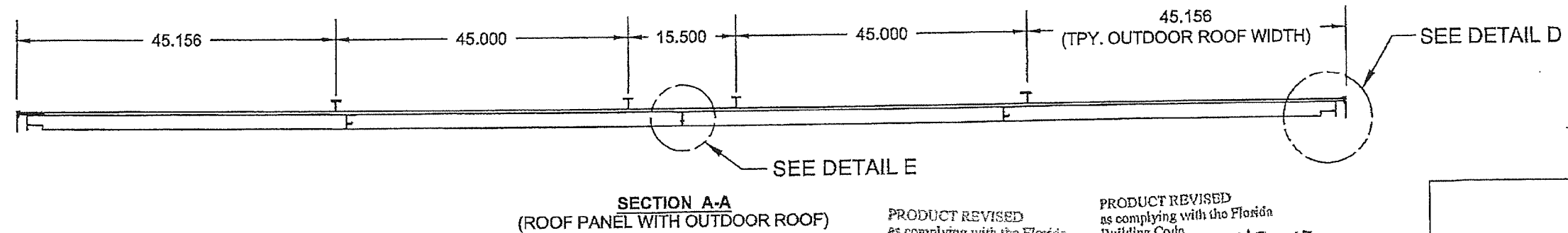


**OUTDOOR ROOF TO ROOF PANEL**



PRODUCT REVISED  
 as complying with the Florida  
 Building Code  
 Acceptance No **19-1205-09**  
 Expiration Date **NOV 21 2023**  
 By *Healy A. Walker*  
 Miami Dade Product Control

PRODUCT RENEWED  
 as complying with the Florida  
 Building Code  
 Acceptance No **18-124-03**  
 Expiration Date **11/21/2023**  
 By *Healy A. Walker*  
 Miami Dade Product Control



PRODUCT REVISED  
 as complying with the Florida  
 Building Code  
 Acceptance No **18-0212-08**  
 Expiration Date **11/21/2018**  
 By *Healy A. Walker*  
 Miami Dade Product Control

PRODUCT REVISED  
 as complying with the Florida  
 Building Code  
 Acceptance No **14-1120-13**  
 Expiration Date **11/21/2018**  
 By *Healy A. Walker*  
 Miami Dade Product Control

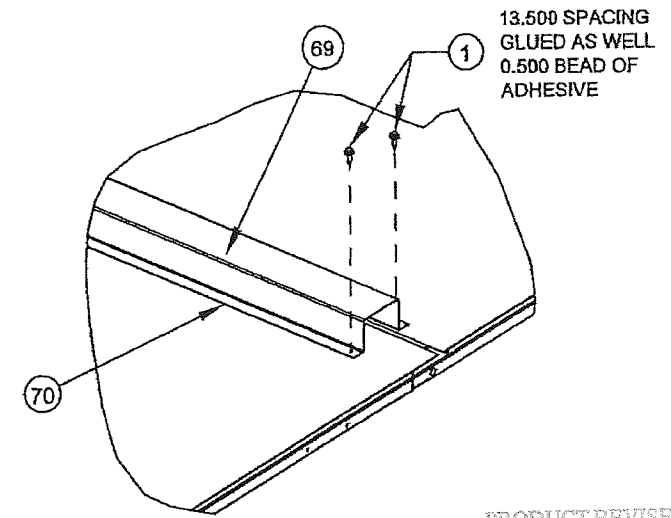
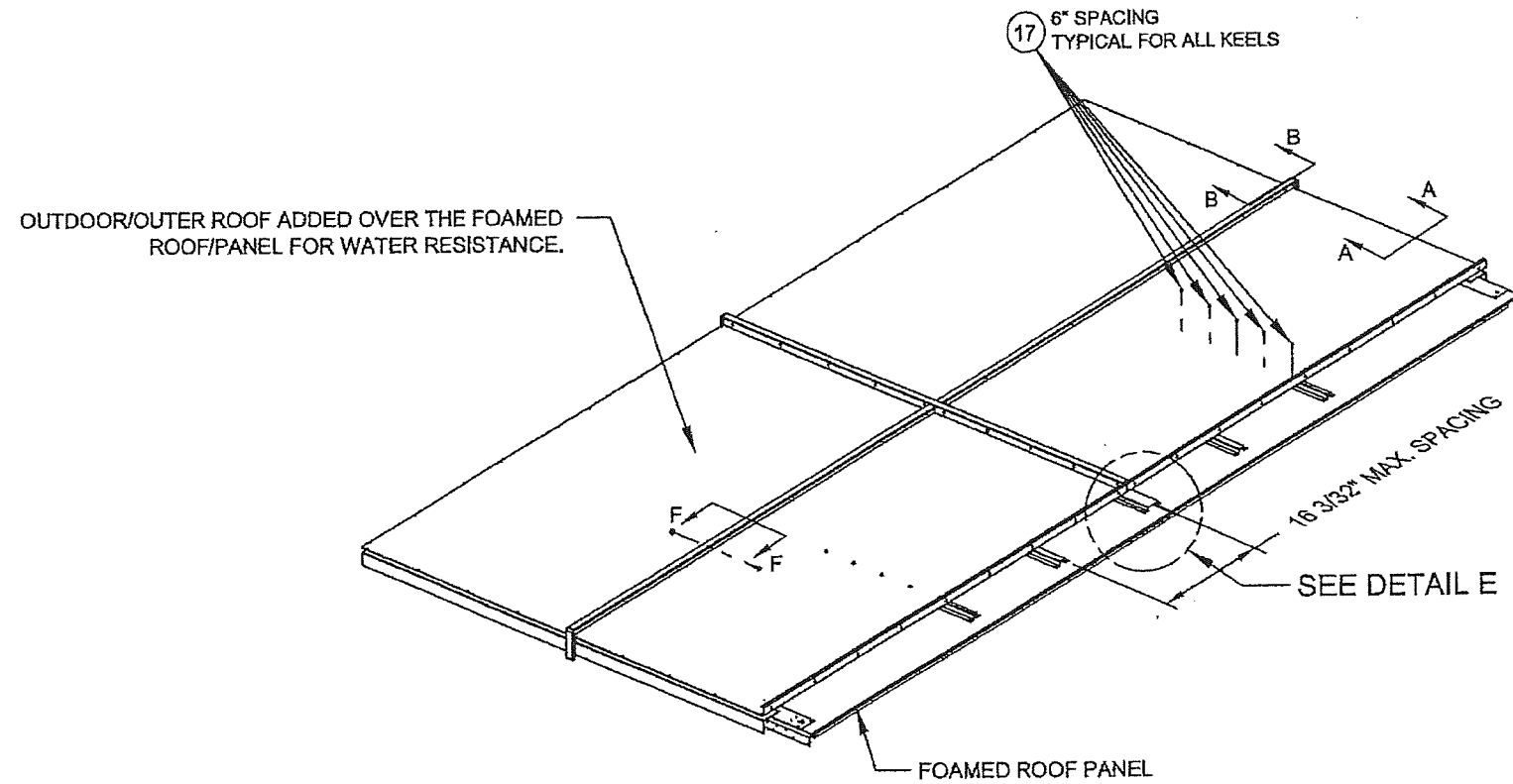
Approved as complying with the  
 Florida Building Code  
 Date **11/21/2013**  
 NOA# **12-0629-02**  
 Miami Dade Product Control  
 By *Healy A. Walker*

*Scott Walters*  
 SCOTT WALTERS  
 FL PE# 62354  
 WALTERS ENGINEERING, INC.  
 (COA# 27194)  
 5358 SW 32ND TERRACE  
 FT. LAUDERDALE, FL 33312  
 NOV 05 2013

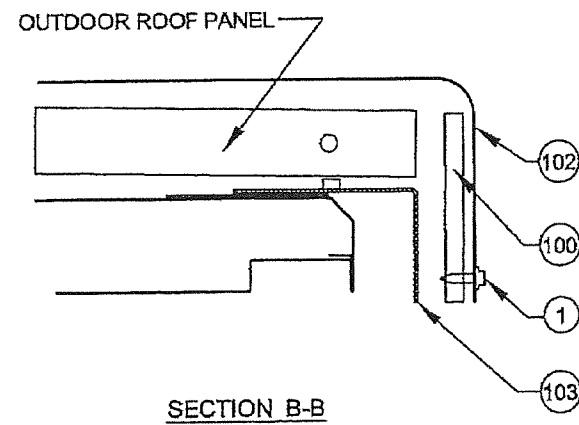
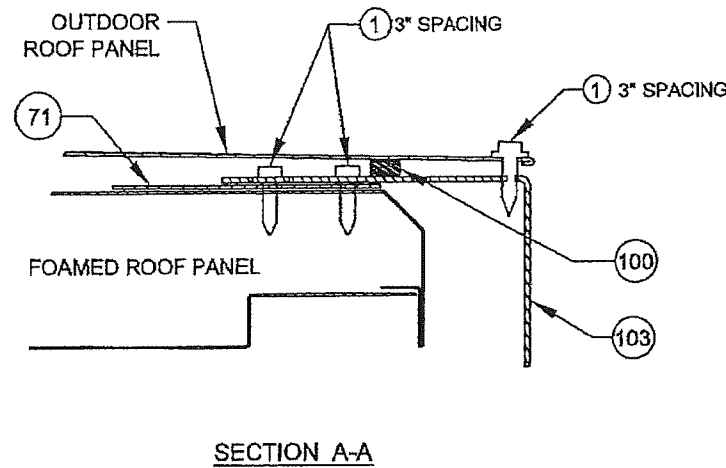
DRAWING # <b>AIRS0672</b>	DESC. <b>TRANE PERFORMANCE CLIMATE CHANGER AIR HANDLER - SIZE 50 STACKED UNIT</b>	<b>TRANE</b> US Inc.	REV. HISTORY ---	BY: <b>K.YUVARAJA</b>	REV. <b>A</b>
SHEET 20 OF 47	SECTION		MOCK UP/DWG SHEET REF: 34 OF 63	SCALE: NTS	DATE 06-SEP-2013



# OUTDOOR ROOF DETAILS

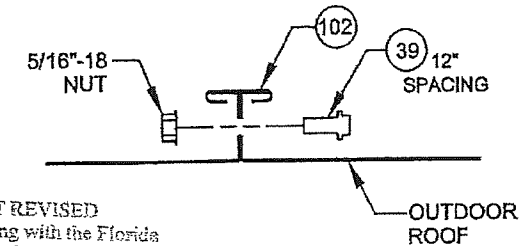


**DETAIL E**  
 PRODUCT REVISED  
 as complying with the Florida  
 Building Code 19-1205.09  
 Acceptance No. \_\_\_\_\_  
 Expiration Date **NOV 21 2023**  
 By *Heidi A. Miller*  
 Miami Dade Product Control



PRODUCT RENEWED  
 as complying with the Florida  
 Building Code  
 Acceptance No. 18-1120.13  
 Expiration Date 11/21/2018  
 By *Heidi A. Miller*  
 Miami Dade Product Control

PRODUCT REVISED  
 as complying with the Florida  
 Building Code  
 Acceptance No. 18-0212.08  
 Expiration Date 11/21/2018  
 By *Heidi A. Miller*  
 Miami Dade Product Control



PRODUCT REVISED  
 as complying with the Florida  
 Building Code  
 Acceptance No. 17-0679.02  
 Expiration Date 11/21/2013  
 By *Heidi A. Miller*  
 Miami Dade Product Control

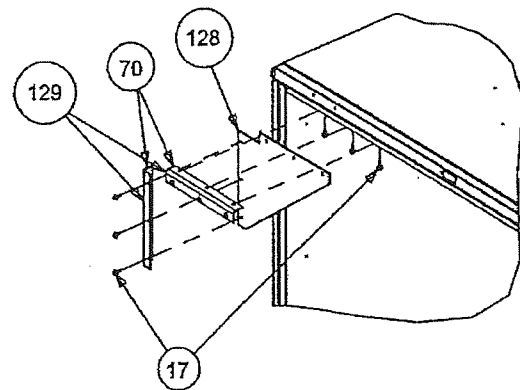
Approved as complying with the  
 Florida Building Code  
 Date 11/21/2013  
 NOA# 17-0679.02  
 Miami Dade Product Control  
 By *Heidi A. Miller*

*Scott Walters*  
 SCOTT WALTERS  
 FL PE# 62354  
 WALTERS ENGINEERING, INC.  
 (COA# 27194)  
 5358 SW 32ND TERRACE  
 FT. LAUDERDALE, FL 33312  
 NOV 10 2013

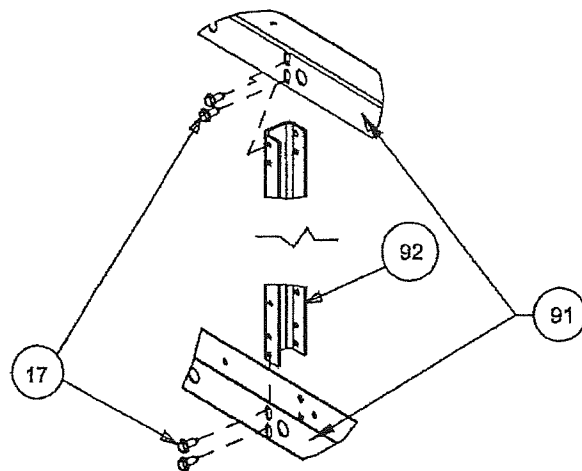
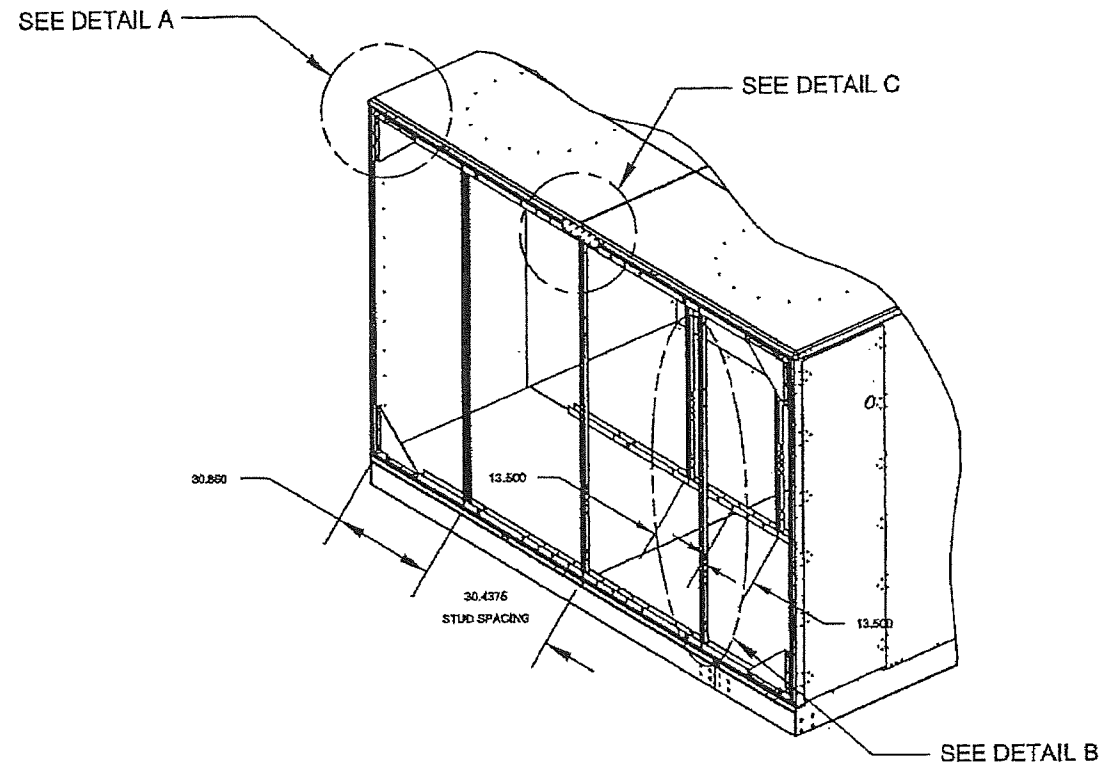
DRAWING #	AIRS0672	DESC.	TRANE PERFORMANCE CLIMATE CHANGER AIR HANDLER - SIZE 50 STACKED UNIT	<b>TRANE</b> US Inc.	REV. HISTORY	BY:	REV.
SHEET	21 OF 47				---	K.YUVARAJA	A
					MOCK UP/DWG SHEET REF: 30, 32-34 OF 63	SCALE: NTS	DATE 06-SEP-2013

## BUILD GROUP / SHIPPING SPLIT CONSTRUCTION DETAILS FOR STANDARD UNIT

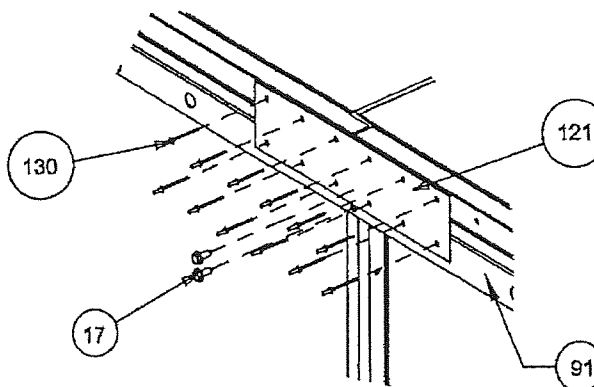
NOTES:  
1. GUSSETS ARE APPLIED ON 1ST LEVEL ONLY.



DETAIL A  
GUSSET INSTALL



DETAIL B  
SHIP SPLIT VERT. CHANNEL INSTALL



DETAIL C  
SPLICE PLATE INSTALL  
NOTE: APPLICABLE  
TO 2ND LEVEL ONLY

PRODUCT REVISED  
as complying with the Florida  
Building Code  
Acceptance No 19-1205.09  
Expiration Date NOV 21 2023  
By *Hedy A. Walters*  
Miami Dade Product Control

PRODUCT RENEWED  
as complying with the Florida  
Building Code  
Acceptance No 18-1211.03  
Expiration Date 11/21/2023  
By *Hedy A. Walters*  
Miami Dade Product Control

Approved as complying with the  
Florida Building Code  
Date 11/21/2013  
NOA# 12-0629.02  
Miami Dade Product Control  
By *Hedy A. Walters*

PRODUCT REVISED  
as complying with the Florida  
Building Code  
Acceptance No 18-0212.08  
Expiration Date 11/21/2018  
By *Hedy A. Walters*  
Miami Dade Product Control

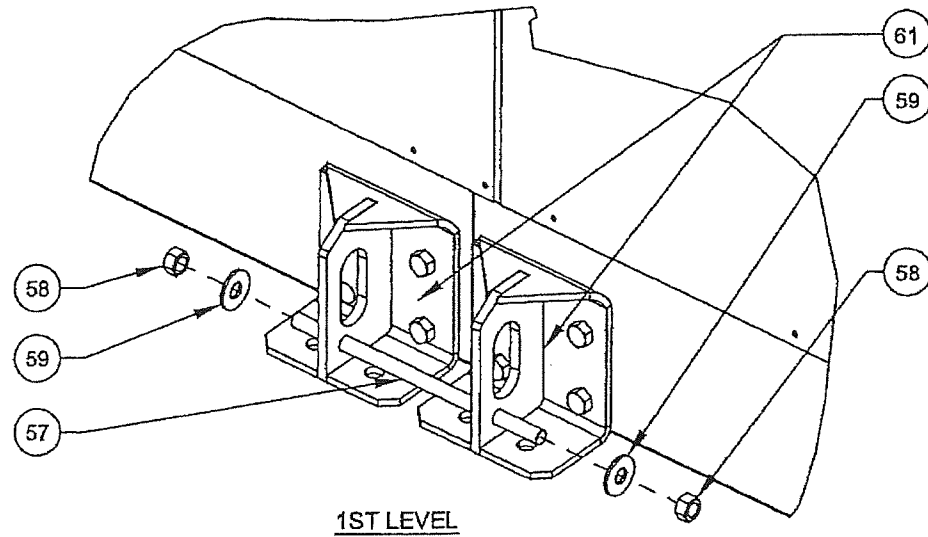
PRODUCT REVISED  
as complying with the Florida  
Building Code  
Acceptance No 14-1120-13  
Expiration Date 11/21/2018  
By *Hedy A. Walters*  
Miami Dade Product Control

*Scott Walters*  
SCOTT WALTERS  
FL PE# 62354  
WALTERS ENGINEERING, INC.  
(COA# 27194)  
5358 SW 32ND TERRACE  
FT. LAUDERDALE, FL 33312  
NOV 06 2013

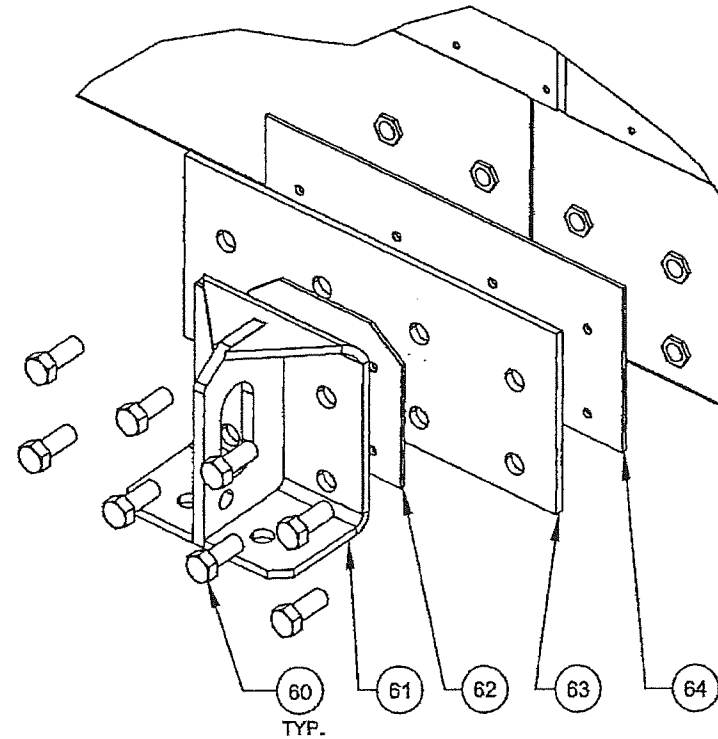
DRAWING #	AIRS0672	DESC.	TRANE PERFORMANCE CLIMATE CHANGER AIR HANDLER - SIZE 50 STACKED UNIT	<b>TRANE</b> US Inc.	REV. HISTORY	BY:	REV.
SHEET	22 OF 47	SECTION			---	K.YUVARAJA	A
					MOCK UP/DWG SHEET REF: 41, 51 OF 63	SCALE: NTS	DATE 06-SEP-2013

## BUILD GROUP/ SHIPPING SPLIT JOIN DETAILS AT THE BASE RAIL.

USE THREADED ROD TO PULL BUILD GROUPS TOGETHER (1ST LEVEL)

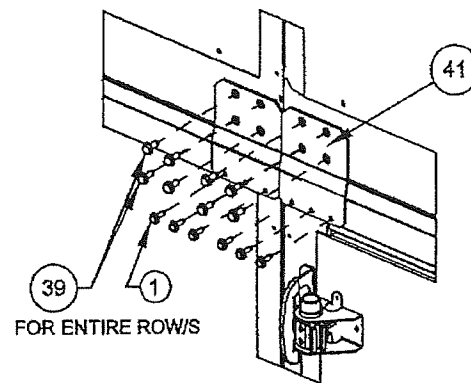


REMOVE LUG FIXTURES AND INSTALL SPLICE PLATE TO HOLD THE BUILD GROUP BASES TOGETHER. IF A LUG IS REQUIRED AT THAT LOCATION, IT SHALL BE CENTERED ON THE SPLICE PLATE.



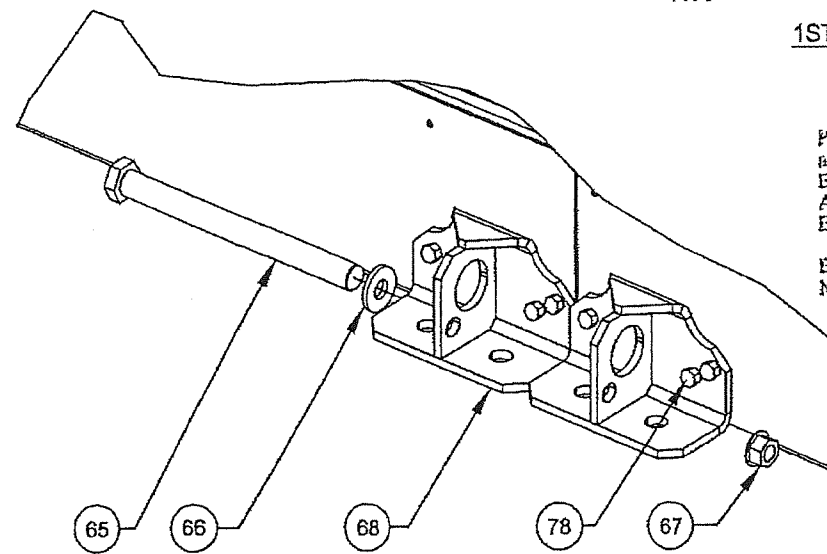
**NOTES:**

1. SECTIONS / BUILDGROUPS PULLED TOGETHER WITH THREADED ROD.
2. IF NEEDED, THIS CAN BE WITH ITEM 63 OR LEAVE IT AS IS WITH THREADED ROD.
3. FOR 2ND LEVEL, THE THREADED BOLT IS USED TO PULL THE SECTION / BUILD GROUPS TOGETHER AND ONCE FASTENED TOGETHER, THE LIFTING LUGS 68 CAN BE REPLACED BY ITEM 41. SEE THAT ATTACHMENT DETAIL H ON THIS SHEET.



**DETAIL H. STACKED UNIT BRACKET  
AT SHIPPING SPLIT DETAIL**

PRODUCT REVISED  
as complying with the Florida  
Building Code  
Acceptance No 18-1211-03  
Expiration Date 11/21/2023  
By *Healy A. Malin*  
Miami Dade Product Control



USE HEX MACHINE BOLT TO PULL BUILD GROUPS TOGETHER (2ND LEVEL)

PRODUCT REVISED  
as complying with the Florida  
Building Code  
Acceptance No 14-1120-13  
Expiration Date 11/21/2018  
By *Healy A. Malin*  
Miami Dade Product Control

PRODUCT REVISED  
as complying with the Florida  
Building Code  
Acceptance No 18-0212-08  
Expiration Date 11/21/2018  
By *Healy A. Malin*  
Miami Dade Product Control

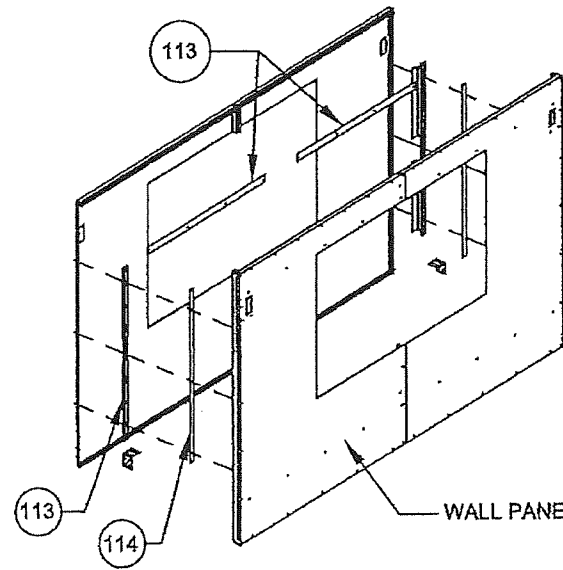
PRODUCT REVISED  
as complying with the Florida  
Building Code  
Acceptance No 19-1205-09  
Expiration Date NOV 21 2023  
By *Healy A. Malin*  
Miami Dade Product Control

Approved as complying with the  
Florida Building Code  
Date 11/21/2013  
NOA# 17-0629-02  
Miami Dade Product Control  
By *Healy A. Malin*

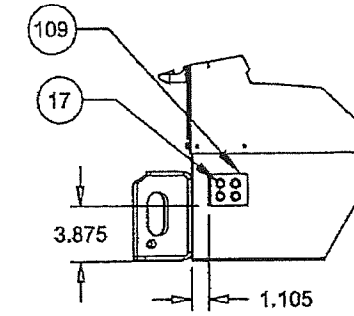
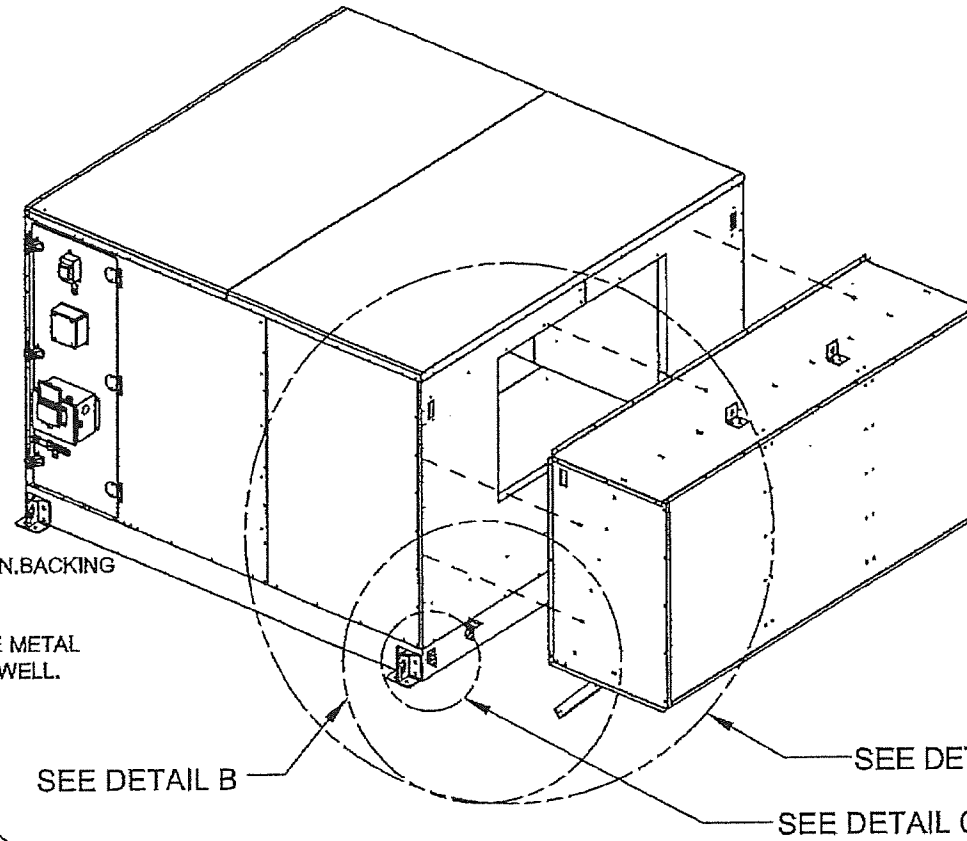
*Scott Wolters*  
**SCOTT WOLTERS**  
FL PE# 62354  
WOLTERS ENGINEERING, INC.  
(COA# 27194)  
5358 SW 32ND TERRACE  
FT. LAUDERDALE, FL 33312  
NOV 08 2013

DRAWING #	AIRS0672	DESC.	TRANE PERFORMANCE CLIMATE CHANGER AIR HANDLER - SIZE 50 STACKED UNIT	REV. HISTORY	---	BY:	K.YUVARAJA	REV.	A
SHEET	23 OF 47	SECTION		TRANE US Inc.	MOCK UP/DWG SHEET REF:	SCALE:	NTS	DATE	06-SEP-2013
					28, 52 OF 63				

# HOOD ATTACHMENT FEATURES



- NOTES:
1. BACKING PLATE IN WALL PANEL ATTACHED WITH DOUBLE SIDED TAPE TO THE OUTER SKIN. BACKING PLATE AND WALL ANCHOR LOCATED IN THE PANEL MATCHING THE HOOD PERIMETER.
  2. THE L ANGLES (ITEM 110) IN HOODS ARE SANDWICHED BETWEEN THE A FRAMES AND THE METAL SKINS. ADHESIVE (ITEM 70) IS APPLIED BETWEEN THE ANGLES AND THE METAL SKINS AS WELL.

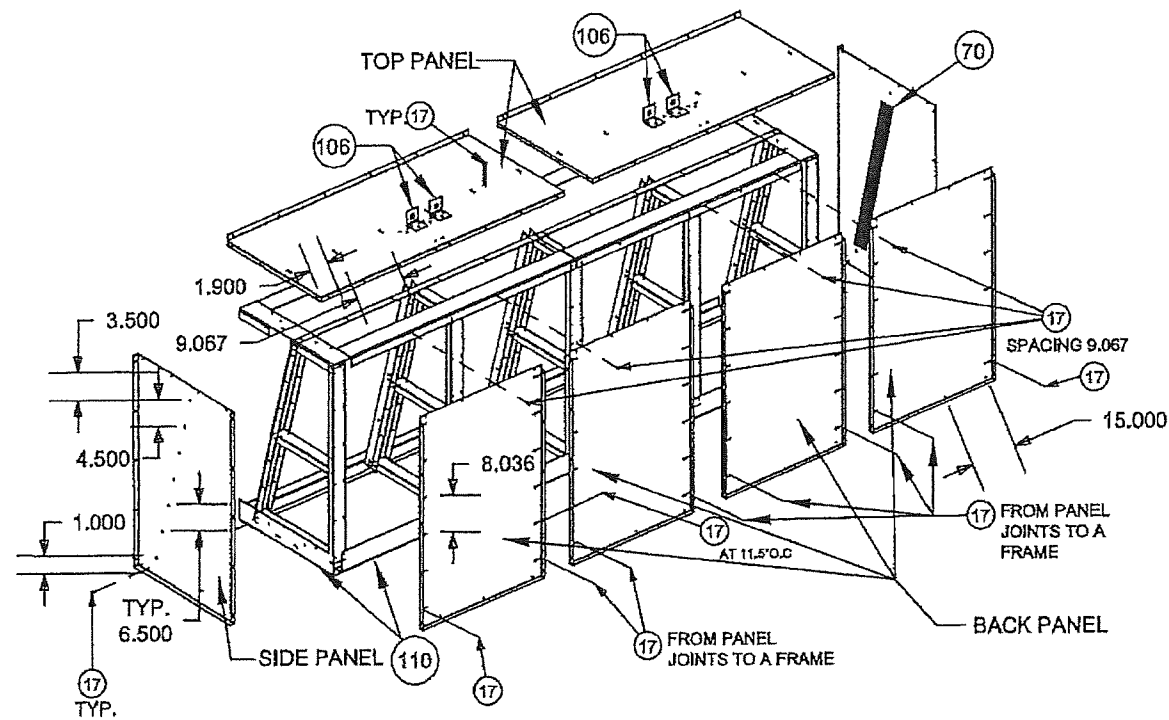


DETAIL C

PRODUCT REVISED  
 as complying with the Florida  
 Building Code  
 Acceptance No 19-1205.09  
 Expiration Date NOV 21 2023  
 By *Heidi A. Miller*  
 Miami Dade Product Control

## HOOD ATTACHMENT

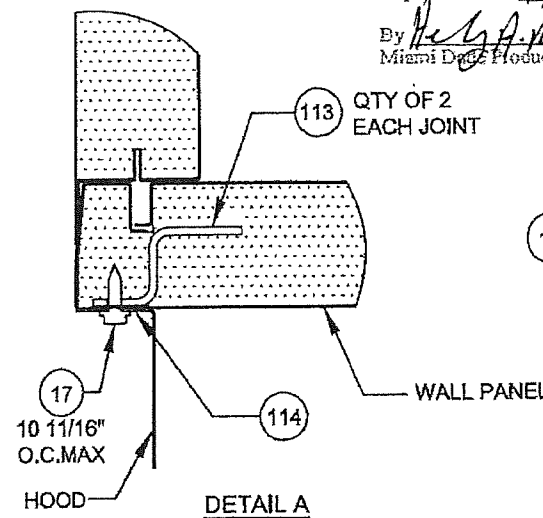
PRODUCT RENEWED  
 as complying with the Florida  
 Building Code  
 Acceptance No 18-1211.03  
 Expiration Date 11/21/2023  
 By *Heidi A. Miller*  
 Miami Dade Product Control



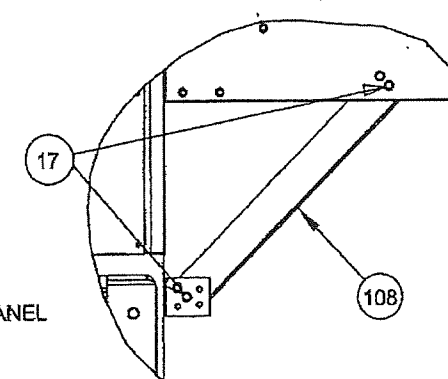
PRODUCT REVISED  
 as complying with the Florida  
 Building Code  
 Acceptance No 18-0212.08  
 Expiration Date 11/21/2018  
 By *Heidi A. Miller*  
 Miami Dade Product Control

PRODUCT REVISED  
 as complying with the Florida  
 Building Code  
 Acceptance No 14-1120.13  
 Expiration Date 11/21/2018  
 By *Heidi A. Miller*  
 Miami Dade Product Control

Approved as complying with the  
 Florida Building Code  
 Date 11/21/2013  
 NOA# 17-0629.02  
 Miami Dade Product Control  
 By *Heidi A. Miller*



DETAIL A



DETAIL B  
 FRONT/BACK HOODS ONLY

*Scott Wolters*  
 SCOTT WOLTERS  
 FL PE# 62354  
 WOLTERS ENGINEERING, INC.  
 (COA# 27194)  
 5358 SW 32ND TERRACE  
 FT. LAUDERDALE, FL 33312  
 NOV 05 2013

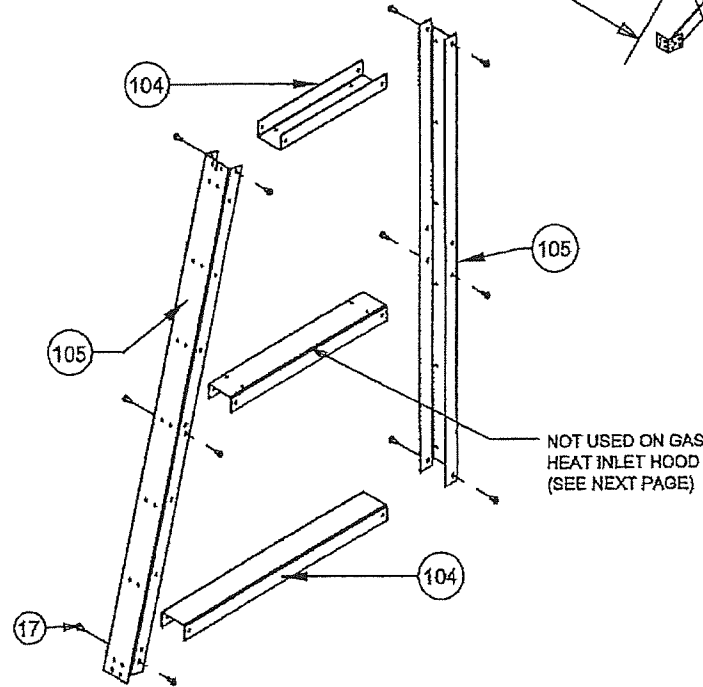
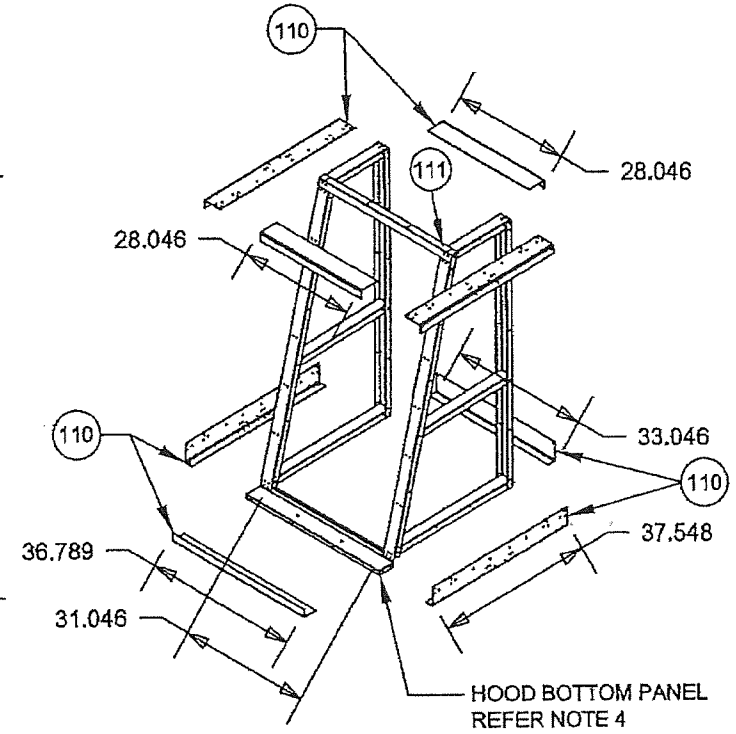
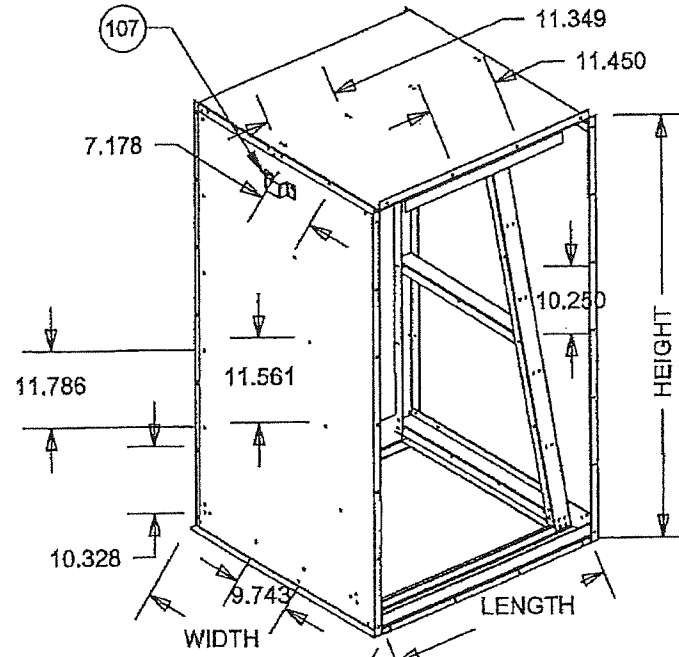
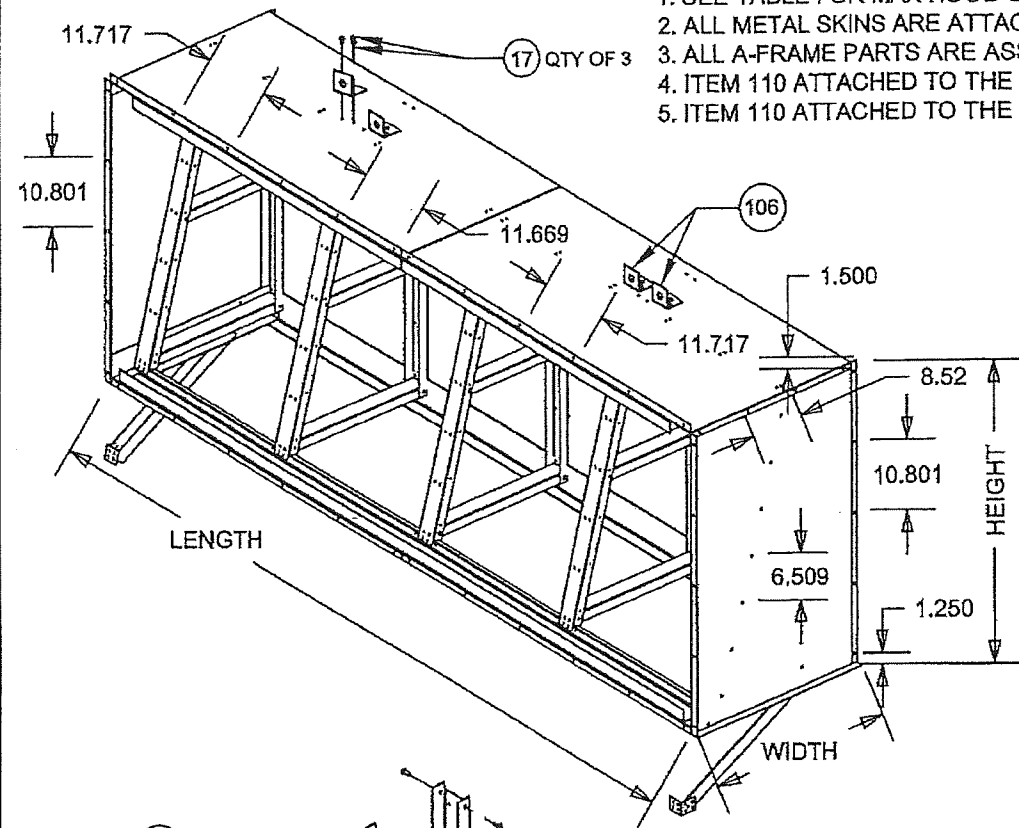
DRAWING #	<b>AIRS0672</b>	DESC.	<b>TRANE PERFORMANCE CLIMATE CHANGER AIR HANDLER - SIZE 50 STACKED UNIT</b>	REV. HISTORY	---	BY:	<b>K.YUVARAJA</b>	REV.	<b>A</b>
SHEET	24 OF 47	SECTION		MOCK UP/DWG SHEET REF:	48, 50 OF 63	SCALE:	NTS	DATE	06-SEP-2013

### HOOD ASSEMBLY DETAILS

**NOTES:**

1. SEE TABLE FOR MAX HOOD SIZES.
2. ALL METAL SKINS ARE ATTACHED WITH 1/4" SCREWS.
3. ALL A-FRAME PARTS ARE ASSEMBLED WITH ITEM 17.
4. ITEM 110 ATTACHED TO THE SIDE HOOD BOTTOM PANEL WITH ITEM 17 AT 12" O.C.
5. ITEM 110 ATTACHED TO THE BACK/FRONT HOOD BOTTOM PANEL WITH SCREWS AT 24" SPACING.

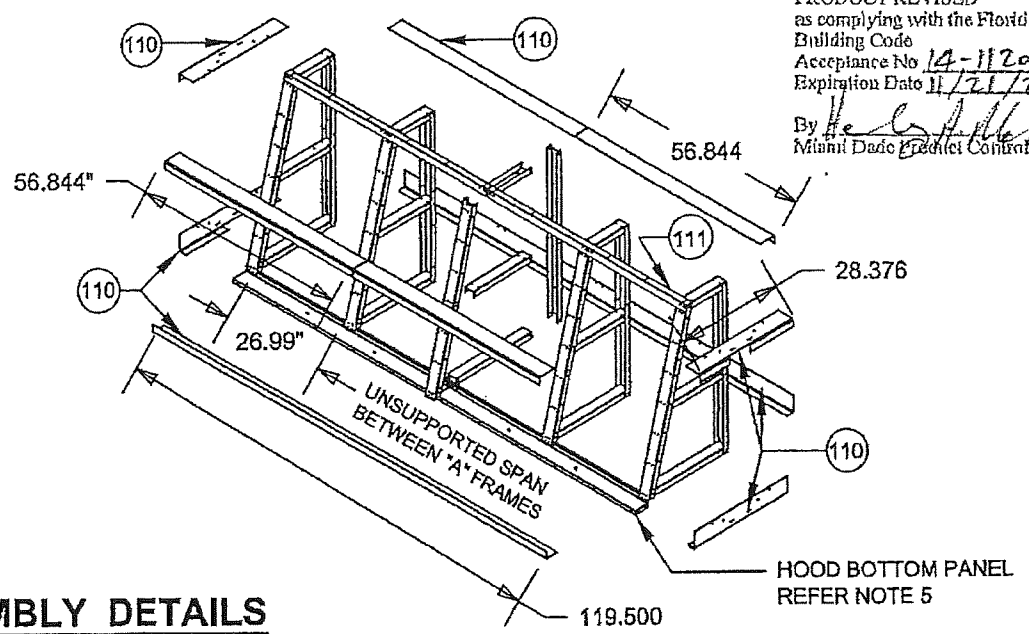
HOOD DESCRIPTION	LENGTH	WIDTH	HEIGHT
BACK/FRONT HOOD	125 15/32"	29.5"	47.5"
SIDE HOOD	38 5/8"	39 5/8"	66.25"



PRODUCT REVISED  
as complying with the Florida  
Building Code  
Acceptance No 19-1205-09  
Expiration Date NOV 21 2023  
By *Heidi A. Melon*  
Miami Dade Product Control

PRODUCT RENEWED  
as complying with the Florida  
Building Code  
Acceptance No 18-1211-03  
Expiration Date 11/21/2023  
By *Heidi A. Melon*  
Miami Dade Product Control

PRODUCT REVISED  
as complying with the Florida  
Building Code  
Acceptance No 18-0212-08  
Expiration Date 11/21/2018  
By *Heidi A. Melon*  
Miami Dade Product Control



PRODUCT REVISED  
as complying with the Florida  
Building Code  
Acceptance No 14-1120-13  
Expiration Date 11/21/2018  
By *Heidi A. Melon*  
Miami Dade Product Control

Approved as complying with the  
Florida Building Code  
Date 11/21/2013  
NOA# 12-0679-02  
Miami Dade Product Control  
By *Heidi A. Melon*

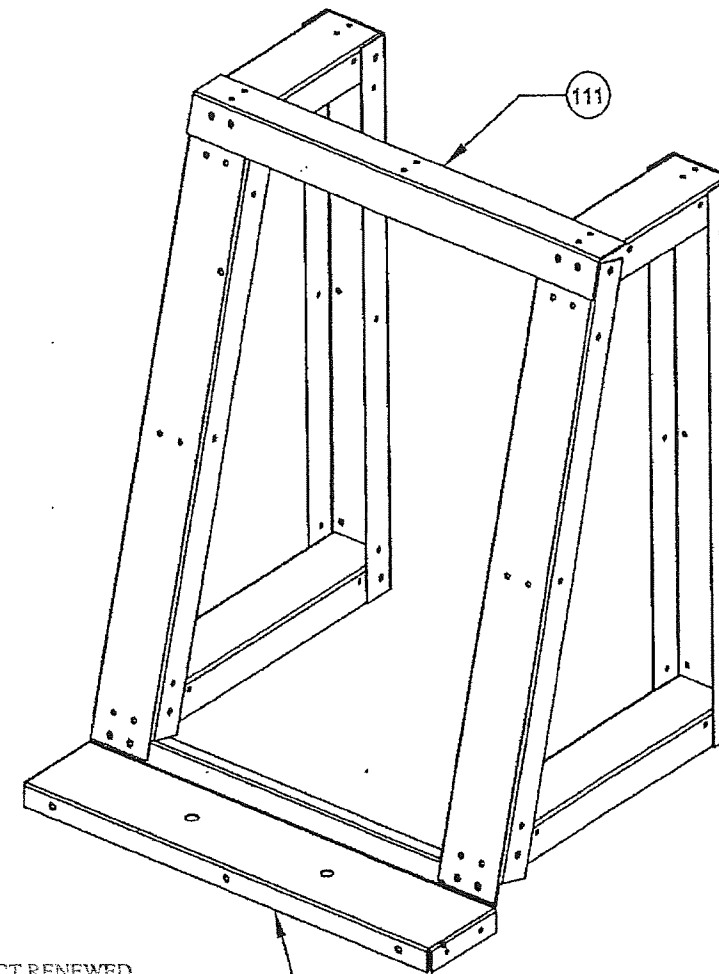
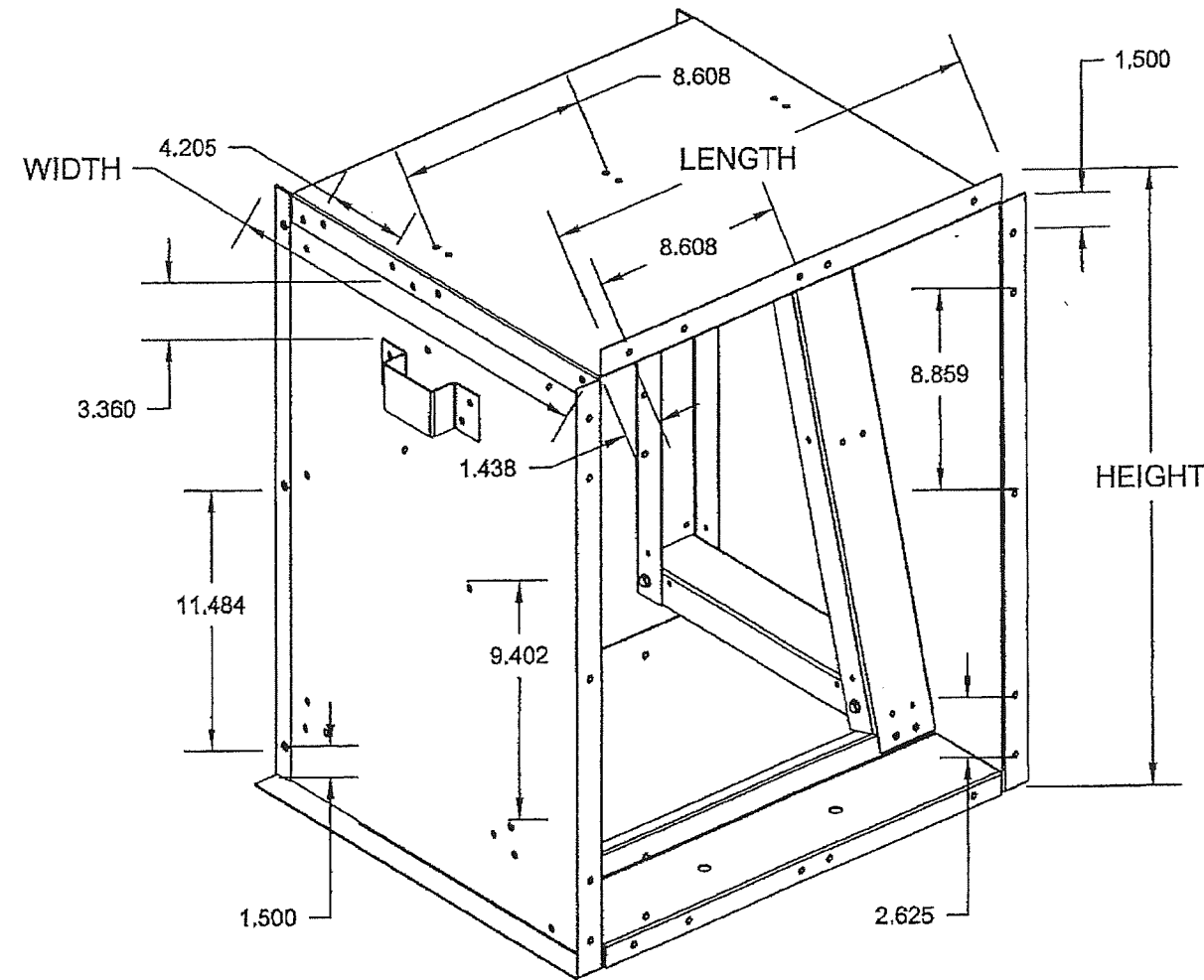
*Scott Wolters*  
SCOTT WOLTERS  
FL PE# 62354  
WOLTERS ENGINEERING, INC.  
(COA# 27194)  
5358 SW 32ND TERRACE  
FT. LAUDERDALE, FL 33312  
NOV 06 2013

### HOOD ASSEMBLY DETAILS

DRAWING #	AIRS0672	DESC.	TRANE PERFORMANCE CLIMATE CHANGER AIR HANDLER - SIZE 50 STACKED UNIT	TRANE US Inc.	REV. HISTORY	---	BY:	K.YUVARAJA	REV.	A
SHEET	25 OF 47	SECTION			MOCK UP/DWG SHEET REF:	43-46 OF 63	SCALE:	NTS	DATE	06-SEP-2013

## GAS HEAT INTAKE HOOD ASSEMBLY DETAILS

- NOTES:
1. SKINS ARE ADHERED WITH STRUCTURAL GLUE.
  2. ALL METAL SKINS ARE ATTACHED WITH 1/4" SCREWS.
  3. ALL A-FRAME PARTS ARE ASSEMBLED WITH ITEM 17.
  4. NO BACKING PLATE REQUIRED WHEN INLET IS ATTACHED TO DOOR.
  5. NO ITEM 110 (L ANGLE) USED FOR THIS HOOD.



PRODUCT RENEWED  
as complying with the Florida  
Building Code  
Acceptance No 18-1211.03  
Expiration Date 11/21/2023  
By *Helga A. Melon*  
Miami Dade Product Control

**A FRAME ASSEMBLY**

HOOD BOTTOM PANEL

PRODUCT REVISED  
as complying with the Florida  
Building Code  
Acceptance No 18-0212.08  
Expiration Date 11/21/2018  
By *Helga A. Melon*  
Miami Dade Product Control

PRODUCT REVISED  
as complying with the Florida  
Building Code  
Acceptance No 19-1205.09  
Expiration Date NOV 21 2023

By *Helga A. Melon*  
Miami Dade Product Control

PRODUCT REVISED  
as complying with the Florida  
Building Code  
Acceptance No 18-1120.13  
Expiration Date 11/21/2018

By *Helga A. Melon*  
Miami Dade Product Control

Approved as complying with the  
Florida Building Code  
Date 11/21/2013  
NOA# 12-0629.02  
Miami Dade Product Control

By *Helga A. Melon*

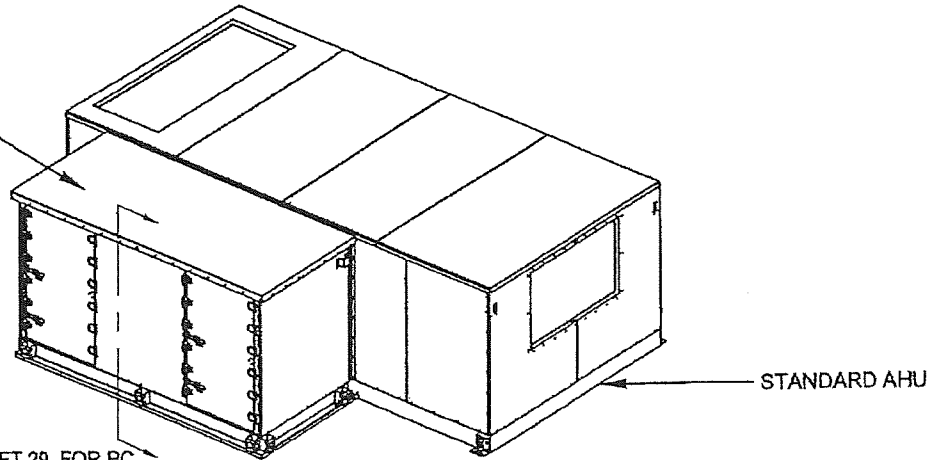
*Scott Wolters*  
**SCOTT WOLTERS**  
FL PE# 62354  
WOLTERS ENGINEERING, INC.  
(COA# 27194)  
5358 SW 32ND TERRACE  
FT. LAUDERDALE, FL 33312  
NOV 6 2013

HOOD DESCRIPTION	LENGTH	WIDTH	HEIGHT
GAS HEAT INLET HOOD	22.780"	19.646"	27.250"

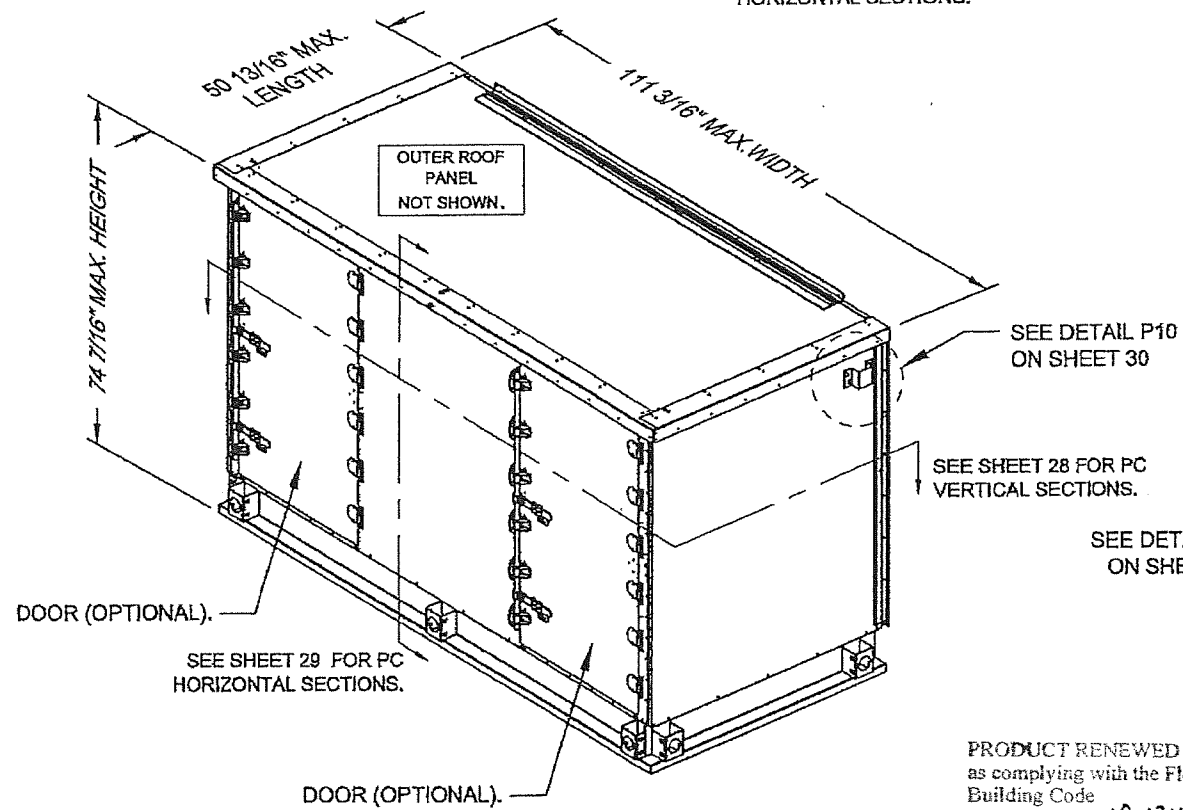
DRAWING # <b>AIRS0672</b>		DESC. <b>TRANE PERFORMANCE CLIMATE CHANGER AIR HANDLER - SIZE 50 STACKED UNIT</b>		REV. HISTORY	BY: <b>K.YUVARAJA</b>	REV. <b>A</b>
SHEET <b>26 OF 47</b>	SECTION			MOCK UP/DWG SHEET REF: <b>47 OF 63</b>	SCALE: <b>NTS</b>	DATE <b>06-SEP-2013</b>

# PIPE CABINET

PIPE CABINET ATTACHES TO SIDE OF STANDARD UNIT.  
(SEE DETAILS P3 AND P4 ON SHEET 28 AND 29, RESPECTIVELY  
AND P11 ON SHEET 30)



SEE SHEET 29 FOR PC  
HORIZONTAL SECTIONS.



DOOR (OPTIONAL).  
SEE SHEET 29 FOR PC  
HORIZONTAL SECTIONS.

DOOR (OPTIONAL).

PRODUCT RENEWED  
as complying with the Florida  
Building Code  
Acceptance No 18-1211.03  
Expiration Date 11/21/2023  
By Heidi A. Miller  
Miami Dade Product Control

SEE DETAIL P9  
ON SHEET 30

SEE DETAIL P8  
ON SHEET 30

PRODUCT REVISED  
as complying with the Florida  
Building Code  
Acceptance No 18-0212.08  
Expiration Date 11/21/2018  
By Heidi A. Miller  
Miami Dade Product Control

PRODUCT REVISED  
as complying with the Florida  
Building Code  
Acceptance No 14-1120.13  
Expiration Date 11/21/2018  
By Heidi A. Miller  
Miami Dade Product Control

OUTER ROOF PANEL

SEE SHEETS 8 AND 11 FOR DOOR  
DETAILS AND MAXIMUM DOOR  
DIMENSIONS. (OPTIONAL)

PRODUCT REVISED  
as complying with the Florida  
Building Code 19-1205.09  
Acceptance No 19-1205.09  
Expiration Date NOV 21 2023  
By Heidi A. Miller  
Miami Dade Product Control

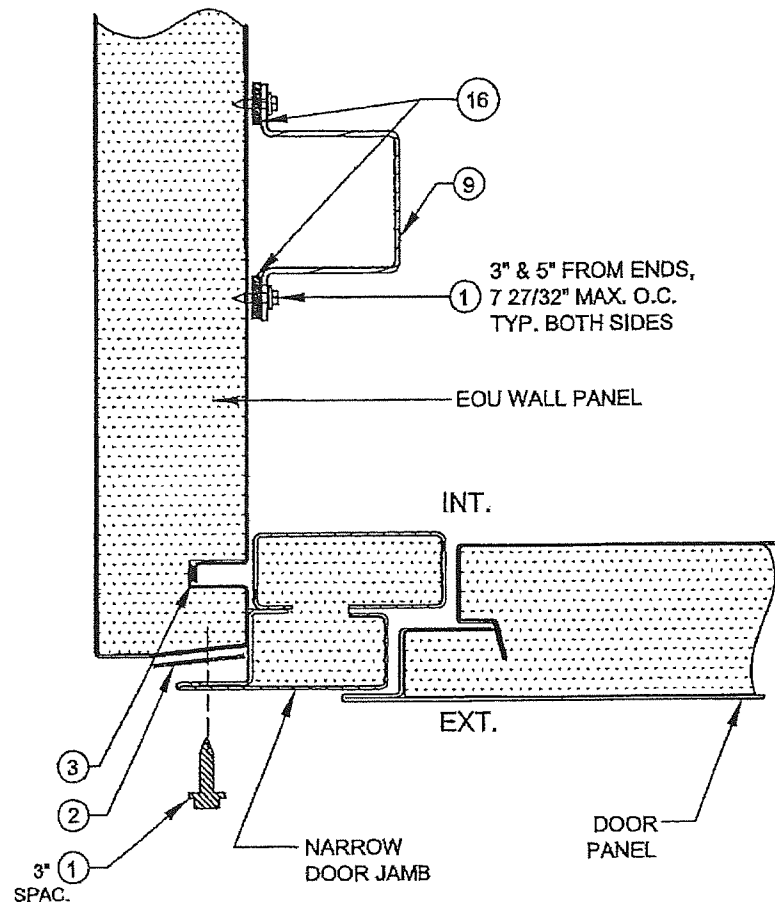
Approved as complying with the  
Florida Building Code  
Date 11/21/2013  
NOA# 17-0629.02  
Miami Dade Product Control  
By Heidi A. Miller

Scott Wolters  
SCOTT WOLTERS  
FL PE# 62354  
WOLTERS ENGINEERING, INC.  
(COA# 27194)  
5358 SW 32ND TERRACE  
FT. LAUDERDALE, FL 33312  
NOV 06 2013

DRAWING #	AIRS0672	DESC.	TRANE PERFORMANCE CLIMATE CHANGER AIR HANDLER - SIZE 50 STACKED UNIT	<b>TRANE</b> US Inc.	REV. HISTORY	BY: K.YUVARAJA	REV. A
SHEET	SECTION				MOCK UP/DWG SHEET REF:	SCALE: NTS	DATE 06-SEP-2013
27 OF 47					2, 4, 5 OF 19		

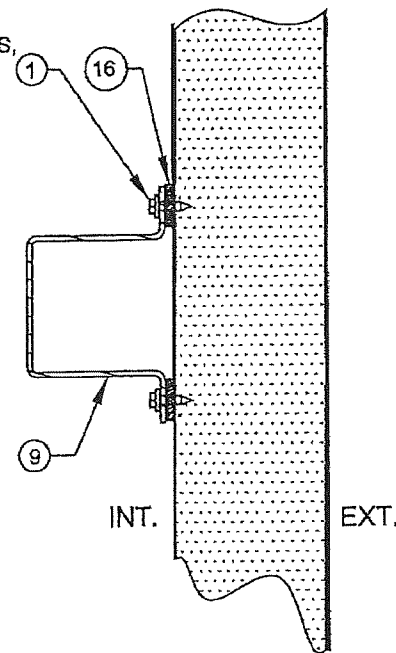


### PIPE CABINET DETAILS

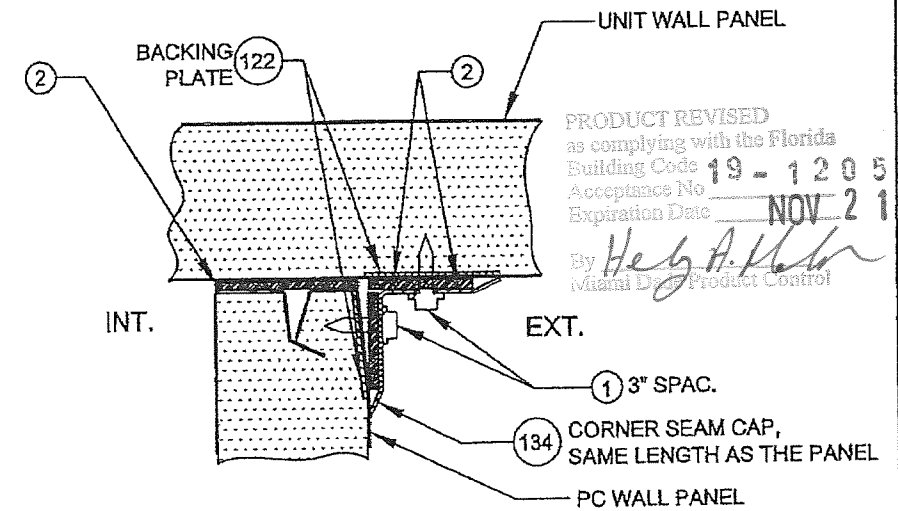


DETAIL P1. DOOR TO EOU

3" & 5" FROM ENDS,  
7 27/32" MAX. O.C.  
TYP. BOTH SIDES



DETAIL P2. HAT CHANNEL TO WALL

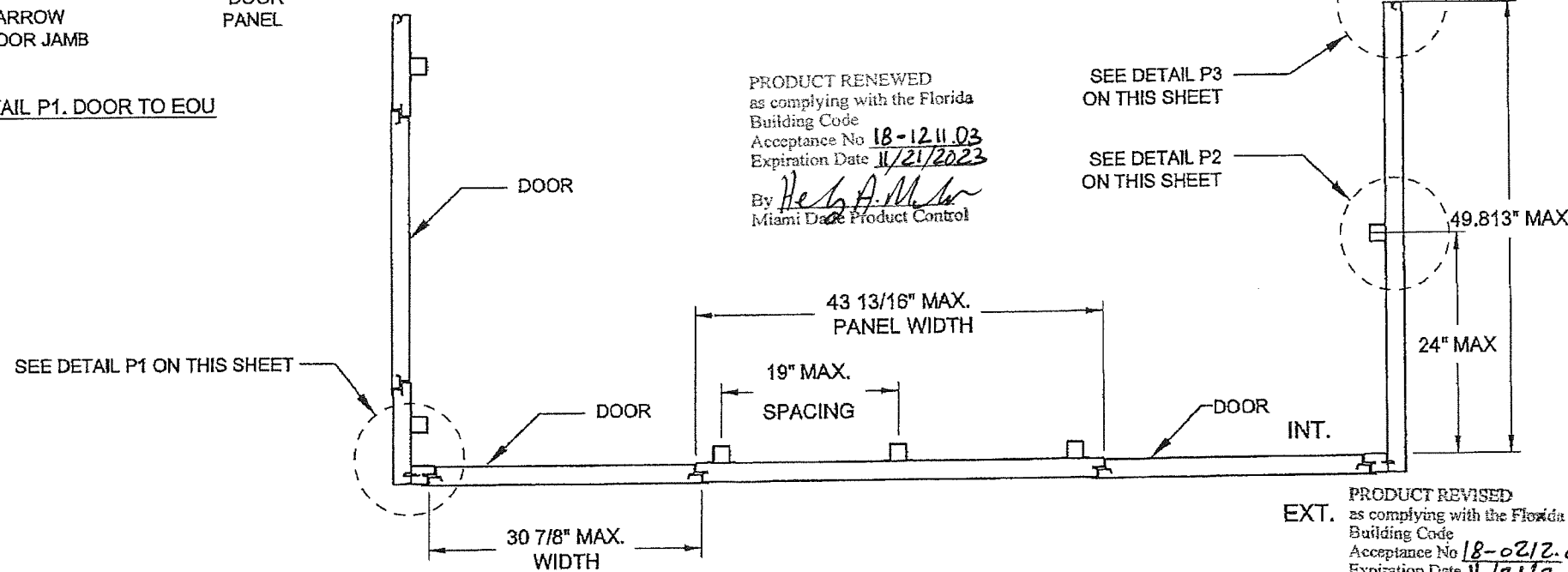


DETAIL P3. PC WALL TO UNIT WALL  
TOP VIEW

PRODUCT REVISED  
as complying with the Florida  
Building Code 19-1205.09  
Acceptance No  
Expiration Date NOV 21 2023  
By *Healy A. Miller*  
Miami Dade Product Control

PRODUCT REVISED  
as complying with the Florida  
Building Code  
Acceptance No 14-1120.13  
Expiration Date 11/21/2018  
By *Healy A. Miller*  
Miami Dade Product Control

NOTES:  
1. DOORS ARE OPTIONAL.



PC VERTICAL SECTIONS

PRODUCT RENEWED  
as complying with the Florida  
Building Code  
Acceptance No 18-1211.03  
Expiration Date 11/21/2023  
By *Healy A. Miller*  
Miami Dade Product Control

SEE DETAIL P3  
ON THIS SHEET

SEE DETAIL P2  
ON THIS SHEET

EXT. PRODUCT REVISED  
as complying with the Florida  
Building Code  
Acceptance No 18-0212.08  
Expiration Date 11/21/2018  
By *Healy A. Miller*  
Miami Dade Product Control

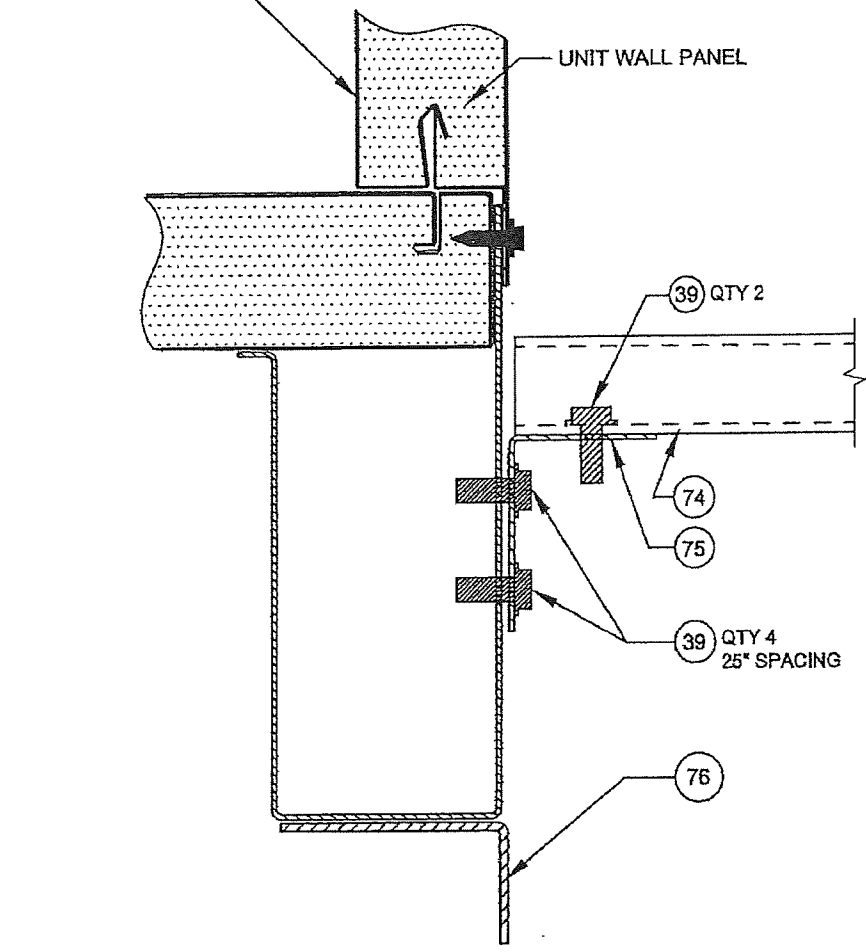
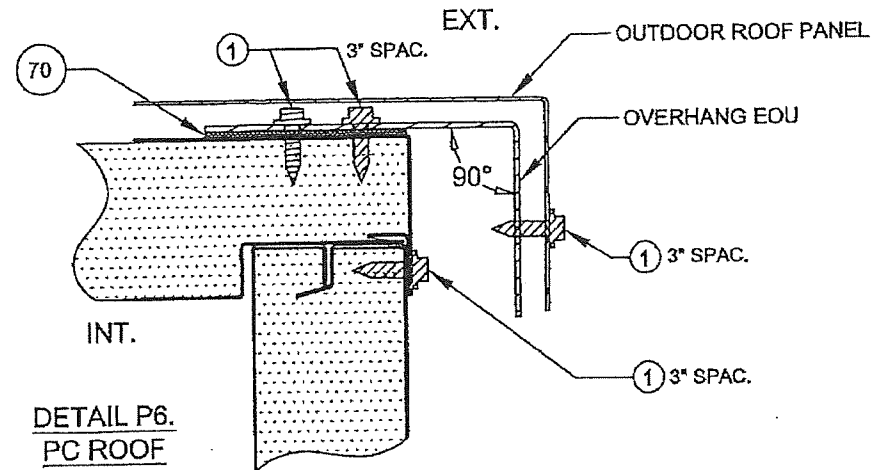
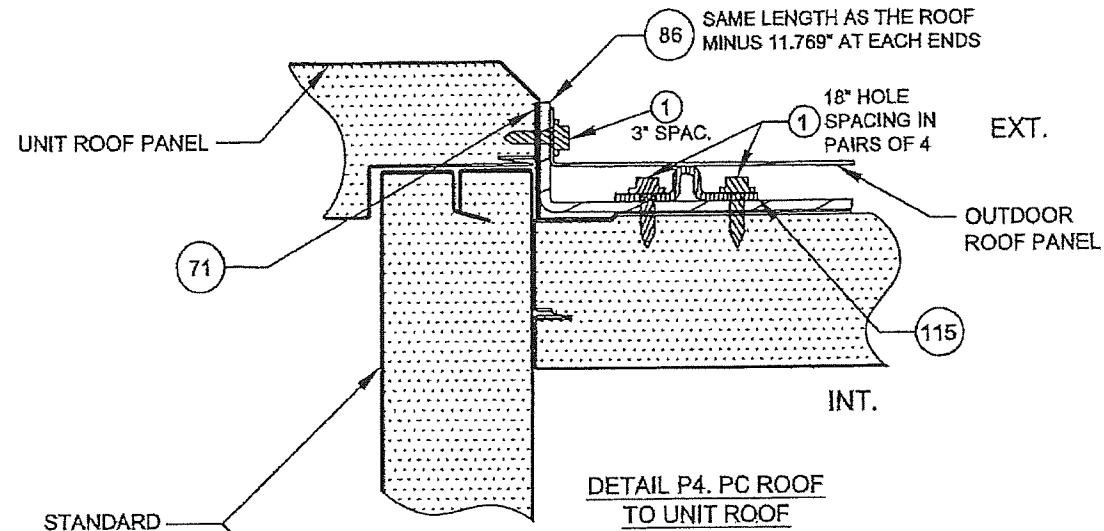
Approved as complying with the  
Florida Building Code  
Date 11/21/2013  
NOA# 12-0629.02  
Miami Dade Product Control  
By *Healy A. Miller*

*Scott Walters*  
SCOTT WALTERS  
FL PE# 62354  
WALTERS ENGINEERING, INC.  
(COA# 27194)  
5358 SW 32ND TERRACE  
FT. LAUDERDALE, FL 33312  
NOV 06 2013

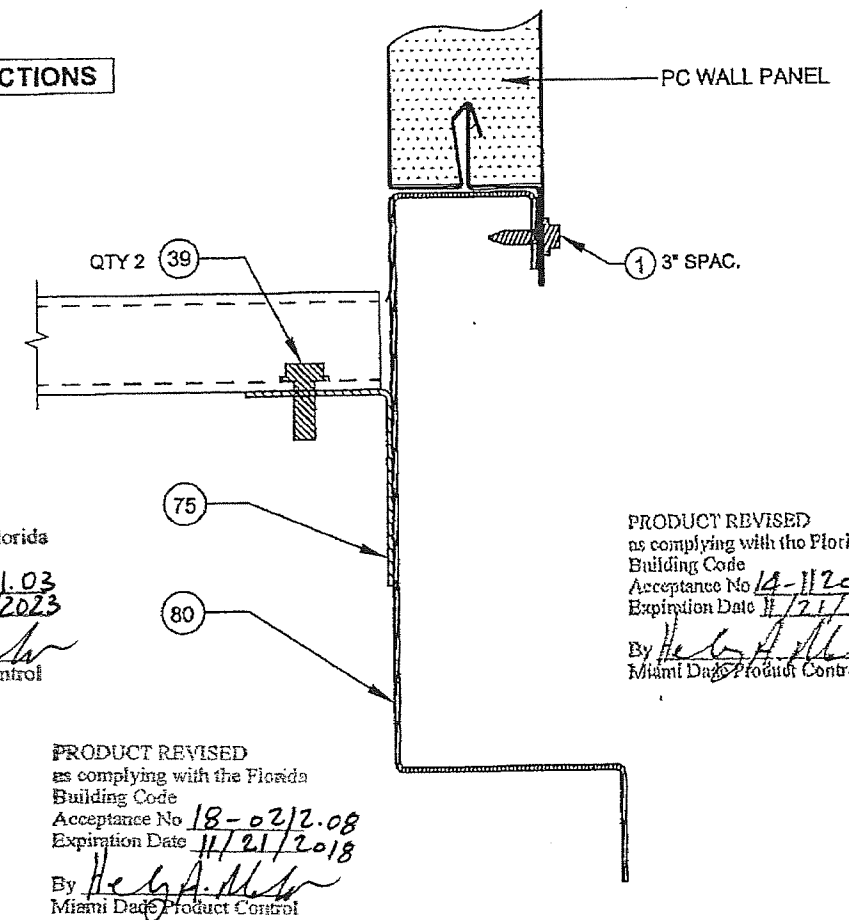
DRAWING #	AIRS0672	DESC.	TRANE PERFORMANCE CLIMATE CHANGER AIR HANDLER - SIZE 50 STACKED UNIT	TRANE US Inc.	REV. HISTORY	---	BY:	K.YUVARAJA	REV.	A
SHEET	28 OF 47	SECTION			MOCK UP/DWG SHEET REF:	3, 7 OF 19	SCALE:	NTS	DATE	06-SEP-2013



### PIPE CABINET DETAILS



### PC HORIZONTAL SECTIONS



PRODUCT RENEWED  
as complying with the Florida  
Building Code  
Acceptance No 18-124.03  
Expiration Date 11/21/2023  
By *Healy A. Miller*  
Miami Dade Product Control

PRODUCT REVISED  
as complying with the Florida  
Building Code  
Acceptance No 18-0212.08  
Expiration Date 11/21/2018  
By *Healy A. Miller*  
Miami Dade Product Control

PRODUCT REVISED  
as complying with the Florida  
Building Code  
Acceptance No 18-1120.13  
Expiration Date 11/21/2018  
By *Healy A. Miller*  
Miami Dade Product Control

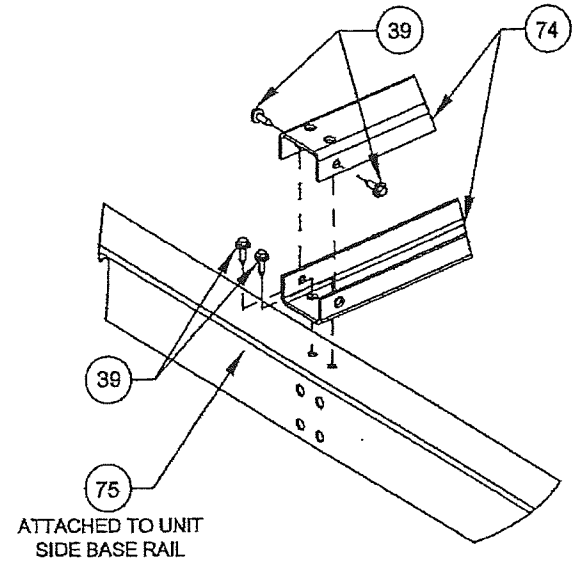
PRODUCT REVISED  
as complying with the Florida  
Building Code 19-1209.09  
Acceptance No  
Expiration Date NOV 21 2023  
By *Healy A. Miller*  
Miami Dade Product Control

Approved as complying with the  
Florida Building Code  
Date 11/21/2013  
NOA# 17-0629.02  
Miami Dade Product Control  
By *Healy A. Miller*

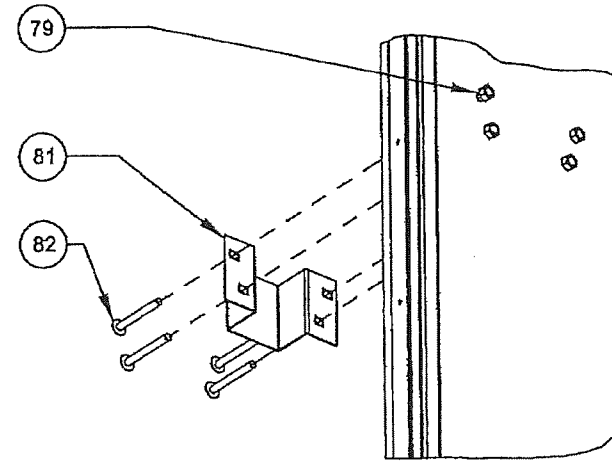
*Scott Wolters*  
SCOTT WOLTERS  
FL PE# 62354  
WOLTERS ENGINEERING, INC.  
(COA# 27194)  
5358 SW 32ND TERRACE  
FT. LAUDERDALE, FL 33312  
NOV 06 2013

DRAWING #	AIRS0672	DESC.	TRANE PERFORMANCE CLIMATE CHANGER AIR HANDLER - SIZE 50 STACKED UNIT	TRANE US Inc.	REV. HISTORY	BY: K.YUVARAJA	REV. A
SHEET	29 OF 47	SECTION			MOCK UP/DWG SHEET REF: 4, 11-13 OF 19	SCALE: NTS	DATE 06-SEP-2013

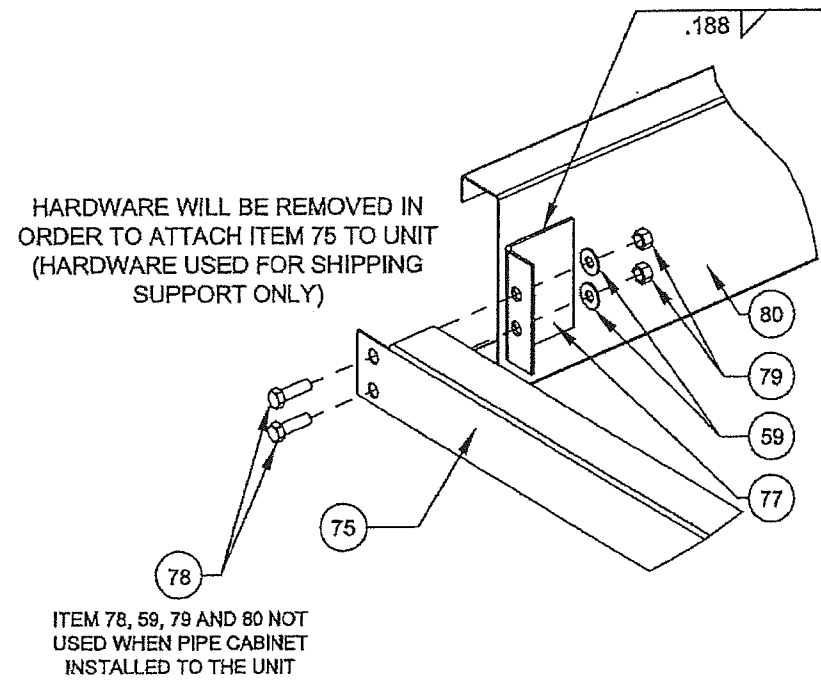
**PIPE CABINET DETAILS**



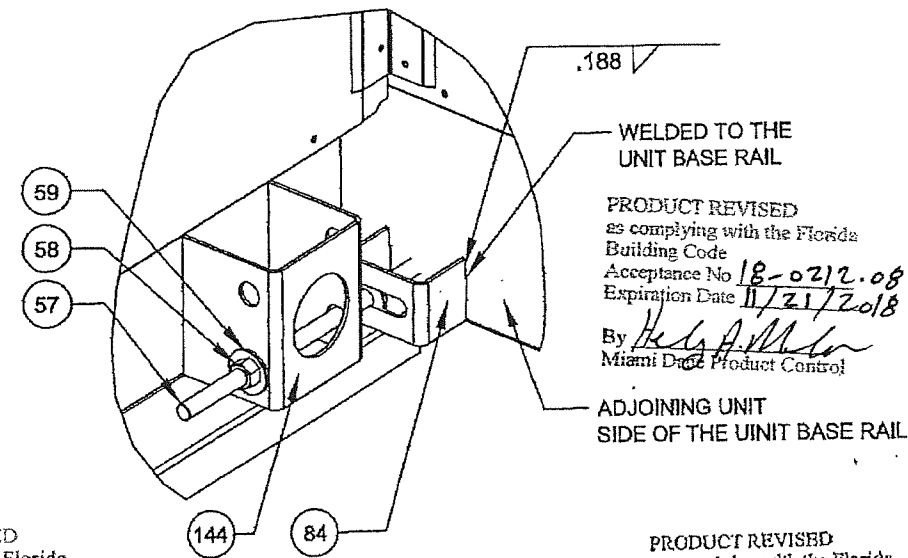
**DETAIL P8. MULLION ASSEMBLY ATTACHMENT**



**DETAIL P10. CHAIN GUIDE/GUARD ATTACHMENT**



**DETAIL P9. SHIPPING CORNER**



**DETAIL P11. LUG CONNECTION**

PRODUCT REVISED  
as complying with the Florida  
Building Code  
Acceptance No **19-1205**  
Expiration Date **NOV 21 2023**  
By *Heidi A. Miller*  
Miami Dade Product Control

Approved as complying with the  
Florida Building Code  
Date **11/21/2013**  
NOA# **12-0679-02**  
Miami Dade Product Control  
By *Heidi A. Miller*

PRODUCT RENEWED  
as complying with the Florida  
Building Code  
Acceptance No **18-1211.03**  
Expiration Date **11/21/2023**  
By *Heidi A. Miller*  
Miami Dade Product Control

PRODUCT REVISED  
as complying with the Florida  
Building Code  
Acceptance No **14-1120.13**  
Expiration Date **11/21/2018**  
By *Heidi A. Miller*  
Miami Dade Product Control

*Scott Walters*  
**SCOTT WALTERS**  
FL PE# 62354  
**WALTERS ENGINEERING, INC.**  
(COA# 27194)  
5358 SW 32ND TERRACE  
FT. LAUDERDALE, FL 33312  
NOV 06 2013

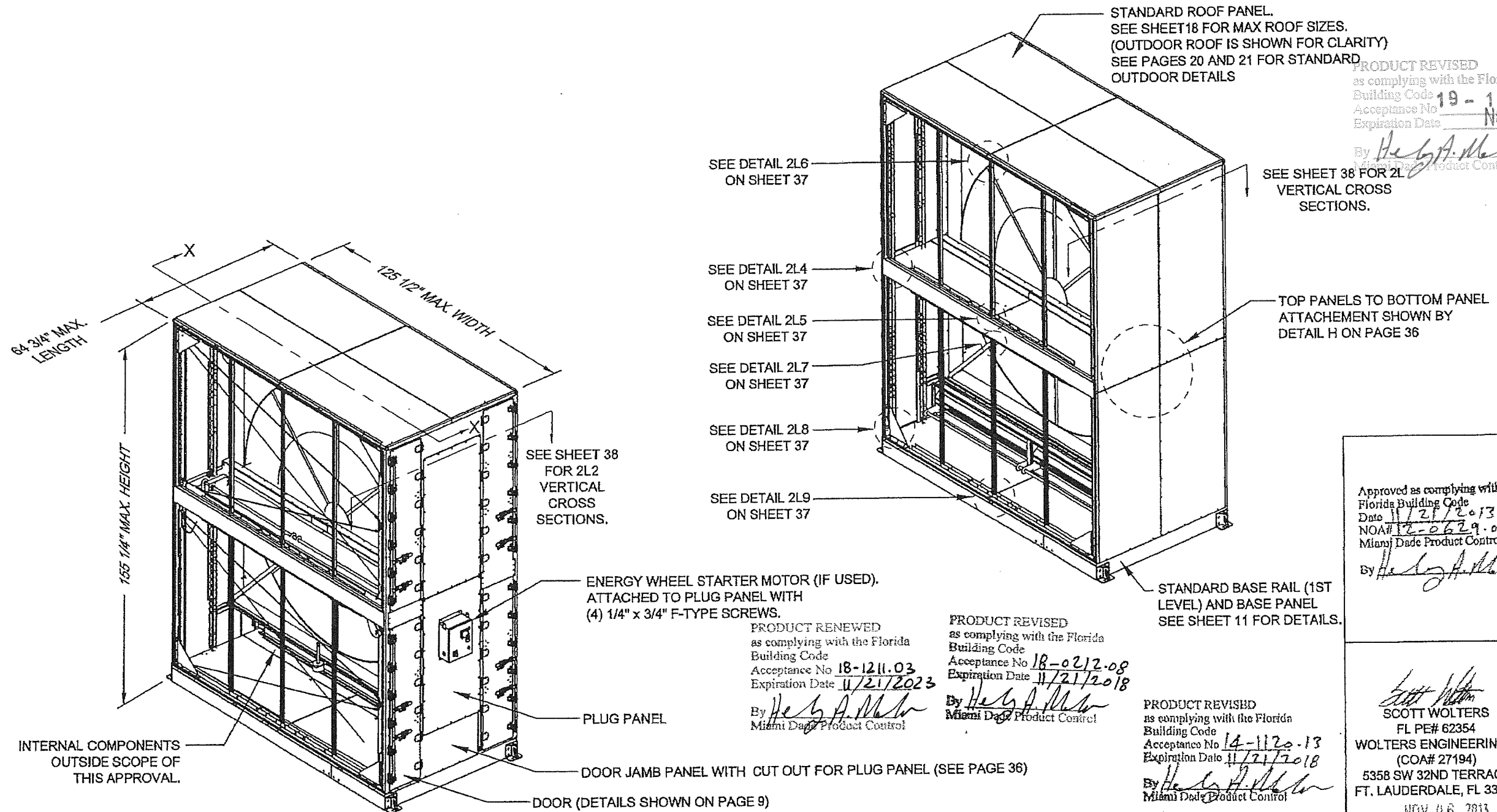
DRAWING # <b>AIRS0672</b>		DESC. <b>TRANE PERFORMANCE CLIMATE CHANGER AIR HANDLER - SIZE 50 STACKED UNIT</b>	<b>TRANE</b> US Inc.	REV. HISTORY ---	BY: <b>K.YUVARAJA</b>	REV. <b>A</b>
SHEET <b>30 OF 47</b>	SECTION			MOCK UP/DWG SHEET REF: <b>3, 6 OF 19</b>	SCALE: <b>NTS</b>	DATE <b>06-SEP-2013</b>



# ENERGY WHEEL SECTION

**NOTES:**

1. THIS ENERGY WHEEL SECTION IS COMMONLY REFERENCED AS 2-LEVEL SECTION, THUS THE INTERNAL COMPONENTS ARE NOT LIMITED TO ENERGY WHEEL APPLICATION PROVIDED THAT EXTERNAL STRUCTURE IS AS INDICATED HERE.



STANDARD ROOF PANEL.  
SEE SHEET 18 FOR MAX ROOF SIZES.  
(OUTDOOR ROOF IS SHOWN FOR CLARITY)  
SEE PAGES 20 AND 21 FOR STANDARD  
OUTDOOR DETAILS

PRODUCT REVISED  
as complying with the Florida  
Building Code 19-1205-09  
Acceptance No  
Expiration Date NOV 21 2023

By *Heidi A. Mohr*  
Miami Dade Product Control

SEE DETAIL 2L6  
ON SHEET 37

SEE SHEET 38 FOR 2L  
VERTICAL CROSS  
SECTIONS.

SEE DETAIL 2L4  
ON SHEET 37

SEE DETAIL 2L5  
ON SHEET 37

TOP PANELS TO BOTTOM PANEL  
ATTACHEMENT SHOWN BY  
DETAIL H ON PAGE 36

SEE DETAIL 2L7  
ON SHEET 37

SEE DETAIL 2L8  
ON SHEET 37

SEE DETAIL 2L9  
ON SHEET 37

STANDARD BASE RAIL (1ST  
LEVEL) AND BASE PANEL  
SEE SHEET 11 FOR DETAILS.

SEE SHEET 38  
FOR 2L2  
VERTICAL  
CROSS  
SECTIONS.

ENERGY WHEEL STARTER MOTOR (IF USED).  
ATTACHED TO PLUG PANEL WITH  
(4) 1/4" x 3/4" F-TYPE SCREWS.

PRODUCT RENEWED  
as complying with the Florida  
Building Code  
Acceptance No 18-1211-03  
Expiration Date 11/21/2023

By *Heidi A. Mohr*  
Miami Dade Product Control

PRODUCT REVISED  
as complying with the Florida  
Building Code  
Acceptance No 18-0212-08  
Expiration Date 11/21/2018

By *Heidi A. Mohr*  
Miami Dade Product Control

PRODUCT REVISED  
as complying with the Florida  
Building Code  
Acceptance No 14-1120-13  
Expiration Date 11/21/2018

By *Heidi A. Mohr*  
Miami Dade Product Control

Approved as complying with the  
Florida Building Code  
Date 11/21/2013  
NOA# 12-0629-02  
Miami Dade Product Control

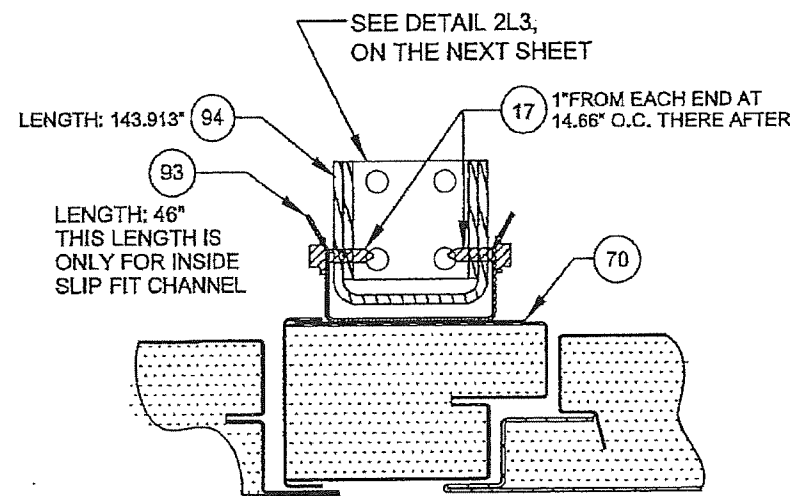
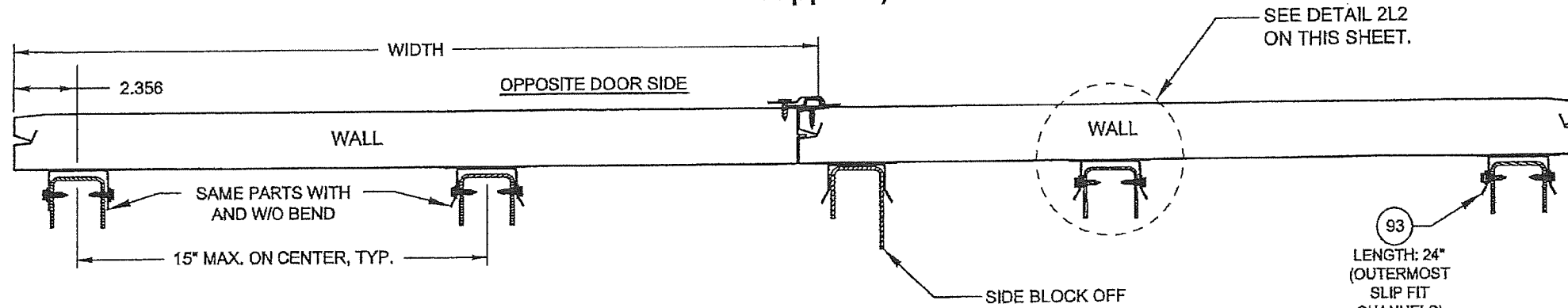
By *Heidi A. Mohr*

*Scott Wolters*  
SCOTT WOLTERS  
FL PE# 62354  
WOLTERS ENGINEERING, INC.  
(COA# 27194)  
5358 SW 32ND TERRACE  
FT. LAUDERDALE, FL 33312  
NOV 06 2013

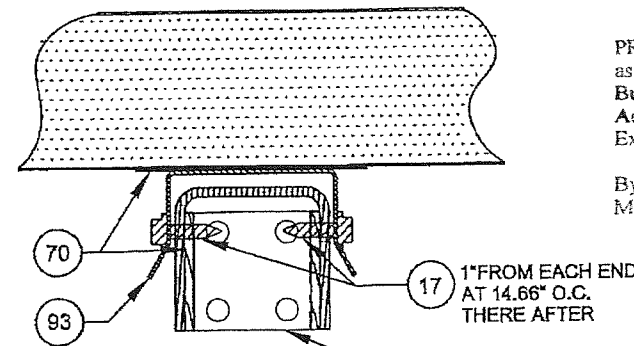
DRAWING #	AIRS0672	DESC.	TRANE PERFORMANCE CLIMATE CHANGER AIR HANDLER - SIZE 50 STACKED UNIT	<b>TRANE</b> US Inc.	REV. HISTORY	---	BY:	K.YUVARAJA	REV.	A
SHEET	SECTION				MOCK UP/DWG SHEET REF:	3 OF 35	SCALE:	NTS	DATE	06-SEP-2013
32 OF 47										

## ENERGY WHEEL SIDE WALL DETAILS (Vertical cross sections with internal supports)

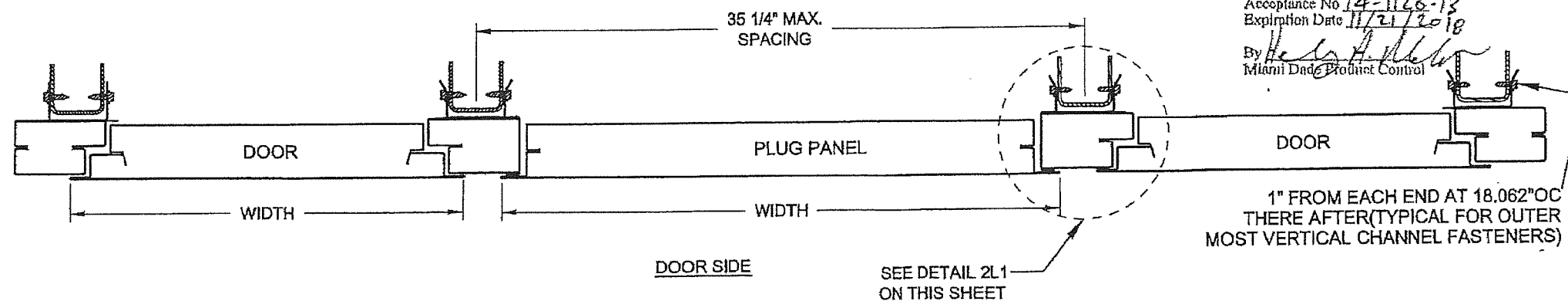
NOTES:  
1. HERE WE ARE SHOWING VERTICAL CROSS SECTIONS (TOP VIEW) TO SHOW THE PANEL IN WIDTH AND VERTICAL CHANNEL ATTACHMENT TO SLIP FIT CHANNEL AND TO SIDE WALL.



DETAIL 2L1



DETAIL 2L2



PRODUCT REVISED  
as complying with the Florida  
Building Code  
Acceptance No 14-1126-13  
Expiration Date 11/21/2018  
By *Healy A. Miller*  
Miami Dade Product Control

1" FROM EACH END AT 18.062" O.C  
THERE AFTER (TYPICAL FOR OUTER  
MOST VERTICAL CHANNEL FASTENERS)

PRODUCT REVISED  
as complying with the Florida  
Building Code  
Acceptance No 19-1205-09  
Expiration Date NOV 21 2023  
By *Healy A. Miller*  
Miami Dade Product Control

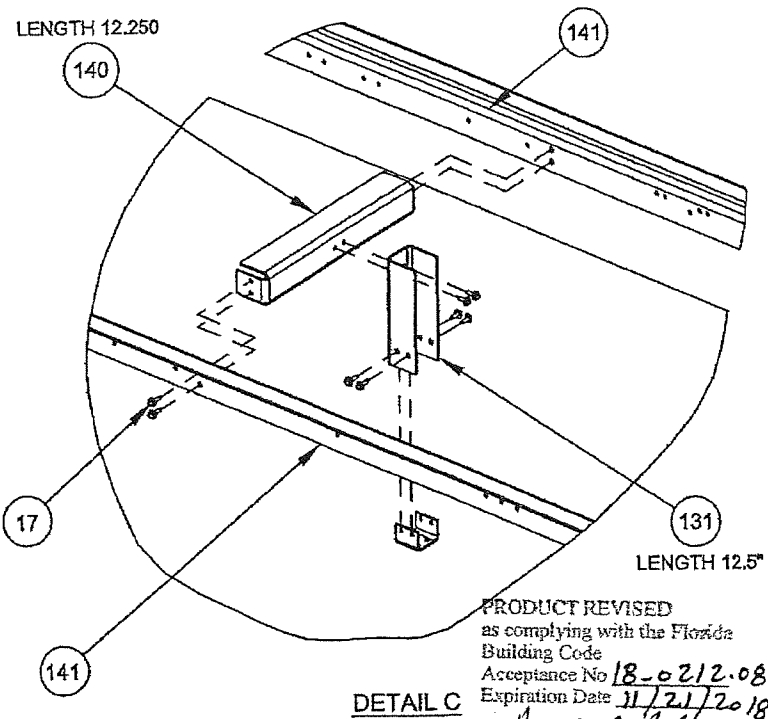
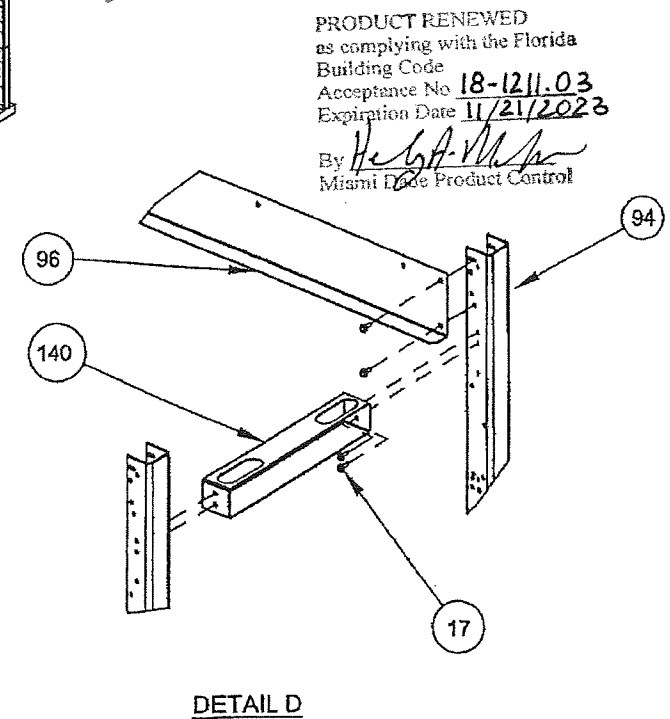
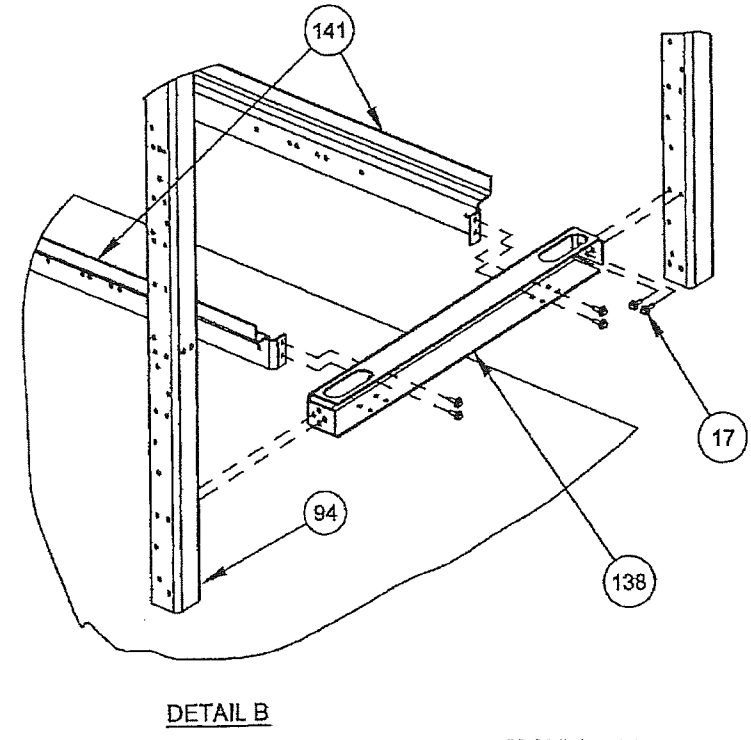
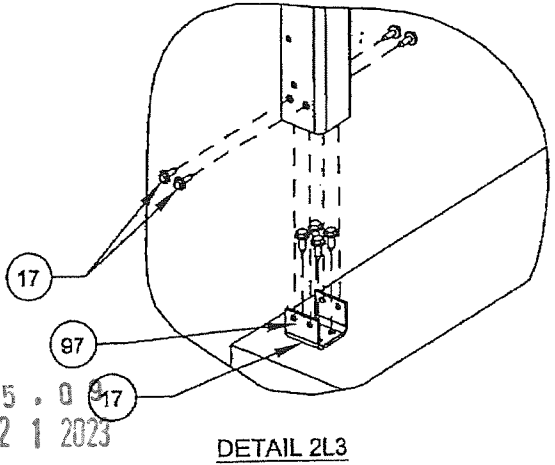
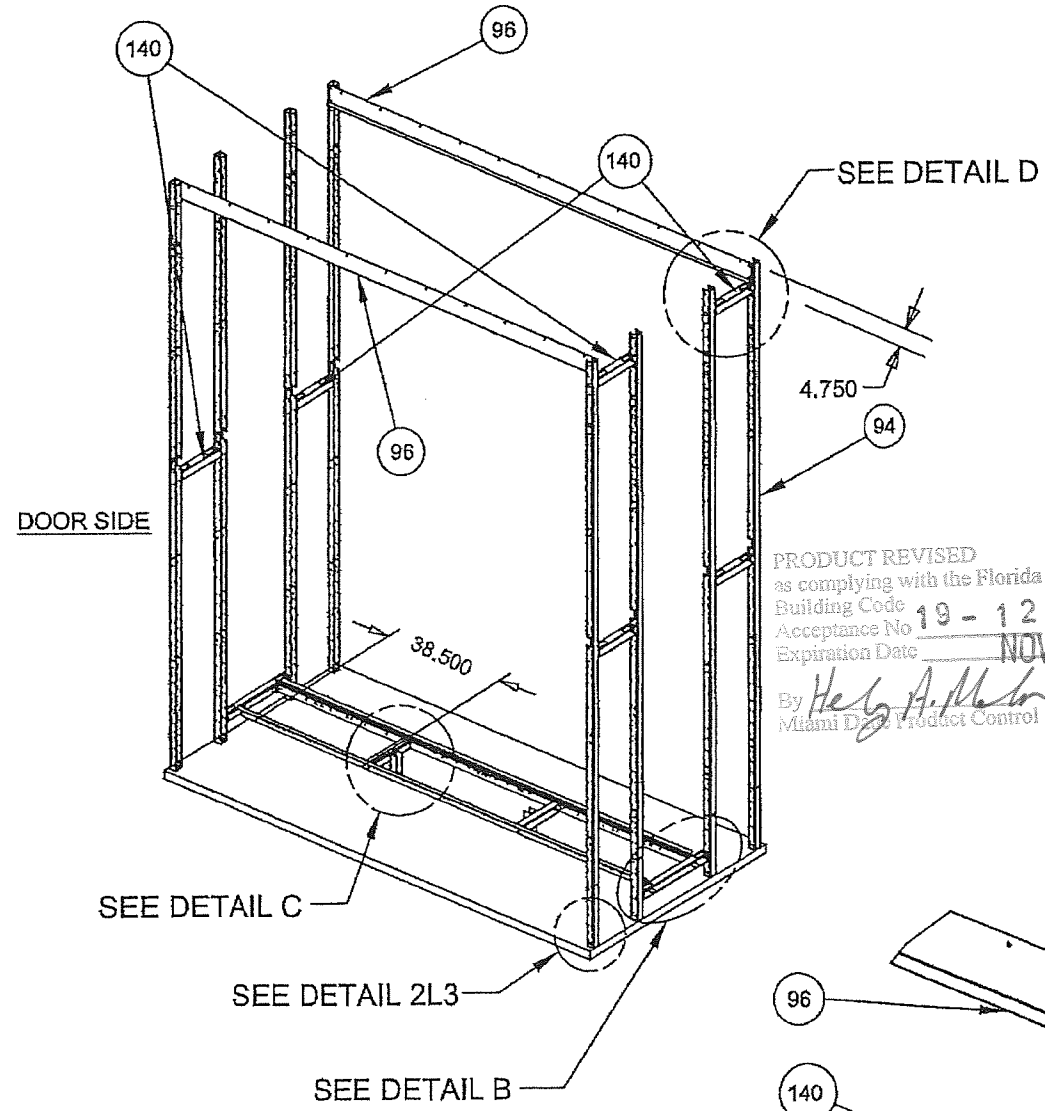
PRODUCT REVISED  
as complying with the Florida  
Building Code  
Acceptance No 18-0212-08  
Expiration Date 11/21/2018  
By *Healy A. Miller*  
Miami Dade Product Control

Approved as complying with the  
Florida Building Code  
Date 11/21/2013  
NOA# 17-0679-02  
Miami Dade Product Control  
By *Healy A. Miller*

*Scott Wolters*  
SCOTT WOLTERS  
FL PE# 62354  
WOLTERS ENGINEERING, INC.  
(COA# 27194)  
5358 SW 32ND TERRACE  
FT. LAUDERDALE, FL 33312  
NOV 06 2013

DRAWING #	AIRS0672	DESC.	TRANE PERFORMANCE CLIMATE CHANGER AIR HANDLER - SIZE 50 STACKED UNIT	<b>TRANE</b> US Inc.	REV. HISTORY	BY:	REV.
SHEET	SECTION				---	K.YUVARAJA	A
33 OF 47					MOCK UP/DWG SHEET REF:	SCALE:	DATE
					6, 7, 17 OF 35	NTS	06-SEP-2013

# ENERGY WHEEL INTERNAL STRUCTURE CONSTRUCTION.



PRODUCT REVISED  
as complying with the Florida  
Building Code  
Acceptance No 19-1205.0  
Expiration Date NOV 21 2023  
By *Heidi A. Miller*  
Miami Dade Product Control

PRODUCT RENEWED  
as complying with the Florida  
Building Code  
Acceptance No 18-1211.03  
Expiration Date 11/21/2023  
By *Heidi A. Miller*  
Miami Dade Product Control

PRODUCT REVISED  
as complying with the Florida  
Building Code  
Acceptance No 14-1120-13  
Expiration Date 11/21/2018  
By *Heidi A. Miller*  
Miami Dade Product Control

Approved as complying with the  
Florida Building Code  
Date 11/21/2013  
NOA# 13-0629.02  
Miami Dade Product Control  
By *Heidi A. Miller*

*Scott Wolters*  
SCOTT WOLTERS  
FL PE# 62354  
WOLTERS ENGINEERING, INC.  
(COA# 27194)  
5358 SW 32ND TERRACE  
FT. LAUDERDALE, FL 33312  
NOV 06 2013

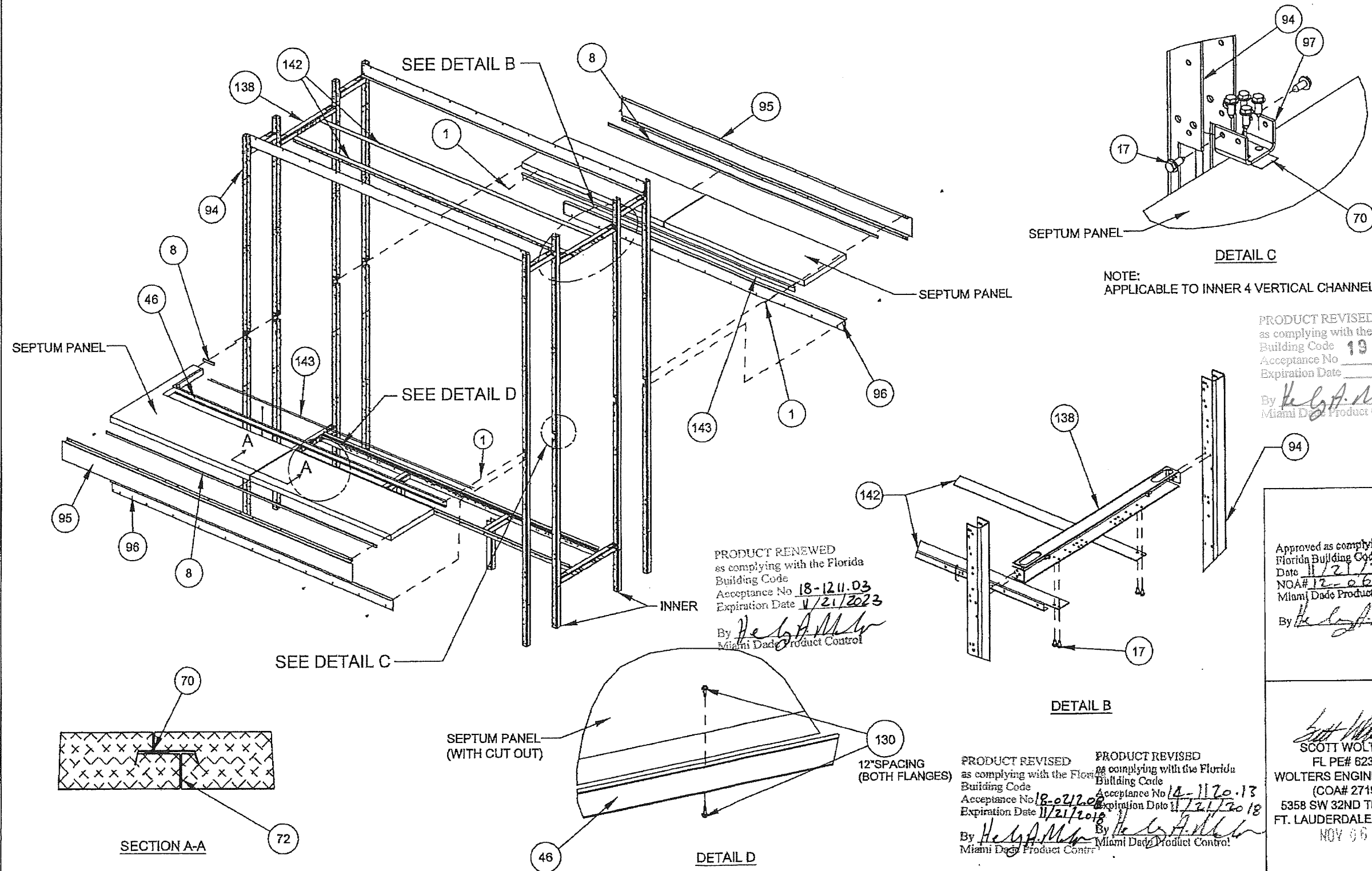
PRODUCT REVISED  
as complying with the Florida  
Building Code  
Acceptance No 18-0212.08  
Expiration Date 11/21/2018  
By *Heidi A. Miller*  
Miami Dade Product Control

NOTES:  
1. ALL OF THESE STRUCTURES ATTACHED WITH ITEM 17.

DRAWING #	AIRS0672	DESC.	TRANE PERFORMANCE CLIMATE CHANGER AIR HANDLER - SIZE 50 STACKED UNIT	<b>TRANE</b> US Inc.	REV. HISTORY	BY:	REV.
SHEET	SECTION				MOCK UP/DWG SHEET REF:	K.YUVARAJA	A
34 OF 47					7 OF 35	SCALE:	DATE
						NTS	06-SEP-2013

**ENERGY WHEEL SEPTUM INSTALLATION  
(PARTS ARE EXPLODED FOR CLARITY)**

- NOTES:  
 1. ALL OF THESE STRUCTURES ATTACHED WITH ITEM 17.  
 2. 2-L SECTION HAS ROOF PANELS AND BASE PANELS, AND INBETWEEN THERE ARE FOAMED PANELS DIVIDES THE AIR FLOW, WHICH ARE CALLED SEPTUM PANELS.



PRODUCT REVISED  
 as complying with the Florida  
 Building Code 19-1205.09  
 Acceptance No. \_\_\_\_\_  
 Expiration Date NOV 21 2023  
 By *Herby A. Miller*  
 Miami Dade Product Control

PRODUCT RENEWED  
 as complying with the Florida  
 Building Code  
 Acceptance No. 18-1211.03  
 Expiration Date 11/21/2023  
 By *Herby A. Miller*  
 Miami Dade Product Control

Approved as complying with the  
 Florida Building Code  
 Date 11/21/2013  
 NOA# 12-0629.02  
 Miami Dade Product Control  
 By *Herby A. Miller*

*Scott Wolters*  
 SCOTT WOLTERS  
 FL PE# 62354  
 WOLTERS ENGINEERING, INC.  
 (COA# 27194)  
 5358 SW 32ND TERRACE  
 FT. LAUDERDALE, FL 33312  
 NOV 06 2013

PRODUCT REVISED  
 as complying with the Florida  
 Building Code  
 Acceptance No. 18-0212.02  
 Expiration Date 11/21/2018  
 By *Herby A. Miller*  
 Miami Dade Product Control

PRODUCT REVISED  
 as complying with the Florida  
 Building Code  
 Acceptance No. 14-1120.13  
 Expiration Date 11/21/2018  
 By *Herby A. Miller*  
 Miami Dade Product Control

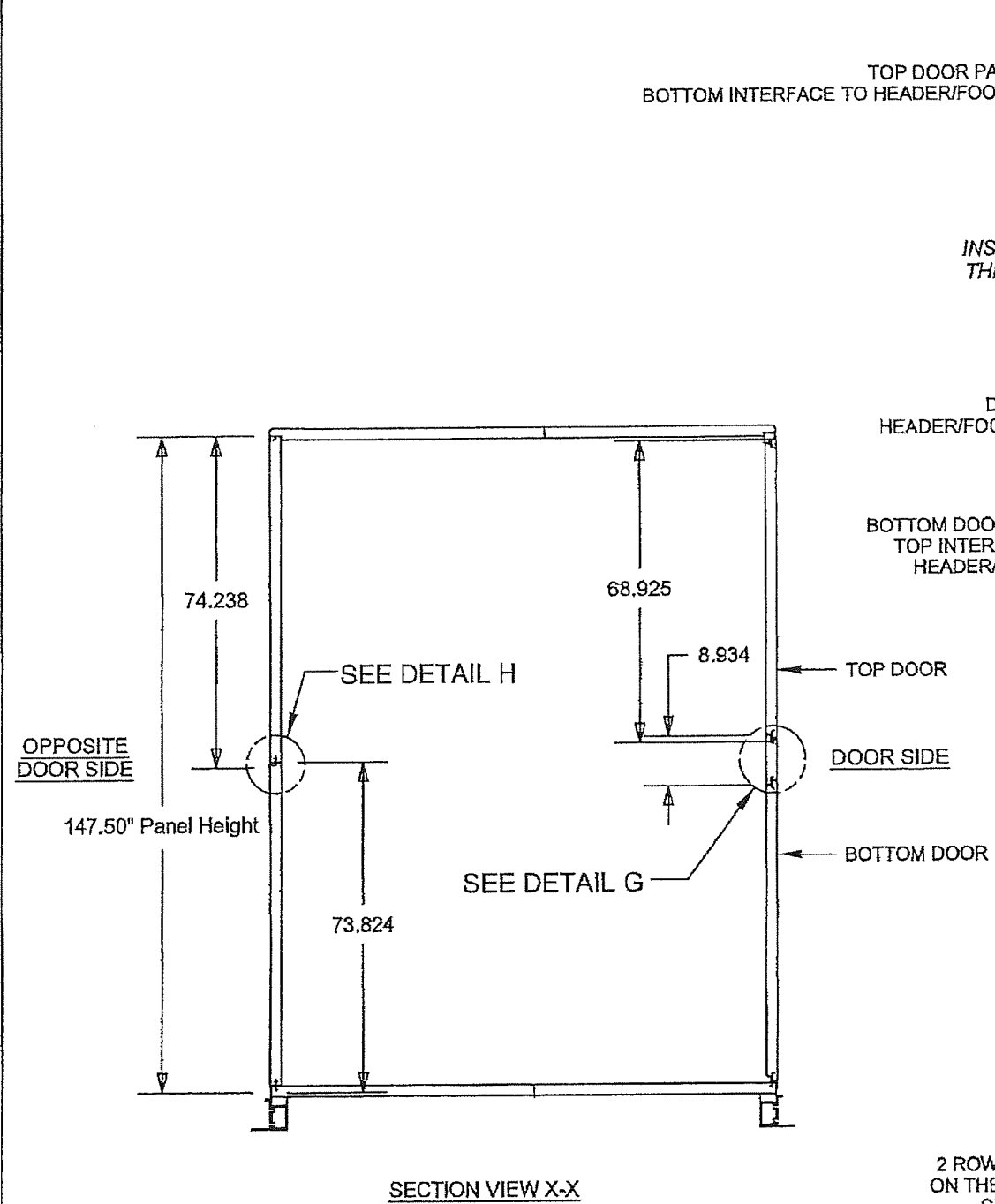
DRAWING # <b>AIRS0672</b>		DESC. <b>TRANE PERFORMANCE CLIMATE CHANGER AIR HANDLER - SIZE 50 STACKED UNIT</b>	<b>TRANE</b> US Inc.	REV. HISTORY	BY: <b>K.YUVARAJA</b>	REV. <b>A</b>
SHEET 35 OF 47	SECTION			MOCK UP/DWG SHEET REF: 9 OF 35	SCALE: <b>NTS</b>	DATE <b>06-SEP-2013</b>



### ENERGY WHEEL CROSS SECTION X-X

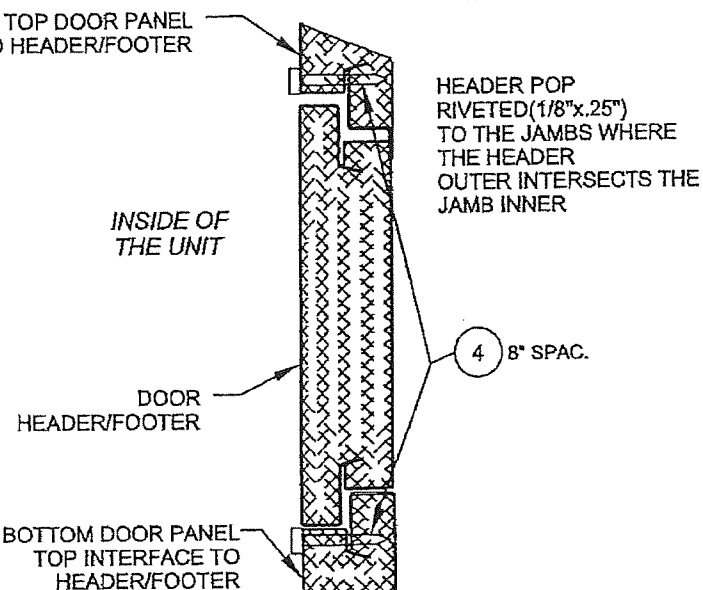
FROM PAGE 32

(Foam Panel only- Corner Cross Sections are the same as typical base and foamed roof corners of 1st level AHU. See page 5)

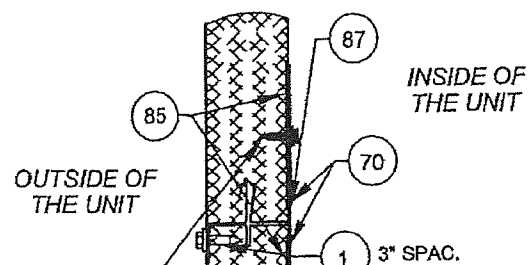


SECTION VIEW X-X

OUTSIDE OF THE UNIT



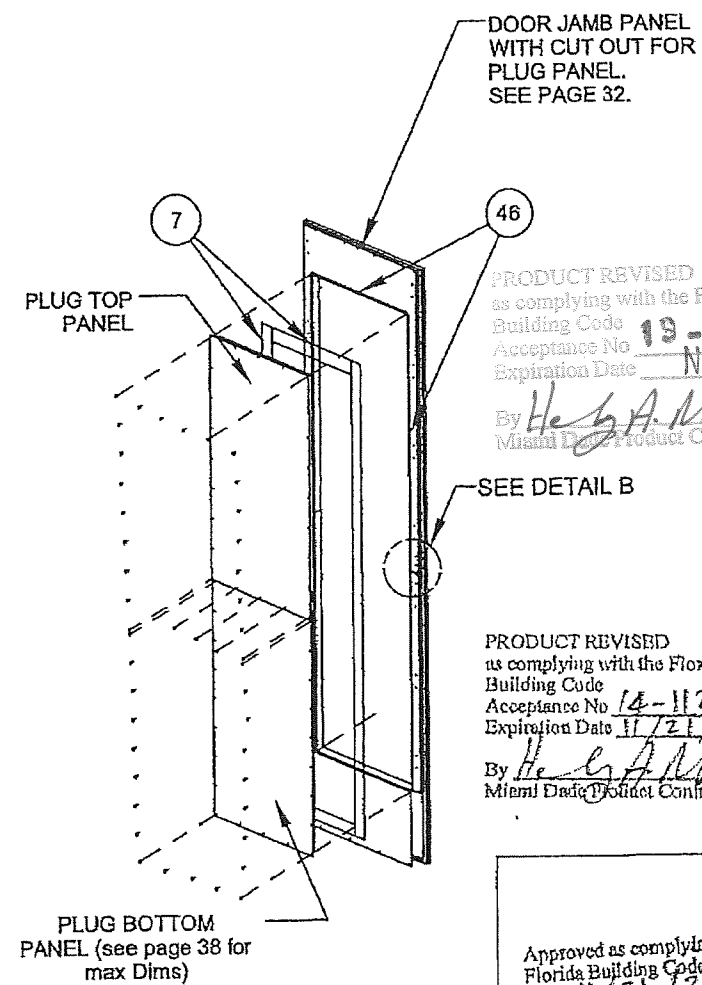
DETAIL G PRODUCT RENEWED as complying with the Florida Building Code Acceptance No 18-1211.03 Expiration Date 11/21/2023 By *Healy A. McInerney* Miami Dade Product Control



DETAIL H PRODUCT REVISED as complying with the Florida Building Code Acceptance No 18-0212.08 Expiration Date 11/21/2018 By *Healy A. McInerney* Miami Dade Product Control

### ENERGY WHEEL PLUG PANEL INSTALL

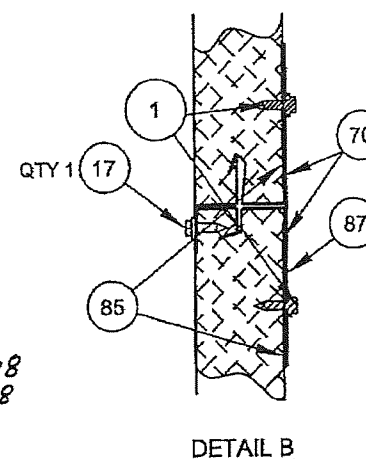
SEE PAGE 32 DOOR SIDE



PRODUCT REVISED as complying with the Florida Building Code Acceptance No 19-1205.09 Expiration Date NOV 21 2023 By *Healy A. McInerney* Miami Dade Product Control

PRODUCT REVISED as complying with the Florida Building Code Acceptance No 14-1120.13 Expiration Date 11/21/2018 By *Healy A. McInerney* Miami Dade Product Control

Approved as complying with the Florida Building Code Date 11/21/2013 NOA# 12-0629.02 Miami Dade Product Control By *Healy A. McInerney*



DETAIL B

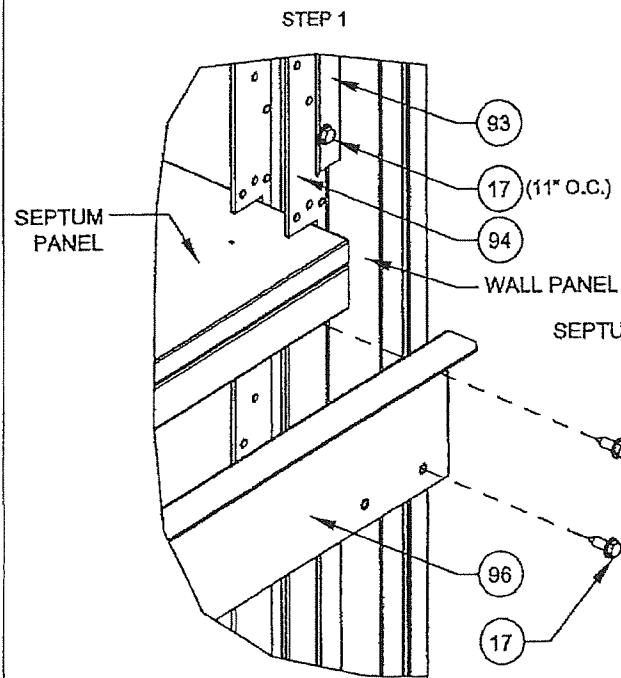
*Scott Wolters*  
SCOTT WOLTERS  
FL PE# 62354  
WOLTERS ENGINEERING, INC.  
(COA# 27194)  
5358 SW 32ND TERRACE  
FT. LAUDERDALE, FL 33312  
NOV 06 2013

DRAWING # <b>AIRS0672</b>		DESC. <b>TRANE PERFORMANCE CLIMATE CHANGER AIR HANDLER - SIZE 50 STACKED UNIT</b>	<b>TRANE</b> US Inc.	REV. HISTORY	BY: <b>K.YUVARAJA</b>	REV. <b>A</b>
SHEET <b>36 OF 47</b>	SECTION			MOCK UP/DWG SHEET REF: <b>20, 23 OF 35</b>	SCALE: <b>NTS</b>	DATE <b>06-SEP-2013</b>

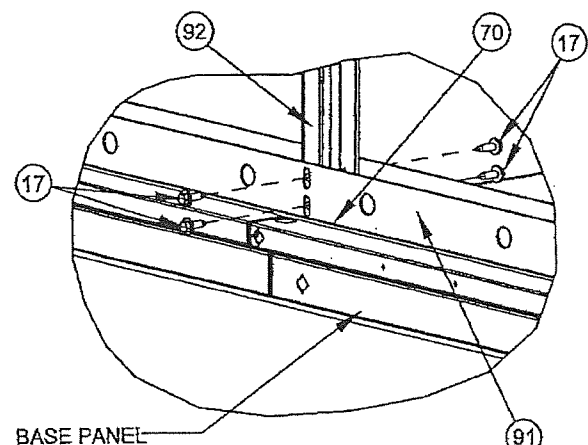
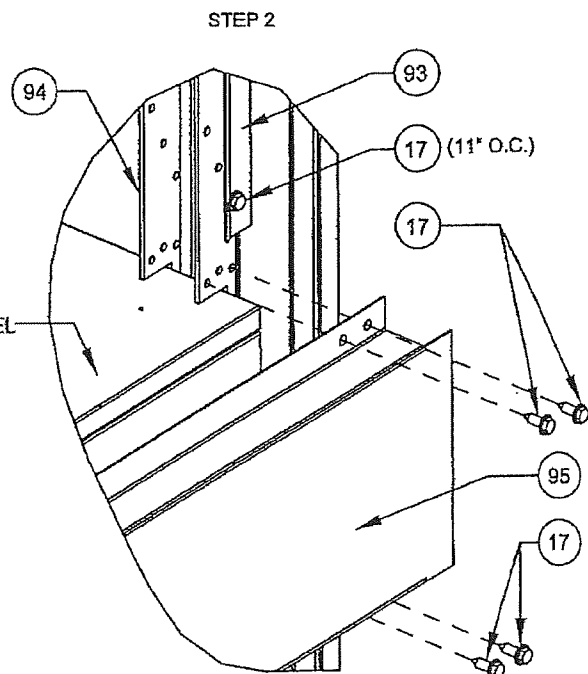


# ENERGY WHEEL SHIPPING SPLIT DETAILS

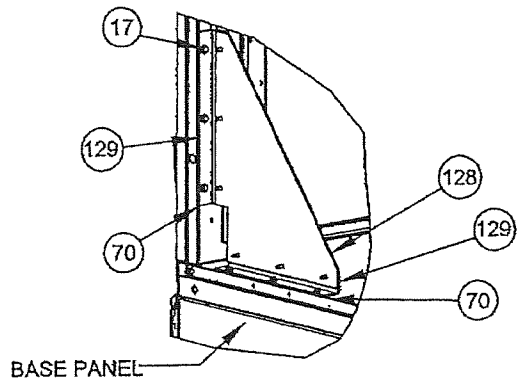
REFER TO PAGE 32



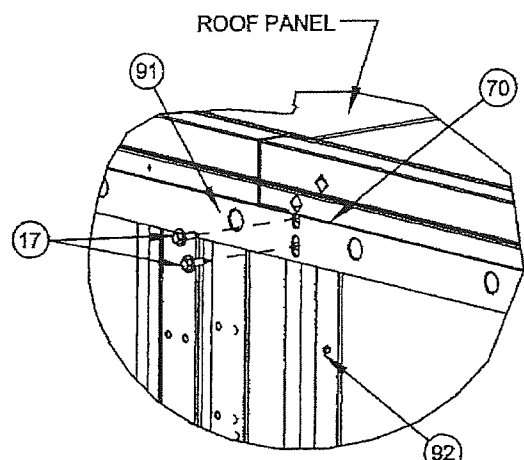
DETAIL 2L4



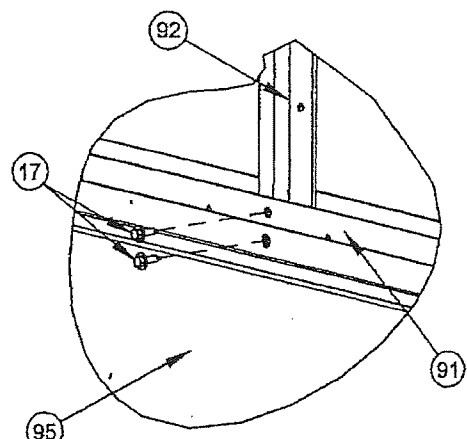
DETAIL 2L9



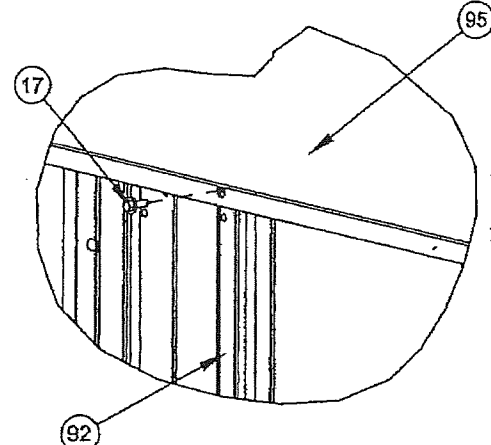
DETAIL 2L8



DETAIL 2L6



DETAIL 2L5



DETAIL 2L7

PRODUCT RENEWED  
as complying with the Florida  
Building Code  
Acceptance No 18-1211.03  
Expiration Date 11/21/2023  
By *Healy A. Miller*  
Miami Data Product Control

PRODUCT REVISED  
as complying with the Florida  
Building Code 19-1205.09  
Acceptance No  
Expiration Date NOV 21 2023  
By *Healy A. Miller*  
Miami Data Product Control

Approved as complying with the  
Florida Building Code  
Date 11/21/2013  
NOA# 13-0629.02  
Miami Data Product Control  
By *Healy A. Miller*

PRODUCT REVISED  
as complying with the Florida  
Building Code  
Acceptance No 18-0212.08  
Expiration Date 11/21/2018  
By *Healy A. Miller*  
Miami Data Product Control

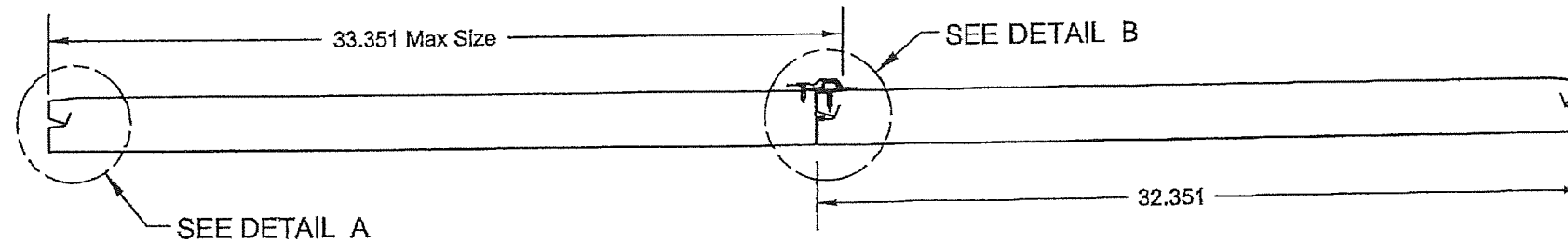
PRODUCT REVISED  
as complying with the Florida  
Building Code  
Acceptance No 14-1120.13  
Expiration Date 11/21/2018  
By *Healy A. Miller*  
Miami Data Product Control

*Scott Wolters*  
SCOTT WOLTERS  
FL PE# 62354  
WOLTERS ENGINEERING, INC.  
(COA# 27194)  
5358 SW 32ND TERRACE  
FT. LAUDERDALE, FL 33312  
NOV 05 2013

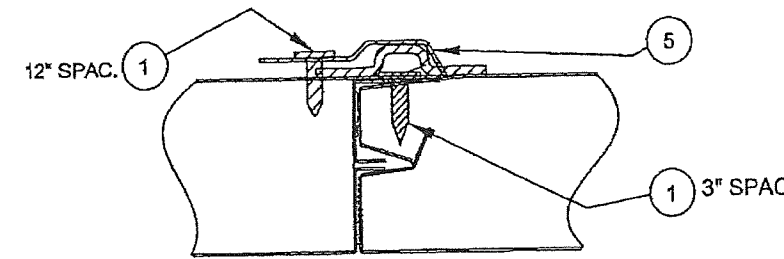
DRAWING #	AIRS0672	DESC.	TRANE PERFORMANCE CLIMATE CHANGER AIR HANDLER - SIZE 50 STACKED UNIT	TRANE US Inc.	REV. HISTORY	BY: K. YUVARAJA	REV. A
SHEET	37 OF 47	SECTION			MOCK UP/DWG SHEET REF: 12, 15 OF 35	SCALE: NTS	DATE 06-SEP-2013

**ENERGY WHEEL SIDE WALL DETAILS  
(Vertical Cross Sections)**

NOTES:  
1. SHOWING TOP VIEW FOR PANEL JOIN AND DIMENSIONS.



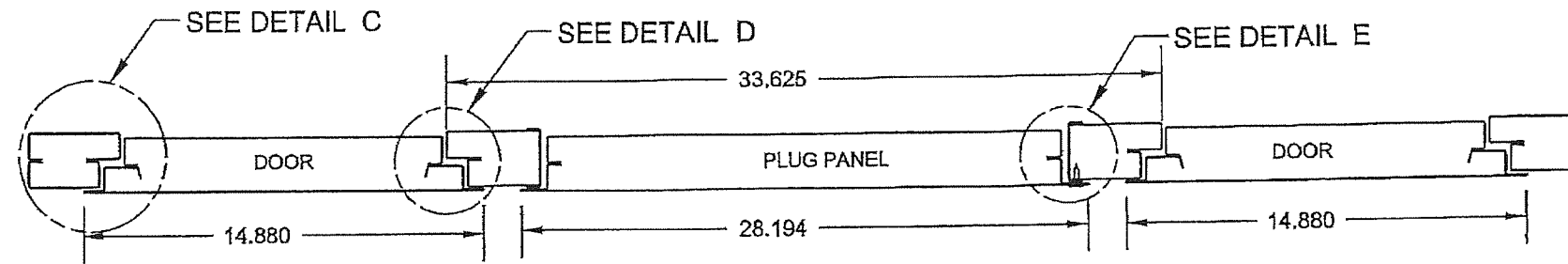
SHIPPING SPLIT WALL PANEL DETAIL A



WALL JOINT TONGUE AND GROOVE DETAIL B

PRODUCT RENEWED  
as complying with the Florida  
Building Code  
Acceptance No 18-1211.03  
Expiration Date 11/27/2023  
By *Healy A. Miller*  
Miami Dade Product Control

**DETIAL 2L**



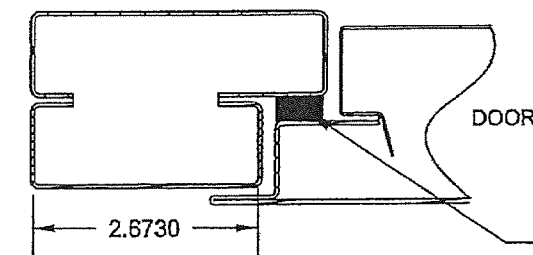
DOOR HEIGHT IS 68.925  
QTY OF 2

PLUG PANEL TOP PORTION (L=56.013)  
PLUG PANEL BOTTOM PORTION (L=59.041)

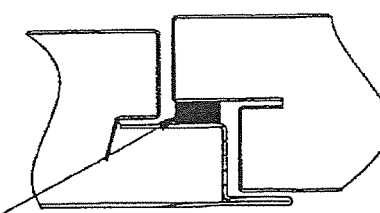
PRODUCT REVISED  
as complying with the Florida  
Building Code  
Acceptance No 18-0212.08  
Expiration Date 11/21/2018  
By *Healy A. Miller*  
Miami Dade Product Control

PRODUCT REVISED  
as complying with the Florida  
Building Code 19-1205.09  
Acceptance No NOV-21-2023  
Expiration Date  
By *Healy A. Miller*  
Miami Dade Product Control

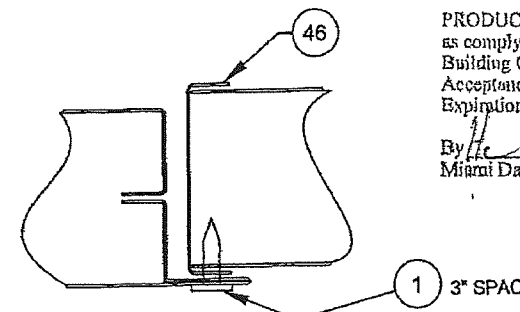
Approved as complying with the  
Florida Building Code  
Date 11/21/2013  
NOA# 12-0629.02  
Miami Dade Product Control  
By *Healy A. Miller*



DETAIL C. NARROW DOOR  
JAMB TO DOOR



DETAIL D. DOOR TO WALL



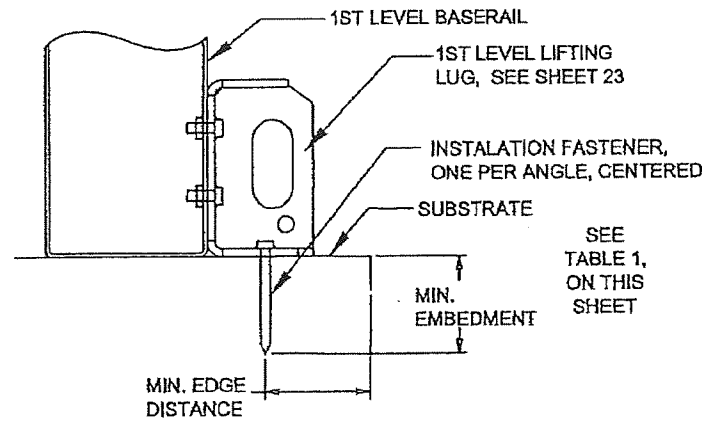
DETAIL E. PLUG  
PANEL TO WALL

PRODUCT REVISED  
as complying with the Florida  
Building Code  
Acceptance No 14-1120.13  
Expiration Date 11/21/2018  
By *Healy A. Miller*  
Miami Dade Product Control

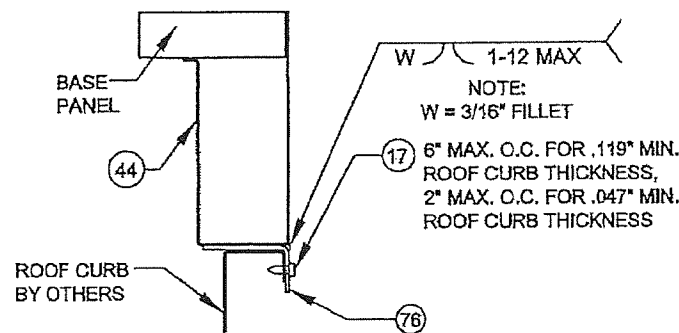
*Scott Wolters*  
SCOTT WOLTERS  
FL PE# 62354  
WOLTERS ENGINEERING, INC.  
(COA# 27194)  
5358 SW 32ND TERRACE  
FT. LAUDERDALE, FL 33312  
NOV 05 2013

DRAWING # <b>AIRS0672</b>	DESC. <b>TRANE PERFORMANCE CLIMATE CHANGER AIR HANDLER - SIZE 50 STACKED UNIT</b>	TRANE US Inc.	REV. HISTORY ---	BY: <b>K.YUVARAJA</b>	REV. <b>A</b>
SHEET <b>38 OF 47</b>	SECTION		MOCK UP DWG SHEET REF: <b>16 OF 35</b>	SCALE: <b>NTS</b>	DATE <b>06-SEP-2013</b>

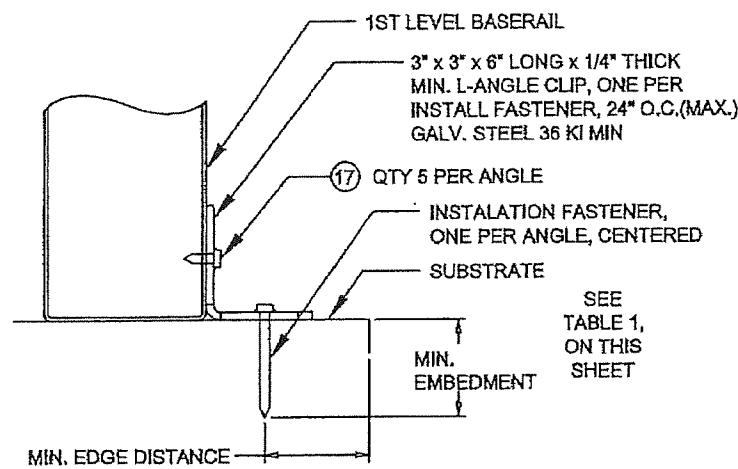
NOTE:  
 1. UNIT MAY BE INSTALLED ONTO CONCRETE (3.2 KSI MIN. COMPRESSIVE STRENGTH) OR 1/4" THICK STEEL (36 KSI MIN YIELD) SUBSTRATES WITH ANCHORS THROUGH LIFTING LUGS AND ANGLE CLIPS ATTACHED TO FIRST LEVEL BASE RAIL AS SHOWN IN THIS SHEET. UNIT MAY ALSO BE INSTALLED ONTO A 36KSI YIELD STEEL CURB BY OTHERS, WITH ITEM 17 SMS AS SHOWN IN DETAIL B. FOR PIPE CABINET ANCHORAGE SEE DETAILS P12 AND P13.



DETAIL A: TYPICAL ANCHORAGE AT LUGS



DETAIL B: TYPICAL INSTALLATION BASE RAIL TO CURB



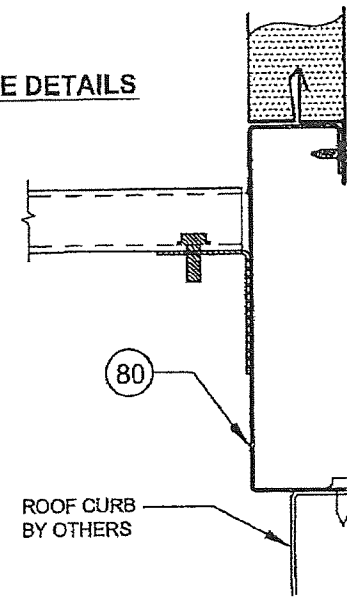
DETAIL C: TYPICAL ANCHORAGE AT ANGLE CLIPS

**STANDARD UNIT AND ENERGY WHEEL SECTIONS ANCHORAGE DETAILS**

TABLE 1. INSTALLATION ANCHOR INFORMATION

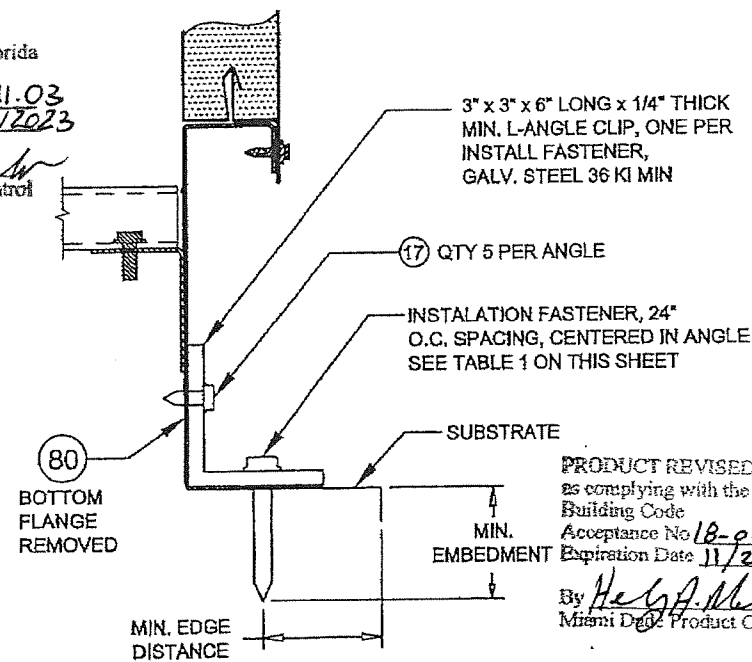
ANCHOR / SUBSTRATE	MIN. EMBED.	MIN. EDGE DIST.
1/2" POWERS CHEM- STUD THREADED ROD INSTALLED WITH CHEM-STUD ADHESIVE CAPSULE IN 3.2 KSI MIN CONCRETE SUBSTRATE	1 1/2"	6"
1/2" HH. F-TYPE THREAD CUTTING SCREW INSTALLED IN 36 KSI MIN STEEL 1/4" THICK MIN. (FULL THREAD ENGAGEMENT)	1/4"	1 1/4"

**PIPE CABINET ANCHORAGE DETAILS**



DETAIL P12: ANCHORAGE TO ROOF CURB

PRODUCT RENEWED as complying with the Florida Building Code Acceptance No. 18-1211.03 Expiration Date 11/21/2023 By *Healy A. Miller* Miami Dade Product Control



DETAIL P13: DIRECT ANCHORAGE TO SUBSTRATE

PRODUCT REVISED as complying with the Florida Building Code Acceptance No. 19-1205 Expiration Date 11/21/2023 By *Healy A. Miller* Miami Dade Product Control

PRODUCT REVISED as complying with the Florida Building Code Acceptance No. 14-1170.13 Expiration Date 11/21/2018 By *Healy A. Miller* Miami Dade Product Control

Approved as complying with the Florida Building Code Date 11/21/2013 NOA# 14-0629.02 Miami Dade Product Control By *Healy A. Miller*

PRODUCT REVISED as complying with the Florida Building Code Acceptance No. 18-0212.08 Expiration Date 11/21/2018 By *Healy A. Miller* Miami Dade Product Control  
 SCOTT WOLTERS  
 FL PE# 62354  
 WOLTERS ENGINEERING, INC.  
 (COA# 27194)  
 5358 SW 32ND TERRACE  
 FT. LAUDERDALE, FL 33312  
 NOV 06 2013

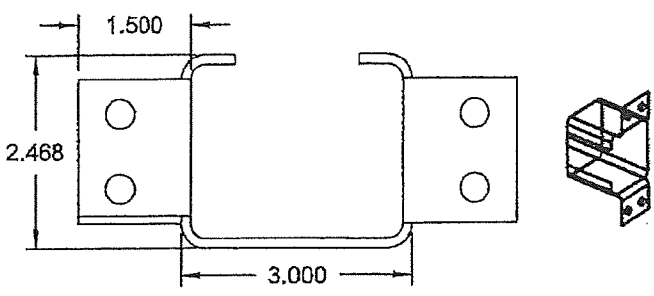
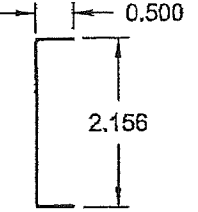
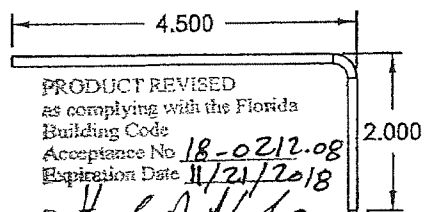
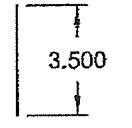
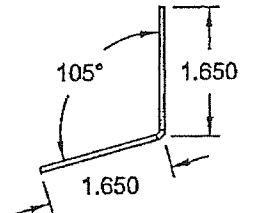
DRAWING #	<b>AIRS0672</b>
SHEET	39 OF 47

DESC. **TRANE PERFORMANCE CLIMATE CHANGER AIR HANDLER - SIZE 50 STACKED UNIT**

**TRANE**  
US Inc.

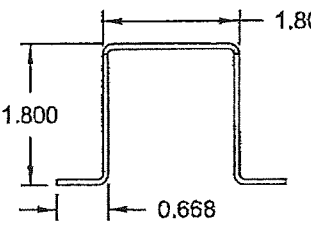
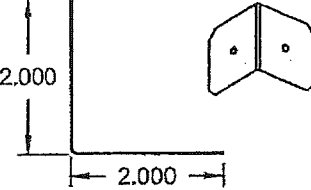
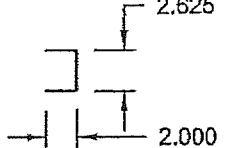
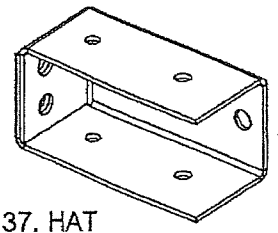
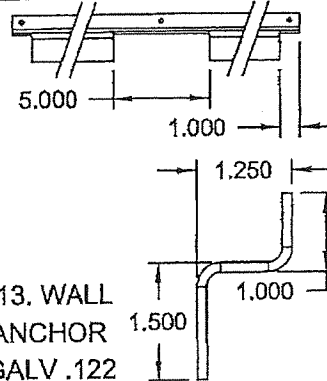
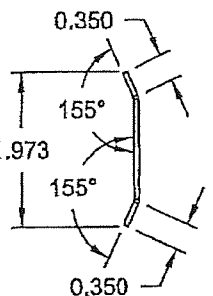
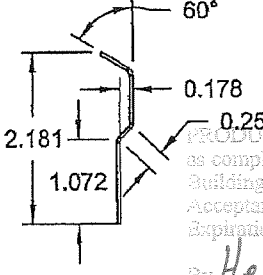
REV. HISTORY	---
MOCK UP/DWG SHEET REF:	25, 26, 29, 35, 36 OF 63

BY:	K.YUVARAJA	REV.	A
SCALE:	NTS	DATE	06-SEP-2013

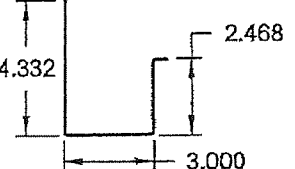
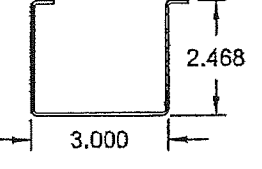
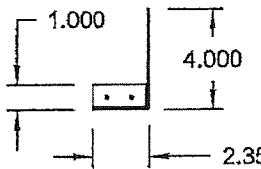
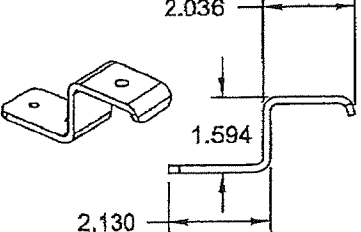
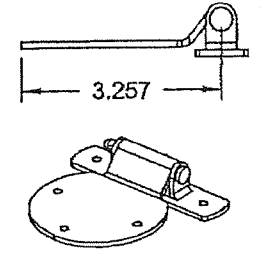
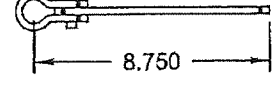
 <p>90. CROSS BEAM (2ND LEVEL) GALV .122</p>	 <p>46. FOAM COVER GALV .027</p>	 <p>110. HOOD L ANGLE GALV .124</p>	 <p>71. BACKING PLATE (ROOF) GALV .046</p>	 <p>111. HOOD SUPPORT TOP CHANNEL GALV .068</p>
--	---	--	---	--

PRODUCT RENEWED  
as complying with the Florida  
Building Code  
Acceptance No 18-1211.03  
Expiration Date 11/21/2023  
By *Healy A. Miller*  
Miami Dade Product Control

PRODUCT REVISED  
as complying with the Florida  
Building Code  
Acceptance No 18-0212-08  
Expiration Date 11/21/2018  
By *Healy A. Miller*  
Miami Dade Product Control

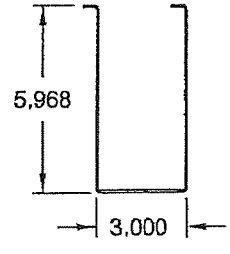
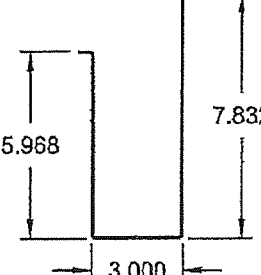
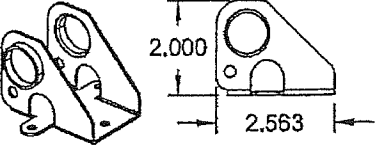
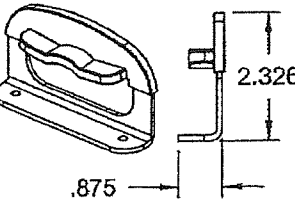
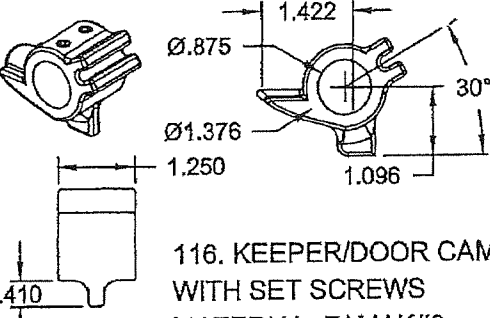
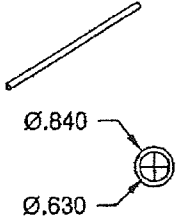
 <p>9. HAT CHANNEL GALV .070</p>	 <p>47. FOAM COVER CORNER GALV .027</p>	 <p>48. MULLION GALV .055</p>	 <p>137. HAT CHANNEL BRACKET 3" X 1.5" X 1.5" STEEL .067</p>	 <p>113. WALL ANCHOR GALV .122</p>	 <p>99/101. SEAM CAP GALV .068</p>	 <p>5. DECORATIVE COVER GALV .044</p>
---	---	--	--	---	---	--

PRODUCT REVISED  
as complying with the Florida  
Building Code  
Acceptance No 19-1205.09  
Expiration Date NOV 21 2023  
By *Healy A. Miller*  
Miami Dade Product Control

 <p>40. 2ND LEVEL BASE RAIL GALV .070</p>	 <p>40. 2ND LEVEL BASE RAIL GALV .070</p>	 <p>103. OVERHANG GALV .068</p>	 <p>35. PADLOCK BRACKET GALV 0.156 MIN</p>	 <p>10. DOOR HINGE GALV 0.110</p>	 <p>32. GANGED OPERATING HANDLE GALV 0.250</p>
--	---	--	---	---	---

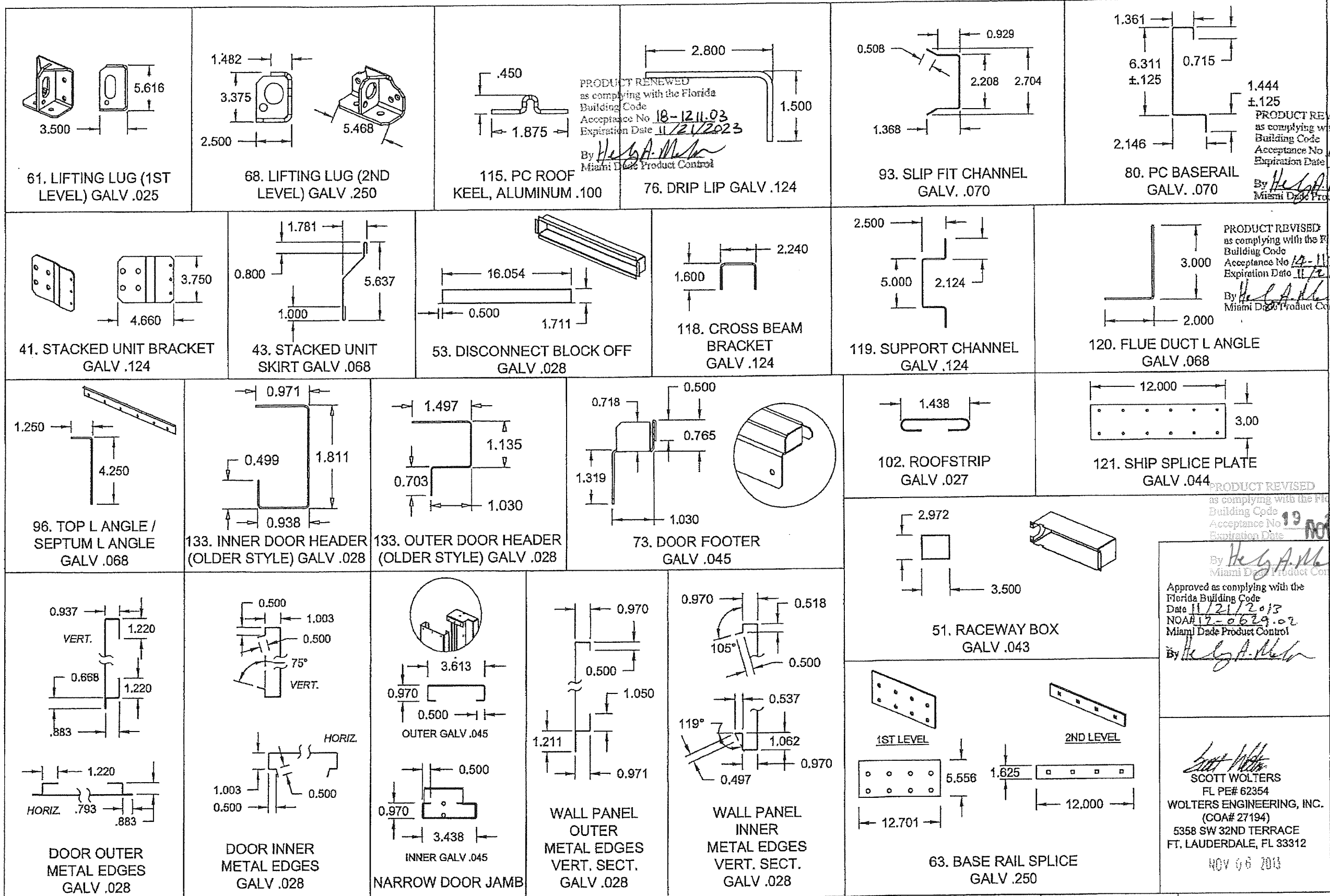
PRODUCT REVISED  
as complying with the Florida  
Building Code  
Acceptance No 14-1120.13  
Expiration Date 11/21/2018  
By *Healy A. Miller*  
Miami Dade Product Control

Approved as complying with the  
Florida Building Code  
Date 11/21/2013  
NOA# 17-0679.02  
Miami Dade Product Control  
By *Healy A. Miller*

 <p>44. 1ST LEVEL BASE RAIL GALV .070</p>	 <p>44. 1ST LEVEL BASE RAIL GALV .070</p>	 <p>11/117. DOOR CAM BRACKET GALV 0.060</p>	 <p>12. STRIKER PLATE GALV 0.110 MIN</p>	 <p>116. KEEPER/DOOR CAM WITH SET SCREWS MATERIAL=ZAMAK#3 DIE CAST PART</p>	 <p>149. DOOR TUBE STEEL</p>
--	--	---	---	--	---

*Scott Walters*  
SCOTT WALTERS  
FL PE# 62354  
WALTERS ENGINEERING, INC.  
(COA# 27194)  
5358 SW 32ND TERRACE  
FT. LAUDERDALE, FL 33312  
NOV 06 2013

DRAWING # <b>AIRS0672</b>	DESC. <b>TRANE PERFORMANCE CLIMATE CHANGER AIR HANDLER - SIZE 50 STACKED UNIT</b>	<b>TRANE</b> US Inc.	REV. HISTORY ---	BY: <b>K.YUVARAJA</b>	REV. <b>A</b>
SHEET 40 OF 47	SECTION	MOCK UP/DWG SHEET REF: 61 OF 63	SCALE: NTS	DATE 06-SEP-2013	



PRODUCT RENEWED  
 as complying with the Florida  
 Building Code  
 Acceptance No. 18-1211.03  
 Expiration Date 11/21/2023  
 By Heidi A. Miller  
 Miami Dade Product Control

PRODUCT REVISED  
 as complying with the Florida  
 Building Code  
 Acceptance No. 18-0212.08  
 Expiration Date 11/21/2018  
 By Heidi A. Miller  
 Miami Dade Product Control

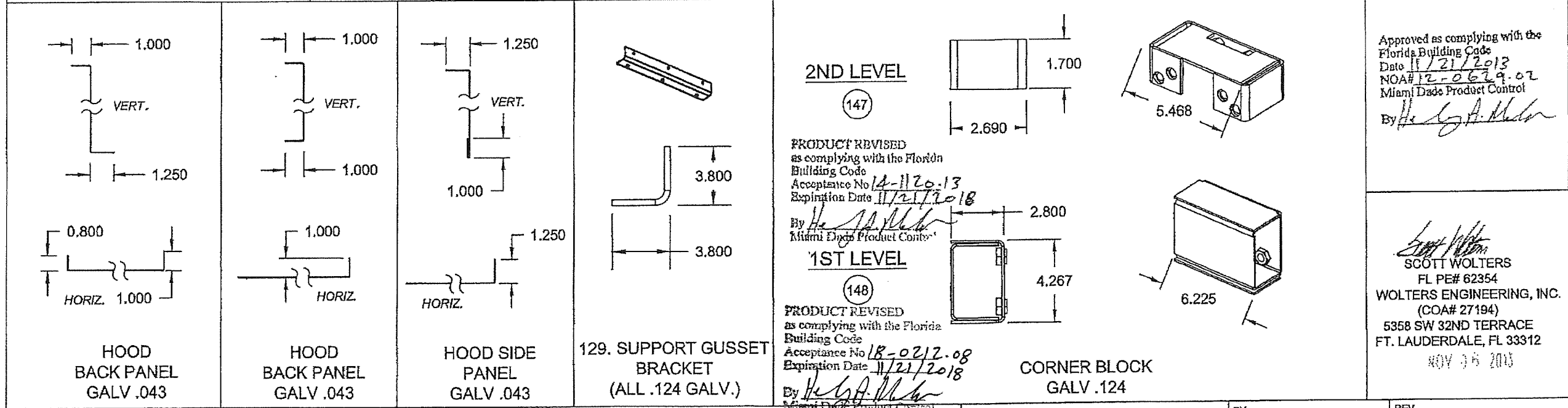
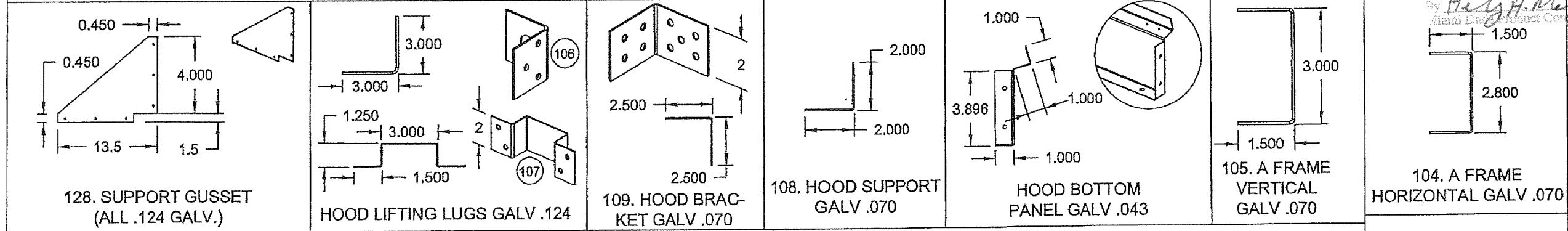
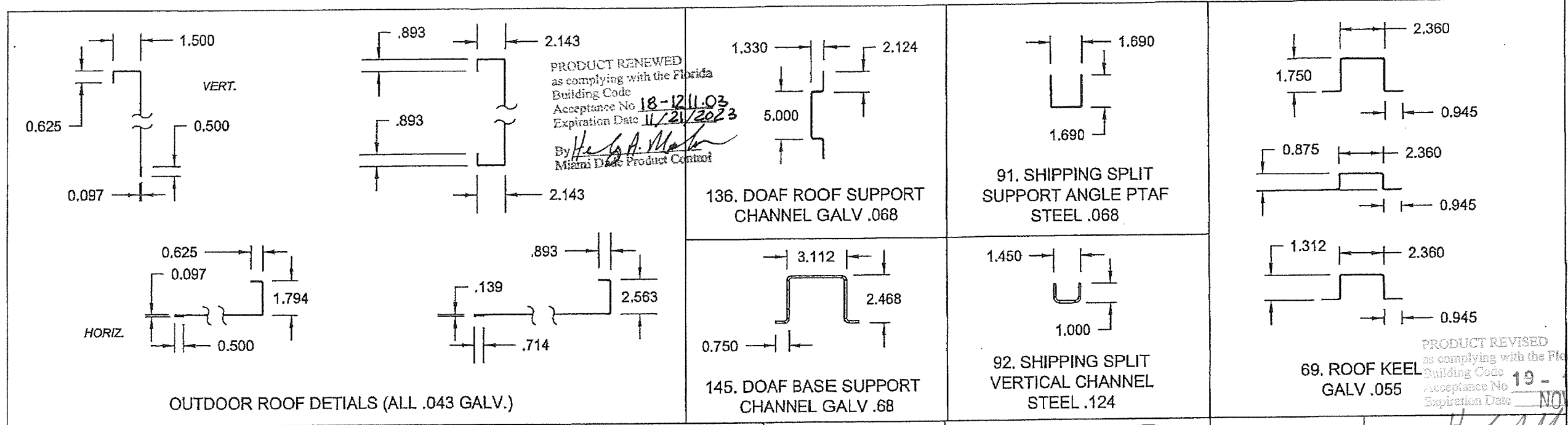
PRODUCT REVISED  
 as complying with the Florida  
 Building Code  
 Acceptance No. 14-1120.13  
 Expiration Date 11/21/2018  
 By Heidi A. Miller  
 Miami Dade Product Control

PRODUCT REVISED  
 as complying with the Florida  
 Building Code  
 Acceptance No. 19-2015.2023  
 Expiration Date NOV 20 2023  
 By Heidi A. Miller  
 Miami Dade Product Control

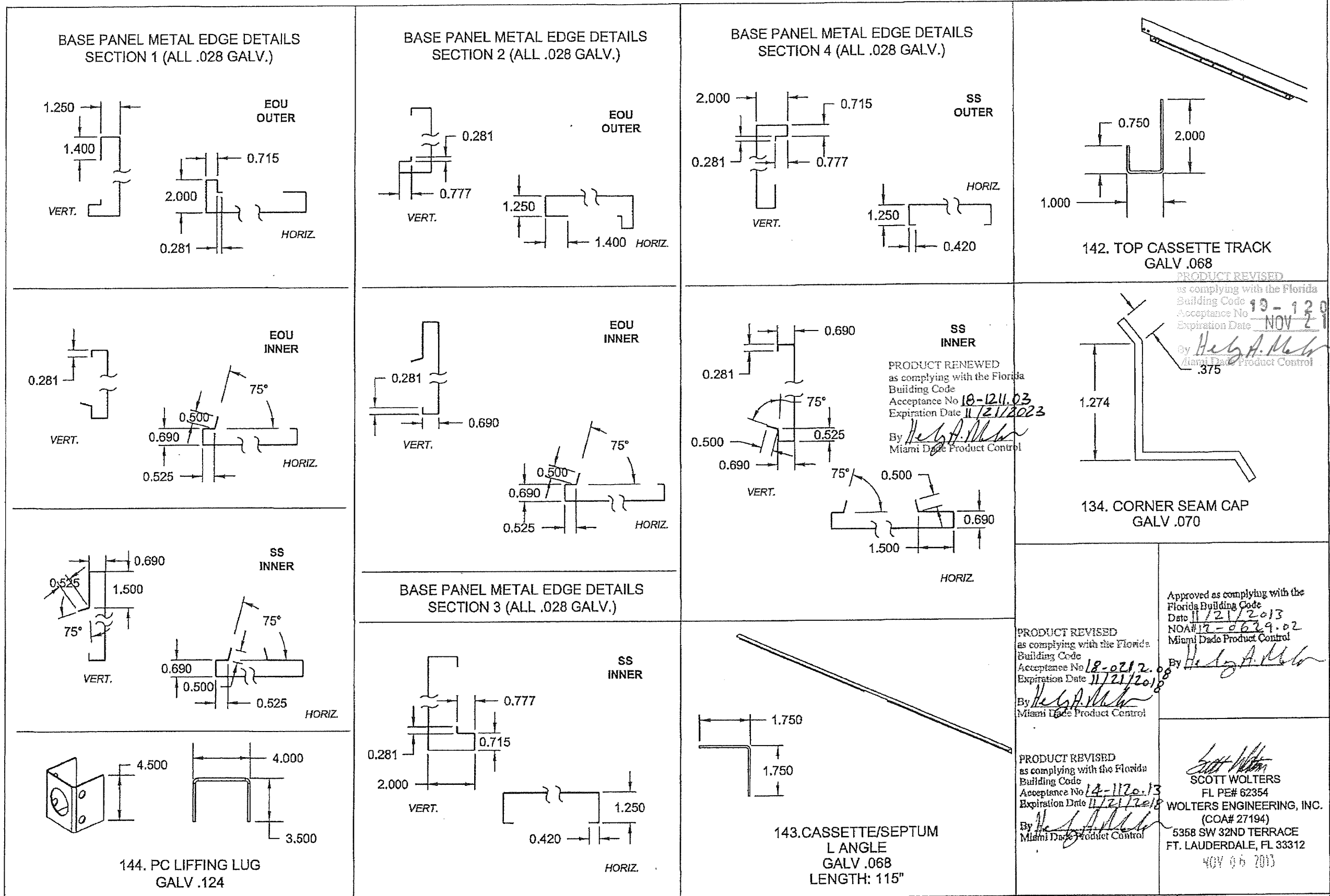
Approved as complying with the  
 Florida Building Code  
 Date 11/21/2013  
 NOA# 17-0629.02  
 Miami Dade Product Control  
 By Heidi A. Miller

Scott Walters  
 SCOTT WALTERS  
 FL PE# 62354  
 WALTERS ENGINEERING, INC.  
 (COA# 27194)  
 5358 SW 32ND TERRACE  
 FT. LAUDERDALE, FL 33312  
 NOV 06 2013

DRAWING # <b>AIRS0672</b>		DESC. <b>TRANE PERFORMANCE CLIMATE CHANGER AIR HANDLER - SIZE 50 STACKED UNIT</b>	<b>TRANE</b> US Inc.	REV. HISTORY ---	BY: <b>K.YUVARAJA</b>	REV. <b>A</b>
SHEET 41 OF 47	SECTION			MOCK UP/DWG SHEET REF: 61 - 63 OF 63 29 OF 35, AND 13 OF 19	SCALE: <b>NTS</b>	DATE <b>06-SEP-2013</b>



DRAWING #	<b>AIRS0672</b>	DESC.	<b>TRANE PERFORMANCE CLIMATE CHANGER AIR HANDLER - SIZE 50 STACKED UNIT</b>	REV. HISTORY	---	BY:	<b>K.YUVARAJA</b>	REV.	<b>A</b>
SHEET	<b>42 OF 47</b>	SECTION		MOCK UP/DWG SHEET REF:	<b>58 - 60 OF 63</b>	SCALE:	<b>NTS</b>	DATE	<b>06-SEP-2013</b>
<b>TRANE</b> US Inc.									



PRODUCT REVISED  
 as complying with the Florida  
 Building Code 19-1205  
 Acceptance No 10-1211  
 Expiration Date NOV 21 2023  
 By *Heidi A. Miller*  
 Miami Dade Product Control

PRODUCT RENEWED  
 as complying with the Florida  
 Building Code  
 Acceptance No 18-1211  
 Expiration Date 11/21/2023  
 By *Heidi A. Miller*  
 Miami Dade Product Control

Approved as complying with the  
 Florida Building Code  
 Date 11/21/2013  
 NOA# 17-0629-02  
 Miami Dade Product Control  
 By *Heidi A. Miller*

PRODUCT REVISED  
 as complying with the Florida  
 Building Code  
 Acceptance No 18-0212-08  
 Expiration Date 11/21/2018  
 By *Heidi A. Miller*  
 Miami Dade Product Control

PRODUCT REVISED  
 as complying with the Florida  
 Building Code  
 Acceptance No 14-1120-13  
 Expiration Date 11/21/2018  
 By *Heidi A. Miller*  
 Miami Dade Product Control

*Scott Wolters*  
 SCOTT WOLTERS  
 FL PE# 62354  
 WOLTERS ENGINEERING, INC.  
 (COA# 27194)  
 5358 SW 32ND TERRACE  
 FT. LAUDERDALE, FL 33312  
 409 96 2013

DRAWING #	<b>AIRS0672</b>
SHEET	43 OF 47

DESC. **TRANE PERFORMANCE CLIMATE CHANGER AIR HANDLER - SIZE 50 STACKED UNIT**

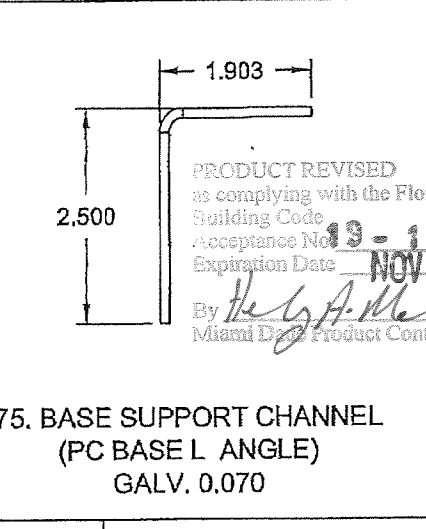
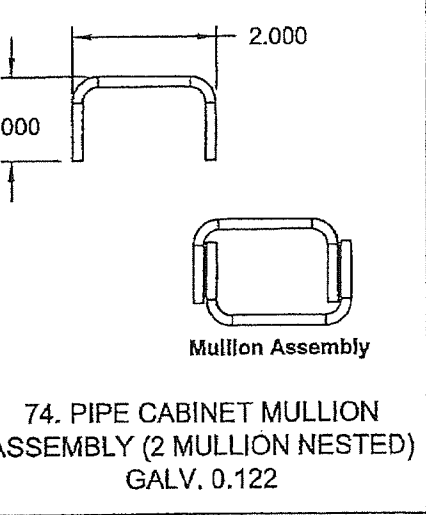
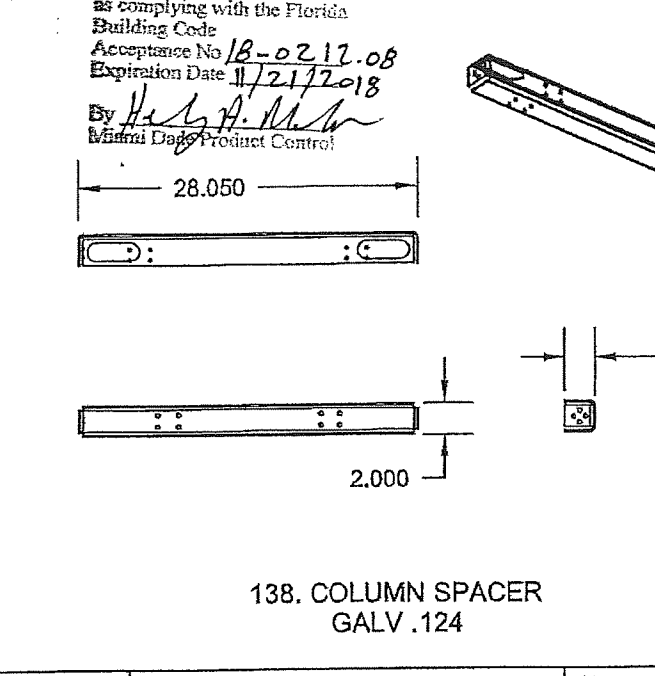
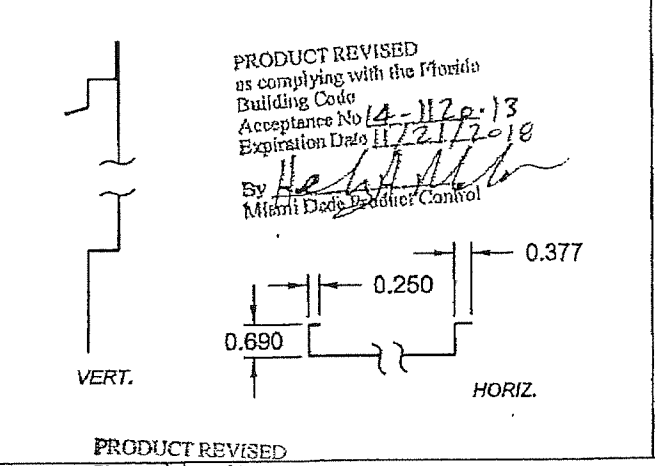
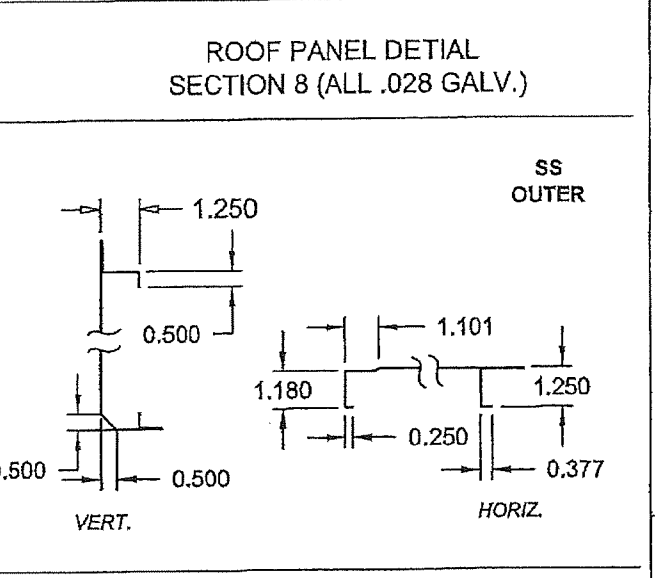
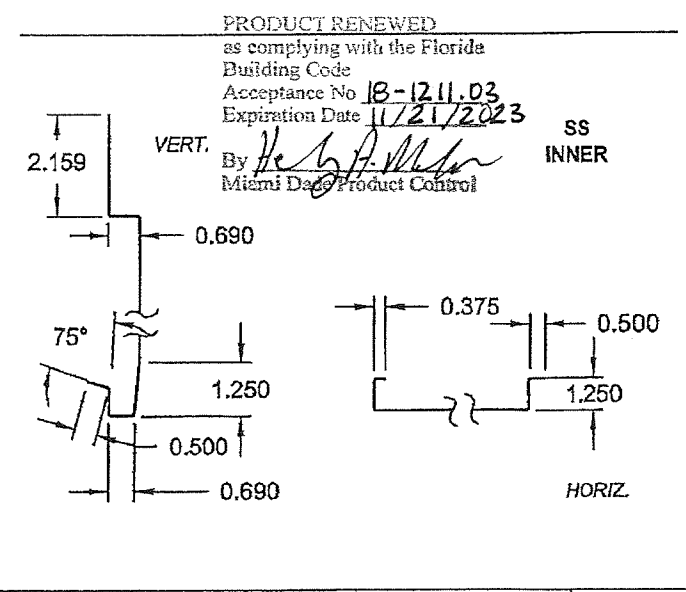
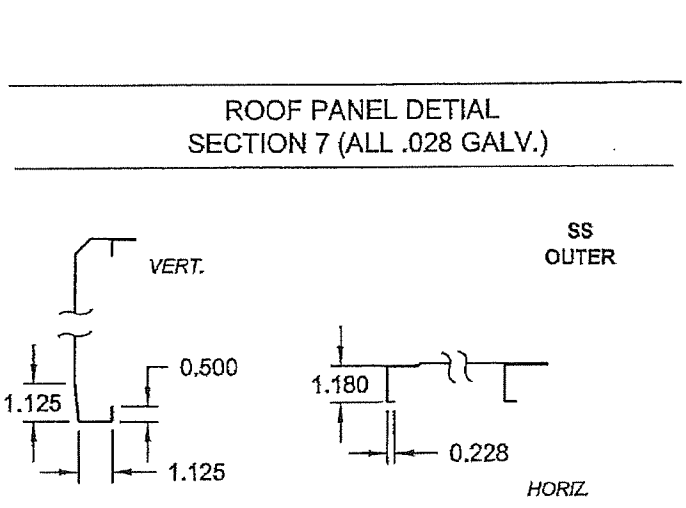
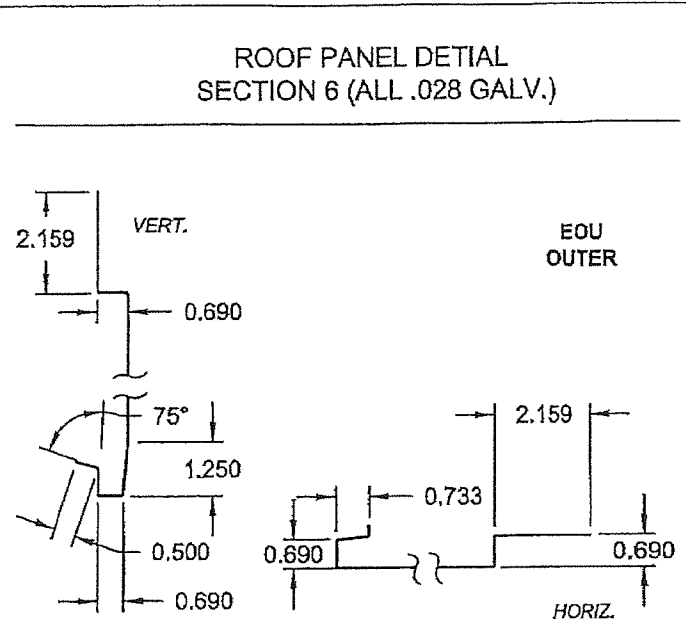
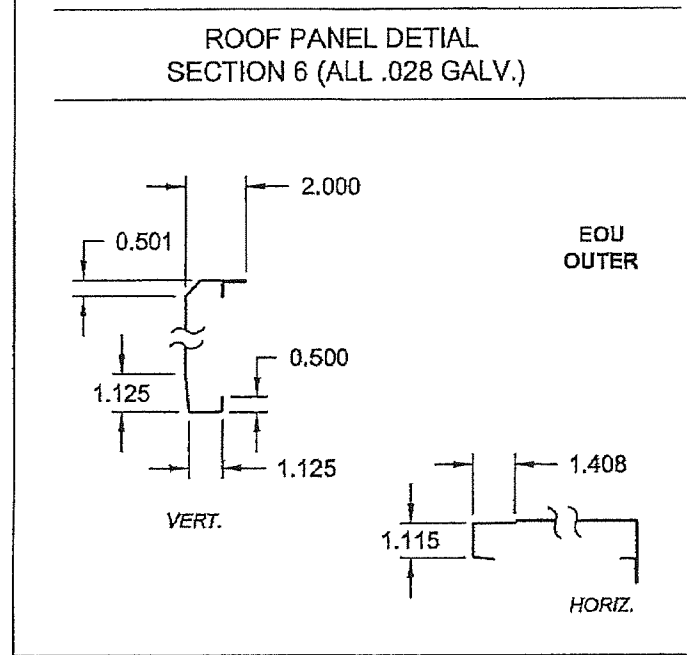
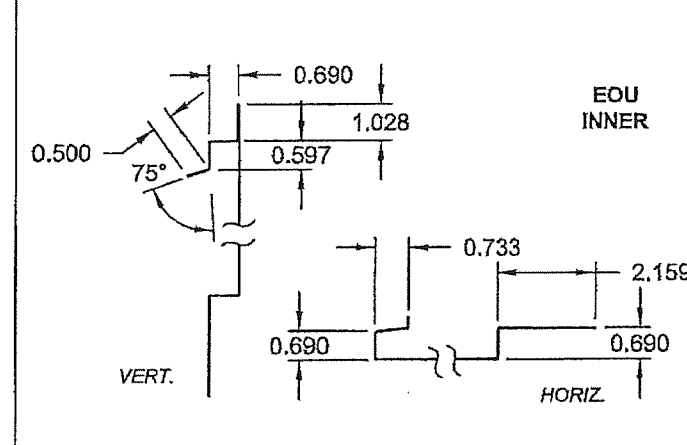
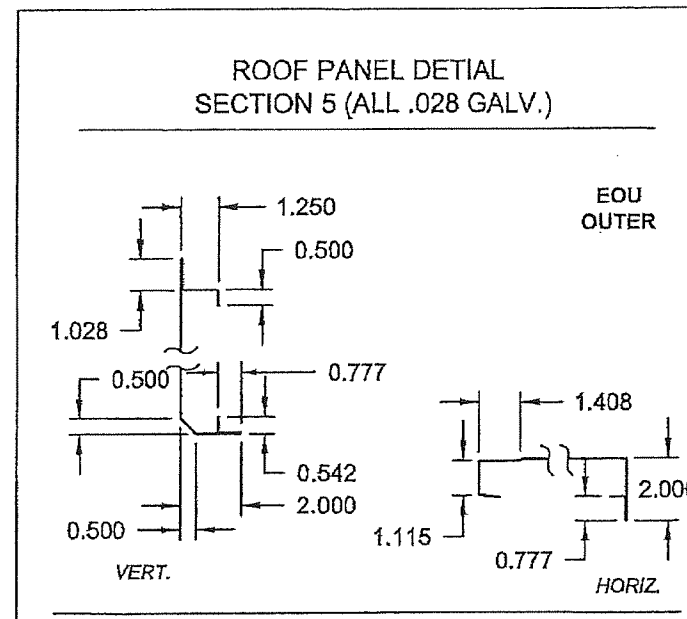


REV. HISTORY	---
MOCK UP/DWG SHEET REF:	27, 30 OF 35 54 OF 63

BY:	K. YUVARAJA
SCALE:	NTS

REV.	A
DATE	06-SEP-2013





Approved as complying with the Florida Building Code  
Date 11/21/2013  
NOAH 12-0629.02  
Miami Dade Product Control  
By *Healy A. McLean*

*Scott Wolters*  
SCOTT WOLTERS  
FL PE# 62354  
WOLTERS ENGINEERING, INC.  
(COA# 27194)  
5358 SW 32ND TERRACE  
FT. LAUDERDALE, FL 33312  
NOV 06 2013

DRAWING # AIRS0672  
SHEET 44 OF 47 SECTION

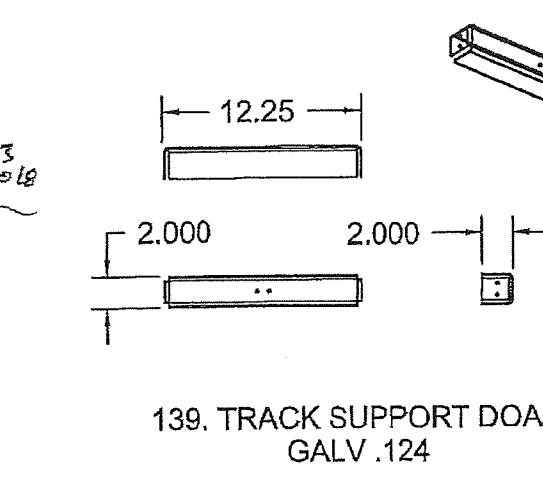
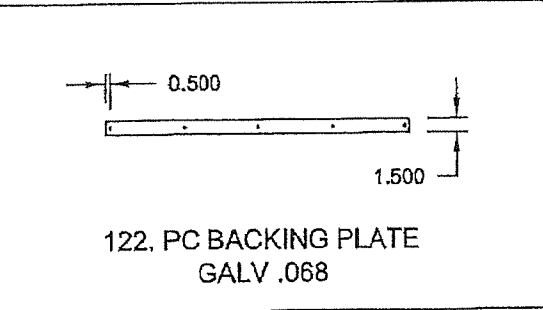
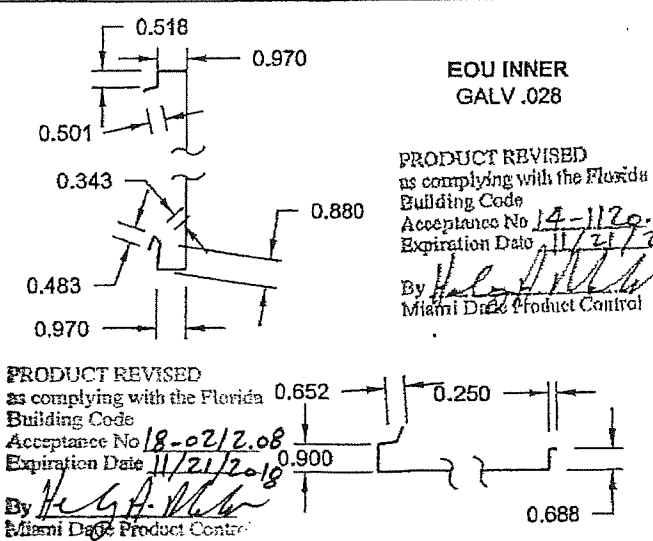
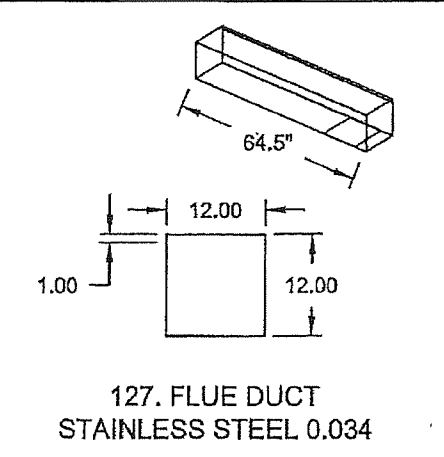
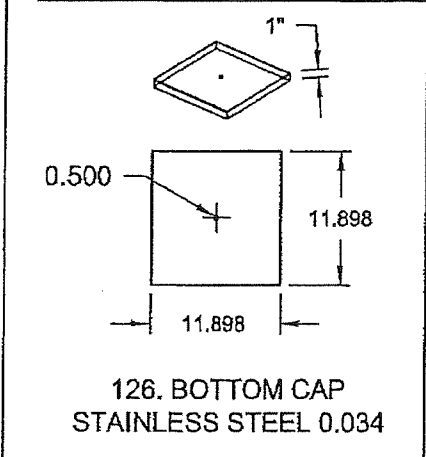
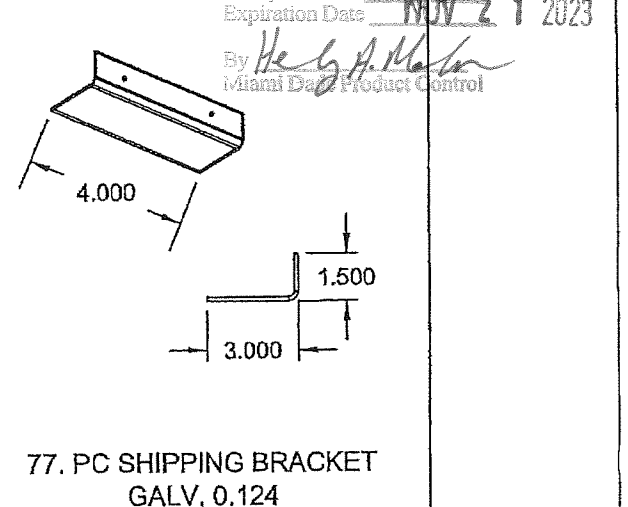
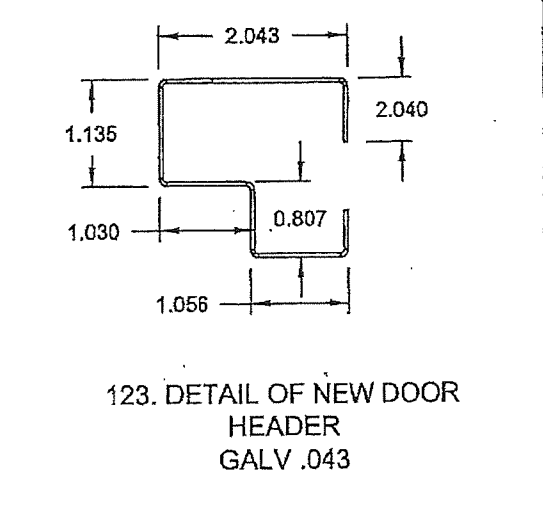
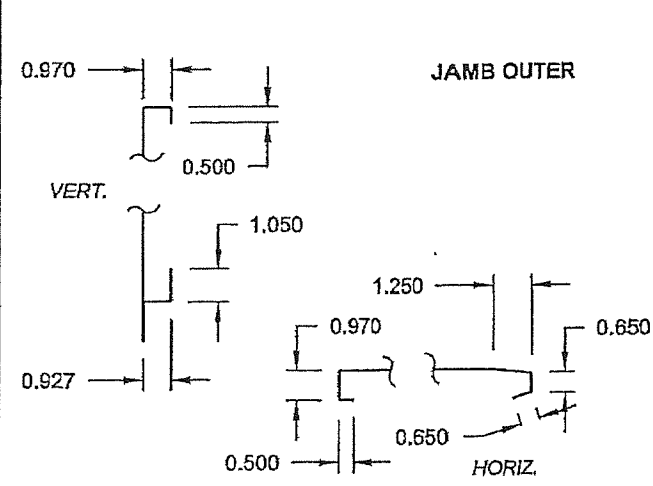
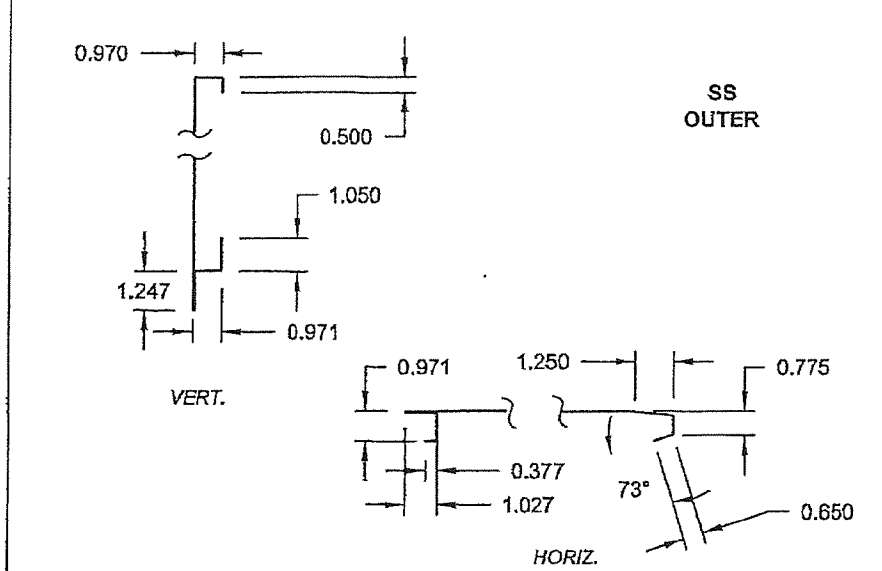
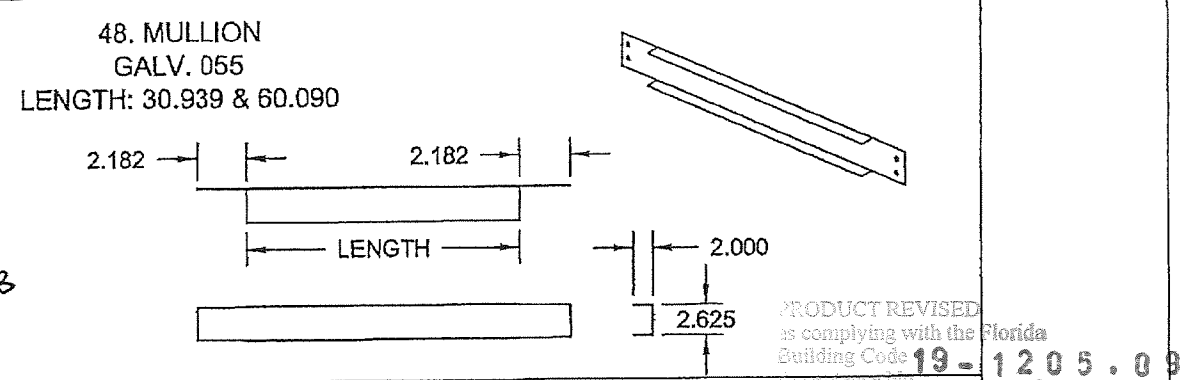
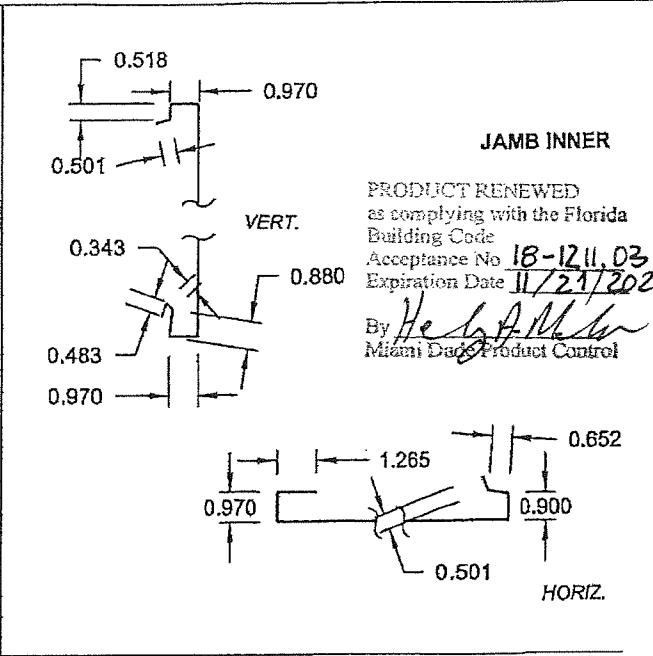
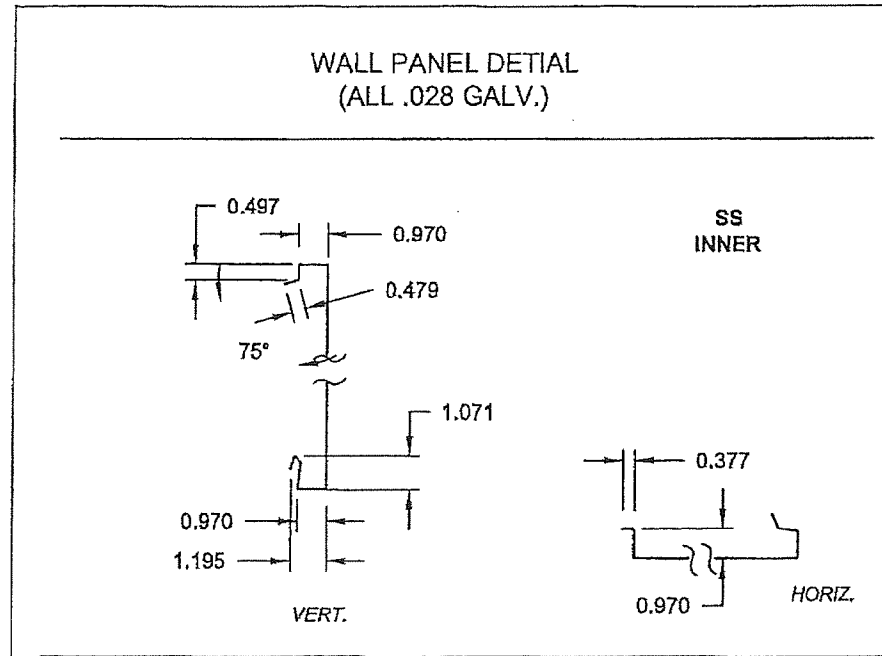
DESC. TRANE PERFORMANCE CLIMATE CHANGER AIR HANDLER - SIZE 50 STACKED UNIT

TRANE US Inc.

REV. HISTORY  
MOCK UP/DWG SHEET REF: 27 OF 35 55, 56 OF 63

BY: K. YUVARAJA  
SCALE: NTS

REV. A  
DATE 06-SEP-2013



Approved as complying with the  
Florida Building Code  
Date 11/21/2013  
NOA# 12-0629.02  
Miami Dade Product Control  
By He G. A. M. M.

Scott Wolters  
SCOTT WOLTERS  
FL PE# 62354  
WOLTERS ENGINEERING, INC.  
(COA# 27194)  
5358 SW 32ND TERRACE  
FT. LAUDERDALE, FL 33312  
NOV 06 2013

DRAWING # **AIRS0672**  
SHEET 45 OF 47      SECTION

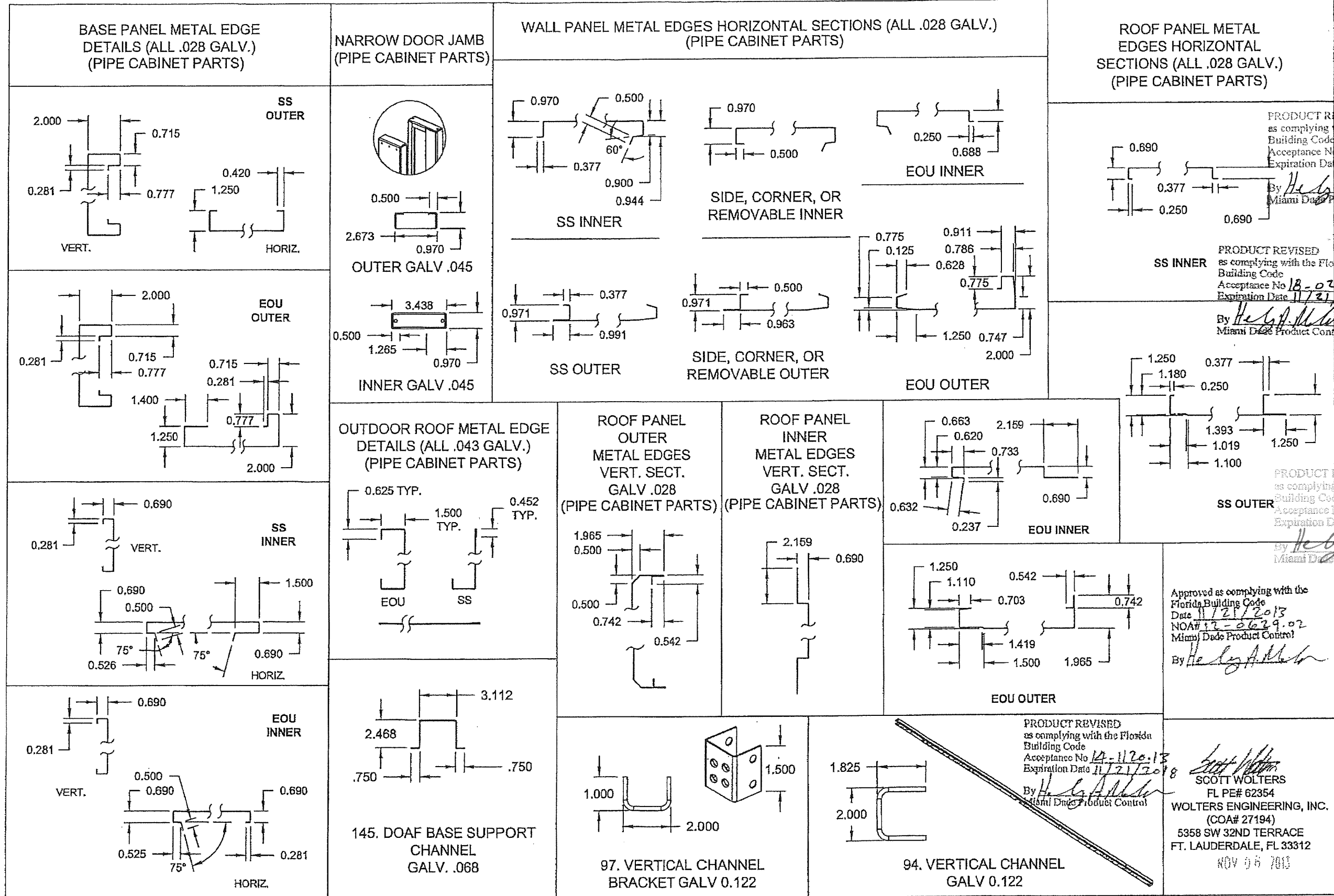
DESC. **TRANE PERFORMANCE CLIMATE CHANGER  
AIR HANDLER - SIZE 50 STACKED UNIT**

**TRANE**  
US Inc.

REV. HISTORY ---  
MOCK UP/DWG SHEET REF: 27 OF 35 / 57 OF 63

BY: **K.YUVARAJA**  
SCALE: NTS

REV. **A**  
DATE **06-SEP-2013**



PRODUCT RENEWED as complying with the Florida Building Code  
 Acceptance No 18-1211.03  
 Expiration Date 11/21/2023  
 By *Healy A. M...*  
 Miami Dade Product Control

PRODUCT REVISED as complying with the Florida Building Code  
 Acceptance No 18-0212.09  
 Expiration Date 11/21/2018  
 By *Healy A. M...*  
 Miami Dade Product Control

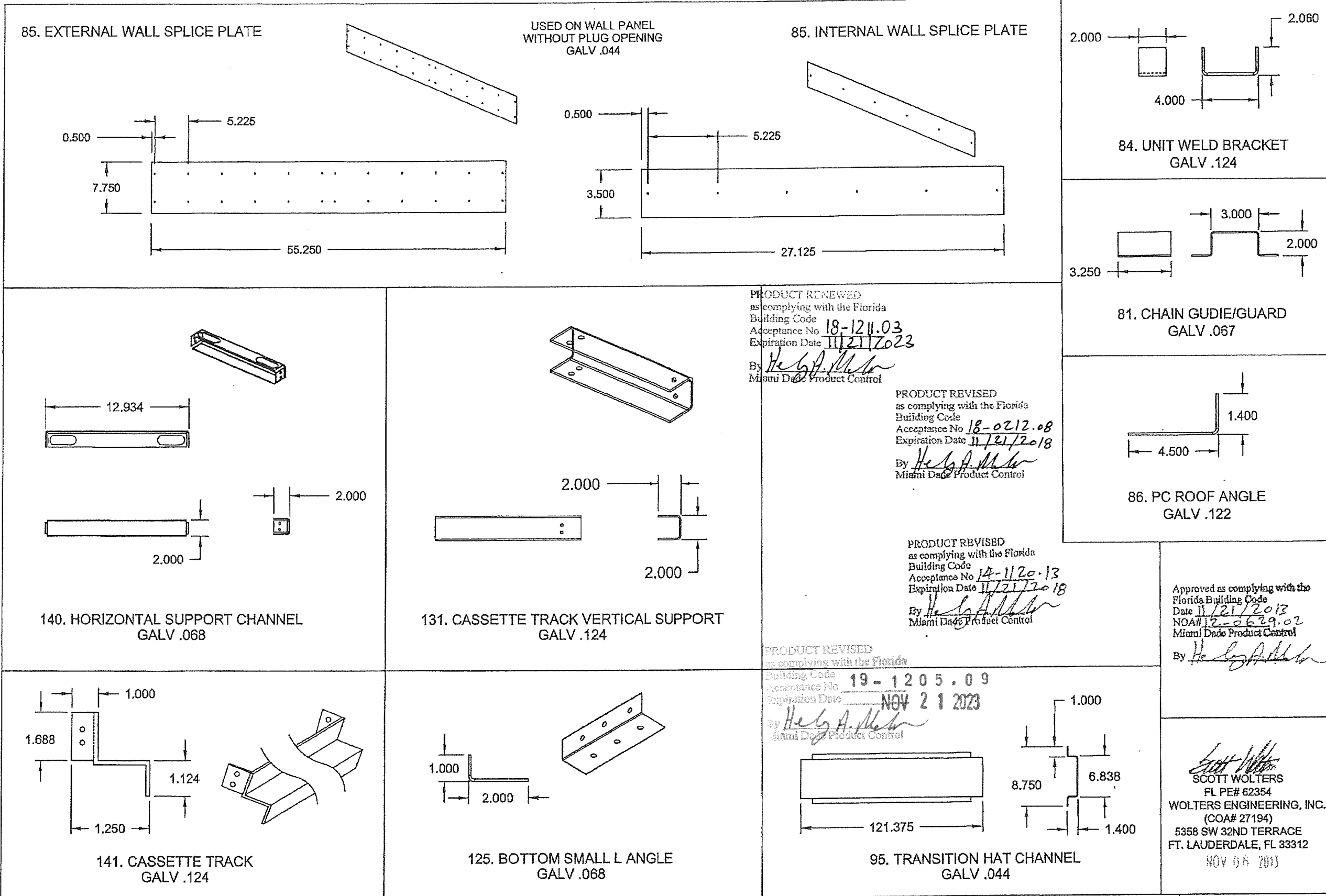
PRODUCT REVISED as complying with the Florida Building Code  
 Acceptance No 19-1205.09  
 Expiration Date NOV 21 2023  
 By *Healy A. M...*  
 Miami Dade Product Control

Approved as complying with the Florida Building Code  
 Date 11/21/2013  
 NOA# 13-0629.02  
 Miami Dade Product Control  
 By *Healy A. M...*

PRODUCT REVISED as complying with the Florida Building Code  
 Acceptance No 14-1120.13  
 Expiration Date 11/21/2018  
 By *Healy A. M...*  
 Miami Dade Product Control

*Scott Wolters*  
 SCOTT WOLTERS  
 FL PE# 62354  
 WOLTERS ENGINEERING, INC.  
 (COA# 27194)  
 5358 SW 32ND TERRACE  
 FT. LAUDERDALE, FL 33312  
 NOV 06 2013

DRAWING #	<b>AIRS0672</b>	DESC.	<b>TRANE PERFORMANCE CLIMATE CHANGER AIR HANDLER - SIZE 50 STACKED UNIT</b>	TRANE US Inc.	REV. HISTORY	---	BY:	<b>K.YUVARAJA</b>	REV.	<b>A</b>
SHEET	46 OF 47	SECTION			MOCK UP DWG SHEET REF:	13 - 19 OF 19 29 OF 35, AND 60 OF 63	SCALE:	<b>NTS</b>	DATE	<b>06-SEP-2013</b>



PRODUCT RENEWED  
 as complying with the Florida  
 Building Code  
 Acceptance No. 18-1211.03  
 Expiration Date 11/21/2023  
 By *Healy A. Miller*  
 Miami Dade Product Control

PRODUCT REVISED  
 as complying with the Florida  
 Building Code  
 Acceptance No. 18-0212.08  
 Expiration Date 11/21/2018  
 By *Healy A. Miller*  
 Miami Dade Product Control

PRODUCT REVISED  
 as complying with the Florida  
 Building Code  
 Acceptance No. 14-1120.13  
 Expiration Date 11/21/2018  
 By *Healy A. Miller*  
 Miami Dade Product Control

PRODUCT REVISED  
 as complying with the Florida  
 Building Code  
 Acceptance No. 19-1205.09  
 Expiration Date NOV 21 2023  
 By *Healy A. Miller*  
 Miami Dade Product Control

Approved as complying with the  
 Florida Building Code  
 Date 11/21/2013  
 NOA# 12-0629.02  
 Miami Dade Product Control  
 By *Healy A. Miller*

*Scott Walters*  
 SCOTT WALTERS  
 FL PE# 62354  
 WALTERS ENGINEERING, INC.  
 (COA# 27194)  
 5358 SW 32ND TERRACE  
 FT. LAUDERDALE, FL 33312  
 NOV 06 2013

DRAWING #		DESC.	REV. HISTORY	BY:	REV.
AIRS0672					
SHEET	SECTION	TRANE PERFORMANCE CLIMATE CHANGER AIR HANDLER - SIZE 50 STACKED UNIT	TRANE	SCALE:	DATE
47 OF 47			US Inc.	28, 30 OF 35	NTS