



DEPARTMENT OF REGULATORY AND ECONOMIC RESOURCES (RER)  
BOARD AND CODE ADMINISTRATION DIVISION

MIAMI-DADE COUNTY  
PRODUCT CONTROL SECTION  
11805 SW 26 Street, Room 208  
Miami, Florida 33175-2474  
T (786) 315-2590 F (786) 315-2599  
[www.miamidade.gov/economy](http://www.miamidade.gov/economy)

## NOTICE OF ACCEPTANCE (NOA)

**Brava I.P. L.L.C.**  
**P.O. BOX 714**  
**Neenah, WI. 54957-0714**

### SCOPE:

This NOA is being issued under the applicable rules and regulations governing the use of construction materials. The documentation submitted has been reviewed and accepted by Miami-Dade County RER - Product Control Section to be used in Miami Dade County and other areas where allowed by the Authority Having Jurisdiction (AHJ).

This NOA shall not be valid after the expiration date stated below. The Miami-Dade County Product Control Section (In Miami Dade County) and/or the AHJ (in areas other than Miami Dade County) reserve the right to have this product or material tested for quality assurance purposes. If this product or material fails to perform in the accepted manner, the manufacturer will incur the expense of such testing and the AHJ may immediately revoke, modify, or suspend the use of such product or material within their jurisdiction. RER reserves the right to revoke this acceptance, if it is determined by Miami-Dade County Product Control Section that this product or material fails to meet the requirements of the applicable building code.

This product is approved as described herein, and has been designed to comply with the Florida Building Code including the High Velocity Hurricane Zone of the Florida Building Code.

### DESCRIPTION: **Brava Old World Slate Class A**

**LABELING:** Each unit shall bear a permanent label with the manufacturer's name or logo, city, state and following statement: "Miami-Dade County Product Control Approved", unless otherwise noted herein.

**RENEWAL** of this NOA shall be considered after a renewal application has been filed and there has been no change in the applicable building code negatively affecting the performance of this product.

**TERMINATION** of this NOA will occur after the expiration date or if there has been a revision or change in the materials, use, and/or manufacture of the product or process. Misuse of this NOA as an endorsement of any product, for sales, advertising or any other purposes shall automatically terminate this NOA. Failure to comply with any section of this NOA shall be cause for termination and removal of NOA.

**ADVERTISEMENT:** The NOA number preceded by the words Miami-Dade County, Florida, and followed by the expiration date may be displayed in advertising literature. If any portion of the NOA is displayed, then it shall be done in its entirety.

**INSPECTION:** A copy of this entire NOA shall be provided to the user by the manufacturer or its distributors and shall be available for inspection at the job site at the request of the Building Official.

This NOA renews NOA #19-0418.03 and consists of pages 1 through 7.  
The submitted documentation was reviewed by *Freddy Semino*



NOA No.: 20-0330.03  
Expiration Date: 08/12/25  
Approval Date: 09/03/20  
Page 1 of 7

**ROOFING ASSEMBLY APPROVAL**

**Category:** Roofing  
**Sub-Category:** Roofing Slate  
**Materials:** Composite  
**Deck Type:** Wood  
**Maximum Design Pressure** -161.75 psf.  
**Fire Classification Pressure** See General Limitation #1

**TRADE NAMES OF PRODUCTS MANUFACTURED OR LABELED BY APPLICANT:**

<u>Product</u>	<u>Dimensions</u>	<u>Test Specifications</u>	<u>Product Description</u>
Brava Old World Slate Class A	Length: 23-1/4" Width: 12-1/8" Thickness: 0.80" tapered to 0.16"	TAS 125	Slate looking composite shingle for use in mechanically attached systems.
Eave Starter	Length: 16" Width: 14" Thickness: 0.57" tapered to 0.135"	TAS 125	Composite shingle for use as a starter course with the Brava Slate Class A.

**MANUFACTURING LOCATION:**

1. Washington, IA.

**EVIDENCE SUBMITTED:**

<u>Test Agency</u>	<u>Test Identifier</u>	<u>Test Name/Report</u>	<u>Date</u>
ETC Laboratories	ETC-07-718-20129.0	ASTM D 2843	10/22/07
	ETC-07-718-20129.0	ASTM D 1929	10/22/07
	ETC-07-718-20129.0	ASTM D 635	10/22/07
PRI Construction Materials Technologies	TMIC-006-02-01	ASTM G 155	06/18/08
	TMIC-013-02-01	TAS 100	01/04/08
Southwest Research Institute	01.13537.01.301b	ASTM E 108	01/18/08
Hurricane Test Laboratory, LLC.	0497-0203-08	TAS 125	09/19/08
Intertek / Architectural Testing	E5336.01-106-18	Physical Properties	04/29/15



NOA No.: 20-0330.03  
 Expiration Date: 08/12/25  
 Approval Date: 09/03/20  
 Page 2 of 7

## APPROVED ASSEMBLIES:

<b>System:</b>	<b>Brava Old World Slate Class A</b>
<b>Deck Type:</b>	Wood, Non-Insulated
<b>Deck Description:</b>	<sup>19</sup> / <sub>32</sub> " or greater plywood or wood plank.
<b>Slope Range:</b>	2": 12" or greater
<b>Maximum Uplift Pressure:</b>	<b>See Maximum Design Pressures Below</b>

---

<b>Deck Attachment:</b>	In accordance with applicable building code, but in no case shall it be less than # 8d annular ring shank nails <b>spaced at the distance specified below in Table A</b> . In reroofing, where the deck is less than <sup>19</sup> / <sub>32</sub> " thick (Minimum <sup>15</sup> / <sub>32</sub> ") the above attachment method must be in addition to existing attachment.
<b>Underlayment:</b>	Minimum underlayment shall be an ASTM D 226 Type II installed with a minimum 4" side-lap and 6" end-laps. Underlayment shall be fastened with corrosion resistant tin-caps and 12 gauge 1 ¼" annular ring-shank nails, spaced 6" o.c. at all laps and two staggered rows 12" o.c. in the field of the roll. Or, any approved underlayment having a current NOA.
<b>Fire Barrier:</b>	Any approved fire barrier having a current NOA. Refer to a current fire directory listing for fire ratings of this roofing system assembly as well as the location of the fire barrier within the assembly. See Limitation # 1.
<b>Valleys:</b>	Valley construction shall be in compliance with Roofing Application Standard RAS 118 and with Brava Technologies LLC's current published installation instructions.
<b>Eave Starter:</b>	Install starter over urethane caulk flush with the drip edge. Mechanically fasten the starter with two (2) 1-3/4" corrosion resistant ring shank nails placed 10-1/2" from the eave edge and 1-1/2" in from each side (in the designated nail holes).



**Tile Installation:**

Install the "Brava Old World Slate Class A" and accessories in compliance with the current published installation instructions and details in Brava Manufacturing LLC's Installation Manual. Flashings, penetrations, valley construction and other details shall be constructed in compliance with Roofing Application Standard RAS 133.

Each slate is installed with (2) two fasteners as specified below in table A, through the designated nail holes. (See Detail A).

The adjoining slate is laid next to the existing slate with a 3/8" gap. The next row is laid with an 8" exposure. (See Detail B).

**TABLE A  
MAXIMUM DESIGN PRESSURES**

<b>Roof Areas</b>	<b>Field</b>	<b>Perimeter and Corner<sup>1</sup></b>
<b>Deck Attachment (for plywood)</b>	6" o.c. along perimeter and field	4" o.c. along perimeter and field 3" o.c. along the seams
<b>Fastener Type (for slate)</b>	1/8" corrosion resistant ring shank nail long enough to penetrate the sheathing 3/16" of an inch.	#10 x 2-1/2" corrosion resistant screw
<b>Maximum Design Pressure</b>	-106.75psf	-161.75psf
1. Extrapolation shall not be allowed		



## GENERAL LIMITATIONS:

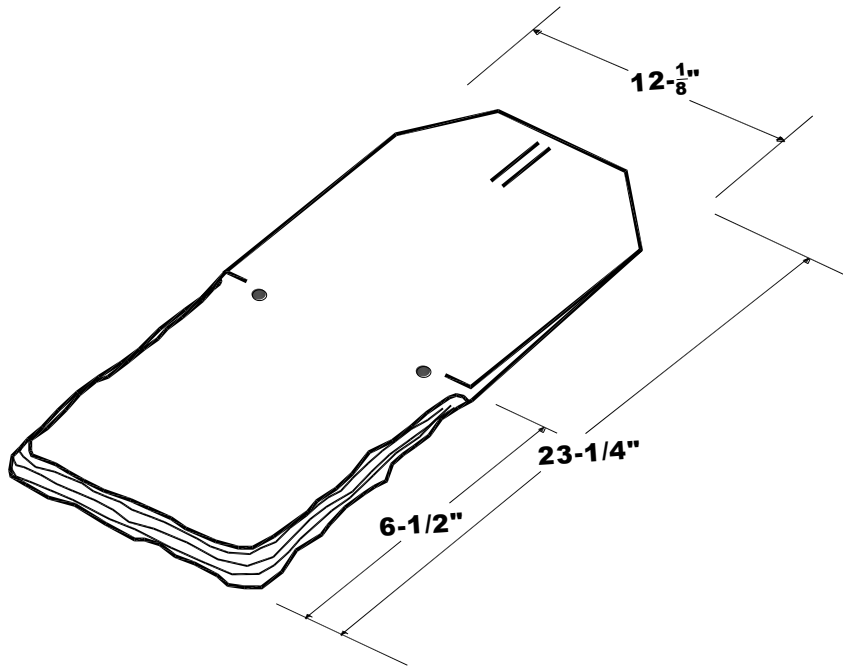
1. Fire classification is not part of this acceptance; refer to a current Approved Roofing Materials Directory for fire ratings of this product.
2. The maximum designed pressure limitation listed shall be applicable to all roof pressure zones (i.e. field, perimeters, and corners). Neither rational analysis, nor extrapolation shall be permitted for enhanced fastening at enhanced pressure zones (i.e. perimeters, extended corners and corners).
3. Each slates shall be permanently labeled with the manufacturer's name and/or logo, and the following statement: "Miami-Dade County Product Control Approved" **or** with the Miami-Dade County Product Control Seal as seen below.



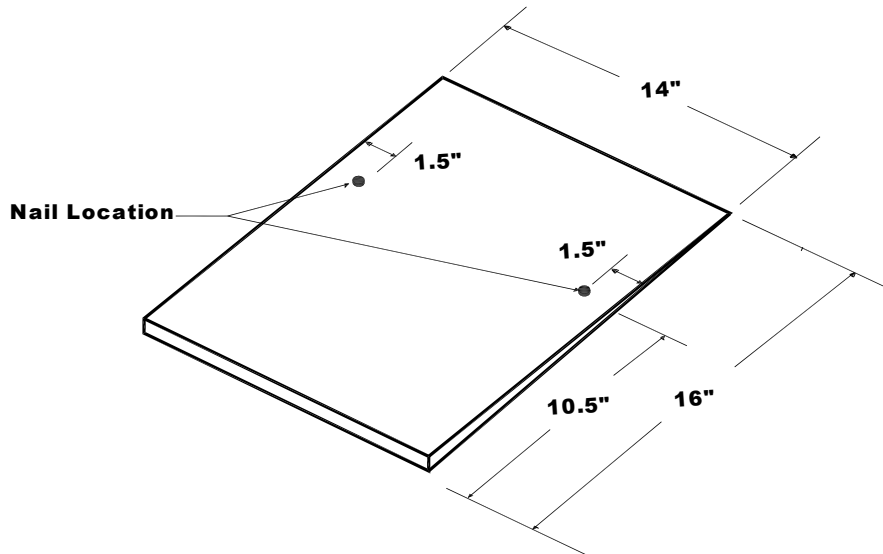
4. All products listed herein shall have a quality assurance audit in accordance with the Florida Building Code and Rule 61G20-3 of the Florida Administrative Code.



**PROFILE DRAWINGS  
DETAIL A**



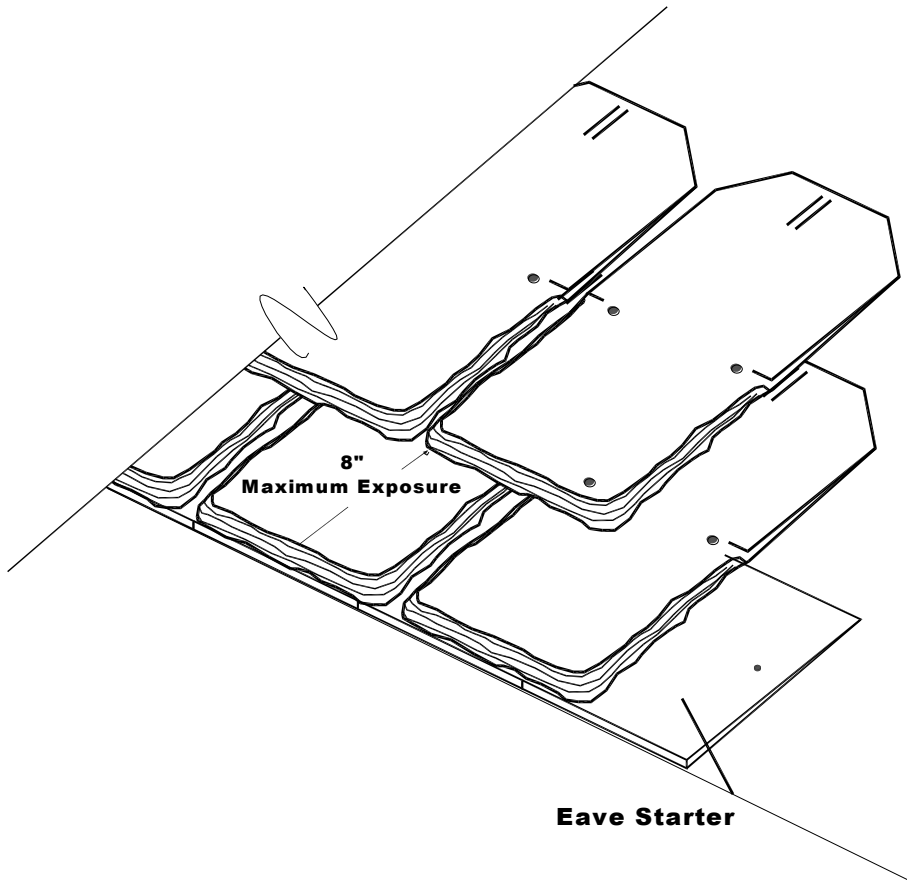
**BRAVA OLD WORLD SLATE CLASS A**



**EAVE STARTER**



## DETAIL B



**END OF THIS ACCEPTANCE**

