



DEPARTMENT OF REGULATORY AND ECONOMIC RESOURCES (RER)
 BOARD AND CODE ADMINISTRATION DIVISION
NOTICE OF ACCEPTANCE (NOA)

Marvair,
 Division of Airxcel, Inc.
 156 Seeding Dr.
 Cordele, GA. 31015

SCOPE:

This NOA is being issued under the applicable rules and regulations governing the use of construction materials. The documentation submitted has been reviewed and accepted by Miami-Dade County RER -Product Control Section to be used in Miami Dade County and other areas where allowed by the Authority Having Jurisdiction (AHJ).

This NOA shall not be valid after the expiration date stated below. The Miami-Dade County Product Control Section (In Miami Dade County) and/or the AHJ (in areas other than Miami Dade County) reserve the right to have this product or material tested for quality assurance purposes. If this product or material fails to perform in the accepted manner, the manufacturer will incur the expense of such testing and the AHJ may immediately revoke, modify, or suspend the use of such product or material within their jurisdiction. RER reserves the right to revoke this acceptance, if it is determined by Miami-Dade County Product Control Section that this product or material fails to meet the requirements of the applicable building code.

This product is approved as described here in and has been designed to comply with the Florida Building Code, including the High Velocity Hurricane Zone.

DESCRIPTION: Series "WAC 2000" vent Hood Unit mount (Single Steel Door App)-Component Approval-LMI

APPROVAL DOCUMENT: Drawing No. **ID 01664**, titled "Series WAC 2000 Hood Unit mounted on Single Outswing Door (Component Approval)", sheets 1 through 2 of 2, dated 11/05/2020, prepared by Bri-Ko Engineering, Inc., signed and sealed by Brian Schwartz, P.E., bearing the Miami-Dade County Product Control Approval stamp with the Notice of Acceptance number and approval date by the Miami-Dade County Product Control Section.

MISSILE IMPACT RATING: Large and Small Missile Impact Resistant

Limitations:

1. The Hood Unit as a Component Approval to be mounted in min 16 ga Steel Single Outswing Door, having a current door system NOA (Under separate approval). See sheet 1 for door system minimum requirement.
2. Lower Design Pressure of this component or Single door may control for the entire assembly. The Hood as a door Component unit is reviewed for wind load only.
3. Electrical/Electronic functions and Fire Rating are not part of the approval, such installation to be reviewed by AHJ.

LABELING: Each unit shall bear a permanent label with the manufacturer's name or logo, city, state and series and following statement: "Miami-Dade County Product Control Approved", noted herein.

RENEWAL of this NOA shall be considered after a renewal application has been filed and there has been no change in the applicable building code negatively affecting the performance of this product.

TERMINATION of this NOA will occur after the expiration date or if there has been a revision or change in the materials, use, and/or manufacture of the product or process. Misuse of this NOA as an endorsement of any product, for sales, advertising or any other purposes shall automatically terminate this NOA. Failure to comply with any section of this NOA shall be cause for termination and removal of NOA.

ADVERTISEMENT: The NOA number preceded by the words Miami-Dade County, Florida, and followed by the expiration date may be displayed in advertising literature. If any portion of the NOA is displayed, then it shall be done in its entirety.

INSPECTION: A copy of this entire NOA shall be provided to the user by the manufacturer or its distributors and shall be available for inspection at the job site at the request of the Building Official.

This NOA consists of this page 1 and evidence pages E-1, as well as approval document mentioned above.

The submitted documentation was reviewed by **Ishaq I. Chanda, P.E.**



Ishaq I. Chanda

NOA No. 20-0519.02
 Expiration Date: November 19, 2025
 Approval Date: November 19, 2020

NOTICE OF ACCEPTANCE: EVIDENCE SUBMITTED

A. DRAWINGS

1. Manufacturer's parts drawings and sections (Submitted under files below)
2. Drawing No. **ID 01664**, titled "Series WAC 2000 Hood Unit mounted on Single Outswing Door (Component Approval)", sheets 1 through 2 of 2, dated 11/05/2020, prepared by Bri-Ko Engineering, Inc., signed and sealed by Brian Schwartz, P.E.

B. TESTS

1. Test reports on
 - 1) Air Infiltration Test, per FBC, TAS 202-94(Not performed)
 - 2) Uniform Static Air Pressure Test, Loading per FBC, TAS 202-94
 - 3) Water Resistance Test, per FBC, TAS 202-94 (Not Performed)
 - 4) Large Missile Impact Test per FBC, TAS 201-94
 - 5) Cyclic Wind Pressure Loading per FBC, TAS 203-94
 - 6) Tensile strength of door skin per ASTM E-8

Along with marked-up drawings and installation diagram of series DAW 2000 Hood Unit mounted on 16 ga Steel Single Outswing door. prepared by Intertek, Test Report No. **J 6935.01-801-18-ro**, dated 07/18/20, signed and sealed by Tyler Westerling, P.E.

C. CALCULATIONS

1. Wind loading Structural analysis & anchor verification calculation dated 10/05/20, prepared by Bri-Ko Engineering, Inc., signed and sealed by Brian Schwartz, P.E.

D. QUALITY ASSURANCE

1. Miami Dade Department of Regulatory and Economic Resources (RER).

E. MATERIAL CERTIFICATIONS

1. None.

F. STATEMENTS

1. Statement letter of analysis conformance, complying with **FBC-7th Edition (2020)**, and of no financial interest, dated 10/05/20, prepared by Bri-Ko Engineering, Inc., signed and sealed by Brian Schwartz, P.E.

G. OTHER

1. Test proposal #20-0485 dated 05/15/20, issued by RER.

Ishaq I. Chanda

Ishaq I. Chanda, P.E.
Product Control Unit Supervisor
NOA No. 20-0519.02
Expiration Date: November 19, 2025
Approval Date: November 19, 2020

SERIES VENT-HOOD WAC2000
UNIT MOUNTED ON
SINGLE OUTSWING
DOORS (COMPONENT
APPROVAL)

UNIT HOOD CHANNEL
LOCKS INTO MOUNTING
PANEL TO ASSIST IN SECURING
HOOD TO THE DOOR

UNIT HOOD ASSEMBLY
MOUNTING ANGLES
(TOP, SIDE, & BOTTOM)
COME PRE-ATTACHED
TO HOOD

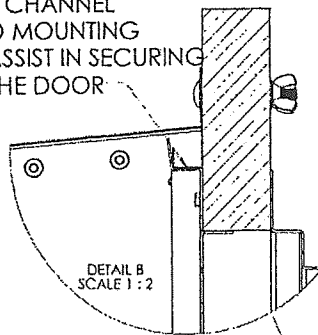
SILICONE CAULKING
AROUND HEAD OF
CARRIAGE BOLT
6 PLACES

NOTE: SILICONE CAULKING
SHOWN WITH (THICK GREEN) LINE.

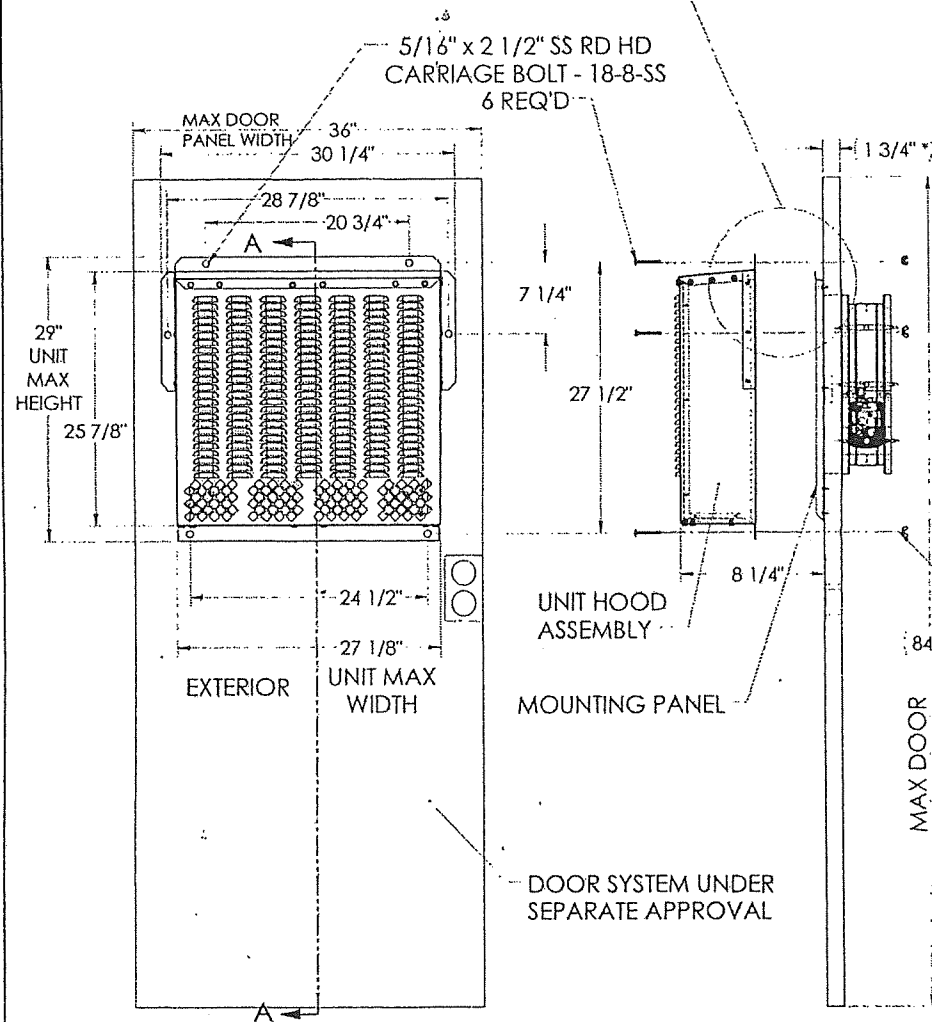
SILICONE CAULKING
AROUND PERIMETER
OF MOUNTING PLATE
(EXCESSIVE AMOUNTS
MAY HINDER THE HOOD
SEALING TO DOOR)

GENERAL NOTES:

1. THIS ENGINEERING REPORT DOCUMENTS THE ANALYSIS OF VERTICAL MOUNT HOOD AND THE ASSOCIATED ANCHORING SYSTEMS TO RESIST DEAD WEIGHT AND WIND LOAD FORCES.
2. THE ANALYSIS CONFORMS TO THE REQUIREMENTS OF THE FLORIDA BUILDING CODE 6TH EDITION (2017) & 7TH EDITION (2020) AND ASCE 7-10.
3. THE HOOD IS MOUNTED ON AN EXTERIOR DOOR OF COMMERCIAL GRADE STEEL WITH SOLID CORE WITH MINIMUM 16 GA (.060") WITH MIN. Fy=36.5 KSI AND 16 GA. DOOR FRAME. (UNDER SEPERATE APPROVAL)
4. THE HOOD IS SECURED TO A MOUNTING FRAME WHICH IS ANCHORED TO THE DOOR. THE MOUNTING FRAME IS ANCHORED AS SHOWN. THESE ANCHORS ARE TYPICALLY MANUFACTURED FROM HEAT-TREATED STEEL AND HAVE CORROSION RESISTANCE AS SPECIFIED BY THE MANUFACTURER.
5. LOCATION AND ANCHOR MOUNTING HOLES ARE DEFINED IN THE MANUFACTURER'S TECHNICAL LITERATURE.
6. DESIGN PLANNED DP FROM THIS COMPONENT APPROVAL OR APPROVED IMPACTED STEEL BOM SHALL CONTROL.
7. ELECTRICAL FUNCTIONS, OPERATION AND GROUNDING ARE NOT PART OF THIS APPROVAL TO BE REVIEWED BY BUILDING INSPECTOR.
8. THE HOOD MOUNT IS REVIEWED FOR WIND LOAD ONLY. ANY SAFETY RELATED ISSUE IS NOT PART OF THIS APPROVAL.



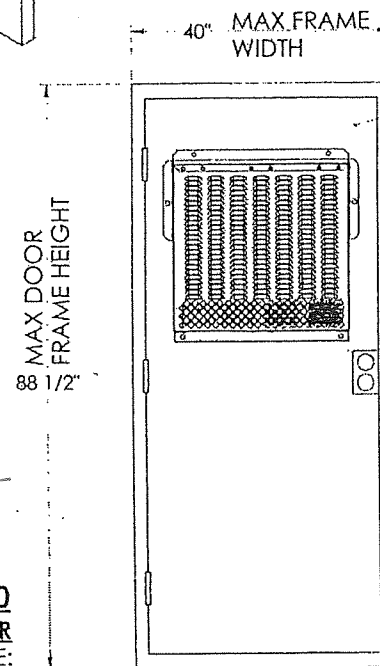
DOOR SHOWN FOR
ILLUSTRATION ONLY
(SEE SEPARATE INFO
SHEET FOR DETAIL)



WAC-HOOD COMPONENT APPROVAL

Approved as complying with the
Florida Building Code
Date Nov 19, 2025
NOA# 20-0519.02
Miami Dade Product Control
By Ishag I. Chamba

MODEL# VENT-HOOD - WAC2000
DIMENSIONS, WEIGHT DOOR, TYPE, & ANCHOR
HEIGHT 29" MOUNTING FRAME SIDE:
WIDTH 27 1/8" SIDE: "D" (2) ANCHORS
DEPTH 8 1/4" TOP: "D" (2) ANCHORS
WEIGHT ... 59 LBS BOTTOM: (2) ANCHORS
"D" = 5/16"-18 X 2 1/2" CARRIAGE BOLTS

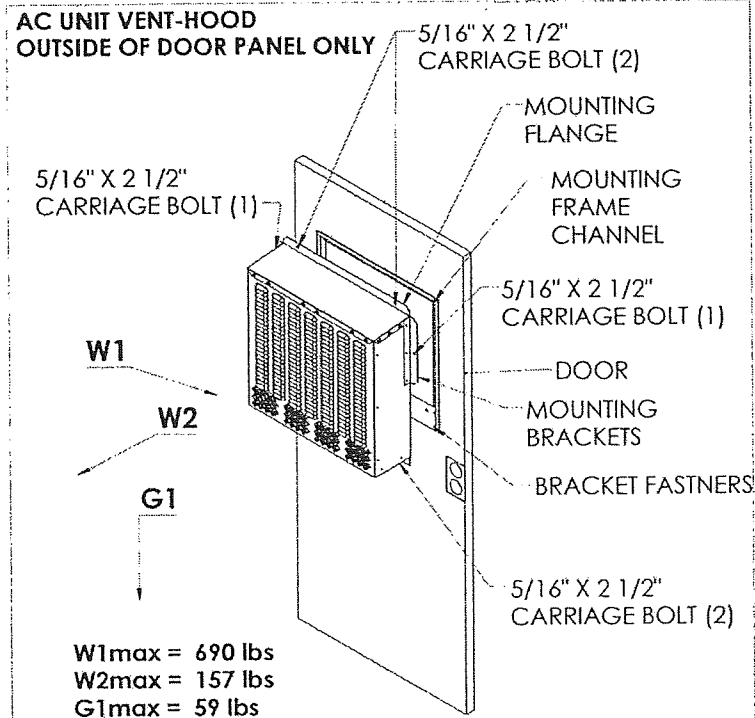


DOOR PRESSURE (COMPONENT APPROVAL)
100 PSF

- 16 GA. DOOR SYSTEM UNDER SEPARATE APPROVAL MIN DOOR SYSTEM REQUIREMENT
1. 16 GA STEEL DOOR Fy MIN. = 41 KSI
 2. 16 GA STEEL DOOR FRAME
 3. MIN. (3) HINGES 4.5"x4.5" X .134" BOLT
 - 4.1 LATCH THROW - 3/4" MIN.
 - 4.2 DEAD BOLT THROW = 1" MIN.

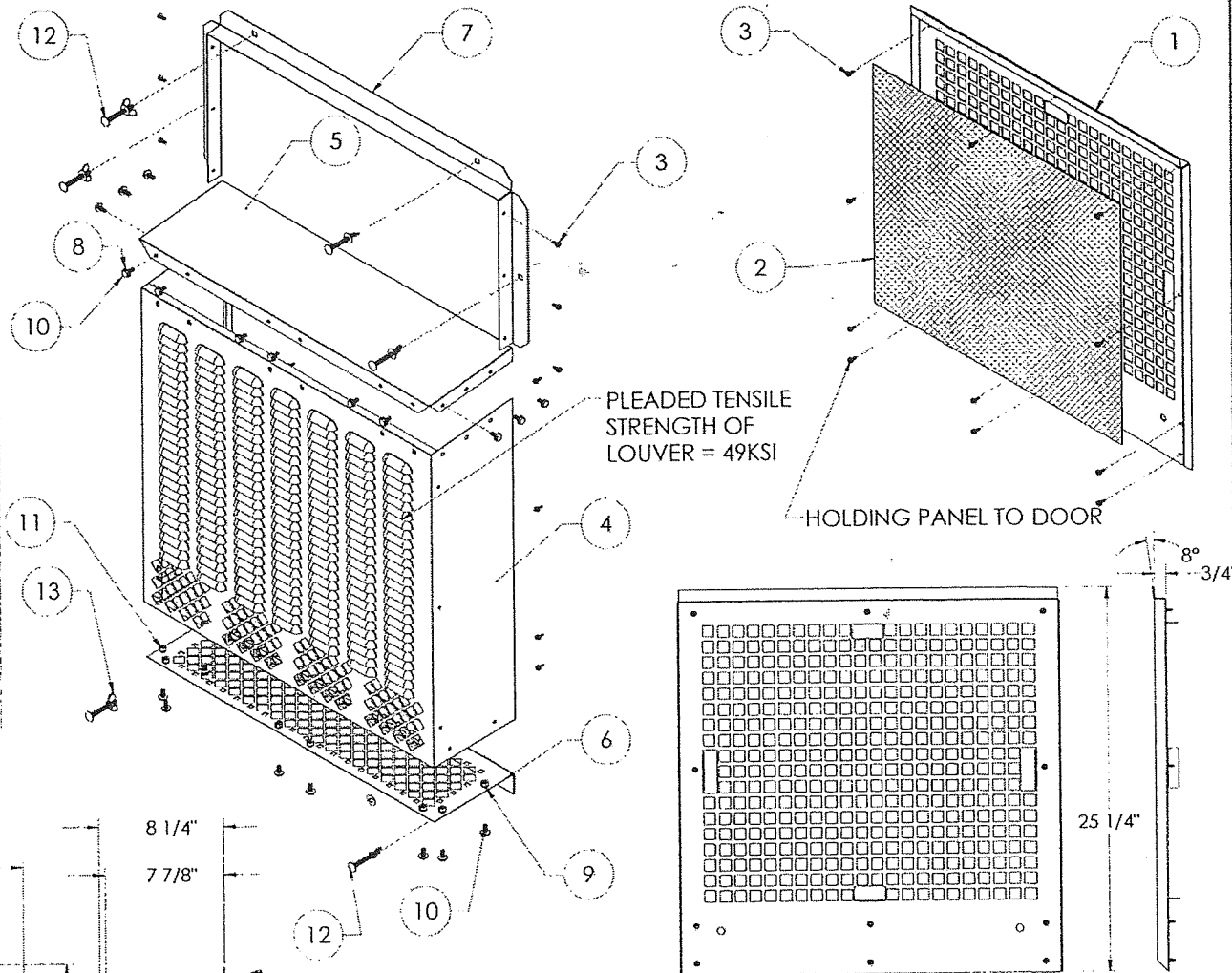
BRI-KO ENGINEERING, INC. (ENCL. OF AUTH. #27622)
ENGINEERING SERVICES
email: briko@reagan.com
tel: 954-648-6218
SIGNED: *[Signature]*
BRIAN I SCHWARTZ, PE DATE: NOV 15 2020
FLORIDA LIC No. 62081

| | | |
|-----------|---------------------------------------|---|
| 03" | VENT-HOOD WAC2000 | |
| | VENT-HOOD WAC 2000 HURRICANE APPROVAL | |
| 7/13/2020 | ID01644 PG 1of2 | 0 |



W1max = 690 lbs
W2max = 157 lbs
G1max = 59 lbs

| ITEM NO. | PART NUMBER | DESCRIPTION | QTY. |
|----------|-------------|--|------|
| 1 | MD12840 | SCREEN - EXHAUST HOOD | 2 |
| 2 | MD14479 | MOUNTING PANEL - EXHAUST HOOD | 2 |
| 3 | 92855 | #10 x 1/2" LG SHEET METAL SCREW | 23 |
| 4 | MD14540 | FRONT WRAP - EXHAUST HOOD | 1 |
| 5 | MD14017 | TOP PANEL - EXHAUST HOOD | 1 |
| 6 | MD14539 | BOTTOM PANEL - EXHAUST HOOD | 1 |
| 7 | MD13928 | FLORIDA MOUNTING FLANGE | 1 |
| 8 | 92890 | WASHER FLAT 1/4 18-8-SS | 20 |
| 9 | 92889 | WASHER LOCK 1/4 18-8-SS | 20 |
| 10 | 92891 | BOLT 1/4-20x5/8 SS 18-8 | 20 |
| 11 | 92264 | NUT 1/4"-20 18-8-SS FHN | 20 |
| 12 | 92880 | BOLT 5/16-18X2 1/2 SS RD HD CARRAIGE 18-8-SS | 6 |
| 13 | 92892 | NUT, WING 5/16-18 18-8-SS | 6 |



LATERAL FORCE (SLIDING):

1. THE WIND LOAD ACTING ON THE SIDE OF THE HOOD AND THE DEAD LOAD DOWNWARD.
2. THIS LATERAL FORCE MUST BE RESISTED BY THE SHEAR STRENGTH OF THE SUM OF THE ANCHORS. THE ANCHORS IN THE SUPPORT BRACKET ARE NOT USED IN THE CALCULATIONS.

MOMENT FORCE (OVERTURN):

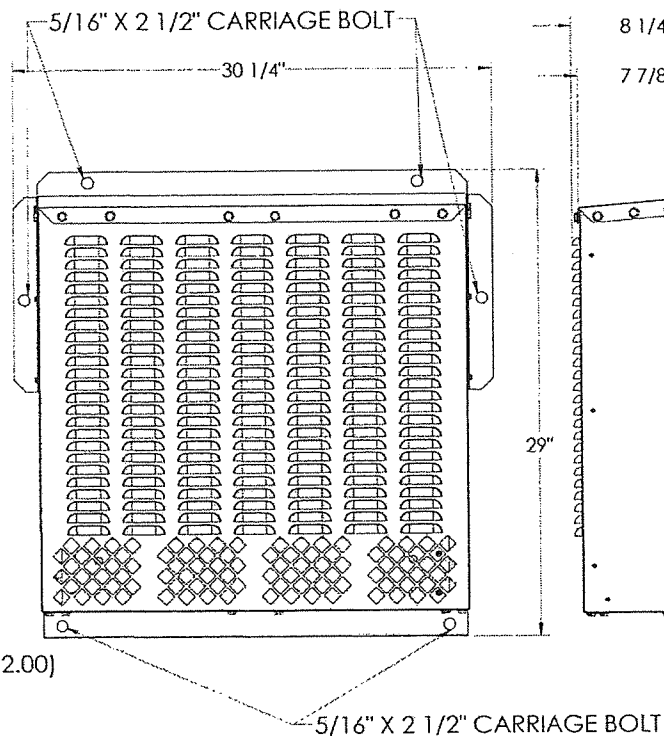
3. THE WIND LOAD ACTING ON THE SIDE AND FRONT OF THE HOOD WILL PIVOT THE HOOD ABOUT THE SIDE. THE FRONT WIND LOAD AND THE DEAD LOAD WILL PIVOT ABOUT THE BOTTOM. A SUM OF VECTORS IS ALSO CALCULATED.
4. THIS PIVOTING FORCE MUST BE RESISTED BY THE WITHDRAWAL STRENGTH OF THE SUM OF THE ANCHORS.

CLEARANCES:

5. ANCHOR INTO DOOR SKIN MUST BE (5/16" DIA.)

ANCHOR STRENGTH:Ω

6. LATERAL AND WITHDRAWAL STRENGTHS OF THE DESIGNATED ANCHORS. (RATED LOADS ARE PER SINGLE ANCHOR USING ASD ALLOWABLE STRESS DESIGN. NOTE: FOR LRFD DESIGN ANALYSIS, VALUES X 1.5)
5/16" DIA RATED SHEAR = 600 LBS RATED TENSION = 1000 LBS
(RATED VALUES BASED ON AISC 360-10: MAT'L SS-A307 WITH FNV = 27KSI, FNT = 45KSI, ASD ALLOWABLE VALUE = RN/Ω WHERE Ω=2.00)



Approved as complying with the Florida Building Code
Date Nov 19, 2020
NOA# 20-0519-02
Miami Dade Product Control
By Ishag L. Ghannouchi

(3) 92855 #10-16 x 5/8" 410 SS SCREWS ON 5" C USED ON EACH SIDE (6 TOTAL) TO SECURE FLANGE TO HOOD ASSY AT FACTORY

MD/13928
MAT'L 20 GA (.035") PRE-PAINT

BRI-KO ENGINEERING, INC. [Cert. Of Auth.: #27622]
ENGINEERING SERVICES
email: briko@Reagan.com
tel: 954-648-6218
SIGNED Brian I. Schwartz
DATE: NOV 5 2020
BRIAN I SCHWARTZ, PE
FLORIDA LIC No. 62081

| | | |
|-----|----------------------------------|---------------------|
| 03" | VENT-HOOD WAC2000 | |
| | VENT-HOOD WAC HURRICANE APPROVAL | |
| 1" | 7/13/2020 | ID01644 PG 2 of 2 0 |