



DEPARTMENT OF REGULATORY AND ECONOMIC RESOURCES (RER)  
BOARD AND CODE ADMINISTRATION DIVISION

**NOTICE OF ACCEPTANCE (NOA)**

MIAMI-DADE COUNTY  
PRODUCT CONTROL SECTION  
11805 SW 26 Street, Room 208  
T (786) 315-2590 F (786) 315-2599  
[www.miamidade.gov/economy](http://www.miamidade.gov/economy)

**CGI Windows and Doors. Inc.**  
3780 W. 103<sup>rd</sup> Street  
Hialeah, FL 33018

**SCOPE:**

This NOA is being issued under the applicable rules and regulations governing the use of construction materials. The documentation submitted has been reviewed and accepted by Miami-Dade County RER-Product Control Section to be used in Miami-Dade County and other areas where allowed by the Authority Having Jurisdiction (AHJ).

This NOA shall not be valid after the expiration date stated below. The Miami-Dade County Product Control Section (In Miami Dade County) and/or the AHJ (in areas other than Miami Dade County) reserve the right to have this product or material tested for quality assurance purposes. If this product or material fails to perform in the accepted manner, the manufacturer will incur the expense of such testing and the AHJ may immediately revoke, modify, or suspend the use of such product or material within their jurisdiction. RER reserves the right to revoke this acceptance, if it is determined by Miami-Dade County Product Control Section that this product or material fails to meet the requirements of the applicable building code.

This product is approved as described herein and has been designed to comply with the Florida Building Code, including the High Velocity Hurricane Zone.

**DESCRIPTION: Series "AW7400" White PVC Project Out Window – L.M.I.**

**APPROVAL DOCUMENT:** Drawing No. **7400NOA-1 Rev A** (former **W13-25 Rev E**), titled "Series 7400AWN/ PVC Project Out Wdw. (L.M.I./S.M.I.)", sheets 1 through 9 of 9, dated 05/22/20, prepared by manufacturer, signed and sealed by Lynn Miller, P.E., bearing the Miami-Dade County Product Control Revision stamp with the Notice of Acceptance number and expiration date by the Miami-Dade County Product Control Section.

**MISSILE IMPACT RATING: Large and Small Missile Impact Resistant**

**LABELING:** Each unit shall bear a permanent label with the manufacturer's name or logo, city, state, model/series, and following statement: "Miami-Dade County Product Control Approved", unless otherwise noted herein.

**RENEWAL** of this NOA shall be considered after a renewal application has been filed and there has been no change in the applicable building code negatively affecting the performance of this product.

**TERMINATION** of this NOA will occur after the expiration date or if there has been a revision or change in the materials, use, and/or manufacture of the product or process. Misuse of this NOA as an endorsement of any product, for sales, advertising or any other purposes shall automatically terminate this NOA. Failure to comply with any section of this NOA shall be cause for termination and removal of NOA.

**ADVERTISEMENT:** The NOA number preceded by the words Miami-Dade County, Florida, and followed by the expiration date may be displayed in advertising literature. If any portion of the NOA is displayed, then it shall be done in its entirety.

**INSPECTION:** A copy of this entire NOA shall be provided to the user by the manufacturer or its distributors and shall be available for inspection at the job site at the request of the Building Official.

This NOA **revises NOA No. 19-0102.05** and consists of this page 1 and evidence pages E-1, E-2, E-3, E-4, E-5 and E-6, as well as approval document mentioned above.

The submitted documentation was reviewed by **Ishaq I. Chanda, P.E.**



*Ishaq I. Chanda*

**NOA No. 20-0528.06**  
**Expiration Date: February 20, 2024**  
**Approval Date: November 12, 2020**  
Page 1

**NOTICE OF ACCEPTANCE: EVIDENCE SUBMITTED**

**1. EVIDENCE SUBMITTED UNDER PREVIOUS NOA's**

**A. DRAWINGS**

1. Manufacturer's die drawings and sections.  
*(Submitted under NOA No. 13-1115.04)*
2. Drawing No. **W13-25**, titled "Series 'Targa 7400' PVC Project Out Wdw. (L.M.I./S.M.I.)", sheets 1 through 9 of 9, dated 05/21/13, with revision C dated 04/03/15, prepared by Al-Farooq Corporation, signed and sealed by Javad Ahmad, P.E.

**B. TESTS**

1. Test reports on: 1) Uniform Static Air Pressure Test, Loading per FBC TAS 202-94  
2) Large Missile Impact Test per FBC, TAS 201-94  
3) Cyclic Wind Pressure Loading per FBC, TAS 203-94  
along with marked-up drawings and installation diagram of a series 7500 PVC fixed window, to qualify DuPont "Butacite" PVB interlayer, Duraseal® and Super Spacer® insulating glass spacer, prepared by Certified Test Laboratories, Test Report No. **CTLA-3056 WA**, dated 03/03/15, signed and sealed by Ramesh C. Patel, P.E.
2. Test reports on: 1) Uniform Static Air Pressure Test, Loading per FBC TAS 202-94  
2) Large Missile Impact Test per FBC, TAS 201-94  
3) Cyclic Wind Pressure Loading per FBC, TAS 203-94  
along with marked-up drawings and installation diagram of a series 7400 PVC project out window, to qualify DuPont "Butacite" PVB interlayer, Duraseal® and Super Spacer® insulating glass spacer, prepared by Certified Test Laboratories, Test Report No. **CTLA-3056 WB**, dated 03/03/15, signed and sealed by Ramesh C. Patel, P.E.
3. Test reports on: 1) Uniform Static Air Pressure Test, Loading per FBC TAS 202-94  
2) Large Missile Impact Test per FBC, TAS 201-94  
3) Cyclic Wind Pressure Loading per FBC, TAS 203-94  
along with marked-up drawings and installation diagram of a series 238 aluminum fixed window, to qualify DuPont "Butacite" PVB interlayer, Duraseal® and Super Spacer® insulating glass spacer, prepared by Certified Test Laboratories, Test Report No. **CTLA-3056 WC**, dated 04/16/15, signed and sealed by Ramesh C. Patel, P.E.
4. Test reports on: 1) Air Infiltration Test, per FBC, TAS 202-94  
2) Uniform Static Air Pressure Test, Loading per FBC, TAS 202-94  
3) Water Resistance Test, per FBC, TAS 202-94  
4) Large Missile Impact Test per FBC, TAS 201-94  
5) Cyclic Wind Pressure Loading per FBC, TAS 203-94  
6) Forced Entry Test, per FBC 2411.3.2.1, and TAS 202-94  
along with marked-up drawings and installation diagram of extruded vinyl equal leg./fin/flange frame project out windows, prepared by Element Materials Technology., Test Report No. **CTLA-3032W** dated 09/05/14, signed and sealed by Ramesh C. Patel, P.E. *(Submitted under NOA No. 14-1204.06).*

*Ishaq I. Chanda*

---

**Ishaq I. Chanda, P.E.**  
**Product Control Unit Supervisor**  
**NOA No. 20-0528.06**  
**Expiration Date: February 20, 2024**  
**Approval Date: November 12, 2020**

**CGI Windows and Doors, Inc.**

**NOTICE OF ACCEPTANCE: EVIDENCE SUBMITTED**

**B. TESTS (CONTINUED)**

4. Test reports on: 1) Air Infiltration Test, per FBC, TAS 202-94  
2) Uniform Static Air Pressure Test, Loading per FBC, TAS 202-94  
3) Water Resistance Test, per FBC, TAS 202-94  
4) Large Missile Impact Test per FBC, TAS 201-94  
5) Cyclic Wind Pressure Loading per FBC, TAS 203-94  
6) Forced Entry Test, per FBC 2411.3.2.1, and TAS 202-94

along with marked-up drawings and installation diagram of extruded vinyl equal leg,fin/flange frame project out windows, prepared by Element Materials Technology, Test Report No. **EMT-ESP014635P**, dated 10/02/13, signed and sealed by Ramesh C. Patel, P.E. (*Submitted under NOA No. 13-1115.04*)

**C. CALCULATIONS (*Submitted under NOA No. 14-1204.06*)**

1. Anchor verification calculations and structural analysis, complying with **FBC 5<sup>th</sup> Edition (2014)**, dated 10/09/14, prepared by Al-Farooq Corporation, signed and sealed by Javad Ahmad, P.E.
2. Glazing complies with **ASTM E1300-09**

**D. QUALITY ASSURANCE**

1. Miami-Dade Department of Regulatory and Economic Resources (RER).

**E. MATERIAL CERTIFICATIONS**

1. Notice of Acceptance No. **14-0916.11** issued to **Kuraray America, Inc.** for their “**SentryGlas® (Clear and White) Glass Interlayers**” dated 06/25/15, expiring on 07/04/18.
2. Notice of Acceptance No. **14-0423.15** issued to **Eastman Chemical Company (MA)** for their “**Saflex CP – Saflex and Saflex HP Composite Glass Interlayers with PET Core**” dated 06/19/14, expiring on 12/11/18.
3. Notice of Acceptance No. **14-0916.10** issued to **Kuraray America, Inc.** for their “**Butacite® PVB Glass Interlayer**” dated 04/25/15, expiring on 12/11/16.
4. Notice of Acceptance No. **14-0423.17** issued to **Eastman Chemical Company (MA)** for their “**Saflex Clear and Color Glass Interlayers**” dated 06/19/14, expiring on 05/21/16.
5. Notice of Acceptance No. **13-1203.02** issued to Deceuninck North America, LLC for their “**White Rigid PVC Exterior Extrusions for Windows and Doors**” dated 02/20/14, expiring on 02/19/19.

*Ishaq I. Chanda*

---

**Ishaq I. Chanda, P.E.**  
**Product Control Unit Supervisor**  
**NOA No. 19-0102.05**  
**Expiration Date: February 20, 2024**  
**Approval Date: November 12, 2020**

**CGI Windows and Doors, Inc.**

**NOTICE OF ACCEPTANCE: EVIDENCE SUBMITTED**

**F. STATEMENTS**

1. Statement letter of conformance, complying with **FBC 5<sup>th</sup> Edition (2014)**, and of no financial interest, dated October 9, 2014, issued by Al-Farooq Corporation, signed and sealed by Javad Ahmad, P.E.  
*(Submitted under NOA No. 14-1204.06)*
2. Approved Proposal issued by Product Control Section, dated 06/10/14, signed by Jaime Gascon, P.E., Supervisor, Product Control Section.  
*(Submitted under NOA No. 14-1204.06)*
3. Test Proposal for the qualification of **Butacite®** PVB glass interlayer by Kuraray America, Inc., as well as **Duraseal®** and **Super Spacer® Standard** warm-edge flexible insulating glass spacers, dated December 16, 2014, issued by RER, Product Control Section, signed by Jaime Gascon, P.E., Supervisor, Product Control Section.

**G. OTHERS**

1. Notice of Acceptance No. **14-1204.06**, issued to CGI Windows & Doors for their Series “Targa 7400” White PVC Project-Out Window - L.M.I., approved on 03/26/15 and expiring on 02/20/19.

**2. EVIDENCE SUBMITTED PREVIOUS NOA**

**A. DRAWINGS**

1. Drawing No. **W13-25**, titled “Series ‘Targa 7400’ PVC Project Out Wdw. (L.M.I./S.M.I.)”, sheets 1 through 9 of 9, dated 05/21/13, with revision **E** dated 01/08/18, prepared by Al-Farooq Corporation, signed and sealed by Javad Ahmad, P.E.

**B. TESTS**

1. Anchor verification calculations and structural analysis, complying with **FBC 6<sup>th</sup> Edition (2017)**, dated 09/07/17 revised on 01/08/18, prepared by Al-Farooq Corporation, signed and sealed by Javad Ahmad, P.E.

**C. CALCULATIONS**

1. None.

**D. QUALITY ASSURANCE**

1. Miami-Dade Department of Regulatory and Economic Resources (RER)

**E. MATERIAL CERTIFICATIONS**

1. Notice of Acceptance No. **17-0808.02** issued to **Kuraray America, Inc.** for their “**SentryGlas® (Clear and White) Glass Interlayers**” dated 12/28/17, expiring on 07/04/23.
2. Notice of Acceptance No. **17-0712.03** issued to **Eastman Chemical Company (MA)** for their “**Saflex CP – Saflex and Saflex HP Composite Glass Interlayers with PET Core**” dated 09/07/17, expiring on 12/11/18.

*Ishaq I. Chanda*

---

Ishaq I. Chanda, P.E.  
Product Control Unit Supervisor  
NOA No. 20-0528.06  
Expiration Date: February 20, 2024  
Approval Date: November 12, 2020

**CGI Windows and Doors, Inc.**

**NOTICE OF ACCEPTANCE: EVIDENCE SUBMITTED**

**F. MATERIAL CERTIFICATIONS (continue)**

3. Notice of Acceptance No. **16-1117.01** issued to **Kuraray America, Inc.** for their “**Trosifol® Ultraclear, Clear and Color PVB Interlayers**” dated 01/19/17, expiring on 07/08/19.
4. Notice of Acceptance No. **17-0712.05** issued to **Eastman Chemical Company (MA)** for their “**Saflex Clear and Color Glass Interlayers**” dated 09/07/17, expiring on 05/21/21.

**F. STATEMENTS**

1. Statement letter of conformance, complying with **FBC 5<sup>th</sup> Edition (2014)**, with **FBC 6<sup>th</sup> Edition (2017)** and of no financial interest, dated July 7, 2017, issued by Al-Farooq Corporation, signed and sealed by Javad Ahmad, P.E.

**G. OTHERS**

1. Notice of Acceptance No. **15-0512.20**, issued to CGI Windows and Doors, Inc. for their Series “**Targa 7400**” White PVC Project Out Window - L.M.I., approved on 09/17/15 and expiring on 02/20/19.

**3. EVIDENCE SUBMITTED PREVIOUS APPROVAL**

**A. DRAWINGS**

1. Drawing No. **W13-25**, titled “Series ‘**Targa 7400**’ PVC Project Out Wdw. (L.M.I./S.M.I.)”, sheets 1 through 9 of 9, dated 05/21/13, with revision **E** dated 01/08/18, prepared by Al-Farooq Corporation, signed and sealed by Javad Ahmad, P.E. (submitted under file #**17-1011.09**)

**B. TESTS**

1. None.

**C. CALCULATIONS**

1. None.

**D. QUALITY ASSURANCE**

1. Miami-Dade Department of Regulatory and Economic Resources (RER)

**E. MATERIAL CERTIFICATIONS**

1. Notice of Acceptance No. **17-0808.02** issued to **Kuraray America, Inc.** for their “**SentryGlas® (Clear and White) Glass Interlayers**”, expiring on 07/04/23.
2. Notice of Acceptance No. **18-0301.06** issued to **Eastman Chemical Company (MA)** for their “**Saflex CP – Saflex and Saflex HP Composite Glass Interlayers with PET Core**” dated 05/17/18, expiring on 12/11/23.
3. Notice of Acceptance No. **16-1117.01** issued to **Kuraray America, Inc.** for their “**Trosifol® Ultraclear, Clear and Color PVB Interlayers**”, expiring on 07/08/19.
4. Notice of Acceptance No. **17-0712.05** issued to **Eastman Chemical Company (MA)** for their “**Saflex Clear and Color Glass Interlayers**” dated 09/07/17, expiring on 05/21/21.

*Ishaq I. Chanda*

---

**Ishaq I. Chanda, P.E.**  
**Product Control Unit Supervisor**  
**NOA No. 20-0528.06**  
**Expiration Date: February 20, 2024**  
**Approval Date: November 12, 2020**

**CGI Windows and Doors, Inc.**

**NOTICE OF ACCEPTANCE: EVIDENCE SUBMITTED**

**F. STATEMENTS**

1. Statement letter of conformance, complying with **FBC 5<sup>th</sup> Edition (2014)**, with **FBC 6<sup>th</sup> Edition (2017)** and of no financial interest, dated July 7, 2017, issued by Al-Farooq Corporation, signed and sealed by Javad Ahmad, P.E.(submitted under file #17-1011.09)

**G. OTHERS**

1. Notice of Acceptance No. **17-1011.09**, issued to CGI Windows and Doors, Inc. for their Series “Targa 7400” White PVC Project Out Window - L.M.I., expiring on 02/20/19.

**4. New Evidence submitted**

**A. DRAWINGS**

1. Drawing No. **7400NOA-1 Rev A (former W13-25 Rev E)**, titled “Series 7400AWN/ PVC Project Out Wdw. (L.M.I./S.M.I.)”, sheets 1 through 9 of 9, dated 05/22/20, prepared by manufacturer, signed and sealed by Lynn Miller, P.E.

**B. TESTS**

1. Test reports on: 1) Air Infiltration Test, per FBC, TAS 202-94  
2) Uniform Static Air Pressure Test, Loading per FBC, TAS 202-94  
3) Water Resistance Test, per FBC, TAS 202-94  
4) Large Missile Impact Test per FBC, TAS 201-94  
5) Cyclic Wind Pressure Loading per FBC, TAS 203-94

along with marked-up drawings and installation diagram of all CGI Windows and Doors, Inc. and PGT Industries, Inc., representative units listed below and tested to qualify **Dowsil 791** and **Dowsil 983** silicones, per Proposal #19-1155TP, prepared by Fenestration Testing Laboratory, Inc., Test Reports No.:

**CGI Windows and Doors Inc. test specimens:**

**FTL-20-2108.1**, CGI SH360 Aluminum Single Hung Window (unit 1 in proposal) **FTL-20-2108.2**, CGI CA238 Alum. Outswing Casement Window (unit 2 in proposal) **FTL-20-2108.3**, CGI SGD560 Aluminum Sliding Glass Door (unit 3 in proposal) **FTL-20-2108.4**, CGI PW410 Aluminum Fixed Window (unit 4 in proposal) and **FTL-20-2108.5**, CGI SH360 Aluminum Single Hung Window (unit 5 in proposal)all dated 08/24/20 and signed and sealed by Idalmis Ortega, P.E.

**PGT Industries, Inc. test specimens:**

**FTL-7897**, PGT PW5520 PVC Fixed Window (unit 6 in proposal), dated 09/03/14  
**FTL-20-2107.1**, PGT SGD780 Aluminum Sliding Glass Door (unit 7 in proposal) **FTL-20-2107.2**, PGT CA740 Alum. Outswing Casement Window (unit 8 in proposal) **FTL-20-2107.3**, PGT PW7620A Aluminum Fixed Window (unit 9 in proposal) and **FTL-20-2107.4**, PGT PW7620A Aluminum Fixed Window (unit 10 in proposal) all dated 07/13/20 and signed and sealed by Idalmis Ortega, P.E.

Ishaq I. Chanda

---

**Ishaq I. Chanda, P.E.**  
**Product Control Unit Supervisor**  
**NOA No. 20-0528.06**  
**Expiration Date: February 20, 2024**  
**Approval Date: November 12, 2020**



**NOTICE OF ACCEPTANCE: EVIDENCE SUBMITTED**

**C. CALCULATIONS**

1. Anchor verification calculations and structural analysis, complying with **FBC 7<sup>th</sup> Edition (2020)**, dated 05/22/20, prepared by manufacturer, signed and sealed by Anthony Lynn Miller, P.E.
2. Glazing complies with **ASTM E1300-04, -09, -12 and -16**.

**D. QUALITY ASSURANCE**

1. Miami Dade Department of Regulatory and Economic Resources (RER).

**E. MATERIAL CERTIFICATIONS**

1. Notice of Acceptance No. **17-0808.02** issued to **Kuraray America, Inc.** for their “**SentryGlas® (Clear and White) Glass Interlayers**”, expiring on 07/04/23.
2. Notice of Acceptance No. **18-0301.06** issued to **Eastman Chemical Company (MA)** for their “**Saflex CP – Saflex and Saflex HP Composite Glass Interlayers with PET Core**” dated 05/17/18, expiring on 12/11/23.
3. Notice of Acceptance No. **19-0305.02** issued to **Kuraray America, Inc.** (Former E.I. DuPont DE Nemours & Co., Inc. for the “**Kuraray Trofosil Ultra clear and color PVB Interlayer (Former Kuraray Butacite® PVB interlayer)**”, expiring on 07/08/24.
4. Notice of Acceptance No. **17-0712.05** issued to **Eastman Chemical Company (MA)** for their “**Saflex Clear and Color Glass Interlayers**” dated 09/07/17, expiring on 05/21/21.

**F. STATEMENTS**

1. Statement letters of conformance to FBC 2020(**7<sup>th</sup>** Edition), dated 04/20/20, prepared, signed & sealed by Lynn Miller, P. E.
2. Notification of Successor Engineer per the Florida Administrative Code Section 61G15-27.001, notifying original engineer that the successor engineer is assuming full professional and legal responsibility for all engineering documents pertaining to this NOA, dated 06/12/20, signed and sealed by A. Lynn Miller, P.E

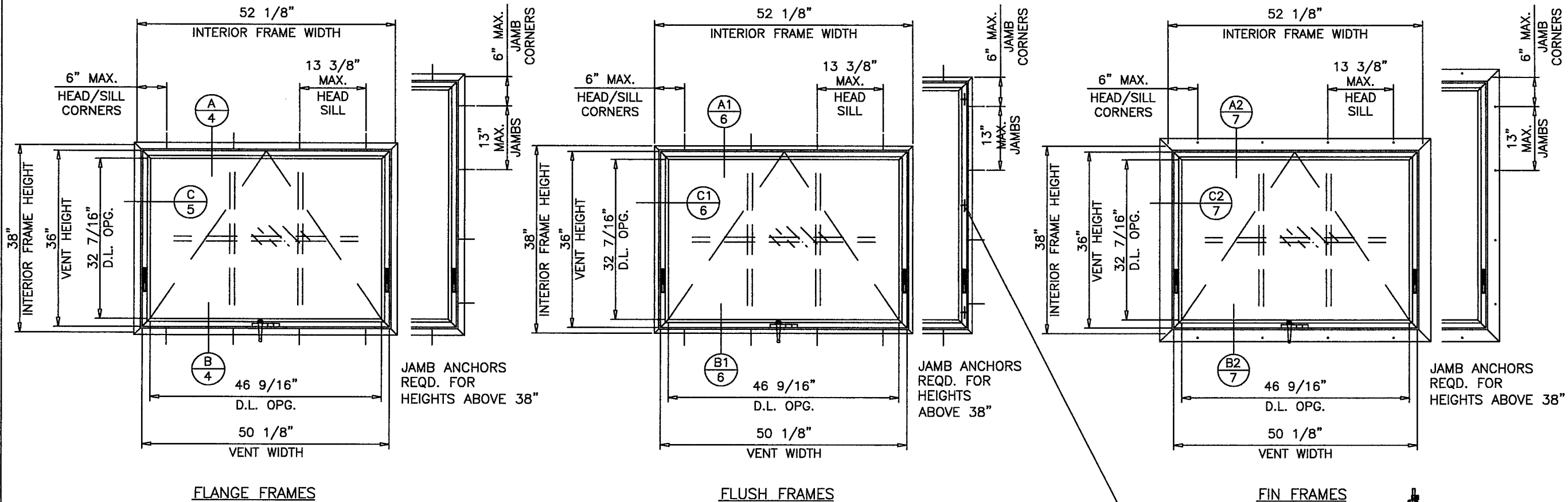
**G. OTHER**

1. This NOA revises **NOA #19-0102.05** and updates to FBC 2020, expiring 11/20/24.
2. RER Test proposals **#19-1155** dated 01/10/20 approved by Ishaq I. Chanda, P.E.

*Ishaq I. Chanda*

---

**Ishaq I. Chanda, P.E.**  
**Product Control Unit Supervisor**  
**NOA No. 20-0528.06**  
**Expiration Date: February 20, 2024**  
**Approval Date: November 12, 2020**



TYPICAL ELEVATIONS

**SERIES 'TARGA 7400' WHITE PVC PROJECT OUT WINDOW**

DESIGN LOAD RATINGS FOR THESE WINDOWS TO BE AS PER CHARTS SHOWN ON SHEET 2.

APPROVAL APPLIES TO SINGLE UNITS OR SIDE BY SIDE COMBINATIONS OF P.O./P.O. OR PROJECT-OUT WITH OTHER WINDOW TYPES IN MODULES OF TWO OR MORE WINDOWS USING MIAMI-DADE COUNTY APPROVED CLIPPED MULLIONS IN BETWEEN. LOWER DESIGN PRESSURE FROM WINDOWS OR MULLION APPROVAL WILL APPLY TO ENTIRE SYSTEM.

THIS PRODUCT HAS BEEN DESIGNED AND TESTED TO COMPLY WITH THE REQUIREMENTS OF THE 2017 (6TH EDITION)/2020 (7TH EDITION) FLORIDA BUILDING CODE INCLUDING HIGH VELOCITY HURRICANE ZONE (HVHZ).

1BY OR 2BY WOOD BUCKS & BUCK FASTENERS BY OTHERS, MUST BE DESIGNED AND INSTALLED ADEQUATELY TO TRANSFER APPLIED PRODUCT LOADS TO THE BUILDING STRUCTURE.

ANCHORS SHALL BE CORROSION RESISTANT, SPACED AS SHOWN ON DETAILS AND INSTALLED PER MANUF'S INSTRUCTIONS. SPECIFIED EMBEDMENT TO BASE MATERIAL SHALL BE BEYOND WALL DRESSING OR STUCCO.

A LOAD DURATION INCREASE IS USED IN DESIGN OF ANCHORS INTO WOOD ONLY.

ALL SHIMS TO BE HIGH IMPACT, NON-METALLIC AND NON-COMPRESSIBLE.

MATERIALS INCLUDING BUT NOT LIMITED TO STEEL/METAL SCREWS, THAT COME INTO CONTACT WITH OTHER DISSIMILAR MATERIALS SHALL MEET THE REQUIREMENTS OF THE 2017/2020 FLORIDA BUILDING CODE & ADOPTED STANDARDS.

THIS PRODUCT APPROVAL IS GENERIC AND DOES NOT PROVIDE INFORMATION FOR A SITE SPECIFIC PROJECT, i.e. LIFE SAFETY OF THIS PRODUCT, ADEQUACY OF STRUCTURE RECEIVING THIS PRODUCT AND SEALING AROUND OPENING FOR WATER INFILTRATION RESISTANCE ETC. CONDITIONS NOT SHOWN IN THIS DRAWING ARE TO BE ANALYZED SEPARATELY, AND TO BE REVIEWED BY BUILDING OFFICIAL.

**LAMINATED GLASS  
INSULATING LAMINATED GLASS  
LARGE & SMALL MISSILE IMPACT**

THESE WINDOWS ARE RATED FOR LARGE & SMALL MISSILE IMPACT. SHUTTERS ARE NOT REQUIRED.

DAYLITE OPENINGS:

DLO WIDTH = INTERIOR FRAME WIDTH - 5.563"  
DLO HEIGHT = INTERIOR FRAME HEIGHT - 5.563"

LOCKING POINTS  
SEE CHART

WDW. HEIGHT UPTO	NO. OF KEEPERS AT SASH
28"	1
52"	3

3 POINT LOCK

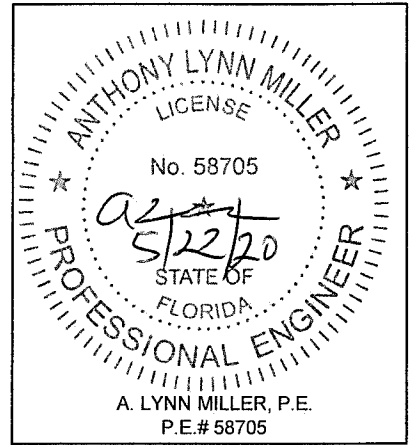


INDEX OF DRAWING	
SHEET NO.	DESCRIPTION
1	GEN. NOTES, FRAME ELEV.
2	WINDOWS CAPACITY CHARTS
3	GLAZING DETAILS
4 & 5	FLANGE FRAME DETAILS
6	FLUSH FRAME DETAILS
7	FIN FRAME DETAILS
8	BILL OF MATERIALS
9	EXTRUSION & CORNER DETAILS

**PRODUCT REVISED**  
as complying with the Florida Building Code  
NOA-No. 20-0528.06  
Expiration Date 02/20/2024  
By *Ishag I. Chank*  
Miami-Dade Product Control

Revision:  
REVISED FOR 2020 FBC,  
ADDED ANCHOR TYPE &  
REFORMATTED - JR -  
5/15/20

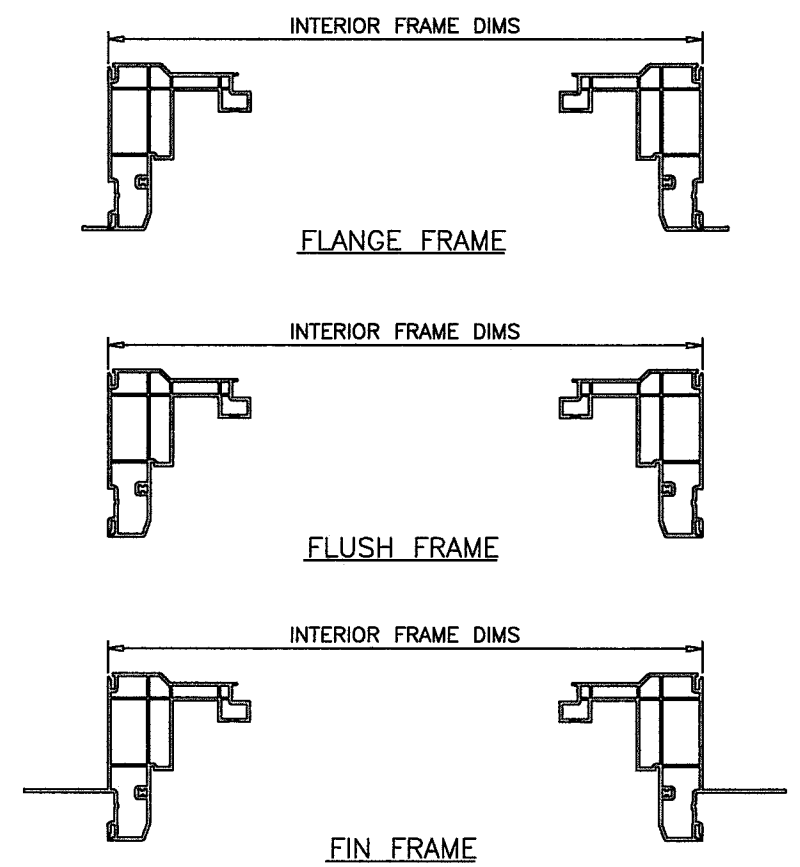
PREPARED BY A. LYNN MILLER 1070 TECHNOLOGY DRIVE N. VENICE, FL 34275 (941) 480-1600	REGISTRATION #29296	Date	05/15/20
	7400 PVC AWN / PROJECT-OUT WDW - LMI	By	J ROSOWSKI
<b>Impact Resistant Windows &amp; Doors</b> <b>WE'RE STRONGER™</b> CGI DOORS AND WINDOWS, INC. 3780 W 104TH STREET HIALEAH, FL 33018 (305) 593-6590	GEN. NOTES AND ELEVATIONS AW7400	Scale	NTS
		Sheet	1 OF 9
7400 PVC AWN / PROJECT-OUT WDW - LMI		DWG No.	7400NOA-1
A. LYNN MILLER, P.E. LICENSE No. 58705 STATE OF FLORIDA PROFESSIONAL ENGINEER		Rev.	A





DESIGN LOAD CAPACITY - PSF					
INTERIOR FRAME DIMENSIONS		GLASS TYPES 'A', 'A1'		GLASS TYPES 'B', 'B1'	
WIDTH	HEIGHT	EXT.(+)	INT.(-)	EXT.(+)	INT.(-)
18-1/8"	25"	60.0	60.0	75.0	75.0
25-1/2"		60.0	60.0	75.0	75.0
36"		60.0	60.0	75.0	75.0
52-1/8"		60.0	60.0	75.0	75.0
18-1/8"	29"	60.0	60.0	75.0	75.0
25-1/2"		60.0	60.0	75.0	75.0
36"		60.0	60.0	75.0	75.0
52-1/8"		60.0	60.0	75.0	75.0
18-1/8"	36"	60.0	60.0	75.0	75.0
25-1/2"		60.0	60.0	75.0	75.0
36"		60.0	60.0	75.0	75.0
52-1/8"		60.0	60.0	75.0	75.0
18-1/8"	38"	60.0	60.0	75.0	75.0
25-1/2"		60.0	60.0	75.0	75.0
36"		60.0	60.0	75.0	75.0
52-1/8"		60.0	60.0	75.0	75.0
18-1/8"	41"	60.0	60.0	75.0	75.0
25-1/2"		60.0	60.0	75.0	75.0
36"		60.0	60.0	75.0	75.0
52-1/8"		60.0	60.0	75.0	75.0
18-1/8"	47"	60.0	60.0	75.0	75.0
25-1/2"		60.0	60.0	75.0	75.0
36"		60.0	60.0	75.0	75.0
52-1/8"		60.0	60.0	75.0	75.0
18-1/8"	52-1/8"	60.0	60.0	75.0	75.0
25-1/2"		60.0	60.0	75.0	75.0
36"		60.0	60.0	75.0	75.0
52-1/8"		60.0	60.0	75.0	75.0

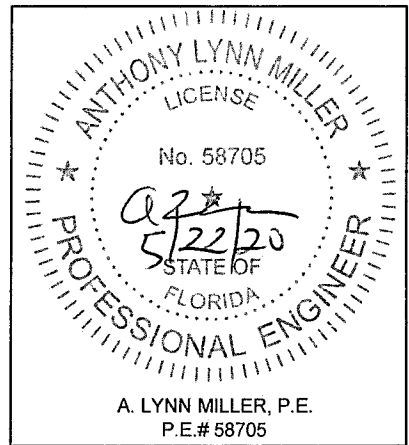
DESIGN LOAD CAPACITY - PSF					
INTERIOR FRAME DIMENSIONS		GLASS TYPES 'A', 'A1'		GLASS TYPES 'B', 'B1'	
WIDTH	HEIGHT	EXT.(+)	INT.(-)	EXT.(+)	INT.(-)
17"	17"	60.0	60.0	75.0	75.0
23"		60.0	60.0	75.0	75.0
29"		60.0	60.0	75.0	75.0
35"		60.0	60.0	75.0	75.0
41"		60.0	60.0	75.0	75.0
49"		60.0	60.0	75.0	75.0
52"		60.0	60.0	75.0	75.0
17"	23"	60.0	60.0	75.0	75.0
23"		60.0	60.0	75.0	75.0
29"		60.0	60.0	75.0	75.0
35"		60.0	60.0	75.0	75.0
41"		60.0	60.0	75.0	75.0
49"		60.0	60.0	75.0	75.0
52"		60.0	60.0	75.0	75.0
17"	29"	60.0	60.0	75.0	75.0
23"		60.0	60.0	75.0	75.0
29"		60.0	60.0	75.0	75.0
35"		60.0	60.0	75.0	75.0
41"		60.0	60.0	75.0	75.0
49"		60.0	60.0	75.0	75.0
52"		60.0	60.0	75.0	75.0
17"	35"	60.0	60.0	75.0	75.0
23"		60.0	60.0	75.0	75.0
29"		60.0	60.0	75.0	75.0
35"		60.0	60.0	75.0	75.0
41"		60.0	60.0	75.0	75.0
49"		60.0	60.0	75.0	75.0
52"		60.0	60.0	75.0	75.0
17"	38"	60.0	60.0	75.0	75.0
23"		60.0	60.0	75.0	75.0
29"		60.0	60.0	75.0	75.0
35"		60.0	60.0	75.0	75.0
41"		60.0	60.0	75.0	75.0
49"		60.0	60.0	75.0	75.0
52"		60.0	60.0	75.0	75.0
17"	41"	60.0	60.0	75.0	75.0
23"		60.0	60.0	75.0	75.0
29"		60.0	60.0	75.0	75.0
35"		60.0	60.0	75.0	75.0
41"		60.0	60.0	75.0	75.0
47"		60.0	60.0	74.7	74.7
52"		60.0	60.0	75.0	75.0
17"	47"	60.0	60.0	75.0	75.0
23"		60.0	60.0	75.0	75.0
29"		60.0	60.0	75.0	75.0
35"		60.0	60.0	75.0	75.0
17"	52"	60.0	60.0	74.7	74.7
23"		60.0	60.0	75.0	75.0
29"		60.0	60.0	75.0	75.0
35"		60.0	60.0	75.0	75.0
17"	52"	60.0	60.0	75.0	75.0
23"		60.0	60.0	75.0	75.0
29"		60.0	60.0	75.0	75.0
35"		60.0	60.0	75.0	75.0
17"	52"	60.0	60.0	72.9	72.9
23"		60.0	60.0	75.0	75.0
29"		60.0	60.0	75.0	75.0
35"		60.0	60.0	75.0	75.0



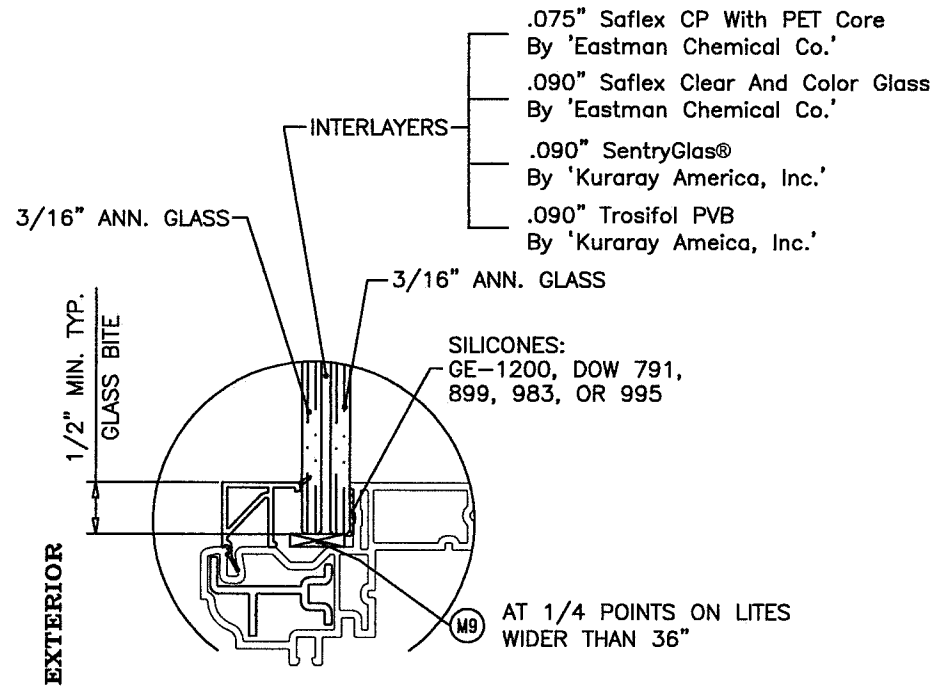
**PRODUCT REVISED**  
as complying with the Florida  
Building Code  
NOA-No. 20-0528.06  
Expiration Date 02/20/2024  
By *Isaac I. Chanda*  
Miami-Dade Product Control

NOTE:  
GLASS CAPACITIES ON THIS SHEET ARE  
BASED ON ASTM E1300-09 (3 SEC. GUSTS)  
AND FLORIDA BUILDING COMMISSION  
DECLARATORY STATEMENT DCA05-DEC-219

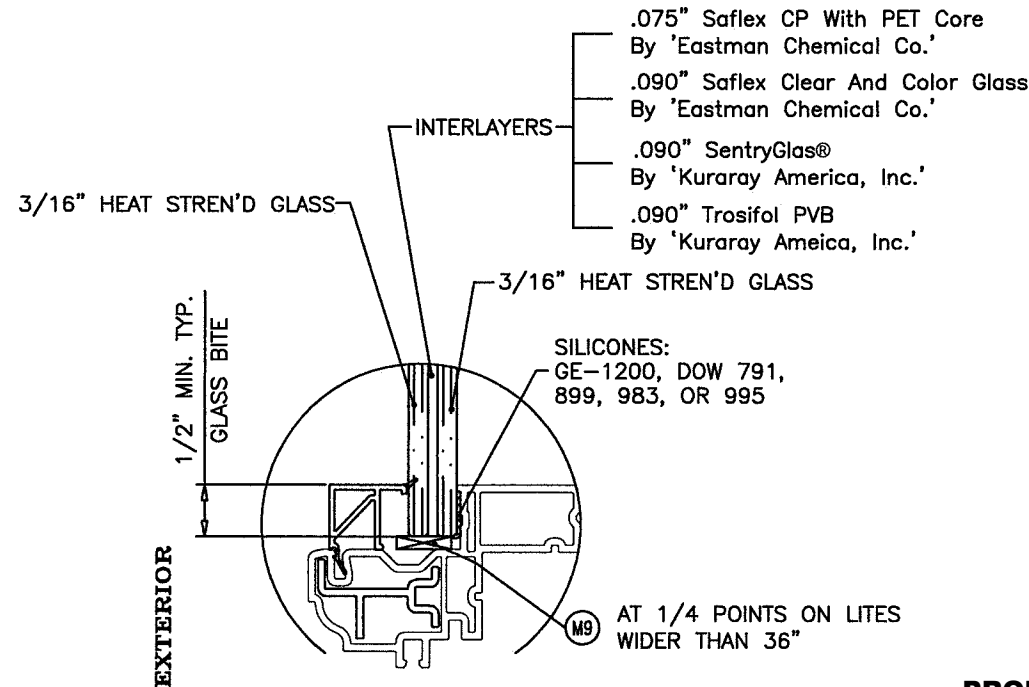

PREPARED BY A. LYNN MILLER 1070 TECHNOLOGY DRIVE N. VENICE, FL 34275 (941) 480-1600	REGISTRATION #29296 DATE 05/15/20	DRAWN BY J. ROSOWSKI NO. 7400NOA-1	REV. A
	7400 PVC AWN. / PROJECT-OUT WDW - LMI	SCALE NTS	SHEET 2 OF 9
Impact Resistant Windows & Doors WE'RE STRONGER™ CGI DOORS AND WINDOWS, INC. 3780 W 104TH STREET HIALEAH, FL 33018 (305) 593-6590	DESIGN PRESSURES AW7400	TITLE DESIGN PRESSURES	DWC No. 7400NOA-1



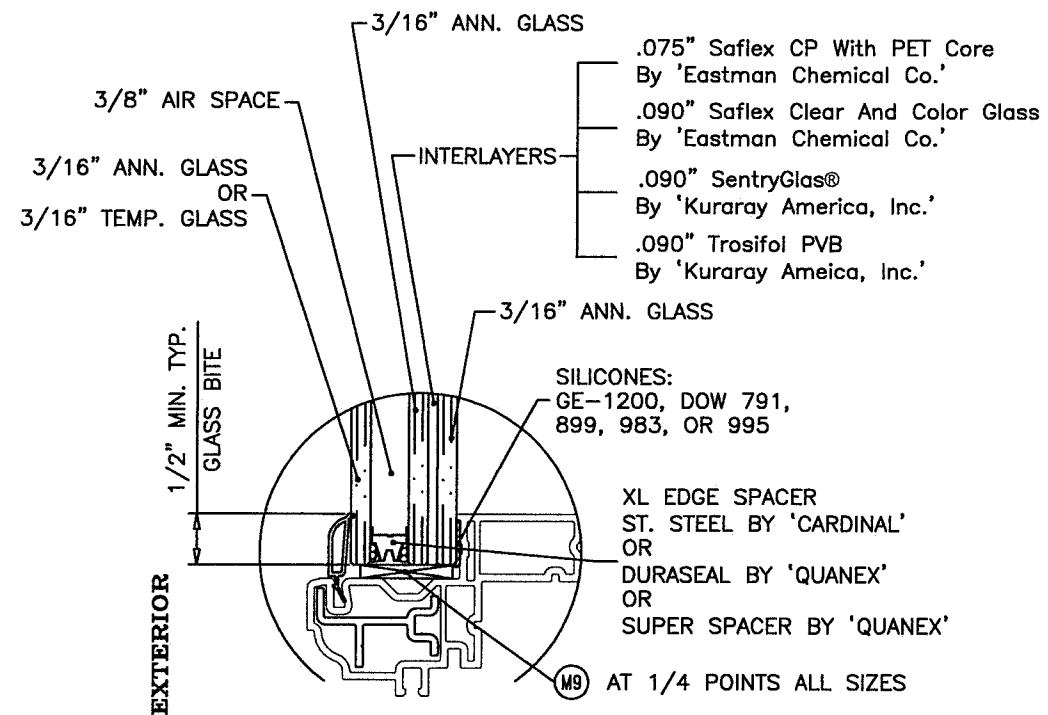
A. LYNN MILLER, P.E.  
P.E.# 58705



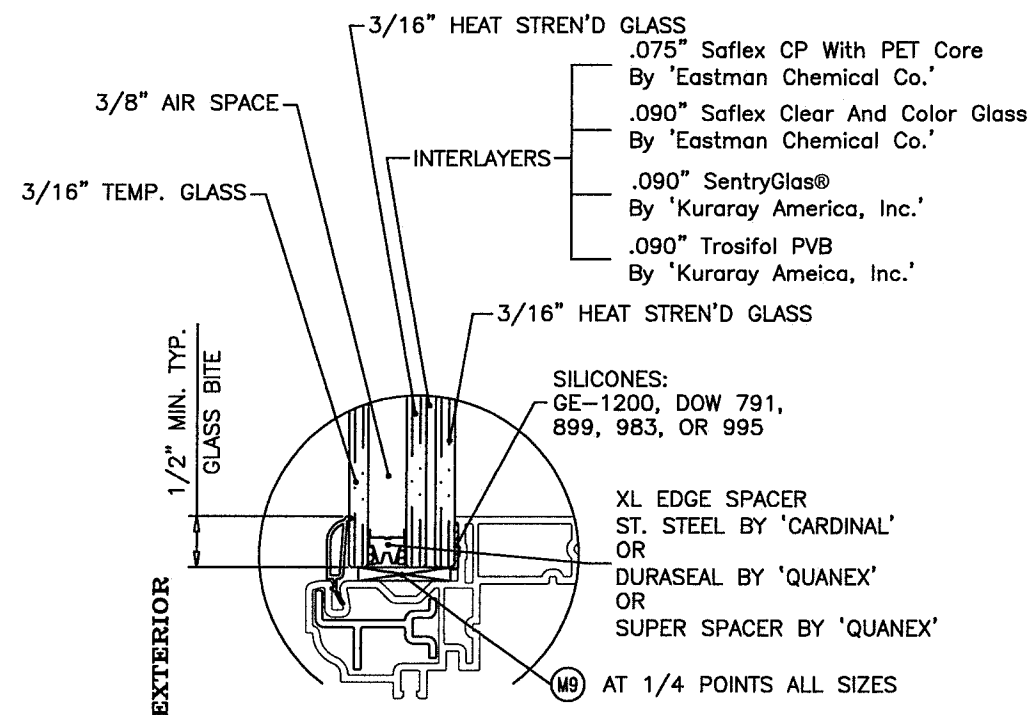
**GLASS TYPE 'A'**  
7/16" OVERALL LAM. GLASS  
(L.M.I & S.M.I.)



**GLASS TYPE 'B'**  
7/16" OVERALL LAM. GLASS  
(L.M.I & S.M.I.)



**GLASS TYPE 'A1'**  
1" OVERALL INSUL. LAM. GLASS  
(L.M.I & S.M.I.\*)



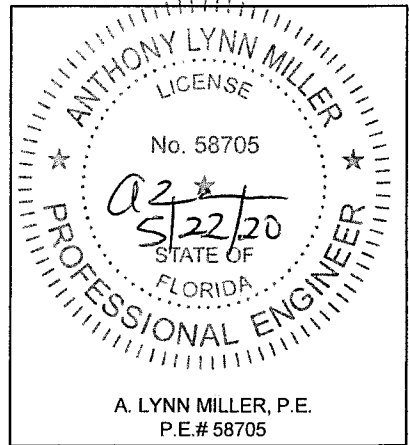
**GLASS TYPE 'B1'**  
1" OVERALL INSUL. LAM. GLASS  
(L.M.I & S.M.I.\*)

**PRODUCT REVISED**  
as complying with the Florida  
Building Code  
NOA-No. 20-0528.06  
Expiration Date 02/20/2024  
By *Shay L. Chank*  
Miami-Dade Product Control

\* (S.M.I.)  
IN ORDER TO QUALIFY FOR SMALL MISSILE IMPACT RATING EXTERIOR PLY OF GLASS TYPE 'A1' MUST BE TEMPERED.

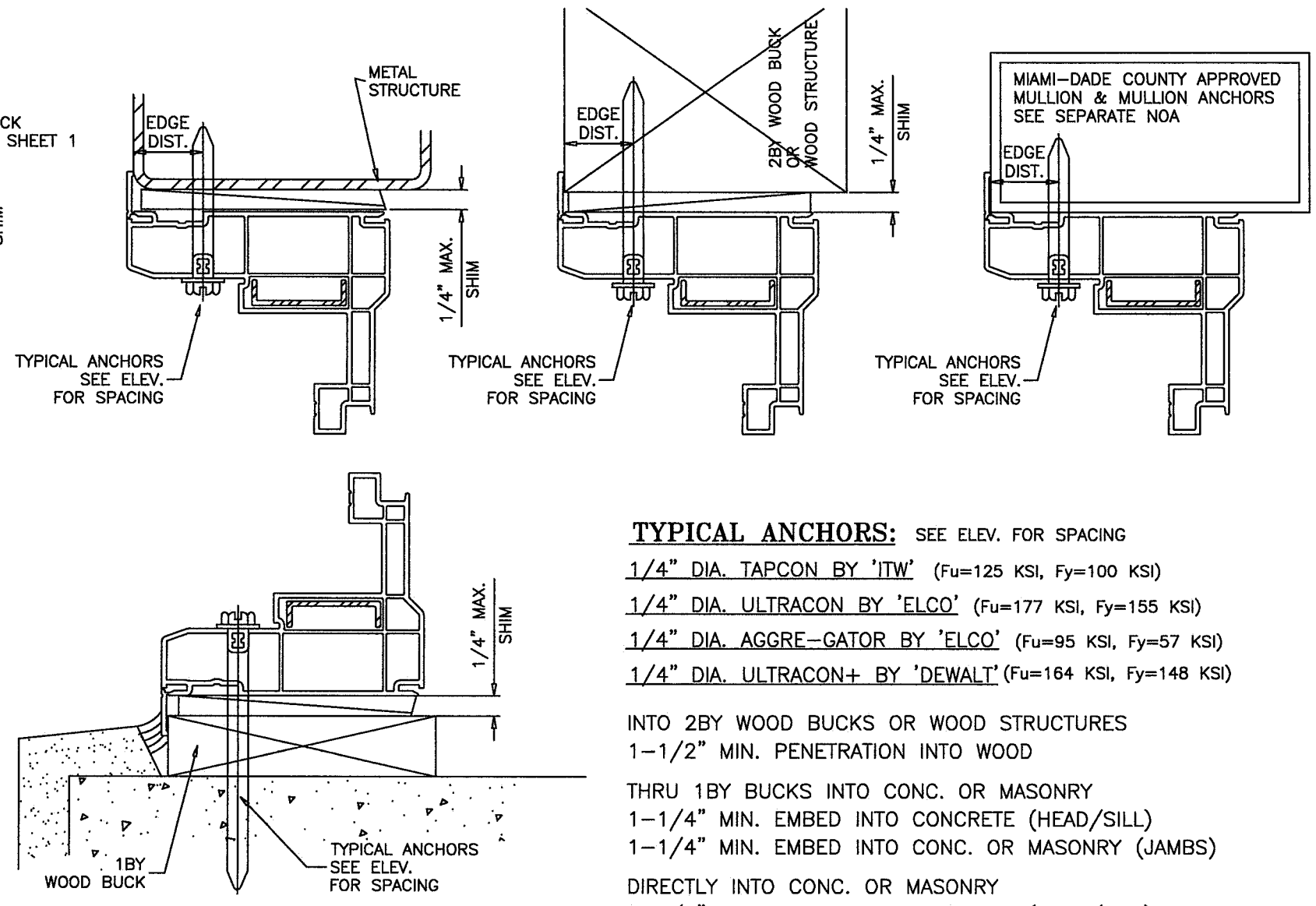
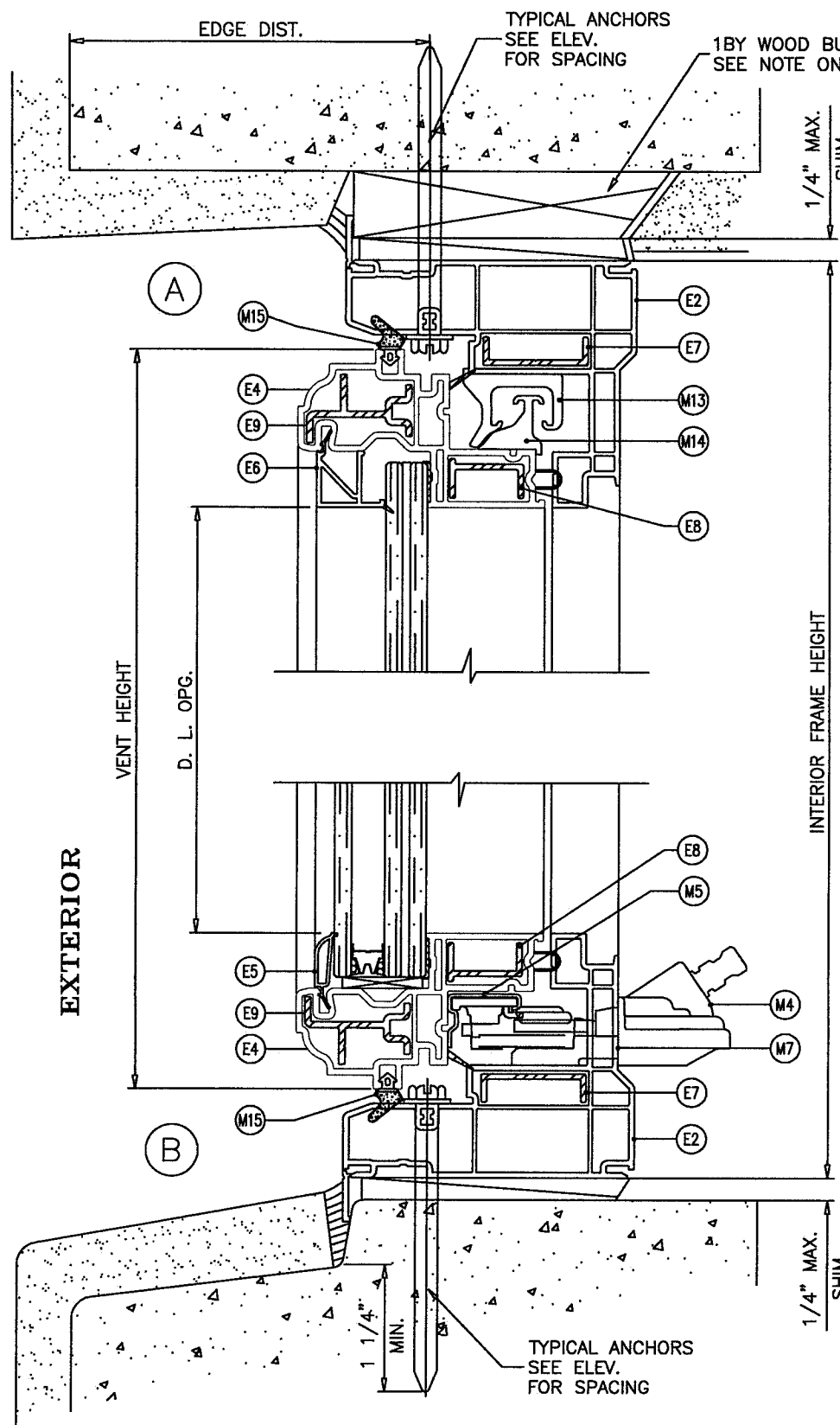
Revision:  
ADDED BACKBEDDING -  
JR - 5/15/20

PREPARED BY A. LYNN MILLER 1070 TECHNOLOGY DRIVE N. VENICE, FL 34275 (941) 480-1600	REGISTRATION #29296	Date	05/15/20	Rev.	A
	7400 PVC AWN. / PROJECT-OUT WDW - LMI	By	J ROSOWSKI	7400NOA-1	A
No.		7400NOA-1			
Impact Resistant Windows & Doors WERE STRONGER™ CGI DOORS AND WINDOWS, INC. 3780 W 104TH STREET HIALEAH, FL 33018 (305) 593-6590	7400 PVC AWN. / PROJECT-OUT WDW - LMI	Scale	NTS	Sheet	3 OF 9
		Series	AW7400	Desc.	GLAZING DETAILS



A. LYNN MILLER, P.E.  
P.E.# 58705

# FLANGE FRAMES



**SEALANTS:**  
ALL JOINTS AND FRAME CONNECTIONS SEALED WITH SILICONE SEALANT.

WOOD BUCKS AND METAL STRUCTURE NOT BY CGI WDW. MUST SUSTAIN LOADS IMPOSED BY GLAZING SYSTEM AND TRANSFER THEM TO THE BUILDING STRUCTURE.

**PRODUCT REVISED**  
as complying with the Florida Building Code  
NOA-No. 20-0528.06  
Expiration Date 02/20/2024  
By Iskag I. Chank  
Miami-Dade Product Control

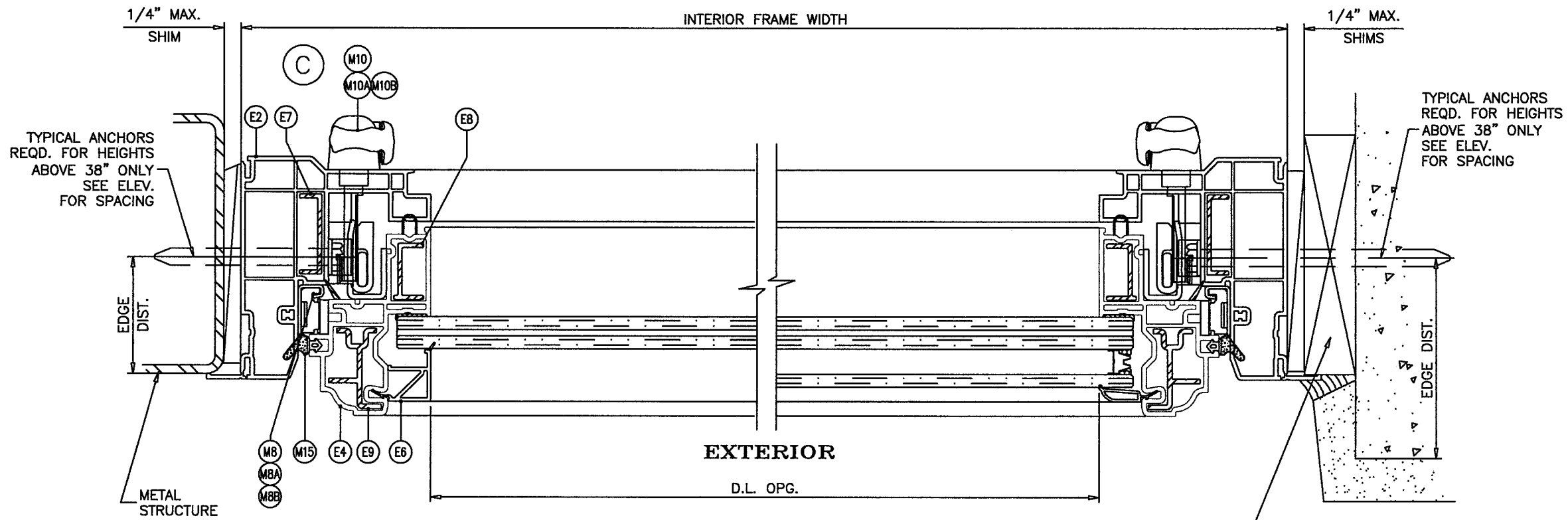
**TYPICAL ANCHORS:** SEE ELEV. FOR SPACING  
 1/4" DIA. TAPCON BY 'ITW' (Fu=125 KSI, Fy=100 KSI)  
 1/4" DIA. ULTRACON BY 'ELCO' (Fu=177 KSI, Fy=155 KSI)  
 1/4" DIA. AGGRE-GATOR BY 'ELCO' (Fu=95 KSI, Fy=57 KSI)  
 1/4" DIA. ULTRACON+ BY 'DEWALT' (Fu=164 KSI, Fy=148 KSI)  
 INTO 2BY WOOD BUCKS OR WOOD STRUCTURES  
 1-1/2" MIN. PENETRATION INTO WOOD  
 THRU 1BY BUCKS INTO CONC. OR MASONRY  
 1-1/4" MIN. EMBED INTO CONCRETE (HEAD/SILL)  
 1-1/4" MIN. EMBED INTO CONC. OR MASONRY (JAMBS)  
 DIRECTLY INTO CONC. OR MASONRY  
 1-1/4" MIN. EMBED INTO CONCRETE (HEAD/SILL)  
 1-1/4" MIN. EMBED INTO CONC. OR MASONRY (JAMBS)  
 #14 SMS OR SELF DRILLING SCREWS (GRADE 2 CRS)  
 INTO MIAMI-DADE COUNTY APPROVED MULLIONS (MIN. THK. = 1/8")  
 INTO METAL STRUCTURES  
 ALUMINUM : 1/8" THK. MIN. (6063-T5 MIN.)  
 STEEL : 12 GA. MIN. (Fy = 36 KSI MIN.)  
 (STEEL IN CONTACT WITH ALUMINUM TO BE PLATED OR PAINTED)

**TYPICAL EDGE DISTANCE**  
 INTO CONCRETE AND MASONRY = 2-1/2" MIN.  
 INTO WOOD STRUCTURE = 1" MIN.  
 INTO METAL STRUCTURE = 3/4" MIN.  
 WOOD AT HEAD, SILL OR JAMBS SG = 0.55 MIN.  
 CONCRETE AT HEAD, SILL OR JAMBS f'c = 3000 PSI MIN.  
 C-90 HOLLOW/FILLED BLOCK AT JAMBS f'm = 2000 PSI MIN.

Revision:	
PREPARED BY A. LYNN MILLER 1070 TECHNOLOGY DRIVE N. VENICE, FL 34275 (941) 480-1600	REGISTRATION #29296 7400 PVC AWN. / PROJECT-OUT WDW - LMI 05/15/20 J ROSOWSKI 7400NOA-1 A
<b>Impact Resistant Windows &amp; Doors</b> WE'RE STRONGER™ CGI DOORS AND WINDOWS, INC. 3780 W 104TH STREET HIALEAH, FL 33018 (305) 593-6590	4 OF 9 NTS AW7400 FLANGE FRAME DETAILS
ANTHONY LYNN MILLER LICENSE No. 58705 05/22/20 STATE OF FLORIDA PROFESSIONAL ENGINEER A. LYNN MILLER, P.E. P.E.# 58705	



**FLANGE FRAMES**



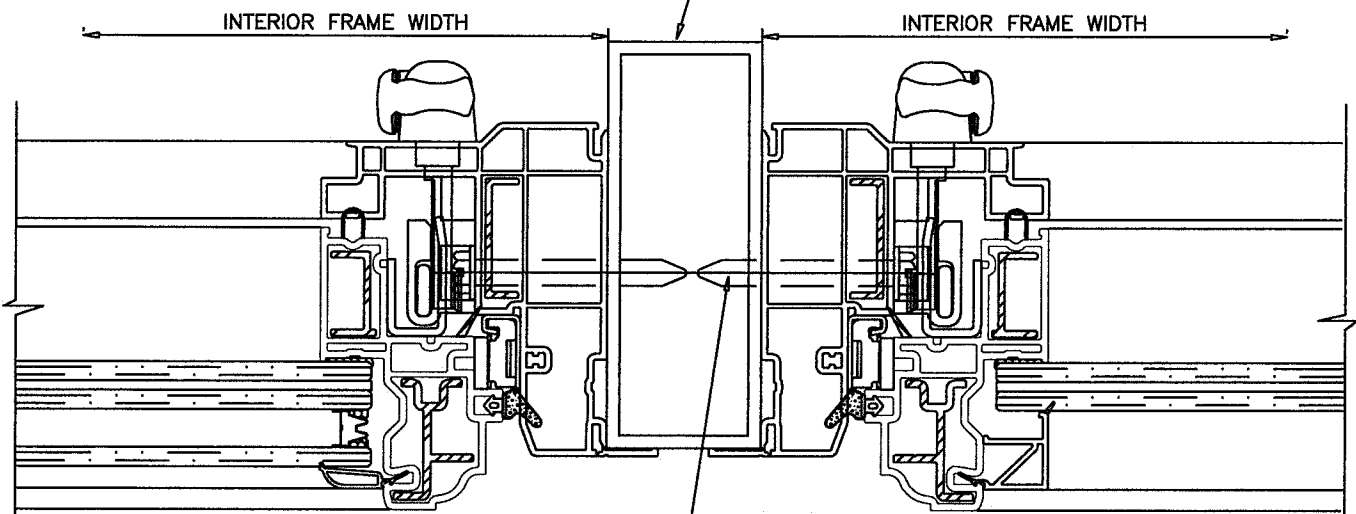
1BY WOOD BUCKS  
SEE NOTE ON SHEET 1

**PRODUCT REVISED**  
as complying with the Florida  
Building Code  
NOA-No. 20-0528.06

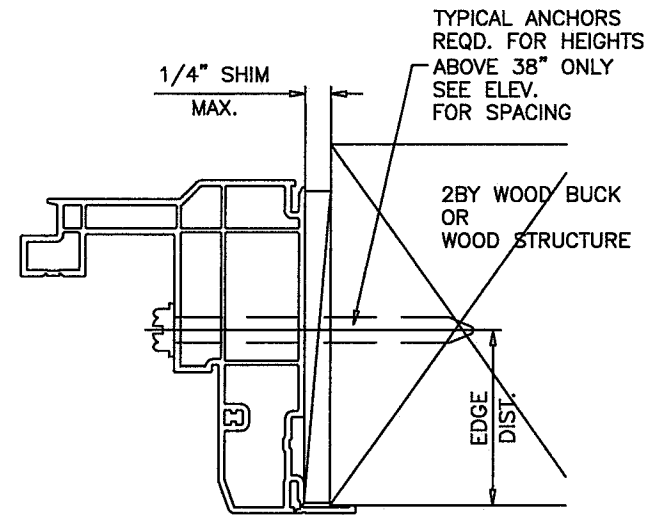
Expiration Date 02/20/2024

By *Ishag I. Chande*  
Miami-Dade Product Control

MIAMI-DADE COUNTY  
APPROVED CLIPPED MULLION  
& MULLION ANCHORS  
SEE SEPARATE NOA



TYPICAL ANCHORS  
REQD. FOR HEIGHTS  
ABOVE 38" ONLY  
SEE ELEV.  
FOR SPACING

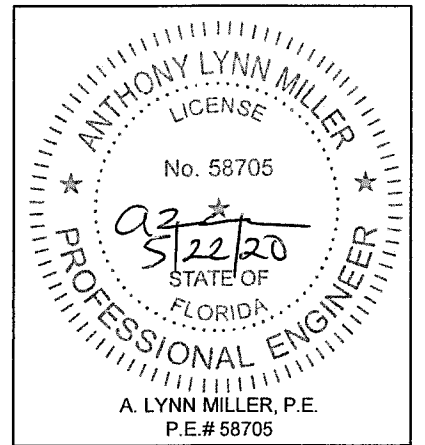


TYPICAL ANCHORS  
REQD. FOR HEIGHTS  
ABOVE 38" ONLY  
SEE ELEV.  
FOR SPACING

2BY WOOD BUCK  
OR  
WOOD STRUCTURE

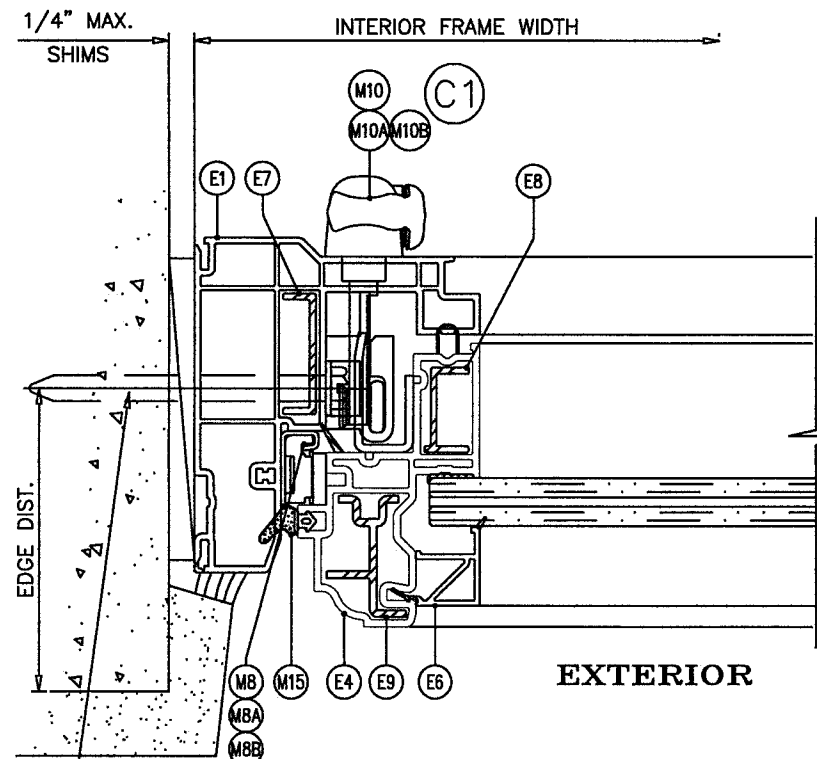
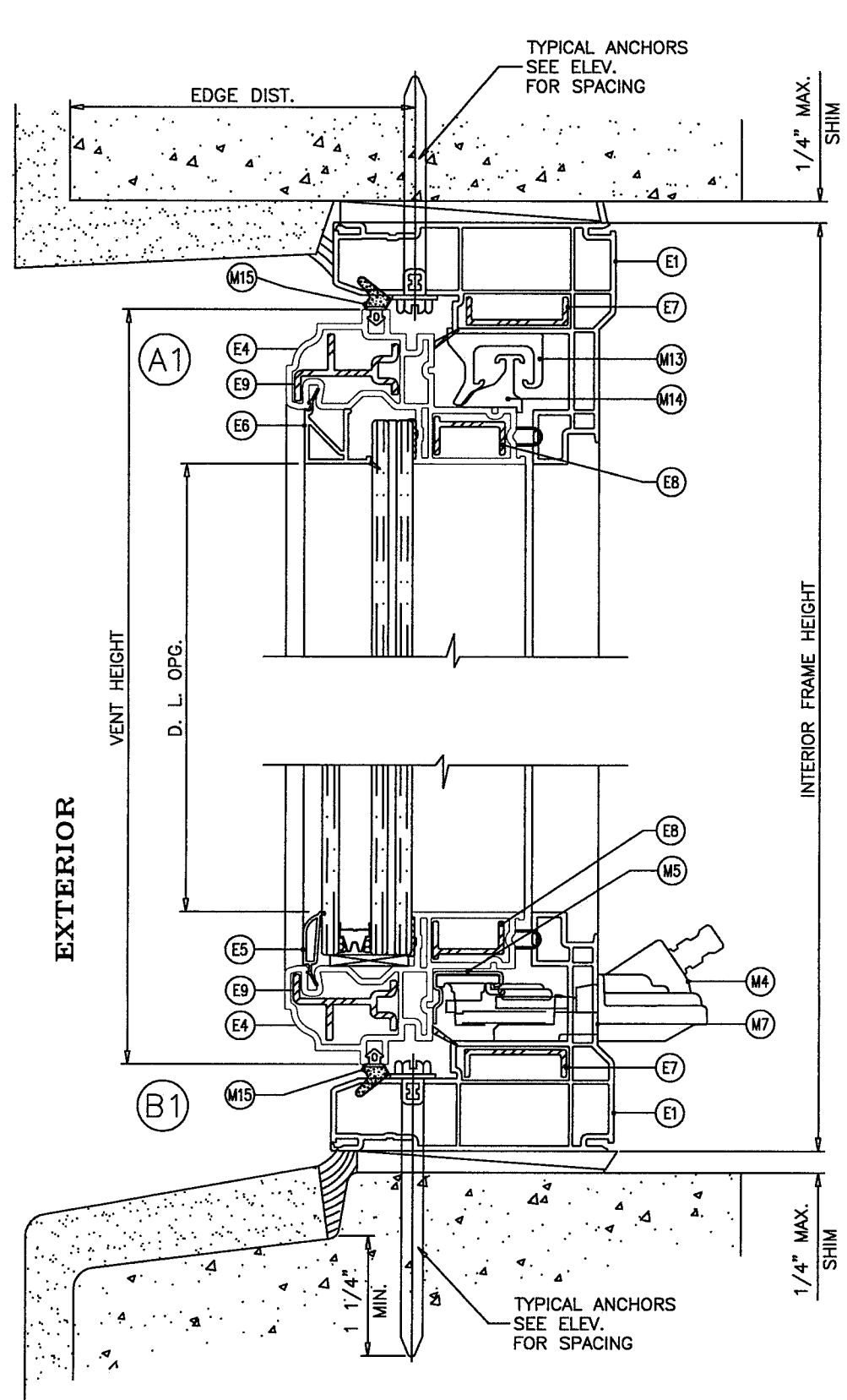
Revision:

PREPARED BY A. LYNN MILLER 1070 TECHNOLOGY DRIVE N. VENICE, FL 34275 (941) 480-1600	REGISTRATION #29296	Date	05/15/20	Drawn By J ROSOWSKI	Rev. A
	7400 PVC AWN. / PROJECT-OUT WDW - LMI	Sheet	5 OF 9		
Impact Resistant Windows & Doors WE'RE STRONGER™ CGI DOORS AND WINDOWS, INC. 3780 W 104TH STREET HIALEAH, FL 33018 (305) 593-6590	7400 PVC AWN. / PROJECT-OUT WDW - LMI	Scale	AW7400	Series	
FLANGE FRAME DETAILS					

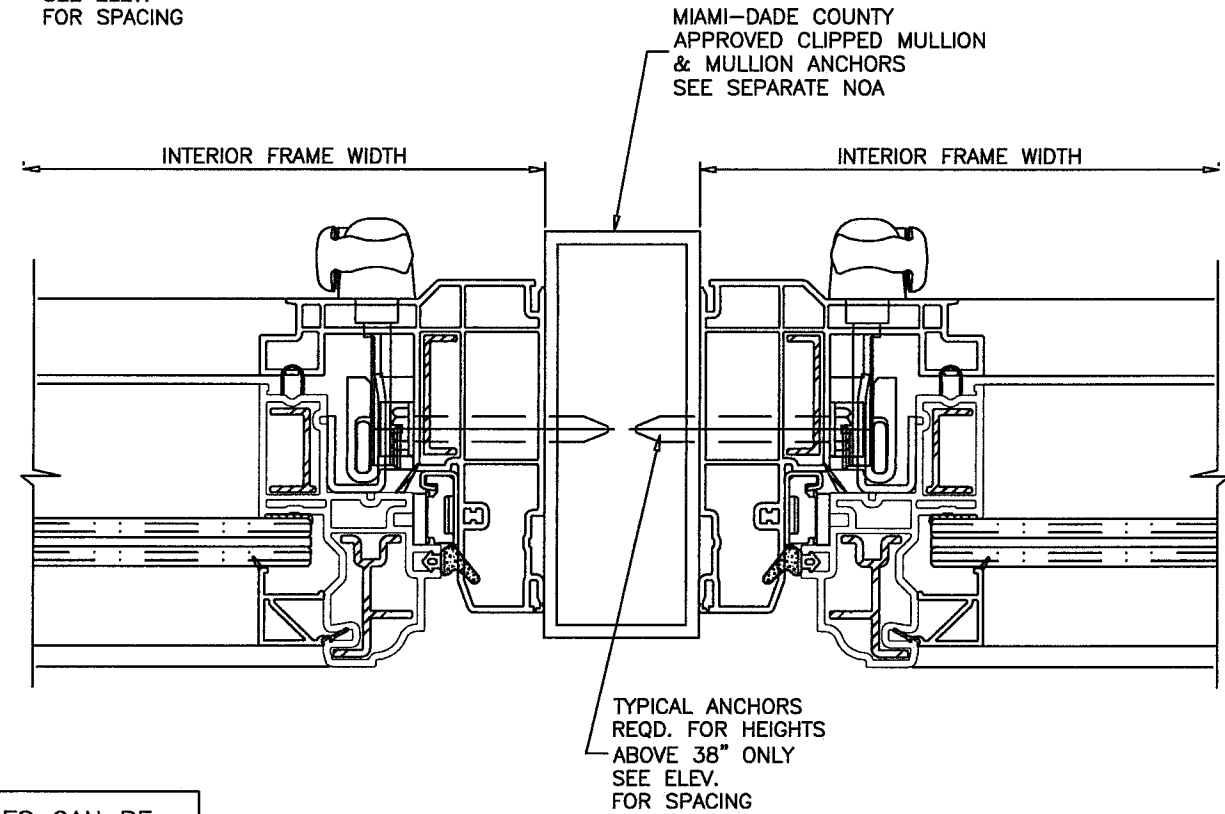
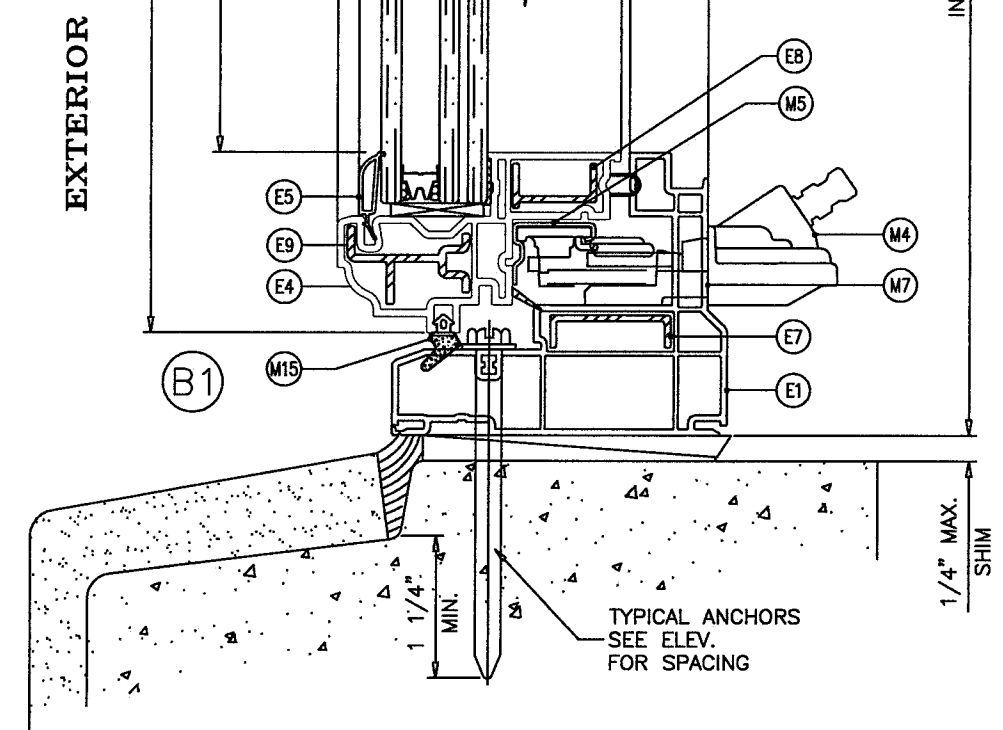


A. LYNN MILLER, P.E.  
P.E.# 58705

**FLUSH FRAMES**



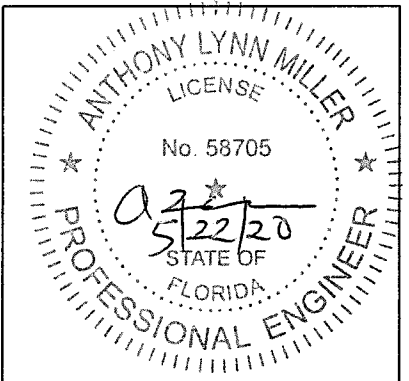
**PRODUCT REVISED**  
 as complying with the Florida  
 Building Code  
 NOA-No. 20-0528.06  
 Expiration Date 02/20/2024  
 By *Ishag I. Chande*  
 Miami-Dade Product Control



FLANGE AND FLUSH FRAMES CAN BE USED AT ALL ANCHORAGE CONDITIONS.

Revision:

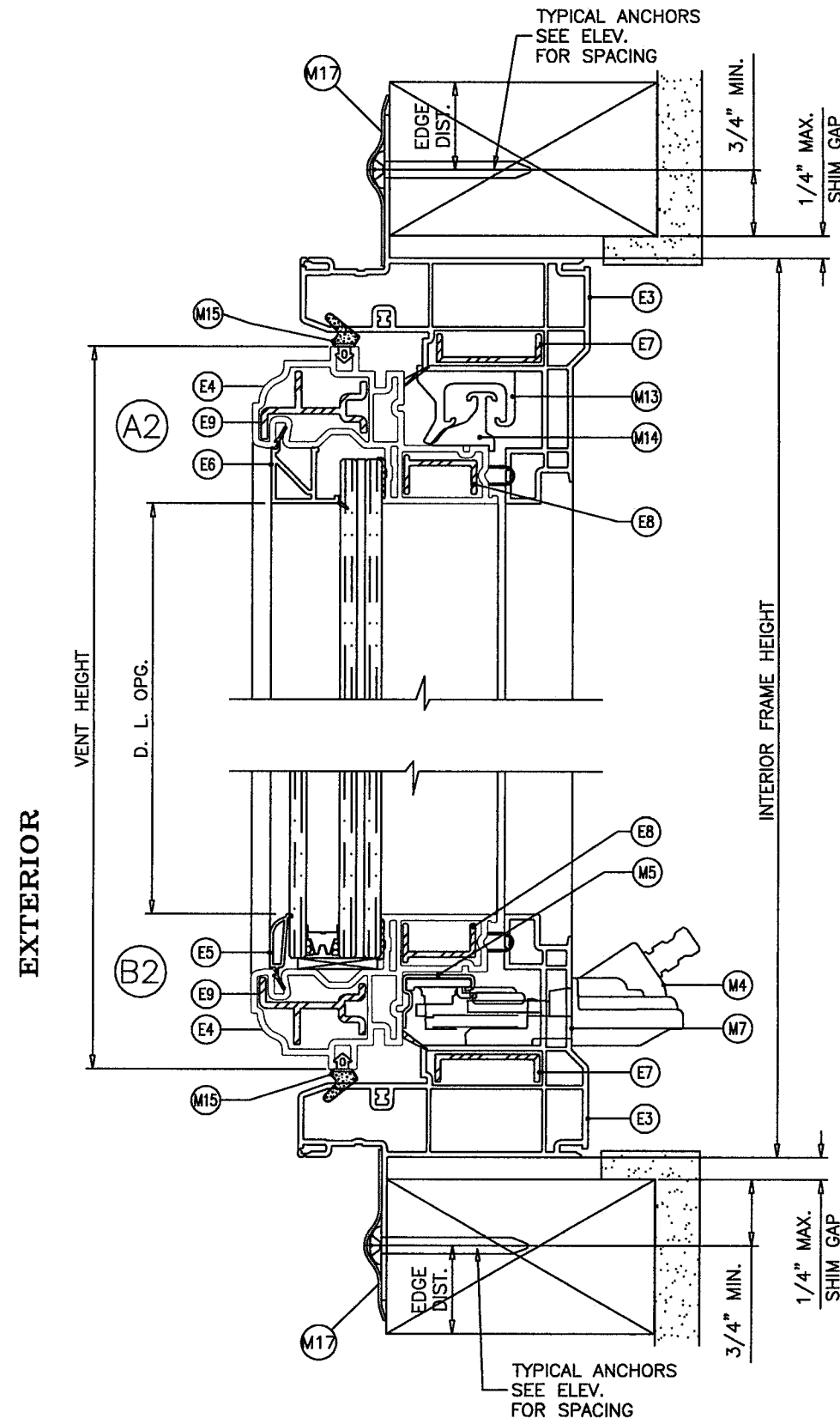
PREPARED BY A. LYNN MILLER 1070 TECHNOLOGY DRIVE N. VENICE, FL 34275 (941) 480-1600	REGISTRATION #29296	Date 05/15/20	Drawn J ROSOWSKI	Rev. A
	7400 PVC AWN. / PROJECT-OUT WDW - LMI	Scale NTS	Sheet 6 OF 9	DWG No. 7400NOA-1
Impact Resistant Windows & Doors WE'RE STRONGER™ CGI DOORS AND WINDOWS, INC. 3780 W 104TH STREET HIALEAH, FL 33018 (305) 593-6590	Series Desc. Title FLUSH FRAME DETAILS	Series No. AW7400	Series Title 7400NOA-1	Series Rev. A



A. LYNN MILLER, P.E.  
 P.E.# 58705



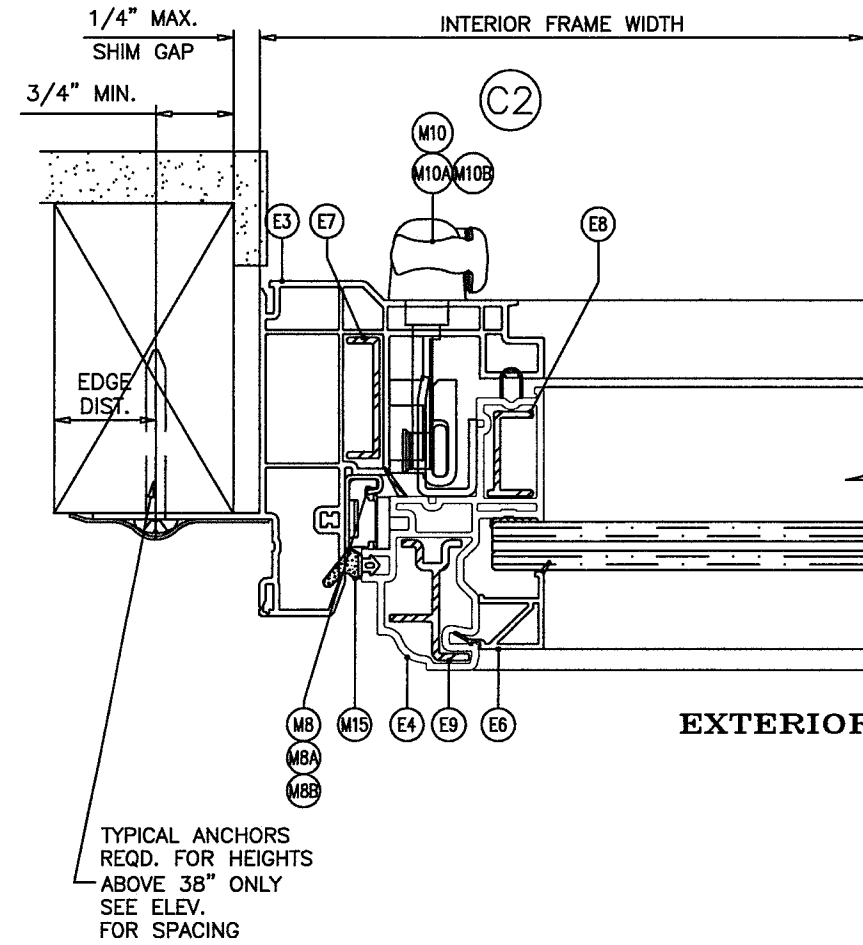
**FIN FRAMES**



**TYPICAL ANCHORS:**

**FIN FRAMES:** SEE ELEV. FOR SPACING

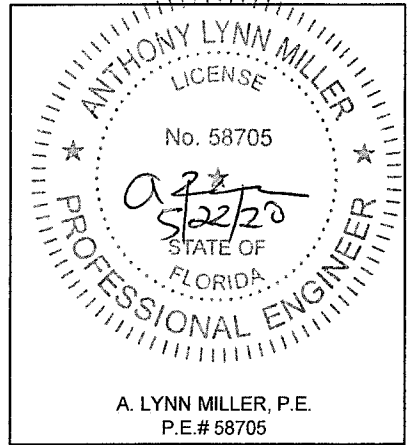
#8 SMS/WOOD SCREWS (GRADE 2 CRS)  
 INTO 2BY WOOD BUCKS OR WOOD STRUCTURES  
 1-1/4" MIN. PENETRATION INTO WOOD  
 3/4" MIN. EDGE DISTANCE



**PRODUCT REVISED**  
 as complying with the Florida  
 Building Code  
 NOA-No. 20-0528.06  
 Expiration Date 02/20/2024  
 By *Ismael L. Chanik*  
 Miami-Dade Product Control

Revision:

PREPARED BY A. LYNN MILLER 1070 TECHNOLOGY DRIVE N. VENICE, FL 34275 (941) 480-1600		REGISTRATION #29296 Date 05/15/20 Drawn by J ROSOWSKI		Rev. A
Impact Resistant <b>Windows &amp; Doors</b> WERE STRONGER™ CGI DOORS AND WINDOWS, INC. 3780 W 104TH STREET HIALEAH, FL 33018 (305) 593-6590		7400 PVC AWN. / PROJECT-OUT WDW - LMI		DWG No. 7400NOA-1
FIN FRAME DETAILS		Scale NTS		Sheet 7 OF 9
Series AW7400		Title FIN FRAME DETAILS		Desc. J ROSOWSKI



A. LYNN MILLER, P.E.  
 P.E.# 58705

CODE	PART No.	DESCRIPTION	MATERIAL	MANUF.	REMARKS
E1	CGI-1011	EQUAL LEG FRAME	PVC	DECEUNINCK NORTH AMERICA LLC.	
E2	CGI-1017	FLANGE FRAME	PVC	DECEUNINCK NORTH AMERICA LLC.	
E3	CGI-1022	FIN FRAME	PVC	DECEUNINCK NORTH AMERICA LLC.	
E4	CGI-1012	SASH	PVC	DECEUNINCK NORTH AMERICA LLC.	
E5	CGI-1008	IG GLAZING BEAD	PVC	DECEUNINCK NORTH AMERICA LLC.	
E6	CGI-1025	7/16" MONOLITHIC GLAZING BEAD	PVC	DECEUNINCK NORTH AMERICA LLC.	
E7	CGI-804	FRAME REINFORCEMENT	6005A-T5	CGI EXTRUDER	
E8	CGI-805	SASH REINFORCEMENT (SMALL)	6005A-T5	CGI EXTRUDER	
E9	CGI-806	SASH REINFORCEMENT (LARGE)	6005A-T5	CGI EXTRUDER	
M1	SCS 1200	GLAZING SILICONE (1/2" X 3/16" BEAD)	SILICONE	GENERAL ELECTRIC	
M2	DOW 983 OR 995	GLAZING SILICONE (1/2" X 3/16" BEAD)	SILICONE	DOW CORNING	
M3	DOW 791 OR 899	GLAZING SILICONE (1/2" X 3/16" BEAD)	SILICONE	DOW CORNING	
M4	50.10.00.011	OPERATOR		TRUTH/RADISSON/ASHLAND	OPTIONAL
M5	11576.92	OPERATOR TRACK AND SLIDER ASSEMBLY		TRUTH/RADISSON/ASHLAND	OPTIONAL
M7	32658	GASKET		TRUTH/RADISSON/ASHLAND	OPTIONAL
M8	13.17.00.014(015)	HINGE		TRUTH	
M8A	BPRP-2101-26DSS(26GSS)	ALT. HINGE		RADISSON INDUSTRIES	
M8B	-	ALT. HINGE		ASHLAND HARDWARE	
M9	-	SETTING BLOCK, 2 PER LITE	EPDM	-	DUROMETER 85±5
M10	-	MULTIPOINT LOCK SYSTEM		TRUTH	
M10A	-	ALT. MULTIPOINT LOCK SYSTEM		RADISSON INDUSTRIES	
M10B	-	ALT. MULTIPOINT LOCK SYSTEM		ASHLAND HARDWARE	
M13	72-10039	FRAME SNUBBER		CGI EXTRUDER	
M14	72-10040	SASH SNUBBER		CGI EXTRUDER	
M15	QWS-580	SASH SEAL	VINYL	SCHLEGEL	
M17		PROTECTO WRAP WATERPROOFING OR EQUIV.			AT FIN FRAME
S3		# 7 X 1/2" FLAT HEAD SMS - HINGE TRACK			AS REQD.
S4		# 7 X 5/8" FLAT HEAD SMS - HINGE SASH ARM			AS REQD.
S5		# 8 X 1" FLAT HEAD SMS - OPERATOR TRACK			AS REQD.
S6		# 8 X 1/2" PAN HEAD SMS - KEEPER			2 PER KEEPER
S7		# 10-24 X 9/16" PAN HEAD SMS - LOCK HANDLE			2 PER HANDLE
S8		# 8 X 1-1/2" PAN HEAD SMS - TIE BAR GUIDES			2 PER GUIDE
S9		# 6 X 1/2" FLAT HEAD SMS - SNUBBERS			2 PER SNUBBER

WHITE PVC EXTRUSIONS BY 'DECEUNINCK NORTH AMERICA LLC'

MAX. Fy = 5.2 KSI

MAX. Fu = 6.5 KSI

TO BE LABELED WITH AAMA EXTRUDER CODE, EXTRUDER NAME, CITY, STATE AND 'MDCA'.

**PRODUCT REVISED**  
as complying with the Florida  
Building Code  
NOA-No. 20-0528.06

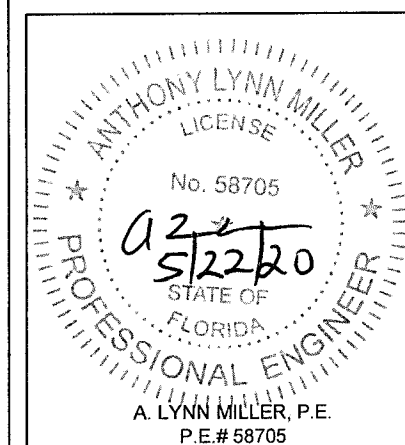
Expiration Date 02/20/2024

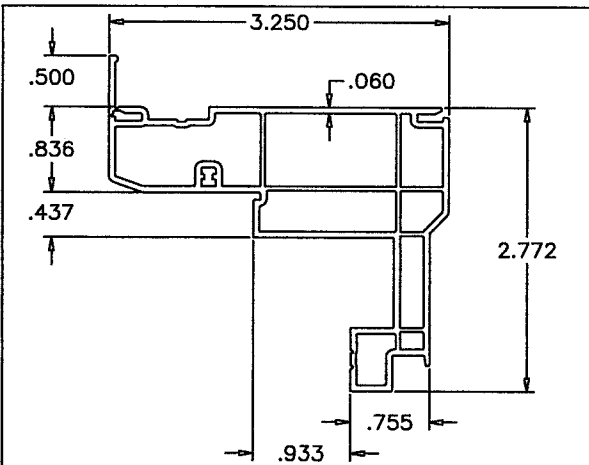
By Ishaq I. Chande  
Miami-Dade Product Control

Material	Min. Fy	Min. Fu
#14 SMS or Self-drilling Steel Screw, Gr 2	36 ksi	60 ksi
1/4" ITW Tapcon	100 ksi	125 ksi
1/4" Elco Aggre-Gator	57 ksi	95 ksi
1/4" Elco UltraCon	155 ksi	177 ksi
1/4" DeWalt UltraCon+	148 ksi	164 ksi
6063-T5 Aluminum	16 ksi	22 ksi
A36 Steel	36 ksi	58 ksi
Gr. 33 Steel Stud	33 ksi	45 ksi

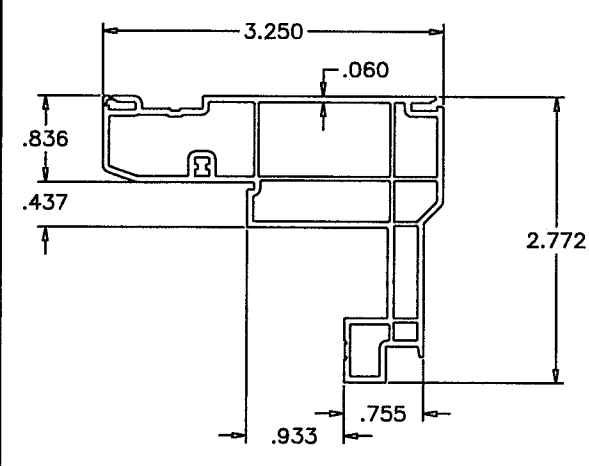
Revision:

PREPARED BY A. LYNN MILLER 1070 TECHNOLOGY DRIVE N. VENICE, FL 34275 (941) 480-1600	REGISTRATION #29296	Date	05/15/20
	7400 PVC AWN. / PROJECT-OUT WDW - LMI	By	J ROSOWSKI
<b>Impact Resistant Windows &amp; Doors</b> <b>WE'RE STRONGER™</b> CGI WINDOWS AND DOORS, INC. 3780 W 104TH STREET HIALEAH, FL 33018 (305) 593-6590	BILL OF MATERIALS AW7400	Sheet	NTS
		Scale	8 OF 9
		No.	7400NOA-1
		Rev.	A

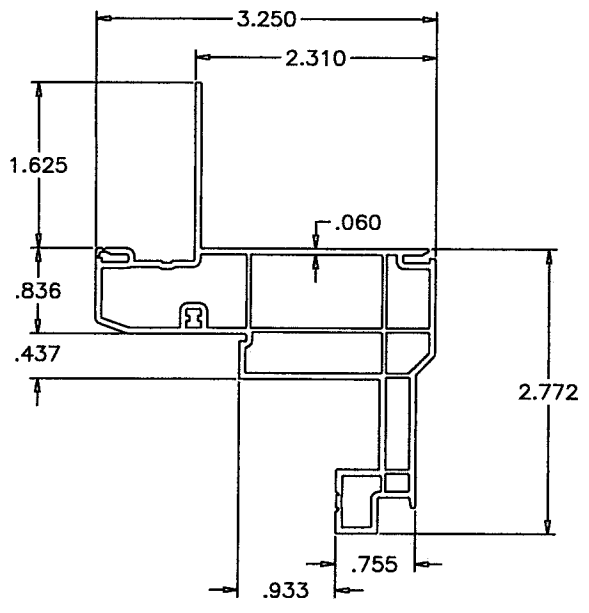




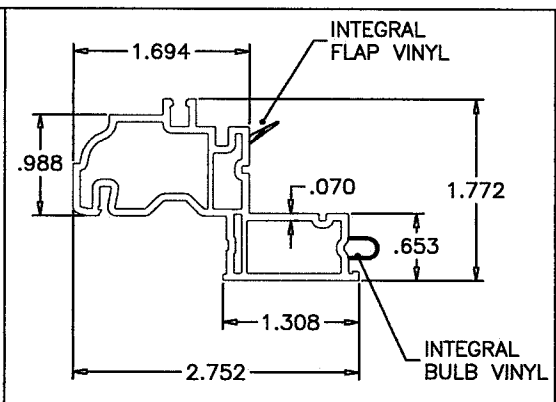
(E2) FLANGE FRAME



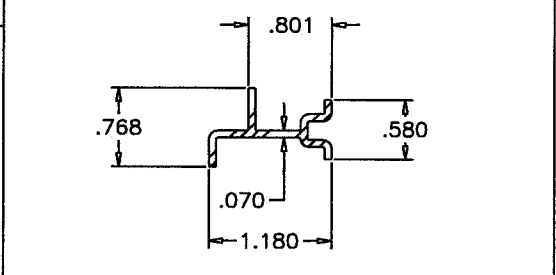
(E1) FLUSH FRAME



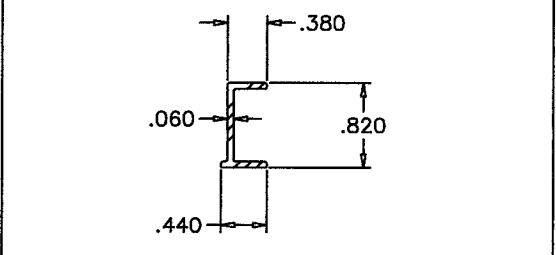
(E3) FIN FRAME



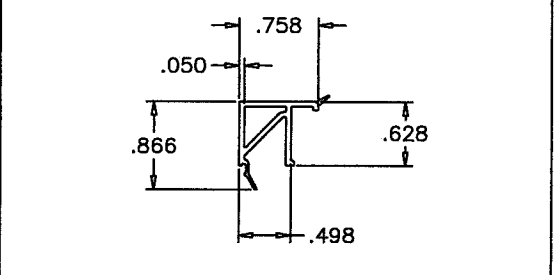
(E4) VENT



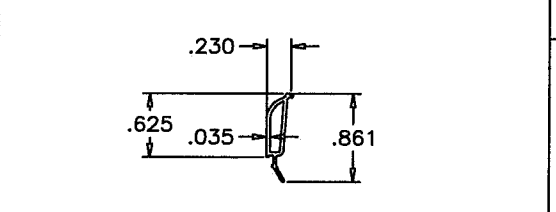
(E9) VENT REINFORCING



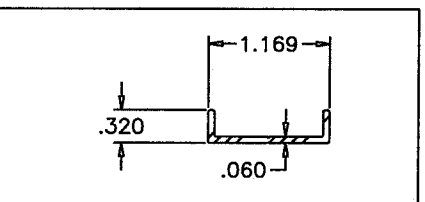
(E8) VENT REINFORCING



(E6) GLAZING BEAD (LAM. GLASS)

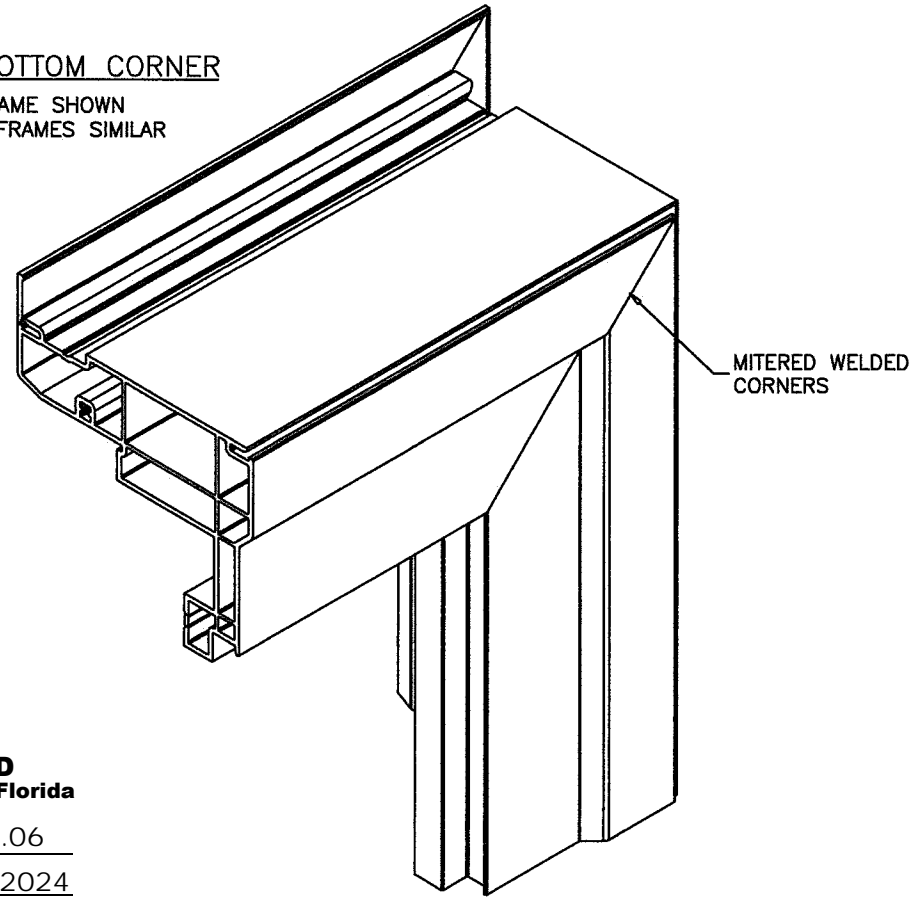


(E5) GLAZING BEAD (INSUL. LAM. GLASS)



(E7) FRAME REINFORCING

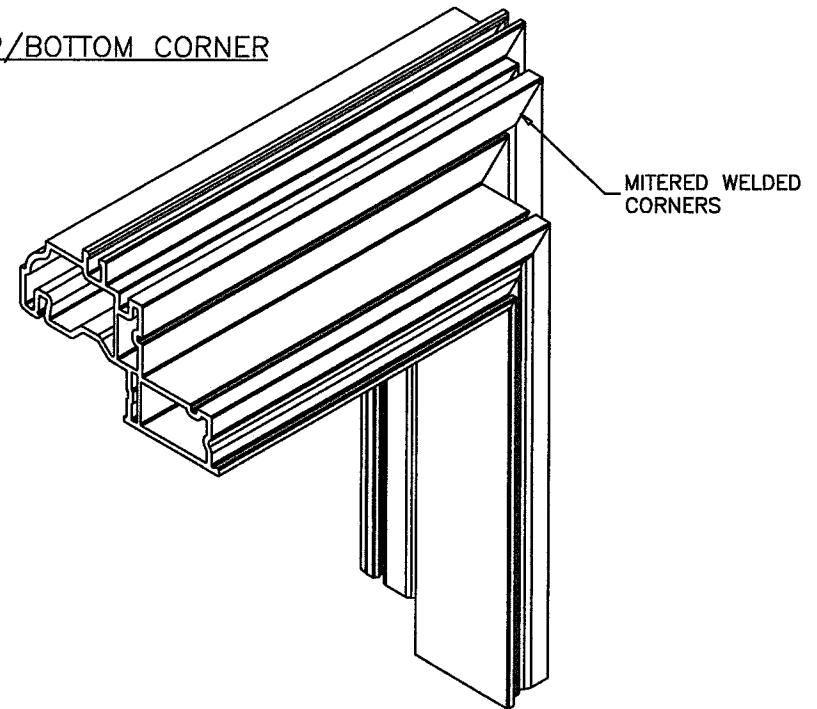
FRAME TOP/BOTTOM CORNER  
FLANGE FRAME SHOWN  
FLUSH & FIN FRAMES SIMILAR



MITERED WELDED CORNERS

**PRODUCT REVISED**  
as complying with the Florida  
Building Code  
NOA-No. 20-0528.06  
Expiration Date 02/20/2024  
By Ishag I. Chande  
Miami-Dade Product Control

VENT TOP/BOTTOM CORNER



MITERED WELDED CORNERS

Revision:

PREPARED BY A. LYNN MILLER 1070 TECHNOLOGY DRIVE N. VENICE, FL 34275 (941) 480-1600	REGISTRATION #29296	Date	05/15/20	Rev.	A
	Impact Resistant Windows & Doors WE'RE STRONGER™ CGI DOORS AND WINDOWS, INC. 3780 W 104TH STREET HIALEAH, FL 33018 (305) 593-6590	7400 PVC AWN. / PROJECT-OUT WDW - LMI	DWG No.	9 OF 9	Sheet
Series					
EXTRUSIONS AND CORNER DETAILS		Title		J ROSOWSKI	

