



MIAMI-DADE COUNTY
PRODUCT CONTROL SECTION
 11805 SW 26 Street, Room 208
 Miami, FL 33173
 T (786) 315-2590 F (786) 315-2599
www.miamidade.gov/economy

DEPARTMENT OF REGULATORY AND ECONOMIC RESOURCES (RER)
 BOARD AND CODE ADMINISTRATION DIVISION

NOTICE OF ACCEPTANCE (NOA)

WinDoor, Inc.
104 Triple Diamond Blvd.
North Venice, FL 34275

SCOPE:

This NOA is being issued under the applicable rules and regulations governing the use of construction materials. The documentation submitted has been reviewed and accepted by Miami-Dade County RER - Product Control Section to be used in Miami Dade County and other areas where allowed by the Authority Having Jurisdiction (AHJ).

This NOA shall not be valid after the expiration date stated below. The Miami-Dade County Product Control Section (In Miami-Dade County) and/or the AHJ (in areas other than Miami-Dade County) reserve the right to have this product or material tested for quality assurance purposes. If this product or material fails to perform in the accepted manner, the manufacturer will incur the expense of such testing and the AHJ may immediately revoke, modify, or suspend the use of such product or material within their jurisdiction. RER reserves the right to revoke this acceptance, if it is determined by Miami-Dade County Product Control Section that this product or material fails to meet the requirements of the applicable building code.

This product is approved as described herein, and has been designed to comply with the Florida Building Code, including the High Velocity Hurricane Zone.

DESCRIPTION: Series "4030- w/Single Hung Window" Aluminum Window Wall System – S.M.I.

APPROVAL DOCUMENT: Drawing No. **4030-SMI-NOA**, titled "4030 Aluminum Window Wall – (SM)", sheets 1 through 9 of 9, dated 08/10/20, prepared, signed and sealed by Anthony Lynn Miller, P.E., bearing the Miami-Dade County Product Control Revision stamp with the Notice of Acceptance number and expiration date by the Miami-Dade County Product Control Section.

MISSILE IMPACT RATING: Small Missile Impact Resistant

LABELING: Each unit shall bear a permanent label with the manufacturer's name or logo, city, state, model/series, and following statement: "Miami-Dade County Product Control Approved", unless otherwise noted herein.

RENEWAL of this NOA shall be considered after a renewal application has been filed and there has been no change in the applicable building code negatively affecting the performance of this product.

TERMINATION of this NOA will occur after the expiration date or if there has been a revision or change in the materials, use, and/or manufacture of the product or process. Misuse of this NOA as an endorsement of any product, for sales, advertising or any other purposes shall automatically terminate this NOA. Failure to comply with any section of this NOA shall be cause for termination and removal of NOA.

ADVERTISEMENT: The NOA number preceded by the words Miami-Dade County, Florida, and followed by the expiration date may be displayed in advertising literature. If any portion of the NOA is displayed, then it shall be done in its entirety.

INSPECTION: A copy of this entire NOA shall be provided to the user by the manufacturer or its distributors and shall be available for inspection at the job site at the request of the Building Official.

This NOA **revises NOA# 19-0130.06** and consists of this page 1 and evidence pages E-1 and E-2, as well as approval document mentioned above.

The submitted documentation was reviewed by **Sifang Zhao, P.E.**



S.Z.

11/19/2020

NOA No. 20-0826.19
Expiration Date: April 03, 2024
Approval Date: November 19, 2020
 Page 1

NOTICE OF ACCEPTANCE: EVIDENCE SUBMITTED

1. EVIDENCE SUBMITTED UNDER PREVIOUS NOAs

A. DRAWINGS

1. Manufacturer's die drawings and sections. *(Submitted under NOA No. 13-0815.07)*
2. Drawing No. **08-02139**, titled "4030 Aluminum Window Wall - Small Missile Impact - HVHZ", sheets 1 through 9 of 9, dated 07/17/13, with revision **C** dated 11/28/17, prepared by manufacturer, signed and sealed by Luis R. Lomas, P.E.

B. TESTS

1. Test reports on: 1) Air Infiltration Test, per FBC, TAS 202-94
2) Uniform Static Air Pressure Test, Loading per FBC, TAS 202-94
3) Water Resistance Test, per FBC, TAS 202-94
4) Small Missile Impact Test per FBC, TAS 201-94
5) Cyclic Wind Pressure Loading per FBC, TAS 203-94
6) Forced Entry Test, per FBC 2411.3.2.1, and TAS 202-94
along with marked-up drawings and installation diagram of an aluminum window wall system w/single hung window, prepared by National Certified Testing Laboratories, Inc., Test Report No. **NCTL-210-3869-2A**, dated 03/25/13, signed and sealed by Gerald J. Ferrara, P.E. *(Submitted under NOA No. 13-0815.07)*

C. CALCULATIONS

1. Anchor verification calculations and structural analysis, complying with **FBC 6th edition (2017)**, dated 11/28/17 prepared, signed and sealed by Luis R. Lomas, P.E. *(Submitted under NOA No. 17-1219.20)*
2. Glazing complies with **ASTM E1300-04/09**

D. QUALITY ASSURANCE

1. Miami-Dade Department of Regulatory and Economic Resources (RER).

E. MATERIAL CERTIFICATIONS

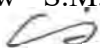
1. NOA No. **17-0808.02** issued to **Kuraray America, Inc.** for their "**SentryGlas® (Clear and White) Glass Interlayers**" dated 12/28/17, expiring on 07/04/23.

F. STATEMENTS

1. Statement letter of conformance, complying with **FBC 6th Edition (2017)**, and of no financial interest, dated 11/28/2017, issued, signed and sealed by Luis R. Lomas, P.E.
2. Laboratory compliance letter for Test Report No. **NCTL-210-3869-2A**, issued by National Certified Testing Laboratories, Inc., dated 03/25/13, signed and sealed by Gerard J. Ferrara, P.E. *(Submitted under NOA No. 13-0815.07)*

G. OTHERS

1. Notice of Acceptance No. **17-1219.20**, issued to WinDoor, Inc. for their Series "4030-HVHZ" Aluminum Window Wall Window System w/Single Hung Window - S.M.I., expiring on 04/03/19.



Sifang Zhao, P.E.
Product Control Examiner
NOA No. 20-0826.19
Expiration Date: April 03, 2024
Approval Date: November 19, 2020

WinDoor, Inc.

NOTICE OF ACCEPTANCE: EVIDENCE SUBMITTED

2. NEW EVIDENCE SUBMITTED

A. DRAWINGS

1. Drawing No. **4030-SMI-NOA**, titled “4030 Aluminum Window Wall – (SM)”, sheets 1 through 9 of 9, dated 08/10/20, prepared, signed and sealed by Anthony Lynn Miller, P.E

B. TESTS

1. Test reports on:
 - 1) Air Infiltration Test, per FBC, TAS 202-94
 - 2) Uniform Static Air Pressure Test, Loading per FBC, TAS 202-94
 - 3) Water Resistance Test, per FBC, TAS 202-94
 - 4) Large Missile Impact Test per FBC, TAS 201-94
 - 5) Cyclic Wind Pressure Loading per FBC, TAS 203-94

along with marked-up drawings and installation diagram of WinDoor, Inc. representative units listed below and tested to qualify Dowsil 791 and Dowsil 983 silicones, per Proposal #19-1155TP.

Test Report	Product Name	Unit in TP	Signed and Sealed	Date
FTL 20-1078.1	WinDoor PW3000 Aluminum Fixed Lite	11	Idalmis Ortega, P.E.	08/24/20
FTL 20-1078.2	WinDoor HR9470 Thermally Broken Aluminum Horizontal Roller	12	Idalmis Ortega, P.E.	08/24/20
FTL 20-1078.3	WinDoor SGD8100 Aluminum Sliding Glass Door	13	Idalmis Ortega, P.E.	08/24/20
FTL 20-1078.4	WinDoor HR9470 Thermally Broken Aluminum Horizontal Roller	14	Idalmis Ortega, P.E.	08/24/20
FTL 20-1078.5	WinDoor PW9020 Thermally Broken Aluminum Fixed Lite	15	Idalmis Ortega, P.E.	08/24/20
FTL 20-1078.6	WinDoor PW9020 Thermally Broken Aluminum Fixed Lite	16	Idalmis Ortega, P.E.	08/24/20

C. CALCULATIONS

1. None.

D. QUALITY ASSURANCE

1. Miami-Dade Department of Regulatory and Economic Resources (RER).

E. MATERIAL CERTIFICATIONS

1. None.

F. STATEMENTS

1. Statement letter of conformance, of complying with FBC 6th Edition (2017), and FBC 7th Edition (2020), and of no financial interest, dated August 11, 2020, issued by manufacturer, signed and sealed by Anthony Lynn Miller, P.E.
2. Notification of Successor Engineer for manufacturer’s NOA document per **Section 61G15-27.001** of the **Florida Administrative Code**, notifying original engineer that the successor engineer is assuming full professional and legal responsibility for all engineering documents pertaining to this NOA, dated August 11, 2020, signed and sealed by Anthony Lynn Miller, P.E.
3. Proposal No. 19-1155 TP issued by the Product Control Section, dated January 10, 2020, signed by Ishaq Chanda, P.E.

G. OTHERS

1. Notice of Acceptance No. **19-0130.06**, expiring on 04/03/24.



Sifang Zhao, P.E.
Product Control Examiner
NOA No. 20-0826.19
Expiration Date: April 03, 2024
Approval Date: November 19, 2020

NOTES:

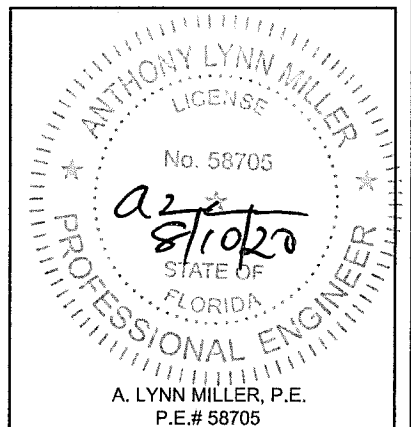
1. THE PRODUCT SHOWN HEREIN IS DESIGNED AND MANUFACTURED TO COMPLY WITH REQUIREMENTS OF THE FLORIDA BUILDING CODE 6TH EDITION (2017) AND 7TH EDITION (2020) INCLUDING THE HVHZ.
2. WOOD FRAMING AND MASONRY OPENING TO BE DESIGNED AND ANCHORED TO PROPERLY TRANSFER ALL LOADS TO STRUCTURE. FRAMING AND MASONRY OPENING IS THE RESPONSIBILITY OF THE ARCHITECT OR ENGINEER OF RECORD.
3. 1X BUCK OVER MASONRY/CONCRETE IS OPTIONAL. WHERE 1X BUCK IS NOT USED DISSIMILAR MATERIALS MUST BE SEPARATED WITH APPROVED COATING OR MEMBRANE. SELECTION OF COATING OR MEMBRANE IS THE RESPONSIBILITY OF THE ARCHITECT OR ENGINEER OF RECORD.
4. ALLOWABLE STRESS INCREASE OF 1/3 WAS NOT USED IN THE DESIGN OF THE PRODUCT SHOWN HEREIN. WIND LOAD DURATION FACTOR Cd=1.6 WAS USED FOR WOOD ANCHOR CALCULATIONS.
5. FRAME MATERIAL: ALUMINUM 6063-T6
6. UNITS MUST BE GLAZED PER ASTM E1300-04/09, SEE SHEET 3 FOR GLASS DETAILS.
7. APPROVED IMPACT PROTECTIVE SYSTEM IS NOT REQUIRED FOR THIS PRODUCT IN WIND BORNE DEBRIS REGIONS. WHEN INSTALLED ABOVE 35FT OF HEIGHT.
8. SHIM AS REQUIRED AT EACH INSTALLATION ANCHOR WITH LOAD BEARING SHIM. SHIM WHERE SPACE OF 1/16" OR GREATER OCCURS. MAXIMUM ALLOWABLE SHIM STACK TO BE 1/4".
9. FOR ANCHORING INTO WOOD FRAMING OR 2X BUCK USE #14 CUT-THREAD WOOD SCREWS WITH SUFFICIENT LENGTH TO ACHIEVE A 1 7/16" MINIMUM EMBEDMENT INTO SUBSTRATE WITH 1" MIN EDGE DISTANCE. LOCATE ANCHORS AS SHOWN IN ELEVATIONS AND INSTALLATION DETAILS.
10. FOR ANCHORING INTO MASONRY/CONCRETE USE 1/4" ELCO CRETE-FLEX SS4 WITH SUFFICIENT LENGTH TO ACHIEVE A 1 1/4" MINIMUM EMBEDMENT INTO SUBSTRATE WITH 2 1/2" MINIMUM EDGE DISTANCE. LOCATE ANCHORS AS SHOWN IN ELEVATIONS AND INSTALLATION DETAILS.
11. FOR ANCHORING INTO METAL STRUCTURE USE ALL #14 GRADE 5 SMS OR SELF DRILLING SCREWS WITH SUFFICIENT LENGTH TO ACHIEVE 3 THREADS MINIMUM BEYOND STRUCTURE INTERIOR WALL. LOCATE ANCHORS AS SHOWN IN ELEVATIONS AND INSTALLATION DETAILS.
12. FOR ANCHORING INTO ALUMINUM STRUCTURE USE ALL #14 GRADE 5 SMS OR SELF DRILLING SCREWS WITH SUFFICIENT LENGTH TO ACHIEVE 3 THREADS MINIMUM BEYOND STRUCTURE INTERIOR WALL. LOCATE ANCHORS AS SHOWN IN ELEVATIONS AND INSTALLATION DETAILS.
13. ALL FASTENERS TO BE CORROSION RESISTANT.
14. INSTALLATION ANCHORS SHALL BE INSTALLED IN ACCORDANCE WITH ANCHOR MANUFACTURER'S INSTALLATION INSTRUCTIONS AND ANCHORS SHALL NOT BE USED IN SUBSTRATES WITH STRENGTHS LESS THAN THE MINIMUM STRENGTH SPECIFIED BELOW:
 - A. WOOD - MINIMUM SPECIFIC GRAVITY OF G=0.42
 - B. CONCRETE - MINIMUM COMPRESSIVE STRENGTH OF 3,192 PSI.
 - C. MASONRY - STRENGTH CONFORMANCE TO ASTM C-90-11b, NORMAL WEIGHT WITH MINIMUM 1,900 PSI STRENGTH, MORTAR "N" PER ASTM C270-12, ASTM C1384-06a AND ASTM C1714-10, GRADE N, TYPE 1 (OR GREATER).
 - D. METAL STRUCTURE: STEEL 16GA, (.0635" OR 63.5MIL) PER AISC & AISI 33KSI OR ALUMINUM 6063-T5 1/8" THICK MINIMUM

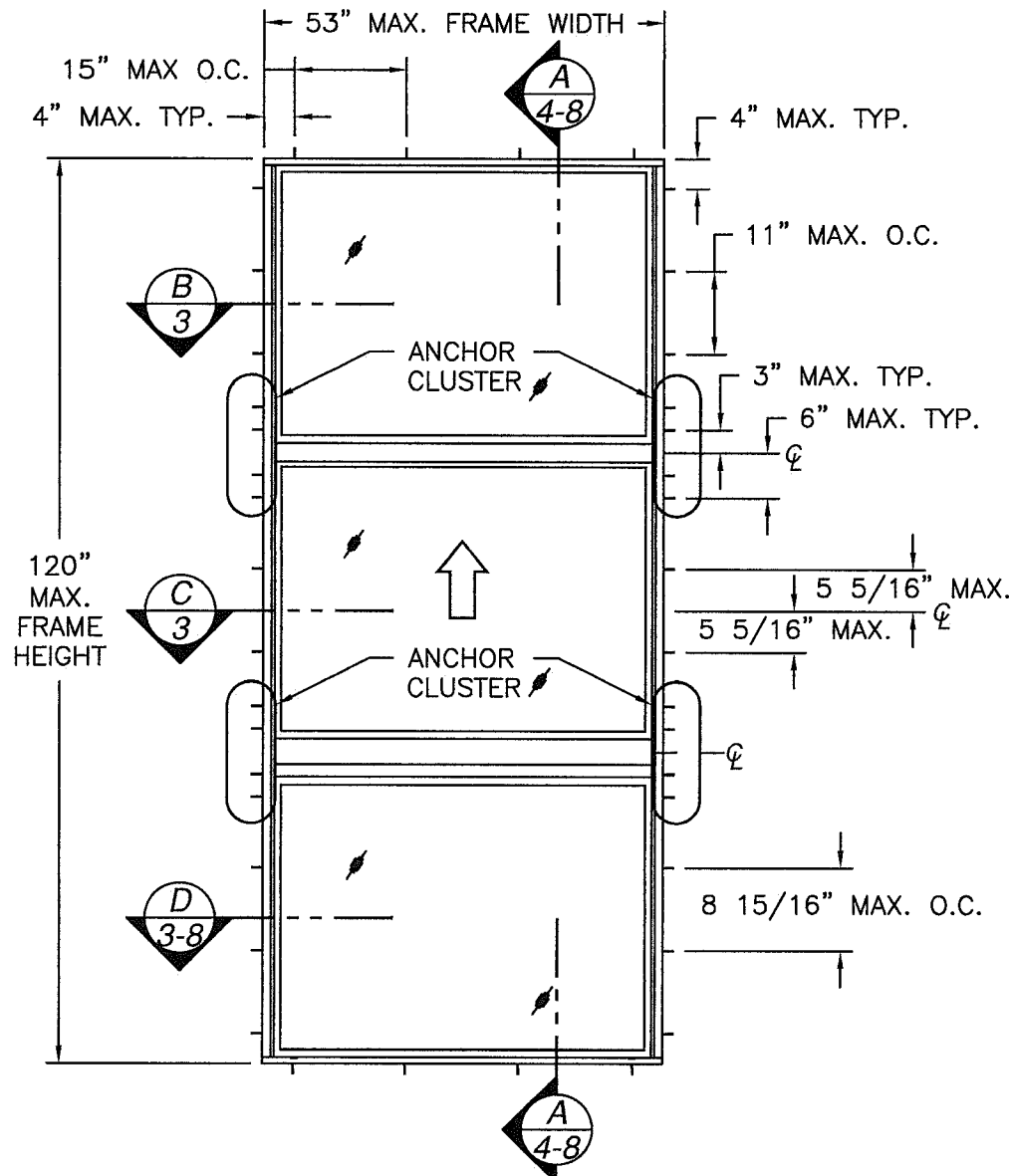
TABLE OF CONTENTS	
SHEET NO.	DESCRIPTION
1	GENERAL NOTES
2	ELEVATIONS & DESIGN PRESSURES
3	BOM & GLAZING DETAILS
3-4	SECTION VIEWS
5-8	INSTALLATION DETAILS
9	EXTRUSIONS

PRODUCT REVISED
 as complying with the Florida
 Building Code
 NOA-No. 20-0826.19
 Expiration Date 04/03/2024
 By 
 Miami-Dade Product Control

Revision: UPDATES FOR 2020 FBC.
 UPDATED MANUFACTURING
 ADDRESS.

PREPARED BY A. LYNN MILLER 1070 TECHNOLOGY DRIVE N. VENICE, FL 34275 (941) 480-1600 REGISTRATION #29296	Date	08/10/20	Drawn By ERIN KOSS	DWG No. 4030-SMI-NOA
	Rev.			
WINDOOR® INCORPORATED WINDOOR INCORPORATED 104 TRIPLE DIAMOND BLVD. NORTH VENICE, FL 34275 (833) 554-5432	ALUMINUM WINDOW WALL (SM)		GENERAL NOTES	1 OF 9
	Series Desc.	WW4030A		

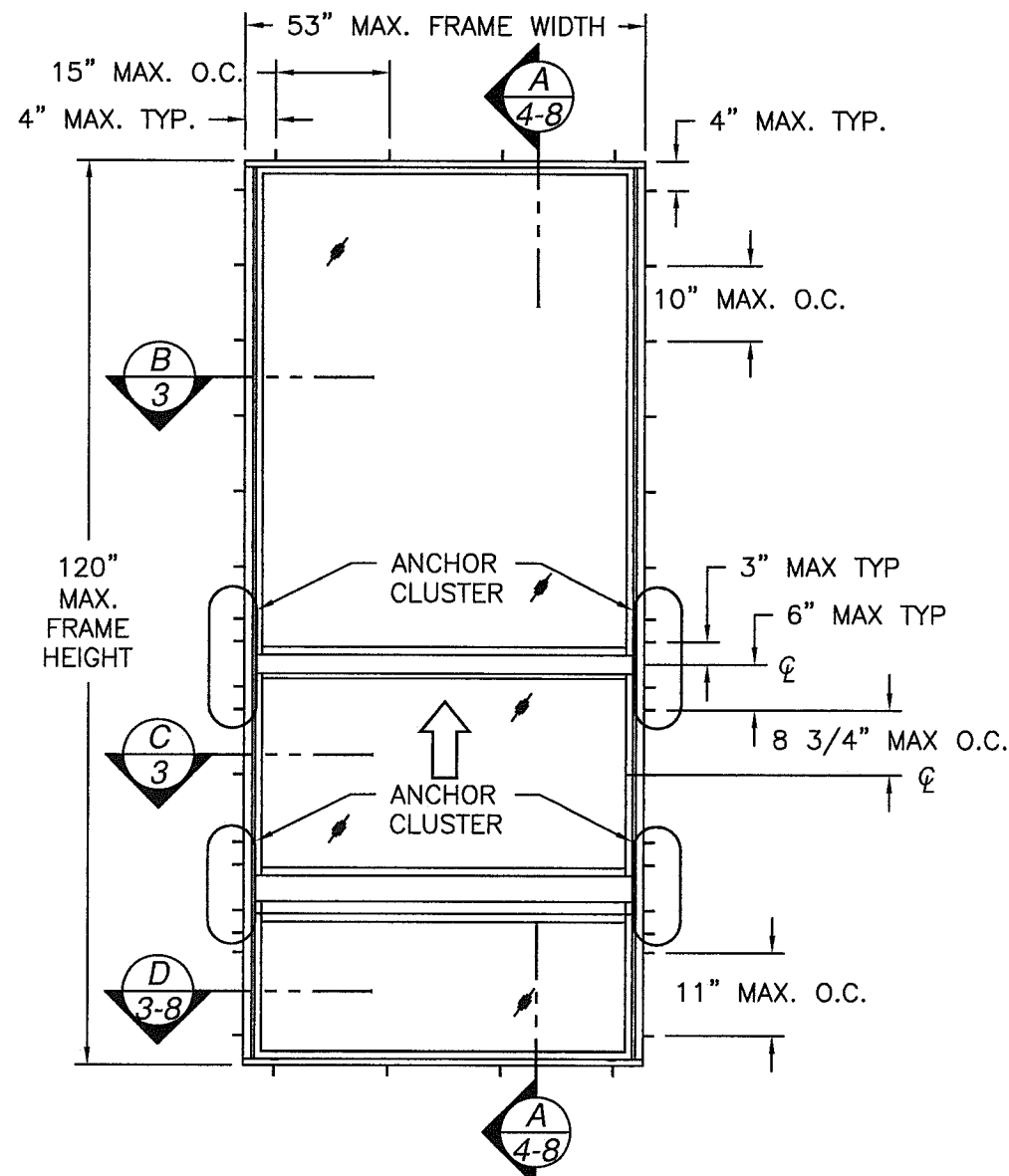




4030 ALUMINUM WINDOW WALL - EQUAL LITE
EXTERIOR VIEW

DESIGN PRESSURE RATING	IMPACT RATING
±112.6PSF	SMALL MISSILE IMPACT

MISSILE LEVEL A, WIND ZONE 4 AND HVHZ
FOR WOOD INSTALLATION



4030 ALUMINUM WINDOW WALL - ORIEL
EXTERIOR VIEW

DESIGN PRESSURE RATING	IMPACT RATING
±105.7PSF	SMALL MISSILE IMPACT

MISSILE LEVEL A, WIND ZONE 4 AND HVHZ
FOR WOOD INSTALLATION

**4030 ALUMINUM WINDOW WALL -
EQUAL LITE & ORIEL**

DESIGN PRESSURE RATING	IMPACT RATING
+120.0/-150.0PSF	SMALL MISSILE IMPACT

MISSILE LEVEL A, WIND ZONE 4 AND HVHZ
FOR MASONRY/CONCRETE AND METAL INSTALLATION

NOTES:

- EQUAL LITE SINGLE HUNG SASH DLO: 48 1/4" X 34 31/32"
- EQUAL LITE SINGLE HUNG FIXED LITE DLO: 48 1/4" X 34 31/32"
- EQUAL LITE FIXED LITE DLO: 48 1/4" X 35"
- ORIEL SINGLE HUNG SASH DLO: 48 1/4" X 20 11/16"
- ORIEL SINGLE HUNG FIXED LITE DLO: 48 1/4" X 64"
- ORIEL FIXED LITE DLO: 48 1/4" X 20 5/16"
- WEEP HOLES CUT OUTS ARE LOCATED AT EACH CORNER OF SILL FACE.

PRODUCT REVISED
as complying with the Florida
Building Code
NOA-No. 20-0826.19
Expiration Date 04/03/2024
By *[Signature]*
Miami-Dade Product Control

NO CHANGES THIS SHEET.

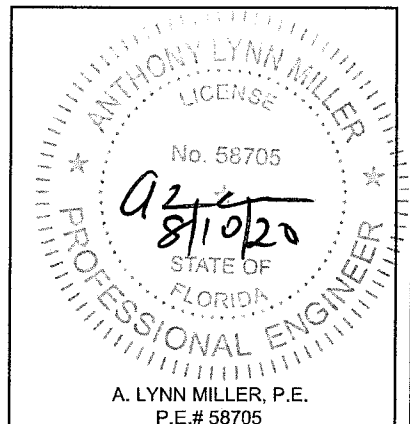
Revision:

PREPARED BY A. LYNN MILLER
1070 TECHNOLOGY DRIVE
N. VENICE, FL 34275
(941) 480-1600
REGISTRATION #29296

WINDOOR®
INCORPORATED
WINDOOR INCORPORATED
104 TRIPLE DIAMOND BLVD.
NORTH VENICE, FL 34275
(833) 554-5432

ALUMINUM WINDOW WALL (SM)
ELEVATIONS AND DP

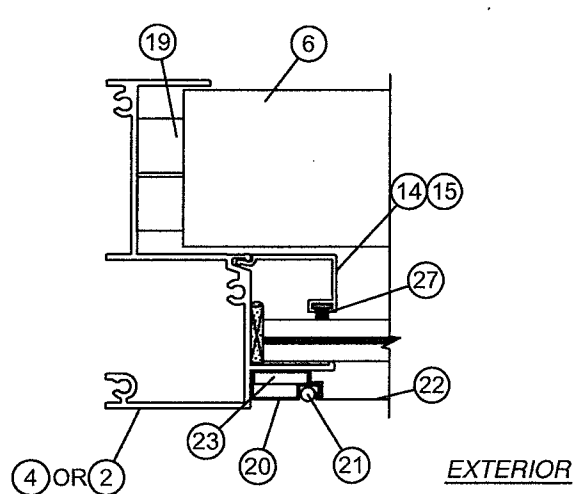
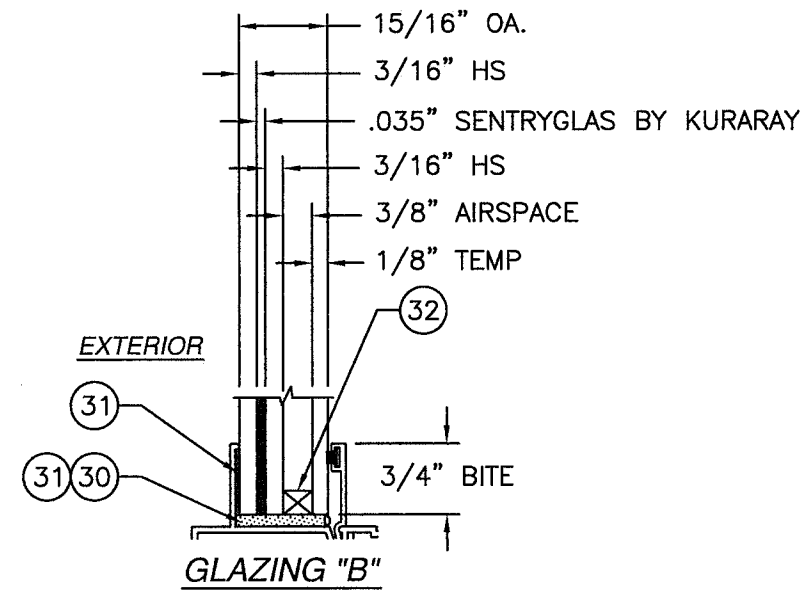
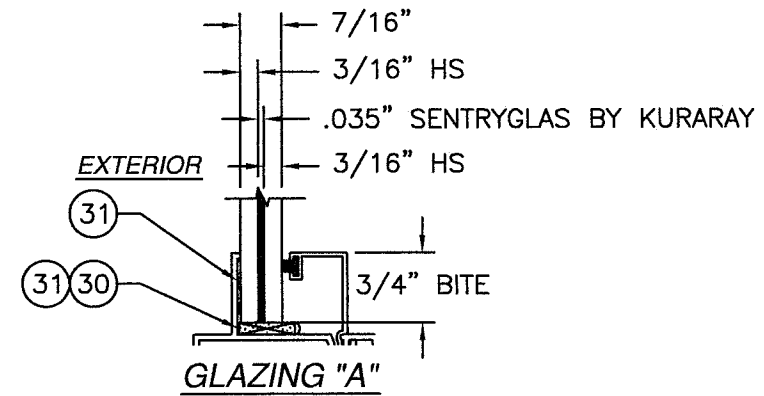
Series	Desc.	Title	By	Date	Rev.
WW4030A	2 OF 9	4030-SMI-NOA	ERIN KOSS	08/10/20	



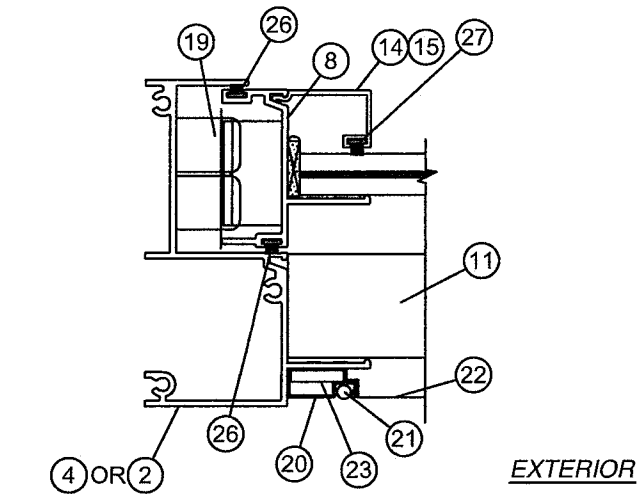
A. LYNN MILLER, P.E.
P.E.# 58705

BILL OF MATERIALS

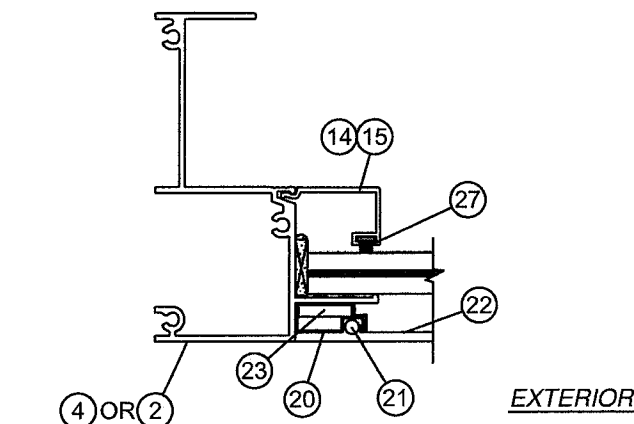
ITEM NO.	PART NUMBER	DESCRIPTION	MANUFACTURER	MATERIAL
1	FS-07419	FRAME HEAD & SILL EQUAL LEG	KEYMARK	ALUMINUM 6063-T6
2	FS-06614	FRAME JAMB EQUAL LEG	KEYMARK	ALUMINUM 6063-T6
3	FS-07418	FRAME HEAD & SILL FLANGE	KEYMARK	ALUMINUM 6063-T6
4	FS-06663	FRAME JAMB FLANGE	KEYMARK	ALUMINUM 6063-T6
5	FH-06615	FIXED MEETING RAIL	KEYMARK	ALUMINUM 6063-T6
6	FH-06616	MEETING RAIL	KEYMARK	ALUMINUM 6063-T6
7	FH-07734	SASH BOTTOM RAIL	KEYMARK	ALUMINUM 6063-T6
8	FS-06618	SASH JAMB	KEYMARK	ALUMINUM 6063-T6
9	FS-06671	HEAD FILLER	KEYMARK	ALUMINUM 6063-T6
10	FS-04501	JAMB TRACK RECESSED COVER	KEYMARK	ALUMINUM 6063-T6
11	FH-06669	HORIZONTAL IMPOST	KEYMARK	ALUMINUM 6063-T6
12	FH-07492	FIXED MEETING RAIL REINFORCEMENT	KEYMARK	ALUMINUM 6063-T6
13	FH-07493	SASH MEETING RAIL REINFORCEMENT	KEYMARK	ALUMINUM 6063-T6
14	FS-06667	7/16" GLASS STOP	KEYMARK	ALUMINUM 6063-T6
15	FS-07353	1" GLASS STOP	KEYMARK	ALUMINUM 6063-T6
16		NOT USED		
17	FS-07327	SILL SNAP LOCK	KEYMARK	ALUMINUM 6063-T6
18	H4000-BL-SL202	SASH LOCK	SULLIVAN & ASSOC.	ALUMINUM 6063-T6
19		SPIRAL OR BLOCK & TACKLE BALANCES	CALDWELL	
20	S4000-XX-150	SCREEN HEAD, JAMB & SILL	ROLLFORM	ALUMINUM 6063-T6
21	S10010-BL-2200R	SCREEN SPLINE	TEAM PLASTICS	VINYL
22	SBV-XX-0600Z	SCREEN CLOTH	PHIFER	FIBERGLASS
23	54080-ML-FBII	SCREEN CORNER KEY	SEUAN	NYLON
24	122003	.187x.350 ULTRAFAB FINSEAL	ULTRAFAB	
25	W4000-BL-SCE42	1.3x1.75x.375 CLOSED CELL FOAM PAD	FRANK LOWE	NEOPRENE
26	122001	.187x.220 ULTRAFAB FINSEAL	ULTRAFAB	
27	4000SH-BL-TP-1104	GLASS STOP VINYL	TEAM PLASTICS	VINYL
28	131096	#6x3/4" FH PHILLIPS SMS SCREW		STAINLESS STEEL
29	131014	#8x1" SQ DRIVE PH SMS SCREW		STAINLESS STEEL
30	121104	GLASS SHIM	FRANK LOWE	85 DUROMETER
31		SIKA 552, DOW 791, DOW 983	SIKA / DOW	POLYURETHANE/SILICONE
32		3/8 SPACER	HELIMA	ALUMINUM AW3000FF



B
3 HORIZONTAL CROSS SECTION



C
3 HORIZONTAL CROSS SECTION

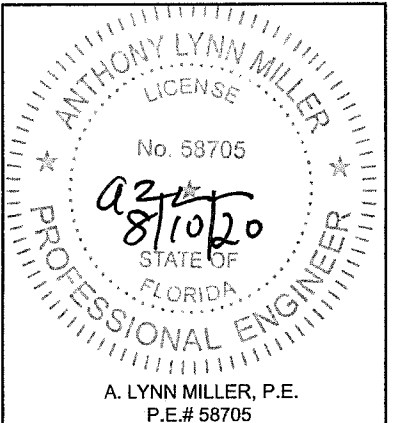


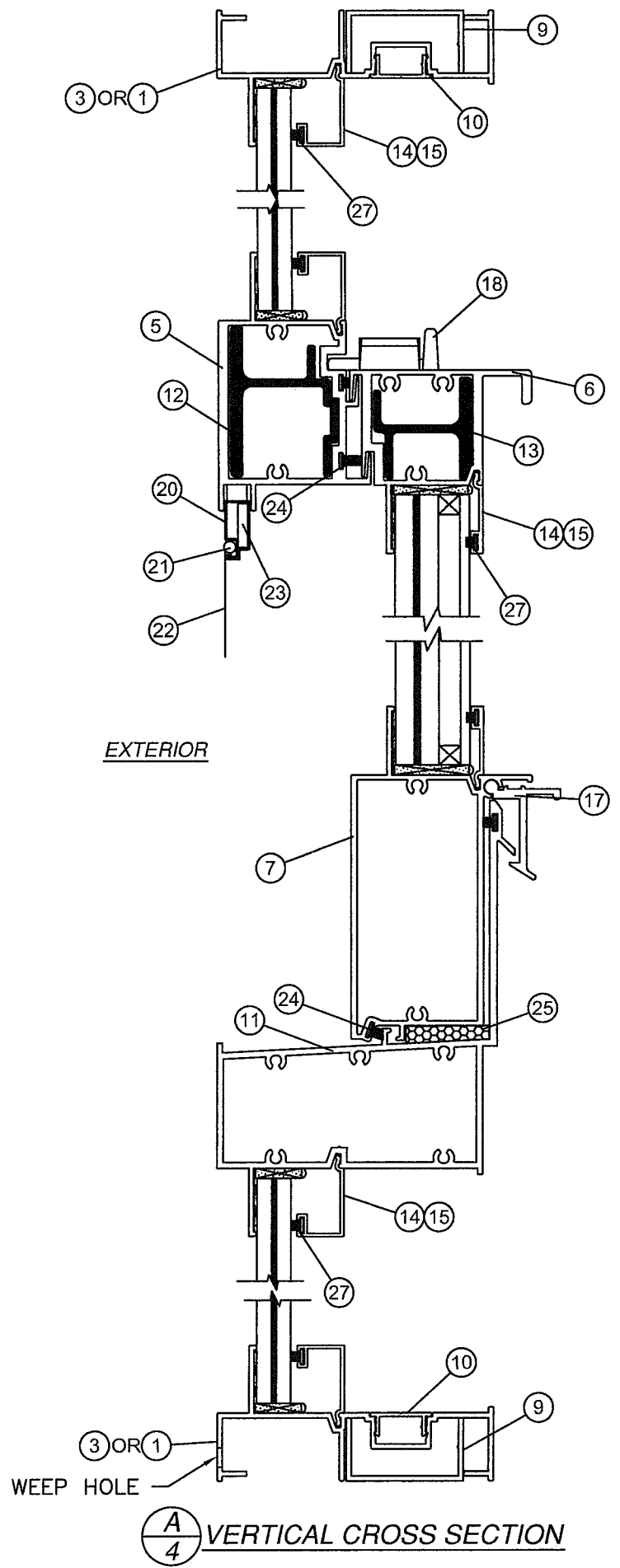
D
3 HORIZONTAL CROSS SECTION

PRODUCT REVISED
as complying with the Florida
Building Code
NOA-No. 20-0826.19
Expiration Date 04/03/2024
By
Miami-Dade Product Control

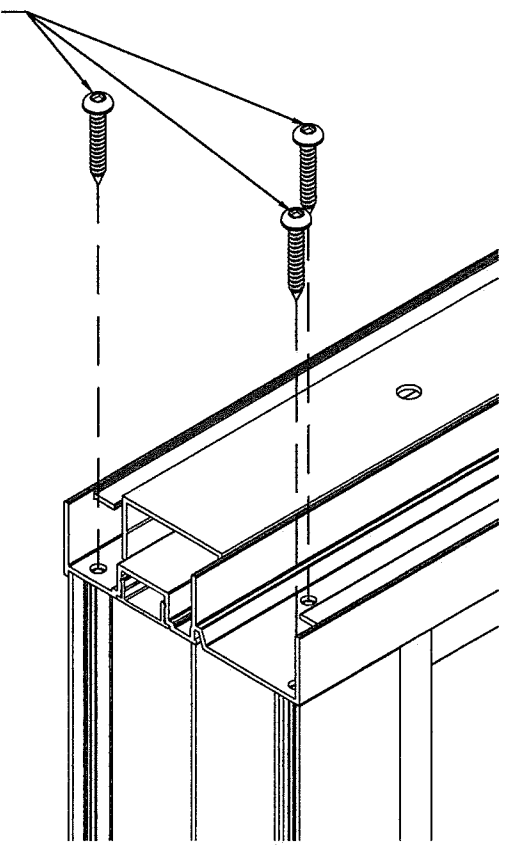
Revision: ADDED DOW 791 & DOW 983 TO BOM.

PREPARED BY A. LYNN MILLER 1070 TECHNOLOGY DRIVE N. VENICE, FL 34275 (941) 480-1600 REGISTRATION #29296	Date	08/10/20
	By	ERIN KOSS
	DWG No.	4030-SMI-NOA
	Sheet	3 OF 9
WINDOOR INCORPORATED WINDOOR INCORPORATED 104 TRIPLE DIAMOND BLVD. NORTH VENICE, FL 34275 (833) 554-5432	ALUMINUM WINDOW WALL (SM) BOM AND GLAZING DETAILS WW4030A	





#8 X 3/4" GRADE 5 SMS OR
SELF DRILLING
SCREW



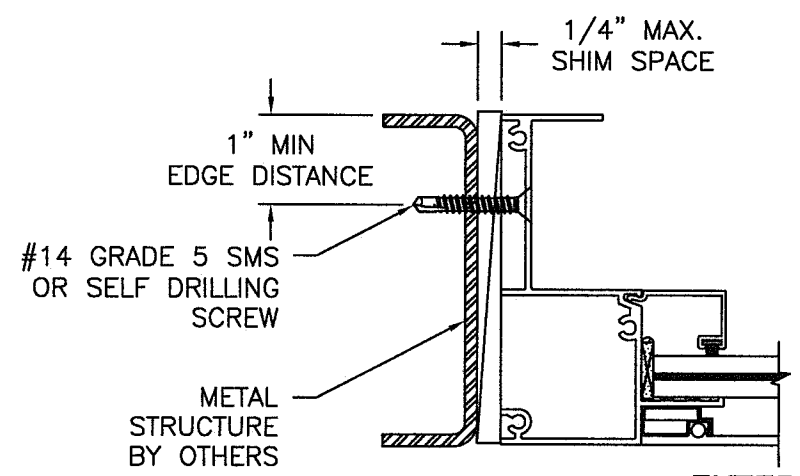
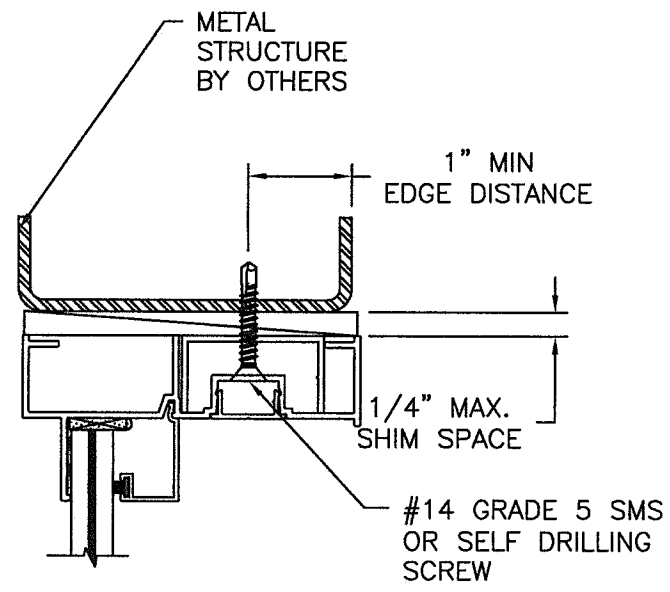
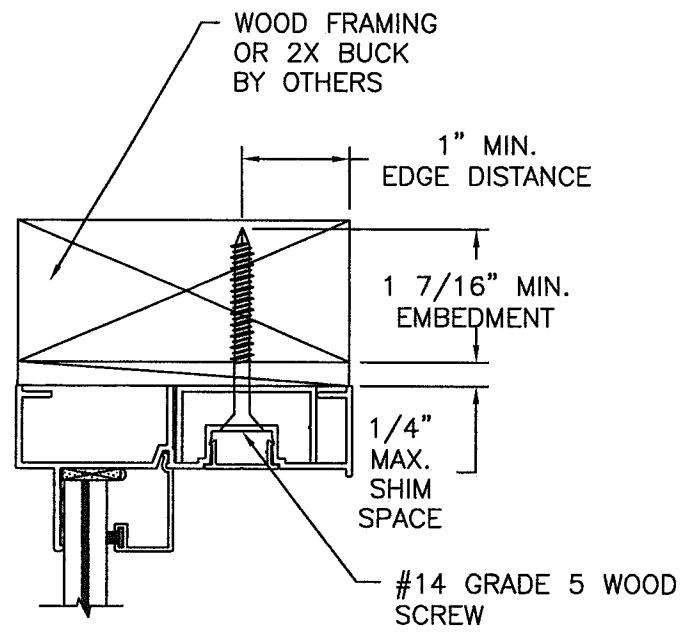
CORNER DETAIL

PRODUCT REVISED
as complying with the Florida
Building Code
NOA-No. 20-0826.19
Expiration Date 04/03/2024
By *[Signature]*
Miami-Dade Product Control

Revision:
NO CHANGES THIS SHEET.

PREPARED BY A. LYNN MILLER 1070 TECHNOLOGY DRIVE N. VENICE, FL 34275 (941) 480-1600 REGISTRATION #29296	Date	08/10/20	Rev.	
	By	ERIN KOSS	DWG No.	4030-SMI-NOA
WINDOOR [®] INCORPORATED WINDOOR INCORPORATED 104 TRIPLE DIAMOND BLVD. NORTH VENICE, FL 34275 (833) 554-5432	ALUMINUM WINDOW WALL (SM)		Sheet	4 OF 9
	SECTION VIEWS - VERTICAL		Series	WW4030A

ANTHONY LYNN MILLER
 LICENSE
 No. 58705
A2
 8/10/20
 STATE OF
 FLORIDA
 PROFESSIONAL ENGINEER
 A. LYNN MILLER, P.E.
 P.E.# 58705

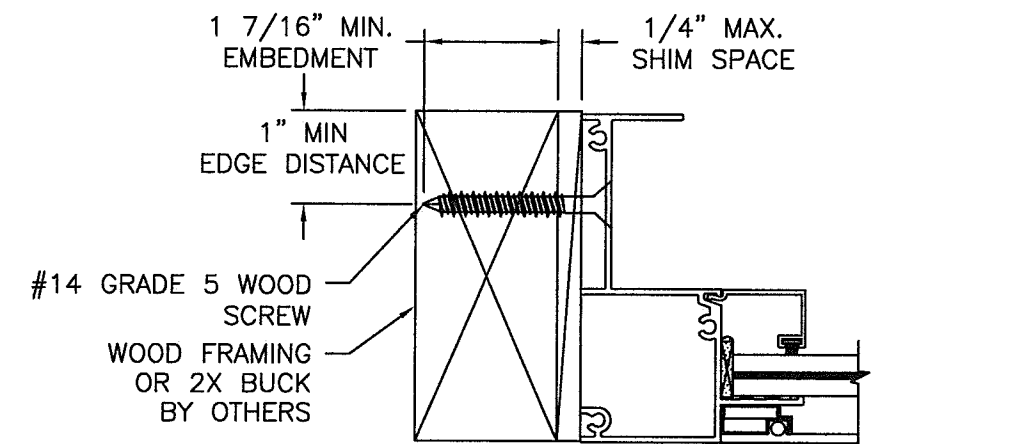
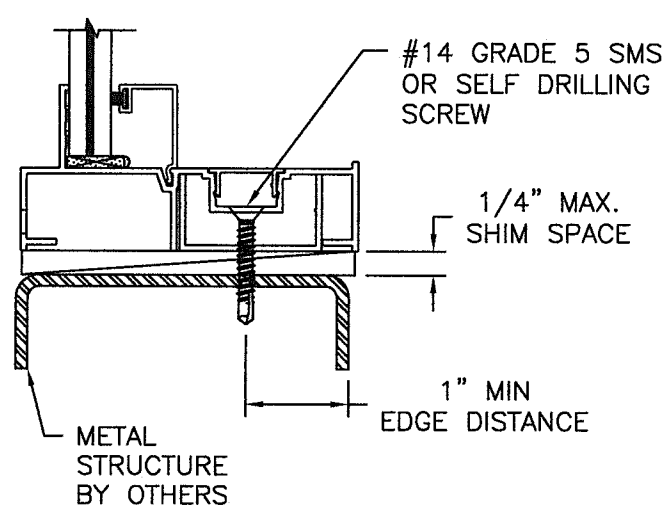
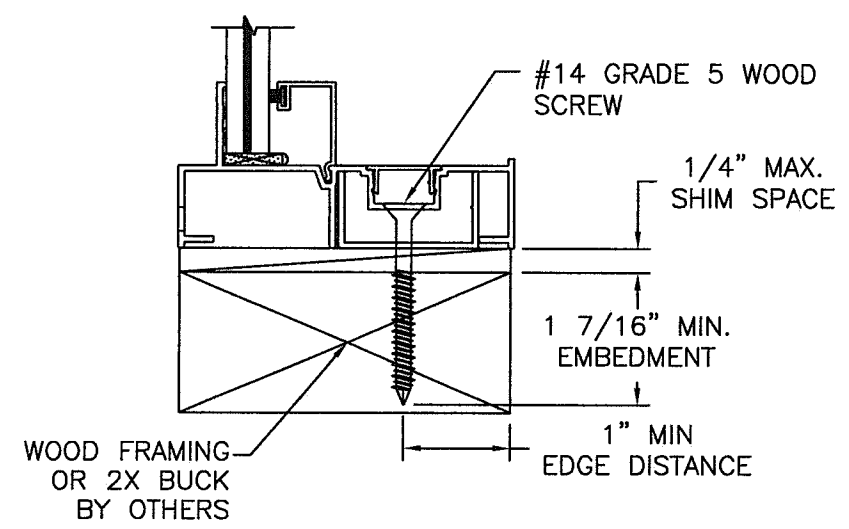


EXTERIOR

EXTERIOR

EXTERIOR

(D/5) JAMB INSTALLATION DETAIL
METAL STRUCTURE INSTALLATION
FIXED WINDOW SHOWN OTHERS SIMILAR



(A/5) VERTICAL CROSS SECTION
WOOD FRAMING OR 2X BUCK INSTALLATION

(A/5) VERTICAL CROSS SECTION
METAL STRUCTURE INSTALLATION

(D/5) JAMB INSTALLATION DETAIL
WOOD FRAMING OR 2X BUCK INSTALLATION
FIXED WINDOW SHOWN OTHERS SIMILAR

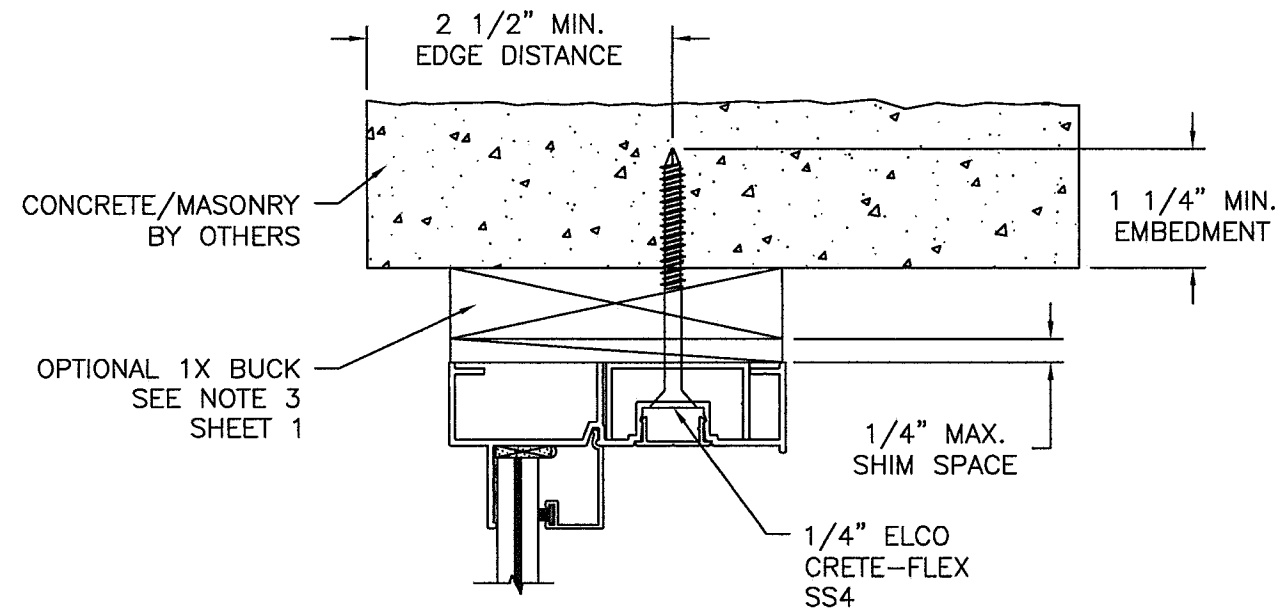
- NOTES:
1. INTERIOR AND EXTERIOR FINISHES, BY OTHERS, NOT SHOWN FOR CLARITY.
 2. PERIMETER AND JOINT SEALANT BY OTHERS TO BE DESIGNED IN ACCORDANCE WITH ASTM E2112

PRODUCT REVISED
as complying with the Florida
Building Code
NOA-No. 20-0826.19
Expiration Date 04/03/2024
By
Miami-Dade Product Control

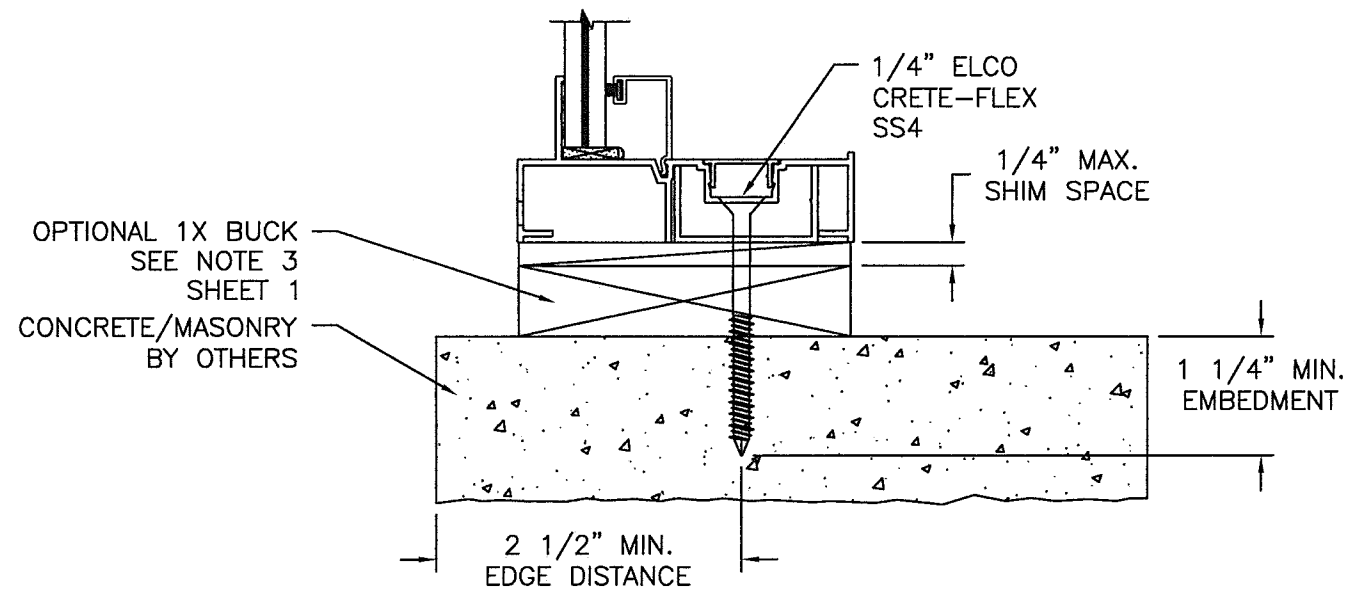
Revision: NO CHANGES THIS SHEET.

PREPARED BY A. LYNN MILLER 1070 TECHNOLOGY DRIVE N. VENICE, FL 34275 (941) 480-1600 REGISTRATION #29296	Date	08/10/20	ERIN KOSS DWG No. 4030-SMI-NOA
	By	ERIN KOSS	
WINDOOR INCORPORATED WINDOOR INCORPORATED 104 TRIPLE DIAMOND BLVD. NORTH VENICE, FL 34275 (833) 554-5432	ALUMINUM WINDOW WALL (SM)		5 OF 9 Sheet
	INSTALLATION DETAILS - EQUAL LEG		
Series Desc. Title		WW4030A	

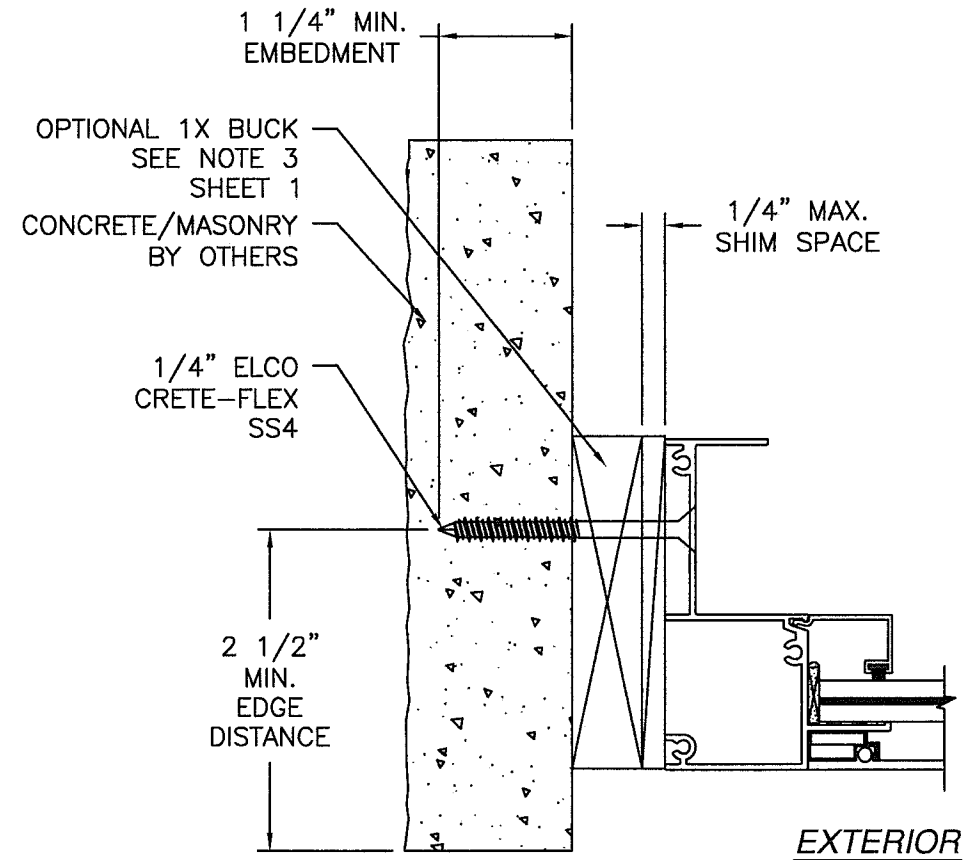
ANTHONY LYNN MILLER
LICENSE
No. 58705
9/28/2020
STATE OF FLORIDA
PROFESSIONAL ENGINEER
A. LYNN MILLER, P.E.
P.E.# 58705



EXTERIOR



A
6 VERTICAL CROSS SECTION
CONCRETE/MASONRY INSTALLATION



EXTERIOR

D
6 JAMB INSTALLATION DETAIL
CONCRETE/MASONRY INSTALLATION
FIXED WINDOW SHOWN OTHERS SIMILAR

- NOTES:
1. INTERIOR AND EXTERIOR FINISHES, BY OTHERS, NOT SHOWN FOR CLARITY.
 2. PERIMETER AND JOINT SEALANT BY OTHERS TO BE DESIGNED IN ACCORDANCE WITH ASTM E2112

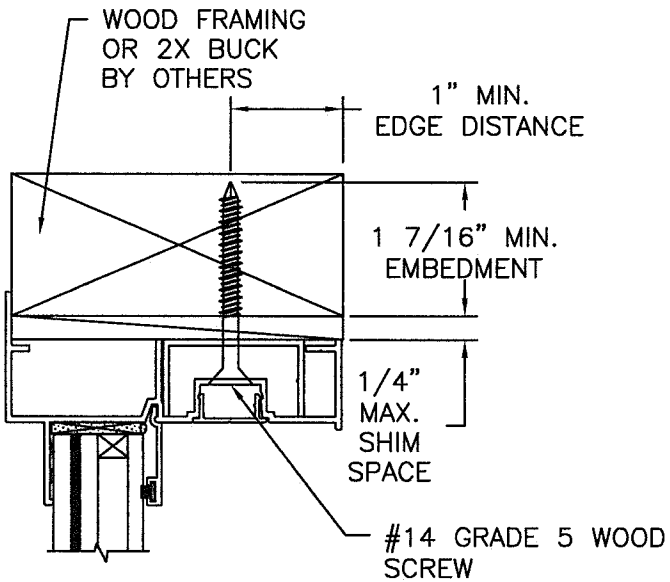
PRODUCT REVISED
as complying with the Florida
Building Code
NOA-No. 20-0826.19
Expiration Date 04/03/2024
By
Miami-Dade Product Control

Revision:
NO CHANGES THIS SHEET.

PREPARED BY A. LYNN MILLER 1070 TECHNOLOGY DRIVE N. VENICE, FL 34275 (941) 480-1600 REGISTRATION #29296	Date	08/10/20
	By	ERIN KOSS
WINDOOR® INCORPORATED WINDOOR INCORPORATED 104 TRIPLE DIAMOND BLVD. NORTH VENICE, FL 34275 (833) 554-5432	DWG No.	4030-SMI-NOA
	Sheet	6 OF 9
Series	Desc.	Title
WW4030A	ALUMINUM WINDOW WALL (SM)	INSTALLATION DETAILS - EQUAL LEG

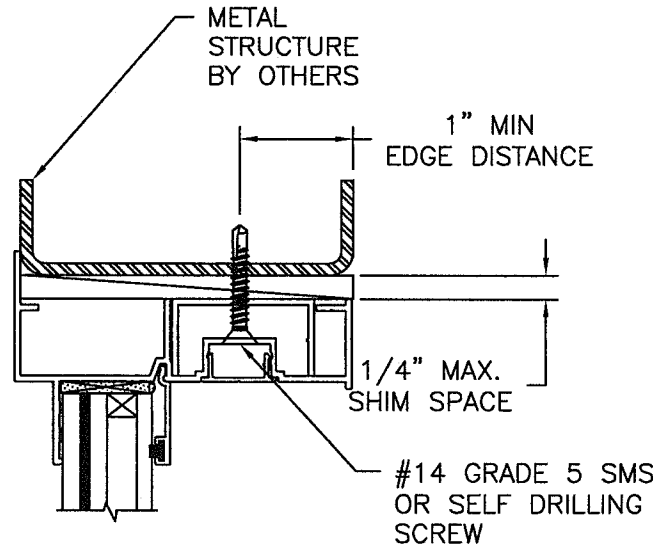
ANTHONY LYNN MILLER
 LICENSE
 No. 58705
 STATE OF
 FLORIDA
 PROFESSIONAL ENGINEER

 A. LYNN MILLER, P.E.
 P.E.# 58705



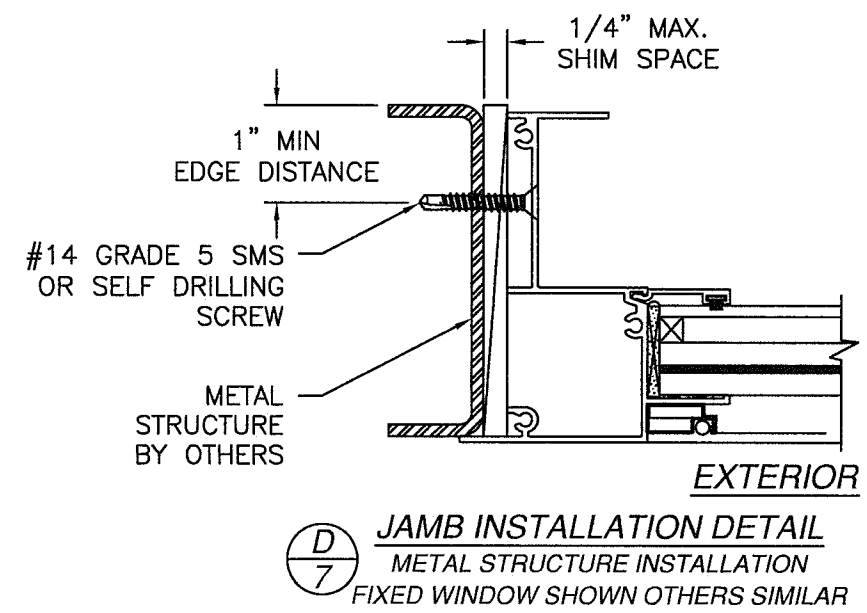
EXTERIOR

(A)
(7) VERTICAL CROSS SECTION
WOOD FRAMING OR 2X BUCK INSTALLATION



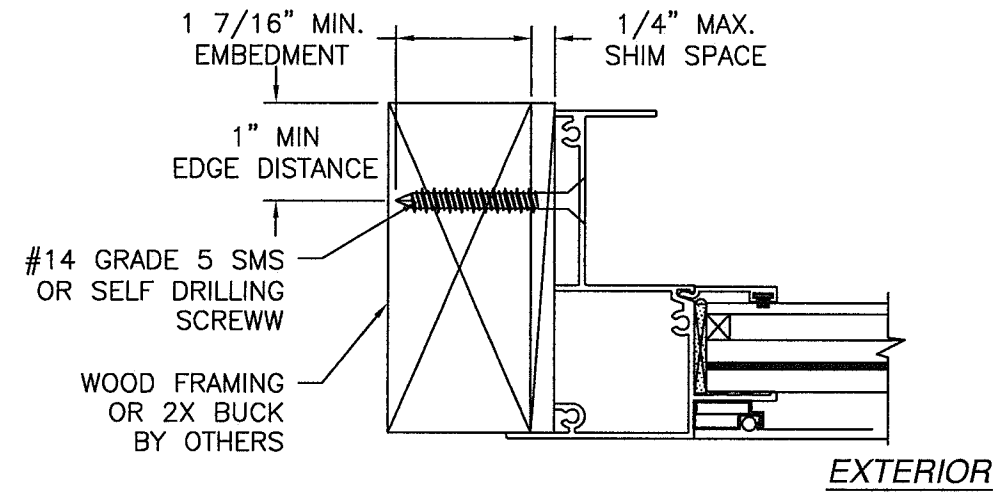
EXTERIOR

(A)
(7) VERTICAL CROSS SECTION
METAL STRUCTURE INSTALLATION



EXTERIOR

(D)
(7) JAMB INSTALLATION DETAIL
METAL STRUCTURE INSTALLATION
FIXED WINDOW SHOWN OTHERS SIMILAR



EXTERIOR

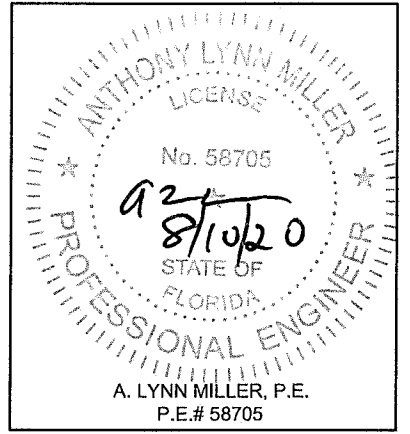
(D)
(7) JAMB INSTALLATION DETAIL
WOOD FRAMING OR 2X BUCK INSTALLATION
FIXED WINDOW SHOWN OTHERS SIMILAR

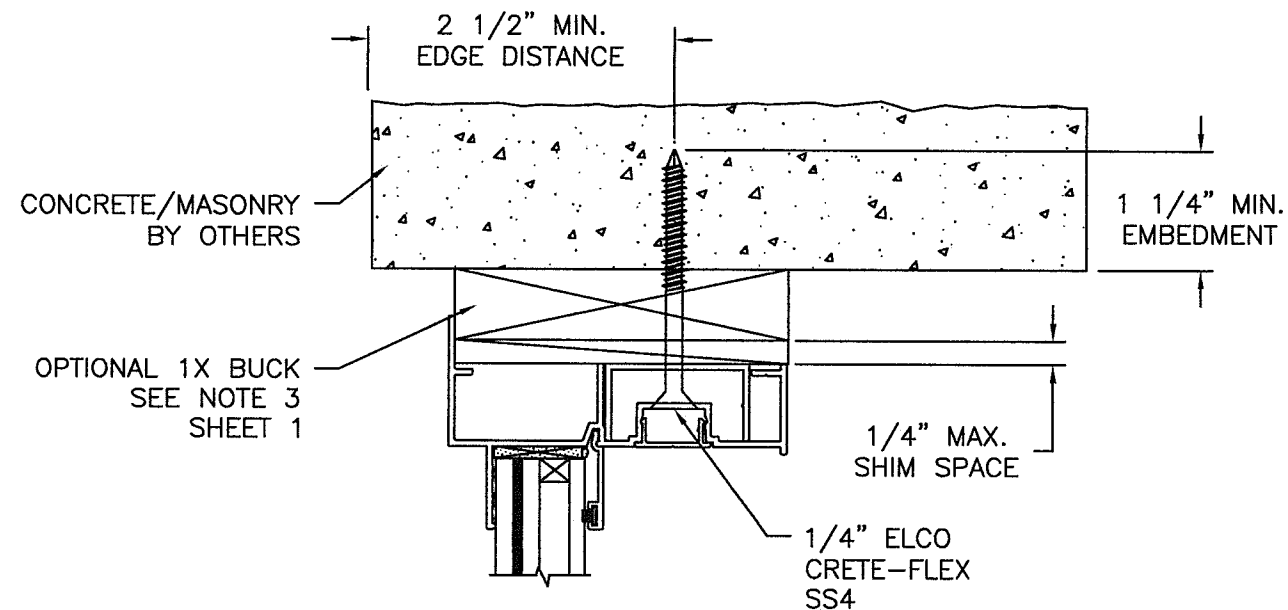
- NOTES:
1. INTERIOR AND EXTERIOR FINISHES, BY OTHERS, NOT SHOWN FOR CLARITY.
 2. PERIMETER AND JOINT SEALANT BY OTHERS TO BE DESIGNED IN ACCORDANCE WITH ASTM E2112

PRODUCT REVISED
as complying with the Florida
Building Code
NOA-No. 20-0826.19
Expiration Date 04/03/2024
By
Miami-Dade Product Control

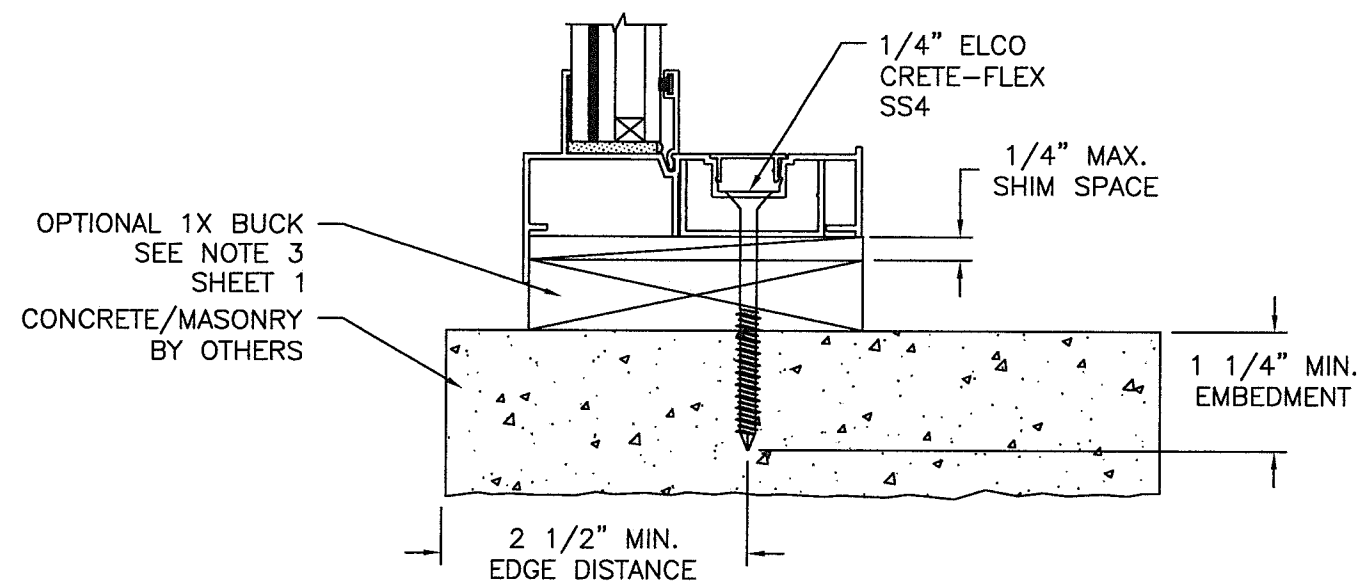
Revision:
NO CHANGES THIS SHEET.

PREPARED BY A. LYNN MILLER 1070 TECHNOLOGY DRIVE N. VENICE, FL 34275 (941) 480-1600 REGISTRATION #29296	Date	08/10/20	Rev.	
	Drawn By	ERIN KOSS	DWG No.	4030-SMI-NOA
WINDOOR INCORPORATED WINDOOR INCORPORATED 104 TRIPLE DIAMOND BLVD. NORTH VENICE, FL 34275 (833) 554-5432	Sheet	7 OF 9	Series	WW4030A
	ALUMINUM WINDOW WALL (SM) INSTALLATION DETAILS - FLANGE			

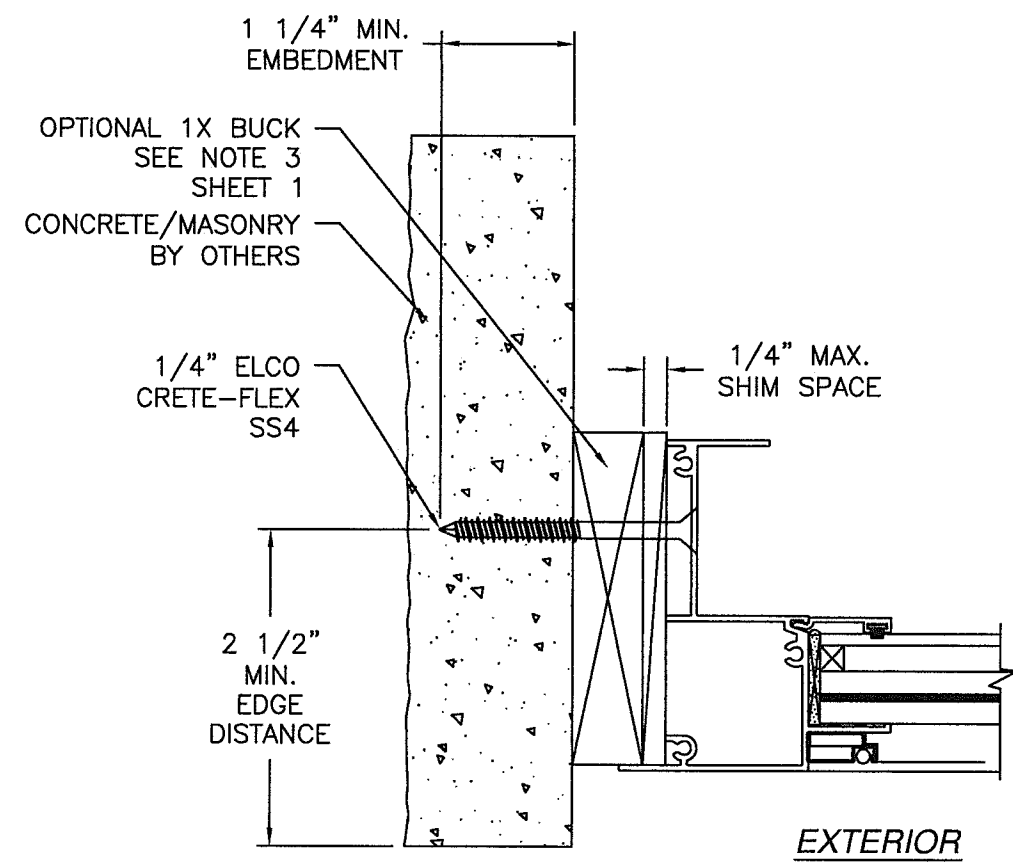




EXTERIOR




A VERTICAL CROSS SECTION
8 CONCRETE/MASONRY INSTALLATION



EXTERIOR

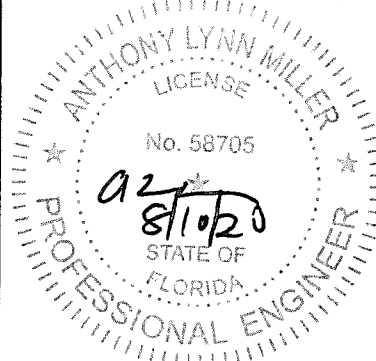
D JAMB INSTALLATION DETAIL
8 CONCRETE/MASONRY INSTALLATION
FIXED WINDOW SHOWN OTHERS SIMILAR

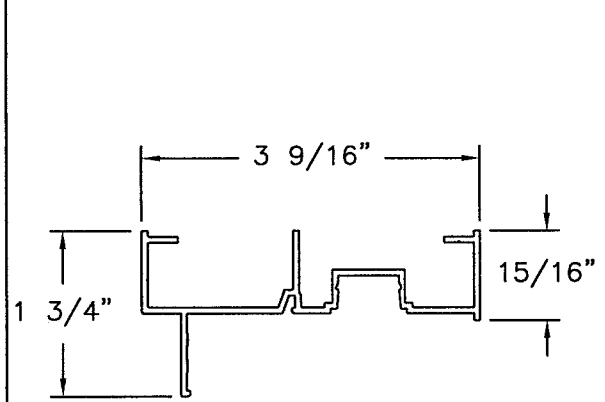
- NOTES:
1. INTERIOR AND EXTERIOR FINISHES, BY OTHERS, NOT SHOWN FOR CLARITY.
 2. PERIMETER AND JOINT SEALANT BY OTHERS TO BE DESIGNED IN ACCORDANCE WITH ASTM E2112

PRODUCT REVISED
as complying with the Florida
Building Code
NOA-No. 20-0826.19
Expiration Date 04/03/2024
By 
Miami-Dade Product Control

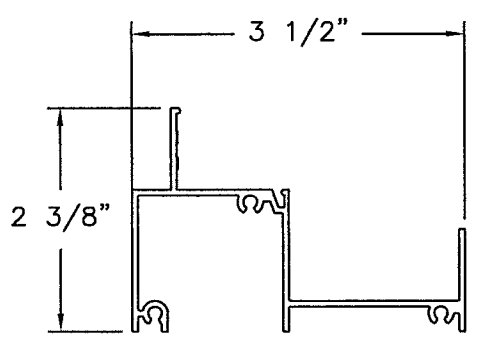
Revision: NO CHANGES THIS SHEET.

PREPARED BY A. LYNN MILLER 1070 TECHNOLOGY DRIVE N. VENICE, FL 34275 (941) 480-1600 REGISTRATION #29296	Date	08/10/20	ERIN KOSS Drawn By	DMC No. 4030-SMI-NOA
	Rev.			
WINDOOR [®] INCORPORATED WINDOOR INCORPORATED 104 TRIPLE DIAMOND BLVD. NORTH VENICE, FL 34275 (833) 554-5432	ALUMINUM WINDOW WALL (SM)		INSTALLATION DETAILS - FLANGE	Sheet 8 OF 9
	Series Desc.			

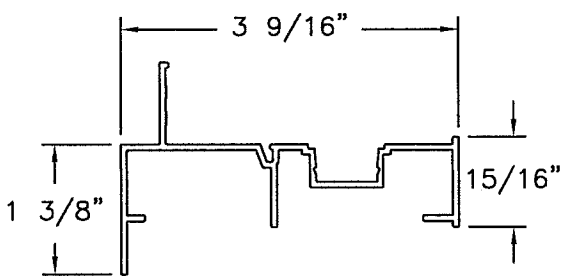

 ANTHONY LYNN MILLER
 LICENSE
 No. 58705
 8/10/20
 STATE OF
 FLORIDA
 PROFESSIONAL ENGINEER
 A. LYNN MILLER, P.E.
 P.E.# 58705



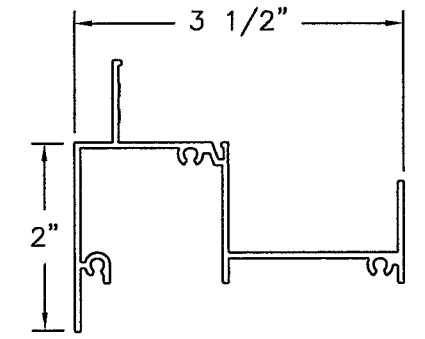
① **FRAME HEAD - EQ LEG
W/ CHANNEL**
ALUMINUM 6063-T6 .062\"/>



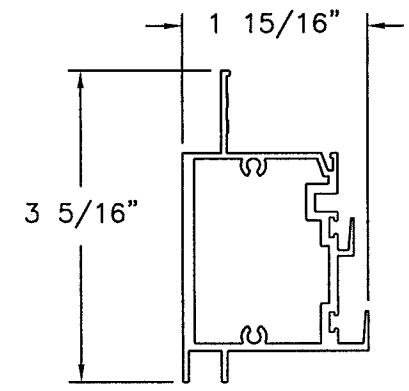
② **FRAME JAMB - EQ LEG**
ALUMINUM 6063-T6 .062\"/>



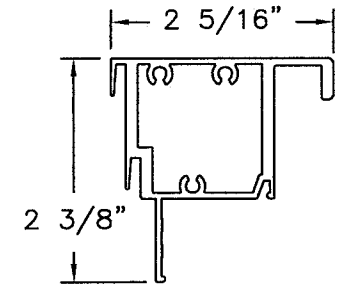
③ **FRAME HEAD FLANGE
W/ CHANNEL**
ALUMINUM 6063-T6 .062\"/>



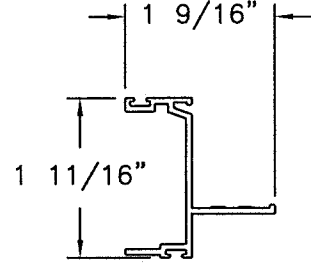
④ **FRAME JAMB FLANGE**
ALUMINUM 6063-T6 .062\"/>



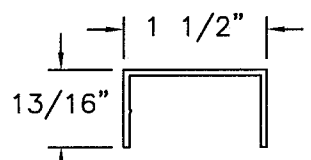
⑤ **FIXED MEETING RAIL**
ALUMINUM 6063-T6 .062\"/>



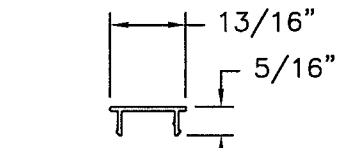
⑥ **MEETING RAIL**
ALUMINUM 6063-T6
.062\"/>



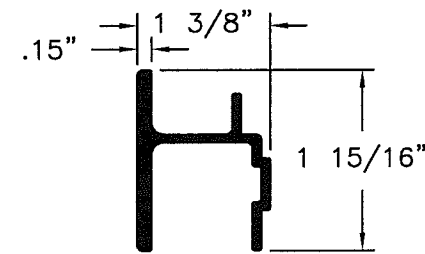
⑧ **SASH JAMB**
ALUMINUM
6063-T6 .070\"/>



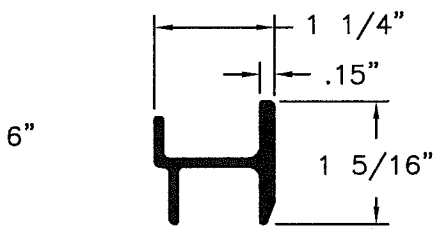
⑨ **HEAD FILLER**
ALUMINUM 6063-T6
.062\"/>



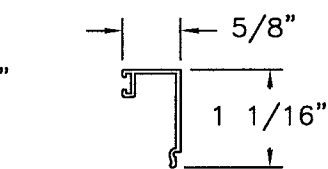
⑩ **JAMB TRACK
COVER**
ALUMINUM 6063-T6
.040\"/>



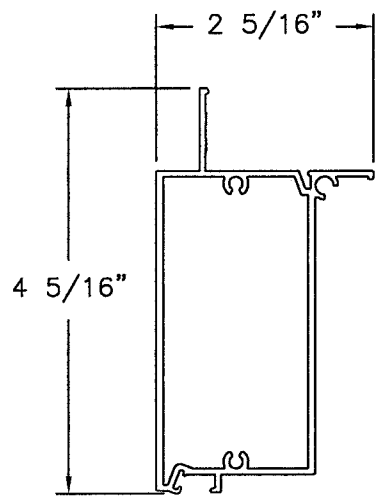
⑫ **FIXED RAIL
REINFORCEMENT**
ALUMINUM 6063-T6
.090\"/>



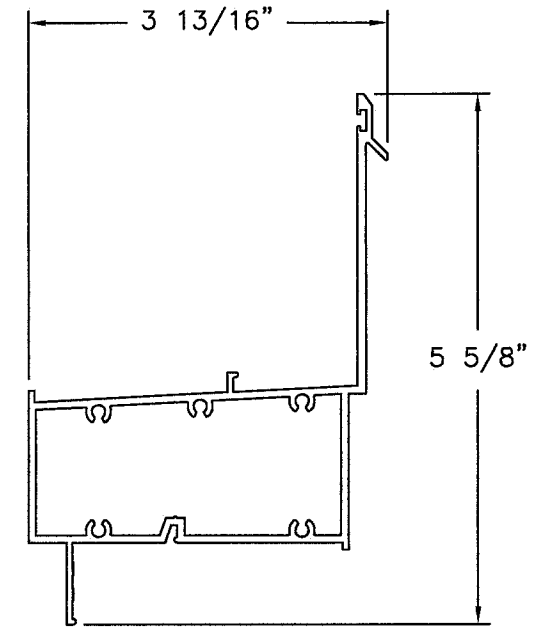
⑬ **SASH RAIL
REINFORCEMENT**
ALUMINUM 6063-T6
.090\"/>



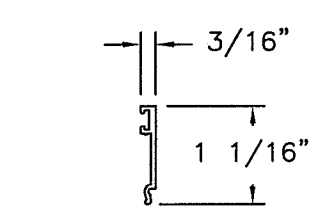
⑭ **7/16\"/>**



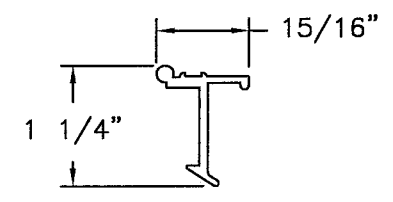
⑦ **BOTTOM RAIL**
ALUMINUM 6063-T6 .062\"/>




⑪ **HORIZONTAL IMPOST**
ALUMINUM 6063-T6 .080\"/>



⑮ **1\"/>**



⑰ **SILL SNAP LOCK**
ALUMINUM 6063-T6
.090\"/>

PRODUCT REVISED
as complying with the Florida
Building Code
NOA-No. 20-0826.19
Expiration Date 04/03/2024
By 
Miami-Dade Product Control

Revision: NO CHANGES THIS SHEET.

WINDOOR® INCORPORATED WINDOOR INCORPORATED 104 TRIPLE DIAMOND BLVD. NORTH VENICE, FL 34275 (833) 554-5432	PREPARED BY A. LYNN MILLER 1070 TECHNOLOGY DRIVE N. VENICE, FL 34275 (941) 480-1600 REGISTRATION #29296	Date: 08/10/20 By: ERIN KOSS Title:	No. 4030-SMI-NOA DWG No. 9 OF 9 Sheet	Rev.
	ALUMINUM WINDOW WALL (SM) EXTRUSIONS WW4030A	Series Desc. Title	No. 4030-SMI-NOA DWG No. 9 OF 9 Sheet	Rev.

