



DEPARTMENT OF REGULATORY AND ECONOMIC RESOURCES (RER)  
BOARD AND CODE ADMINISTRATION DIVISION

**NOTICE OF ACCEPTANCE (NOA)**

MIAMI-DADE COUNTY  
PRODUCT CONTROL SECTION

11805 SW 26 Street, Room 208  
Miami, Florida 33175-2474  
T (786) 315-2590 F (786) 315-2599

[www.miamidade.gov/economy](http://www.miamidade.gov/economy)

**Clopay Corporation  
8585 Duke Boulevard  
Mason, OH 45040**

**SCOPE:** This NOA is being issued under the applicable rules and regulations governing the use of construction materials. The documentation submitted has been reviewed and accepted by Miami-Dade County RER-Product Control Section to be used in Miami-Dade County and other areas where allowed by the Authority Having Jurisdiction (AHJ).

This NOA shall not be valid after the expiration date stated below. The Miami-Dade County Product Control Section (In Miami-Dade County) and/ or the AHJ (in areas other than Miami-Dade County) reserve the right to have this product or material tested for quality assurance purposes. If this product or material fails to perform in the accepted manner, the manufacturer will incur the expense of such testing and the AHJ may immediately revoke, modify, or suspend the use of such product or material within their jurisdiction. RER reserves the right to revoke this acceptance, if it is determined by Miami-Dade County Product Control Section that this product or material fails to meet the requirements of the applicable building code.

This product is approved as described herein and has been designed to comply with the Florida Building Code, including the High Velocity Hurricane Zone.

**DESCRIPTION: 2in Gallery Steel Pan W8 DP46T Sectional Garage Door up to 16ft-2in Wide w/ Optional Impact Resistant Lites**

**APPROVAL DOCUMENT:** Drawing No. **104791**, titled “2” Gallery Pan Doors 16’2”W”, sheets 1 and 4 of 4, dated 05/01/2013, with revision **05** dated 08/28/2020, prepared by Clopay Corporation, signed and sealed by Scott Hamilton, P.E. on 09/10/2020, bearing the Miami-Dade County Product Control revision stamp with the Notice of Acceptance number and expiration date by the Miami-Dade County Product Control Section.

**MISSILE IMPACT RATING: Large and Small Missile Impact Resistant**

**LABELING:** A permanent label with the manufacturer’s name or logo, manufacturing address, model number, the positive and negative design pressure rating, indicate impact rated if applicable, installation instruction drawing reference number, approval number (NOA), the applicable test standards, and the statement reading ‘Miami-Dade County Product Control Approved’ is to be located on the door’s side track, bottom angle, or inner surface of a panel.

**RENEWAL** of this NOA shall be considered after a renewal application has been filed and there has been no change in the applicable building code negatively affecting the performance of this product.

**TERMINATION** of this NOA will occur after the expiration date or if there has been a revision or change in the materials, use, and/ or manufacture of the product or process. Misuse of this NOA as an endorsement of any product, for sales, advertising or any other purposes shall automatically terminate this NOA. Failure to comply with any section of this NOA shall be cause for termination and removal of NOA.

**ADVERTISEMENT:** The NOA number preceded by the words Miami-Dade County, Florida, and followed by the expiration date may be displayed in advertising literature. If any portion of the NOA is displayed, then it shall be done in its entirety.

**INSPECTION:** A copy of this entire NOA shall be provided to the user by the manufacturer or its distributors and shall be available for inspection at the job site at the request of the Building Official.

This NOA revises NOA # **18-0522.02** and consists of this page 1 and evidence pages E-1, E-2, E-3 and E-4, as well as approval document mentioned above.

The submitted documentation was reviewed by **Carlos M. Utrera, P.E.**



NOA-No. 20-0922.34  
Expiration Date: August 01, 2023  
Approval Date: November 25, 2020  
Page 1

**NOTICE OF ACCEPTANCE: EVIDENCE SUBMITTED**

**1. Evidence submitted under previous NOA's**

**A. DRAWINGS “Submitted under NOA # 15-0225.26”**

1. Drawing No. **104791**, titled “2” Gallery Pan Doors 16’2”W”, sheets 1 and 4 of 4, dated 05/01/2013, with revision **03** dated 2/2015, prepared by Clopay Building Products Company, signed and sealed by Scott Hamilton, P.E.

**B. TESTS “Submitted under NOA # 13-0510.04”**

1. Addendum letter to Test Report No. **ATLNC 0220-01-13**, dated 06/18/2013, signed and sealed by David W. Johnson, P.E.
2. Test reports on
  - 1) Uniform Static Air Pressure Test, Loading per FBC TAS 202-94
  - 2) Large Missile Impact Test per FBC, TAS 201-94
  - 3) Cyclic Wind Pressure Loading per FBC, TAS 203-94
  - 4) Forced Entry Test, per FBC, TAS 202-94
  - 5) Tensile Test per ASTM E8

Along with marked-up drawings and installation diagram of 16’2”x 8’, 24ga steel garage door Model GD4SW8 with windows, prepared by American Test Lab, Inc., Test Report No. **ATLNC 0220-01-13**, dated 04/29/2013, signed and sealed by David W. Johnson, P.E.

3. Test report on Salt Spray per ASTM B117 of painted G40 galvanized coated panels, prepared by Stork Materials Technology, Test Report No. **30160-04-63365**, dated 01/26/2005, signed by John D. Lee, P.E.

**C. CALCULATIONS “Submitted under NOA # 13-0510.04”**

1. Jamb anchor calculations prepared by Clopay Building Products Company, dated 05/03/2013, signed and sealed by Scott Hamilton, P.E.

**D. QUALITY ASSURANCE**

1. Miami-Dade Department of Regulatory and Economic Resources (RER).

**E. MATERIAL CERTIFICATIONS**

1. None.

**F. STATEMENTS “Submitted under NOA # 15-0225.26”**

1. Statement letter of code conformance with the 2010 and the 5<sup>th</sup> edition (2014) FBC issued by Clopay Building Products Company, dated 02/18/2015, signed and sealed by Scott Hamilton, P.E.

**“Submitted under NOA # 14-0617.02”**

2. Statement letters of code conformance to 2010 FBC and no financial interest, both issued by Clopay Building Products Company, dated 06/10/2014, signed and sealed by Scott Hamilton, P.E.



---

**Carlos M. Utrera, P.E.**  
**Product Control Examiner**  
**NOA-No. 20-0922.34**  
**Expiration Date: August 01, 2023**  
**Approval Date: November 25, 2020**

**Clopay Corporation**

**NOTICE OF ACCEPTANCE: EVIDENCE SUBMITTED**

**2. Evidence submitted under NOA # 17-1016.23**

**A. DRAWINGS**

1. Drawing No. **104791**, titled "2" Gallery Pan Doors 16'2"W", sheets 1 and 4 of 4, dated 05/01/2013, with revision **04** dated 7/2017, prepared by Clopay Building Products Company, signed and sealed by Scott Hamilton, P.E.

**B. TESTS**

1. None.

**C. CALCULATIONS**

1. None.

**D. QUALITY ASSURANCE**

1. Miami-Dade Department of Regulatory and Economic Resources (RER).

**E. MATERIAL CERTIFICATIONS**

1. Notice of Acceptance No. **15-0915.08** issued to SABIC Innovative Plastics US, LLC for their Lexan Polycarbonate Sheet Products, approved on 12/10/2015, expiring on 07/17/2018.
2. Notice of Acceptance No. **17-0410.01** issued to Bayer Material Science LLC (MA) for their Makrolon Polycarbonate Sheets, approved on 06/08/2017, expiring on 08/27/2022.

**F. STATEMENTS**

1. Statement letter of code conformance to **6<sup>th</sup> Edition (2017) FBC**, issued by Clopay Building Products Company, dated 10/04/2017, signed and sealed by Scott Hamilton, P.E.



---

**Carlos M. Utrera, P.E.**  
**Product Control Examiner**  
**NOA-No. 20-0922.34**  
**Expiration Date: August 01, 2023**  
**Approval Date: November 25, 2020**

**Clopay Corporation**

**NOTICE OF ACCEPTANCE: EVIDENCE SUBMITTED**

**3. Evidence submitted under NOA # 18-0522.02**

**A. DRAWINGS**

1. Drawing No. **104791**, titled "2" Gallery Pan Doors 16'2"W", sheets 1 and 4 of 4, dated 05/01/2013, with revision **04** dated 7/2017, prepared by Clopay Building Products Company, signed and sealed by Scott Hamilton, P.E. on 05/16/2018.

**B. TESTS**

1. None.

**C. CALCULATIONS**

1. None.

**D. QUALITY ASSURANCE**

1. Miami-Dade Department of Regulatory and Economic Resources (RER).

**E. MATERIAL CERTIFICATIONS**

1. None.

**F. STATEMENTS**

1. Statement letter of code conformance to 6<sup>th</sup> Edition (2017) FBC issued by Clopay Building Products Company, dated 05/16/2018, signed and sealed by Scott Hamilton, P.E.
2. Statement letter of no financial interest issued by Clopay Building Products Company, dated 05/16/2018, signed and sealed by Scott Hamilton, P.E.



---

**Carlos M. Utrera, P.E.**  
**Product Control Examiner**  
**NOA-No. 20-0922.34**  
**Expiration Date: August 01, 2023**  
**Approval Date: November 25, 2020**

**Clopay Corporation**

**NOTICE OF ACCEPTANCE: EVIDENCE SUBMITTED**

**4. NEW EVIDENCE SUBMITTED**

**A. DRAWINGS**

1. Drawing No. **104791**, titled "2" Gallery Pan Doors 16'2"W", sheets 1 and 4 of 4, dated 05/01/2013, with revision **05** dated 08/28/2020, prepared by Clopay Corporation, signed and sealed by Scott Hamilton, P.E. on 09/10/2020.

**B. TESTS**

1. None.

**C. CALCULATIONS**

1. None.

**D. QUALITY ASSURANCE**

1. Miami-Dade Department of Regulatory and Economic Resources (RER).

**E. MATERIAL CERTIFICATIONS**

1. None.

**F. STATEMENTS**

1. Statement letters of code conformance to **6<sup>th</sup> Edition (2017) and 7<sup>th</sup> Edition (2020) FBC**, issued by Clopay Corporation, dated 09/15/2020, signed and sealed by Scott Hamilton, P.E.
2. Certificate of amendment changing the company name from Clopay Building Products Company, Inc. to Clopay Corporation, issued by the State of Delaware, dated 08/27/2019.



---

**Carlos M. Utrera, P.E.**  
**Product Control Examiner**  
**NOA-No. 20-0922.34**  
**Expiration Date: August 01, 2023**  
**Approval Date: November 25, 2020**

MODELS	SHORT
CLOPAY GALLERY	GD4S, GR4S
HOLMES ARTISTRY IDEAL EXPRESSIONS	AR4S
	ED4S

SEE SHEET 4 FOR "GRAND HARBOR" MODELS.

THIS PRODUCT CONFORMS TO THE REQUIREMENTS OF 6TH AND 7TH EDITION OF THE FLORIDA BUILDING CODE

SHEET: 1 OF 4

REVISIONS					
REV. NO.	ZONE:	DATE:	ECN NO.	APPVD:	DESCRIPTION
02	S1:C3-4	06/10/14	-	SH	ADDED OPTIONAL LOUVER VENTS.
03	-	2/2015	-	SH	ADDED CODE COMPLIANCE STATEMENT.
04	-	07/17/17	-	SH	UPDATED CODE COMPLIANCE STATEMENT TO ADD 6TH EDITION FBC.
05	-	8/28/20	-	SH	UPDATED TITLE BLOCK AND CODE COMPLIANCE STATEMENT TO 7TH

OPTIONAL IMPACT RESISTANT GLAZING. MAXIMUM GLAZING SIZE (DLO) IS 16-1/2"x13". SEE SECTION B-B ON THIS SHEET FOR DETAILS.

20 GA. INTERMEDIATE STILES BETWEEN EACH EMBOSS, ATTACHED WITH TOG-L-LOCS (TOP AND BOTTOM) AND URETHANE ADHESIVE (ALONG CENTER).

(2) 12 GA. GALV. STEEL TOP ROLLER BRACKETS. SEE SECTION A-A ON SHEET TWO FOR DETAILS.

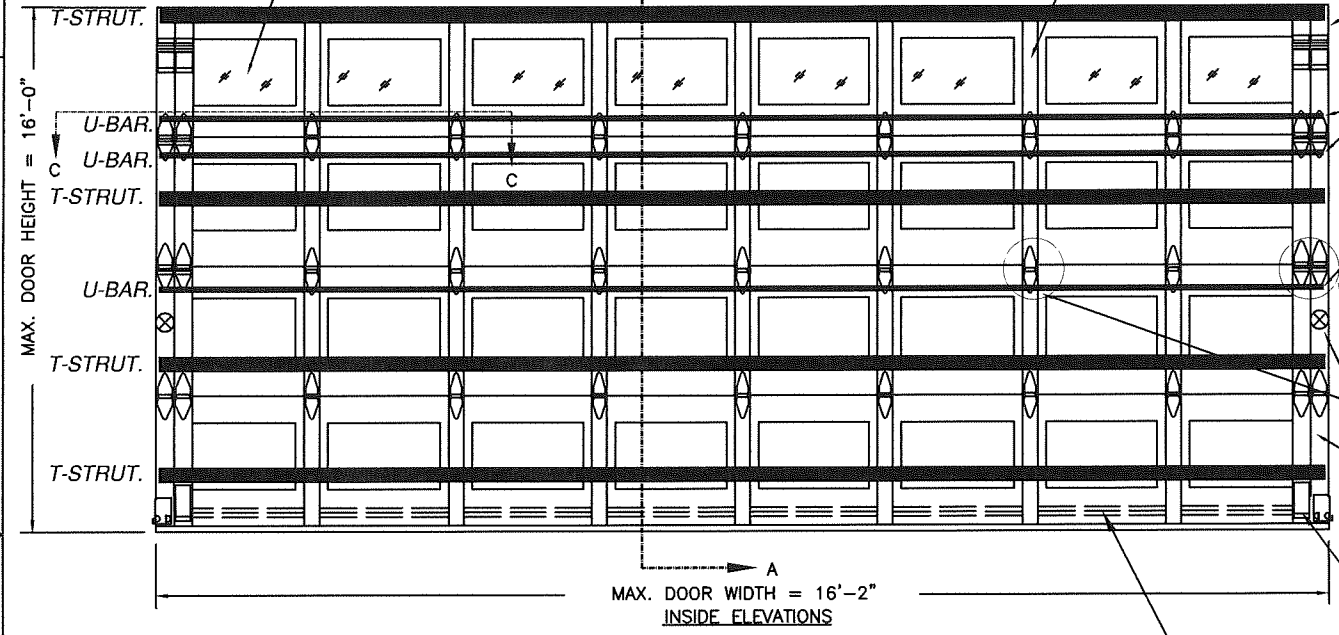
THE U-BAR MAY BE MOVED TO THE BOTTOM OF THE LITE SECTION AS SHOWN. IF SO, THE TOP OF THE SECTION BELOW THE LITE SECTION MUST HAVE A 3" U-BAR.

3" 20 GAGE 80 KSI MIN. U-BARS ON THE TOP OF EVERY OTHER SECTION, STARTING WITH THE SECOND SECTION FROM THE BOTTOM. U-BARS ARE NOT REQUIRED ON DOORS WHERE ALL SECTIONS ARE 21" SECTION HEIGHT.

VIEW "B".  
VIEW "C".  
TWO POINT LOCKING INTO TRACK.  
16 GA. MIN. GALV. STEEL END STILES.

(2) STACKED 12 GA. 1-1/2" X 5" LHR BRACKET.

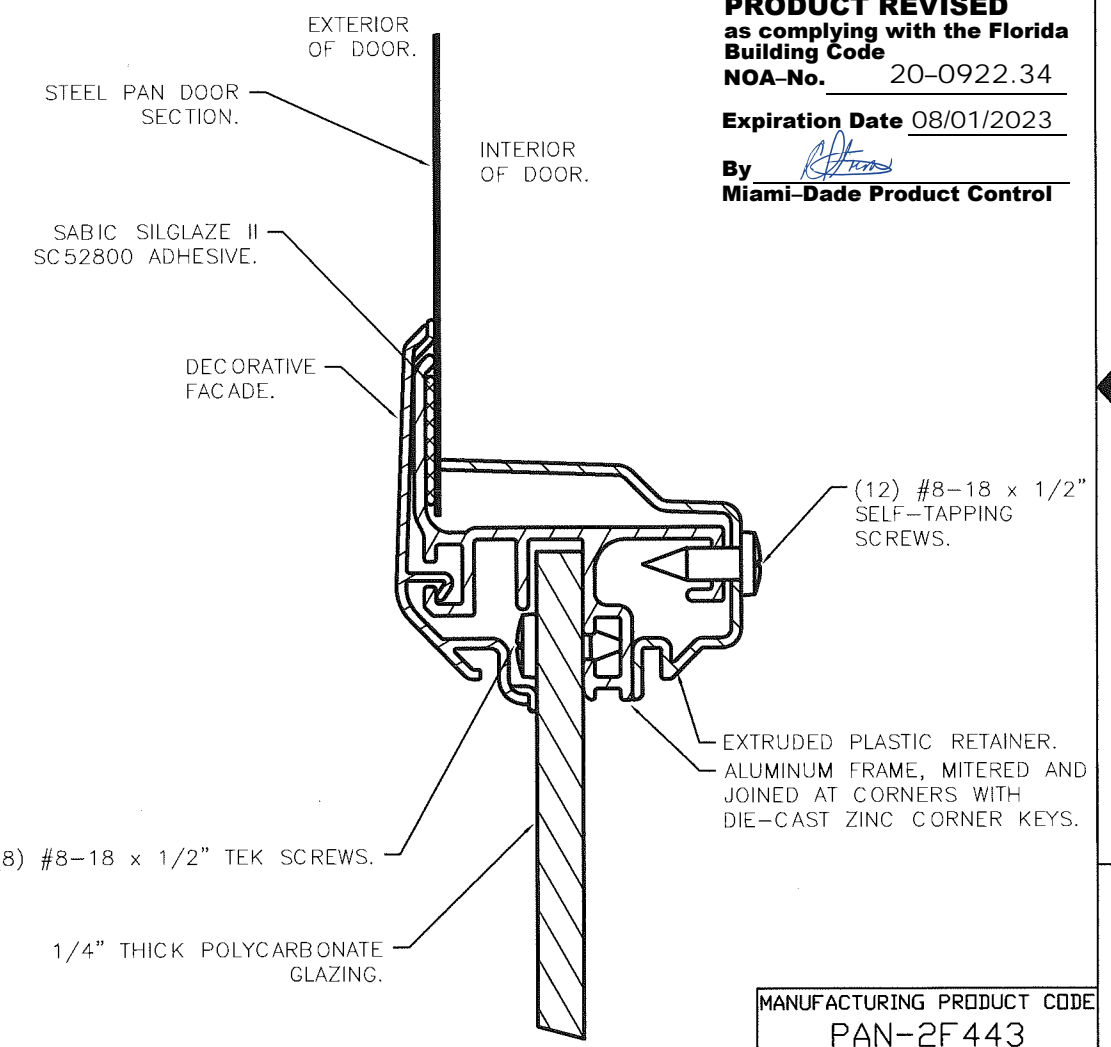
LOCATION OF OPTIONAL VENTS. TOTAL VENT OPENINGS: 60 IN<sup>2</sup> PER VEHICLE.



DOOR HEIGHT	# OF SECTIONS
UP TO 8'0"	4
8'3" TO 10'0"	5
10'3" TO 12'0"	6
12'3" TO 14'0"	7
14'3" TO 16'0"	8
MAX SECTION HEIGHT: 24"	

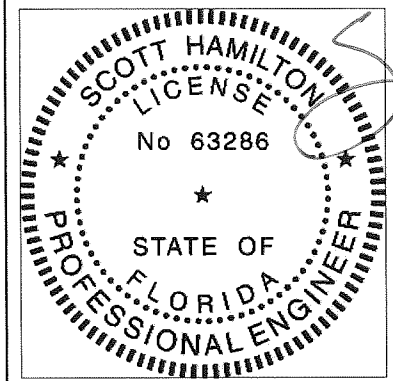
**IMPACT-RESISTANT CONSTRUCTION:**  
SOLID DOORS (NO GLAZING) OR DOORS WITH OPTIONAL IMPACT-RESISTANT GLAZING ARE IMPACT-RESISTANT. OPTIONAL IMPACT RESISTANT ASSEMBLY CONSISTS OF ALUMINUM FRONT FRAME AND SABIC INNOVATIVE PLASTICS LEXAN MR10, AN APPROVED CC1 PLASTIC IN ACCORDANCE WITH IBC/FBC 2606 AND AN APPROVED C1 PLASTIC IN ACCORDANCE WITH FBC 2612.  
THE ENTIRE DOOR ASSEMBLY INSTALLED IN COMPLIANCE WITH THIS SECTION MEETS THE WIND LOAD REQUIREMENTS OF THE FLORIDA BUILDING CODE AND INTERNATIONAL BUILDING CODE AND IS LARGE- AND SMALL-MISSILE IMPACT RESISTANT.

**SECTION B-B (IMPACT-RESISTANT GLAZING OPTION)**

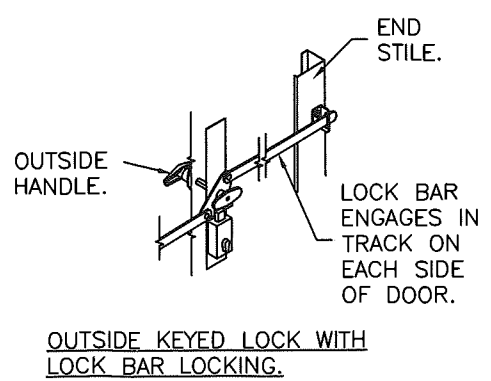
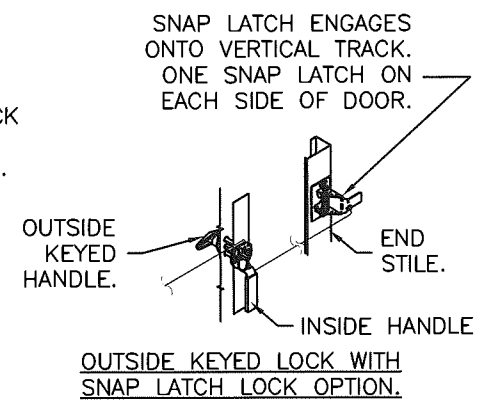
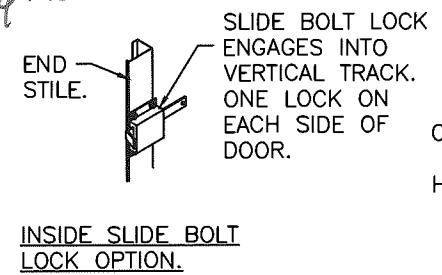


**PRODUCT REVISED**  
as complying with the Florida Building Code  
NOA-No. 20-0922.34  
Expiration Date 08/01/2023  
By *[Signature]*  
Miami-Dade Product Control

DESIGN LOADS: +46.0 P.S.F. & -52.0 P.S.F.



DESIGN ENGINEER:  
SCOTT HAMILTON, P.E.  
FLORIDA LICENSE No. 63286



Unless Stated Otherwise TOLERANCES are  
.0 = ±.031  
.00 = ±.015  
.000 = ±.005  
.0000 = ±.001  
Degrees = ±1/2°  
Unless Stated Otherwise DIMENSIONS ARE IN INCHES.

**Clopay CORPORATION**  
8585 Duke Boulevard  
Mason, OH 45040 USA  
Tel. No. 513-770-4800  
Fax No. 513-770-4853

MANUFACTURING PRODUCT CODE PAN-2F443	
PART NO.: N/A	
WINDLOAD RATING W8 DP46T	
DESCRIPTION: 2" GALLERY PAN DOORS 16'2"W (SEE TABLE)	
DRAWN BY: SH	DATE: 5/1/13
CHECKED BY: SH	DATE: 5/1/13
DWG. NO.: 104791	VER: M-D

MODELS	SHORT
CLOPAY GALLERY	GD4S, GR4S
HOLMES ARTISTRY IDEAL EXPRESSIONS	AR4S ED4S
SEE SHEET 4 FOR "GRAND HARBOR" MODELS.	

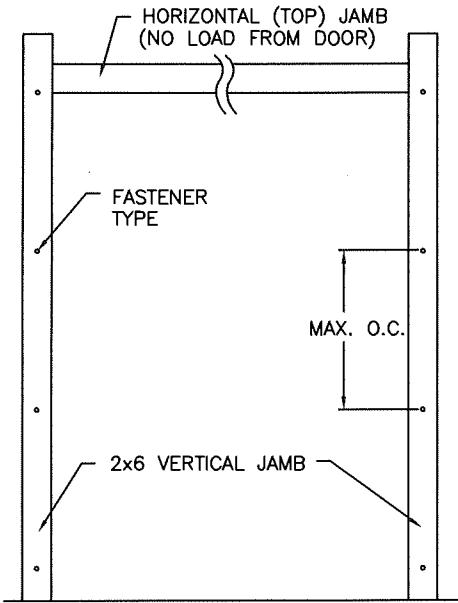
SHEET: 2 OF 4

REVISIONS					
REV. NO.	ZONE:	DATE:	ECN NO.	APPVD:	DESCRIPTION
05	-	-	-	-	SEE REVISION HISTORY ON SHEET ONE.

**JAMB TO SUPPORTING STRUCTURE ATTACHMENT**

**NOTES:**

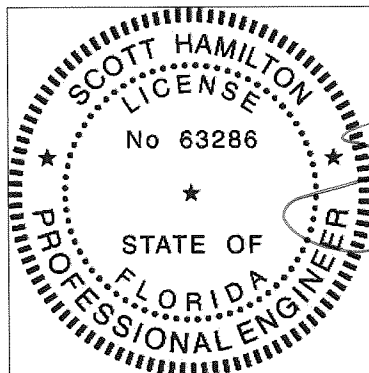
1. ALL THE LOAD FROM THE DOOR IS TRANSFERRED TO THE TRACK AND THEN FROM THE TRACK TO THE 2x6 VERTICAL SYP (GRADE #2 OR BETTER) JAMBS. NO LOAD FROM THE DOOR IS TRANSFERRED TO THE HORIZONTAL (TOP) JAMB.
2. EACH VERTICAL JAMB SEES A MAXIMUM DESIGN LOAD OF +368 LB & -416 LB. PER LINEAR FOOT OF JAMB.
3. ALL JAMB FASTENERS MAY BE (BUT ARE NOT REQUIRED TO BE) COUNTERSUNK TO PROVIDE A FLUSH MOUNTING SURFACE.
4. A 1/3 STRESS INCREASE FOR WIND LOAD WAS NOT USED IN THE CALCULATION OF ALLOWABLE LOADS FOR ANCHORS AND FASTENERS FOR STEEL, CONCRETE AND MASONRY.



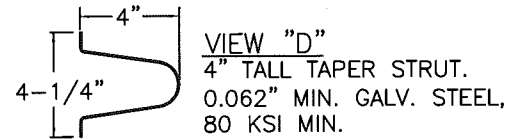
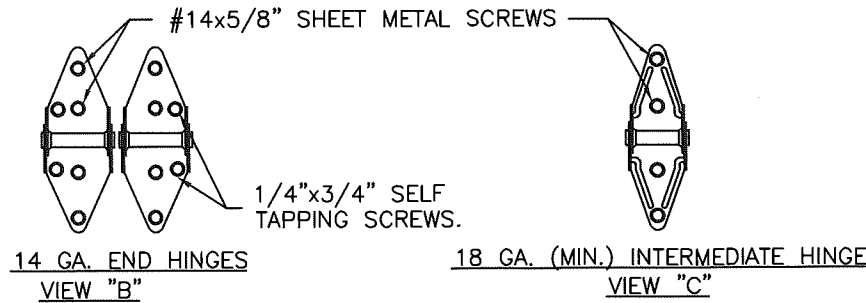
**2x6 JAMB TO SUPPORTING STRUCTURE ATTACHMENT**  
(NOT TO BE USED FOR ATTACHMENT OF TRACK ANGLE TO 2x6 VERTICAL JAMBS OR SUPPORTING STRUCTURE)

BUILDING TYPE	FASTENER TYPE	MAXIMUM ON-CENTER DISTANCE BETWEEN FASTENERS*	STEEL WASHERS REQUIRED?
HOLLOW CMU BLOCK WALL	1/4" x 1-1/4" MIN. EMBED ULTRACON CONCRETE ANCHOR	4-1/2"	1" O.D.
GROUT-FILLED CMU BLOCK	1/4" x 1-3/4" MIN. EMBED ULTRACON CONCRETE ANCHOR	7-1/2"	1" O.D.
2000 PSI MIN. CONCRETE	1/4" x 1" MIN. EMBED ULTRACON CONCRETE ANCHOR	6-1/4"	1" O.D.
2000 PSI MIN. CONCRETE	1/4" x 1" MIN. EMBED TAPCON CONCRETE ANCHOR	3-1/2"	1" O.D.
2000 PSI MIN. CONCRETE	3/8" X 1-3/4" MIN. EMBED WEJ-IT ANKR TITE SLEEVE ANCHOR	13-1/2"	INCLUDED
4000 PSI MIN. CONCRETE	3/8" X 1-3/4" MIN. EMBED WEJ-IT ANKR TITE SLEEVE ANCHOR	24"	INCLUDED
WOOD FRAME (SYP 0.55 SG)	1/2" x 3" LAG SCREW (ASTM A307, GRADE A) 1-5/8" EMBED INTO STRUCTURE	14-3/4"	1" O.D.

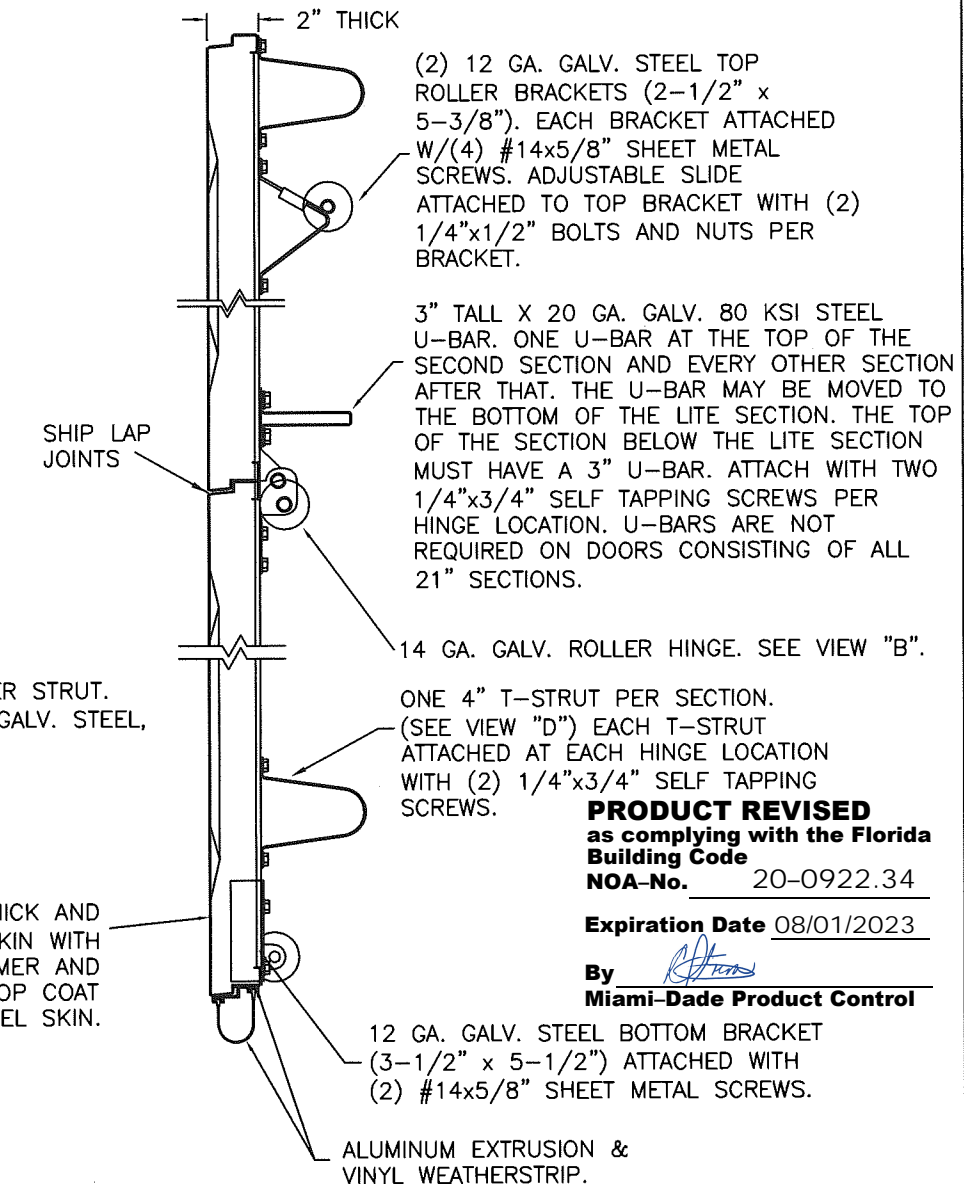
\* FIRST (BOTTOM) ANCHOR STARTING AT NO MORE THAN HALF OF THE MAXIMUM ON-CENTER DISTANCE. HIGHEST ANCHOR INSTALLED AT LEAST AS HIGH AS THE DOOR OPENING.  
CLOPAY DOES NOT SUPPLY JAMB ATTACHMENT FASTENERS.  
MINIMUM DISTANCE BETWEEN CENTER OF ANCHOR AND EDGE OF CONCRETE BLOCK: 2-1/2", EXCLUDING STUCCO THICKNESS.



DESIGN ENGINEER:  
SCOTT HAMILTON, P.E.  
FLORIDA LICENSE No. 63286



**VIEW "D"**  
4" TALL TAPER STRUT.  
0.062" MIN. GALV. STEEL,  
80 KSI MIN.



**SECTION A-A (SIDE VIEW)**

(2) 12 GA. GALV. STEEL TOP ROLLER BRACKETS (2-1/2" x 5-3/8"). EACH BRACKET ATTACHED W/(4) #14x5/8" SHEET METAL SCREWS. ADJUSTABLE SLIDE ATTACHED TO TOP BRACKET WITH (2) 1/4"x1/2" BOLTS AND NUTS PER BRACKET.

3" TALL X 20 GA. GALV. 80 KSI STEEL U-BAR. ONE U-BAR AT THE TOP OF THE SECOND SECTION AND EVERY OTHER SECTION AFTER THAT. THE U-BAR MAY BE MOVED TO THE BOTTOM OF THE LITE SECTION. THE TOP OF THE SECTION BELOW THE LITE SECTION MUST HAVE A 3" U-BAR. ATTACH WITH TWO 1/4"x3/4" SELF TAPPING SCREWS PER HINGE LOCATION. U-BARS ARE NOT REQUIRED ON DOORS CONSISTING OF ALL 21" SECTIONS.

14 GA. GALV. ROLLER HINGE. SEE VIEW "B".

ONE 4" T-STRUT PER SECTION. (SEE VIEW "D") EACH T-STRUT ATTACHED AT EACH HINGE LOCATION WITH (2) 1/4"x3/4" SELF TAPPING SCREWS.

12 GA. GALV. STEEL BOTTOM BRACKET (3-1/2" x 5-1/2") ATTACHED WITH (2) #14x5/8" SHEET METAL SCREWS.

ALUMINUM EXTRUSION & VINYL WEATHERSTRIP.

24 GA. DDS STEEL (MIN. 0.022" THICK AND MIN. YIELD 37.3 KSI .) EXTERIOR SKIN WITH G-40 GALVANIZING, BAKED-ON PRIMER AND A BAKED-ON POLYESTER PAINTED TOP COAT APPLIED TO BOTH SIDES OF STEEL SKIN.

**PRODUCT REVISED**  
as complying with the Florida Building Code  
NOA-No. 20-0922.34

Expiration Date 08/01/2023

By *[Signature]*  
Miami-Dade Product Control

DESIGN LOADS: +46.0 P.S.F. & -52.0 P.S.F.

Unless Stated Otherwise TOLERANCES are

.0	= ±.031
.00	= ±.015
.000	= ±.005
.0000	= ±.001
Degrees	= ±1/2°

Unless Stated Otherwise DIMENSIONS ARE IN INCHES.

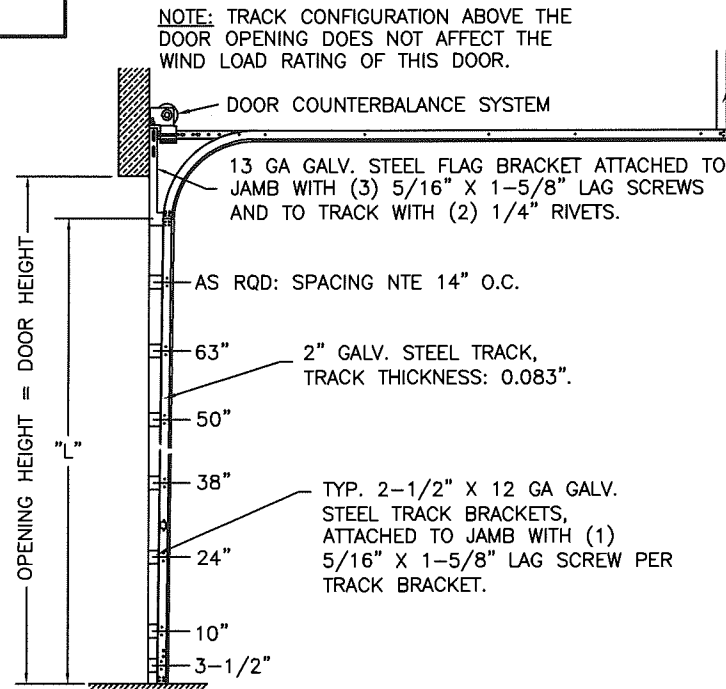
**Clopay CORPORATION**  
8585 Duke Boulevard  
Mason, OH 45040 USA  
Tel. No. 513-770-4800  
Fax No. 513-770-4853

MANUFACTURING PRODUCT CODE PAN-2F443			
PART NO.: N/A			
WINDLOAD RATING W8 DP46T			
DESCRIPTION: 2" GALLERY PAN DOORS 16'2"W (SEE TABLE)	DRAWN BY: SH	DATE: 5/1/13	SCALE: NTS
CHECKED BY: SH	DATE: 5/1/13	SHEET 2 OF 4	DWG. SIZE B
DWG. NO.: 104791	VER: M-D		

MODELS	SHORT
CLOPAY GALLERY	GD4S, GR4S
HOLMES ARTISTRY IDEAL EXPRESSIONS	AR4S
	ED4S

SEE SHEET 4 FOR "GRAND HARBOR" MODELS.

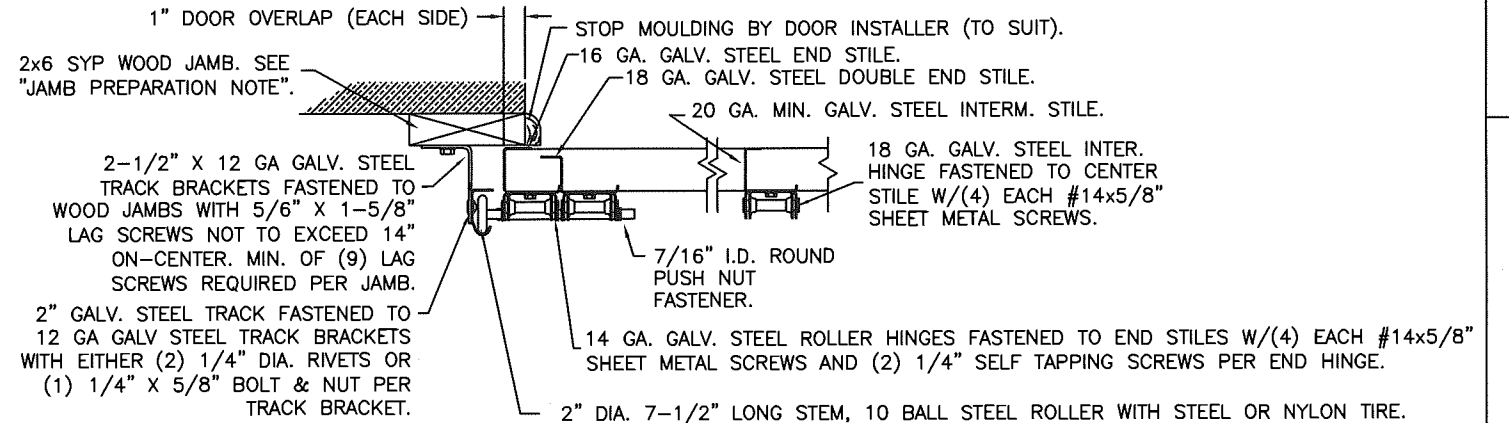
2" TRACK CONFIGURATION DOORS UP TO 800 LBS.



HORIZONTAL TRACK SUPPORT BY DOOR INSTALLER (TO SUIT).

DOOR HEIGHT	"L"
6'-6"	70"
7'-0"	76"
7'-6"	82"
8'-0"	88"
8'-6"	94"
9'-0"	100"
9'-6"	106"
10'-0"	112"
10'-6"	118"
11'-0"	124"
11'-6"	130"
12'-0"	136"
12'-6"	142"
13'-0"	148"
13'-6"	154"
14'-0"	160"
14'-6"	166"
15'-0"	172"
15'-6"	178"
16'-0"	184"

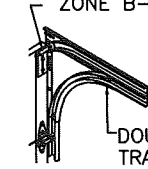
JAMB CONFIGURATION DOORS UP TO 800 LBS.



SECTION C-C

PREPARATION OF JAMBS BY OTHERS.

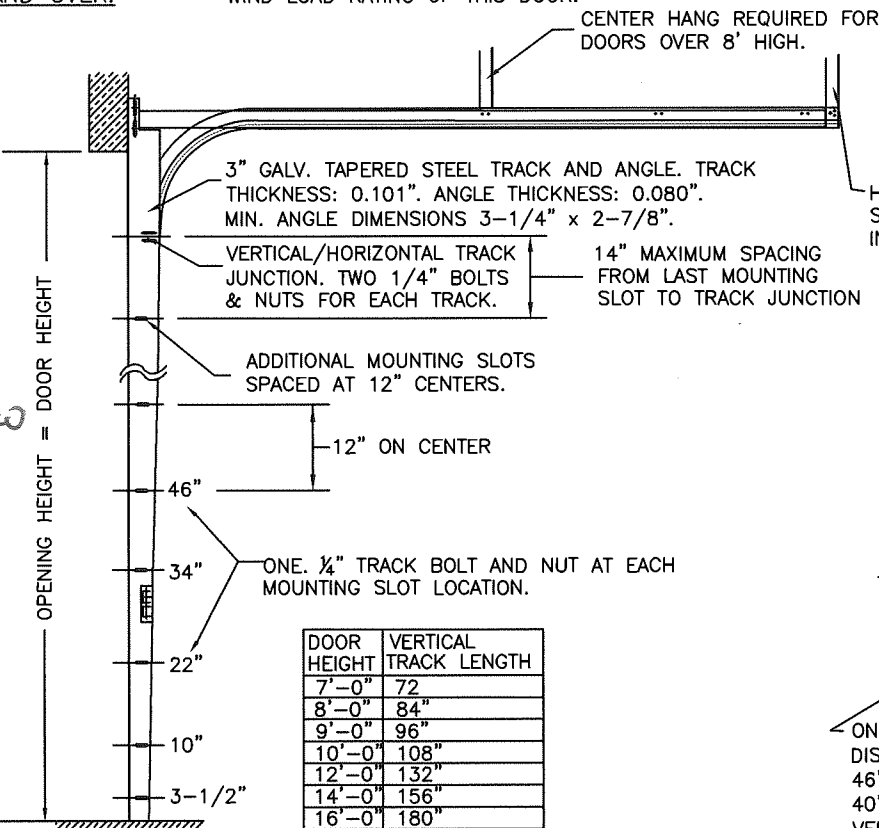
LHR BRACKET (2-1/2" x 5-3/4" x 12GA) ATTACHED WITH (2) 1/4" x 3/4" SELF TAPPING SCREWS. NOTE THAT LHR BRACKETS ARE ALSO USED WITH "DOUBLE END STILE" AS SHOWN IN ZONE B-3 SHEET 1.



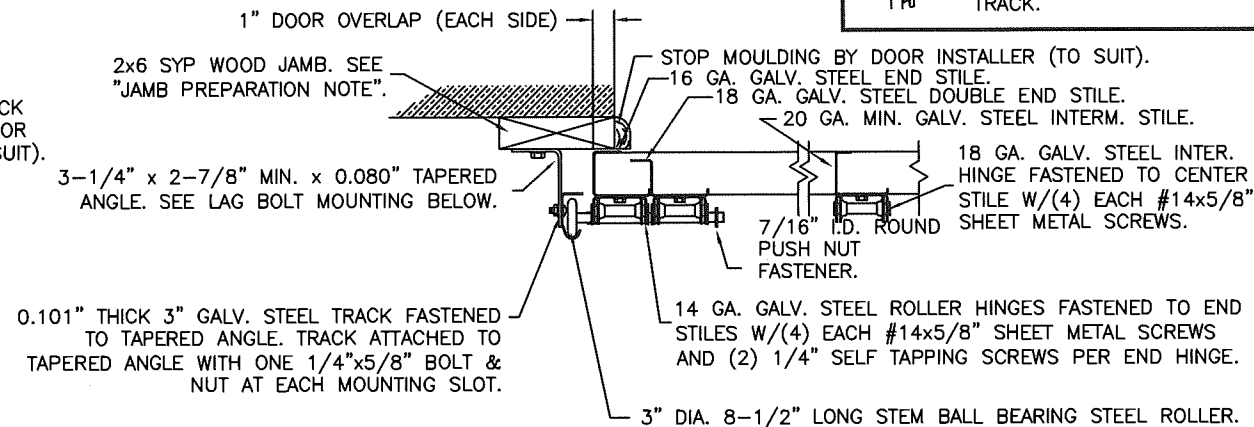
DOUBLE TRACK LOW HEADROOM OPTION (AVAIL. FOR BOTH 2" AND 3" TRACK)

3" TRACK CONFIGURATION DOORS 800 LBS AND OVER.

NOTE: TRACK CONFIGURATION ABOVE THE DOOR OPENING DOES NOT AFFECT THE WIND LOAD RATING OF THIS DOOR.



JAMB CONFIGURATION DOORS 800 LBS AND OVER.



SECTION C-C

PREPARATION OF JAMBS BY OTHERS.

DESIGN LOADS: +46.0 P.S.F. & -52.0 P.S.F.

PRODUCT REVISED as complying with the Florida Building Code NOA-No. 20-0922.34

Expiration Date 08/01/2023

By Miami-Dade Product Control

MANUFACTURING PRODUCT CODE

PAN-2F443

PART NO.: N/A

WINDLOAD RATING

W8 DP46T

**Clopay** CORPORATION

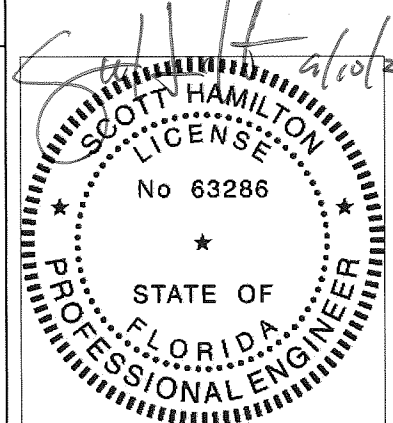
8585 Duke Boulevard  
Mason, OH 45040 USA  
Tel. No. 513-770-4800  
Fax No. 513-770-4853

DESCRIPTION: 2" GALLERY PAN DOORS 16'2"W (SEE TABLE)

DRAWN BY: SH DATE: 5/1/13 SCALE: NTS DWG. B

CHECKED BY: SH DATE: 5/1/13 SHEET 3 OF 4 SIZE B

DWG. NO.: 104791 VER: M-D



DESIGN ENGINEER:  
SCOTT HAMILTON, P.E.  
FLORIDA LICENSE No. 63286

Unless Stated Otherwise TOLERANCES are  
.0 = ±.031  
.00 = ±.015  
.000 = ±.005  
.0000 = ±.001  
Degrees = ±1/2°  
Unless Stated Otherwise DIMENSIONS ARE IN INCHES.

ONE 5/16" x 1-5/8" LAG SCREW SPACED AT THE SAME DISTANCES AS THE TRACK BOLTS (I.E. 3-1/2", 10", 22", 34", 46", ETC.). ADDITIONAL LAG SCREWS LOCATED AT 16", 28", & 40" FROM BOTTOM. TWO LAG SCREWS ALSO LOCATED ABOVE VERTICAL/HORIZONTAL TRACK JUNCTION.



CLOPAY 'GRAND HARBOR' SERIES: GHnn, GHRnn, GHRVnn

HOLMES 'EVANSTON' SERIES: SPnn, SPVnn

IDEAL 'STONE MANOR' SERIES: SMnn

NOTE: "nn" REPRESENTS THE ARRANGEMENT OF THE DECORATIVE OVERLAYS. THE FIRST DIGIT WILL HAVE A VALUE FROM 1 TO 2 AND THE SECOND DIGIT WILL HAVE A VALUE FROM 1 TO 3.

SHEET:  
4 OF 4

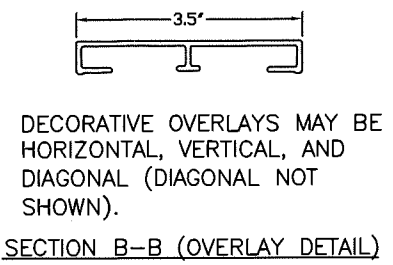
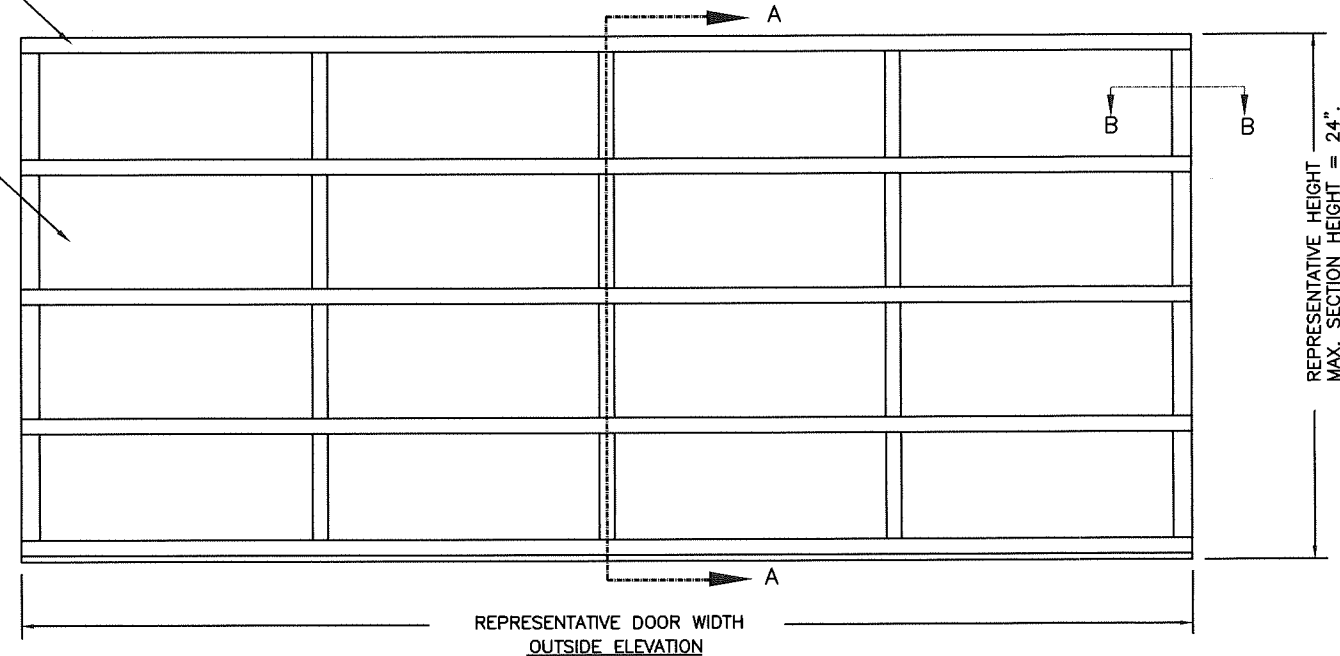
REVISIONS					
REV. NO.	ZONE:	DATE:	ECN NO.	APPVD:	DESCRIPTION
05	-	-	-	-	SEE REVISION HISTORY ON SHEET ONE.

D  
C  
B  
A

D  
C  
B  
A

DECORATIVE OVERLAYS OF PULTRUDED POLYESTER RESIN FIBERGLASS ADHERED TO OUTSIDE SKIN WITH PERMANENT ADHESIVE.

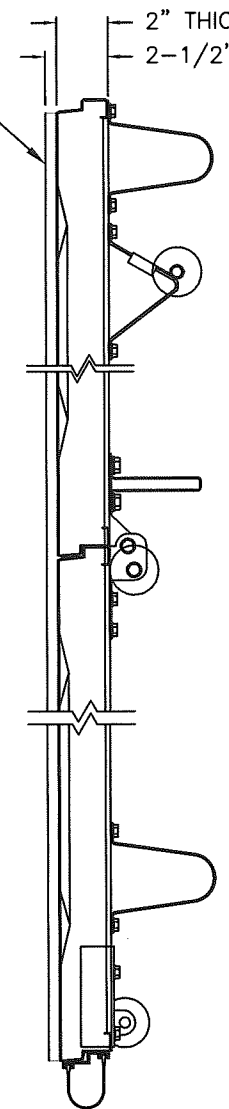
WOOD-GRAIN EMBOSSED STEEL PAN DOOR SKIN.



DECORATIVE OVERLAYS MAY BE HORIZONTAL, VERTICAL, AND DIAGONAL (DIAGONAL NOT SHOWN).

SECTION B-B (OVERLAY DETAIL)

2" THICK BASE SECTION.  
2-1/2" THICK WITH OVERLAYS.  
DECORATIVE OVERLAYS OF PULTRUDED POLYESTER RESIN FIBERGLASS ADHERED TO OUTSIDE SKIN WITH PERMANENT ADHESIVE.



SECTION A-A (SIDE VIEW)

"GRAND HARBOR" TYPE OVERLAY DOORS

- NOTES:
- "GRAND HARBOR" TYPE DOORS USE THE SAME REINFORCEMENTS AND BASE SECTION CONSTRUCTION AND TRACK CONFIGURATION DESCRIBED ON SHEETS 1-3 OF THIS DRAWING.
  - "GRAND HARBOR" TYPE DOORS ARE IMPACT RESISTANT AS SOLID DOORS ONLY.

**PRODUCT REVISED**  
as complying with the Florida Building Code  
NOA-No. 20-0922.34

Expiration Date 08/01/2023

By *[Signature]*  
Miami-Dade Product Control

MANUFACTURING PRODUCT CODE  
SP0-2F449

PART NO.: N/A

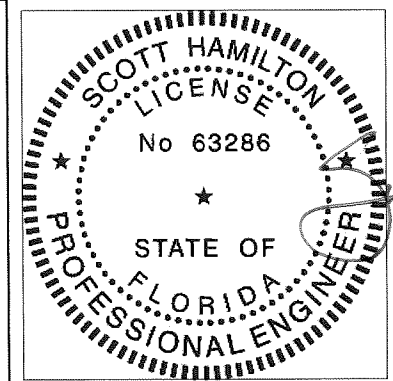
WINDLOAD RATING  
W8 DP46T

DESIGN LOADS: +46.0 P.S.F. & -52.0 P.S.F.

Unless Stated Otherwise TOLERANCES are  
.0 = ±.031  
.00 = ±.015  
.000 = ±.005  
.0000 = ±.001  
Degrees = ±1/2'  
Unless Stated Otherwise DIMENSIONS ARE IN INCHES.

**Clopay** CORPORATION  
8585 Duke Boulevard  
Mason, OH 45040 USA  
Tel. No. 513-770-4800  
Fax No. 513-770-4853

DESCRIPTION: 2" GALLERY PAN DOORS 16'2"W (SEE TABLE)			
DRAWN BY: SH	DATE: 5/1/13	SCALE: NTS	DWG. SIZE B
CHECKED BY: SH	DATE: 5/1/13	SHEET 4 OF 4	
DWG. NO.: 104791		VER: M-D	



DESIGN ENGINEER:  
SCOTT HAMILTON, P.E.  
FLORIDA LICENSE No. 63286

A

A

4

3

2

1