



**DEPARTMENT OF REGULATORY AND ECONOMIC RESOURCES
(RER)
BOARD AND CODE ADMINISTRATION DIVISION
NOTICE OF ACCEPTANCE (NOA)**

**MIAMI-DADE COUNTY
PRODUCT CONTROL SECTION**
11805 SW 26 Street, Room 208
Miami, Florida 33175-2474
T (786) 315-2590 F (786) 315-2599
www.miamidade.gov/economy

**Clopay Corporation
8585 Duke Boulevard
Mason, OH 45040**

SCOPE:

This NOA is being issued under the applicable rules and regulations governing the use of construction materials. The documentation submitted has been reviewed and accepted by Miami-Dade County RER-Product Control Section to be used in Miami-Dade County and other areas where allowed by the Authority Having Jurisdiction (AHJ).

This NOA shall not be valid after the expiration date stated below. The Miami-Dade County Product Control Section (In Miami-Dade County) and/ or the AHJ (in areas other than Miami-Dade County) reserve the right to have this product or material tested for quality assurance purposes. If this product or material fails to perform in the accepted manner, the manufacturer will incur the expense of such testing and the AHJ may immediately revoke, modify, or suspend the use of such product or material within their jurisdiction. RER reserves the right to revoke this acceptance if it is determined by Miami-Dade County Product Control Section that this product or material fails to meet the requirements of the applicable building code.

This product is approved as described herein and has been designed to comply with the Florida Building Code, including the High Velocity Hurricane Zone.

DESCRIPTION: Full Vision W8 DP52 Aluminum Sectional Garage Door up to 12'-2" Wide with Impact Resistant Lites

APPROVAL DOCUMENT: Drawing No. **105608**, titled "M/N 904 12' Wide +52/-58 psf", sheets 1 through 4 of 4, dated 09/22/2020, with revision **1** dated 09/2021, prepared by Clopay Corporation, signed and sealed by Mark Westerfield, P.E. on 11/23/2021, bearing the Miami-Dade County Product Control approval stamp with the Notice of Acceptance number and approval date by the Miami-Dade County Product Control Section.

MISSILE IMPACT RATING: Large and Small Missile Impact Resistant

LABELING: A permanent label with the manufacturer's name or logo, manufacturing address, model number, the positive and negative design pressure rating, indicate impact rated if applicable, installation instruction drawing reference number, approval number (NOA), the applicable test standards, and the statement reading 'Miami-Dade County Product Control Approved' is to be located on the door's sidetrack, bottom angle, or inner surface of a panel.

RENEWAL of this NOA shall be considered after a renewal application has been filed and there has been no change in the applicable building code negatively affecting the performance of this product.

TERMINATION of this NOA will occur after the expiration date or if there has been a revision or change in the materials, use, and/ or manufacture of the product or process. Misuse of this NOA as an endorsement of any product, for sales, advertising or any other purposes shall automatically terminate this NOA. Failure to comply with any section of this NOA shall be cause for termination and removal of NOA.

ADVERTISEMENT: The NOA number preceded by the words Miami-Dade County, Florida, and followed by the expiration date may be displayed in advertising literature. If any portion of the NOA is displayed, then it shall be done in its entirety.

INSPECTION: A copy of this entire NOA shall be provided to the user by the manufacturer or its distributors and shall be available for inspection at the job site at the request of the Building Official.

This NOA consists of this page 1 and evidence page E-1, as well as approval document mentioned above.

The submitted documentation was reviewed by **Carlos M. Utrera, P.E.**



NOA-No 20-1013.02
Expiration Date: January 13, 2027
Approval Date: January 13, 2022
Page 1

NOTICE OF ACCEPTANCE: EVIDENCE SUBMITTED

A. DRAWINGS

1. Drawing No. **105608**, titled "M/N 904 12' Wide +52/-58 psf", sheets 1 through 4 of 4, dated 09/22/2020, with revision **1** dated 09/2021, prepared by Clopay Corporation, signed and sealed by Mark Westerfield, P.E. on 11/23/2021.

B. TESTS

1. Addendum 2 prepared by American Test Lab, Inc. to Test Report No. **ATLNC 0512.01-20**, dated 07/15/2021, signed and sealed by David W. Johnson, P.E.
2. Addendum 3 prepared by American Test Lab, Inc. to Test Report No. **ATLNC 0512.01-20**, dated 08/09/2021, signed and sealed by David W. Johnson, P.E.
3. Addendum 4 prepared by American Test Lab, Inc. to Test Report No. **ATLNC 0512.01-20**, dated 09/07/2021, signed and sealed by David W. Johnson, P.E.
4. Test reports on
 - 1) Uniform Static Air Pressure Test, Loading per FBC TAS 202-94
 - 2) Large Missile Impact Test per FBC, TAS 201-94
 - 3) Cyclic Wind Pressure Loading per FBC, TAS 203-94
 - 4) Forced Entry Test, per FBC, TAS 202-94
 - 5) Tensile Test per ASTM E8

along with marked-up drawings and installation diagram of 12'2"x 8', aluminum garage doors Model 904W8 with windows, prepared by American Test Lab, Inc., Test Report No. **ATLNC 0512.01-20**, dated 07/29/2020, signed and sealed by David W. Johnson, P.E.

C. CALCULATIONS

1. Horizontal track calculations prepared by Clopay Building Products Company, dated 11/23/2021, signed and sealed by Mark Westerfield, P.E.
2. Jamb anchor calculations prepared by Clopay Building Products Company, dated 09/11/2020, signed and sealed by Mark Westerfield, P.E.

D. QUALITY ASSURANCE

1. Miami-Dade Department of Regulatory and Economic Resources (RER).

E. MATERIAL CERTIFICATIONS

1. Notice of Acceptance No. **20-0915.22** issued to Kuraray America, Inc. for their **Trosifol Ultraclear, Clear and Color PVB Glass Interlayers**, approved on 11/19/2020, expiring on 07/08/2024.

F. STATEMENTS

1. Statement letter of code conformance to the 6th edition (2017) and 7th edition (2020) of the FBC, issued by Clopay Corporation, dated 09/10/2020, signed and sealed by Mark Westerfield, P.E.
2. Statement letter of no financial interest issued by Clopay Corporation, dated 09/10/2020, signed and sealed by Mark Westerfield, P.E.

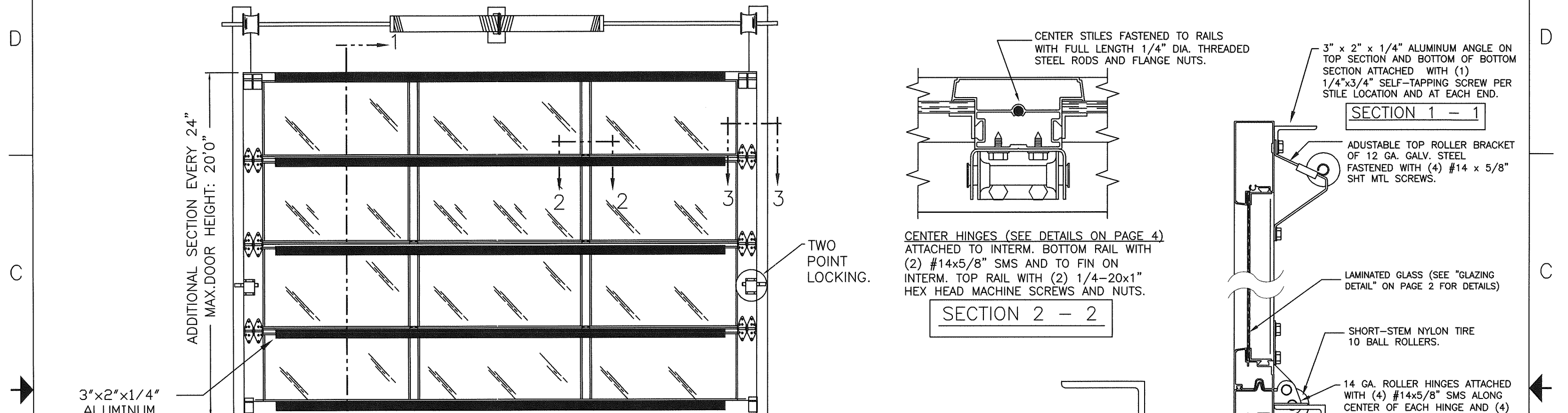


Carlos M. Utrera, P.E.
Product Control Examiner
NOA-No 20-1013.02
Expiration Date: January 13, 2027
Approval Date: January 13, 2022

BRAND	MODEL
CLOPAY	904, 904U, AX, AXU
IDEAL	C4AL, C4ALU

SHEET:
1 OF 4

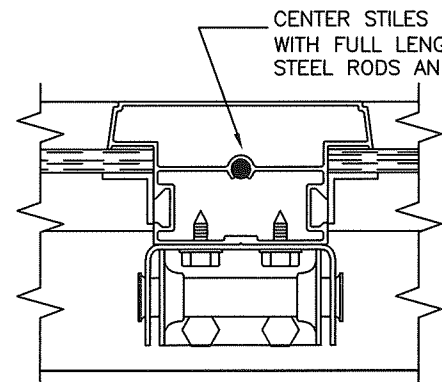
REVISIONS					
REV. NO.	ZONE:	DATE:	ECN NO.	APPVD:	DESCRIPTION
00	ALL	9/20		SH	INITIAL RELEASE
01	ALL	9/21		MWW	UPDATE PER M-D REQUEST; ADDED PAGE 4



ADDITIONAL SECTION EVERY 24"
MAX. DOOR HEIGHT: 20'0"

3"x2"x1/4"
ALUMINUM
L-ANGLE. TOP OF
EACH SECTION,
PLUS ONE EXTRA
AT BOTTOM OF
DOOR.

MAXIMUM WIDTH: 12'2"
MAXIMUM OPENING SIZE 12'0"
MAX. DLO: 41-1/4" X 18-1/4"



CENTER STILES FASTENED TO RAILS
WITH FULL LENGTH 1/4" DIA. THREADED
STEEL RODS AND FLANGE NUTS.

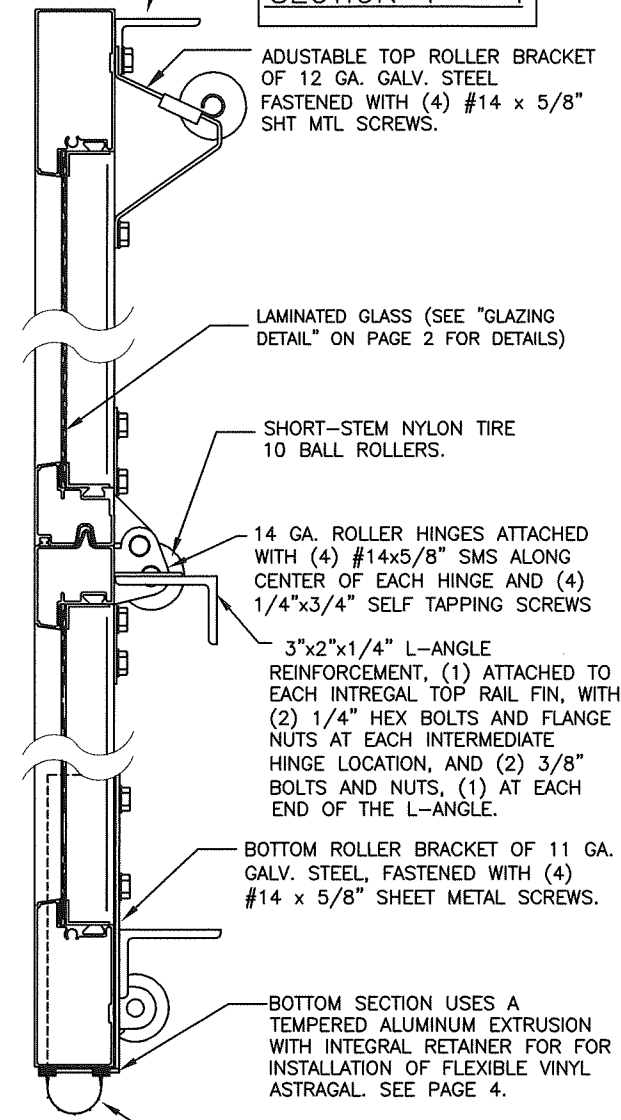
CENTER HINGES (SEE DETAILS ON PAGE 4)
ATTACHED TO INTERM. BOTTOM RAIL WITH
(2) #14x5/8" SMS AND TO FIN ON
INTERM. TOP RAIL WITH (2) 1/4"-20x1"
HEX HEAD MACHINE SCREWS AND NUTS.

SECTION 2 - 2

TWO
POINT
LOCKING.

3" x 2" x 1/4" ALUMINUM ANGLE ON
TOP SECTION AND BOTTOM OF BOTTOM
SECTION ATTACHED WITH (1)
1/4"x3/4" SELF-TAPPING SCREW PER
STILE LOCATION AND AT EACH END.

SECTION 1 - 1



ADJUSTABLE TOP ROLLER BRACKET
OF 12 GA. GALV. STEEL
FASTENED WITH (4) #14 x 5/8"
SHT MTL SCREWS.

LAMINATED GLASS (SEE "GLAZING
DETAIL" ON PAGE 2 FOR DETAILS)

SHORT-STEM NYLON TIRE
10 BALL ROLLERS.

14 GA. ROLLER HINGES ATTACHED
WITH (4) #14x5/8" SMS ALONG
CENTER OF EACH HINGE AND (4)
1/4"x3/4" SELF TAPPING SCREWS

3"x2"x1/4" L-ANGLE
REINFORCEMENT, (1) ATTACHED TO
EACH INTERGAL TOP RAIL FIN, WITH
(2) 1/4" HEX BOLTS AND FLANGE
NUTS AT EACH INTERMEDIATE
HINGE LOCATION, AND (2) 3/8"
BOLTS AND NUTS, (1) AT EACH
END OF THE L-ANGLE.

BOTTOM ROLLER BRACKET OF 11 GA.
GALV. STEEL, FASTENED WITH (4)
#14 x 5/8" SHEET METAL SCREWS.

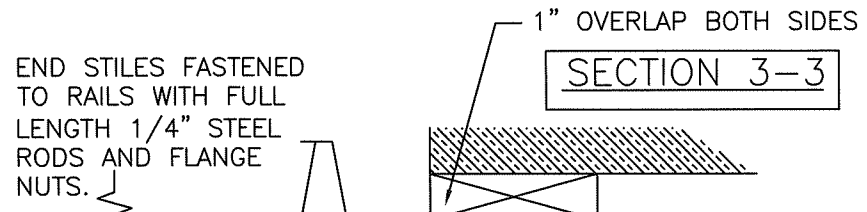
BOTTOM SECTION USES A
TEMPERED ALUMINUM EXTRUSION
WITH INTEGRAL RETAINER FOR FOR
INSTALLATION OF FLEXIBLE VINYL
ASTRAGAL. SEE PAGE 4.

FLEXIBLE VINYL ASTRAGAL.

SECTIONS PER DOOR HEIGHT	
UP TO 6'0"	3
FROM 6'1" TO 8'0"	4
FROM 8'1" TO 10'0"	5
FROM 10'1" TO 12'0"	6
FROM 12'1" TO 14'0"	7
FROM 14'1" TO 16'0"	8
FROM 16'1" TO 18'0"	9
FROM 18'1" TO 20'0"	10

REINFORCEMENT:
3"x2"x1/4" L-ANGLE
6061 ALUMINUM

PRODUCT APPROVED
as complying with the Florida
Building Code
NOA-No. 20-1013.02
Approval Date 01/13/2022
By *[Signature]*
Miami-Dade Product Control



SECTION 3-3

END STILES FASTENED
TO RAILS WITH FULL
LENGTH 1/4" STEEL
RODS AND FLANGE
NUTS.

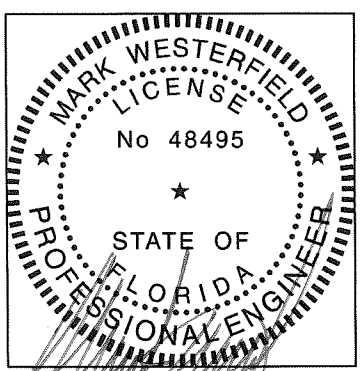
1" OVERLAP BOTH SIDES

INTERGAL FIN ON
INTER. TOP RAILS
NOTCH CUT AT
END STILES.

SEE PAGE 2 FOR DIFFERENT
JAMB CONFIGURATIONS.

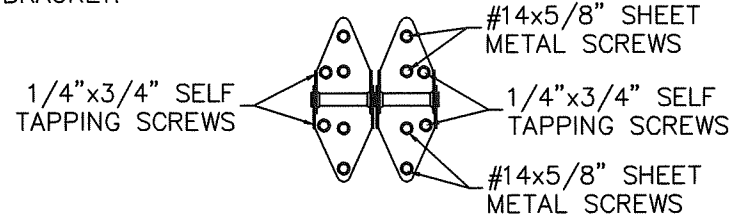
12 GA. GALV. STEEL TRACK
BRACKET FASTENED TO WOOD
JAMB WITH ONE 5/16"x1-5/8"
WOOD LAG SCREW PER BRACKET.

7/16" PUSH-NUT,
ONE PER ROLLER.



DESIGN ENGINEER:
MARK WESTERFIELD, P.E.
FLORIDA P.E. #48495, NC P.E. #23832, TEXAS P.E. #91513

14 GAUGE DOUBLE END
ROLLER HINGE FASTENERS



DESIGN LOADS: +52.0, -58.0 PSF

Clopay CORPORATION	8585 Duke Boulevard Mason, OH 45040 USA Tel. No. 513-770-4800 Fax No. 513-770-4853	CLOPAY WINDLOAD RATING W8
DESCRIPTION: M/N 904 12' WIDE +52/-58 PSF		
DRAWN BY: SH	DATE: 9/22/20	SCALE:
CHECKED BY: MWW	DATE: 9/9/21	SHEET 1 OF 4
DWG. NO.: 105608	VERSION: M-D	

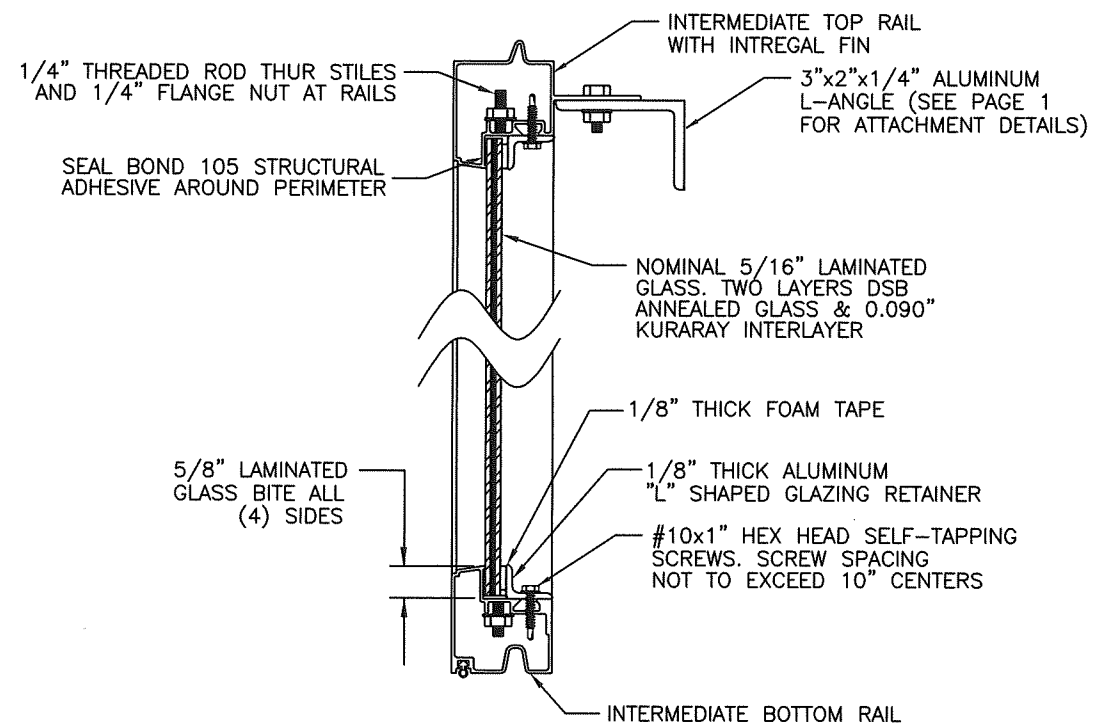
DWG. SIZE B

BRAND	MODEL
CLOPAY	904, 904U, AX, AXU
IDEAL	C4AL, C4ALU

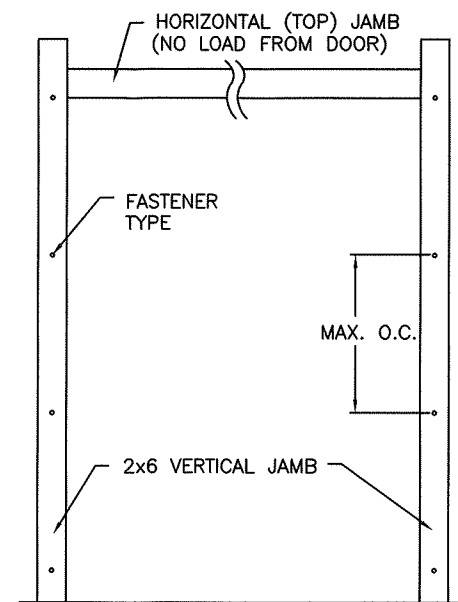
SHEET:	REVISIONS					
2 OF 4	REV. NO.	ZONE:	DATE:	ECN NO.	APPVD:	DESCRIPTION
	--	--	---	--	--	SEE PAGE 1 FOR REVISION DETAILS

D
C
B
A

D
C
B
A



GLAZING DETAIL
INTERMEDIATE SECTION SHOWN



2x6 JAMB TO SUPPORTING STRUCTURE ATTACHMENT
(NOT TO BE USED FOR ATTACHMENT OF TRACK ANGLE TO 2x6 VERTICAL JAMBS OR SUPPORTING STRUCTURE)

BUILDING TYPE	FASTENER TYPE	MAXIMUM ON-CENTER DISTANCE BETWEEN FASTENERS*	STEEL WASHERS REQUIRED?
BLOCK WALL	1/4" x 1-1/4" EMBED ULTRACON CONCRETE ANCHOR	5-1/4"	NO
GROUT-FILLED BLOCK WALL	1/4" x 1-3/4" EMBED ULTRACON CONCRETE ANCHOR	8-3/4"	NO
2,846 PSI MIN. CONCRETE	1/4" x 1-3/4" EMBED ULTRACON CONCRETE ANCHOR	18=1/4"	NO
2,000 PSI MIN. CONCRETE	1/4" x 1-3/4" EMBED ULTRACON CONCRETE ANCHOR	17"	NO
2,500 PSI MIN. CONCRETE	3/8" x 1-3/4" EMBED ITW TRUBOLT WEDGE CONCRETE ANCHOR WITH SYP 0.55 SG	16=1/2'	1" O.D.
WOOD FRAME (SYP 0.55 SG)	1/2" x 1-1/2" EMBED LAG SCREW WITH 1-3/8" O.D. WASHER	20"	YES
14 GA MIN. STEEL JAMB	1/4" -14 ITW BUILDEX TEKS SELF-DRILLING FASTENER	9"	NO
12 GA MIN. STEEL JAMB	1/4" -14 ITW BUILDEX TEKS SELF-DRILLING FASTENER	12-3/4"	NO
1/8" MIN. STEEL JAMB	1/4" -14 ITW BUILDEX TEKS SELF-DRILLING FASTENER	15-1/4"	NO

NOTE: FOR DOORS WITH CONTINUOUS OR REVERSE ANGLE TRACK, THESE VALUES CAN BE USED TO DIRECTLY ATTACH THE TRACK TO THE WALL.

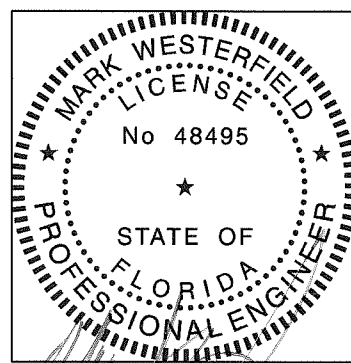
* FIRST (BOTTOM) ANCHOR STARTING AT NO MORE THAN HALF OF THE MAXIMUM ON-CENTER DISTANCE. HIGHEST ANCHOR INSTALLED AT LEAST AS HIGH AS THE DOOR OPENING.
CLOPAY DOES NOT SUPPLY JAMB ATTACHMENT FASTENERS.
MINIMUM DISTANCE BETWEEN CENTER OF ANCHOR AND EDGE OF CONCRETE BLOCK: 2-1/2", EXCLUDING STUCCO THICKNESS.

JAMB TO SUPPORTING STRUCTURE ATTACHMENT

- NOTES:
1. ALL THE LOAD FROM THE DOOR IS TRANSFERRED TO THE TRACK AND THEN FROM THE TRACK TO THE 2x6 VERTICAL SYP (GRADE #2 OR BETTER) JAMBS. NO LOAD FROM THE DOOR IS TRANSFERRED TO THE HORIZONTAL (TOP) JAMB.
 2. EACH VERTICAL JAMB SEES A MAXIMUM DESIGN LOAD OF +312 LB. PER LINEAR FOOT OF JAMB.
 3. ALL JAMB FASTENERS MAY BE (BUT ARE NOT REQUIRED TO BE) COUNTERSUNK TO PROVIDE A FLUSH MOUNTING SURFACE.
 4. A 1/3 STRESS INCREASE FOR WIND LOAD WAS NOT USED IN THE CALCULATION OF ALLOWABLE LOADS FOR ANCHORS AND FASTENERS FOR STEEL, CONCRETE AND MASONRY.

PREPARATION OF JAMBS BY OTHERS

NOTE: THE DESIGN OF THE SUPPORTING STRUCTURAL ELEMENTS SHALL BE THE RESPONSIBILITY OF THE PROFESSIONAL OF RECORD FOR THE BUILDING OR STRUCTURE AND IN ACCORDANCE WITH CURRENT BUILDING CODES FOR THE LOADS LISTED ON THIS DRAWING.



DESIGN ENGINEER:
MARK WESTERFIELD, P.E.
FLORIDA P.E. #48495, NC P.E. #23832, TEXAS P.E. #91513

PRODUCT APPROVED
as complying with the Florida Building Code
NOA-No. 20-1013.02
Approval Date 01/13/2022
By *[Signature]*
Miami-Dade Product Control

Clopay CORPORATION	8585 Duke Boulevard Mason, OH 45040 USA Tel. No. 513-770-4800 Fax No. 513-770-4853	CLOPAY WINDLOAD RATING W8
DESCRIPTION: M/N 904 12' WIDE +52/-58 PSF		
DRAWN BY: SH	DATE: 9/22/20	SCALE:
CHECKED BY: MWW	DATE: 9/9/21	SHEET 2 OF 4
DWG. NO.: 105608	VERSION: M-D	

DWG. SIZE **B**

4

3

2

1

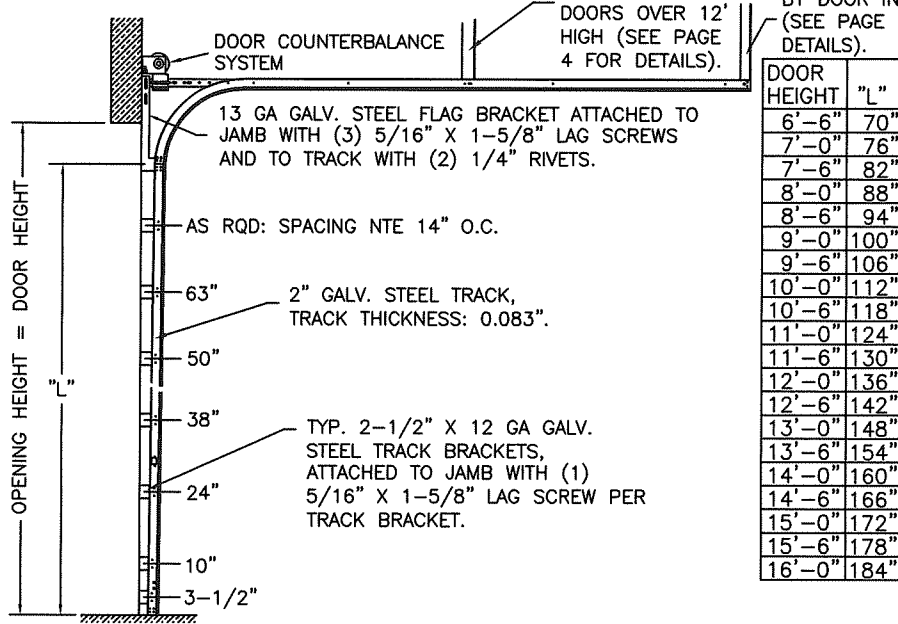
BRAND	MODEL
CLOPAY	904, 904U, AX, AXU
IDEAL	C4AL, C4ALU

SHEET:
3 OF 4

REVISIONS					
REV. NO.	ZONE	DATE	ECN NO.	APPVD:	DESCRIPTION
--	--	--	--	--	SEE PAGE 1 FOR REVISION DETAILS

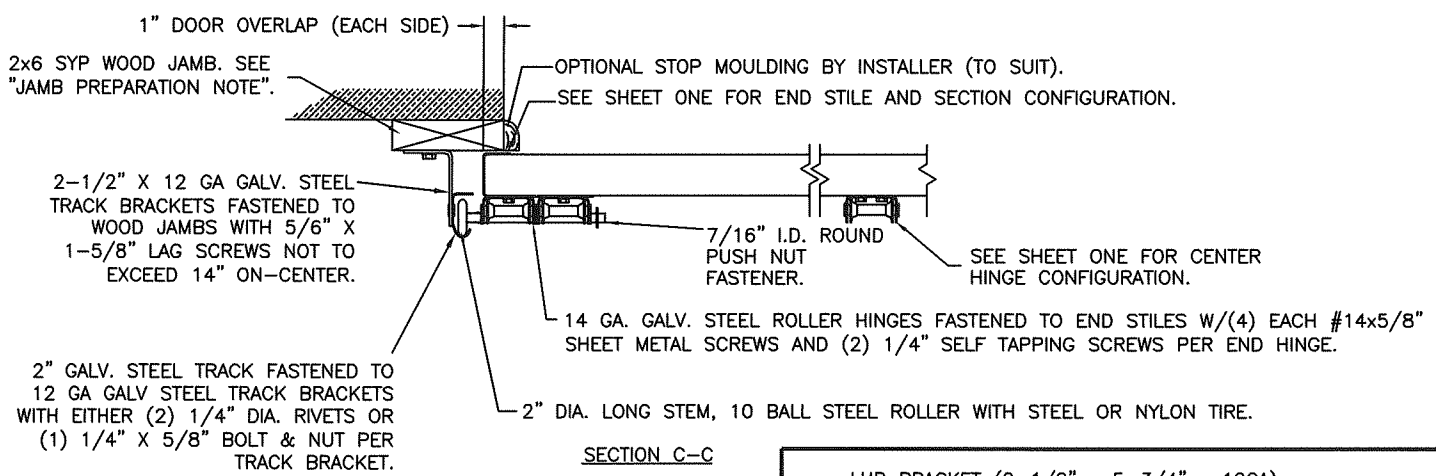
NOTE: HORIZONTAL TRACK CONFIGURATION ABOVE THE DOOR OPENING DOES NOT AFFECT THE WIND LOAD RATING OF THIS DOOR.

2" TRACK CONFIGURATION



DOOR HEIGHT "L"	"L"
6'-6"	70"
7'-0"	76"
7'-6"	82"
8'-0"	88"
8'-6"	94"
9'-0"	100"
9'-6"	106"
10'-0"	112"
10'-6"	118"
11'-0"	124"
11'-6"	130"
12'-0"	136"
12'-6"	142"
13'-0"	148"
13'-6"	154"
14'-0"	160"
14'-6"	166"
15'-0"	172"
15'-6"	178"
16'-0"	184"

JAMB CONFIGURATION DOORS WITH 2" TRACK.



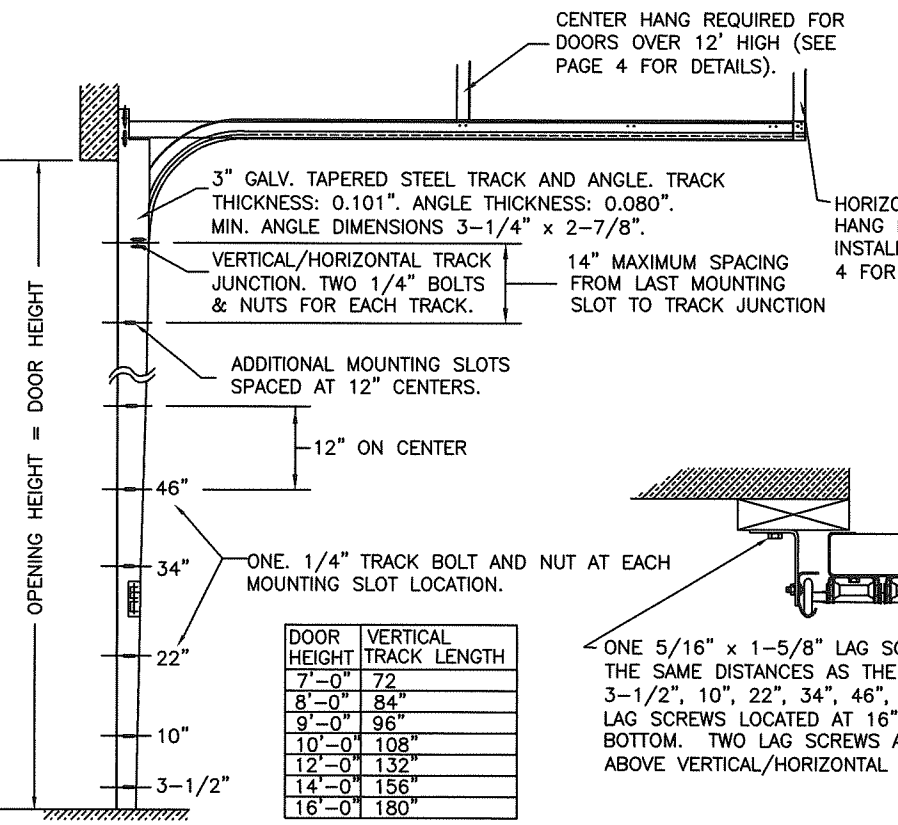
SECTION C-C
PREPARATION OF JAMBS BY OTHERS.

LHR BRACKET (2-1/2" x 5-3/4" x 12GA) ATTACHED WITH (2) 1/4" x 3/4" SELF TAPPING SCREWS. NOTE THAT LHR BRACKETS ARE ALSO USED WITH "DOUBLE END STILE" AS SHOWN IN ZONE B-3 SHEET 1.

DOUBLE TRACK LOW HEADROOM OPTION (AVAIL. FOR BOTH 2" AND 3" TRACK)

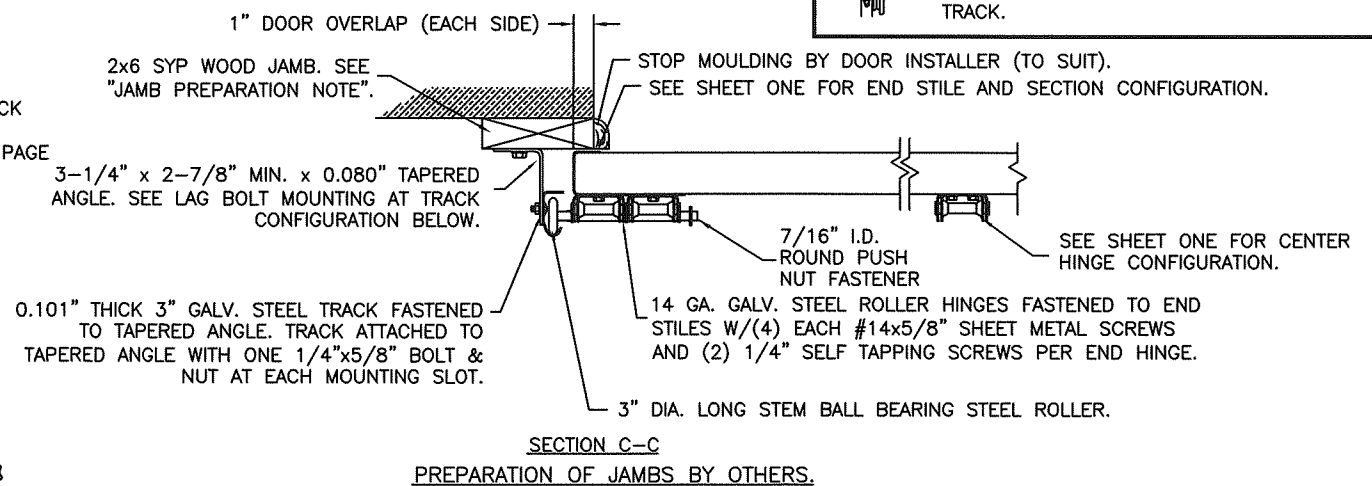
3" TRACK CONFIGURATION

NOTE: HORIZONTAL TRACK CONFIGURATION ABOVE THE DOOR OPENING DOES NOT AFFECT THE WIND LOAD RATING OF THIS DOOR.



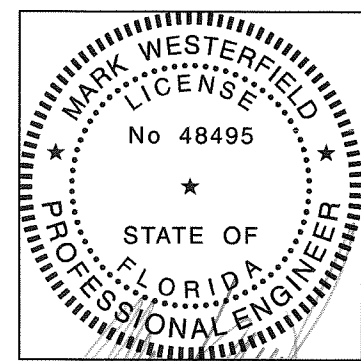
DOOR HEIGHT	VERTICAL TRACK LENGTH
7'-0"	72"
8'-0"	84"
9'-0"	96"
10'-0"	108"
12'-0"	132"
14'-0"	156"
16'-0"	180"

JAMB CONFIGURATION DOORS WITH 3" TRACK.



PRODUCT APPROVED
as complying with the Florida Building Code
NOA-No. 20-1013.02
Approval Date 01/13/2022
By *[Signature]*
Miami-Dade Product Control

	8585 Duke Boulevard Mason, OH 45040 USA Tel. No. 513-770-4800 Fax No. 513-770-4853	CLOPAY WINDLOAD RATING W8
	DESCRIPTION: M/N 904 12' WIDE +52/-58 PSF	
DRAWN BY: SH	DATE: 9/22/20	SCALE:
CHECKED BY: MWW	DATE: 9/9/21	SHEET 3 OF 4
DWG. NO.: 105608	VERSION: M-D	



DESIGN ENGINEER:
MARK WESTERFIELD, P.E.
FLORIDA P.E. #48495, NC P.E. #23832, TEXAS P.E. #91513

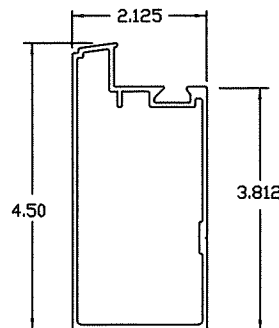
BRAND	MODEL
CLOPAY	904, 904U, AX, AXU
IDEAL	C4AL, C4ALU

ALUMINUM PROFILES, HARDWARE & TRACK PARTS

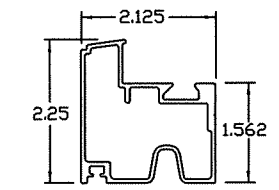
SHEET:
4 OF 4

REVISIONS					DESCRIPTION
REV. NO.	ZONE:	DATE:	ECN NO.	APPVD:	
---	---	---	---	---	SEE PAGE 1 FOR REVISION DETAILS

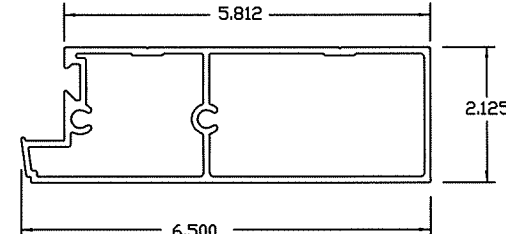
D
C
B
A



BOTTOM & TOP RAIL
105008 - .075" WALL

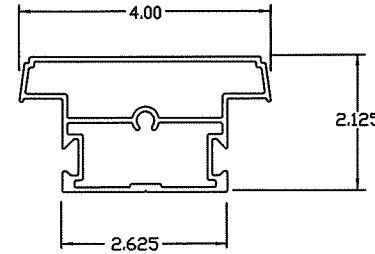


INTER. BOTTOM RAIL
105014 - .062" WALL

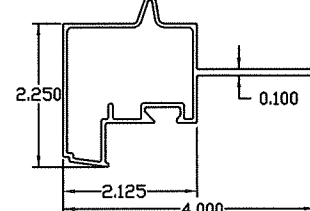


DOUBLE END STILE
105010 - .095" WALL

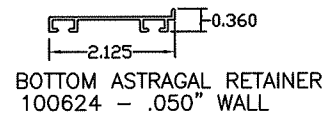
ALUMINUM PROFILES (6063-T5)



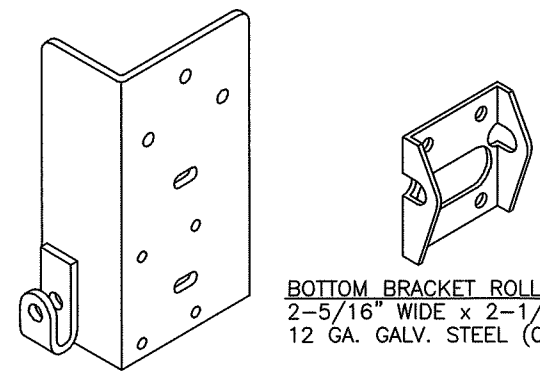
CENTER STILE
105011 - .075" WALL



INTER. TOP RAIL W/FIN
105012 - .062" WALL

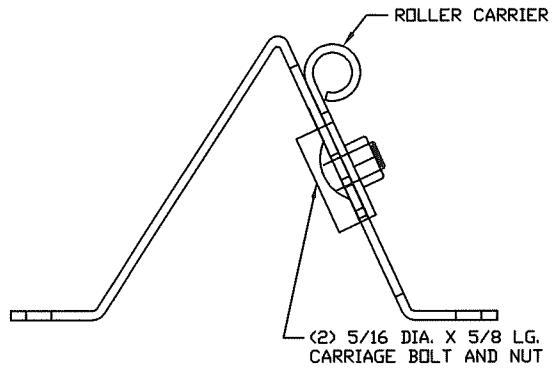


BOTTOM ASTRAGAL RETAINER
100624 - .050" WALL

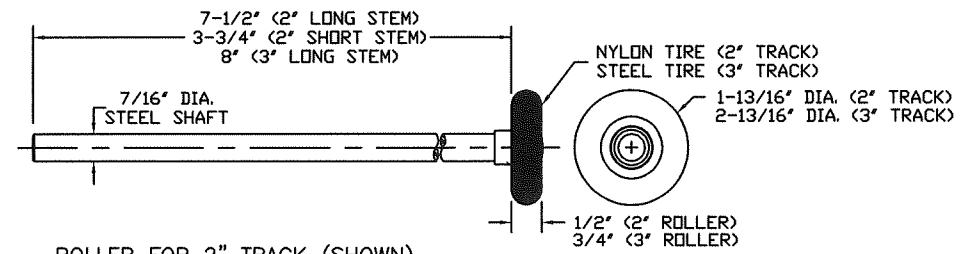


BOTTOM BRACKET ROLLER CARRIER
2-5/16" WIDE x 2-1/2" TALL
12 GA. GALV. STEEL (0.097" THICK)

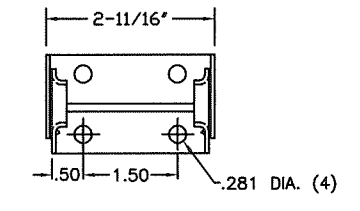
BOTTOM BRACKET
3-1/8" WIDE x 6" TALL x 1-7/8" DEEP
11 GA. GALV. STEEL (0.114" THICK)



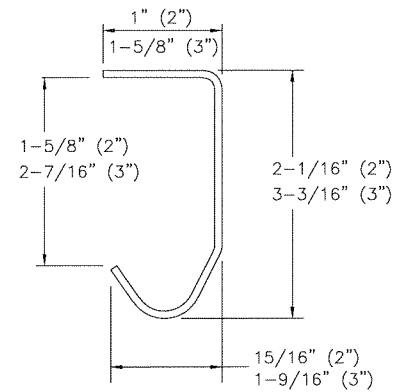
TOP ROLLER BRACKET
5-3/8" LONG x 3-1/8" TALL x 2-3/4" WIDE
MAIN PART: 12 GA. GALV STEEL (0.099")
ROLLER CARRIER: 13 GA. GALV STEEL (0.085")



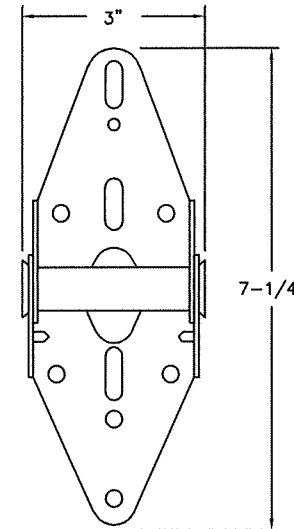
ROLLER FOR 2" TRACK (SHOWN)
ROLLER FOR 3" TRACK FOR DOORS OVER 800 LB.
OR OPTIONAL FOR DOORS LESS THAN 800 LB.



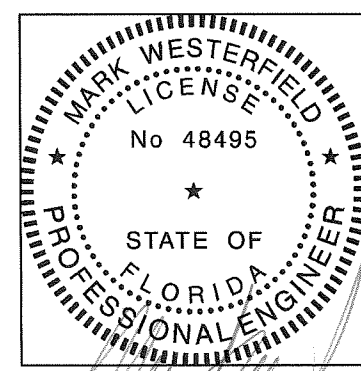
2-LEAF CENTER HINGE
14 GA. GALV. STEEL



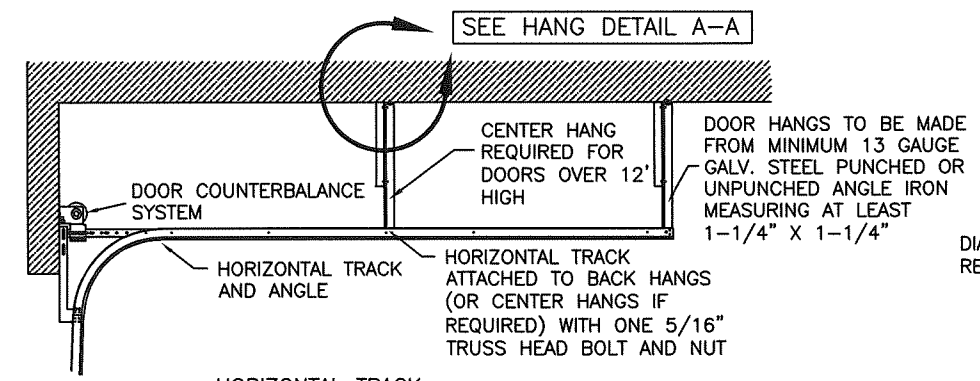
TRACK (2" AND 3")
0.075" OR 0.083" GALV. STEEL (2")
0.101" GALV. STEEL (3")



END ROLLER HINGE
14 GA. (0.071" MIN) GALV. STEEL
(8) 1/4" x 3/4" SELF-TAPPING SCREWS PER HINGE

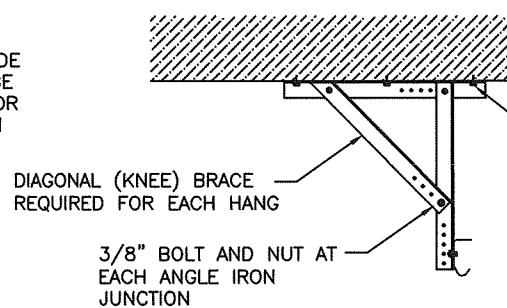


DESIGN ENGINEER:
MARK WESTERFIELD, P.E.
FLORIDA P.E. #48495, NC P.E. #23832, TEXAS P.E. #91513



HORIZONTAL TRACK
STANDARD LIFT TRACK SHOWN.
LOW HEADROOM, HIGH LIFT AND VERTICAL LIFT TRACK ALSO AVAILABLE.

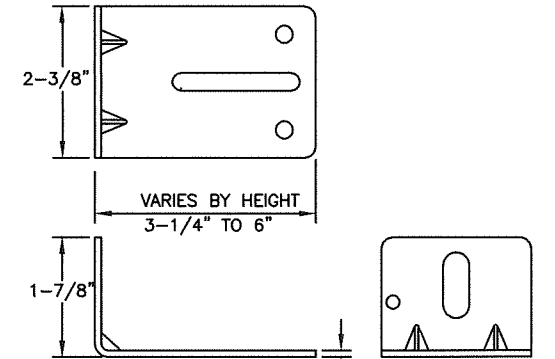
DOOR HANGS TO BE MADE FROM MINIMUM 13 GAUGE GALV. STEEL PUNCHED OR UNPUNCHED ANGLE IRON MEASURING AT LEAST 1-1/4" X 1-1/4"



HANG DETAIL A-A
HANGS CAN BE MOVED TO MATCH CEILING STRUCTURE

ANGLE IRON ATTACHMENT WOOD (MIN 0.5 S.G.):
(3) MIN. 5/16" X 1-1/2" EMBED LAG SCREWS WITH WASHER
2,000 MIN. PSI CONCRETE
(3) MIN. 1/4" x 1-3/4" EMBED CONCRETE ANCHOR WITH WASHER

NOTE: SCREW EMBEDMENT TO EXCLUDE STUCCO OR FALSE CEILINGS.



TRACK BRACKETS
ATTACHED TO VERTICAL TRACKS

PRODUCT APPROVED
as complying with the Florida Building Code
NOA-No. 20-1013.02
Approval Date 01/13/2022
By [Signature]
Miami-Dade Product Control

Clopay CORPORATION	8585 Duke Boulevard Mason, OH 45040 USA Tel. No. 513-770-4800 Fax No. 513-770-4853	CLOPAY WINDLOAD RATING W8
DESCRIPTION: M/N 904 12' WIDE +52/-58 PSF		
DRAWN BY: SH	DATE: 9/22/20	SCALE:
CHECKED BY: MWW	DATE: 9/9/21	SHEET 4 OF 4
DWG. NO.: 105608	VERSION: M-D	

4

3

2

1

D
C
B
A