



MIAMI-DADE COUNTY
PRODUCT CONTROL SECTION
 11805 SW 26 Street, Room 208
 Miami, FL 33175
 T (786) 315-2590 F (786) 315-2599
www.miamidade.gov/economy

DEPARTMENT OF REGULATORY AND ECONOMIC RESOURCES (RER)
 BOARD AND CODE ADMINISTRATION DIVISION
NOTICE OF ACCEPTANCE (NOA)

Eco Window Systems, LLC
9114 NW 106 Street
Medley, FL 33178

SCOPE:

This NOA is being issued under the applicable rules and regulations governing the use of construction materials. The documentation submitted has been reviewed and accepted by Miami-Dade County RER - Product Control Section to be used in Miami Dade County and other areas where allowed by the Authority Having Jurisdiction (AHJ).

This NOA shall not be valid after the expiration date stated below. The Miami-Dade County Product Control Section (In Miami-Dade County) and/or the AHJ (in areas other than Miami-Dade County) reserve the right to have this product or material tested for quality assurance purposes. If this product or material fails to perform in the accepted manner, the manufacturer will incur the expense of such testing and the AHJ may immediately revoke, modify, or suspend the use of such product or material within their jurisdiction. RER reserves the right to revoke this acceptance, if it is determined by Miami-Dade County Product Control Section that this product or material fails to meet the requirements of the applicable building code.

This product is approved as described herein, and has been designed to comply with the Florida Building Code, including the High Velocity Hurricane Zone.

DESCRIPTION: Series "S-500" Aluminum Outswing Casement Window – S.M.I.

APPROVAL DOCUMENT: Drawing No. **W15-13**, titled “S-500 Alum. Outswing Casement Wdw. (S.M.I.)”, sheets 1 through 6 of 6, dated 03/27/15 with Revision “C” dated 11/05/20, prepared by Al-Farooq Corporation, signed and sealed by Jalal Farooq, P.E., bearing the Miami-Dade County Product Control Revision stamp with the Notice of Acceptance number and expiration date by the Miami-Dade County Product Control Section.

MISSILE IMPACT RATING: Small Missile Impact Resistant

LABELING: Each unit shall bear a permanent label with the manufacturer's name or logo, city, state, model/series, and following statement: "Miami-Dade County Product Control Approved", unless otherwise noted herein.

RENEWAL of this NOA shall be considered after a renewal application has been filed and there has been no change in the applicable building code negatively affecting the performance of this product.

TERMINATION of this NOA will occur after the expiration date or if there has been a revision or change in the materials, use, and/or manufacture of the product or process. Misuse of this NOA as an endorsement of any product, for sales, advertising or any other purposes shall automatically terminate this NOA. Failure to comply with any section of this NOA shall be cause for termination and removal of NOA.

ADVERTISEMENT: The NOA number preceded by the words Miami-Dade County, Florida, and followed by the expiration date may be displayed in advertising literature. If any portion of the NOA is displayed, then it shall be done in its entirety.

INSPECTION: A copy of this entire NOA shall be provided to the user by the manufacturer or its distributors and shall be available for inspection at the job site at the request of the Building Official.

This NOA **revises and renews NOA No. 17-1011.21** and consists of this page 1 and evidence page E-1 and E-2, as well as approval document mentioned above.

The submitted documentation was reviewed by **Sifang Zhao, P.E.**



S.Z.

02/05/2021

NOA No. 20-1110.01
Expiration Date: June 23, 2026
Approval Date: February 05, 2021
 Page 1

NOTICE OF ACCEPTANCE: EVIDENCE SUBMITTED

1. EVIDENCE SUBMITTED UNDER PREVIOUS NOAs

A. DRAWINGS

1. Manufacturer's die drawings and sections.
(Submitted under NOA No. 15-0914.09)
2. Drawing No. **W15-13**, titled "S-500 Alum. Outswing Casement Wdw. (S.M.I.)", sheets 1 through 6 of 6, dated 03/27/15 with Revision "B" dated 09/27/17, prepared by Al-Farooq Corporation, signed and sealed by Javad Ahmad, P.E.

B. TESTS

1. Test reports on: 1) Air Infiltration Test, per FBC, TAS 202-94
2) Uniform Static Air Pressure Test, Loading per FBC TAS 202-94
3) Water Resistance Test, per FBC, TAS 202-94
4) Small Missile Impact Test per FBC, TAS 201-94
5) Cyclic Wind Pressure Loading per FBC, TAS 203-94
6) Forced Entry Test, per FBC 2411 3.2.1, TAS 202-94
along with marked-up drawings and installation diagram of a casement window, prepared by Fenestration Testing Laboratory Inc., Test Report No. **8175**, dated 03/16/15 signed and sealed by Idalmis Ortega, P.E.
(Submitted under NOA No. 15-0914.09)
2. Test reports on: 1) Air Infiltration Test, per FBC, TAS 202-94
2) Uniform Static Air Pressure Test, Loading per FBC TAS 202-94
3) Water Resistance Test, per FBC, TAS 202-94
4) Small Missile Impact Test per FBC, TAS 201-94
5) Cyclic Wind Pressure Loading per FBC, TAS 203-94
6) Forced Entry Test, per FBC 2411 3.2.1, TAS 202-94
along with marked-up drawings and installation diagram of a fixed window, prepared by Fenestration Testing Laboratory Inc., Test Report No. **8191**, dated 03/27/15 signed and sealed by Idalmis Ortega, P.E.
(Submitted under NOA#15-0914.10)

C. CALCULATIONS

1. Anchor verification calculations and structural analysis, complying with FBC-2014, 5th edition, prepared by Al-Farooq Corporation, dated 08/06/15 and 06/10/16, signed and sealed by Javad Ahmad, P. E. *(Submitted under NOA No. 15-0914.09)*
2. Glazing complies with ASTM E1300-09

D. QUALITY ASSURANCE

1. Miami-Dade Department of Regulatory and Economic Resources (RER)



Sifang Zhao, P.E.
Product Control Examiner
NOA No. 20-1110.01
Expiration Date: June 23, 2026
Approval Date: February 05, 2021

NOTICE OF ACCEPTANCE: EVIDENCE SUBMITTED

E. MATERIAL CERTIFICATIONS

1. Notice of Acceptance No. **16-1117.01** issued to **Kuraray America, Inc.** for their “**Trosifol® Ultraclear, Clear and Color PVB Interlayers**” dated 01/19/17, expiring on 07/08/19.

F. STATEMENTS

1. Statement letter of conformance, complying with **FBC 5th Edition (2014)**, with **FBC 6th Edition (2017)**, and of no financial interest, dated September 26, 2017, prepared by Al-Farooq Corporation, signed and sealed by Javad Ahmad, P.E.

G. OTHER

1. Notice of Acceptance No. **15-0914.09**, issued to Eco Window Systems, LLC for their Series “**S-500**” Aluminum Outswing Casement Window – S.M.I., approved on 06/23/2016 and expiring on 06/05/2021.

2. NEW EVIDENCE SUBMITTED

A. DRAWINGS

1. Drawing No. **W15-13**, titled “**S-500 Alum. Outswing Casement Wdw. (S.M.I.)**”, sheets 1 through 6 of 6, dated 03/27/15 with Revision “**C**” dated 11/05/20, prepared by Al-Farooq Corporation, signed and sealed by Jalal Farooq, P.E.

B. TESTS

1. None.

C. CALCULATIONS

1. None

D. QUALITY ASSURANCE

1. Miami-Dade Department of Regulatory and Economic Resources (RER).

E. MATERIAL CERTIFICATIONS

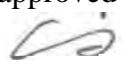
1. Notice of Acceptance No. **20-0915.22** issued to **Kuraray America, Inc.** for their “**Trosifol® Ultraclear, Clear and Color PVB Glass Interlayers**”, expiring on 07/08/24.

F. STATEMENTS

1. Statement letter of conformance, complying with **FBC 6th Edition (2017)**, with **FBC 7th Edition (2020)**, and of no financial interest, dated 11/05/2020, prepared by Al-Farooq Corporation, signed and sealed by Jalal Farooq, P.E.

G. OTHERS

1. Notice of Acceptance No. **17-1011.21**, issued to Eco Window Systems, LLC for their Series “**S-500**” Aluminum Outswing Casement Window – S.M.I., approved on 12/21/2017 and expiring on 06/05/2021.

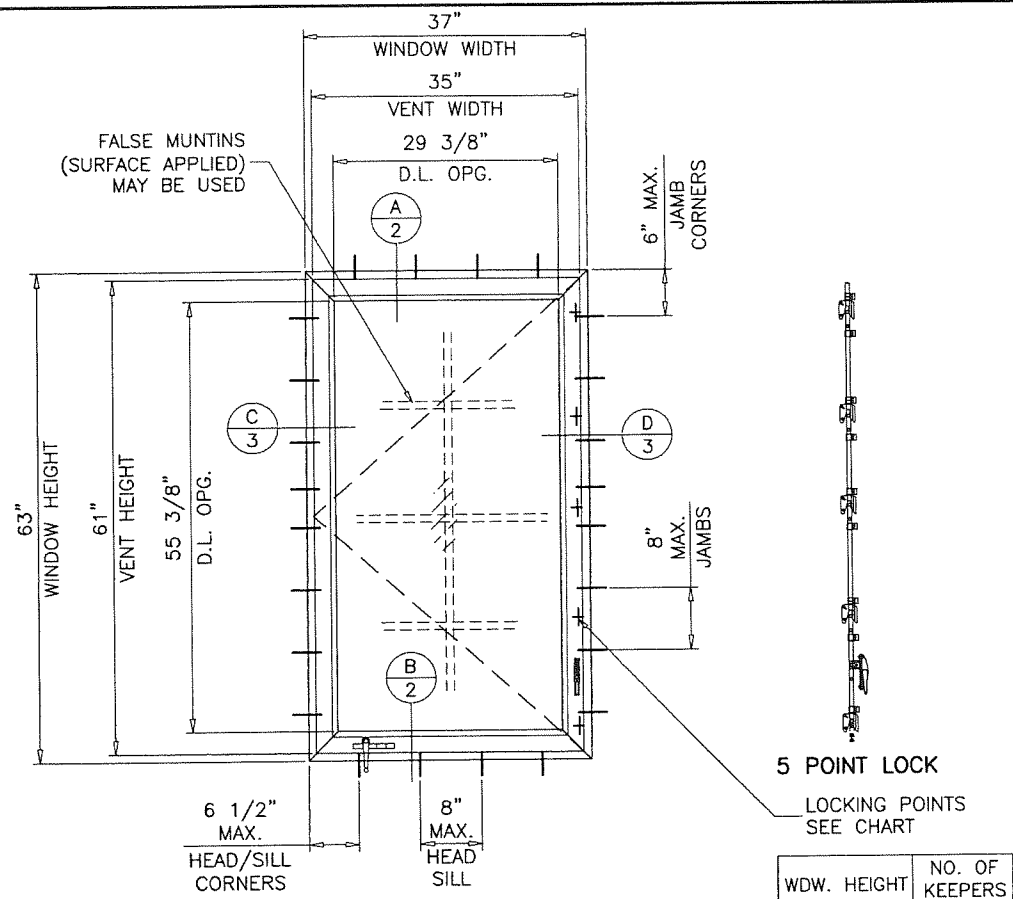


Sifang Zhao, P.E.
Product Control Examiner
NOA No. 20-1110.01
Expiration Date: June 23, 2026
Approval Date: February 05, 2021

DESIGN LOAD CAPACITY - PSF FOR (X) SIZES					
WINDOW DIMS.		GLASS TYPE 'AA'		GLASS TYPE 'B'	
WIDTH	HEIGHT	EXT.(+)	INT.(-)	EXT.(+)	INT.(-)
19-1/8"	50-5/8"	90.0	130.0	90.0	120.0
26-1/2"		90.0	130.0	90.0	120.0
32"		90.0	130.0	90.0	120.0
37"		90.0	130.0	90.0	120.0
19-1/8"	63"	90.0	130.0	90.0	120.0
26-1/2"		90.0	130.0	90.0	120.0
32"		90.0	130.0	90.0	120.0
37"		90.0	130.0	90.0	120.0
19-1/8"	76"	88.0	127.2	88.0	117.4
26-1/2"		65.0	94.0	65.0	86.7
18"	48"	90.0	130.0	90.0	120.0
24"		90.0	130.0	90.0	120.0
30"		90.0	130.0	90.0	120.0
36"		90.0	130.0	90.0	120.0
18"	54"	90.0	130.0	90.0	120.0
24"		90.0	130.0	90.0	120.0
30"		90.0	130.0	90.0	120.0
36"		90.0	130.0	90.0	120.0
18"	60"	90.0	130.0	90.0	120.0
24"		90.0	130.0	90.0	120.0
30"		90.0	130.0	90.0	120.0
36"		90.0	130.0	90.0	120.0
18"	66"	90.0	130.0	90.0	120.0
24"		90.0	130.0	90.0	120.0
30"		90.0	130.0	90.0	120.0
36"		90.0	130.0	90.0	120.0
18"	72"	90.0	130.0	90.0	120.0
24"		84.1	121.5	84.1	112.1
30"		69.1	99.8	69.1	92.1
36"					

NOTE:
GLASS CAPACITIES ON THIS SHEET ARE
BASED ON ASTM E1300-09 (3 SEC. GUSTS)
AND FLORIDA BUILDING COMMISSION
DECLARATORY STATEMENT DCA05-DEC-219

GLASS D.L.O. DIMS.
D.L.O. HEIGHT = WINDOW HEIGHT - 7.625"
D.L.O. WIDTH = WINDOW WIDTH - 7.625"



WDW. HEIGHT UPTO	NO. OF KEEPERS AT SASH
26"	2
38-3/8"	3
50-5/8"	4
76"	5

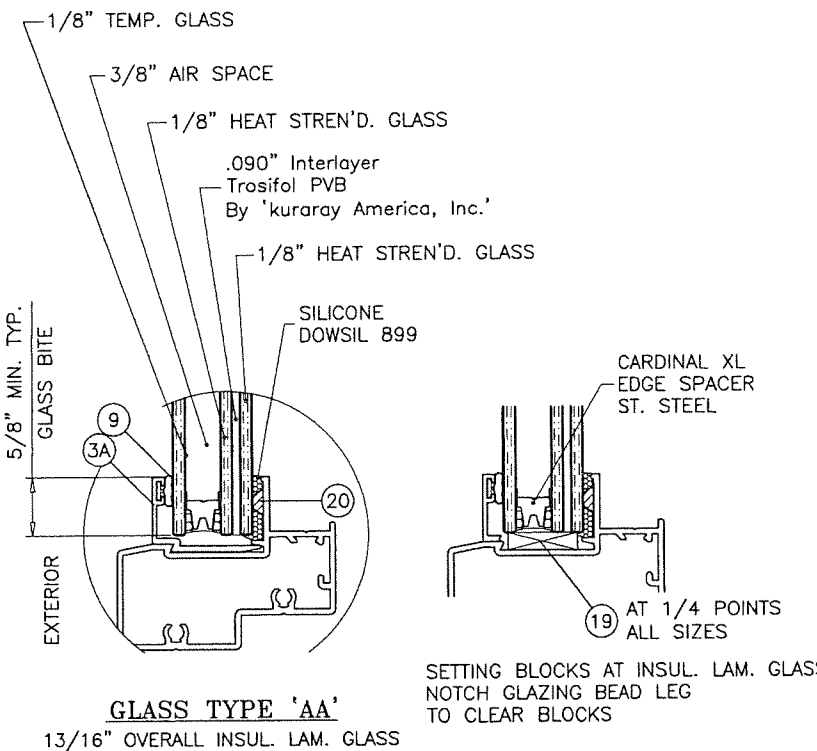
ECO-GUARD SERIES-500
ALUMINUM OUTSWING CASEMENT WINDOW
DESIGN LOAD RATINGS FOR THESE WINDOWS TO BE AS PER CHART SHOWN ABOVE.

APPROVAL APPLIES TO SINGLE UNITS OR SIDE BY SIDE COMBINATIONS OF CASMT/CASMT OR CASEMENT WITH OTHER WINDOW TYPES IN MODULES OF TWO OR MORE WINDOWS USING MIAMI-DADE COUNTY APPROVED MULLIONS IN BETWEEN. LOWER DESIGN PRESSURE FROM WINDOWS OR MULLION APPROVAL WILL APPLY TO ENTIRE SYSTEM.

THIS PRODUCT HAS BEEN DESIGNED AND TESTED TO COMPLY WITH THE REQUIREMENTS OF THE 2017 (6TH EDITION)/2020 (7TH EDITION) FLORIDA BUILDING CODE INCLUDING HIGH VELOCITY HURRICANE ZONE (HVHZ). 1BY OR 2BY WOOD BUCKS & BUCK FASTENERS BY OTHERS, MUST BE DESIGNED AND INSTALLED ADEQUATELY TO TRANSFER APPLIED PRODUCT LOADS TO THE BUILDING STRUCTURE.

ANCHORS SHALL BE CORROSION RESISTANT, SPACED AS SHOWN ON DETAILS AND INSTALLED PER MANUF'S INSTRUCTIONS. SPECIFIED EMBEDMENT TO BASE MATERIAL SHALL BE BEYOND WALL DRESSING OR STUCCO. A LOAD DURATION INCREASE IS USED IN DESIGN OF ANCHORS INTO WOOD ONLY. ALL SHIMS TO BE HIGH IMPACT, NON-METALLIC AND NON-COMPRESSIBLE. MATERIALS INCLUDING BUT NOT LIMITED TO STEEL/METAL SCREWS, THAT COME INTO CONTACT WITH OTHER DISSIMILAR MATERIALS SHALL MEET THE REQUIREMENTS OF THE 2017/2020 FLORIDA BLDG. CODE & ADOPTED STANDARDS.

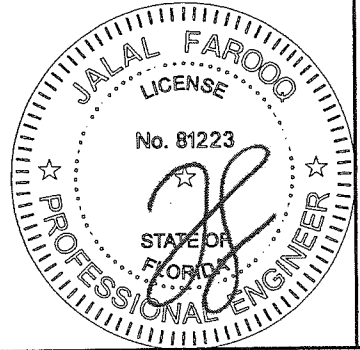
THIS PRODUCT APPROVAL IS GENERIC AND DOES NOT PROVIDE INFORMATION FOR A SITE SPECIFIC PROJECT, i.e. LIFE SAFETY OF THIS PRODUCT, ADEQUACY OF STRUCTURE RECEIVING THIS PRODUCT AND SEALING AROUND OPENING FOR WATER INFILTRATION RESISTANCE ETC. CONDITIONS NOT SHOWN IN THIS DRAWING ARE TO BE ANALYZED SEPARATELY, AND TO BE REVIEWED BY BUILDING OFFICIAL. DESIGN LOADS SHOWN ARE BASED ON 'ALLOWABLE STRESS DESIGN (ASD)'.



GLAZING OPTIONS

THESE WINDOWS ARE RATED FOR SMALL MISSILE IMPACT. MIAMI-DADE COUNTY APPROVED IMPACT RESISTANT SHUTTERS REQUIRED FOR INSTALLATIONS UP TO 30 FT. OF GRADE. SHUTTERS NOT REQD. FOR INSTALLATIONS ABOVE 30 FT. OF GRADE.

PRODUCT REVISED
as complying with the Florida Building Code
NOA-No. 20-1110.01
Expiration Date 06/23/2026
By Miami-Dade Product Control



Sealed: 11/6/2020

af c
AL-FAROOQ CORPORATION
ENGINEERS & PRODUCT DEVELOPMENT
9360 SUNSET DRIVE, SUITE 220 (C.A.N. 3588)
MIAMI, FLORIDA 33173 TEL. (305) 262-6978
TEL. (305) 264-8100 FAX (305) 264-8100 COMP-ANL\W15-13ECO

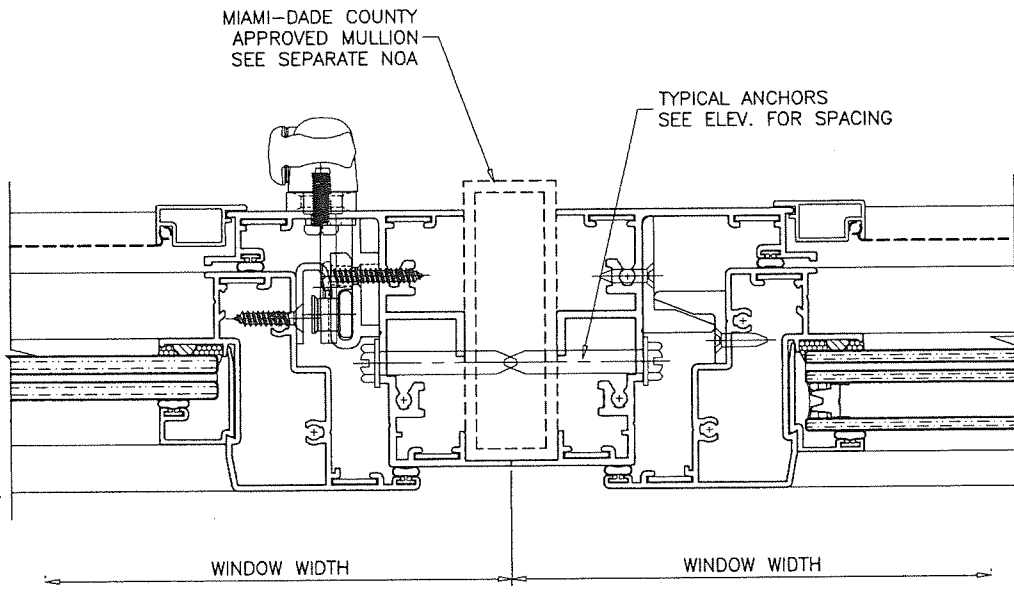
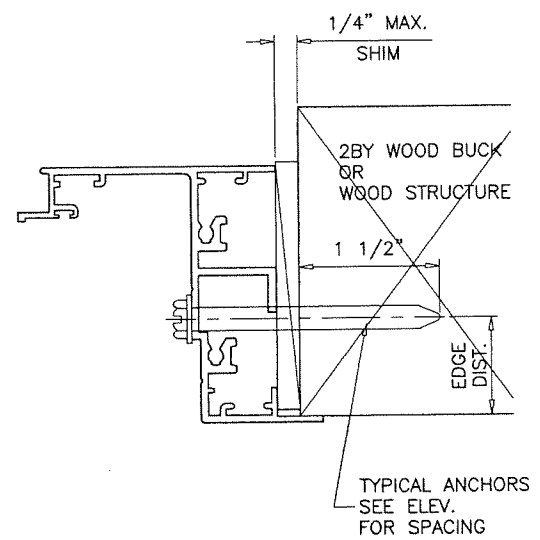
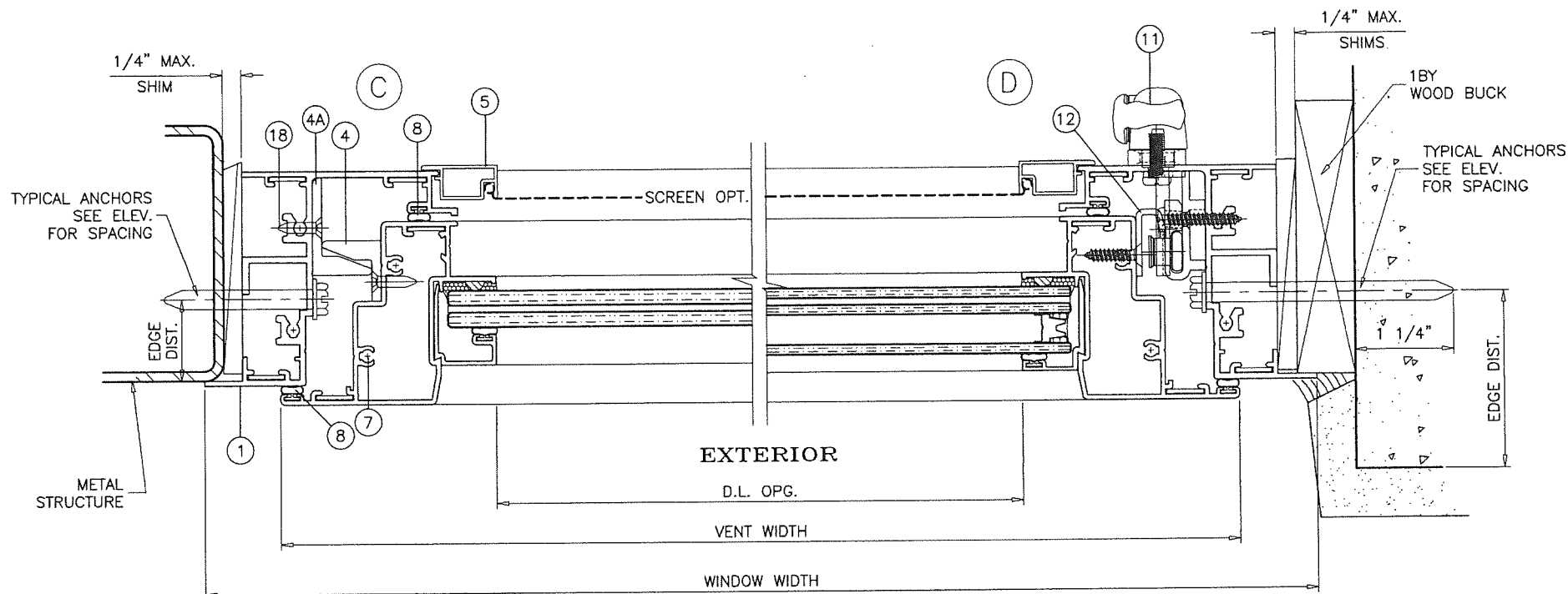
S-500 ALUM OUTSWING CASEMENT WDW. (S.M.I.)
ECO WINDOW SYSTEMS, LLC.
8502 N.W. 80th STREET
MEDLEY, FL. 33166
TEL. (305) 885-5299 FAX (305) 885-5902

no	date	description
A	06.10.16	REV. PER PER COMMENTS
B	09.27.17	UPDATED TO 2017 FBC
C	11.05.20	UPDATED TO 2020 FBC

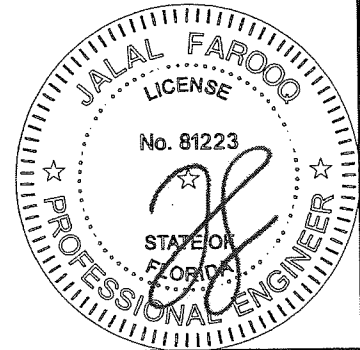
revisions: no date description
A 06.10.16 REV. PER PER COMMENTS
B 09.27.17 UPDATED TO 2017 FBC
C 11.05.20 UPDATED TO 2020 FBC

date: 03-27-15
scale: 1/2" = 1'-0"
dr. by: TARIQ
chk. by:

drawing no. **W15-13**
sheet 1 of 6



PRODUCT REVISED
 as complying with the Florida
 Building Code
 NOA-No. 20-1110.01
 Expiration Date 06/23/2026
 By *[Signature]*
 Miami-Dade Product Control



Sealed: 11/6/2020

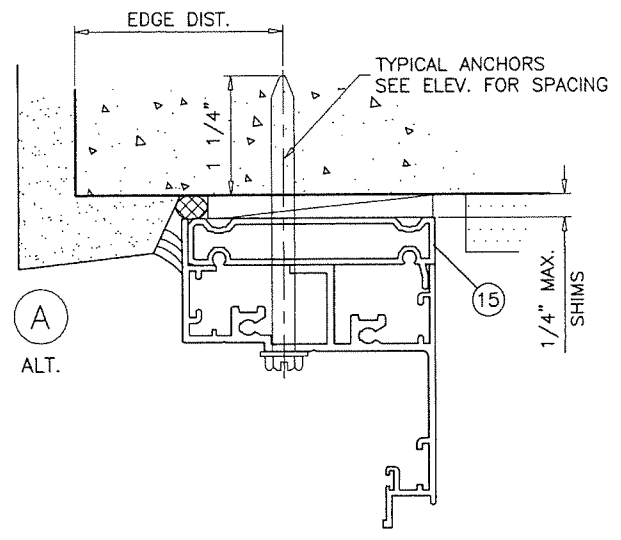
afC

AL-FAROOQ CORPORATION
 ENGINEERS & PRODUCT DEVELOPMENT
 9360 SUNSET DRIVE, SUITE 220 (C.A.N. 3598)
 MIAMI, FLORIDA 33173
 TEL. (305) 264-8100 FAX. (305) 262-6978
 COMP-ANL\W15-13ECO

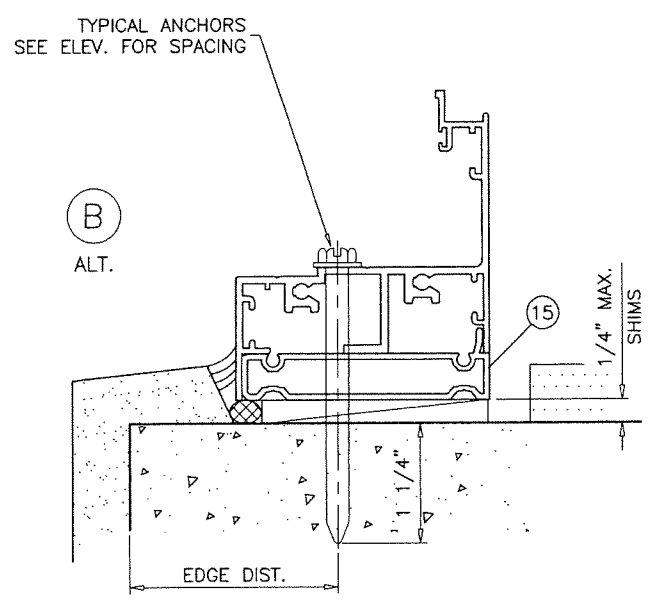
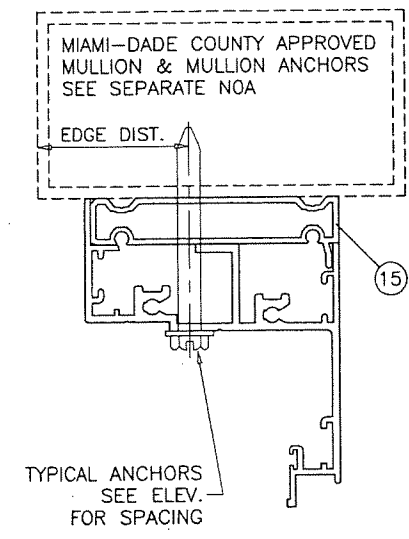
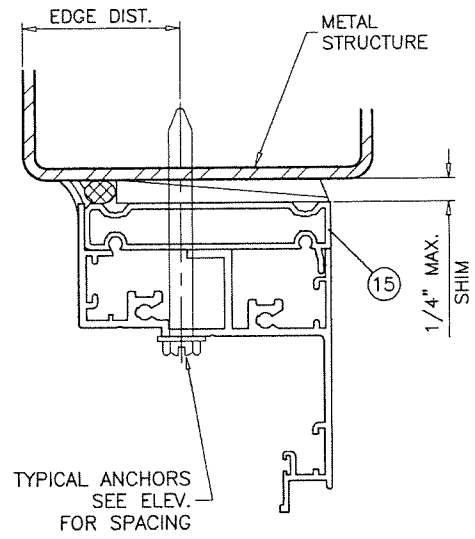
S-500 ALUM OUTSWING CASEMENT WDW. (S.M.I.)
ECO WINDOW SYSTEMS, LLC.
 8502 N.W. 80th STREET
 MEDLEY, FL. 33166
 TEL. (305) 885-5299 FAX (305) 885-5902

no	date	by	description
A	06.10.16		NO CHANGE THIS SHEET
B	09.27.17		UPDATED TO 2017 FBC
C	11.05.20		UPDATED TO 2020 FBC

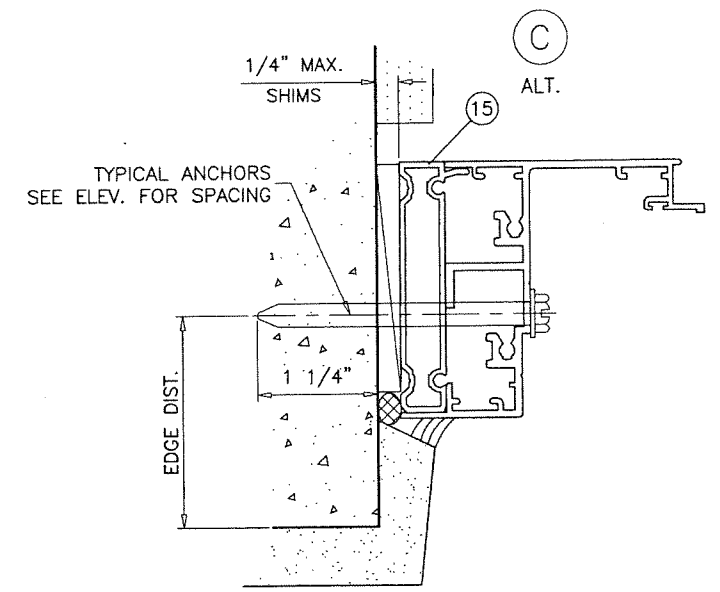
date: 03-27-15	scale: 1/2" = 1"	dr. by: TARIQ	chk. by:
drawing no. W15-13			
sheet 3 of 6			



A
ALT.



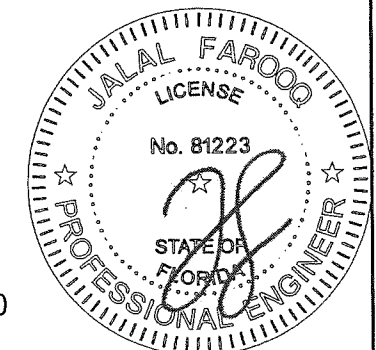
B
ALT.



C
ALT.

INSTALLATION DETAILS WITH FLUSH FRAME ADAPTER

PRODUCT REVISED
 as complying with the Florida
 Building Code
 NOA-No. 20-1110.01
 Expiration Date 06/23/2026
 By *[Signature]*
 Miami-Dade Product Control



Sealed: 11/6/2020

afc

AL-FAROOQ CORPORATION
 ENGINEERS & PRODUCT DEVELOPMENT
 9360 SUNSET DRIVE, SUITE 220
 MIAMI, FLORIDA 33173 (C.A.N. 3538)
 TEL. (305) 264-8100 FAX. (305) 262-6978
 COMP-ANL\W15-13ECO

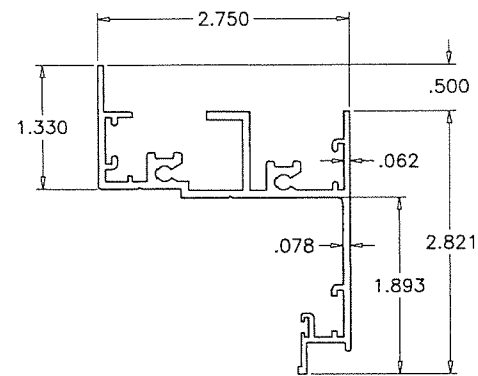
S-500 ALUM OUTSWING CASEMENT WDW. (S.M.I.)
ECO WINDOW SYSTEMS, LLC.
 8502 N.W. 80th STREET
 MEDLEY, FL. 33166
 TEL. (305) 885-5299 FAX (305) 885-5902

no.	date	description
A	06.10.16	NO CHANGE THIS SHEET
B	09.27.17	UPDATED TO 2017 FBC
C	11.05.20	UPDATED TO 2020 FBC

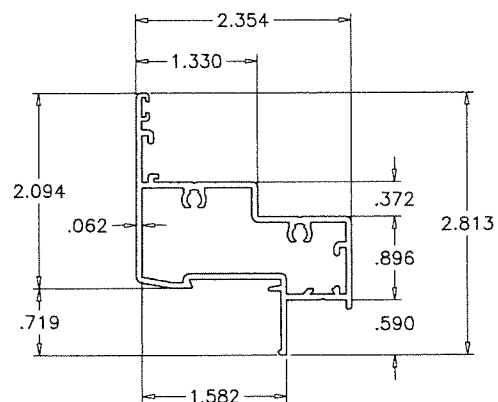
revisions:

date:	03-27-15
scale:	1/2" = 1"
dr. by:	TARIQ
chk. by:	

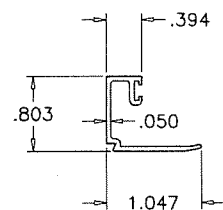
drawing no.
W15-13
 sheet 4 of 6



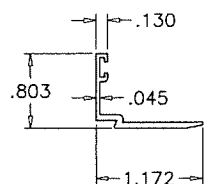
① FRAME HEAD/SILL/JAMB



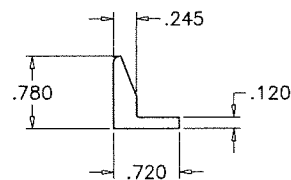
② VENT



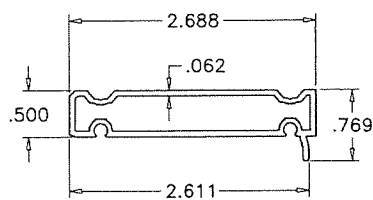
③ GLAZING BEAD (7/16" LAM. GLASS)



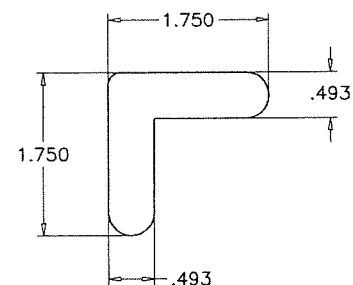
③A GLAZING BEAD (INSUL. LAM. GLASS)



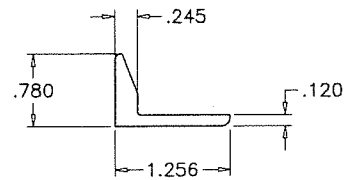
④ SNUBBER - VENT



⑮ FLUSH FRAME ADAPTER



⑭ CORNER KEY



④A SNUBBER - FRAME

ITEM	PART #	QUANTITY	DESCRIPTION	MATERIAL	MANF./SUPPLIER/REMARKS
1	E501	4	FRAME HEAD/SILL/JAMB	6063-T6	-
2	E502	4	VENT	6063-T6	-
3	FY109	AS REQD.	GLAZING BEAD (7/16" LAM. GLASS)	6063-T6	-
3A	E505	AS REQD.	GLAZING BEAD (INSUL. LAM. GLASS)	6063-T6	-
4	E508	AS REQD.	SNUBBER - VENT (LENGTH = VENT HT.)	6063-T6	-
4A	E509	AS REQD.	SNUBBER - FRAME (LENGTH = VENT HT.)	6063-T6	-
5	E506	OPTIONAL	SCREEN FRAME	6063-T5	-
7	#10 X 1-1/4"	AS REQD.	FRAME AND VENT ASSEMBLY SCREWS	-	H WH SMS
8	E203	AS REQD.	BULB WEATHERSTRIPPING, DUROMETER 65	SANTOPRENE	ULTRAFAB
9	E203	AS REQD.	GLAZING BEAD BULB, DUROMETER 65	SANTOPRENE	ULTRAFAB
10	35.12.00.400	2/ VENT	4 BAR HINGE, AT TOP AND BOTTOM	STEEL	TRUTH, INSTALLED WITH (2) #10 X 3/4" SDS
11	13096.92	1	MULTI POINT LOCK SYSTEM	ZAMAK	TRUTH
12	-	AS REQD.	KEEPER	STEEL	SEE SHEET 1 FOR QUANTITIES
13	-	1/ VENT	ROTO OPERATOR	ZAMAK/STL.	TRUTH
14	PSJ40-SS	2/ CORNER	FRAME/VENT CORNER KEY	ST. STEEL	-
15	FY120	AS REQD.	FLUSH FRAME ADAPTER	6063-T6	OPTIONAL
16	-	3	ANTI SAG SKATE	NYLON	M&M PLASTICS
17	#10 X 1-1/4"	2/ SKATE	FH SDS SKATE SCREWS	-	-
18	#8 X 3/4"	AS REQD.	SNUBBER SCREWS, FH SELF DRILLING	-	IN PAIRS 2" APART, PAIRS SPACED AT 7-3/4" O.C.
19	-	2/ LITE	SETTING BLOCK, 3/16" X 3/4" X 4" LONG	EPDM	DUROMETER 80±5 SHORE A
20	FLB-50	-	GLASS SPACER - 1/8" HIGH	SILICONE	FRANK LOWE

SEALANT:

ALL JOINTS AND FRAME CONNECTIONS SEALED WITH SCHNEE-MOREHEAD SM5504 SEAM SEALER. PERIMETER CAULKING SICAFLEX 15LM ON EXTERIOR ONLY.

LOCKS:

MULTIPOINT LOCK SYSTEM #13096.92 BY 'TRUTH' AT FRAME JAMB
 LOCK OPERATOR #24.33.XX.004 AT 8-1/2" FROM SILL FASTENED TO JAMBS WITH (2) #10 X 1/2" PH SMS.
 LOCK BAR SECURED TO JAMB WITH LOCK GUIDES #33489.00.0001 SPACED AT 12-3/4" O.C. MAX. EACH GUIDE FASTENED WITH (2) #8 X 1" PH SMS

STAINLESS STEEL KEEPERS #31964.92 AT VENT EACH FASTENED WITH (2) #8 X 3/4" FH SDS SEE CHART ON SHEET 1 FOR QUANTITIES

HINGES:

4 BAR ST/ST HINGES #35.12.00.400 BY 'TRUTH' LOCATED AT TOP AND BOTTOM CORNERS, FASTENED TO FRAME WITH (2) #10 X 3/4" PH SMS
 VENT WITH (2) #10 X 3/4" PH SMS

OPERATOR:

SINGLE ARM ROTO OPERATOR #52.13.012 BY 'TRUTH' LOCATED AT SILL END FASTENED WITH (6) #10 X 1" FH SMS
 OPERATOR TRACK #30175 AT BOTTOM RAIL FASTENED WITH (2) #10 X 1" P PH SMS

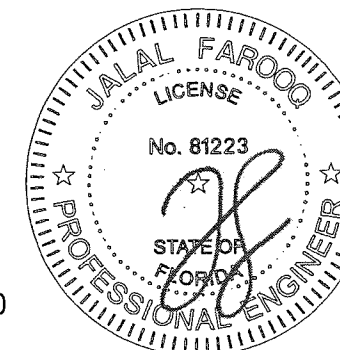
ANTI-SAG SKATES:

VINYL ANTI-SAG SKATES BY 'M&M PLASTICS' (2) AT LOCK STILE AT 6-3/4" FROM TOP/BOTTOM RAILS (1) AT BOTTOM RAIL AT 4" FROM LOCK STILE EACH FASTENED WITH (2) #10 X 1-1/4" FH SDS.

PRODUCT REVISED
 as complying with the Florida Building Code
 NOA-No. 20-1110.01

Expiration Date 06/23/2026

By *[Signature]*
 Miami-Dade Product Control



Sealed: 11/6/2020



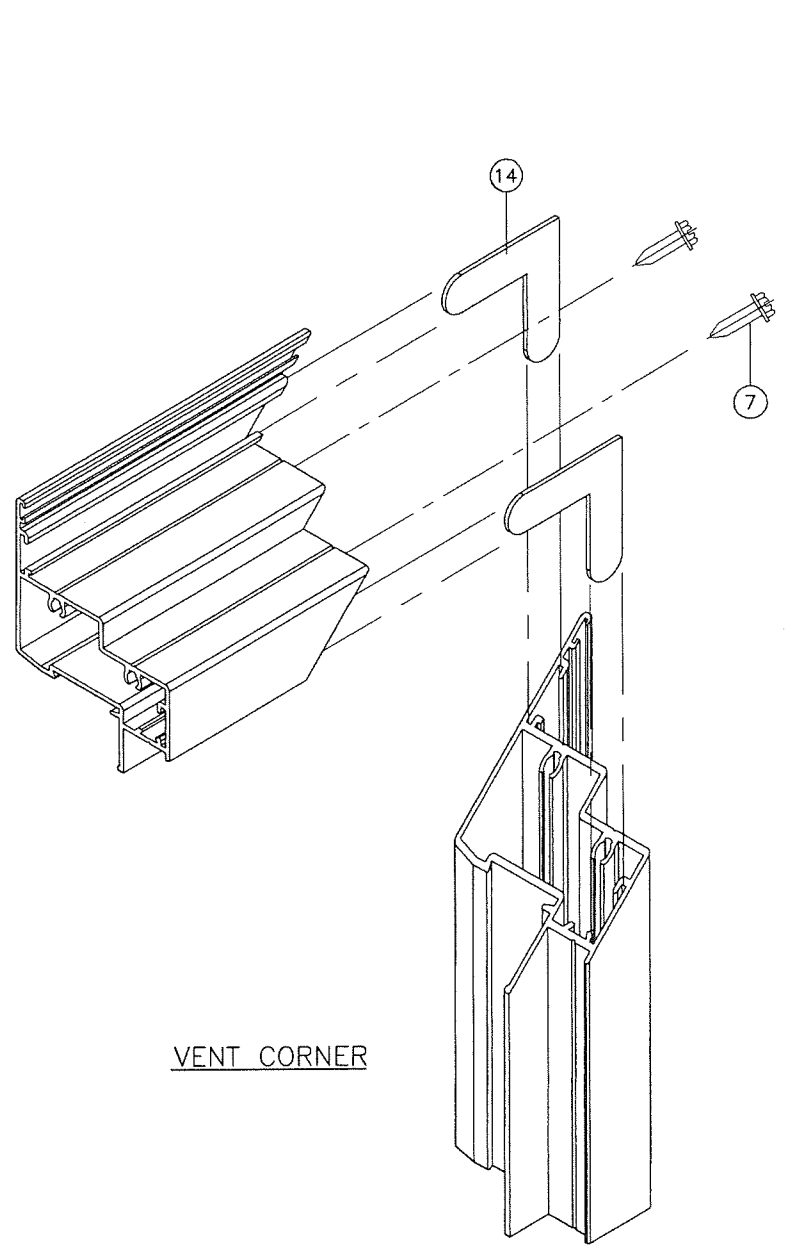
AL-FAROOQ CORPORATION
 ENGINEERS & PRODUCT DEVELOPMENT
 9360 SUNSET DRIVE, SUITE 220
 MIAMI, FLORIDA 33173 (C.A.N. 3538)
 TEL. (305) 264-8100 FAX. (305) 262-6978

S-500 ALUM OUTSWING CASEMENT WDW. (S.M.I.)
ECO WINDOW SYSTEMS, LLC.
 8502 N.W. 80th STREET
 MEDLEY, FL. 33166
 TEL. (305) 885-5299 FAX (305) 885-5902

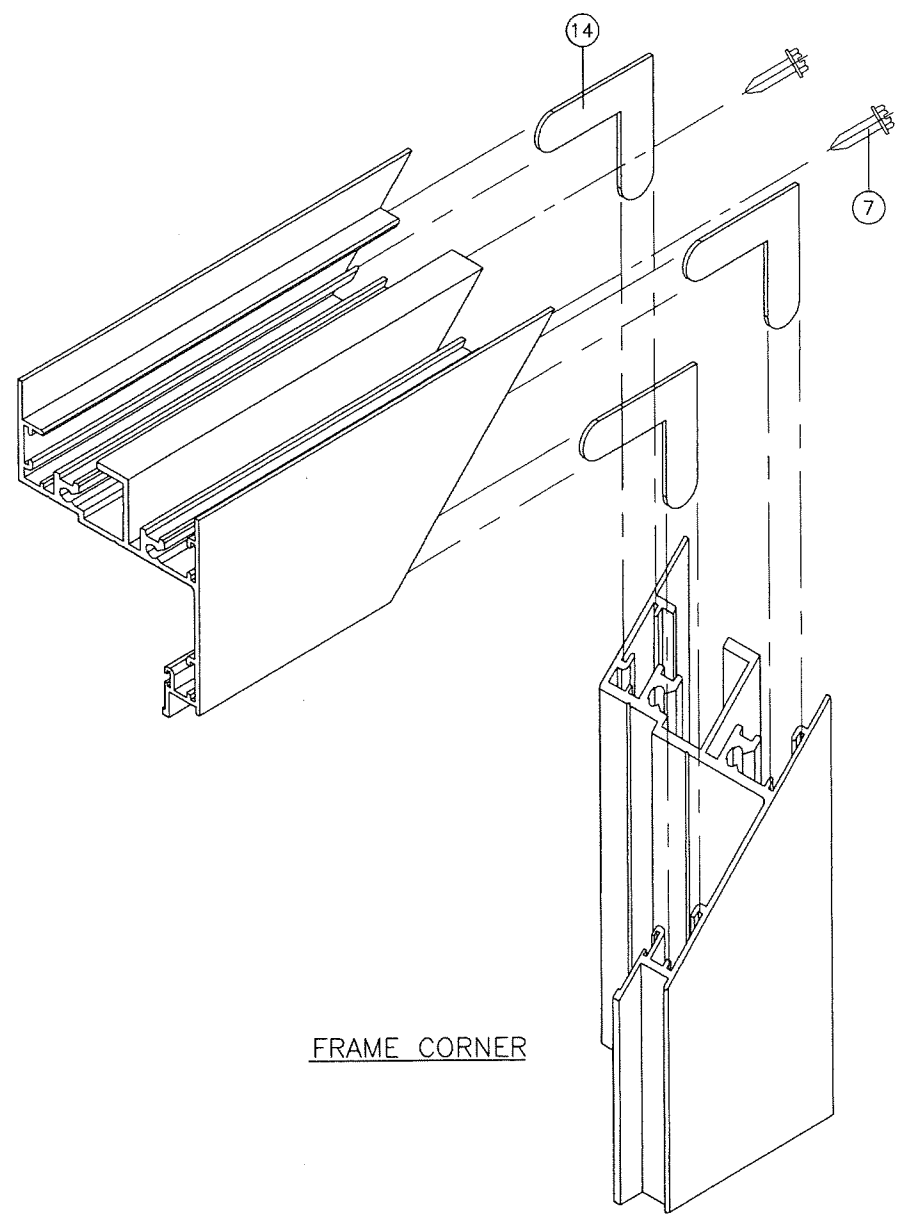
no.	date	description	rev.	per	comments
A	06.10.16				REV. PER RER COMMENTS
B	09.27.17				UPDATED TO 2017 FBC
C	11.05.20				UPDATED TO 2020 FBC

date:	03-27-15
scale:	1/2" = 1"
dr. by:	TARIQ
chk. by:	
drawing no.	W15-13
sheet	5 of 6

COMP-ANL\W15-13ECO



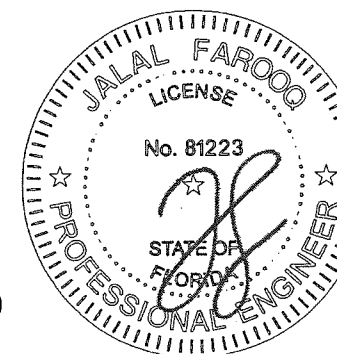
VENT CORNER



FRAME CORNER

PRODUCT REVISED
 as complying with the Florida
 Building Code
 NOA-No. 20-1110.01
 Expiration Date 06/23/2026
 By TARIQ
 Miami-Dade Product Control

Sealed: 11/6/2020



afc

AL-FAROOQ CORPORATION
 ENGINEERS & PRODUCT DEVELOPMENT
 9360 SUNSET DRIVE, SUITE 220
 MIAMI, FLORIDA 33173 (C.A.N. 3538)
 TEL. (305) 264-8100 FAX. (305) 262-6978

COMP-ANL\W15-13ECO

S-500 ALUM OUTSWING CASEMENT WDW. (S.M.I.)
ECO WINDOW SYSTEMS, LLC.
 8502 N.W. 80th STREET
 MEDLEY, FL. 33166
 TEL. (305) 885-5299 FAX (305) 885-5902

no	date	by	description
A	06.10.16		NO CHANGE THIS SHEET
B	09.27.17		UPDATED TO 2017 FBC
C	11.05.20		UPDATED TO 2020 FBC

date: 03-27-15	scale: 1/2" = 1"
dr. by: TARIQ	chk. by:

drawing no.
W15-13
 sheet 6 of 6