



**MIAMI-DADE COUNTY  
PRODUCT CONTROL SECTION**

11805 SW 26 Street, Room 208

Miami, FL 33175

T (786) 315-2590 F (786) 315-2599

**DEPARTMENT OF REGULATORY AND ECONOMIC RESOURCES (RER)  
BOARD AND CODE ADMINISTRATION DIVISION**

[www.miamidade.gov/economy](http://www.miamidade.gov/economy)

**NOTICE OF ACCEPTANCE (NOA)**

**Eco Window Systems, LLC**

**8502 NW 80 Street**

**Medley, FL 33166**

**SCOPE:**

This NOA is being issued under the applicable rules and regulations governing the use of construction materials. The documentation submitted has been reviewed and accepted by Miami-Dade County RER - Product Control Section to be used in Miami Dade County and other areas where allowed by the Authority Having Jurisdiction (AHJ).

This NOA shall not be valid after the expiration date stated below. The Miami-Dade County Product Control Section (In Miami Dade County) and/or the AHJ (in areas other than Miami Dade County) reserve the right to have this product or material tested for quality assurance purposes. If this product or material fails to perform in the accepted manner, the manufacturer will incur the expense of such testing and the AHJ may immediately revoke, modify, or suspend the use of such product or material within their jurisdiction. RER reserves the right to revoke this acceptance, if it is determined by Miami-Dade County Product Control Section that this product or material fails to meet the requirements of the applicable building code.

This product is approved as described herein, and has been designed to comply with the Florida Building Code, including the High Velocity Hurricane Zone.

**DESCRIPTION: Series "150" Aluminum Single Hung Window – S.M.I.**

**APPROVAL DOCUMENT:** Drawing No. **W18-50D**, titled "Series-150 Alum. S.H. Wdw. (S.M.I.)", sheets 1 through 7 of 7, dated 04/23/18, with revision **B** dated 11/05/20, prepared by Al-Farooq Corporation, signed and sealed by Jalal Farooq, P.E., bearing the Miami-Dade County Product Control Section Revision Stamp with the Notice of Acceptance number and expiration date by the Miami-Dade County Product Control Section.

**MISSILE IMPACT RATING: Small Missile Impact Resistant**

**LABELING:** Each unit shall bear a permanent label with the manufacturer's name or logo, city, state, model/series, and following statement: "Miami-Dade County Product Control Approved", unless otherwise noted herein.

**RENEWAL** of this NOA shall be considered after a renewal application has been filed and there has been no change in the applicable building code negatively affecting the performance of this product.

**TERMINATION** of this NOA will occur after the expiration date or if there has been a revision or change in the materials, use, and/or manufacture of the product or process. Misuse of this NOA as an endorsement of any product, for sales, advertising or any other purposes shall automatically terminate this NOA. Failure to comply with any section of this NOA shall be cause for termination and removal of NOA.

**ADVERTISEMENT:** The NOA number preceded by the words Miami-Dade County, Florida, and followed by the expiration date may be displayed in advertising literature. If any portion of the NOA is displayed, then it shall be done in its entirety.

**INSPECTION:** A copy of this entire NOA shall be provided to the user by the manufacturer or its distributors and shall be available for inspection at the job site at the request of the Building Official.

This NOA **revised NOA# 18-0503.02** and consists of this page 1 and evidence pages E-1 and E-2, as well as approval document mentioned above.

The submitted documentation was reviewed by **Sifang Zhao, P.E.**



*S.Z.*  
02/11/2021

**NOA No. 20-1119.02**  
**Expiration Date: July 05, 2023**  
**Approval Date: February 11, 2021**  
Page 1

Eco Window Systems, LLC.

NOTICE OF ACCEPTANCE: EVIDENCE SUBMITTED

**1. EVIDENCE SUBMITTED UNDER PREVIOUS NOA's**

**A. DRAWINGS**

1. Manufacturer's die drawings and sections. *(Submitted under NOA No. 18-0503.02)*
2. Drawing No **W18-50D**, titled "Series-150 Alum. S.H. Wdw. (S.M.I.)", sheets 1 through 7 of 7, dated 04/23/18, with revision "A" dated 06/05/18, prepared by Al-Farooq Corporation, signed and sealed by Javad Ahmad, P.E.

**B. TESTS**

1. Test reports on: 1) Air Infiltration Test, per FBC, TAS 202-94  
2) Uniform Static Air Pressure Test, Loading per FBC TAS 202-94  
3) Water Resistance Test, per FBC, TAS 202-94  
4) Forced Entry Test, per FBC 2411 3.2.1 and TAS 202-94  
5) Small Missile Impact Test per FBC, TAS 201-94  
6) Cyclic Wind Pressure Loading per FBC, TAS 203-94  
along with installation diagrams of 53 1/8" wide x 76" high (SMI), Series 150 aluminum single hung window, prepared by Fenestration Testing Laboratory, Inc., Test Report No. **FTL-9886**, dated 02/08/18, signed and sealed by Idalmis Ortega, P.E. *(Submitted under NOA No. 18-0503.02)*

**C. CALCULATIONS**

1. Anchor verification calculations and structural analysis, complying with **FBC-6<sup>th</sup> Edition (2017)**, dated 03/23/18, prepared by Al-Farooq Corporation, signed and sealed by Javad Ahmad, P.E. *(Submitted under NOA No. 18-0503.02)*
2. Glazing complies with **ASTM E1300-09**

**D. QUALITY ASSURANCE**

1. Miami-Dade Department of Regulatory and Economic Resources (RER).

**E. MATERIAL CERTIFICATIONS**

1. NOA No. **17-1114.14** issued to **Kuraray America, Inc.** for their "**Trosifol® Ultraclear, Clear and Color PVB Glass Interlayers**" dated 01/18/18, expiring on 07/08/19.

**F. STATEMENTS**

1. Statement letter of conformance, complying with **FBC-6<sup>th</sup> Edition (2017)**, and of no financial interest, dated March 30, 2018, issued by Al-Farooq Corporation, signed and sealed by Javad Ahmad, P.E.

**G. OTHERS**

1. None.



---

Sifang Zhao, P.E.  
Product Control Examiner  
NOA No. 20-1119.12  
Expiration Date: July 05, 2023  
Approval Date: February 11, 2021

**Eco Window Systems, LLC.**

**NOTICE OF ACCEPTANCE: EVIDENCE SUBMITTED**

**2. NEW EVIDENCE SUBMITTED**

**A. DRAWINGS**

1. Drawing No. **W18-50D**, titled “Series-150 Alum. S.H. Wdw. (S.M.I.)”, sheets 1 through 7 of 7, dated 04/23/18, with revision **B** dated 11/05/20, prepared by Al-Farooq Corporation, signed and sealed by Jalal Farooq, P.E.,

**B. TESTS**

1. None.

**C. CALCULATIONS**

1. None.

**D. QUALITY ASSURANCE**

1. Miami-Dade Department of Regulatory and Economic Resources (RER).

**E. MATERIAL CERTIFICATIONS**

1. Notice of Acceptance No. **20-0915.22** issued to **Kuraray America, Inc.** for their “Trosifol® Ultraclear, Clear and Color PVB Glass Interlayers”, expiring on 07/08/24.

**F. STATEMENTS**

1. Statement letter of conformance, complying with **FBC 6th Edition (2017)**, with **FBC 7th Edition (2020)**, and of no financial interest, dated 11/05/2020, prepared by Al-Farooq Corporation and signed and sealed by Jalal Farooq, P.E.

**G. OTHERS**

1. Notice of Acceptance No. **18-0503.02**, issued to Eco Window Systems, LLC for their “Series “150” Aluminum Single Hung Window – S.M.I.”, approved on 07/05/2018 and expires on 07/05/2023.



---

Sifang Zhao, P.E.  
Product Control Examiner  
NOA No. 20-1119.12  
Expiration Date: July 05, 2023  
Approval Date: February 11, 2021

THESE WINDOWS ARE RATED FOR SMALL MISSILE IMPACT.  
 MIAMI-DADE COUNTY APPROVED IMPACT RESISTANT SHUTTERS REQUIRED  
 FOR INSTALLATIONS UP TO 30 FT. OF GRADE.  
 SHUTTERS NOT REQD. FOR INSTALLATIONS ABOVE 30 FT. OF GRADE.

**SERIES-150 (S.M.I.)  
 ALUMINUM SINGLE HUNG WINDOW**

DESIGN LOAD RATINGS FOR THESE WINDOWS TO BE AS PER  
 CHART SHOWN ON SHEET 2.

APPROVAL APPLIES TO SINGLE UNITS OR SIDE BY SIDE  
 COMBINATIONS OF S.H./S.H. OR SINGLE HUNG WITH OTHER  
 WINDOW TYPES IN MODULES OF TWO OR MORE WINDOWS USING  
 MIAMI-DADE COUNTY APPROVED MULLIONS IN BETWEEN.

LOWER DESIGN PRESSURE FROM WINDOWS OR MULLION APPROVAL  
 WILL APPLY TO ENTIRE SYSTEM.

THIS PRODUCT HAS BEEN DESIGNED AND TESTED TO COMPLY WITH THE  
 REQUIREMENTS OF THE 2017 (6TH EDITION)/2020 (7TH EDITION) FLORIDA  
 BUILDING CODE INCLUDING HIGH VELOCITY HURRICANE ZONE (HVHZ).

1BY OR 2BY WOOD BUCKS & BUCK FASTENERS BY OTHERS, MUST BE  
 DESIGNED AND INSTALLED ADEQUATELY TO TRANSFER APPLIED PRODUCT LOADS  
 TO THE BUILDING STRUCTURE.

ANCHORS SHALL BE CORROSION RESISTANT, SPACED AS SHOWN ON DETAILS  
 AND INSTALLED PER MANUF'S INSTRUCTIONS. SPECIFIED EMBEDMENT TO BASE  
 MATERIAL SHALL BE BEYOND WALL DRESSING OR STUCCO.

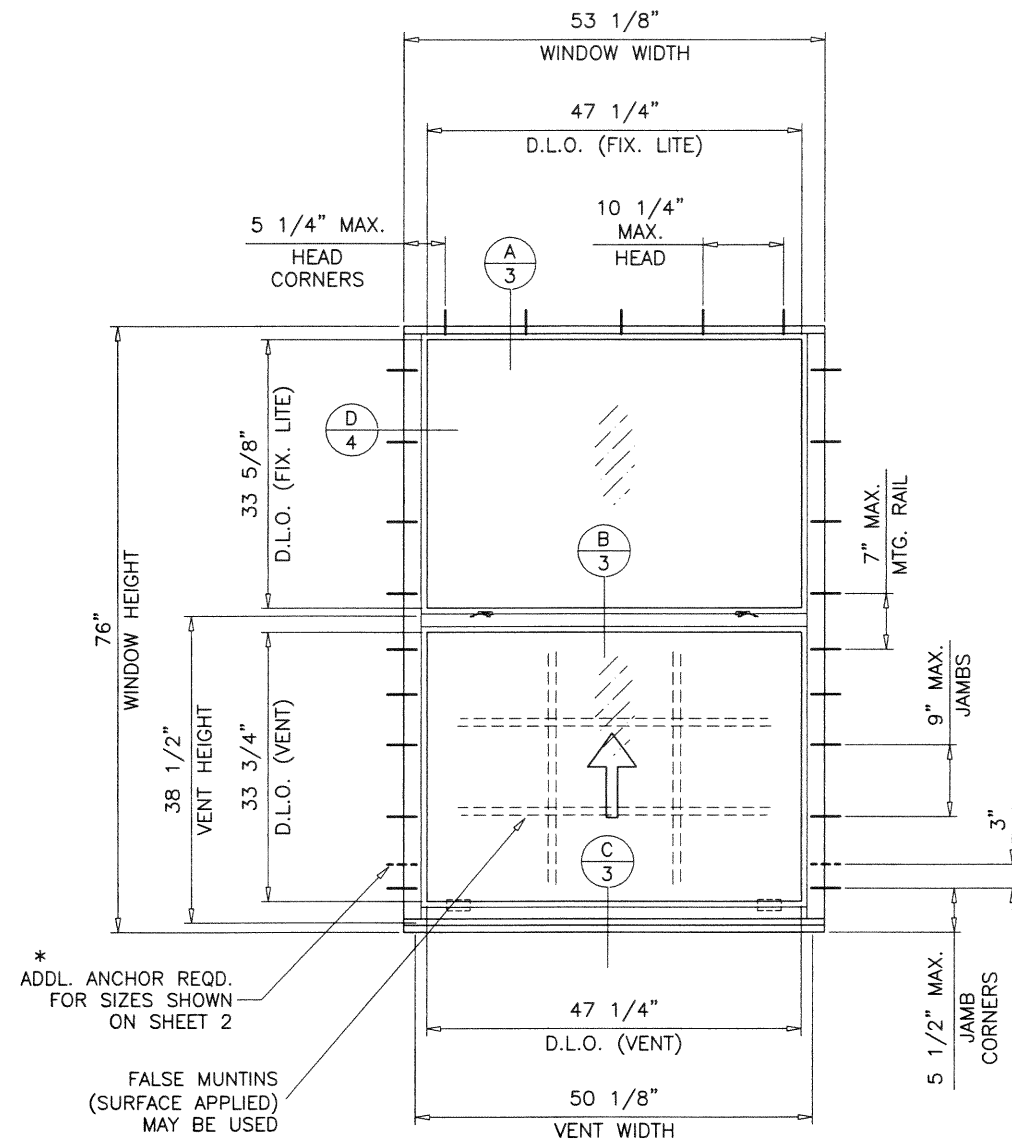
A LOAD DURATION INCREASE IS USED IN DESIGN OF ANCHORS INTO WOOD ONLY.

ALL SHIMS TO BE HIGH IMPACT, NON-METALLIC AND NON-COMPRESSIBLE.

MATERIALS INCLUDING BUT NOT LIMITED TO STEEL/METAL SCREWS, THAT  
 COME INTO CONTACT WITH OTHER DISSIMILAR MATERIALS SHALL MEET THE  
 REQUIREMENTS OF THE 2017/2020 FLORIDA BLDG. CODE & ADOPTED STANDARDS.

THIS PRODUCT APPROVAL IS GENERIC AND DOES NOT PROVIDE INFORMATION  
 FOR A SITE SPECIFIC PROJECT, i.e. LIFE SAFETY OF THIS PRODUCT, ADEQUACY  
 OF STRUCTURE RECEIVING THIS PRODUCT AND SEALING AROUND OPENING FOR  
 WATER INFILTRATION RESISTANCE ETC.  
 CONDITIONS NOT SHOWN IN THIS DRAWING ARE TO BE ANALYZED SEPARATELY,  
 AND TO BE REVIEWED BY BUILDING OFFICIAL.

DESIGN LOADS SHOWN ARE BASED ON 'ALLOWABLE STRESS DESIGN (ASD)'.

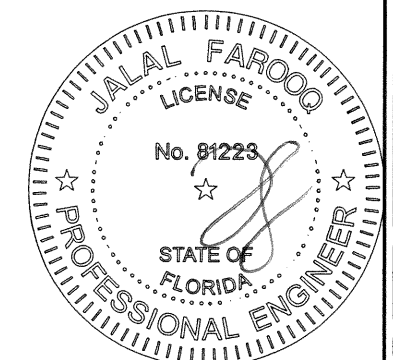


**TYPICAL ELEVATION**  
 (TESTED UNIT)

\* ADDL. ANCHOR REQD.  
 FOR SIZES SHOWN  
 ON SHEET 2

FALSE MUNTINS  
 (SURFACE APPLIED)  
 MAY BE USED

LAMINATED GLASS  
 INSUL. LAM. GLASS  
 SMALL MISSILE IMPACT



**PRODUCT REVISED**  
 as complying with the Florida  
 Building Code  
 NOA-No. 20-1119.12  
 Expiration Date 07/05/2023  
 By *[Signature]*  
 Miami-Dade Product Control

NOV 10 2020

**af c**  
**AL-FAROOQ CORPORATION**  
 ENGINEERS & PRODUCT DEVELOPMENT  
 9360 SUNSET DRIVE, SUITE 220 (C.A.N. 3538)  
 MIAMI, FLORIDA 33173 FAX. (305) 262-6978  
 TEL. (305) 264-8100

SERIES-150 ALUM SINGLE HUNG WDW. (S.M.I.)  
**ECO WINDOW SYSTEMS, LLC.**  
 8502 N.W. 80th STREET  
 MEDLEY, FL. 33166  
 TEL. (305) 885-5299 FAX (305) 885-5902

no	date	description	by
A	06.05.18	NO CHANGE THIS SHEET	
B	11.05.20	UPDATED TO 2020 FBC	

date: 04-23-18  
 scale: 1/2"=1'-0"  
 dr. by: TARIQ  
 chk. by:

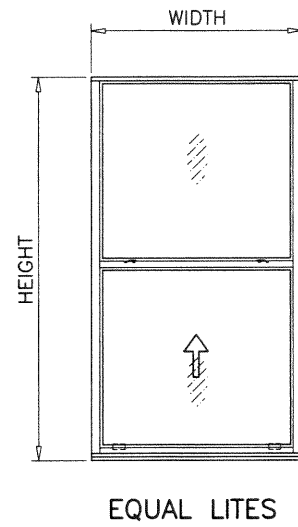
drawing no.  
**18-50D**  
 sheet 1 of 7

COMP-ANL\18-50D-ECO

EQUAL LITES WINDOWS				
DESIGN LOAD CAPACITY - PSF				
FLANGE DIMS.		GLASS TYPES 'G1' & 'G2'		
WIDTH	HEIGHT	EXT.(+)	INT.(-)	
19-1/8"	38-3/8"	80.0	135.0	
26-1/2"		80.0	135.0	
30"		80.0	135.0	
42"		(4)	80.0	135.0
48"		80.0	135.0	
53-1/8"		80.0	135.0	
19-1/8"	50-5/8"	80.0	135.0	
26-1/2"		80.0	135.0	
30"		80.0	135.0	
42"		(6)	80.0	135.0
48"		80.0	135.0	
53-1/8"		80.0	135.0	
19-1/8"	63"	80.0	135.0	
26-1/2"		80.0	135.0	
30"		80.0	135.0	
42"		(6)	80.0	135.0
48"		80.0	135.0	
53-1/8"		80.0	133.7	
19-1/8"	76"	80.0	135.0	
26-1/2"		80.0	135.0	
30"		80.0	135.0	
42"		(8)	80.0	135.0
48"		80.0	135.0	
53-1/8"		80.0	131.4	
19-1/8"	84"	80.0	135.0	
26-1/2"		80.0	135.0	
30"		80.0	135.0	
42"		(10)	80.0	135.0
48"		80.0	135.0	
19-1/8"	96"	80.0	135.0	
26-1/2"		80.0	135.0	
30"		(12)	80.0	135.0
42"		80.0	135.0	

\* ADDL. ANCHOR REQD. AT SILL ENDS FOR THESE SIZES.

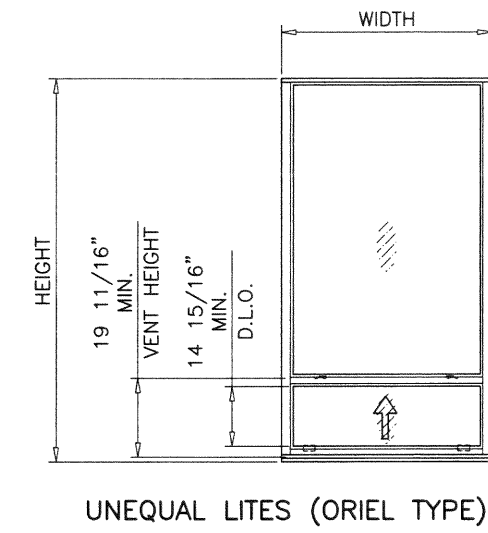
\* NO. IN PARENTHESIS INDICATE NO. OF ANCHORS PER JAMB.



EQUAL LITES

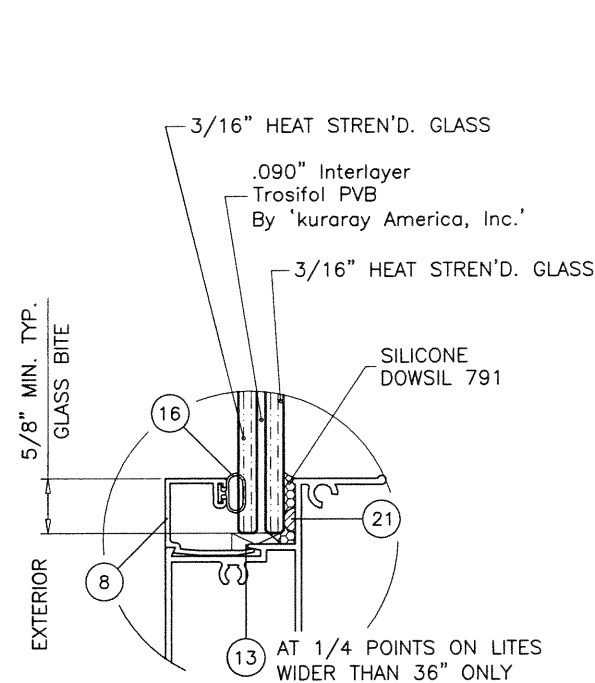
UNEQUAL LITES WINDOWS				
DESIGN LOAD CAPACITY - PSF				
FLANGE DIMS.		GLASS TYPES 'G1' & 'G2'		
WIDTH	HEIGHT	EXT.(+)	INT.(-)	
19-1/8"	38-3/8"	80.0	135.0	
26-1/2"		80.0	135.0	
30"		80.0	135.0	
42"		(4)	80.0	135.0
48"		80.0	135.0	
53-1/8"		80.0	135.0	
19-1/8"	50-5/8"	80.0	135.0	
26-1/2"		80.0	135.0	
30"		80.0	135.0	
42"		(6)	80.0	135.0
48"		80.0	135.0	
53-1/8"		80.0	135.0	
19-1/8"	63"	80.0	135.0	
26-1/2"		80.0	135.0	
30"		(6)	80.0	135.0
42"		80.0	135.0	
19-1/8"	76"	80.0	135.0	
26-1/2"		(8)	80.0	135.0
30"		80.0	135.0	
19-1/8"	84"	80.0	135.0	
26-1/2"		(10)	80.0	135.0
30"		80.0	135.0	
19-1/8"	96" (12)	80.0	135.0	

\* NO. IN PARENTHESIS INDICATE NO. OF ANCHORS PER JAMB.

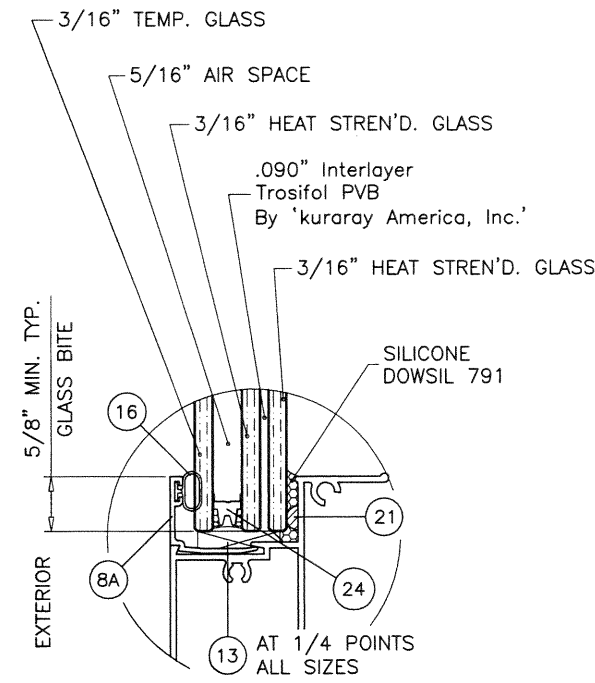


UNEQUAL LITES (ORIEL TYPE)

\* ADDL. ANCHOR REQD. AT SILL ENDS FOR THIS SIZE.



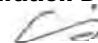
GLASS TYPE 'G1'  
7/16" OVERALL LAM. GLASS

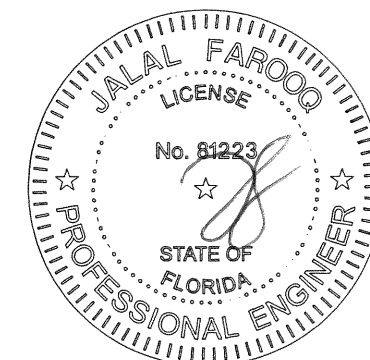


GLASS TYPE 'G2'  
15/16" OVERALL INSUL. LAM. GLASS

GLAZING OPTIONS

NOTE: GLASS CAPACITIES ON THIS SHEET ARE BASED ON ASTM E1300-09 (3 SEC. GUSTS) AND FLORIDA BUILDING COMMISSION DECLARATORY STATEMENT DCA05-DEC-219

**PRODUCT REVISED**  
as complying with the Florida Building Code  
NOA-No. 20-1119.12  
Expiration Date 07/05/2023  
By   
Miami-Dade Product Control



NOV 10 2020

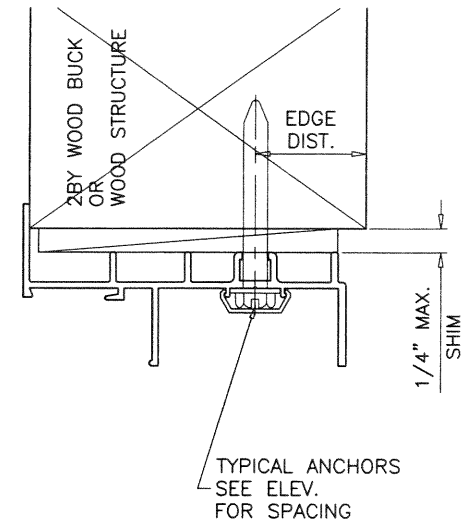
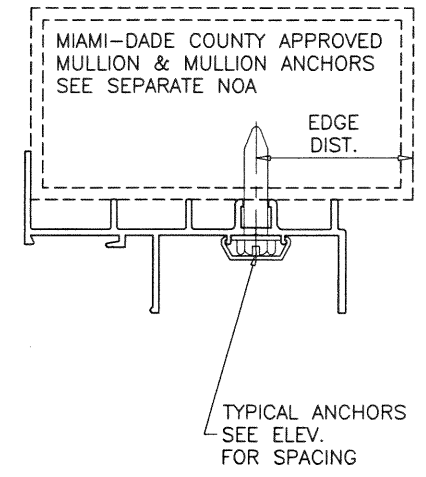
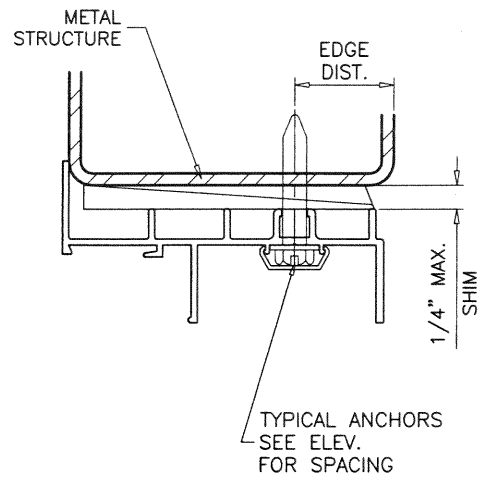
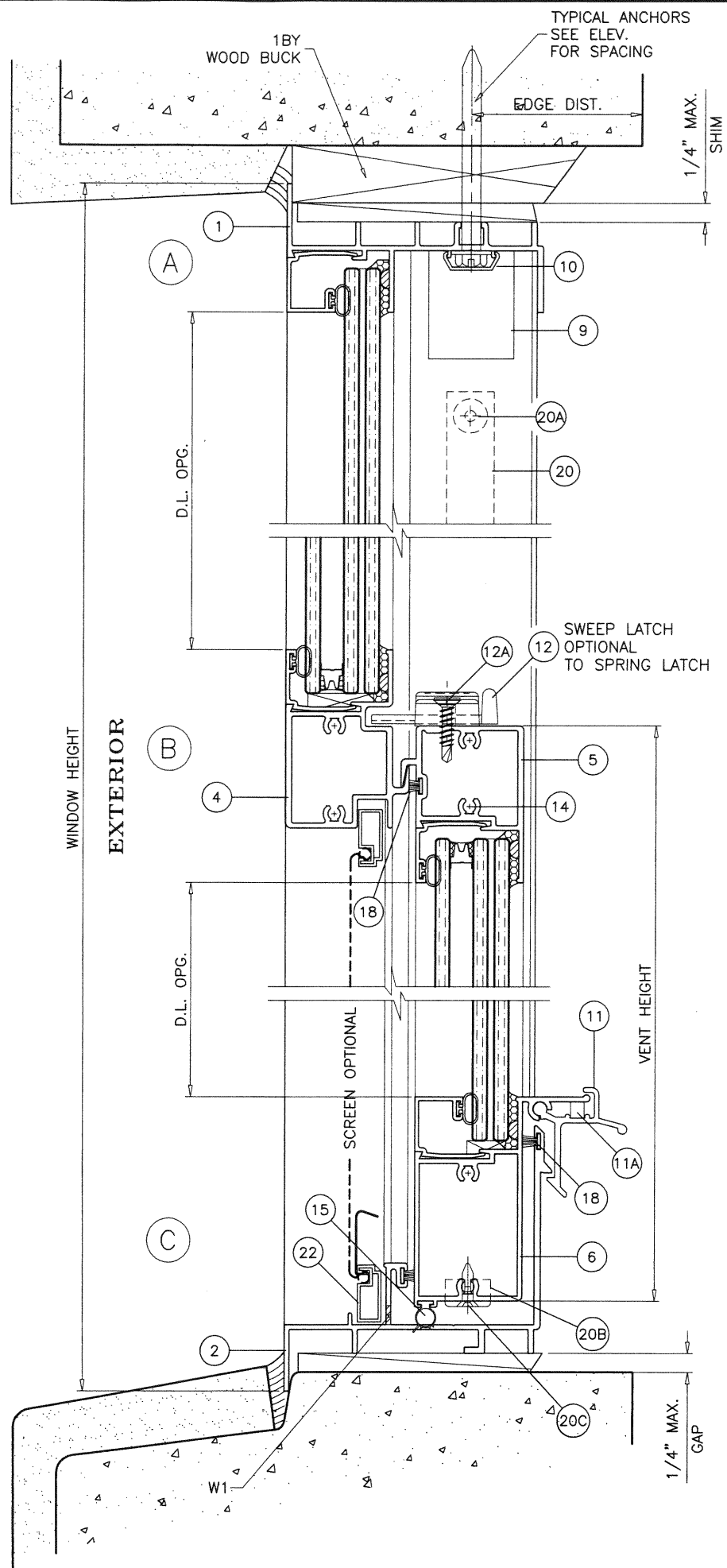
**af c**  
**AL-FAROOQ CORPORATION**  
ENGINEERS & PRODUCT DEVELOPMENT  
9360 SUNSET DRIVE, SUITE 220  
MIAMI, FLORIDA 33173 (C.A.N. 3538)  
TEL. (305) 262-6978 FAX. (305) 264-8100  
COMP-ANL\18-50D-ECO

SERIES-150 ALUM SINGLE HUNG WDW. (S.M.I.)  
**ECO WINDOW SYSTEMS, LLC.**  
8502 N.W. 80th STREET  
MEDLEY, FL. 33166  
TEL. (305) 885-5299 FAX (305) 885-5902

no	date	description
A	06.05.18	REV. PER COMMENTS
B	11.05.20	UPDATED TO 2020 FBC

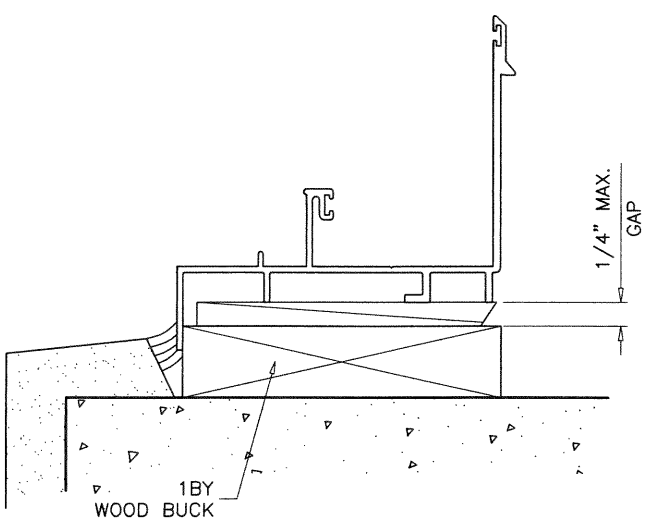
date: 04-23-18  
scale: -  
dr. by: TARIQ  
chk. by:

drawing no.  
**18-50D**  
sheet 2 of 7



**WEEPHOLES:**

W1 = 1/4" X 3/4" WEEPHOLES AT 12-1/2" FROM EACH END



WOOD BUCKS AND METAL STRUCTURE NOT BY 'ECO WDW.' MUST SUSTAIN LOADS IMPOSED BY GLAZING SYSTEM AND TRANSFER THEM TO THE BUILDING STRUCTURE.

**TYPICAL ANCHORS:** SEE ELEV. FOR SPACING

**1/4" DIA. ULTRACON+ BY 'DEWALT'** (Fu=164 KSI, Fy=148 KSI)  
 INTO 2BY WOOD BUCKS OR WOOD STRUCTURES  
 1-1/2" MIN. PENETRATION INTO WOOD (HEAD/JAMBS)  
 THRU 1BY BUCKS INTO CONC. OR BLOCKS  
 1-1/4" MIN. EMBED INTO CONCRETE (HEAD/JAMBS)  
 1-1/4" MIN. EMBED INTO BLOCKS (JAMBS)  
 DIRECTLY INTO CONCRETE OR BLOCKS  
 1-1/4" MIN. EMBED INTO CONCRETE (HEAD/JAMBS)  
 1-1/4" MIN. EMBED INTO BLOCKS (JAMBS)

**#14 SMS OR SELF DRILLING SCREWS** (GRADE 2 CRS)  
 INTO MIAMI-DADE COUNTY APPROVED MULLIONS OR  
 INTO METAL STRUCTURES (HEAD/JAMBS)  
 (3) THREADS MIN. TO EXTEND BEYOND METAL THICKNESS  
 ALUMINUM: 1/8" THK. MIN. (6063-T5 MIN.)  
 STEEL: 1/8" THK. MIN. (Fy = 36 KSI MIN.)  
 (STEEL IN CONTACT WITH ALUMINUM TO BE PLATED OR PAINTED)

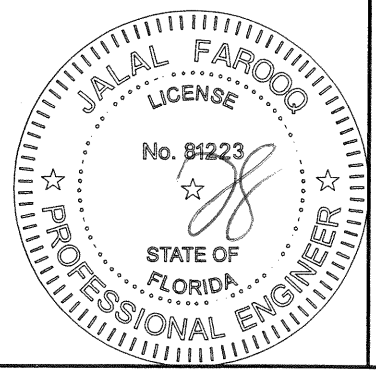
**TYPICAL EDGE DISTANCE**

INTO CONCRETE AND BLOCKS = 2-1/2" MIN.  
 INTO WOOD STRUCTURE = 1" MIN.  
 INTO METAL STRUCTURE = 3/4" MIN.

WOOD AT HEAD, SILL OR JAMBS SG = 0.55 MIN.  
 CONCRETE AT HEAD, SILL OR JAMBS f'c = 3000 PSI MIN.  
 C-90 HOLLOW/FILLED BLOCK AT JAMBS f'm = 2000 PSI MIN.

**PRODUCT REVISED**  
 as complying with the Florida Building Code  
 NOA-No. 20-1119.12  
 Expiration Date 07/05/2023  
 By *[Signature]*  
 Miami-Dade Product Control

NOV 10 2020

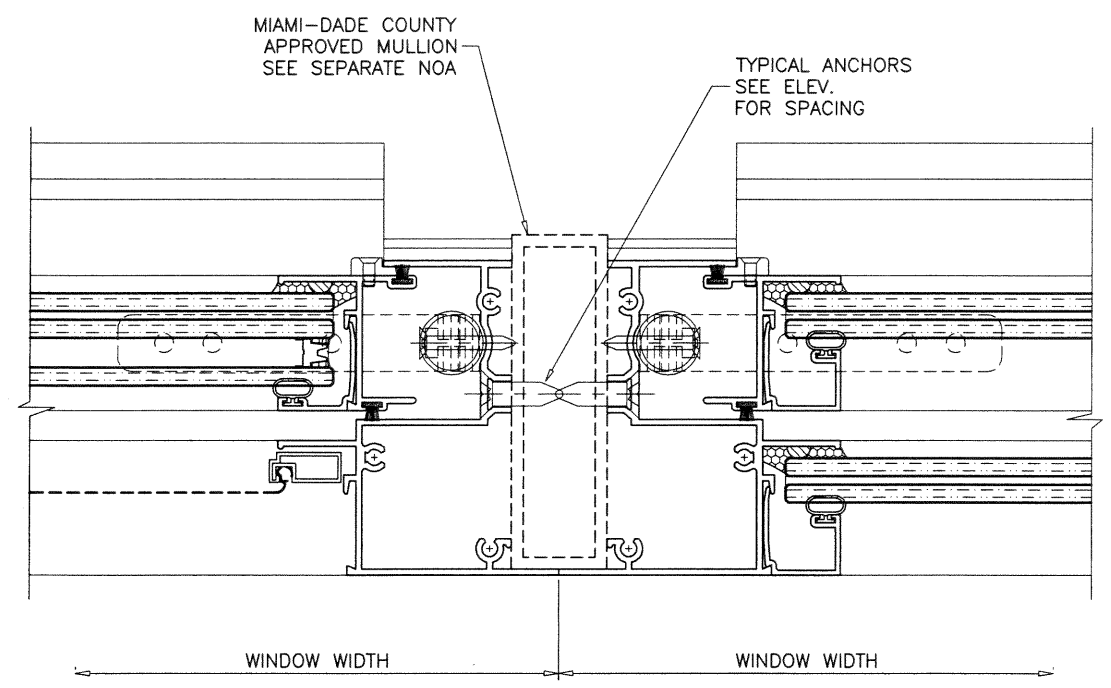
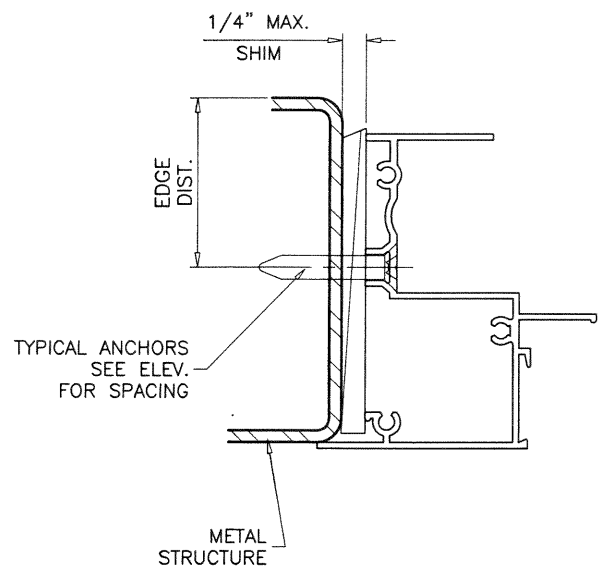
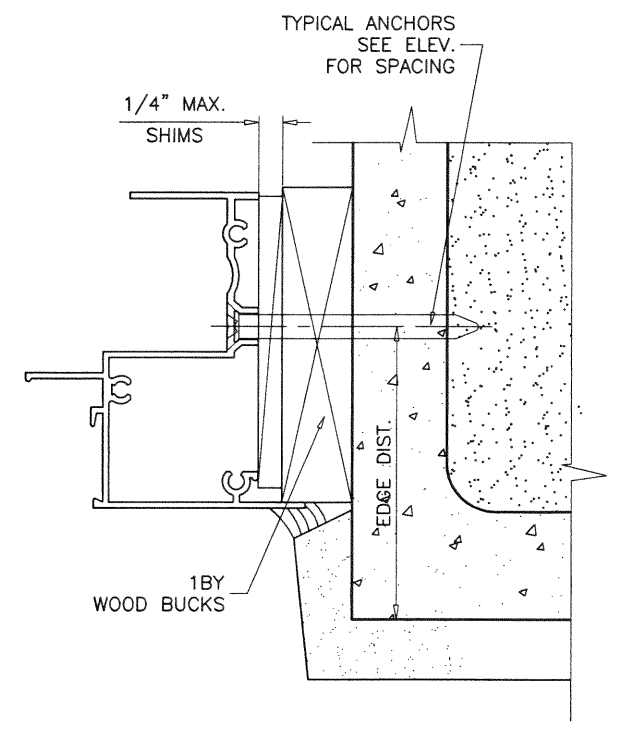
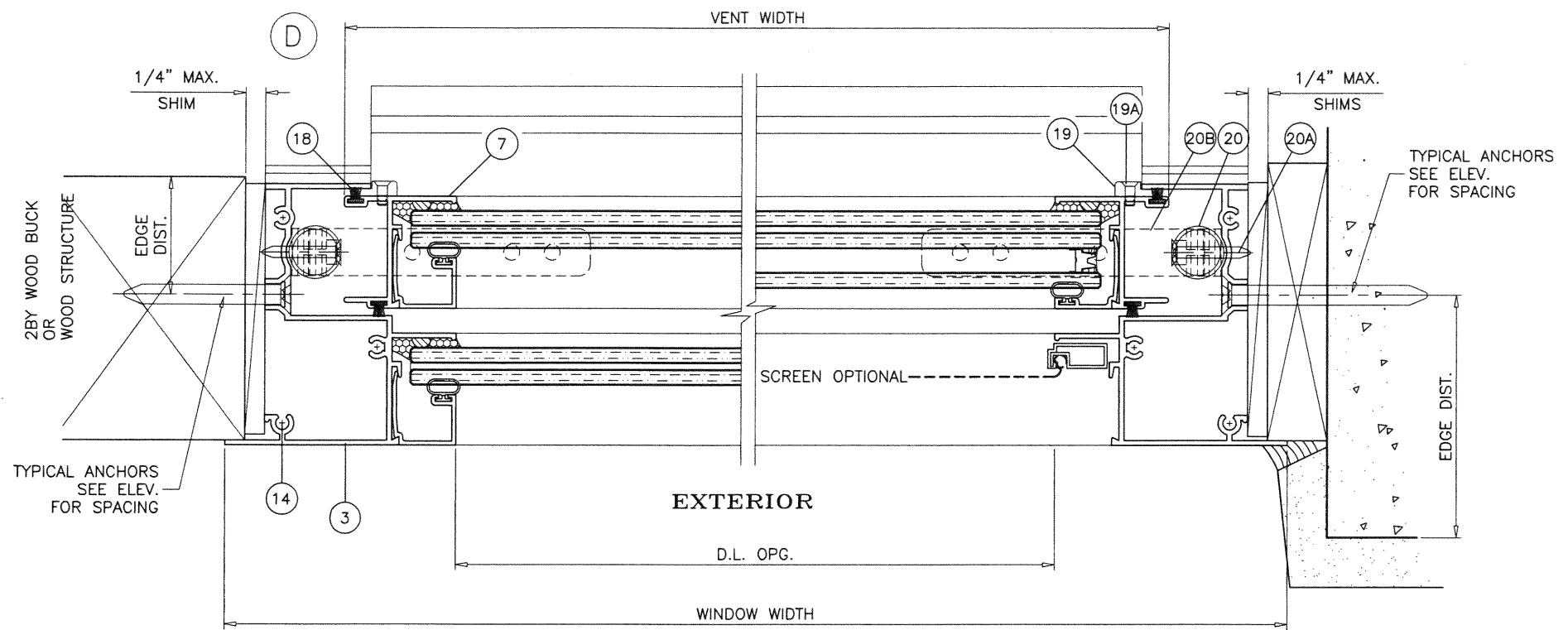


**AL-FAROOQ CORPORATION**  
 ENGINEERS & PRODUCT DEVELOPMENT  
 9360 SUNSET DRIVE, SUITE 220  
 MIAMI, FLORIDA 33173  
 TEL. (305) 264-8100 FAX. (305) 262-6978  
 COMP-ANL\18-50D-ECO

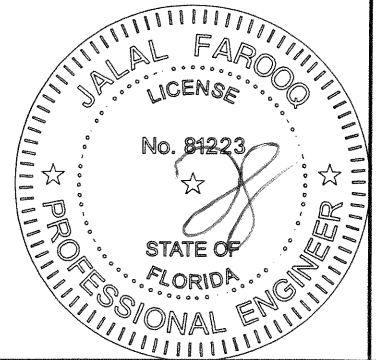
SERIES-150 ALUM SINGLE HUNG WDW. (S.M.I.)  
**ECO WINDOW SYSTEMS, LLC.**  
 8502 N.W. 80th STREET  
 MEDLEY, FL. 33166  
 TEL. (305) 885-5299 FAX (305) 885-5902

no.	date	description
A	06.05.18	NO CHANGE THIS SHEET
B	11.05.20	UPDATED TO 2020 FBC


date: 04-23-18  
 scale: 1/2" = 1"  
 dr. by: TARIQ  
 chk. by:  
 drawing no. 18-50D  
 sheet 3 of 7



**PRODUCT REVISED**  
 as complying with the Florida  
 Building Code  
 NOA-No. 20-1119.12  
 Expiration Date 07/05/2023  
 By *[Signature]*  
 Miami-Dade Product Control



NOV 10 2020



**AL-FAROOQ CORPORATION**  
 ENGINEERS & PRODUCT DEVELOPMENT  
 9360 SUNSET DRIVE, SUITE 220  
 MIAMI, FLORIDA 33173 (C.A.N. 3538)  
 TEL. (305) 264-8100 FAX. (305) 262-6978  
 COMP-ANL 18-500-ECO

---

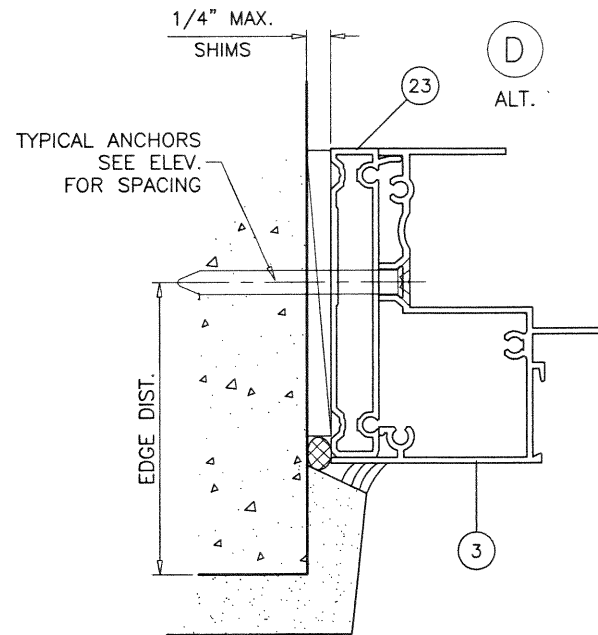
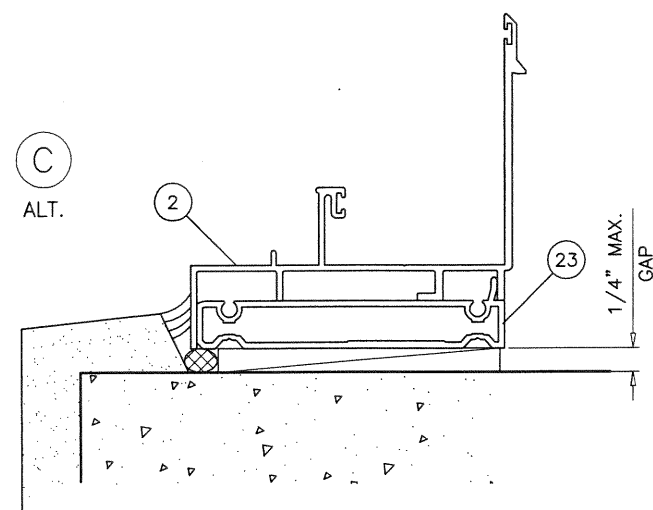
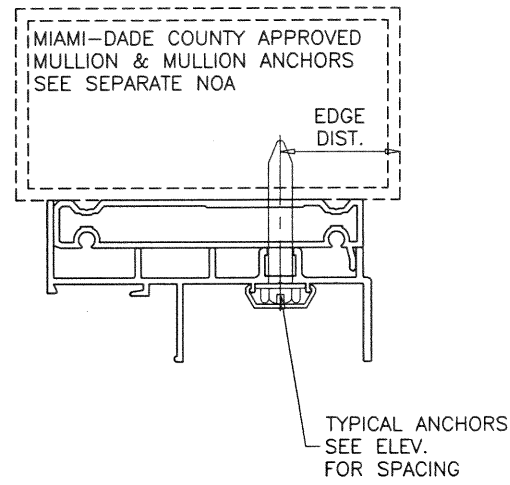
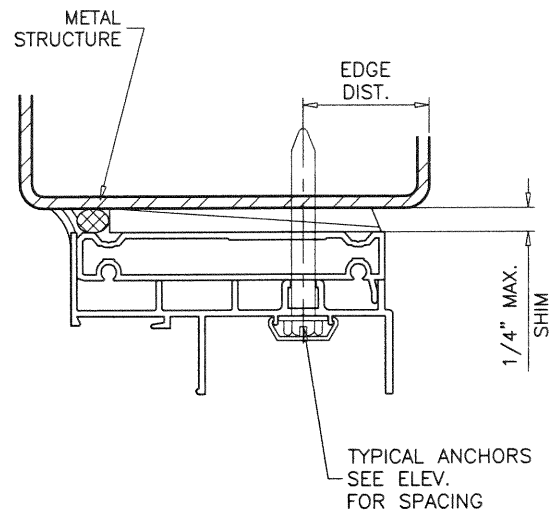
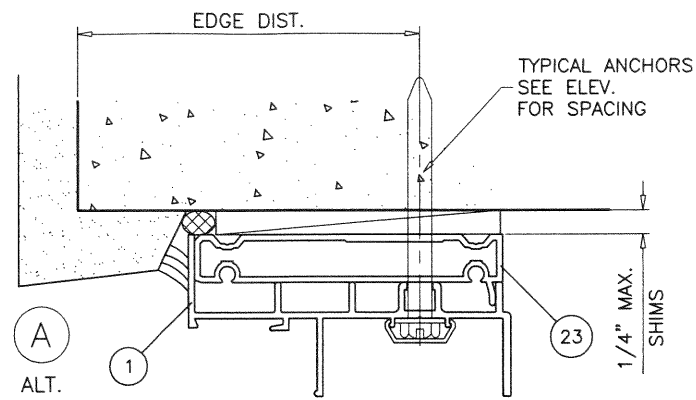
SERIES-150 ALUM SINGLE HUNG WDW. (S.M.I.)  
**ECO WINDOW SYSTEMS, LLC.**  
 8502 N.W. 80th STREET  
 MEDLEY, FL. 33166  
 TEL. (305) 885-5299 FAX (305) 885-5902

no.	date	description
A	06.05.18	NO CHANGE THIS SHEET
B	11.05.20	UPDATED TO 2020 FBC

---

date: 04-23-18  
 scale: 1/2" = 1"  
 dr. by: TARIQ  
 chk. by:

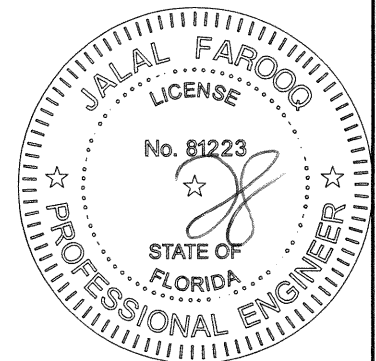
drawing no.  
**18-50D**  
 sheet 4 of 7



**INSTALLATION DETAILS WITH FLUSH FRAME ADAPTER**  
SEE SHEETS 4 & 5 FOR WINDOW DETAILS

NOV 10 2020

**PRODUCT REVISED**  
as complying with the Florida Building Code  
NOA-No. 20-1119.12  
Expiration Date 07/05/2023  
By *[Signature]*  
Miami-Dade Product Control



**af c**  
**AL-FAROOQ CORPORATION**  
ENGINEERS & PRODUCT DEVELOPMENT  
9360 SUNSET DRIVE, SUITE 220  
MIAMI, FLORIDA 33173 (C.A.N. 3538)  
TEL. (305) 264-8100 FAX. (305) 262-6978  
COMP-ANL 18-50D-ECO

SERIES-150 ALUM SINGLE HUNG WDW. (S.M.I.)  
**ECO WINDOW SYSTEMS, LLC.**  
8502 N.W. 80th STREET  
MEDLEY, FL. 33166  
TEL. (305) 885-5299 FAX (305) 885-5902

no	date	by	description
A	06.05.18		NO CHANGE THIS SHEET
B	11.05.20		UPDATED TO 2020 FBC

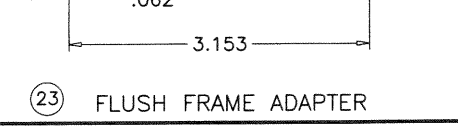
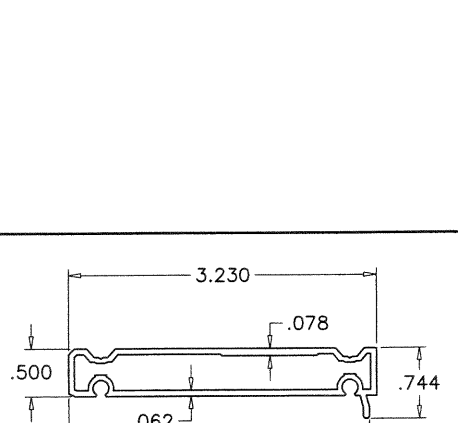
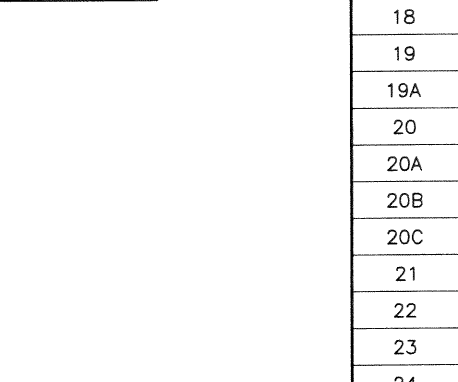
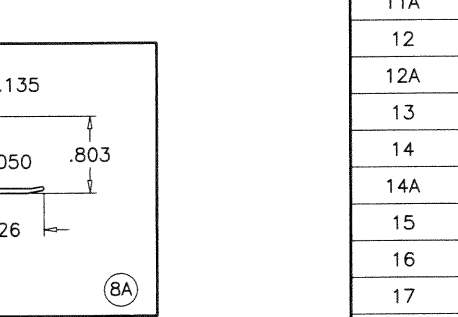
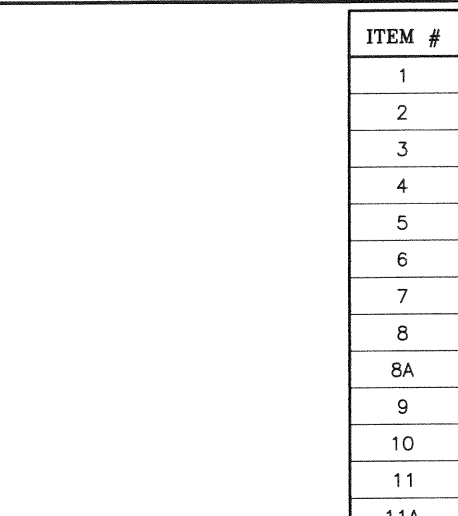
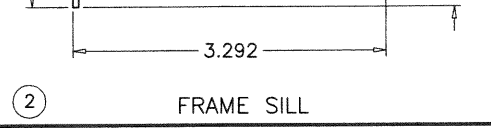
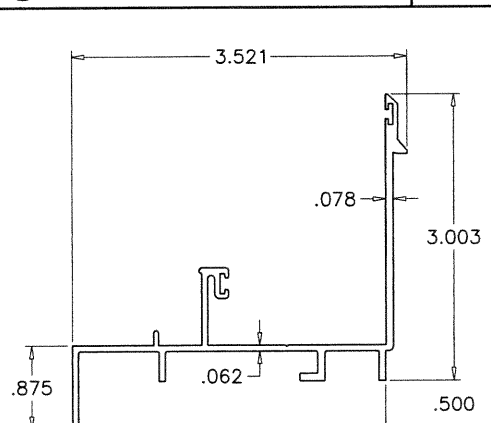
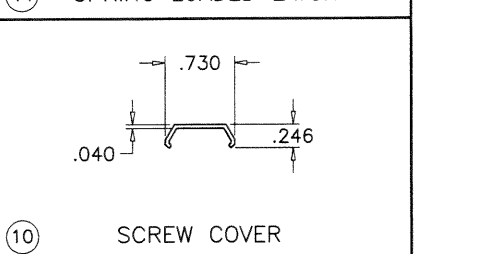
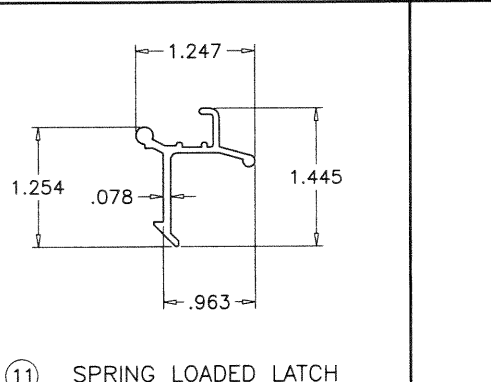
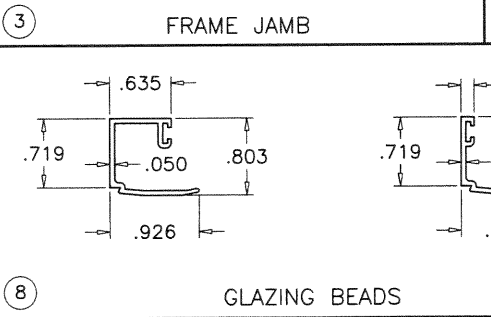
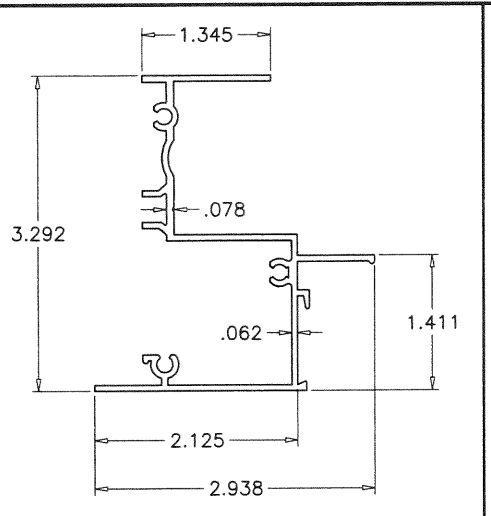
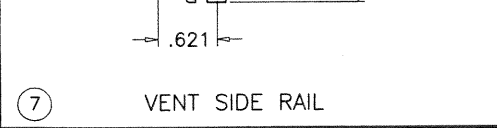
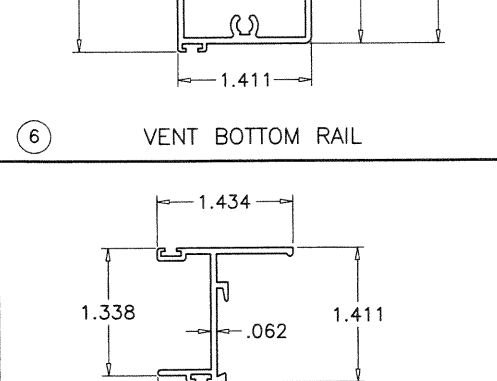
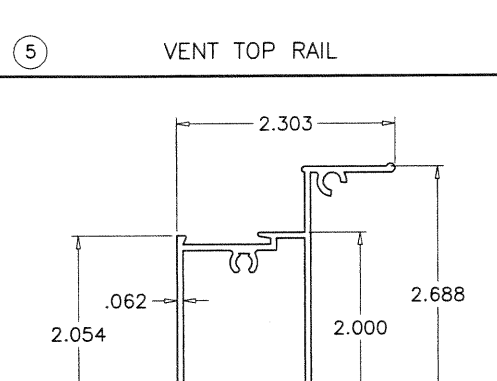
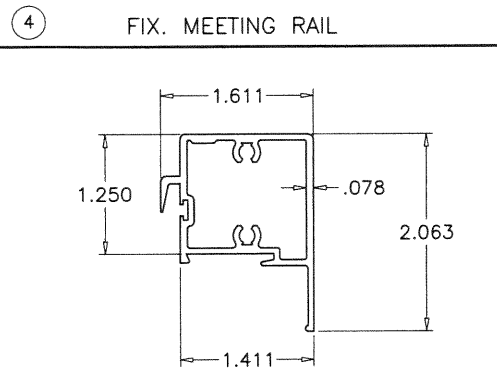
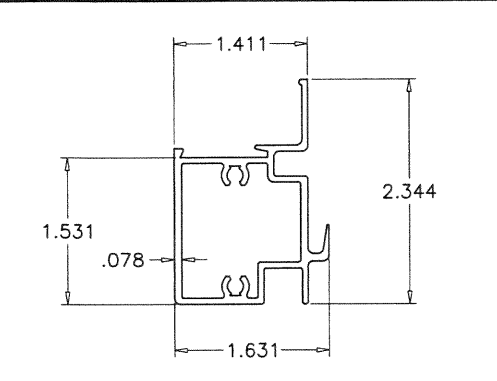
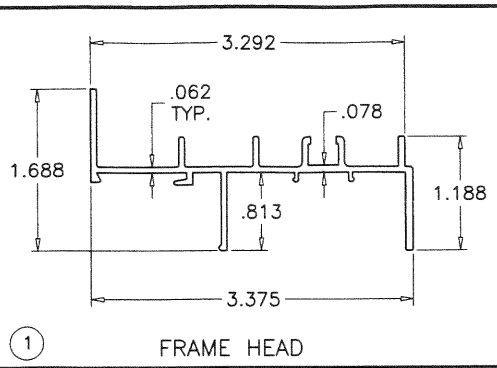
  

date:	04-23-18
scale:	1/2" = 1"
dr. by:	TARIQ
chk. by:	

drawing no.	18-50D
sheet	5 of 7





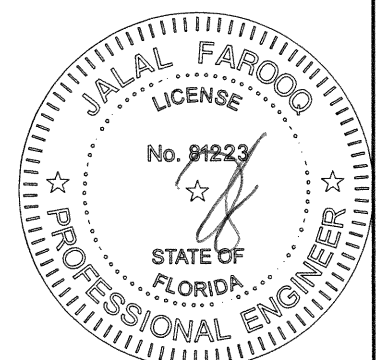
ITEM #	PART #	REQD.	DESCRIPTION	MATERIAL	MANF./SUPPLIER/REMARKS
1	E151	1	FRAME HEAD	6063-T6	-
2	E152	1	FRAME SILL	6063-T6	-
3	E153	2	FRAME JAMB	6063-T6	-
4	E154	1	FIXED MTG. RAIL	6063-T6	-
5	E155	1	VENT TOP RAIL	6063-T6	-
6	E156	1	VENT BOTTOM RAIL	6063-T6	-
7	E157	2	VENT SIDE RAIL	6063-T6	-
8	E159	AS RQD.	GLAZING BEAD (LAM. GLASS)	6063-T6	-
8A	E158	AS RQD.	GLAZING BEAD (INSUL. LAM. GLASS)	6063-T6	-
9	FY116	2/VENT	SASH STOP	6063-T5	-
10	E162	AS REQD.	SCREW COVER	6063-T6	-
11	FY113	2/VENT	SPRING LOADED LATCH, AT 6" FROM ENDS	6063-T6	-
11A	-	1/ LATCH	LATCH SPRING	ST. STEEL	-
12	SL203P	2/VENT	SWEEP LATCH, AT 12" FROM ENDS	ZAMAK	SULLIVAN & ASSOC.
12A	#8 X 5/8"	2/ LATCH	LATCH INST. SCREWS	ST. STEEL	FH SMS
13	-	AS REQD.	SETTING BLOCK	EPDM	DUROMETER 80±5 SHORE A
14	#10 X 1"	AS REQD.	FRAME & VENT ASSEMBLY SCREWS	CRS	PH SMS
14A	#10 X 1-1/4"	2/ CORNER	FLUSH FRAME ADAPTER FASTENERS	CRS	FH SMS
15	E207	AS REQD.	BOTTOM RAIL SEAL - SERIES 101	NEOPRENE	ULTRAFAB
16	TR.3020	AS REQD.	GLAZING BEAD BULB	SANTOPRENE	TECHNO RUBBER
17	E163	2/ VENT	SASH TOP GUIDE	DERLIN	M&M PLASTICS
18	W23181	AS REQD.	FIN SEAL W'STRIPPING	-	ULTRAFAB
19	E164	4/ VENT	SASH SIDE GUIDE	DERLIN	M&M PLASTICS
19A	#6 X 3/8"	1/ GUIDE	SASH GUIDE INST. SCREW	CRS	OH SMS TYPE B
20	F210	2/VENT	SASH BALANCE	-	SUPERBOOST BY BSI
20A	#8 X 1"	1/ BALANCE	BALANCE INST. SCREW	ST STEEL	FH SMS
20B	21B02 UEK	1/ BALANCE	BALANCE BRACKET	STEEL	CALDWELL
20C	#8 X 1/2"	2/ BRACKET	BRACKET FASTENER	ST. STEEL	PH SMS
21	-	AS REQD.	GLASS SPACER	SILICONE	FRANK LOWE
22	-	1	5/16" BOX SCREEN	-	OPTIONAL
23	E161	-	FLUSH FRAME ADAPTER	6063-T6	OPTIONAL
24	-	-	INSUL. GLASS EDGE SPACER	ST. STEEL	CARDINAL XL

**PRODUCT REVISED**  
as complying with the Florida  
Building Code  
NOA-No. 20-1119.12

Expiration Date 07/05/2023

By *[Signature]*  
Miami-Dade Product Control

NOV 10 2020

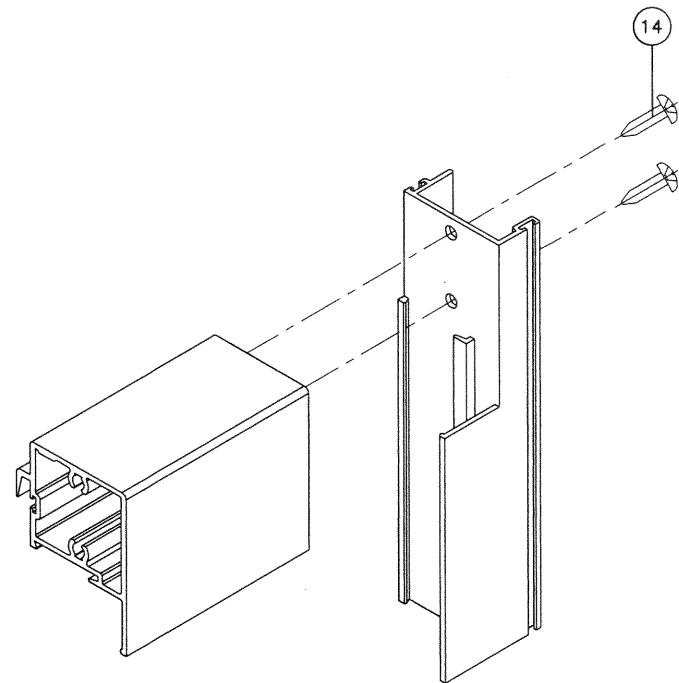


**af c**  
**AL-FAROOQ CORPORATION**  
ENGINEERS & PRODUCT DEVELOPMENT  
9360 SUNSET DRIVE, SUITE 220  
MIAMI, FLORIDA 33173 (C.A.N. 3538)  
TEL. (305) 264-8100 FAX. (305) 262-6978  
COMP-ANL\18-50D-ECO

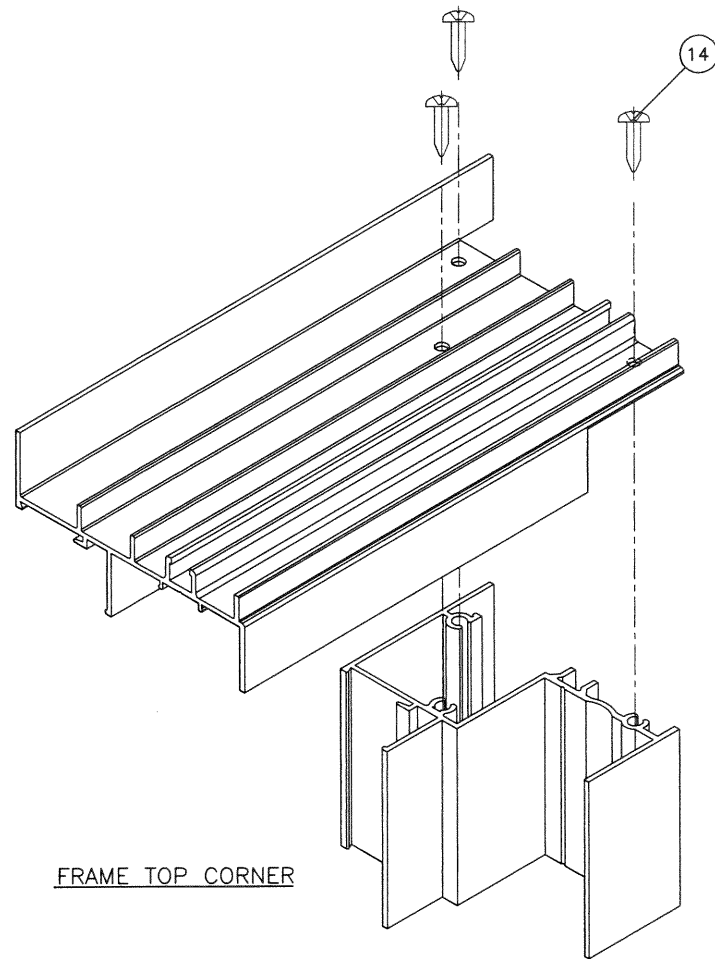
SERIES-150 ALUM SINGLE HUNG WDW. (S.M.I.)  
**ECO WINDOW SYSTEMS, LLC.**  
8502 N.W. 80th STREET  
MEDLEY, FL. 33166  
TEL. (305) 885-5299 FAX (305) 885-5902

revisions:	no	date	by	description
	A	06.05.18		NO CHANGE THIS SHEET
	B	11.05.20		UPDATED TO 2020 FBC

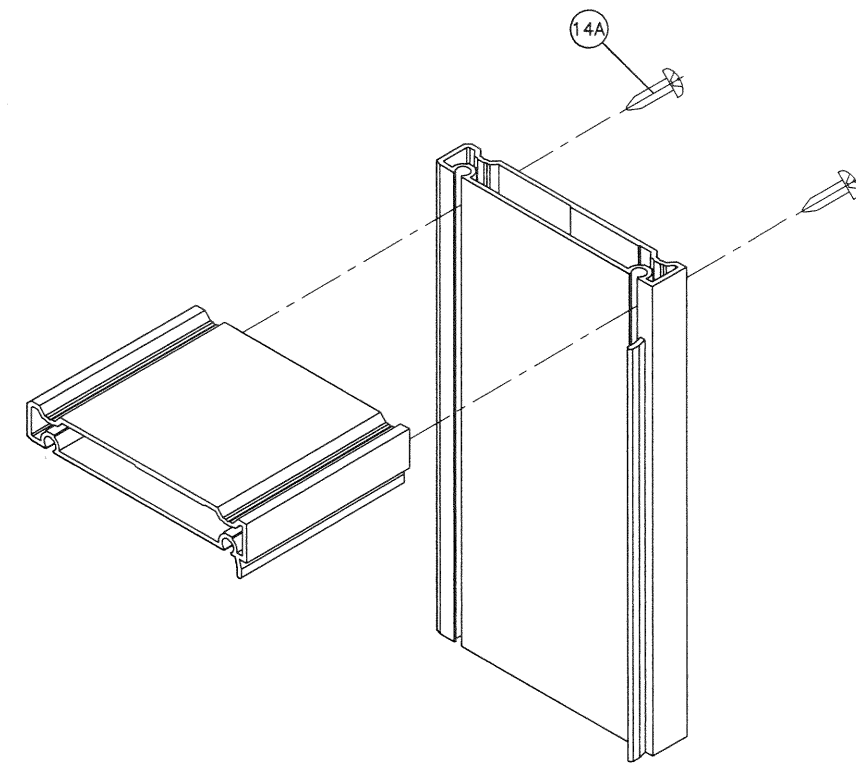
date: 04-23-18  
scale: 1/2" = 1"  
dr. by: TARIQ  
chk. by:  
drawing no.  
**18-50D**  
sheet 6 of 7



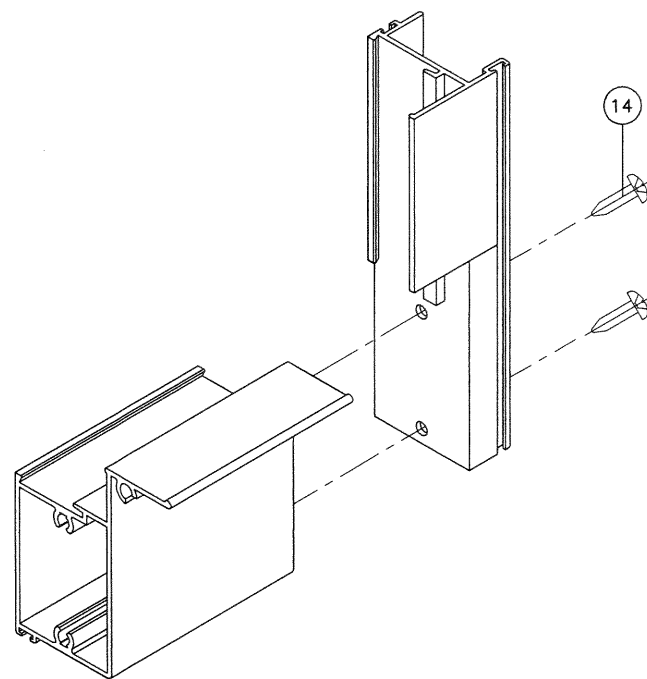
VENT TOP CORNER



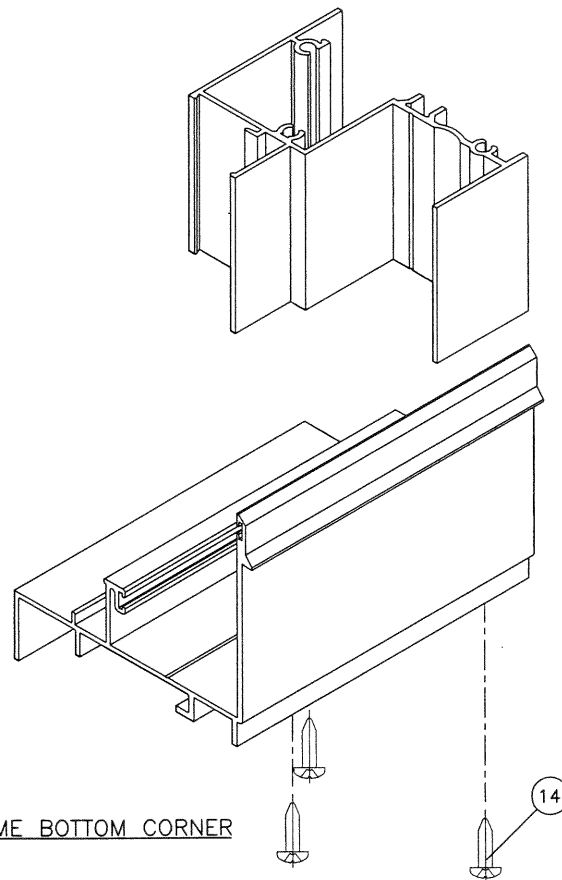
FRAME TOP CORNER



FLUSH FRAME ADAPTER CORNER



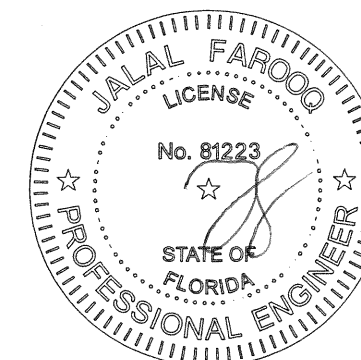
VENT BOTTOM CORNER



FRAME BOTTOM CORNER

**PRODUCT REVISED**  
 as complying with the Florida  
 Building Code  
 NOA-No. 20-1119.12  
 Expiration Date 07/05/2023  
 By *[Signature]*  
 Miami-Dade Product Control

NOV 10 2020



**afc**  
**AL-FAROOQ CORPORATION**  
 ENGINEERS & PRODUCT DEVELOPMENT  
 9360 SUNSET DRIVE, SUITE 220  
 MIAMI, FLORIDA 33173 (C.A.N. 3538)  
 TEL. (305) 264-8100 FAX. (305) 262-6978  
 COMP-ANL\ 18-50D-ECO

SERIES-150 ALUM SINGLE HUNG WDW. (S.M.I.)  
**ECO WINDOW SYSTEMS, LLC.**  
 8502 N.W. 80th STREET  
 MEDLEY, FL. 33166  
 TEL. (305) 885-5299 FAX (305) 885-5902

date:	04-23-18	revisions:	no	date	by	description
scale:	1/2" = 1"	A	06.05.18			NO CHANGE THIS SHEET
dr. by:	TARIQ	B	11.05.20			UPDATED TO 2020 FBC
chk. by:						
drawing no.	18-50D					
sheet	7 of 7					