



MIAMI-DADE COUNTY
PRODUCT CONTROL SECTION
 11805 SW 26 Street, Room 208
 Miami, FL 33175
 T (786) 315-2590 F (786) 315-2599
www.miamidade.gov/economy

DEPARTMENT OF REGULATORY AND ECONOMIC RESOURCES (RER)
 BOARD AND CODE ADMINISTRATION DIVISION
NOTICE OF ACCEPTANCE (NOA)

Eurotech Industries, Inc.
4201 NE 12th Terrace
Ft. Lauderdale, FL 33334

SCOPE:

This NOA is being issued under the applicable rules and regulations governing the use of construction materials. The documentation submitted has been reviewed and accepted by Miami-Dade County RER-Product Control Section to be used in Miami-Dade County and other areas where allowed by the Authority Having Jurisdiction (AHJ).

This NOA shall not be valid after the expiration date stated below. The Miami-Dade County Product Control Section (In Miami-Dade County) and/ or the AHJ (in areas other than Miami-Dade County) reserve the right to have this product or material tested for quality assurance purposes. If this product or material fails to perform in the accepted manner, the manufacturer will incur the expense of such testing and the AHJ may immediately revoke, modify, or suspend the use of such product or material within their jurisdiction. RER reserves the right to revoke this acceptance, if it is determined by Miami-Dade County Product Control Section that this product or material fails to meet the requirements of the applicable building code.

This product is approved as described herein, and has been designed to comply with the Florida Building Code, including the High Velocity Hurricane Zone.

DESCRIPTION: Series "PW-800-32" Aluminum Fixed Window - L.M.I.

APPROVAL DOCUMENT: Drawing No. **W08-01**, titled "Series PW-800 Alum. Fixed Window (L.M.I.)", sheets 1 through 5 of 5, dated 01/03/08, with revision **F** dated 11/05/20, prepared by Al-Farooq Corporation, signed and sealed by Jalal Farooq, P.E., bearing the Miami-Dade County Product Control Revision stamp with the Notice of Acceptance number and expiration date by the Miami-Dade County Product Control Section.

MISSILE IMPACT RATING: Large and Small Missile Impact Resistant

LABELING: Each unit shall bear a permanent label with the manufacturer's name or logo, city, state, model/ series, and following statement: "Miami-Dade County Product Control Approved", unless otherwise noted herein.

RENEWAL of this NOA shall be considered after a renewal application has been filed and there has been no change in the applicable building code negatively affecting the performance of this product.

TERMINATION of this NOA will occur after the expiration date or if there has been a revision or change in the materials, use, and/ or manufacture of the product or process. Misuse of this NOA as an endorsement of any product, for sales, advertising or any other purposes shall automatically terminate this NOA. Failure to comply with any section of this NOA shall be cause for termination and removal of NOA.

ADVERTISEMENT: The NOA number preceded by the words Miami-Dade County, Florida, and followed by the expiration date may be displayed in advertising literature. If any portion of the NOA is displayed, then it shall be done in its entirety.

INSPECTION: A copy of this entire NOA shall be provided to the user by the manufacturer or its distributors and shall be available for inspection at the job site at the request of the Building Official.

This NOA **revises NOA No. 18-0116.01** and consists of this page 1, evidence pages E-1 and E-2, as well as approval document mentioned above.

The submitted documentation was reviewed by **Sifang Zhao, P.E.**



S.Z.
 02/25/2021

NOA No. 20-1203.08
Expiration Date: March 27, 2023
Approval Date: February 25, 2021
 Page 1

Eurotech Industries, Inc.

NOTICE OF ACCEPTANCE: EVIDENCE SUBMITTED

1. EVIDENCE SUBMITTED UNDER PREVIOUS NOAs

A. DRAWINGS

1. Manufacturer's die drawings and sections. *(Submitted under NOA No. 09-0929.13)*
2. Drawing No **W08-01**, titled "Series PW-800-32 Alum Fixed Window (L.M.I.)", sheets 1 through 5 of 05, dated 01/03/08, with revision **C** dated 02/27/15, prepared by Al-Farooq Corporation, signed and sealed by Javad Ahmad, P.E.

B. TESTS

1. Test reports on: 1) Large Missile Impact Test per FBC, TAS 201-94
2) Cyclic Wind Pressure Loading per FBC, TAS 203-94
along with marked-up drawings and installation diagram of aluminum fixed window, prepared by Hurricane Engineering & Testing, Inc., Test Report No. **HETI-09-2632**, dated 09/15/09, signed and sealed by Candido F. Font P.E.
(Submitted under NOA No. 09-0929.13)
2. Test reports on: 1) Large Missile Impact Test per FBC, TAS 201-94
2) Cyclic Wind Pressure Loading per FBC, TAS 203-94
along with marked-up drawings and installation diagram of aluminum fixed window, prepared by Hurricane Engineering & Testing, Inc., Test Reports No.'s **HETI-07-4156, HETI-07-4157, HETI-07-4165** and **HETI-07-4166**, all dated 09/21/07, signed and sealed by Candido F. Font P.E. *(Submitted under NOA No. 08-0131.04)*
3. Test reports on: 1) Air Infiltration Test, per FBC, TAS 202-94
2) Uniform Static Air Pressure Test, Loading per FBC, TAS 202-94
3) Water Resistance Test, per FBC, TAS 202-94
along with marked-up drawings and installation diagram of aluminum fixed window, prepared by Hurricane Engineering & Testing, Inc., Test Reports No.'s **HETI-07-4158, HETI-07-4160** and **HETI-07-4164**, dated 09/21/07, signed and sealed by Candido F. Font, P.E. *(Submitted under NOA No. 08-0131.04)*

C. CALCULATIONS


1. Anchor verification calculations and structural analysis, complying with **FBC 5th Edition (2014)**, dated 02/26/15, prepared by Al-Farooq Corporation, signed and sealed by Javad Ahmad, P.E. *(Submitted under NOA No. 13-0212.05)*
2. Glazing complies with **ASTM E1300-09**

CI. QUALITY ASSURANCE

1. Miami-Dade Department of Regulatory and Economic Resources (RER).

CII. MATERIAL CERTIFICATIONS

1. NOA No. **17-0808.02** issued to **Kuraray America, Inc.** for their "**SentryGlas® (Clear and White) Glass Interlayers**" dated 12/28/17, expiring on 07/04/23.
2. NOA No. **17-0712.03** issued to **Eastman Chemical Company (MA)** for their "**Saflex CP - Saflex and Saflex HP Composite Glass Interlayers with PET Core**" expiring on 12/11/18.



Sifang Zhao, P.E.
Product Control Examiner
NOA No. 20-1203.08
Expiration Date: March 27, 2023
Approval Date: February 25, 2021

Eurotech Industries, Inc.

NOTICE OF ACCEPTANCE: EVIDENCE SUBMITTED

F. STATEMENTS

1. Statement letter of conformance, complying with **FBC 6th Edition (2017)**, and of no financial interest, dated October 10, 2017, issued by Al-Farooq Corporation, signed and sealed by Javad Ahmad, P.E.

G. OTHERS

1. Notice of Acceptance No. **15-0416.06**, issued to Eurotech Industries, Inc. for their Series "PW-800-32" Aluminum Fixed Window - L.M.I., approved on 08/06/15 and expiring on 03/27/18.

2. NEW EVIDENCE SUBMITTED

A. DRAWINGS

1. Drawing No **W08-01**, titled "Series PW-800-32 Alum Fixed Window (L.M.I.)", sheets 1 through 5 of 05, dated 01/03/08, with revision **F** dated 11/05/20, prepared by Al-Farooq Corporation, signed and sealed by Jalal Farooq, P.E.

B. TESTS

1. None.

C. CALCULATIONS

1. Anchor verification calculations, complying with **FBC 6th Edition (2017)**, dated 03/03/2018, prepared by Al-Farooq Corporation, signed and sealed by Javad Ahmad, P.E.

D. QUALITY ASSURANCE

1. Miami-Dade Department of Regulatory and Economic Resources (RER).

E. MATERIAL CERTIFICATIONS

1. NOA No. **20-0915.19** issued to **Kuraray America, Inc.** for their "**SentryGlas® (Clear and White) Glass Interlayers**", expiring on 07/04/23.
2. NOA No. **20-0622.03** issued to **Eastman Chemical Company (MA)** for their "**Saflex CP - Saflex and Saflex HP Composite Glass Interlayers with PET Core**" dated, expiring on 12/11/23.

F. STATEMENTS

1. Statement letter of conformance, complying with **FBC 6th Edition (2017)**, with **FBC 7th Edition (2020)**, and of no financial interest, dated 10/26/2020, prepared by Al-Farooq Corporation, signed and sealed by Jalal Farooq, P.E.

G. OTHERS

1. Notice of Acceptance No. **18-0116.01**, issued to Eurotech Industries, Inc. for their Series "PW-800-32" Aluminum Fixed Window - L.M.I., approved on 03/01/18 and expiring on 03/27/23.



Sifang Zhao, P.E.
Product Control Examiner
NOA No. 20-1203.08
Expiration Date: March 27, 2023
Approval Date: February 25, 2021

SERIES PW-800-32 ALUMINUM FIXED WINDOW

DESIGN LOAD RATINGS FOR THESE WINDOWS TO BE AS PER CHARTS SHOWN ON SHEET 2.

APPROVAL APPLIES TO SINGLE UNITS OR SIDE BY SIDE COMBINATIONS OF FIX./FIX. OR FIX. WDW. WITH OTHER MIAMI-DADE COUNTY APPROVED WINDOWS USING MIAMI-DADE COUNTY APPROVED MULLIONS IN BETWEEN.
LOWER DESIGN PRESSURE FROM WINDOWS OR MULLION APPROVAL WILL APPLY TO ENTIRE SYSTEM.

THIS PRODUCT HAS BEEN DESIGNED AND TESTED TO COMPLY WITH THE REQUIREMENTS OF THE 2017 (6TH EDITION)/2020 (7TH EDITION) FLORIDA BUILDING CODE INCLUDING HIGH VELOCITY HURRICANE ZONE (HVHZ).

1BY OR 2BY WOOD BUCKS & BUCK FASTENERS BY OTHERS, MUST BE DESIGNED AND INSTALLED ADEQUATELY TO TRANSFER APPLIED PRODUCT LOADS TO THE BUILDING STRUCTURE.

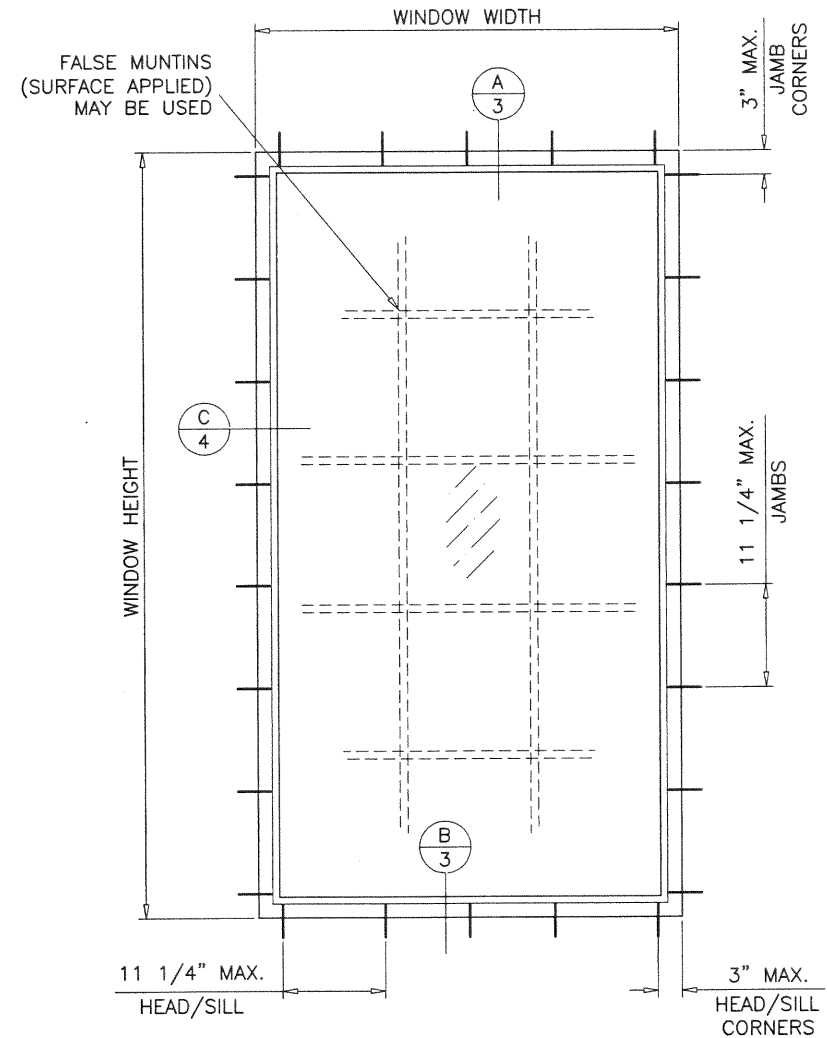
ANCHORS SHALL BE CORROSION RESISTANT, SPACED AS SHOWN ON DETAILS AND INSTALLED PER MANUF'S INSTRUCTIONS. SPECIFIED EMBEDMENT TO BASE MATERIAL SHALL BE BEYOND WALL DRESSING OR STUCCO.

A LOAD DURATION INCREASE IS USED IN DESIGN OF ANCHORS INTO WOOD ONLY.
ALL SHIMS TO BE HIGH IMPACT, NON-METALLIC AND NON-COMPRESSIBLE.

MATERIALS INCLUDING BUT NOT LIMITED TO STEEL/METAL SCREWS, THAT COME INTO CONTACT WITH OTHER DISSIMILAR MATERIALS SHALL MEET THE REQUIREMENTS OF THE 2017/2020 FLORIDA BLDG. CODE & ADOPTED STANDARDS.

THIS PRODUCT APPROVAL IS GENERIC AND DOES NOT PROVIDE INFORMATION FOR A SITE SPECIFIC PROJECT, i.e. LIFE SAFETY OF THIS PRODUCT, ADEQUACY OF STRUCTURE RECEIVING THIS PRODUCT AND SEALING AROUND OPENING FOR WATER INFILTRATION RESISTANCE ETC.
CONDITIONS NOT SHOWN IN THIS DRAWING ARE TO BE ANALYZED SEPARATELY, AND TO BE REVIEWED BY BUILDING OFFICIAL.

DESIGN LOADS SHOWN ARE BASED ON 'ALLOWABLE STRESS DESIGN (ASD)'.
THESE WINDOWS ARE RATED FOR LARGE & SMALL MISSILE IMPACT. SHUTTERS ARE NOT REQUIRED.



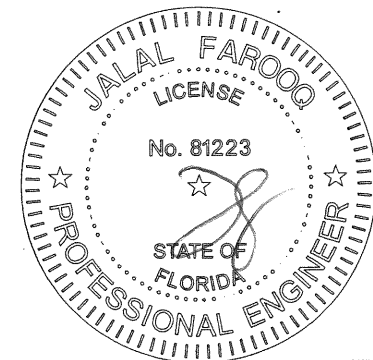
TYPICAL ELEVATION

PRODUCT REVISED
as complying with the Florida Building Code
NOA-No. 20-1203.08

Expiration Date 03/27/2023

By *[Signature]*
Miami-Dade Product Control

NOV 24 2023



SERIES PW-800-32 ALUM FIXED WINDOW (L.M.I.)

Eurotech Industries Inc.

4201 N.E. 12th Terrace
Oakland Park, Florida 33334
Tel. (954) 630-9967 Fax. (954) 630-0217

no	date	by	description
C	01.30.12		UPDATED TO 2010 FBC
D	02.27.15		UPDATED TO 2014 FBC
E	12.11.17		UPDATED TO 2017 FBC
F	11.05.20		UPDATED TO 2020 FBC

date: 01-03-08
scale: 1/2"=1'-0"
dr. by: TARIQ
chk. by:

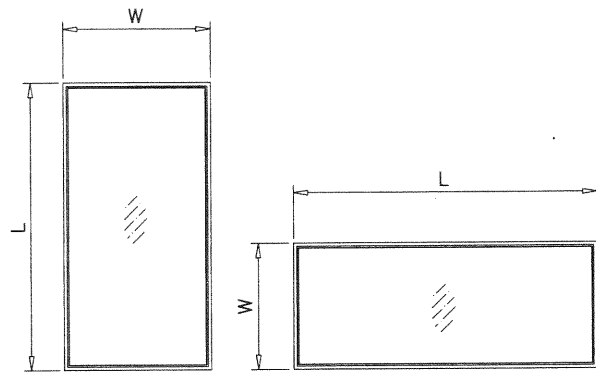
drawing no.
W08-01

sheet 1 of 5

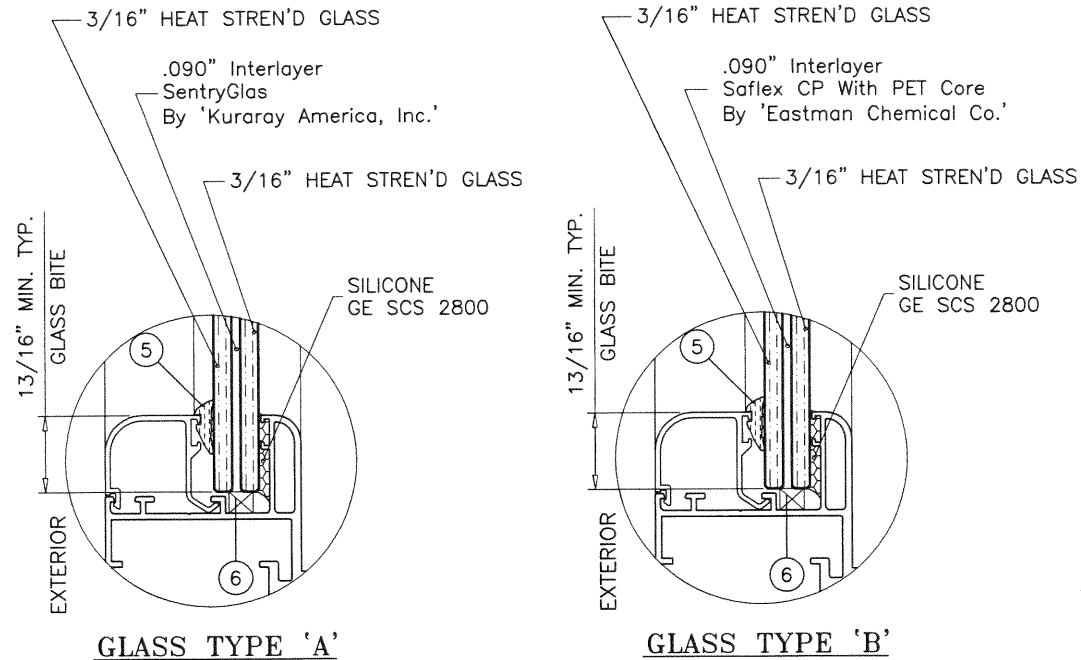
af c
AL-FAROOQ CORPORATION
ENGINEERS & PRODUCT DEVELOPMENT
9360 SUNSET DRIVE, SUITE 220
MIAMI, FLORIDA 33173 (C.A.N. 3538)
TEL. (305) 264-8100 FAX. (305) 262-6978
COMP-ANL\W08-01EWD

DESIGN LOAD CAPACITY - PSF					
WINDOW DIMS.		GLASS TYPE 'A'		GLASS TYPE 'B'	
WIDTH	LENGTH	EXT.(+)	INT.(-)	EXT.(+)	INT.(-)
26-1/2"	26"	110.0	110.0	62.0	62.0
32"		110.0	110.0	62.0	62.0
37"		110.0	110.0	62.0	62.0
42"		110.0	110.0	62.0	62.0
48"		110.0	110.0	62.0	62.0
53-1/8"		110.0	110.0	62.0	62.0
26-1/2"	38-3/8"	110.0	110.0	62.0	62.0
32"		110.0	110.0	62.0	62.0
37"		110.0	110.0	62.0	62.0
42"		110.0	110.0	62.0	62.0
48"		110.0	110.0	62.0	62.0
53-1/8"		110.0	110.0	62.0	62.0
26-1/2"	50-5/8"	110.0	110.0	62.0	62.0
32"		110.0	110.0	62.0	62.0
37"		110.0	110.0	62.0	62.0
42"		110.0	110.0	62.0	62.0
48"		110.0	110.0	62.0	62.0
53-1/8"		104.8	104.8	58.8	58.8
26-1/2"	63"	110.0	110.0	62.0	62.0
32"		110.0	110.0	62.0	62.0
37"		110.0	110.0	62.0	62.0
42"		110.0	110.0	62.0	62.0
48"		110.0	110.0	62.0	62.0
53-1/8"		99.4	99.4	56.0	56.0
26-1/2"	74-1/4"	110.0	110.0	62.0	62.0
32"		110.0	110.0	62.0	62.0
37"		110.0	110.0	62.0	62.0
42"		110.0	110.0	62.0	62.0
48"		75.0	75.0	62.0	62.0
53-1/8"		67.8	67.8	56.0	56.0
26-1/2"	78"	110.0	110.0	62.0	62.0
32"		110.0	110.0	62.0	62.0
37"		110.0	110.0	62.0	62.0
42"		110.0	110.0	62.0	62.0
48"		75.0	75.0	62.0	62.0
53-1/8"		67.8	67.8	56.0	56.0
26-1/2"	84"	110.0	110.0	62.0	62.0
32"		110.0	110.0	62.0	62.0
37"		110.0	110.0	62.0	62.0
42"		110.0	110.0	62.0	62.0
48"		75.0	75.0	62.0	62.0
53-1/8"		67.8	67.8	56.0	56.0
26-1/2"	96"	110.0	110.0	62.0	62.0
32"		110.0	110.0	62.0	62.0
37"		110.0	110.0	62.0	62.0
42"		75.0	75.0	62.0	62.0
48"		75.0	75.0	62.0	62.0

DESIGN LOAD CAPACITY - PSF					
WINDOW DIMS.		GLASS TYPE 'A'		GLASS TYPE 'B'	
WIDTH	LENGTH	EXT.(+)	INT.(-)	EXT.(+)	INT.(-)
24"	48"	110.0	110.0	62.0	62.0
30"		110.0	110.0	62.0	62.0
36"		110.0	110.0	62.0	62.0
42"		110.0	110.0	62.0	62.0
48"		110.0	110.0	62.0	62.0
54"		110.0	110.0	62.0	62.0
60"		110.0	110.0	62.0	62.0
24"	60"	110.0	110.0	62.0	62.0
30"		110.0	110.0	62.0	62.0
36"		110.0	110.0	62.0	62.0
42"		110.0	110.0	62.0	62.0
48"		110.0	110.0	62.0	62.0
54"		97.8	97.8	55.1	55.1
60"		60.0	60.0	49.6	49.6
24"	72"	110.0	110.0	62.0	62.0
30"		110.0	110.0	62.0	62.0
36"		110.0	110.0	62.0	62.0
42"		110.0	110.0	62.0	62.0
48"		110.0	110.0	62.0	62.0
54"		66.7	66.7	55.1	55.1
60"		60.0	60.0	49.6	49.6
24"	84"	110.0	110.0	62.0	62.0
30"		110.0	110.0	62.0	62.0
36"		110.0	110.0	62.0	62.0
42"		110.0	110.0	62.0	62.0
48"		75.0	75.0	62.0	62.0
54"		66.7	66.7	55.1	55.1
24"	96"	110.0	110.0	62.0	62.0
30"		110.0	110.0	62.0	62.0
36"		110.0	110.0	62.0	62.0
42"		75.0	75.0	62.0	62.0
48"		75.0	75.0	62.0	62.0
54"		75.0	75.0	62.0	62.0
24"	108"	110.0	110.0	62.0	62.0
30"		110.0	110.0	62.0	62.0
36"		75.0	75.0	62.0	62.0
42"		75.0	75.0	62.0	62.0
48"		75.0	75.0	62.0	62.0
54"		75.0	75.0	62.0	62.0
24"	120"	110.0	110.0	62.0	62.0
30"		75.0	75.0	62.0	62.0
36"		75.0	75.0	62.0	62.0
42"		75.0	75.0	62.0	62.0



NOTE:
WIDTH AND LENGTH DIMENSIONS CAN BE ORIENTED VERTICALLY OR HORIZONTALLY AS SHOWN ABOVE.

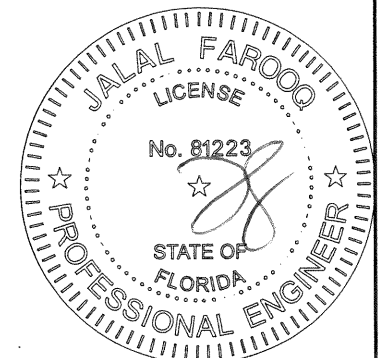


GLAZING OPTIONS

NOTE:
GLASS CAPACITIES ON THIS SHEET ARE BASED ON ASTM E1300-09 (3 SEC. GUSTS).

PRODUCT REVISED
as complying with the Florida Building Code
NOA-No. 20-1203.08
Expiration Date 03/27/2023
By [Signature]
Miami-Dade Product Control

NOV 24 2023



SERIES PW-800-32 ALUM FIXED WINDOW (L.M.I.)

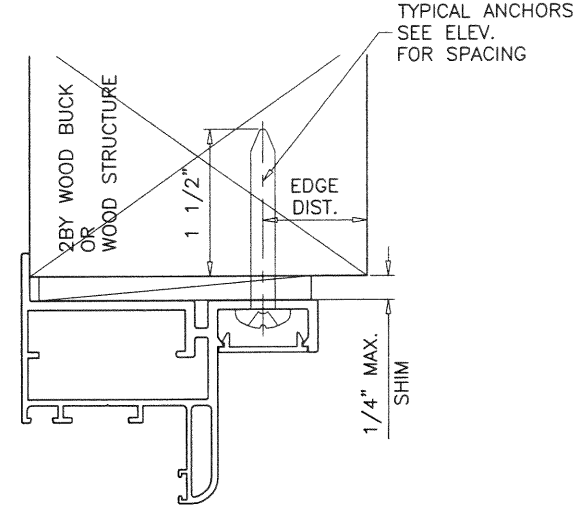
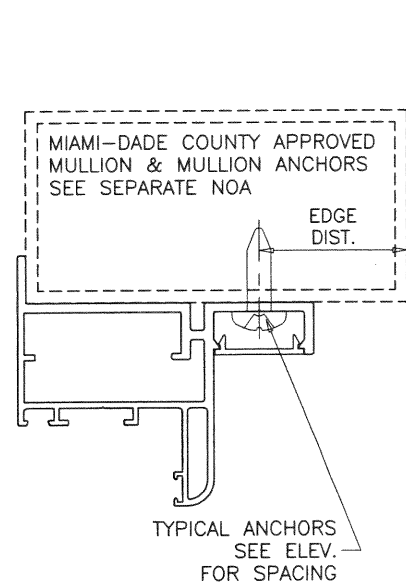
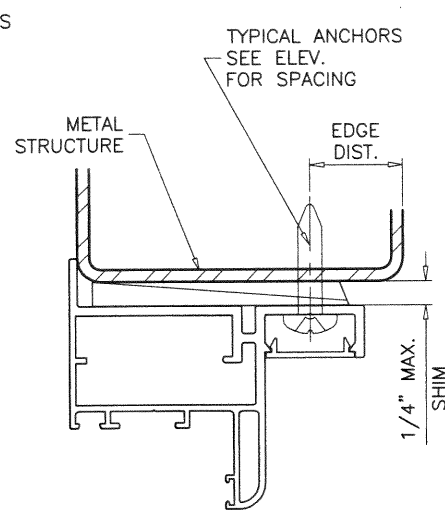
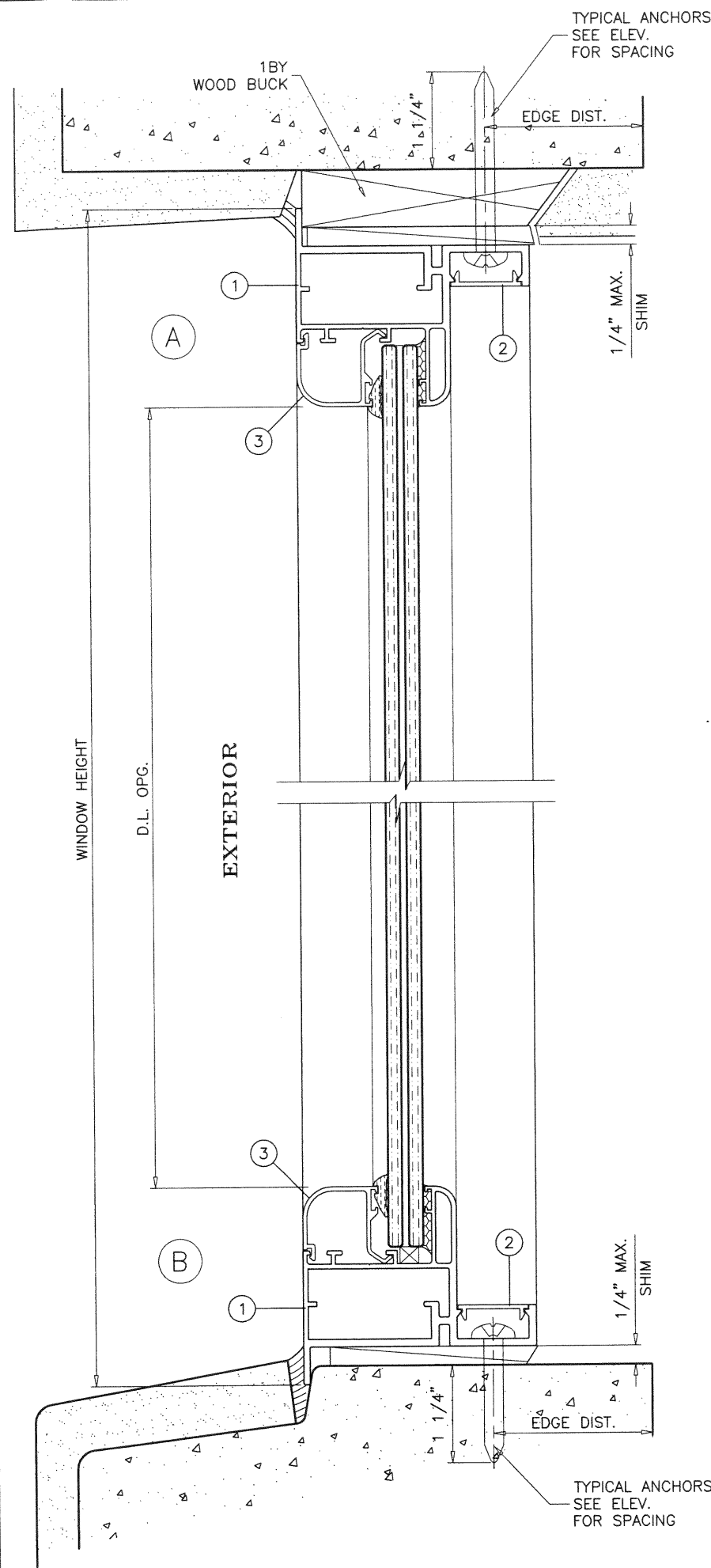
Eurotech Industries Inc.
4201 N.E. 12th Terrace
Oakland Park, Florida 33334
Tel. (954) 630-9967 Fax. (954) 630-0217

no	date	description
C	01.30.12	UPDATED TO 2010 FBC
D	02.27.15	UPDATED TO 2014 FBC
E	12.11.17	UPDATED TO 2017 FBC
F	11.05.20	UPDATED TO 2020 FBC

date: 01-03-08
scale: 1/2" = 1"
dr. by: TARIQ
chk. by:

drawing no.
W08-01
sheet 2 of 5

af c
AL-FAROOQ CORPORATION
ENGINEERS & PRODUCT DEVELOPMENT
9360 SUNSET DRIVE, SUITE 220
MIAMI, FLORIDA 33173 (C.A.N. 3538)
TEL. (305) 262-6978 FAX. (305) 262-6978
COMP-ANL\W08-01EWD



WOOD BUCKS AND METAL STRUCTURE NOT BY 'EUROTECH' MUST SUSTAIN LOADS IMPOSED BY GLAZING SYSTEM AND TRANSFER THEM TO THE BUILDING STRUCTURE.

TYPICAL ANCHORS: SEE ELEV. FOR SPACING

- 1/4" DIA. ULTRACON+ BY 'DEWALT'** (Fu=164 KSI, Fy=148 KSI)
 - INTO 2BY WOOD BUCKS OR WOOD STRUCTURES 1-1/2" MIN. PENETRATION INTO WOOD (HEAD/SILL/JAMBS)
 - THRU 1BY BUCKS INTO CONC. OR BLOCKS 1-1/4" MIN. EMBED INTO CONCRETE (HEAD/SILL/JAMBS)
 - 1-1/4" MIN. EMBED INTO BLOCKS (JAMBS)
- DIRECTLY INTO CONCRETE OR BLOCKS
 - 1-1/4" MIN. EMBED INTO CONCRETE (HEAD/SILL/JAMBS)
 - 1-1/4" MIN. EMBED INTO BLOCKS (JAMBS)

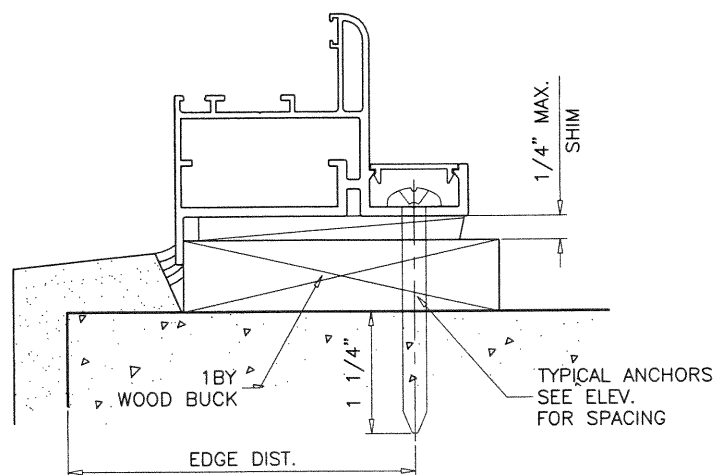
#14 SMS OR SELF DRILLING SCREWS (GRADE 2 CRS) INTO MIAMI-DADE COUNTY APPROVED MULLIONS OR INTO METAL STRUCTURES (HEAD/SILL/JAMBS) (3) THREADS MIN. TO EXTEND BEYOND METAL THICKNESS ALUMINUM: 1/8" THK. MIN. (6063-T5 MIN.) STEEL: 1/8" THK. MIN. (Fy = 36 KSI MIN.) (STEEL IN CONTACT WITH ALUMINUM TO BE PLATED OR PAINTED)


TYPICAL EDGE DISTANCE
 INTO CONCRETE AND BLOCKS = 2-1/2" MIN.
 INTO WOOD STRUCTURE = 1" MIN.
 INTO METAL STRUCTURE = 3/4" MIN.

WOOD AT HEAD, SILL OR JAMBS SG = 0.55 MIN.
 CONCRETE AT HEAD, SILL OR JAMBS f'c = 3000 PSI MIN.
 C-90 HOLLOW/FILLED BLOCK AT JAMBS f'm = 2000 PSI MIN.

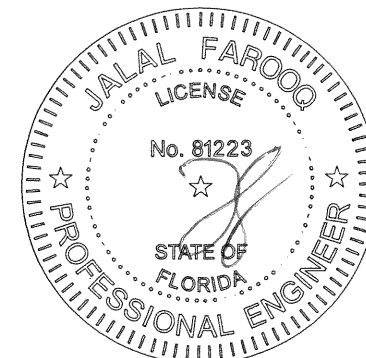
SEALANTS:

ALL JOINTS AND FRAME CONNECTIONS SEALED WITH CRL SMALL JOINT SEALER.



PRODUCT REVISED
 as complying with the Florida Building Code
NOA-No. 20-1203.08
Expiration Date 03/27/2023
 By 
 Miami-Dade Product Control

NOV 24 2020



af c
AL-FAROOQ CORPORATION
 ENGINEERS & PRODUCT DEVELOPMENT
 9360 SUNSET DRIVE, SUITE 220
 MIAMI, FLORIDA 33173 (C.A.N. 5538)
 TEL. (305) 264-8100 FAX. (305) 262-6978
 COMP-ANL\W08-01EWD

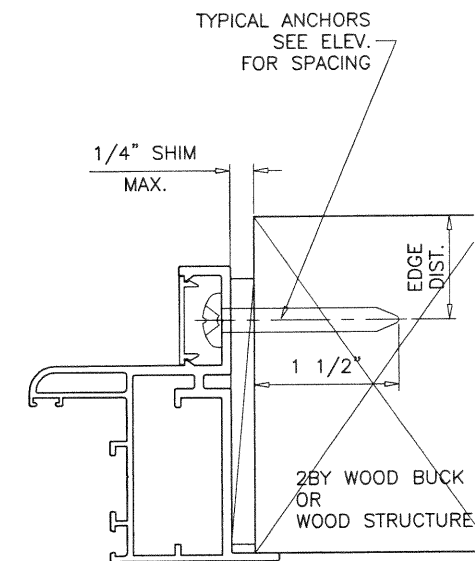
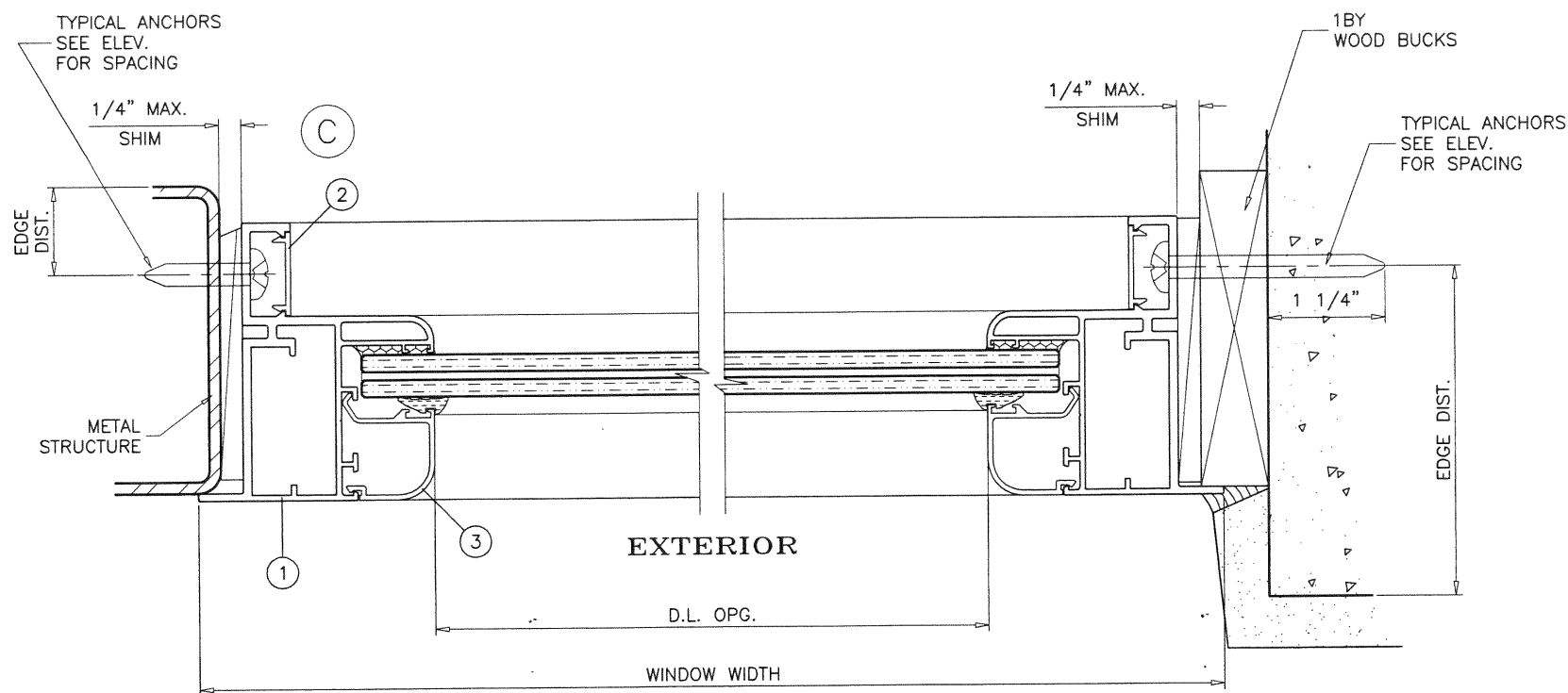
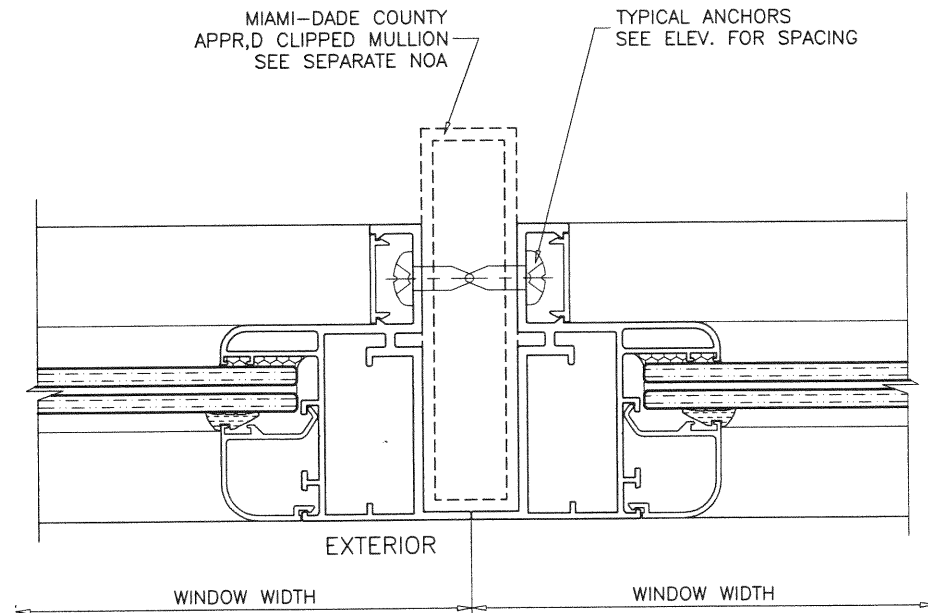
SERIES PW-800-32 ALUM FIXED WINDOW (L.M.I.)
Eurotech Industries Inc.
 4201 N.E. 12th Terrace
 Oakland Park, Florida 33334
 Tel. (954) 630-9967 Fax. (954) 630-0217

no	date	by	description
C	01.30.12		NO CHANGE THIS SHEET
D	02.27.15		UPDATED TO 2014 FBC
E	12.11.17		UPDATED TO 2017 FBC
F	11.05.20		UPDATED TO 2020 FBC

revisions:

date: 01-03-08
 scale: 1/2" = 1"
 dr. by: TARIQ
 chk. by:

drawing no. **W08-01**
 sheet 3 of 5

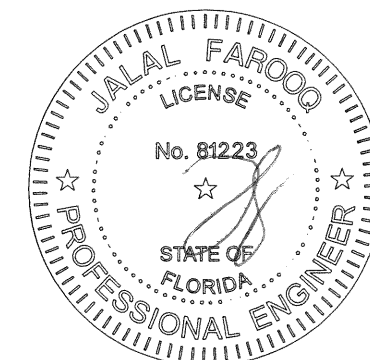


PRODUCT REVISED
 as complying with the Florida
 Building Code
 NOA-No. 20-1203.08

Expiration Date 03/27/2023

By *LS*
 Miami-Dade Product Control

NOV 24 2023



af c
AL-FAROOQ CORPORATION
 ENGINEERS & PRODUCT DEVELOPMENT
 9360 SUNSET DRIVE, SUITE 220 (C.A.N. 3538)
 MIAMI, FLORIDA 33173 FAX. (305) 262-6978
 TEL. (305) 264-8100 COMP-ANL\W08-01EWD

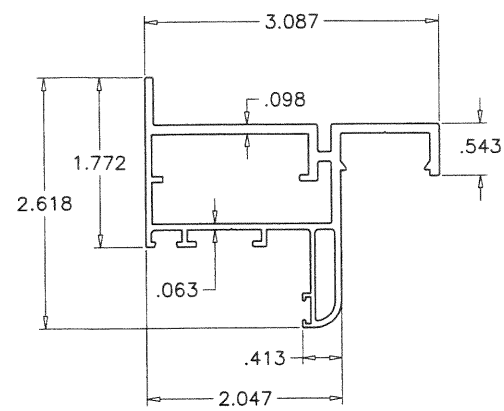
SERIES PW-800-32 ALUM FIXED WINDOW (L.M.I.)
Eurotech Industries Inc.
 4201 N.E. 12th Terrace
 Oakland Park, Florida 33334
 Tel. (954) 630-9967 Fax. (954) 630-0217

no	date	by	description
C	01.30.12		NO CHANGE THIS SHEET
D	02.27.15		UPDATED TO 2014 FBC
E	12.11.17		UPDATED TO 2017 FBC
F	11.05.20		UPDATED TO 2020 FBC

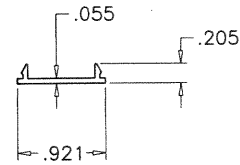
date: 01-03-08
 scale: 1/2" = 1"
 dr. by: TARIQ
 chk. by:

drawing no.
W08-01

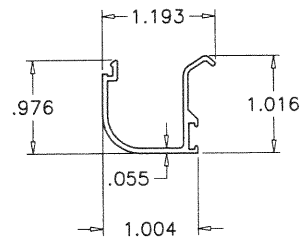
sheet 4 of 5



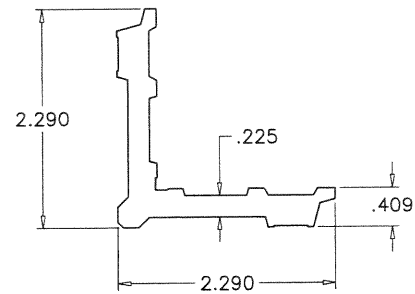
① FRAME



② FRAME COVER (OPTIONAL)

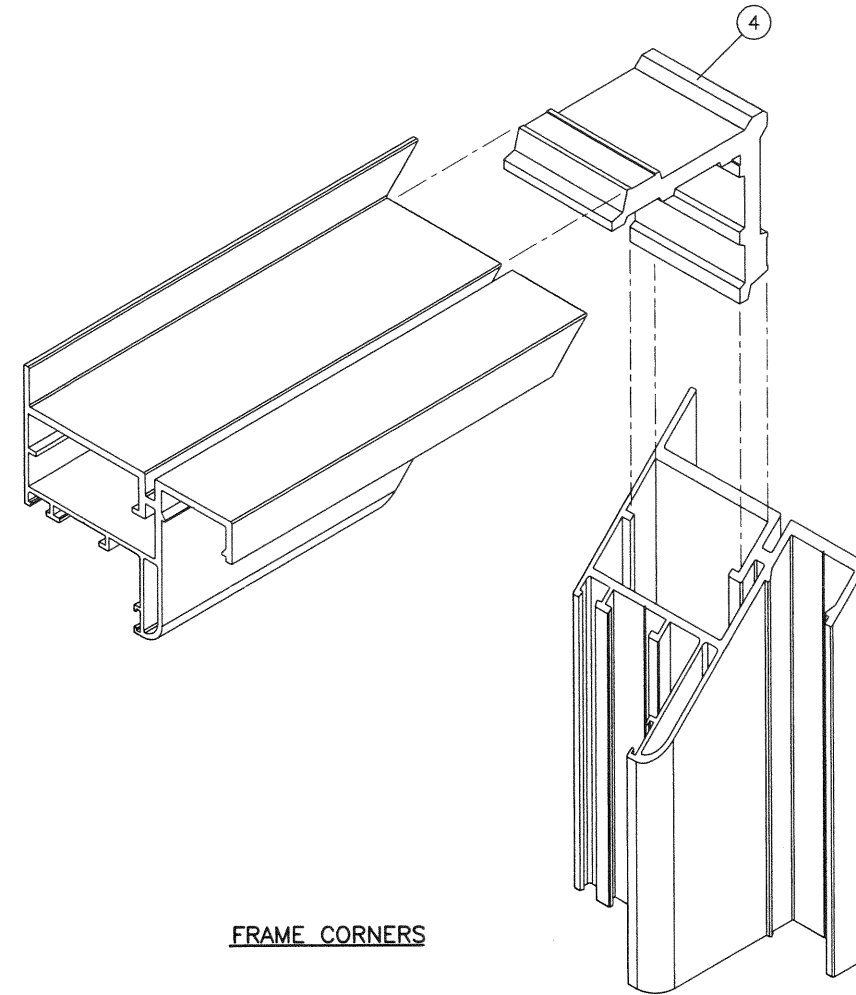


③ GLAZING BEAD



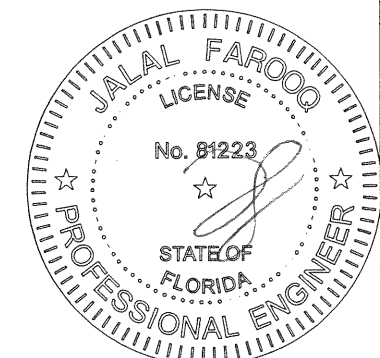
④ CORNER KEY

ITEM	PART #	QUANTITY	DESCRIPTION	MATERIAL	MANF./SUPPLIER/REMARKS
1	ER 014	4	WINDOW FRAME	6063-T6	-
2	HW 013	4	FRAME COVER (OPTIONAL)	6063-T6	-
3	ER 015	4	GLAZING BEAD	6063-T6	-
4	-	4	CORNER KEY	6063-T5	-
5	-	4	WEDGE GASKET (75 DUROMETER)	EPDM	-
6	-	2/ LITE	SETTING BLOCKS AT 1/4 POINTS (1/4" X 1/4" X 2" LONG)	EPDM	DUROMETER 80±5 SHORE A
7	-	-	-	-	-



PRODUCT REVISED
 as complying with the Florida
 Building Code
 NOA-No. 20-1203.08
 Expiration Date 03/27/2023
 By *[Signature]*
 Miami-Dade Product Control

NOV 24 2023



af c
AL-FAROOQ CORPORATION
 ENGINEERS & PRODUCT DEVELOPMENT
 9360 SUNSET DRIVE, SUITE 220
 MIAMI, FLORIDA 33173 (C.A.N. 3538)
 TEL. (305) 264-8100 FAX. (305) 262-6978
 COMP-ANL\W08-01EWD

SERIES PW-800-32 ALUM FIXED WINDOW (L.M.I.)
Eurotech Industries Inc.
 4201 N.E. 12th Terrace
 Oakland Park, Florida 33334
 Tel. (954) 630-9967 Fax. (954) 630-0217

no	date	by	description
C	01.30.12		NO CHANGE THIS SHEET
D	02.27.15		UPDATED TO 2014 FBC
E	12.11.17		UPDATED TO 2017 FBC
F	11.05.20		UPDATED TO 2020 FBC

date: 01-03-08
 scale: 1/2" = 1"
 dr. by: TARIQ
 chk. by:

drawing no.
W08-01
 sheet 5 of 5