



DEPARTMENT OF REGULATORY AND ECONOMIC RESOURCES (RER)
BOARD AND CODE ADMINISTRATION DIVISION
NOTICE OF ACCEPTANCE (NOA)

MIAMI-DADE COUNTY
PRODUCT CONTROL SECTION
11805 SW 26 Street, Room 208
Miami, Florida 33175-2474
T (786) 315-2590 F (786) 315-2599
www.miamidade.gov/economy

Master Wall Inc.
P.O. Box 397
Fortson, GA 31808

SCOPE:

This NOA is being issued under the applicable rules and regulations governing the use of construction materials. The documentation submitted has been reviewed and accepted by Miami-Dade County RER-Product Control Section to be used in Miami Dade County and other areas where allowed by the Authority Having Jurisdiction (AHJ).

This NOA shall not be valid after the expiration date stated below. The Miami-Dade County Product Control Section (In Miami Dade County) and/or the AHJ (in areas other than Miami Dade County) reserve the right to have this product or material tested for quality assurance purposes. If this product or material fails to perform in the accepted manner, the manufacturer will incur the expense of such testing and the AHJ may immediately revoke, modify, or suspend the use of such product or material within their jurisdiction. RER reserves the right to revoke this acceptance, if it is determined by Miami-Dade County Product Control Section that this product or material fails to meet the requirements of the applicable building code.

This product is approved as described herein and has been designed to comply with the Florida Building Code, including the High Velocity Hurricane Zone.

DESCRIPTION: Aggre-flex and Rollershield Drainage H75F5LMEIFS System over 1/2" Dens Glass Gold

APPROVAL DOCUMENT: Drawing No. **H75F5LM**, titled "Aggre-flex and Rollershield Drainage EIFS", sheets 1 through 3 of 3, dated 10/30/2019 and last revised on 04/06/21, prepared by Master Wall Inc., signed and sealed by Salvatore R. Granata, P.E., S.E., bearing the Miami-Dade County Product Control revision stamp with the Notice of Acceptance number and revision date by the Miami-Dade County Product Control Section.

MISSILE IMPACT RATING: Large and Small Missile Impact Resistant

LABELING: Each unit shall bear a permanent label with the manufacturer's name or logo, city, state, model/series and following statement: "Miami-Dade County Product Control Approved", unless otherwise noted herein. Components of this product come in different size buckets or drums. Each container needs to be labeled. Unit is further defined as each individual board of insulation and roll of reinforcing mesh.

RENEWAL of this NOA shall be considered after a renewal application has been filed and there has been no change in the applicable building code negatively affecting the performance of this product.

TERMINATION of this NOA will occur after the expiration date or if there has been a revision or change in the materials, use, and/or manufacture of the product or process. Misuse of this NOA as an endorsement of any product, for sales, advertising or any other purposes shall automatically terminate this NOA. Failure to comply with any section of this NOA shall be cause for termination and removal of NOA.

ADVERTISEMENT: The NOA number preceded by the words Miami-Dade County, Florida, and followed by the expiration date may be displayed in advertising literature. If any portion of the NOA is displayed, then it shall be done in its entirety.

INSPECTION: A copy of this entire NOA shall be provided to the user by the manufacturer or its distributors and shall be available for inspection at the job site at the request of the Building Official.

This NOA revises & renews NOA #19-1105.06 and consists of this page 1 and evidence pages E-1, E-2 and E-3, as well as approval document mentioned above.

The submitted documentation was reviewed by **Ishaq I. Chanda, P.E.**



Ishaq I. Chanda

NOA No. 21-0414.01
Expiration Date: June 16, 2026
Approval Date: June 10, 2021
Page 1

NOTICE OF ACCEPTANCE: EVIDENCE SUBMITTED

1. Evidence submitted under NOA #15-0729.20

A. DRAWINGS

1. Drawing No. **H75F5LM**, titled "Aggre-flex and Rollershield Drainage EIFS", sheets 1 through 3 of 3, dated 07/01/2015, prepared by the manufacturer, signed and sealed by Salvatore R. Granata, P.E. on 01/28/2016.

B. TESTS

1. Test reports on
 - 1) Air Infiltration Test, per FBC, TAS 202-94
 - 2) Uniform Static Air Pressure Test, Loading per FBC TAS 202-94
 - 3) Water Resistance Test, per FBC, TAS 202-94
 - 4) Large Missile Impact Test per FBC, TAS 201-94
 - 5) Cyclic Wind Pressure Loading per FBC, TAS 203-94along with marked-up drawings and installation diagram of Master Wall EIFS System, prepared by Certified Testing Laboratories, Test Report No. **CTLA-3052W**, dated 04/16/2015, signed and sealed by Ramesh C. Patel, P.E.

C. CALCULATIONS

1. None.

D. QUALITY ASSURANCE

1. Miami-Dade Department of Regulatory and Economic Resources (RER)

E. MATERIAL CERTIFICATIONS

1. Notice of Acceptance No. **11-0926.07**, issued to Dyplast Products LLC, for their Expanded Polystyrene Block Type Insulation, approved on 11/10/2011 and expiring on 01/11/2017.

F. STATEMENTS

1. Drawing No. **H75F5LM** statement of code conformance to the 5th edition (2014) FBC issued by the manufacturer, signed and sealed by Salvatore R. Granata, P.E.
2. Statement letter of no financial interest letter issued by Master Wall, Inc., dated 10/08/2015, signed by Dennis Deppner.

Ishaq I. Chanda

Ishaq I. Chanda, P.E.
Product Control Unit Supervisor
NOA No. 21-0414.01
Expiration Date: June 16, 2026
Approval Date: June 10, 2021

NOTICE OF ACCEPTANCE: EVIDENCE SUBMITTED

2. Evidence submitted under previous approval

A. DRAWINGS

1. Drawing No. **H75F5LM**, titled “Aggre-flex and Rollershield Drainage EIFS”, sheets 1 through 3 of 3, dated 10/30/2019, prepared by Master Wall Inc., signed and sealed by Salvatore R. Granata, P.E., S.E.

B. TESTS

1. None.

C. CALCULATIONS

1. None.

D. QUALITY ASSURANCE

1. Miami-Dade Department of Regulatory and Economic Resources (RER)

E. MATERIAL CERTIFICATIONS

1. Notice of Acceptance No. **17-1207.05**, issued to Dyplast Products LLC, for their E and R Board Expanded Polystyrene Rigid Foam Insulations, approved on 02/01/2018 and expiring on 01/11/2022.

F. STATEMENTS

1. Statement letter of code conformance to the 6th edition (2017) FBC issued by Salvatore R. Granata, P.E., S.E., dated 08/06/2019, signed and sealed by Salvatore R. Granata, P.E., S.E.

Ishaq I. Chanda

Ishaq I. Chanda, P.E.
Product Control Unit Supervisor
NOA No. 21-0414.01
Expiration Date: June 16, 2026
Approval Date: June 10, 2021

NOTICE OF ACCEPTANCE: EVIDENCE SUBMITTED

2. New evidence submitted

A. DRAWINGS

1. Drawing No. **H75F5LM**, titled “Aggre-flex and Rollershield Drainage EIFS”, sheets 1 through 3 of 3, dated 10/30/2019 and last revised on 04/06/21, prepared by Master Wall Inc., signed and sealed by Salvatore R. Granata, P.E., S.E.

B. TESTS

1. None.

C. CALCULATIONS

1. None.

D. QUALITY ASSURANCE

1. Miami-Dade Department of Regulatory and Economic Resources (RER)

E. MATERIAL CERTIFICATIONS

1. Notice of Acceptance No. **17-1207.05**, issued to Dyplast Products LLC, for their E and R Board Expanded Polystyrene Rigid Foam Insulations, approved on 02/01/2018 and expiring on 01/11/2022.

F. STATEMENTS

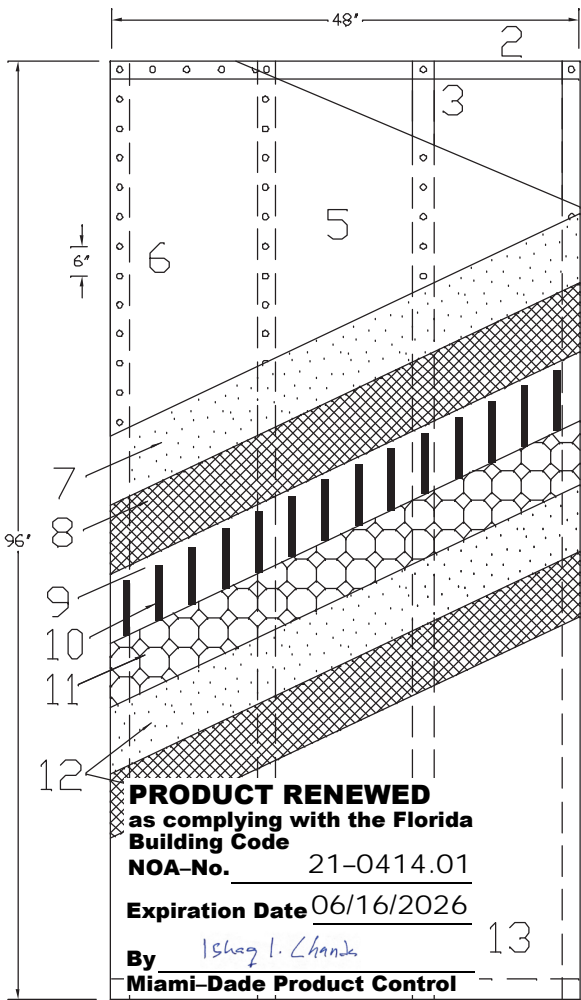
1. Statement letter of code conformance to the 7th edition (FBC 2020) , issued by Salvatore R. Granata, P.E., S.E., dated April 06, 2021, signed and sealed by Salvatore R. Granata, P.E., S.E.

G. OTHER

1. This NOA revises & renews NOA #19-1105.06, expiring 06/16/26.

Ishaq I. Chanda

Ishaq I. Chanda, P.E.
Product Control Unit Supervisor
NOA No. 21-0414.01
Expiration Date: June 16, 2026
Approval Date: June 10, 2021



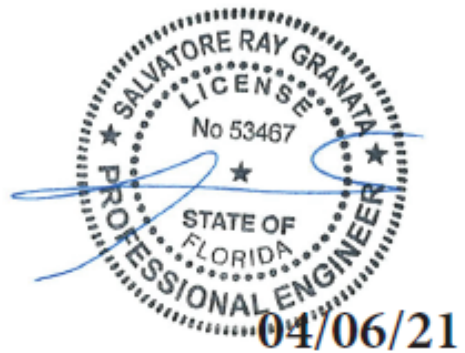
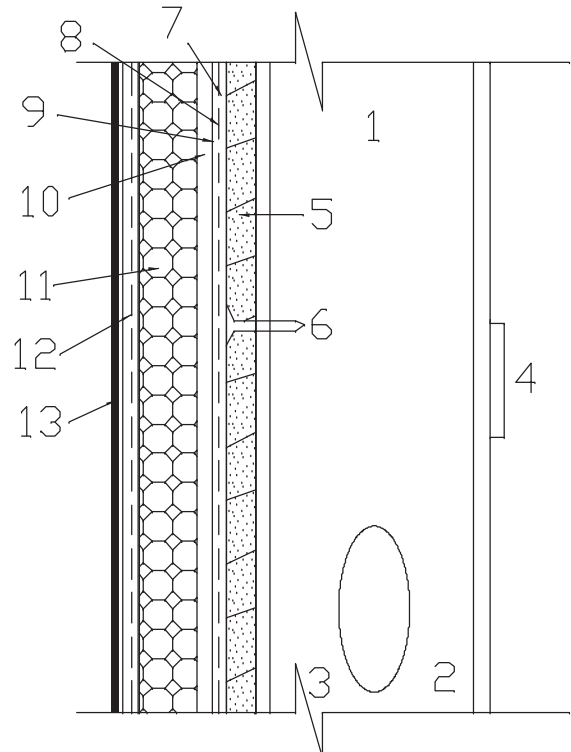
PRODUCT RENEWED
as complying with the Florida
Building Code
NOA-No. 21-0414.01
Expiration Date 06/16/2026
By *Ishaq I. Chank*
Miami-Dade Product Control

H75F5LM Material List

1. 3-5/8" x 18 gage steel studs at 16" o.c.
2. 3-5/8" x 18 gage steel track
3. Fastened to steel studs with #8 x 1/2" self drilling pan head screw
4. 20 ga x 2" wide steel strapping on interior secured with #8 x 1/2" pan head screws
5. 5/8" Dens Glass Gold sheathing meeting ASTM C1177
6. Minimum #6 x 1-1/4" bugle head screws spaced at 6" o.c. along framing members
7. Master Wall F&M base coat mixed 1:1 by weight with Portland cement and water.
8. Master Wall Ultra Mesh 21.0 oz/sy fiberglass reinforcing mesh embedded in the Master Wall base coat.
9. Optional Rollershield Liquid-applied Air/Water Barrier (LAB)
10. Adhere the expanded polystyrene (EPS) insulation board with Master Wall F&M Mixture. The adhesive is applied with a 3/8" x 1/2" notched trowel with notches spaced a maximum of 1-1/2" o.c. The adhesive shall be applied to the back side of the EPS in a vertical orientation.
11. Minimum 1" thick insulation board meeting Master Wall specifications. Insulation board shall possess a current NOA with Miami Dade County.
12. Master Wall Standard reinforcing mesh, 4.5 oz/sy embedded into the F&M base coat. Lap mesh a minimum of 2-1/2" at all edges.
13. Master Wall Superior Finish, 100% acrylic based dirt pickup resistant (DPR) finish.

General Notes

1. The system has been designed in accordance with the Florida Building Code 2020 Edition and its latest supplements.
2. This system has been tested in accordance with Miami Dade County Protocols TAS 201, TAS 202 and TAS 203; Impact, structural and cyclic testing.
3. This system shall be applied by a licensed plastering contractor following this notice of acceptance, the recommendations of Master Wall Inc. and the applicable sections of the Florida Building Code.
4. The Engineer and/or Architect of record for each project using this system shall size all stud framing to ensure conformance with stud deflection and stress limitations as required by all governing codes and this document.
5. Insulation boards shall be positioned in a running bond pattern.
6. All steel studs shall be structural with 1-5/8" minimum flange width and have a minimum yield strength of 33000 psi.
7. Details on sheets 4 and 5 are typical and show intent to prevent water infiltration into and behind this system. Alternative details and specific conditions not covered by the typical details are the responsibility of the licensed design professionals.



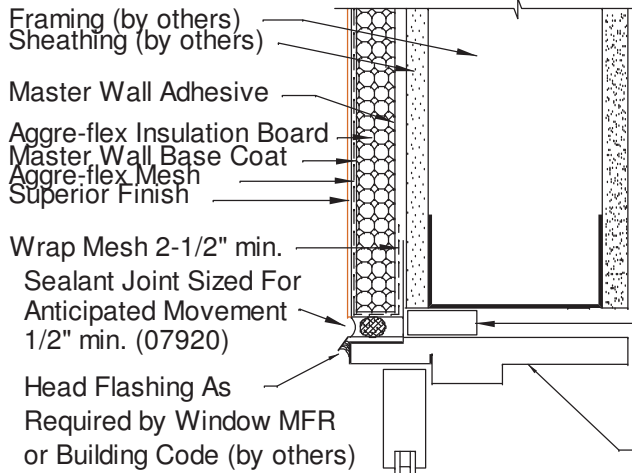
Large Missile Impact Tests TAS 201 and TAS 203 For Risk Category III 2x4 traveling 50 feet per second

Sheet 1 of 3
 Date Issued: 10/30/19
 Drawing Number:
 H75F5LM

Aggre-flex/Rollershield Drainage EIFS
 Assembly H75F5LM Large Missile Impact
 Dens Glass Gold Substrate

Salvatore R. Granata, P.E., S.E.
 Phone: (251) 967-2151
 Cell: (770) 501-5817
 Toll Free: (877) 346-6108
 140 Lee Road 2012
 Opelika, AL 36864
 Fax: 866-610-4902
www.salgranata.com

Master Wall Inc.
Building a Culture of Excellence
 P.O. Box 397 Fortson, GA 31808 800-755-0825 FAX 706-569-0092
masterwall.com



Window Head/Jamb Detail



Expanding Foam Seal (07920)

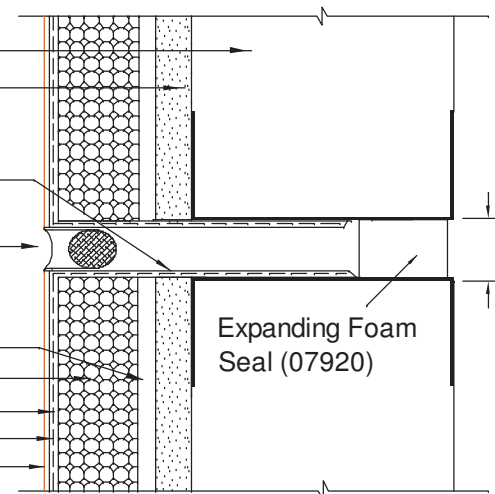
Window Frame (08000)

Framing (by others)
Sheathing (by others)

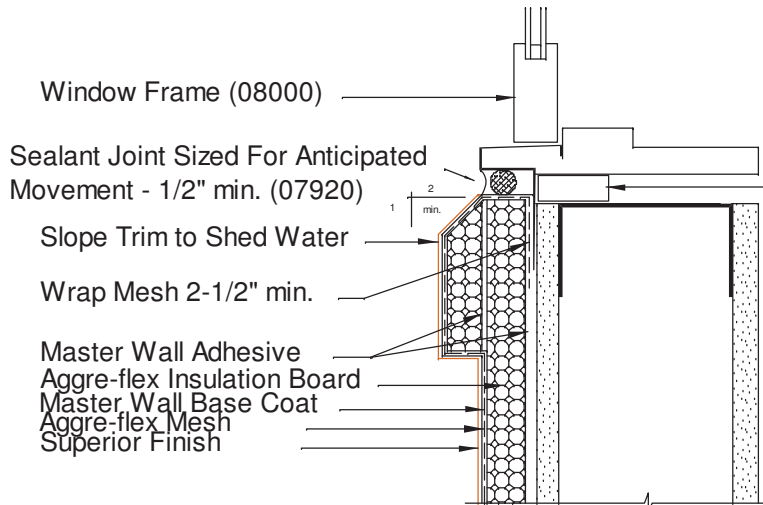
Wrap Base Coat and Mesh 2-1/2" min. onto Framing

Sealant Joint Sized for Anticipated Movement (07920)

Master Wall Adhesive
Aggre-flex Insulation Board
Master Wall Base Coat
Aggre-flex Mesh
Superior Finish



Typical Vertical Expansion Joint



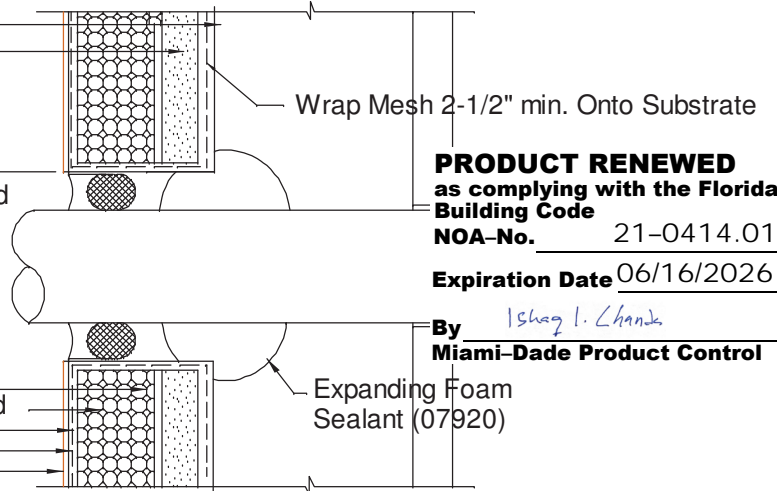
Window Sill Detail

Framing (by others)
Sheathing (by others)

Expanding Foam Seal (07920)

Sealant Joint Sized for Anticipated Movement - 1/2" (13 mm) min. (07920)

Master Wall Adhesive
Aggre-flex Insulation Board
Master Wall Base Coat
Aggre-flex Mesh
Superior Finish



Pipe Penetration Detail

PRODUCT RENEWED
as complying with the Florida Building Code

NOA-No. 21-0414.01

Expiration Date 06/16/2026

By Ishtaq I. Chande
Miami-Dade Product Control

Sheet 2 of 3
Date Issued: 10/30/19

Drawing Number:
H75F5LM

Aggre-flex/Rollershield Drainage EIFS
Assy H75F5LM Large and Small Missile Impact

Aggre-flex Shown, Rollershield Optional
Salvatore R. Granata, P.E., S.E.



Phone: 878-361-3151
Cell: (770) 361-6817
Toll Free: (877) 366-6126

148 Lee Road 2012
Dunwoody, AL 30094

Fax: 866-815-4882
info@masterwall.com
www.masterwall.com

Master Wall Inc.
Building a Culture of Excellence
P.O. Box 397 Fortson, GA 31808 800-755-0825 FAX 706-569-0092
masterwall.com

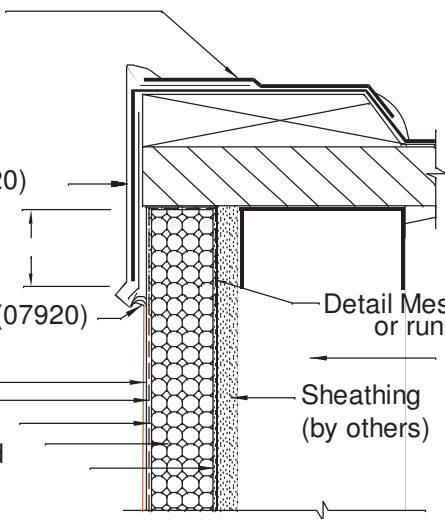
Roof System (07300)

Roof Fascia & Cleat (07620)

Min. 50 mm (2")

Sealant (07920)

Superior Finish
Aggre-flex Mesh
Master Wall Base Coat
Aggre-flex Insulation Board
Master Wall Adhesive



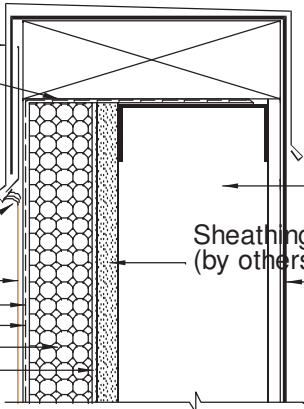
Cap Detail

Coping Cap & Cleat (07620)
Wrap 2-1/2" min. Onto Framing

Min 2" (50 mm)

Sealant (07920)

Superior Finish
Aggre-flex Mesh
Master Wall Base Coat
Aggre-flex Insulation Board
Master Wall Adhesive



Cap Detail

PRODUCT RENEWED
as complying with the Florida
Building Code

NOA-No. 21-0414.01

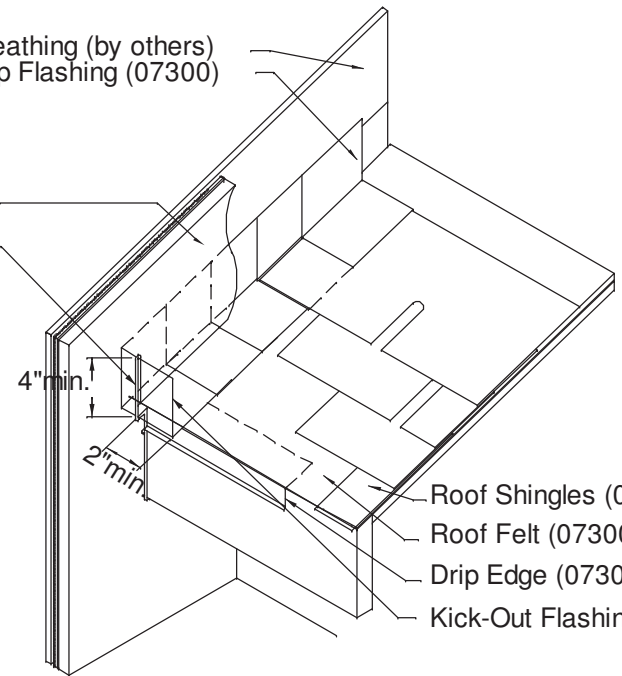
Expiration Date 06/16/2026

By Ishag I. Chank
Miami-Dade Product Control

Sheathing (by others)
Step Flashing (07300)

Aggre-flex EIFS

Sealant (07920)



Roof Felt - Run up wall 4"
min. per NRCA (07300)

Roof Shingles (07300)
Roof Felt (07300)
Drip Edge (07300)
Kick-Out Flashing

NOTE:

1. Kickout Flashing Must Be Angled 100 Degrees min. To Allow For Proper Drainage
2. Kick Out Flashing Seams Must Be Soldered or Sealed with Appropriate Sealant.
3. Aggre-flex System Should Cover the Flashing a Minimum of 2" and should end about 1-2" (25-50 mm) Above Roof or in Accordance With Local Requirements

Typical Roof/Wall Intersection



Salvatore R. Granata, P.E., S.E.

Phone: (678) 367-3151
Cell: (770) 301-5817
Toll Free: (877)346-6126

146 Lee Road 2012
Opelika, AL 36804

Fax: 866-815-4682
sal@masterwall.com
srg@granata.com

Sheet 3 of 3
Date Issued: 10/30/19

Drawing Number:
H75F5LM

Aggre-flex EIFS/Rollershield Drainage EIFS
Assy H75F5LM Large and Small Missile Impact
Aggre-flex Shown, Rollershield Optional



Master Wall Inc.
Building a Culture of Excellence
P.O. Box 397 Fortson, GA 31808 800-755-0825 FAX 706-569-0092
masterwall.com