



DEPARTMENT OF REGULATORY AND ECONOMIC RESOURCES (RER)  
BOARD AND CODE ADMINISTRATION DIVISION

**NOTICE OF ACCEPTANCE (NOA)**

MIAMI-DADE COUNTY  
PRODUCT CONTROL SECTION  
11805 SW 26 Street, Room 208  
Miami, Florida 33175-2474  
T (786) 315-2590 F (786) 315-2599  
[www.miamidade.gov/building](http://www.miamidade.gov/building)

Eco Window Systems, LLC  
8502 NW 80<sup>th</sup> Street  
Medley, FL 33166

**SCOPE:**

This NOA is being issued under the applicable rules and regulations governing the use of construction materials. The documentation submitted has been reviewed and accepted by Miami-Dade County RER-Product Control Section to be used in Miami-Dade County and other areas where allowed by the Authority Having Jurisdiction (AHJ).

This NOA shall not be valid after the expiration date stated below. The Miami-Dade County Product Control Section (In Miami-Dade County) and/ or the AHJ (in areas other than Miami-Dade County) reserve the right to have this product or material tested for quality assurance purposes. If this product or material fails to perform in the accepted manner, the manufacturer will incur the expense of such testing and the AHJ may immediately revoke, modify, or suspend the use of such product or material within their jurisdiction. RER reserves the right to revoke this acceptance if it is determined by Miami-Dade County Product Control Section that this product or material fails to meet the requirements of the applicable building code.

This product is approved as described herein and has been designed to comply with the Florida Building Code, including the High Velocity Hurricane Zone.

**DESCRIPTION: Series "70" Aluminum Fixed Window – L.M.I.**

**APPROVAL DOCUMENT:** Drawing No. **21-39D**, titled "Series-70 Aluminum Fixed Wdw. (L.M.I.)", sheets 1 through 5 of 5, dated 05/04/21, prepared by Al-Farooq Corporation, signed and sealed by Jalal Farooq, P.E., bearing the Miami-Dade County Product Control Approval stamp with the Notice of Acceptance number and approval date by the Miami-Dade County Product Control Section.

**MISSILE IMPACT RATING: Large and Small Missile Impact Resistant**

**LABELING:** Each unit shall bear a permanent label with the manufacturer's name or logo, city, state, model/series, and following statement: "Miami-Dade County Product Control Approved", unless otherwise noted herein.

**RENEWAL** of this NOA shall be considered after a renewal application has been filed and there has been no change in the applicable building code negatively affecting the performance of this product.

**TERMINATION** of this NOA will occur after the expiration date or if there has been a revision or change in the materials, use, and/ or manufacture of the product or process. Misuse of this NOA as an endorsement of any product, for sales, advertising or any other purposes shall automatically terminate this NOA. Failure to comply with any section of this NOA shall be cause for termination and removal of NOA.

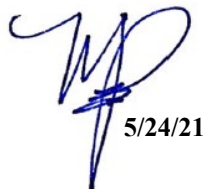
**ADVERTISEMENT:** The NOA number preceded by the words Miami-Dade County, Florida, and followed by the expiration date may be displayed in advertising literature. If any portion of the NOA is displayed, then it shall be done in its entirety.

**INSPECTION:** A copy of this entire NOA shall be provided to the user by the manufacturer or its distributors and shall be available for inspection at the job site at the request of the Building Official.

This consists of this page 1 and evidence page E-1, as well as approval document mentioned above.

The submitted documentation was reviewed by **Manuel Perez, P.E.**



  
5/24/21

NOA No. 21-0510.02  
Expiration Date: June 03, 2025  
Approval Date: June 03, 2021  
Page 1

**Eco Window Systems, LLC.**

**NOTICE OF ACCEPTANCE: EVIDENCE SUBMITTED**

**A. DRAWINGS**

1. Manufacturer's die drawings and sections.  
*(Submitted under NOA No. 21-0510.02)*
2. Drawing No **21-39D**, titled "Series-70 Aluminum Fixed Wdw. (L.M.I.)", sheets 1 through 5 of 5, dated 05/04/21, prepared by Al-Farooq Corporation, signed and sealed by Jalal Farooq, P.E.

**B. TESTS**

1. Test reports on: 1) Air Infiltration Test, per FBC, TAS 202-94  
2) Uniform Static Air Pressure Test, Loading per FBC TAS 202-94  
3) Water Resistance Test, per FBC, TAS 202-94  
4) Large Missile Impact Test per FBC, TAS 201-94  
5) Cyclic Wind Pressure Loading per FBC, TAS 203-94  
along with marked-up drawings and installation diagram of a series 70 aluminum fixed window, prepared by Fenestration Testing Laboratory, Inc., Test Report No. **FTL-12013**, dated 04/14/20, signed and sealed by Idalmis Ortega, P.E.

**C. CALCULATIONS**

1. Anchor verification calculations and structural analysis, complying with **FBC 7<sup>th</sup> Edition (2020)**, dated 05/03/21 prepared by Al-Farooq Corporation, signed and sealed by Jalal Farooq, P.E.
2. Glazing complies with **ASTM E1300-09/12**.

**D. QUALITY ASSURANCE**

1. Miami-Dade Department of Regulatory and Economic Resources (RER)

**E. MATERIAL CERTIFICATIONS**

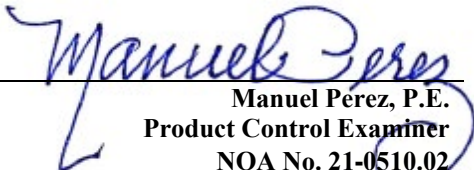
1. Notice of Acceptance No. **20-0915.22** issued to **Kuraray America, Inc.** for their "**Trosifol® Ultraclear, Clear and Color PVB Glass Interlayers**" dated 11/19/20, expiring on 07/08/24.

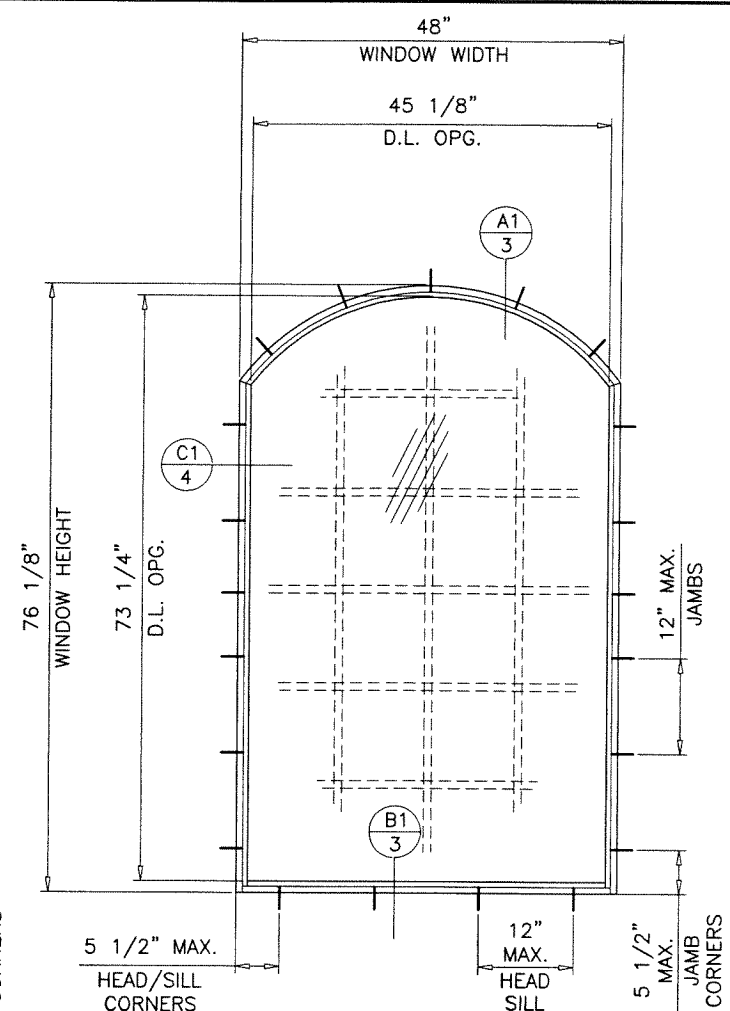
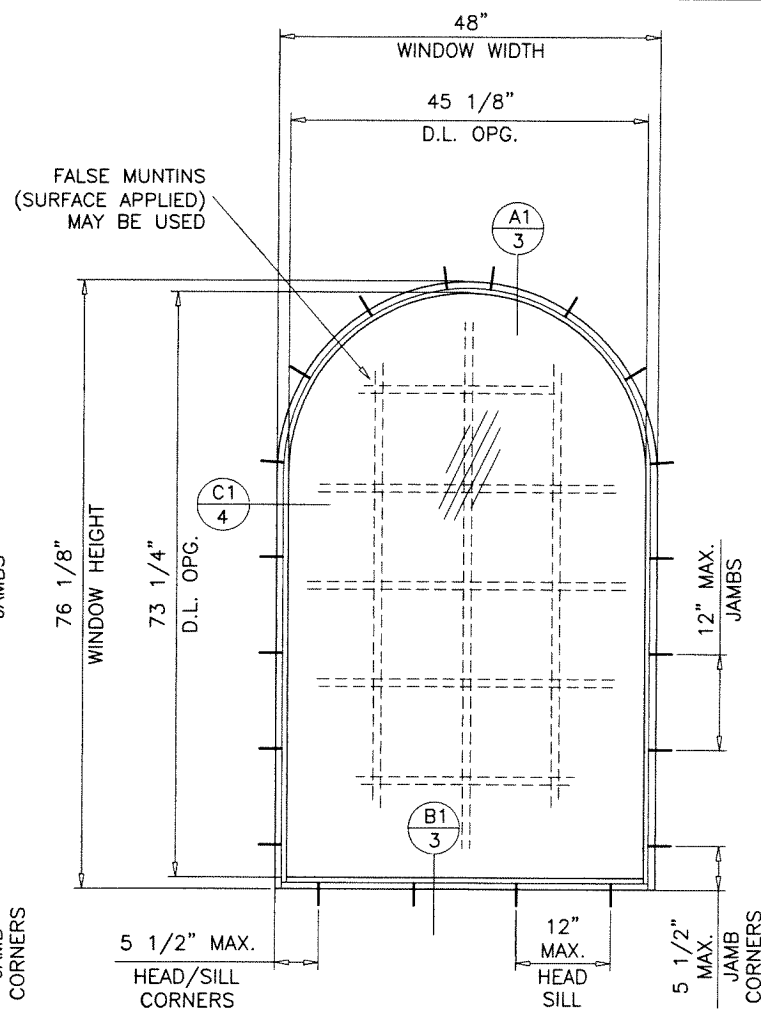
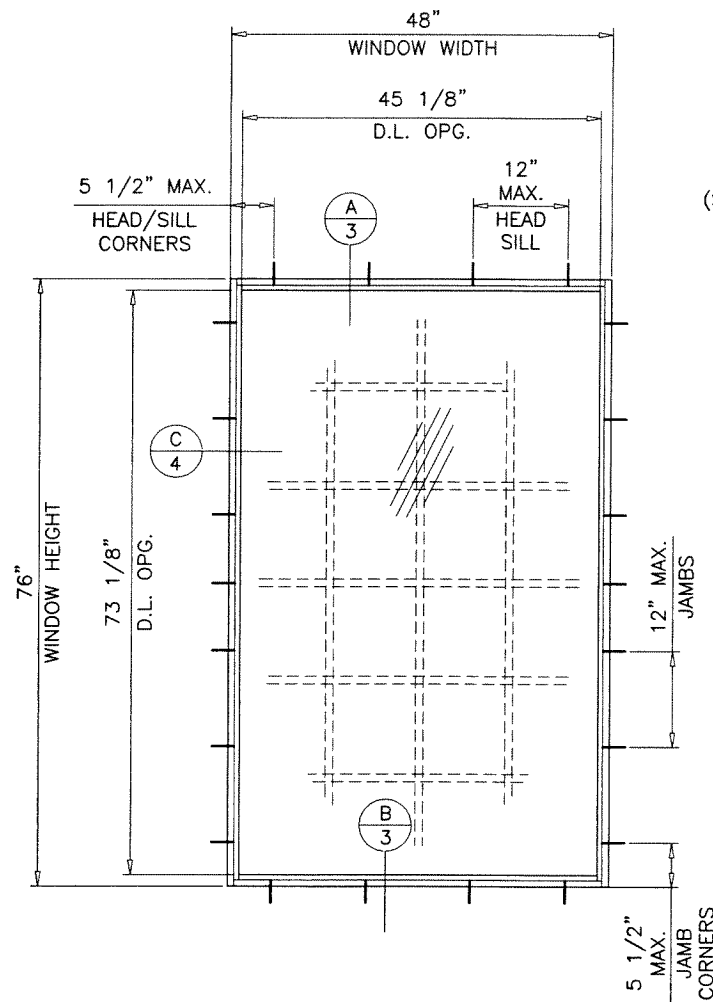
**F. STATEMENTS**

1. Statement letter of conformance, complying with **FBC 7<sup>th</sup> Edition (2020)** and of no financial interest, dated May 03, 2021, issued by Al-Farooq Corporation, signed and sealed by Jalal Farooq, P.E.
2. Testing Proposal No. **19-1127** issued by the Product Control Section, dated October 21, 2019, signed by Manuel Perez, P.E.

**G. OTHERS**

1. None.

  
Manuel Pérez, P.E.  
Product Control Examiner  
NOA No. 21-0510.02  
Expiration Date: June 03, 2025  
Approval Date: June 03, 2021



**TYPICAL ELEVATION**  
(TESTED UNITS)

**SERIES-70**  
**ALUMINUM FIXED WINDOW**

DESIGN LOAD RATINGS FOR THESE WINDOWS TO BE AS PER CHARTS SHOWN ON SHEET 2.

APPROVAL APPLIES TO SINGLE UNITS OR SIDE BY SIDE COMBINATIONS OF FIX./FIX. OR FIXED WITH OTHER WINDOW TYPES IN MODULES OF TWO OR MORE WINDOWS USING MIAMI-DADE COUNTY APPROVED MULLIONS IN BETWEEN.

LOWER DESIGN PRESSURE FROM WINDOWS OR MULLION NOA WILL APPLY TO ENTIRE SYSTEM.

THIS PRODUCT HAS BEEN DESIGNED AND TESTED TO COMPLY WITH THE REQUIREMENTS OF THE 2020 (7TH EDITION) FLORIDA BUILDING CODE INCLUDING HIGH VELOCITY HURRICANE ZONE (HVHZ).

1BY OR 2BY WOOD BUCKS & BUCK FASTENERS BY OTHERS, MUST BE DESIGNED AND INSTALLED ADEQUATELY TO TRANSFER APPLIED PRODUCT LOADS TO THE BUILDING STRUCTURE.

ANCHORS SHALL BE CORROSION RESISTANT, SPACED AS SHOWN ON DETAILS AND INSTALLED PER MANUF'S INSTRUCTIONS. SPECIFIED EMBEDMENT TO BASE MATERIAL SHALL BE BEYOND WALL DRESSING OR STUCCO.

A LOAD DURATION INCREASE IS USED IN DESIGN OF ANCHORS INTO WOOD ONLY.

ALL SHIMS TO BE HIGH IMPACT, NON-METALLIC AND NON-COMPRESSIBLE.

MATERIALS INCLUDING BUT NOT LIMITED TO STEEL/METAL SCREWS, THAT COME INTO CONTACT WITH OTHER DISSIMILAR MATERIALS SHALL MEET THE REQUIREMENTS OF THE 2020 FLORIDA BLDG. CODE & ADOPTED STANDARDS.

THIS PRODUCT APPROVAL IS GENERIC AND DOES NOT PROVIDE INFORMATION FOR A SITE SPECIFIC PROJECT, i.e. LIFE SAFETY OF THIS PRODUCT, ADEQUACY OF STRUCTURE RECEIVING THIS PRODUCT AND SEALING AROUND OPENING FOR WATER INFILTRATION RESISTANCE ETC.

CONDITIONS NOT SHOWN IN THIS DRAWING ARE TO BE ANALYZED SEPARATELY, AND TO BE REVIEWED BY BUILDING OFFICIAL.

DESIGN LOADS SHOWN ARE BASED ON 'ALLOWABLE STRESS DESIGN (ASD)'.

THESE WINDOWS ARE RATED FOR LARGE & SMALL MISSILE IMPACT. SHUTTERS ARE NOT REQUIRED.

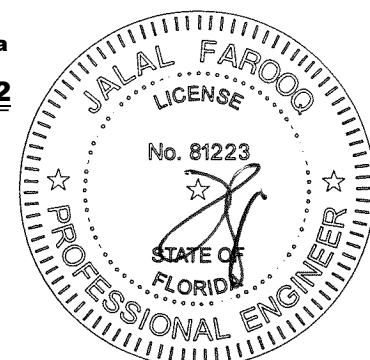
**PRODUCT APPROVED**  
as complying with the Florida  
Building Code

NOA-No. **21-0510.02**

Approval Date: **06/03/2021**

By: *Manuel Perez*  
Miami-Dade Product Control

MAY 06 2021



**afc**  
**AL-FAROOQ CORPORATION**  
ENGINEERS & PRODUCT DEVELOPMENT  
9360 SUNSET DRIVE, SUITE 220  
MIAMI, FLORIDA 33173 (C.A.N. 3538)  
TEL. (305) 264-8100 FAX. (305) 262-6978  
COMP-ANL\21-39D-ECO

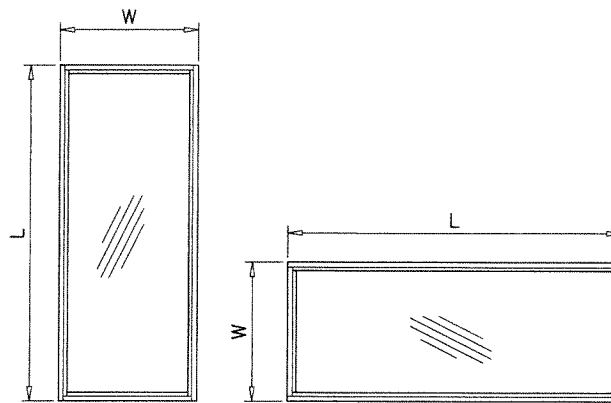
SERIES-70 ALUMINUM FIXED WDW. (L.M.I.)  
**ECO WINDOW SYSTEMS, LLC.**  
8502 N.W. 80th STREET  
MEDLEY, FL. 33166  
TEL. (305) 885-5299 FAX (305) 885-5902

no	date	by	description

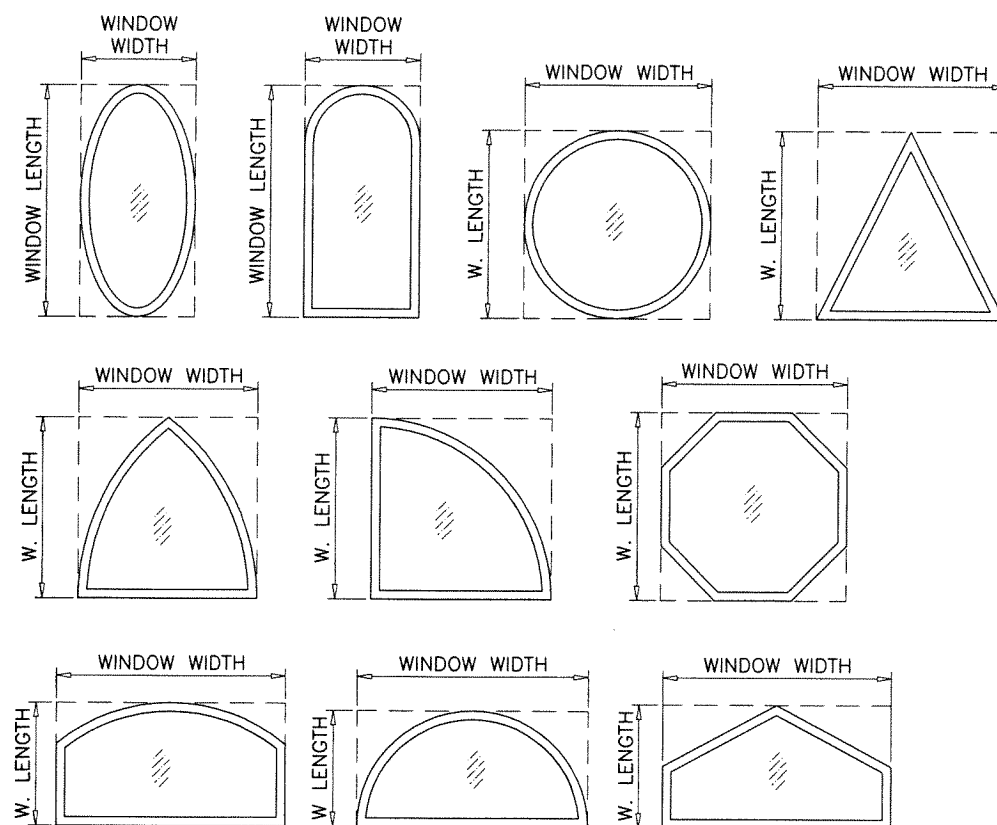
date: 05-04-21  
scale: 1/2"=1'-0"  
dr. by: TARIQ  
chk. by:   
drawing no. **21-39D**  
sheet 1 of 5

DESIGN LOAD CAPACITY - PSF			
FRAME DIMS.		5/16" LAM. GLASS	
WIDTH	HEIGHT	EXT.(+)	1NT.(-)
19-1/8"	26"	60.0	60.0
26-1/2"		60.0	60.0
37"		60.0	60.0
53-1/8"	38-3/8"	60.0	60.0
19-1/8"		60.0	60.0
26-1/2"		60.0	60.0
37"	50-5/8"	60.0	60.0
53-1/8"		60.0	60.0
53-1/8"		56.9	56.9
19-1/8"	56"	60.0	60.0
26-1/2"		60.0	60.0
37"		60.0	60.0
53-1/8"	63"	54.2	54.2
19-1/8"		60.0	60.0
26-1/2"		60.0	60.0
37"	72"	60.0	60.0
53-1/8"		60.0	60.0
53-1/8"		60.0	60.0
19-1/8"	76"	60.0	60.0
26-1/2"		60.0	60.0
37"		60.0	60.0

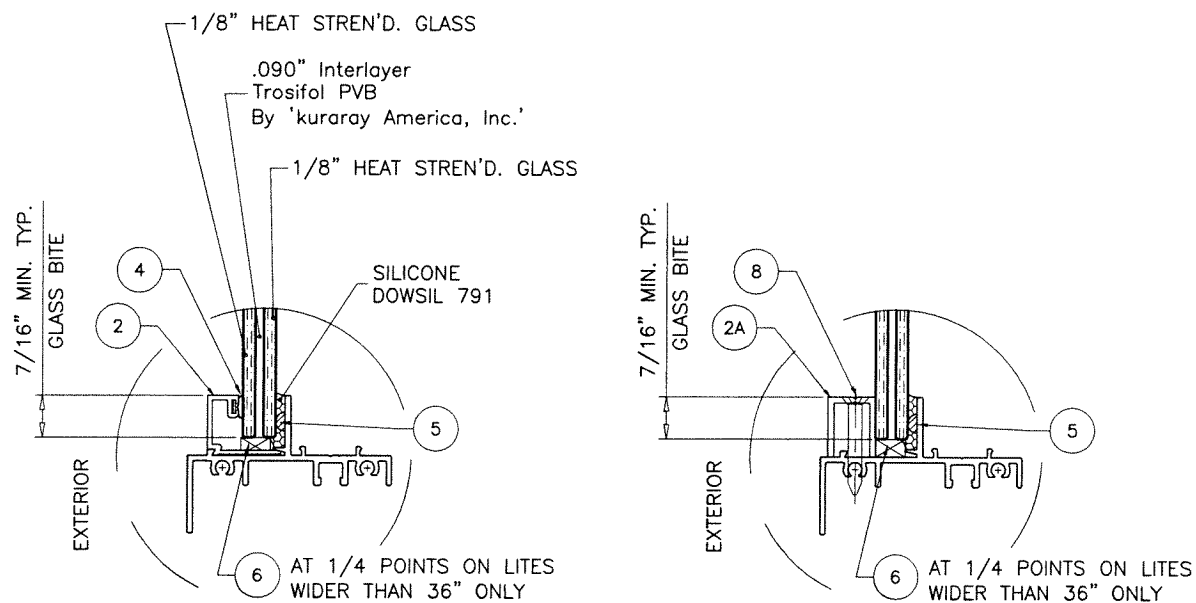
DESIGN LOAD CAPACITY - PSF				
FRAME DIMS.		5/16" LAM. GLASS		
WIDTH	HEIGHT	EXT.(+)	1NT.(-)	
24"	48"	60.0	60.0	
30"		60.0	60.0	
32"		60.0	60.0	
36"		60.0	60.0	
42"		60.0	60.0	
48"		60.0	60.0	
54"	60"	60.0	60.0	
60"		60.0	60.0	
24"		72"	60.0	60.0
30"			60.0	60.0
32"			60.0	60.0
36"			60.0	60.0
42"	60.0		60.0	
48"	60.0		60.0	
24"	76"	60.0	60.0	
30"		60.0	60.0	
32"		60.0	60.0	
36"		60.0	60.0	
42"		60.0	60.0	
48"		60.0	60.0	
24"	78"	60.0	60.0	
30"		60.0	60.0	
32"		60.0	60.0	
36"		60.0	60.0	
42"		60.0	60.0	
48"		60.0	60.0	
24"	84"	60.0	60.0	
30"		60.0	60.0	
32"		60.0	60.0	
36"		60.0	60.0	
42"		60.0	60.0	
48"		60.0	60.0	
24"	96"	60.0	60.0	
30"		60.0	60.0	
32"		60.0	60.0	
36"		60.0	60.0	
42"		60.0	60.0	
48"		60.0	60.0	
24"	104"	60.0	60.0	
30"		60.0	60.0	
32"		60.0	60.0	
36"		60.0	60.0	
42"		60.0	60.0	
48"		60.0	60.0	



NOTE:  
WIDTH AND LENGTH DIMENSIONS CAN BE  
ORIENTED VERTICALLY OR HORIZONTALLY  
AS SHOWN ABOVE.

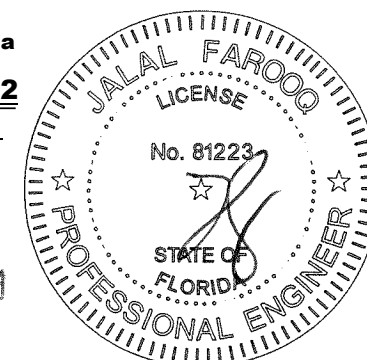


ALLOWABLE LOADS FOR ALTERNATE SHAPES AS SHOWN ABOVE OR SIMILAR CAN BE  
VERIFIED BY INSCRIBING PICTURE WINDOW SHAPE WITHIN SQUARE OR RECTANGLE AS  
SHOWN IN DOTTED LINES AND OBTAINING ALLOWABLE LOADS FROM THOSE SHAPES.



**GLAZING DETAILS**  
5/16" OVERALL LAM. GLASS

**PRODUCT APPROVED**  
as complying with the Florida  
Building Code  
NOA-No. **21-0510.02**  
Approval Date: **06/03/2021**  
By: *Manuel Perez*  
Miami-Dade Product Control



MAY 06 2021

NOTE:  
GLASS CAPACITIES ON THIS SHEET ARE  
BASED ON ASTM E1300-09 (3 SEC. GUSTS).

**af c**

**AL-FAROOQ CORPORATION**  
ENGINEERS & PRODUCT DEVELOPMENT  
9360 SUNSET DRIVE, SUITE 220  
MIAMI, FLORIDA 33173  
TEL. (305) 264-8100 FAX. (305) 262-6978  
COMP-ANL 21-39D-ECO

SERIES-70 ALUMINUM FIXED WDW. (L.M.I.)

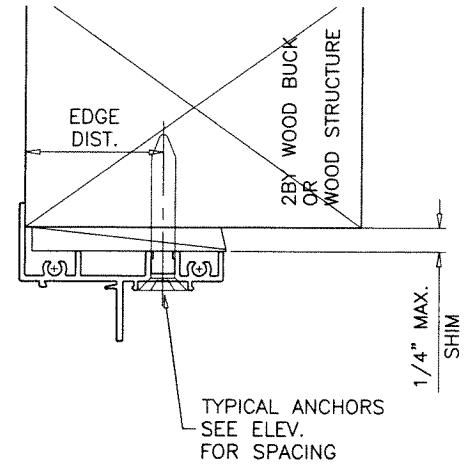
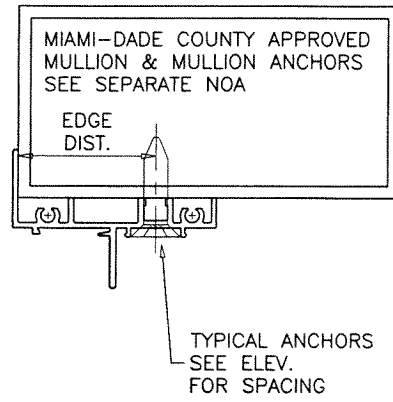
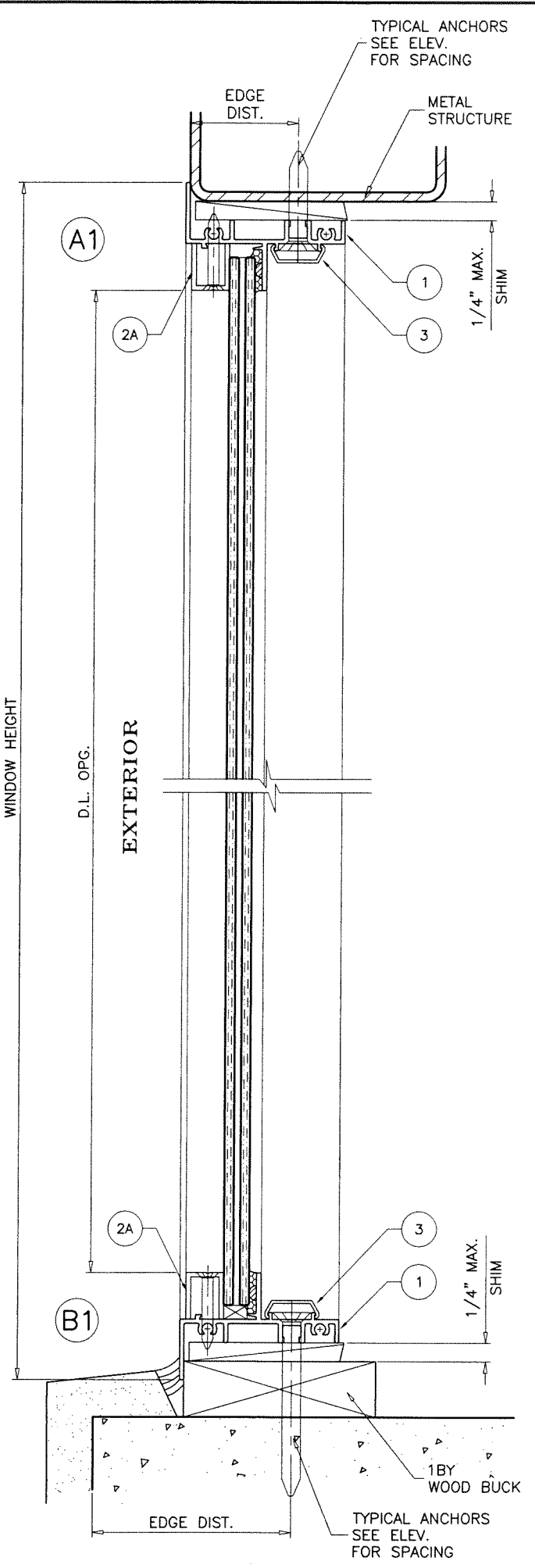
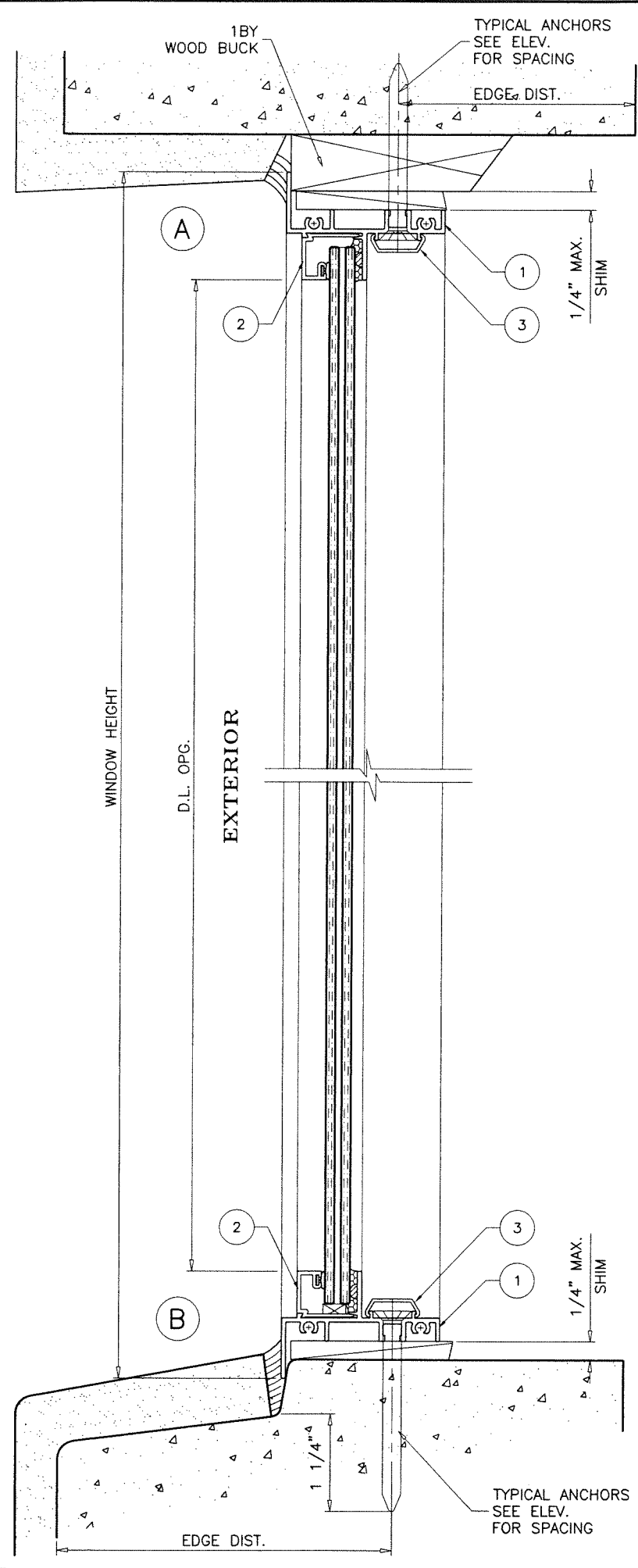
**ECO WINDOW SYSTEMS, LLC.**  
8502 N.W. 80th STREET  
MEDLEY, FL. 33166  
TEL. (305) 885-5299 FAX (305) 885-5902

revisions:	no	date	by	description

date: 05-04-21  
scale: 1/2" = 1"  
dr. by: TARIQ  
chk. by:

drawing no.  
**21-39D**

sheet 2 of 5

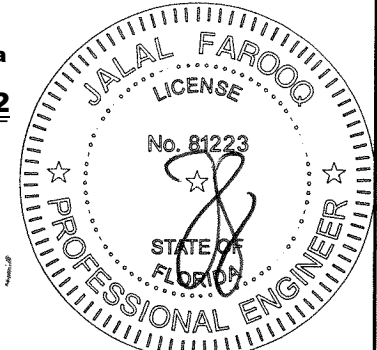


WOOD BUCKS AND METAL STRUCTURE NOT BY 'ECO WDW.' MUST SUSTAIN LOADS IMPOSED BY GLAZING SYSTEM AND TRANSFER THEM TO THE BUILDING STRUCTURE.

**TYPICAL ANCHORS:** SEE ELEV. FOR SPACING  
**1/4" DIA. ULTRACON+ BY 'DEWALT'** (Fu=164 KSI, Fy=148 KSI) INTO 2BY WOOD BUCKS OR WOOD STRUCTURES 1-1/2" MIN. PENETRATION INTO WOOD (HEAD/SILL/JAMBS) THRU 1BY BUCKS INTO CONC. OR BLOCKS 1-1/4" MIN. EMBED INTO CONCRETE (HEAD/SILL/JAMBS) 1-1/4" MIN. EMBED INTO BLOCKS (JAMBS) DIRECTLY INTO CONCRETE OR BLOCKS 1-1/4" MIN. EMBED INTO CONCRETE (HEAD/SILL/JAMBS) 1-1/4" MIN. EMBED INTO BLOCKS (JAMBS)  
**1/4" DIA. TEKS OR SELF DRILLING SCREWS** (GRADE 5 CRS) INTO MIAMI-DADE COUNTY APPROVED MULLIONS OR INTO METAL STRUCTURES (HEAD/SILL/JAMBS) (3) THREADS MIN. TO EXTEND BEYOND METAL THICKNESS ALUMINUM: 1/8" THK. MIN. (6063-T5 MIN.) STEEL: 1/8" THK. MIN. (Fy = 36 KSI MIN.) (STEEL IN CONTACT WITH ALUMINUM TO BE PLATED OR PAINTED)  
**TYPICAL EDGE DISTANCE**  
 INTO CONCRETE AND BLOCKS = 2-1/2" MIN.  
 INTO WOOD STRUCTURE = 1" MIN.  
 INTO METAL STRUCTURE = 3/4" MIN.  
 WOOD AT HEAD, SILL OR JAMBS SG = 0.55 MIN.  
 CONCRETE AT HEAD, SILL OR JAMBS f'c = 3000 PSI MIN.  
 C-90 HOLLOW/FILLED BLOCK AT JAMBS f'm = 2000 PSI MIN.

**PRODUCT APPROVED**  
 as complying with the Florida Building Code  
 NOA-No. **21-0510.02**  
 Approval Date: **06/03/2021**  
 By: *Manuel Perez*  
 Miami-Dade Product Control

MAY 06 2021

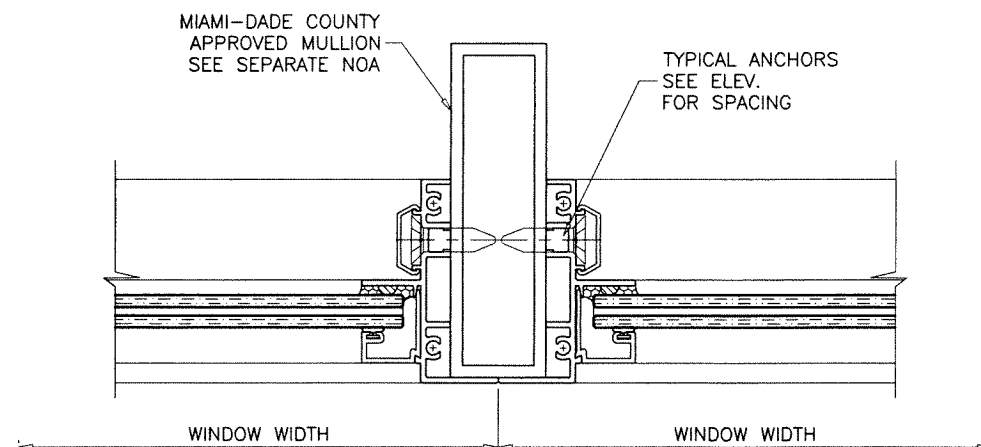
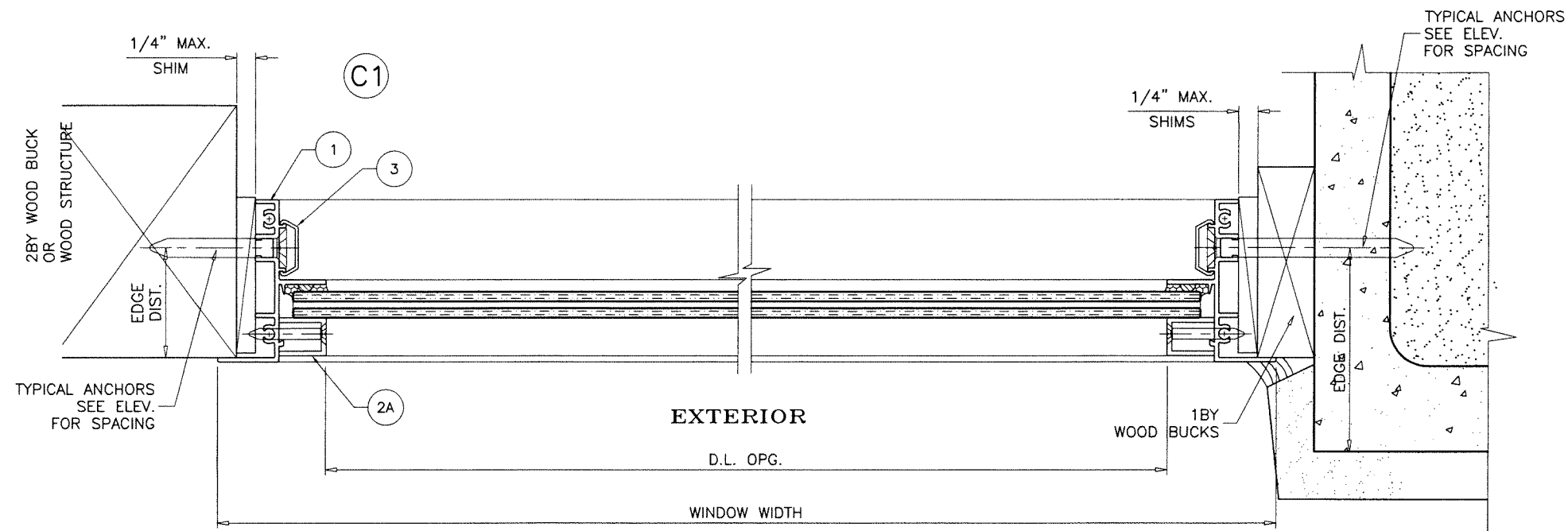
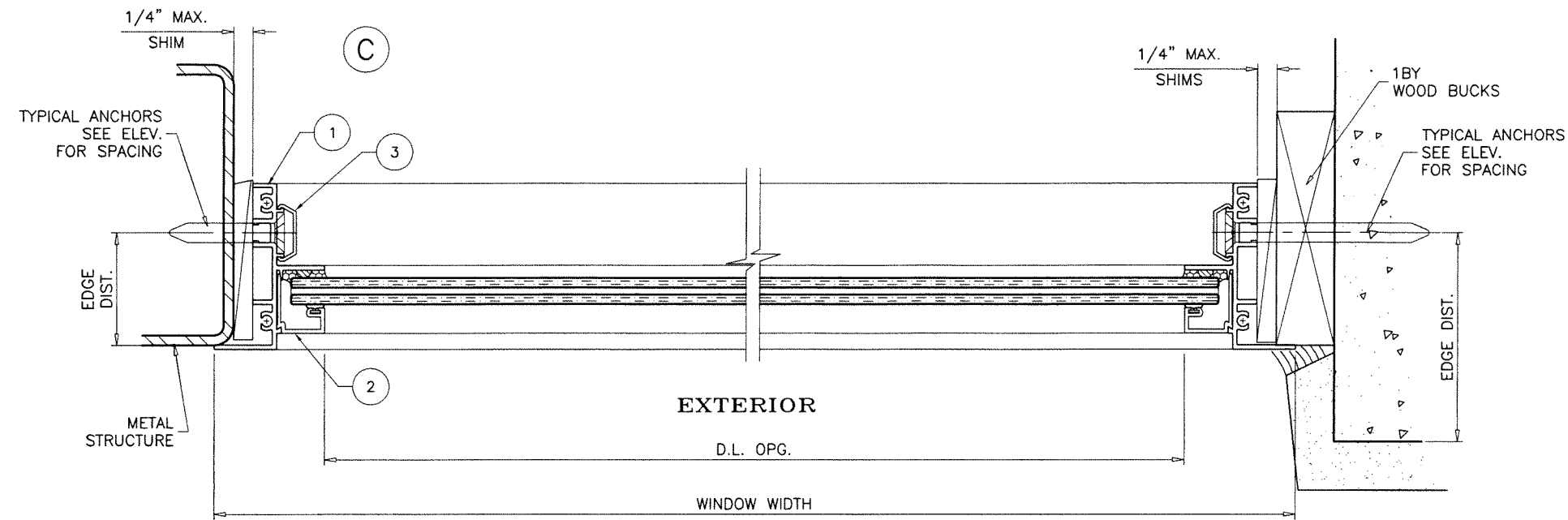


**af c**  
**AL-FAROOQ CORPORATION**  
 ENGINEERS & PRODUCT DEVELOPMENT  
 9360 SUNSET DRIVE, SUITE 220  
 MIAMI, FLORIDA 33173 (C.A.N. 3538)  
 TEL. (305) 264-8100 FAX. (305) 262-6978  
 COMP-ANL 21-39D-ECO

SERIES-70 ALUMINUM FIXED WDW. (L.M.I.)  
**ECO WINDOW SYSTEMS, LLC.**  
 8502 N.W. 80th STREET  
 MEDLEY, FL. 33166  
 TEL. (305) 885-5299 FAX (305) 885-5902

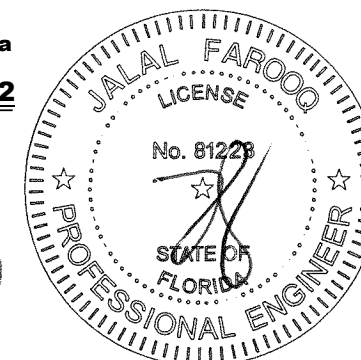
revisions:	no	date	by	description

date: 05-04-21 scale: 1/2" = 1" dr. by: TARIQ chk. by:  
 drawing no. **21-39D**  
 sheet 3 of 5



**PRODUCT APPROVED**  
 as complying with the Florida  
 Building Code  
 NOA-No. **21-0510.02**  
 Approval Date: **06/03/2021**  
 By: *Manuel Perez*  
 Miami-Dade Product Control

MAY 06 2021

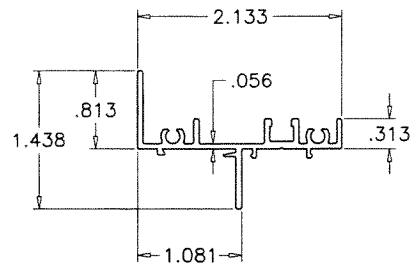


**af c**  
**AL-FAROOQ CORPORATION**  
 ENGINEERS & PRODUCT DEVELOPMENT  
 9360 SUNSET DRIVE, SUITE 220 (C.A.N. 3538)  
 MIAMI, FLORIDA 33173  
 TEL. (305) 264-8100 FAX. (305) 262-6978  
 COMP-ANL\21-39D-ECO

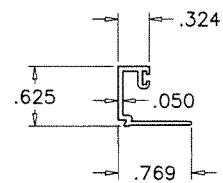
SERIES-70 ALUMINUM FIXED WDW. (L.M.I.)  
**ECO WINDOW SYSTEMS, LLC.**  
 8502 N.W. 80th STREET  
 MEDLEY, FL. 33166  
 TEL. (305) 885-5299 FAX (305) 885-5902

revisions:		date	by	description
no	date			

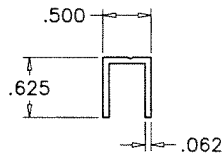
date: 05-04-21  
 scale: 1/2" = 1"  
 dr. by: TARIQ  
 chk. by:   
 drawing no.  
**21-39D**  
 sheet 4 of 5



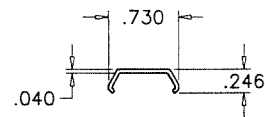
① WINDOW FRAME



② GLAZING BEAD  
(RECT. OR SQUARE WDW.)



②A GLAZING BEAD  
(CIRCULAR WDW.)

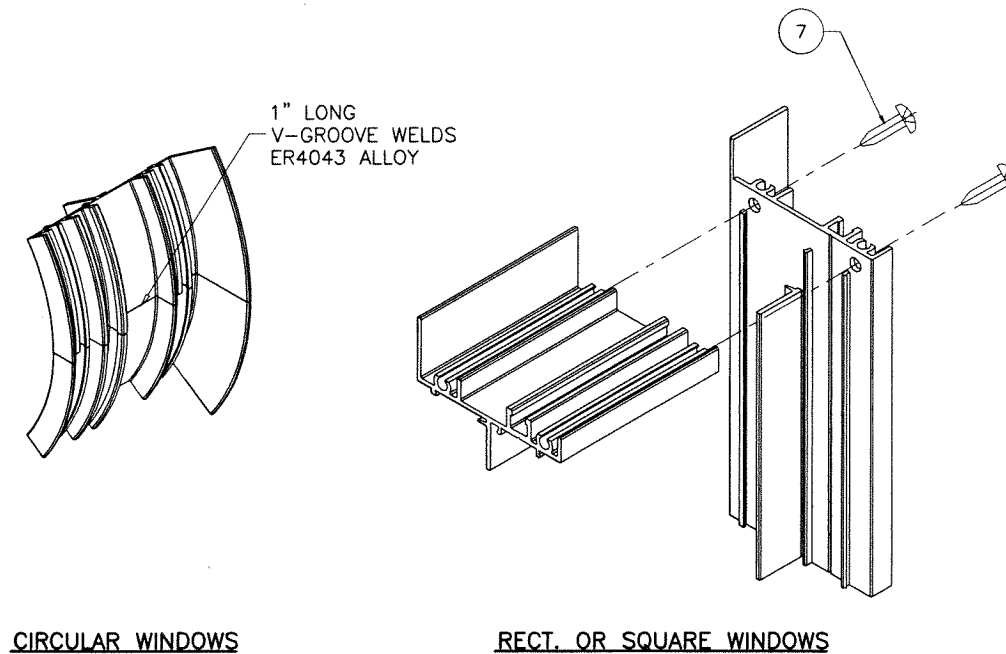


③ SCREW COVER

ITEM	PART #	QUANTITY	DESCRIPTION	MATERIAL	MANF./SUPPLIER/REMARKS
1	E71	4	WINDOW FRAME	6063-T6	-
2	E58	4	GLAZING BEAD (RECT. OR SQUARE WDW.)	6063-T6	-
2A	E72	4	GLAZING BEAD (CIRCULAR WDW.)	6063-T6	-
3	E162	AS REQD.	SCREW COVER	RIGID PVC	-
4	E203	AS REQD.	GLAZING BEAD BULB	SANTOPRENE	ULTRAFAB, DUROMETER 65±5
5	FLB-50	AS REQD.	GLASS SPACER	SILICONE	FRANK LOWE
6	-	2/ LITE	SETTING BLOCK	EPDM	DUROMETER 80±5 SHORE A
7	#8 X 1"	AS REQD.	FRAME ASSEMBLY SCREWS	ST/ST	P.H. SMS
8	#8 X 1"	AS REQD.	GLAZING BEAD FASTENERS, AT 3" FROM ENDS & 12" O.C.	ST/ST	F.H. SMS

**SEALANT:**

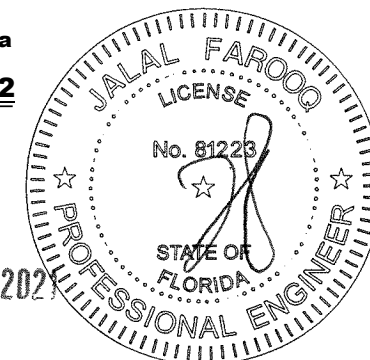
ALL JOINTS AND FRAME CONNECTIONS SEALED WITH JOINT SEALER.



CIRCULAR WINDOWS

RECT. OR SQUARE WINDOWS

**PRODUCT APPROVED**  
as complying with the Florida  
Building Code  
NOA-No. **21-0510.02**  
Approval Date: **06/03/2021**  
By: *Manuel Perez*  
Miami-Dade Product Control



MAY 06 2021

**af c**  
**AL-FAROOQ CORPORATION**  
ENGINEERS & PRODUCT DEVELOPMENT  
9360 SUNSET DRIVE, SUITE 220  
MIAMI, FLORIDA 33173 (C.A.N. 3538)  
TEL. (305) 264-8100 FAX. (305) 262-6978  
COMP-ANL\21-39D-ECO

SERIES-70 ALUMINIUM FIXED WDW. (L.M.I.)  
**ECO WINDOW SYSTEMS, LLC.**  
8502 N.W. 80th STREET  
MEDLEY, FL. 33166  
TEL. (305) 885-5299 FAX (305) 885-5902

revisions:	no	date	by	description
date:	05-04-21	scale:	1/2" = 1"	
dr. by:	TARIQ	chk. by:		
drawing no.	21-39D			
sheet	5 of 5			