



DEPARTMENT OF REGULATORY AND ECONOMIC RESOURCES (RER)  
BOARD AND CODE ADMINISTRATION DIVISION

**NOTICE OF ACCEPTANCE (NOA)**

MIAMI-DADE COUNTY  
PRODUCT CONTROL SECTION  
11805 SW 26 Street, Room 208  
Miami, Florida 33175-2474  
T (786) 315-2590 F (786) 315-2599  
[www.miamidade.gov/economy](http://www.miamidade.gov/economy)

**Clopay Corporation  
8585 Duke Boulevard  
Mason, OH 45040**

**SCOPE:**

This NOA is being issued under the applicable rules and regulations governing the use of construction materials. The documentation submitted has been reviewed and accepted by Miami-Dade County RER-Product Control Section to be used in Miami-Dade County and other areas where allowed by the Authority Having Jurisdiction (AHJ).

This NOA shall not be valid after the expiration date stated below. The Miami-Dade County Product Control Section (In Miami-Dade County) and/or the AHJ (in areas other than Miami-Dade County) reserve the right to have this product or material tested for quality assurance purposes. If this product or material fails to perform in the accepted manner, the manufacturer will incur the expense of such testing and the AHJ may immediately revoke, modify, or suspend the use of such product or material within their jurisdiction. RER reserves the right to revoke this acceptance, if it is determined by Miami-Dade County Product Control Section that this product or material fails to meet the requirements of the applicable building code.

This product is approved as described herein and has been designed to comply with the Florida Building Code, including the High Velocity Hurricane Zone.

**DESCRIPTION: 2” Gallery EPS Insulated W8 DP54 Steel Sectional Garage Door up to 9’-0” Wide w/ Optional Impact Resistant Lites**

**APPROVAL DOCUMENT:** Drawing No. **104119**, titled “Gallery 2” EPS Single Car +54/-60 PSF”, sheet 1 through 4 of 4, dated 07/08/2008, with revision **08** dated 09/06/2023, prepared by Clopay Building Products Company, signed and sealed by Scott Hamilton, P.E., bearing the Miami-Dade County Product Control revision stamp with the Notice of Acceptance number and expiration date by the Miami-Dade County Product Control Section.

**MISSILE IMPACT RATING: Large and Small Missile Impact Resistant**

**LABELING:** A permanent label with the manufacturer’s name or logo, manufacturing address, model number, the positive and negative design pressure rating, indicate impact rated if applicable, installation instruction drawing reference number, approval number (NOA), the applicable test standards, and the statement reading ‘Miami-Dade County Product Control Approved’ is to be located on the door’s side track, bottom angle, or inner surface of a panel.

**RENEWAL** of this NOA shall be considered after a renewal application has been filed and there has been no change in the applicable building code negatively affecting the performance of this product.

**TERMINATION** of this NOA will occur after the expiration date or if there has been a revision or change in the materials, use, and/or manufacture of the product or process. Misuse of this NOA as an endorsement of any product, for sales, advertising or any other purposes shall automatically terminate this NOA. Failure to comply with any section of this NOA shall be cause for termination and removal of NOA.

**ADVERTISEMENT:** The NOA number preceded by the words Miami-Dade County, Florida, and followed by the expiration date may be displayed in advertising literature. If any portion of the NOA is displayed, then it shall be done in its entirety.

**INSPECTION:** A copy of this entire NOA shall be provided to the user by the manufacturer or its distributors and shall be available for inspection at the job site at the request of the Building Official.

This NOA **revises NOA # 20-0922.42** and consists of this page 1 and evidence pages E-1, E-2 and E3, as well as approval document mentioned above.

The submitted documentation was reviewed by **Carlos M. Utrera, P.E.**



**NOA-No 23-0928.68**  
**Expiration Date: December 16, 2024**  
**Approval Date: November 02, 2023**  
Page 1

**NOTICE OF ACCEPTANCE: EVIDENCE SUBMITTED**

**1. EVIDENCE SUBMITTED UNDER PREVIOUS NOA's**

**A. DRAWINGS**

1. Drawing No. **104119**, titled "Gallery 2" EPS Single Car +54/-60 PSF", sheet 1 through 4 of 4, dated 07/08/2008, with revision **05** dated 2/2015, prepared by Clopay Building Products Company, signed and sealed by Scott Hamilton, P.E. **"Submitted under NOA # 15-0225.24"**
2. Drawing No. **104119**, titled "Gallery 2" EPS Single Car +54/-60 PSF", sheet 1 through 4 of 4, dated 07/08/2008, with revision **06** dated 7/2017, prepared by Clopay Building Products Company, signed and sealed by Scott Hamilton, P.E. **"Submitted under NOA # 17-1016.21"**

**B. TESTS**

1. Test reports on
  - 1) Uniform Static Air Pressure Test, Loading per FBC TAS 202-94
  - 2) Large Missile Impact Test per FBC, TAS 201-94
  - 3) Cyclic Wind Pressure Loading per FBC, TAS 203-94
  - 4) Forced Entry Test, per FBC, TAS 202-94
  - 5) Tensile Test per ASTM E8Along with marked-up drawings and installation diagram of 9'x 8', 27ga steel garage door Model GD2LP with Lexan MR10 windows, prepared by American Test Lab, Inc., Test Report No. **ATLNC 0326.01-13**, dated 05/01/2013, signed and sealed by David W. Johnson, P.E. **"Submitted under NOA # 14-0514.05"**
2. Test reports on
  - 1) Uniform Static Air Pressure Test, Loading per FBC TAS 202-94
  - 2) Large Missile Impact Test per FBC, TAS 201-94
  - 3) Cyclic Wind Pressure Loading per FBC, TAS 203-94
  - 4) Forced Entry Test, per FBC, TAS 202-94
  - 5) Tensile Test per ASTM E8Along with marked-up drawings and installation diagram of 16'2"x 8', 27ga steel garage door Model GD2LPW8 with MAK SL and/or MAK 15 windows, prepared by American Test Lab, Inc., Test Report No. **ATLNC 1105-01-13**, dated 01/14/2014, signed and sealed by David W. Johnson, P.E. **"Submitted under NOA # 14-0514.05"**
3. Test reports on
  - 1) Uniform Static Air Pressure Test, Loading per FBC TAS 202-94
  - 2) Large Missile Impact Test per FBC, TAS 201-94
  - 3) Cyclic Wind Pressure Loading per FBC, TAS 203-94
  - 4) Forced Entry Test, per FBC, TAS 202-94
  - 5) Tensile Test per ASTM E8Along with marked-up drawings and installation diagram of a 9'x 8', 27ga, Series Gallery, Model GD2SP steel garage door, prepared by American Test Lab, Inc., Test Report No. **ATLNC 0428.01-09**, dated 06/03/2009, signed and sealed by David W. Johnson, P.E. **"Submitted under NOA # 09-0929.10"**
3. Test report on Salt Spray per ASTM B117 of painted G40 galvanized coated panels, prepared by Stork Materials Technology, Test Report No. **30160-04-63365**, dated 01/26/2005, signed by John D. Lee, P.E. **"Submitted under NOA # 09-0929.10"**

**C. CALCULATIONS**

1. Jamb anchor calculations, prepared by Clopay Building Products Company, dated 09/04/2009, signed and sealed by Scott Hamilton, P.E. **"Submitted under NOA # 09-0929.10"**



**Carlos M. Utrera, P.E.**  
**Product Control Examiner**  
**NOA-No 23-0928.68**

**Expiration Date: December 16, 2024**  
**Approval Date: November 02, 2023**

**Clopay Corporation**

**NOTICE OF ACCEPTANCE: EVIDENCE SUBMITTED**

**C. CALCULATIONS (continue)**

2. Jamb anchor calculations, prepared by Clopay Building Products Company, dated 04/11/2014, signed and sealed by Scott Hamilton, P.E. ***“Submitted under NOA # 14-0514.05”***

**D. QUALITY ASSURANCE**

1. Miami-Dade Department of Regulatory and Economic Resources (RER)

**E. MATERIAL CERTIFICATIONS**

1. Notice of Acceptance No. **15-0915.08** issued to SABIC Innovative Plastics for their Lexan Polycarbonate Sheet Products, approved on 11/28/2013, expiring on 07/17/2018.
2. Notice of Acceptance No. **17-0410.01** issued to Bayer Material Science LLC (MA) for their Makrolon Polycarbonate Sheets, approved on 12/06/2012, expiring on 08/27/2022.
3. Test report on Surface Burning Characteristics, per ASTM E84 of Premier Industries’ Type I EPS, Report No. **3082960-500**, prepared by Intertek Testing Services, NA, Inc., dated 10/04/2005, signed by Javier Trevino
4. Test report on Ignition Properties of Plastics per ASTM D1929 of Premier Industries’ Type I EPS, Report No. **3082959-500**, prepared by Intertek Testing Services, NA, Inc., dated 09/16/2005, signed by C. Anthony Peñaloza.
5. Test report on Surface Burning Characteristics, per ASTM E84 of Falcon’s Type I EPS, Report No. **3094867SAT-001**, prepared by Intertek Testing Services, NA, Inc., dated 04/13/2006, signed by C. Anthony Peñaloza.
6. Test report on Ignition Properties of Plastics per ASTM D1929 of Falcon’s Type I EPS, Report No. **3094867SAT-002**, prepared by Intertek Testing Services, NA, Inc., dated 04/04/2006, signed by C. Anthony Peñaloza.

**F. STATEMENTS**

1. Statement letter of code conformance to **6<sup>th</sup> Edition (2017) FBC**, issued by Clopay Building Products Company, dated 10/04/2017, signed and sealed by Scott Hamilton, P.E. ***“Submitted under NOA # 17-1016.21”***

**2. EVIDENCE SUBMITTED UNDER NOA # 20-0922.42**

**A. DRAWINGS**

1. Drawing No. **104119**, titled “Gallery 2” EPS Single Car +54/-60 PSF”, sheet 1 through 4 of 4, dated 07/08/2008, with revision **07** dated 08/28/2020, prepared by Clopay Building Products Company, dated 09/09/2019, signed and sealed by Scott Hamilton, P.E.

**B. TESTS**

1. None.

**C. CALCULATIONS**

1. None.

**D. QUALITY ASSURANCE**

1. Miami-Dade Department of Regulatory and Economic Resources (RER).



**Carlos M. Utrera, P.E.**  
**Product Control Examiner**  
**NOA-No 23-0928.68**

**Expiration Date: December 16, 2024**  
**Approval Date: November 02, 2023**

**Clopay Corporation**

**NOTICE OF ACCEPTANCE: EVIDENCE SUBMITTED**

**E. MATERIAL CERTIFICATIONS**

1. None.

**F. STATEMENTS**

1. Statement letter of code conformance to **7<sup>th</sup> Edition (2020) FBC**, issued by Clopay Building Products Company, dated 09/15/2020, signed and sealed by Scott Hamilton, P.E.

**3. NEW EVIDENCE SUBMITTED**

**A. DRAWINGS**

1. Drawing No. **104119**, titled “Gallery 2” EPS Single Car +54/-60 PSF”, sheet 1 through 4 of 4, dated 07/08/2008, with revision **08** dated 09/06/2023, prepared by Clopay Building Products Company, signed and sealed by Scott Hamilton, P.E.

**B. TESTS**

1. None.

**C. CALCULATIONS**

1. None.

**D. QUALITY ASSURANCE**

1. Miami-Dade Department of Regulatory and Economic Resources (RER).

**E. MATERIAL CERTIFICATIONS**

1. None.

**F. STATEMENTS**

1. Statement letter of code conformance to **8<sup>th</sup> Edition (2023) FBC**, issued by Clopay Building Products Company, dated 09/15/2023, signed and sealed by Scott Hamilton, P.E.



---

**Carlos M. Utrera, P.E.**  
**Product Control Examiner**  
**NOA-No 23-0928.68**  
**Expiration Date: December 16, 2024**  
**Approval Date: November 02, 2023**

MODELS	SHORT	LONG
CLOPAY GALLERY	GD2SP, GR2SP	GD2LP, GR2LP
HOLMES ARTISTRY	AR2SP	AR2LP
IDEAL EXPRESSIONS	ED2SP	ED2LP

CYPRESS MODELS	FLUSH
CLOPAY	4302, HDGC
HOLMES	6202
IDEAL	SFC68

SHEET:  
1 OF 4

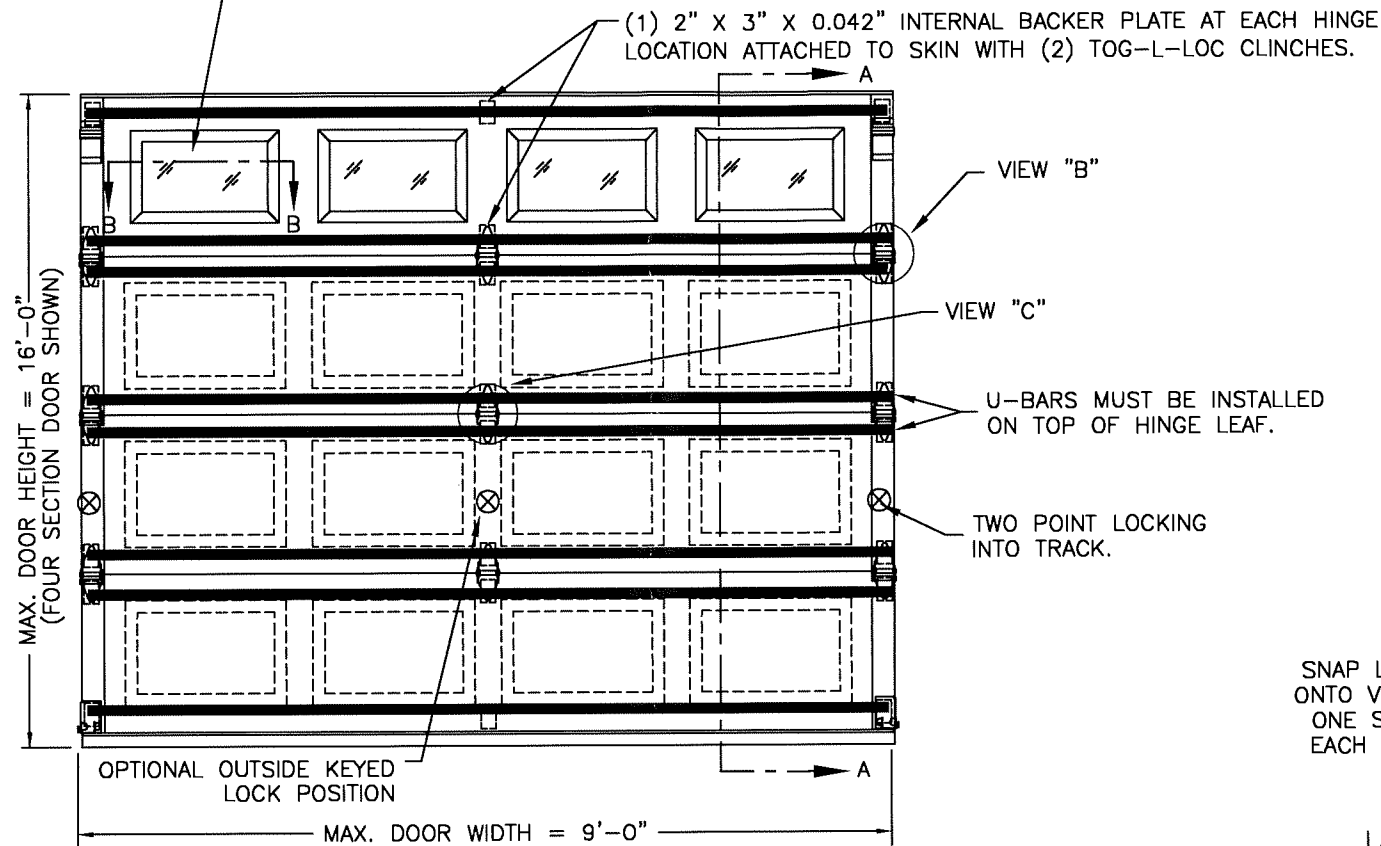
REVISIONS					
REV. NO.	ZONE:	DATE:	ECN NO.	APPVD:	DESCRIPTION
05	-	2/2015	-	SH	ADDED CODE COMPLIANCE STATEMENT.
06	-	7/2017	-	SH	UPDATED CODE COMPLIANCE STATEMENT TO ADD 6TH EDITION FBC.
07	-	8/28/20	-	SH	UPDATED TITLE BLOCK AND CODE COMPLIANCE STATEMENT TO 7TH
08	-	9/6/23	-	JDW	UPDATED CODE COMPLIANCE STATEMENT TO ADD 8TH EDITION FBC

DOOR HEIGHT	# OF SECTIONS
UP TO 6'0"	3
6'3" TO 8'0"	4
8'3" TO 10'0"	5
10'3" TO 12'0"	6
12'3" TO 14'0"	7
14'3" TO 16'0"	8
MAX SECTION HEIGHT: 24'	

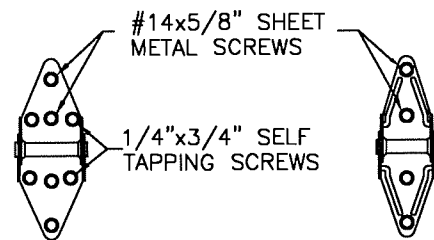
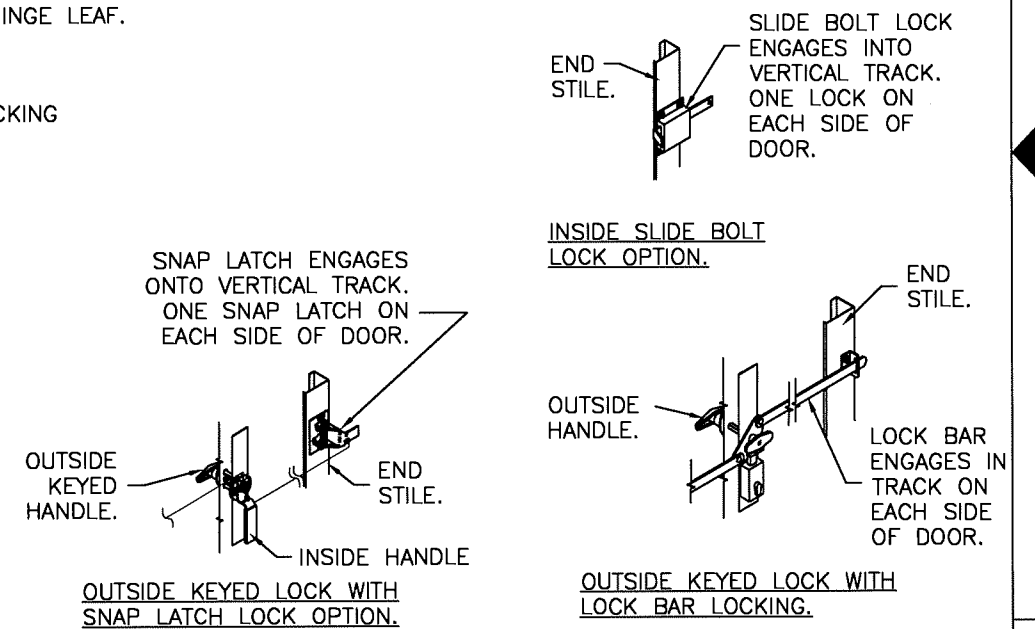
DOOR WIDTH	# OF INTERM. HINGES/JOINT
6'2" TO 7'6"	2
7'8" TO 9'0"	1

OPTIONAL GLAZING SHALL BE IMPACT RESISTANT GLAZING. MAXIMUM GLAZING SIZE (DLO) IS 38-1/2"x13". GLAZING MAY BE SHORT-PANEL (SHOWN) OR LONG-PANEL (NOT SHOWN). SEE SECTION B-B ON SHEET 2 FOR DETAILS. GLAZING MAY BE INSTALLED IN TOP SECTION (SHOWN) OR INTERMEDIATE SECTION (NOT SHOWN).

THIS PRODUCT CONFORMS TO THE REQUIREMENTS OF 7TH AND 8TH EDITION OF THE FLORIDA BUILDING CODE



SHORT PANEL SHOWN. LONG PANEL AND FLUSH ALSO AVAILABLE.



14 GA. END HINGES 18 GA. INTERMEDIATE HINGE  
VIEW "B" VIEW "C"

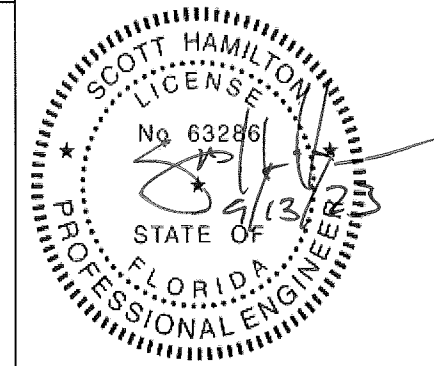
**PRODUCT REVISED**  
as complying with the Florida Building Code  
NOA-No. 23-0928.68  
Expiration Date 12/16/2024  
By *[Signature]*  
Miami-Dade Product Control

DESIGN LOADS: +54.0 P.S.F. & -60.0 P.S.F.

Unless Stated Otherwise  
TOLERANCES are  
.0 = ±.031  
.00 = ±.015  
.000 = ±.005  
.0000 = ±.001  
Degrees = ±1/2"  
Unless Stated Otherwise  
DIMENSIONS ARE IN INCHES.

**Clopay** CORPORATION  
8585 Duke Boulevard  
Mason, OH 45040 USA  
Tel. No. 513-770-4800  
Fax No. 513-770-4853

DESCRIPTION: GALLERY 2" EPS SINGLE CAR +54/-60 PSF			
DRAWN BY: BFA	DATE: 7/8/08	SCALE: NTS	DWG. SIZE B
CHECKED BY: --	DATE: --	SHEET 1 OF 4	
DWG. NO.: 104119		VER: MD	



DESIGN ENGINEER:  
SCOTT HAMILTON, P.E.  
FLORIDA LICENSE No. 63286

MANUFACTURING PRODUCT CODE  
DSIE-1F471  
PART NO.: N/A

WINDLOAD RATING  
W8 DP54

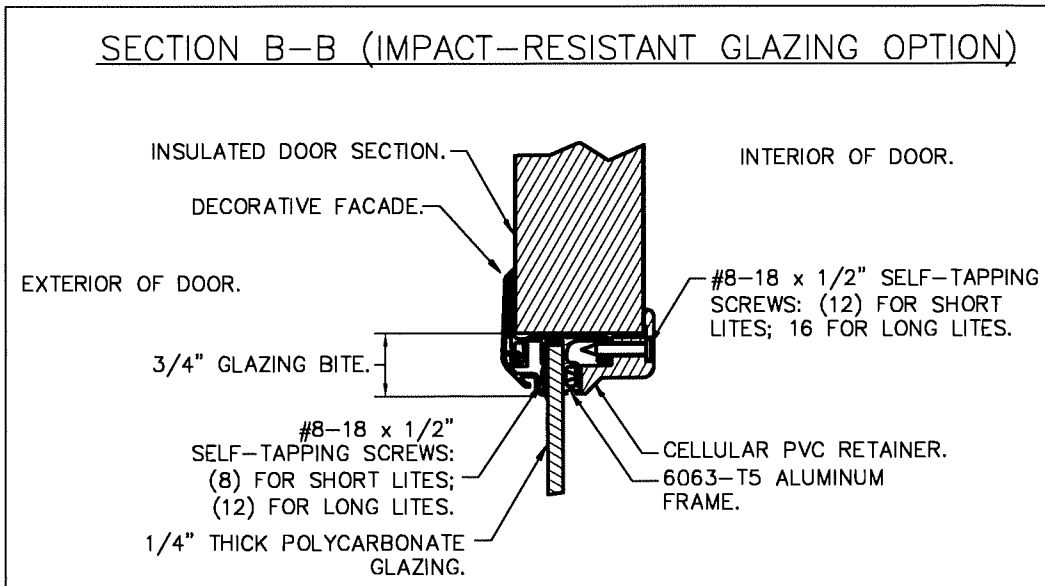
MODELS	SHORT	LONG
CLOPAY GALLERY	GD2SP, GR2SP	GD2LP, GR2LP
HOLMES ARTISTRY	AR2SP	AR2LP
IDEAL EXPRESSIONS	ED2SP	ED2LP

CYPRESS MODELS	FLUSH
CLOPAY	4302, HDGC
HOLMES	6202
IDEAL	SFC68

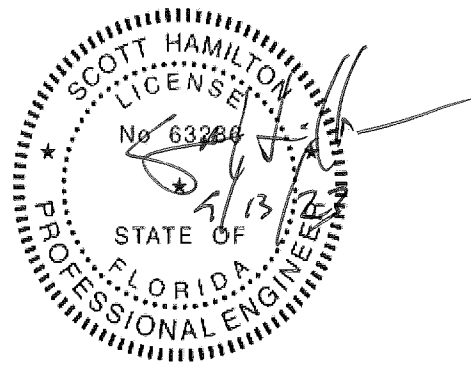
SHEET:  
2 OF 4

REVISIONS					
REV. NO.	ZONE	DATE	ECN NO.	APPVD:	DESCRIPTION
08	-	-	-	-	SEE REVISION HISTORY ON SHEET ONE.

**IMPACT-RESISTANT CONSTRUCTION:**  
 SOLID DOORS (NO GLAZING) OR DOORS WITH OPTIONAL IMPACT-RESISTANT GLAZING ARE IMPACT-RESISTANT. OPTIONAL IMPACT RESISTANT ASSEMBLY CONSISTS OF ALUMINUM FRONT FRAME AND SABIC IP LEXAN 9034 (VERSIONS ALSO APPROVED: MR10, 9030, 90318, 90316, 90317, 90311, 90314, 90355) OR BAYER MAKROLON GP (VERSIONS ALSO APPROVED: SL, AR, 15), APPROVED CC1 PLASTICS IN ACCORDANCE WITH IBC/FBC 2606 AND APPROVED C1 PLASTICS IN ACCORDANCE WITH FBC 2612. THE ENTIRE DOOR ASSEMBLY INSTALLED IN COMPLIANCE WITH THIS SECTION MEETS THE WIND LOAD REQUIREMENTS OF THE FLORIDA BUILDING CODE AND INTERNATIONAL BUILDING CODE AND IS LARGE- AND SMALL-MISSILE IMPACT RESISTANT.



**IMPACT-RESISTANT GLAZING DETAILS**



DESIGN ENGINEER:  
 SCOTT HAMILTON, P.E.  
 FLORIDA LICENSE No. 63286

**PRODUCT REVISED**  
 as complying with the Florida Building Code  
 NOA-No. 23-0928.68  
 Expiration Date 12/16/2024  
 By *[Signature]*  
 Miami-Dade Product Control

DESIGN LOADS: +54.0 P.S.F. & -60.0 P.S.F.

Unless Stated Otherwise  
 TOLERANCES are  
 .0 = ±.031  
 .00 = ±.015  
 .000 = ±.005  
 .0000 = ±.001  
 Degrees = ±1/2"  
 Unless Stated Otherwise  
 DIMENSIONS ARE IN INCHES.

**Glopay CORPORATION**  
 8585 Duke Boulevard  
 Mason, OH 45040 USA  
 Tel. No. 513-770-4800  
 Fax No. 513-770-4853

DESCRIPTION: GALLERY 2" EPS SINGLE CAR +54/-60 PSF		SCALE: NTS	DWG. SIZE <b>B</b>
DRAWN BY: BFA	DATE: 7/8/08	CHECKED BY: --	DATE: ---
DWG. NO.: 104119	SHEET 2 OF 4		VER: MD

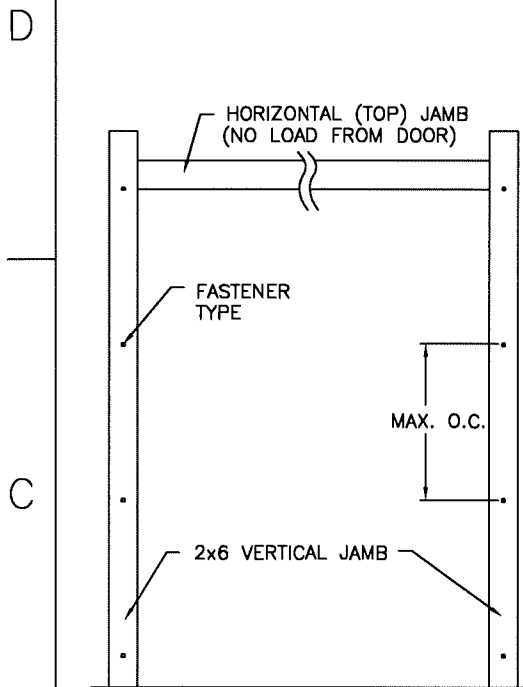
MANUFACTURING PRODUCT CODE DSIE-1F471
PART NO.: N/A

WINDLOAD RATING  
**W8 DP54**

	4		
MODELS	SHORT	LONG	
CLOPAY GALLERY	GD2SP, GR2SP	GD2LP, GR2LP	
HOLMES ARTISTRY	AR2SP	AR2LP	
IDEAL EXPRESSIONS	ED2SP	ED2LP	

	3	
CYPRESS MODELS	FLUSH	
CLOPAY	4302, HDGC	
HOLMES	6202	
IDEAL	SFC68	

SHEET:	3 OF 4					REVISONS	
REV. NO.	ZONE:	DATE:	ECN NO.	APPVD:	DESCRIPTION		
08	-	-	-	-	SEE REVISION HISTORY ON SHEET ONE.		



**JAMB TO SUPPORTING STRUCTURE ATTACHMENT**

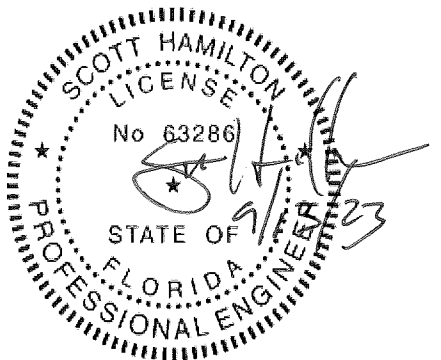
- NOTES:
1. ALL THE LOAD FROM THE DOOR IS TRANSFERRED TO THE TRACK AND THEN FROM THE TRACK TO THE 2x6 VERTICAL SYP (GRADE #2 OR BETTER) JAMBS. NO LOAD FROM THE DOOR IS TRANSFERRED TO THE HORIZONTAL (TOP) JAMB.
  2. EACH VERTICAL JAMB SEES A MAXIMUM DESIGN LOAD OF +243 LB & -270 LB. PER LINEAR FOOT OF JAMB.
  3. ALL JAMB FASTENERS MAY BE (BUT ARE NOT REQUIRED TO BE) COUNTERSUNK TO PROVIDE A FLUSH MOUNTING SURFACE.
  4. A 1/3 STRESS INCREASE FOR WIND LOAD WAS NOT USED IN THE CALCULATION OF ALLOWABLE LOADS FOR ANCHORS AND FASTENERS FOR STEEL, CONCRETE AND MASONRY.

**PREPARATION OF JAMBS BY OTHERS**  
 NOTE: THE DESIGN OF THE SUPPORTING STRUCTURAL ELEMENTS SHALL BE THE RESPONSIBILITY OF THE PROFESSIONAL OF RECORD FOR THE BUILDING OR STRUCTURE AND IN ACCORDANCE WITH CURRENT BUILDING CODES FOR THE LOADS LISTED ON THIS DRAWING.

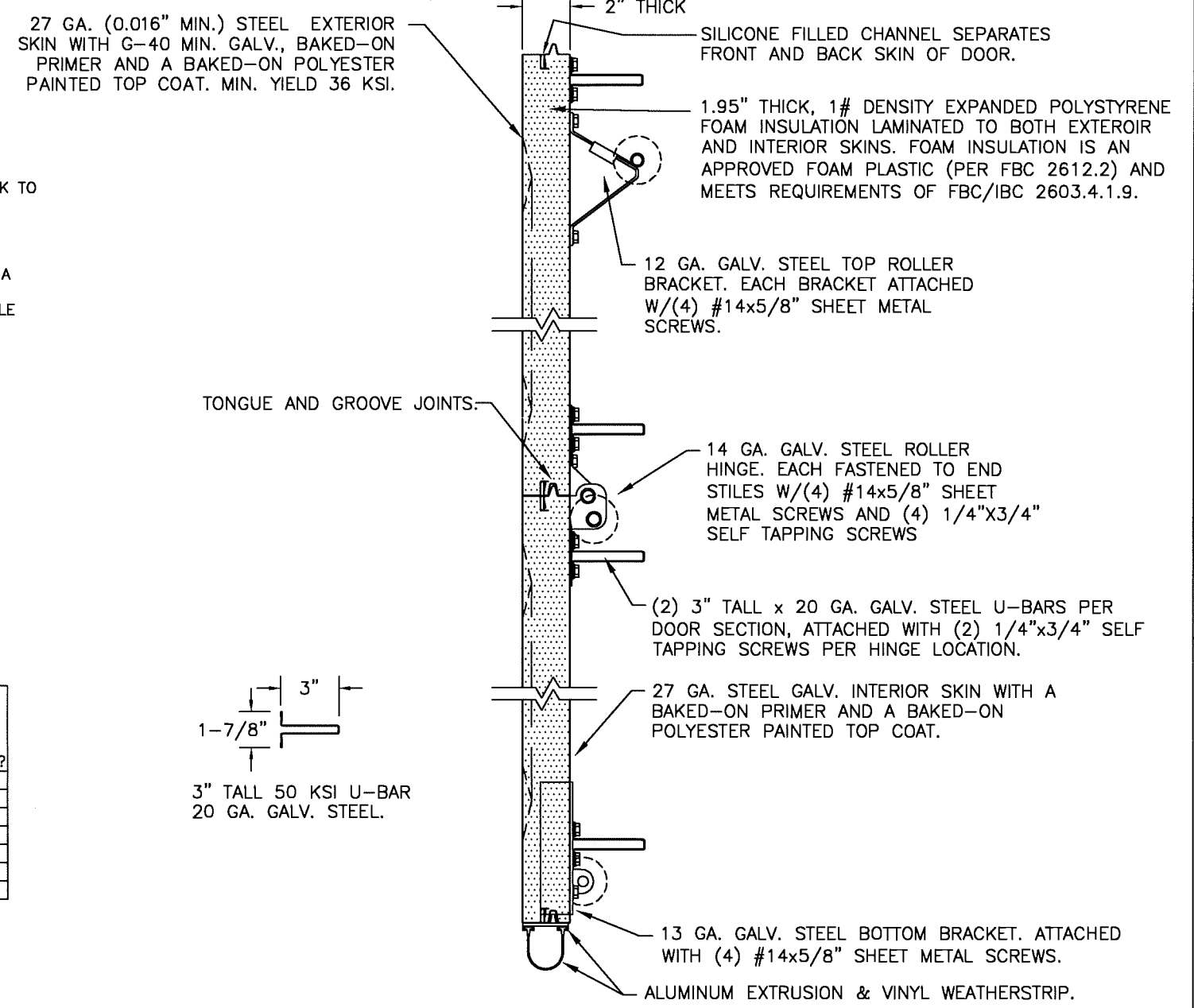
**2x6 JAMB TO SUPPORTING STRUCTURE ATTACHMENT**  
 (NOT TO BE USED FOR ATTACHMENT OF TRACK ANGLE TO 2x6 VERTICAL JAMBS OR SUPPORTING STRUCTURE)

BUILDING TYPE	FASTENER TYPE	MAXIMUM ON-CENTER DISTANCE BETWEEN FASTENERS*	STEEL WASHERS REQUIRED?
HOLLOW CMU BLOCK WALL	1/4" x 1-1/4" MIN. EMBED ULTRACON CONCRETE ANCHOR	6-3/4"	1" O.D.
GROUT-FILLED CMU BLOCK	1/4" x 1-3/4" MIN. EMBED ULTRACON CONCRETE ANCHOR	11-1/4"	1" O.D.
2000 PSI MIN. CONCRETE	1/4" x 1" MIN. EMBED ULTRACON CONCRETE ANCHOR	9-3/4"	1" O.D.
2000 PSI MIN. CONCRETE	1/4" x 1" MIN. EMBED TAPCON CONCRETE ANCHOR	8"	1" O.D.
2000 PSI MIN. CONCRETE	3/8" x 1-3/4" MIN. EMBED WEJ-IT ANKR TITE SLEEVE ANCHOR	20-3/4"	INCLUDED
4000 PSI MIN. CONCRETE	3/8" x 1-3/4" MIN. EMBED WEJ-IT ANKR TITE SLEEVE ANCHOR	24"	INCLUDED
WOOD FRAME (SYP 0.55 SG)	1/2" x 3" LAG SCREW (ASTM A307, GRADE A) 1-5/8" EMBED INTO STRUCTURE	22-1/4"	1" O.D.

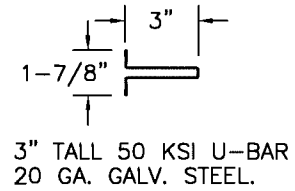
\* FIRST (BOTTOM) ANCHOR STARTING AT NO MORE THAN HALF OF THE MAXIMUM ON-CENTER DISTANCE. HIGHEST ANCHOR INSTALLED AT LEAST AS HIGH AS THE DOOR OPENING.  
 CLOPAY DOES NOT SUPPLY JAMB ATTACHMENT FASTENERS.  
 MINIMUM DISTANCE BETWEEN CENTER OF ANCHOR AND EDGE OF CONCRETE BLOCK: 2-1/2", EXCLUDING STUCCO THICKNESS.



DESIGN ENGINEER:  
 SCOTT HAMILTON, P.E.  
 FLORIDA LICENSE No. 63286



SECTION A-A (SIDE VIEW)



DESIGN LOADS: +54.0 P.S.F. & -60.0 P.S.F.

**PRODUCT REVISED**  
 as complying with the Florida Building Code  
 NOA-No. 23-0928.68  
 Expiration Date 12/16/2024  
 By *[Signature]*  
 Miami-Dade Product Control

Unless Stated Otherwise TOLERANCES are

.0	= ±.031
.00	= ±.015
.000	= ±.005
.0000	= ±.001
Degrees	= ±1/2°

Unless Stated Otherwise DIMENSIONS ARE IN INCHES.

**Clopay CORPORATION**  
 8585 Duke Boulevard  
 Mason, OH 45040 USA  
 Tel. No. 513-770-4800  
 Fax No. 513-770-4853

MANUFACTURING PRODUCT CODE  
 DSIE-1F471

PART NO.: N/A

WINDLOAD RATING  
 W8 DP54

DESCRIPTION: GALLERY 2" EPS SINGLE CAR +54/-60 PSF

DRAWN BY: BFA DATE: 7/8/08 SCALE: NTS DWG. SIZE B

CHECKED BY: -- DATE: -- SHEET 3 OF 4

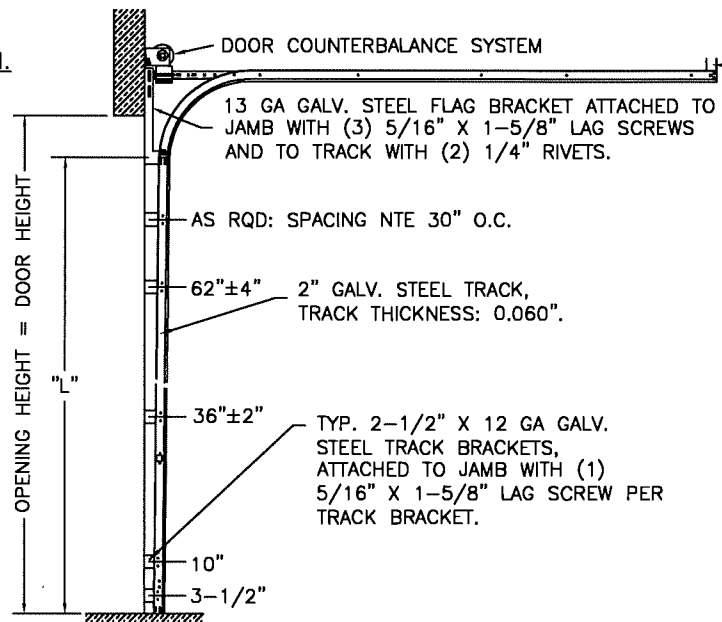
DWG. NO.: 104119 VER: MD

MODELS	SHORT	LONG
CLOPAY GALLERY	GD2SP, GR2SP	GD2LP, GR2LP
HOLMES ARTISTRY	AR2SP	AR2LP
IDEAL EXPRESSIONS	ED2SP	ED2LP

CYPRESS MODELS	FLUSH
CLOPAY	4302, HDGC
HOLMES	6202
IDEAL	SFC68

SHEET: 4 OF 4		REVISIONS				
REV. NO.	ZONE:	DATE:	ECN NO.	APPVD:	DESCRIPTION	
08	-	-	-	-	SEE REVISION HISTORY ON SHEET ONE.	

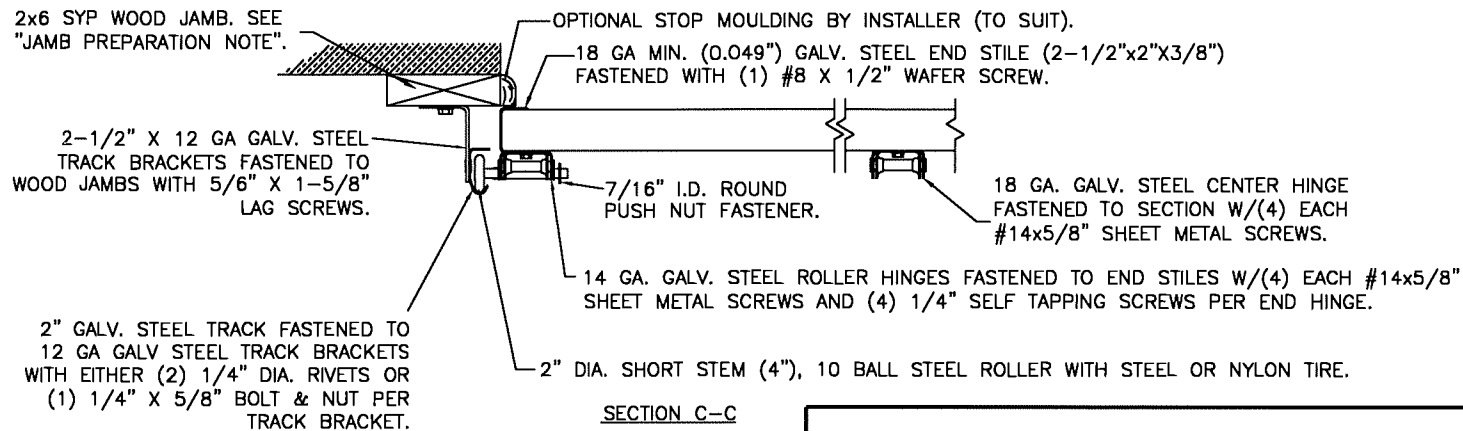
**2" TRACK CONFIGURATION.**



DOOR HEIGHT	"L"
6'-6"	70"
7'-0"	76"
7'-6"	82"
8'-0"	88"
8'-6"	94"
9'-0"	100"
9'-6"	106"
10'-0"	112"
10'-6"	118"
11'-0"	124"
11'-6"	130"
12'-0"	136"
12'-6"	142"
13'-0"	148"
13'-6"	154"
14'-0"	160"
14'-6"	166"
15'-0"	172"
15'-6"	178"
16'-0"	184"

HORIZONTAL TRACK SUPPORT BY DOOR INSTALLER (TO SUIT).

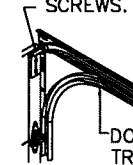
**JAMB CONFIGURATION.**



**SECTION C-C**

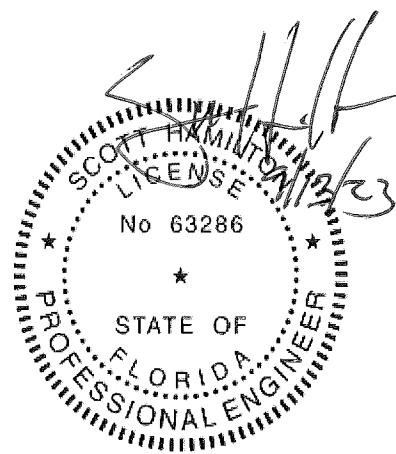
**PREPARATION OF JAMBS BY OTHERS.**

LHR BRACKET (2-1/2" x 5-3/4" x 12GA) ATTACHED WITH (2) 1/4" x 3/4" SELF TAPPING SCREWS.



DOUBLE TRACK LOW HEADROOM OPTION (AVAIL. FOR BOTH 2" AND 3" TRACK)

3" TRACK IS ALSO AVAILABLE.



DESIGN ENGINEER:  
SCOTT HAMILTON, P.E.  
FLORIDA LICENSE No. 63286

**PRODUCT REVISED**  
as complying with the Florida Building Code  
NOA-No. 23-0928.68  
Expiration Date 12/16/2024  
By *[Signature]*  
Miami-Dade Product Control

DESIGN LOADS: +54.0 P.S.F. & -60.0 P.S.F.

Unless Stated Otherwise TOLERANCES are  
.0 = ±.031  
.00 = ±.015  
.000 = ±.005  
.0000 = ±.001  
Degrees = ±1/2"

Unless Stated Otherwise DIMENSIONS ARE IN INCHES.

**Clopay CORPORATION**  
8585 Duke Boulevard  
Mason, OH 45040 USA  
Tel. No. 513-770-4800  
Fax No. 513-770-4853

DESCRIPTION: GALLERY 2" EPS SINGLE CAR +54/-60 PSF

DRAWN BY: BFA	DATE: 7/8/08	SCALE: NTS	DWG. SIZE B
CHECKED BY: --	DATE: --	SHEET 4 OF 4	
DWG. NO.: 104119	VER: MD		

MANUFACTURING PRODUCT CODE DSIE-1F471
PART NO.: N/A
WINDLOAD RATING W8 DP54