



DEPARTMENT OF REGULATORY AND ECONOMIC RESOURCES (RER)
BOARD AND CODE ADMINISTRATION DIVISION

MIAMI-DADE COUNTY
PRODUCT CONTROL SECTION
11805 SW 26 Street, Room 208
Miami, Florida 33175-2474
T (786) 315-2590 F (786) 315-2599
www.miamidade.gov/economy

NOTICE OF ACCEPTANCE (NOA)

Lomanco, Inc.
2101 West Main Street
Jacksonville, AR 72076

SCOPE:

This NOA is being issued under the applicable rules and regulations governing the use of construction materials. The documentation submitted has been reviewed and accepted by Miami-Dade County RER - Product Control Section to be used in Miami-Dade County and other areas where allowed by the Authority Having Jurisdiction (AHJ).

This NOA shall not be valid after the expiration date stated below. The Miami-Dade County Product Control Section (in Miami-Dade County) and/or the AHJ (in areas other than Miami-Dade County) reserve the right to have this product or material tested for quality assurance purposes. If this product or material fails to perform in the accepted manner, the manufacturer will incur the expense of such testing and the AHJ may immediately revoke, modify, or suspend the use of such product or material within their jurisdiction. RER reserves the right to revoke this acceptance, if it is determined by Miami-Dade County Product Control Section that this product or material fails to meet the requirements of the applicable building code.

This product is approved as described herein, and has been designed to comply with the Florida Building Code including the High Velocity Hurricane Zone of the Florida Building Code.

DESCRIPTION: Lomanco P60 PRO Roof Vent & TRI-BUILT® P60 PRO Roof Vent

LABELING: Each unit shall bear a permanent label with the manufacturer's name or logo, city, state and following statement: "Miami-Dade County Product Control Approved", unless otherwise noted herein.

RENEWAL of this NOA shall be considered after a renewal application has been filed and there has been no change in the applicable building code negatively affecting the performance of this product.

TERMINATION of this NOA will occur after the expiration date or if there has been a revision or change in the materials, use, and/or manufacture of the product or process. Misuse of this NOA as an endorsement of any product, for sales, advertising or any other purposes shall automatically terminate this NOA. Failure to comply with any section of this NOA shall be cause for termination and removal of NOA.

ADVERTISEMENT: The NOA number preceded by the words Miami-Dade County, Florida, and followed by the expiration date may be displayed in advertising literature. If any portion of the NOA is displayed, then it shall be done in its entirety.

INSPECTION: A copy of this entire NOA shall be provided to the user by the manufacturer or its distributors and shall be available for inspection at the job site at the request of the Building Official.

This NOA renews NOA# 20-0218.05 and consists of pages 1 through 4.
The submitted documentation was reviewed by Alex Tigera.

12/14/23



NOA No. 23-1016.03
Expiration Date: 12/20/28
Approval Date: 12/14/23
Page 1 of 4

ROOFING COMPONENT APPROVAL

Category: Roofing
Sub-Category: Ventilation
Materials: Plastic

TRADE NAMES OF PRODUCTS MANUFACTURED OR LABELED BY APPLICANT:

<u>Product</u>	<u>Dimensions</u>	<u>Test Specification</u>	<u>Product Description</u>
Lomanco P60 PRO Roof Vent	Width: 15-9/16" Length: 15-15/16" Height: 4-3/8"	TAS-100(A)	Plastic roof vent with a polypropylene base, inner guard, and top.
TRI-BUILT® P60 PRO Roof Vent	Width: 15-9/16" Length: 15-15/16" Height: 4-3/8"	TAS-100(A)	Plastic roof vent with a polypropylene base, inner guard, and top.

MANUFACTURING LOCATION(S):

1. Jacksonville, AR.

EVIDENCE SUBMITTED:

<u>Test Agency/Identifier</u>	<u>Name</u>	<u>Report</u>	<u>Date</u>
PRI Construction Materials Technologies	LOM-048-02-01	TAS100(A)	02/13/18
	ASTM G155	556T0005	04/05/23
	ASTM D635	556T0006	04/03/23
	ASTM D1929	556T0006	04/03/23



NOA No. 23-1016.03
Expiration Date: 12/20/28
Approval Date: 12/14/23
Page 2 of 4

APPROVED APPLICATIONS

Tradename: Lomanco P60 PRO Roof Vent & TRI-BUILT® P60 PRO Roof Vent

System Type: Mechanical attachment of attic vent over and underneath composition shingles.

Cutout: Center the vent opening between rafters and roughly 24" (36" Max.) down from the ridge line to keep the top of the roof vent below the ridge line. Mark this position.

Using the marked position as the center point, scribe a nominal 9" x 9" square pattern. Cut a nominal 9" square hole through the shingles and sheathing following the hole pattern.

Installation: Sealant should be placed on the underside of the base. Sealant should be a 1/2" bead spaced 1" around the throat of the vent.

With the embossed arrow pointed up toward the ridge, carefully slide the vent into place centering the throat of the vent over the vent opening. The base flange should be positioned over the opening with the top half (upslope) of the flange positioned beneath shingles and the bottom half (downslope) of the flange positioned on top of the shingles.

Fasten the base to the roof decking with 12ga, 1-1/4" galvanized ring shank nails. Nails should be located as follows: four (4) located a nominal 1/2" from bottom flange edge at pre-marked locations; two (2) located a nominal 1/2" from top flange edge at premarked locations; and one (1) located along each side edge a nominal 1/2" from the edge and centered along the length. A total of eight (8) fasteners are to be utilized.

Finish installation by sealing any exposed nail heads or loose shingles with approved roofing cement.

Net Free Area: Refer to manufacturers published literature.

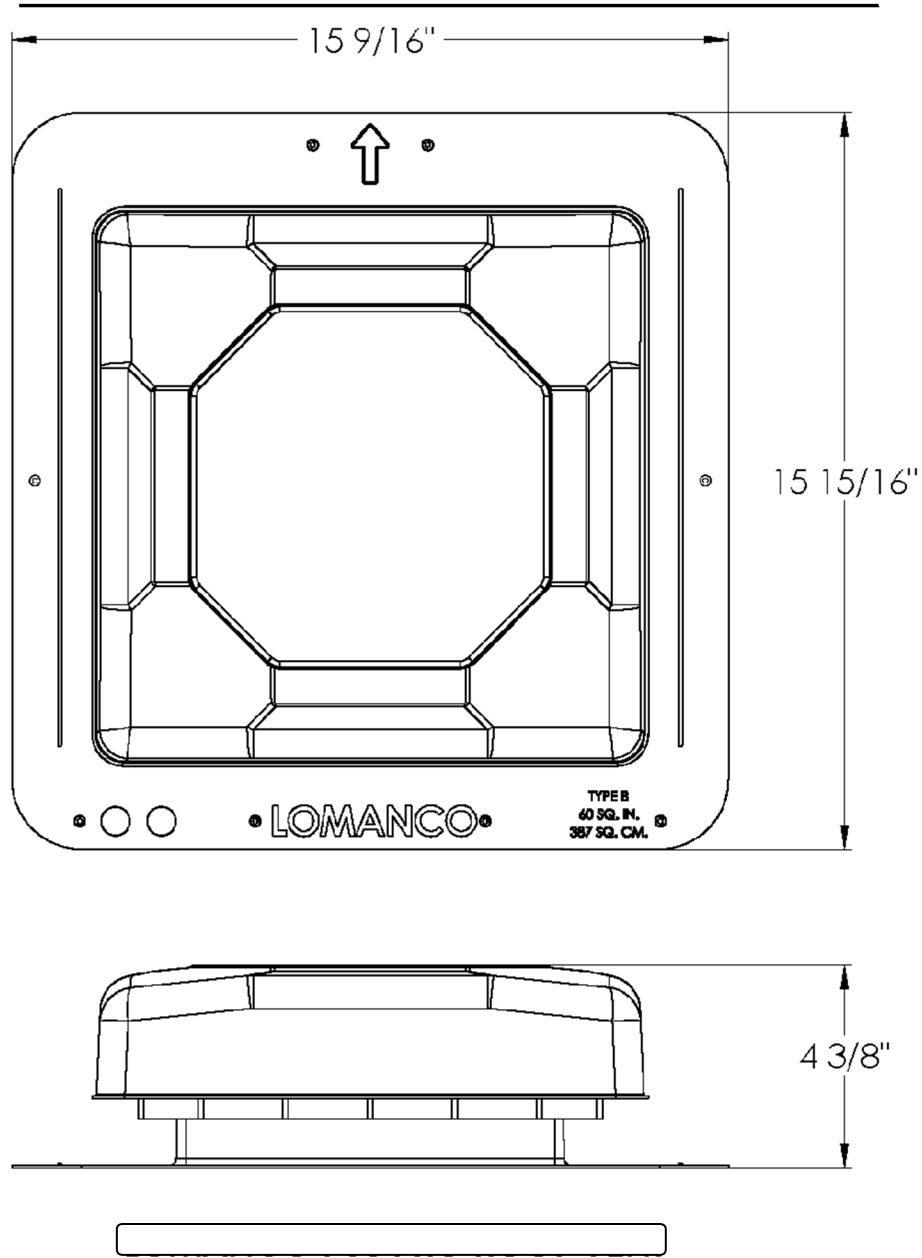
LIMITATIONS:

1. Refer to applicable Building Codes for required ventilation.
2. Lomanco P60 PRO Roof Vent & TRI-BUILT® P60 PRO Roof Vent shall comply with applicable building codes.
3. This acceptance is for installations with a composition shingle roof system only.
4. Lomanco P60 PRO Roof Vent & TRI-BUILT® P60 PRO Roof Vent shall not be installed on roof mean heights greater than 33 feet
5. All products listed herein shall have a quality assurance audit in accordance with the Florida Building Code and Rule 61G20-3 of the Florida Administrative Code.
6. All approved products listed herein shall be labeled and shall bear the imprint or identifiable marking of the manufacturer's name or logo and following statement: "Miami-Dade County Product Control Approved" or the Miami-Dade County Product Control Seal as shown below.



DETAIL DRAWINGS

Lomanco P60 PRO Roof Vent & TRI-BUILT® P60 PRO Roof Vent



END OF THIS ACCEPTANCE



NOA No. 23-1016.03
Expiration Date: 12/20/28
Approval Date: 12/14/23
Page 4 of 4