



DEPARTMENT OF REGULATORY AND ECONOMIC RESOURCES (RER)
BOARD AND CODE ADMINISTRATION DIVISION

MIAMI-DADE COUNTY
PRODUCT CONTROL SECTION
11805 SW 26 Street, Room 208
Miami, Florida 33175-2474
T (786) 315-2590 F (786) 315-2599

www.miamidade.gov/economy

NOTICE OF ACCEPTANCE (NOA)

Seasons-4, Inc.
4500 Industrial Access Road
Douglasville, Georgia 30134-3949

SCOPE:

This NOA is being issued under the applicable rules and regulations governing the use of construction materials. The documentation submitted has been reviewed and accepted by Miami-Dade County RER- Product Control Section to be used in Miami Dade County and other areas where allowed by the Authority Having Jurisdiction (AHJ).

This NOA shall not be valid after the expiration date stated below. The Miami-Dade County Product Control Section (In Miami Dade County) and/or the AHJ (in areas other than Miami Dade County) reserve the right to have this product or material tested for quality assurance purposes. If this product or material fails to perform in the accepted manner, the manufacturer will incur the expense of such testing and the AHJ may immediately revoke, modify, or suspend the use of such product or material within their jurisdiction. RER reserves the right to revoke this acceptance if it is determined by Miami-Dade County Product Control Section that this product or material fails to meet the requirements of the applicable building code.

This product is approved as described herein and has been designed to comply with the High Velocity Hurricane Zone of the Florida Building Code.

DESCRIPTION: HVAC Air Handling Unit

APPROVAL DOCUMENT: Drawing No. MDTC, titled "Test Cabinet-NOA", sheets 1 through 13 of 13, prepared by Seasons-4, Inc., dated April 21, 2013, Last revision #6, dated December 02, 2023, signed and sealed by Scott Wolters, P.E., on December 04, 2023, bearing the Miami-Dade County Product Control Revision stamp with the Notice of Acceptance number and the expiration date by the Miami-Dade County Product Control Section.

MISSILE IMPACT RATING: Large and Small Missile Impact Resistant

LABELING: Each unit shall bear a permanent label with the manufacturer's name or logo, city, state, and the following statement: "Miami-Dade County Product Control Approved", unless otherwise noted herein.

RENEWAL of this NOA shall be considered after a renewal application has been filed and there has been no change in the applicable building code negatively affecting the performance of this product.

TERMINATION of this NOA will occur after the expiration date or if there has been a revision or change in the materials, use, and/or manufacture of the product or process. Misuse of this NOA as an endorsement of any product, for sales, advertising or any other purposes shall automatically terminate this NOA. Failure to comply with any section of this NOA shall be cause for termination and removal of NOA.

ADVERTISEMENT: The NOA number preceded by the words Miami-Dade County, Florida, and followed by the expiration date may be displayed in advertising literature. If any portion of the NOA is displayed, then it shall be done in its entirety.

INSPECTION: A copy of this entire NOA shall be provided to the user by the manufacturer or its distributors and shall be available for inspection at the job site at the request of the Building Official.

This NOA revises NOA #20-0929.16 and consists of this page 1, evidence submitted pages E-1, E-2 & E-3 as well as approval document mentioned above.

The submitted documentation was reviewed by **Helmy A. Makar, P.E., M.S.**



Helmy A. Makar
03/28/24

NOA No. 23-1207.06
Expiration Date: 12/24/2024
Approval Date: 03/28/2024

NOTICE OF ACCEPTANCE: EVIDENCE SUBMITTED

1. EVIDENCE SUBMITTED UNDER PREVIOUS APPROVAL # 14-1202.04

A. DRAWINGS

1. *Drawing No. MDTC-001, titled "Cabinet with Casing", 13 sheets, prepared by Seasons 4, Inc., dated 04/21/13, revision #4, signed and sealed by Scott Wolters, P.E., on 10/24/2014.*

B. TESTS

1. *Test reports on 1) Uniform Static Air Pressure Test, Loading per TAS 202-94, 2) Large Missile Impact Test per TAS 201-94, 3) Cyclic Wind Pressure Loading per TAS 203-94, along with marked-up drawings and installation diagram of Custom Air Handling Cabinet, prepared by Architectural Testing, Test Report No. C9425.01-550-18, dated 11/15/13, signed and sealed by Vinu J. Abraham, P.E.*

2. *Test reports on Racking Load Test per ASTM E72, along with marked-up drawings and installation diagram of Custom Air Handling Cabinet, prepared by Architectural Testing, Test Report # D2660.01-119-18, dated 01/08/14, signed & sealed by Gary T. Hartman, P.E.*

C. CALCULATIONS

1. *Calculation titled Seasons 4 Custom Air Handling Cabinet, 4 pages, dated May 12, 2014, prepared by Wolters Engineering, signed and sealed by Scott Wolters, P.E.*

D. QUALITY ASSURANCE

1. *By Miami-Dade County Department of Regulatory and Economic Resources (RER).*

E. MATERIAL CERTIFICATIONS

1. *None.*

F. STATEMENTS

1. *Compliance Letter with the FBC-2010, dated 01/22/14, signed, sealed by Scott Wolters, P.E.*

2. EVIDENCE SUBMITTED UNDER PREVIOUS APPROVAL # 16-0525.03

A. DRAWINGS

1. *Drawing No. MDTC, titled "Test Cabinet-NOA", 13 sheets, prepared by Seasons-4, Inc., dated 04/21/2013, revision #5, dated 05/20/2016, signed & sealed by Scott Wolters, P.E.*

B. TESTS

1. *None.*

C. CALCULATIONS

1. *None.*

D. QUALITY ASSURANCE

1. *By Miami-Dade County Department of Regulatory and Economic Resources (RER).*

E. MATERIAL CERTIFICATIONS

1. *None.*

F. STATEMENTS

1. *Compliance Letter with the FBC-2014, dated 05/20/16, signed, sealed by Scott Wolters, P.E.*

3. EVIDENCE SUBMITTED UNDER PREVIOUS APPROVAL # 17-1218.03

A. DRAWINGS

1. *None.*

B. TESTS

1. *None.*



Helmy A. Makar, P.E., M.S.
Product Control Section Supervisor

NOA No. 23-1207.06

Expiration Date: 12/24/2024

Approval Date: 03/28/2024

NOTICE OF ACCEPTANCE: EVIDENCE SUBMITTED

C. CALCULATIONS

1. *None.*

D. QUALITY ASSURANCE

1. *By Miami-Dade County Department of Regulatory and Economic Resources (RER).*

E. MATERIAL CERTIFICATIONS

1. *None.*

F. STATEMENTS

1. *Compliance Letter with the FBC-2017, dated 11/29/17, signed, sealed by Scott Wolters, P.E.*

4. EVIDENCE SUBMITTED UNDER PREVIOUS APPROVAL # 19-0711.08

A. DRAWINGS

1. *None.*

B. TESTS

1. *None.*

C. CALCULATIONS

1. *None.*

D. QUALITY ASSURANCE

1. *By Miami-Dade County Department of Regulatory and Economic Resources (RER).*

E. MATERIAL CERTIFICATIONS

1. *None.*

F. STATEMENTS

1. *Compliance Letter with the FBC-2017, dated 11/29/17, signed, sealed by Scott Wolters, P.E.*

5. EVIDENCE SUBMITTED UNDER PREVIOUS APPROVAL # 20-0929.16

A. DRAWINGS

1. *Drawing No. MDTC, titled "Test Cabinet-NOA", sheets 1 through 13 of 13, prepared by Seasons-4, Inc., dated 04/21/2013, revision #5, dated 05/20/2016, signed and sealed by Scott Wolters, P.E., on 09/29/2020.*

B. TESTS

1. *None.*

C. CALCULATIONS

1. *None.*

D. QUALITY ASSURANCE


1. *By Miami-Dade County Department of Regulatory and Economic Resources (RER).*

E. MATERIAL CERTIFICATIONS

1. *None.*

F. STATEMENTS

1. *Compliance Letter with the FBC-2020, dated 09/29/20, signed and sealed by Scott Wolters, P.E.*



Helmy A. Makar, P.E., M.S.
Product Control Section Supervisor
NOA No. 23-1207.06
Expiration Date: 12/24/2024
Approval Date: 03/28/2024

NOTICE OF ACCEPTANCE: EVIDENCE SUBMITTED

6. NEW EVIDENCE SUBMITTED

A. DRAWINGS

1. *Drawing No. MDTC, titled "Test Cabinet-NOA", sheets 1 through 13 of 13, prepared by Seasons-4, Inc., dated April 21, 2013, Last revision #6, dated December 02, 2023, signed and sealed by Scott Wolters, P.E., on December 04, 2023.*

B. TESTS

1. *None.*

C. CALCULATIONS

1. *None.*

D. QUALITY ASSURANCE


1. *By Miami-Dade County Department of Regulatory and Economic Resources (RER).*

E. MATERIAL CERTIFICATIONS

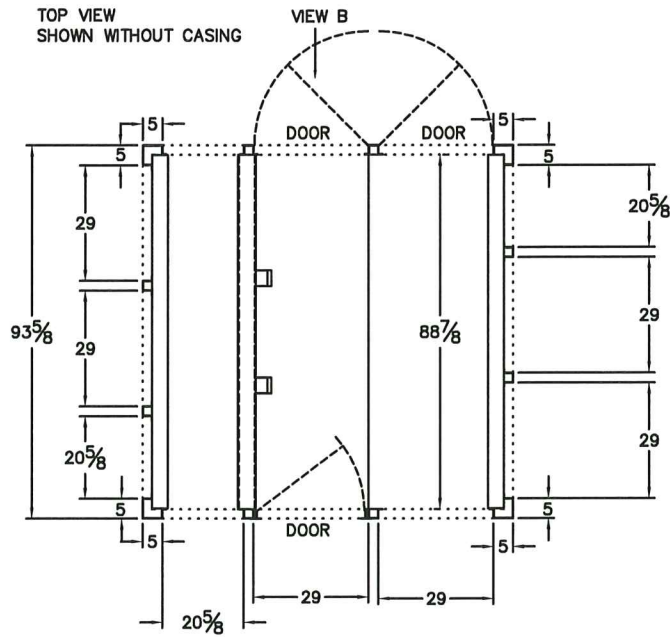
1. *None.*

F. STATEMENTS

1. *Compliance Letter with the FBC-2023, dated 12/04/23, signed and sealed by Scott Wolters, P.E. on 12/04/23.*



Helmy A. Makar, P.E., M.S.
Product Control Section Supervisor
NOA No. 23-1207.06
Expiration Date: 12/24/2024
Approval Date: 03/28/2024



ALLOWABLE DESIGN LOADS	
WINDLOADS:	WALLS +/-100 PSF ROOF +/-100 PSF
MAX. SHEAR LOAD PER LINEAL FT OF WALL:	STEEL LINED PANELS 287 LB/FT ALUMINUM LINED PANELS 293 LB/FT
TENSILE CAPACITY OF PANELS:	STEEL LINERS 2082 lb ALUMINUM LINERS 2,285 lb
COMPRESSION CAPACITY OF PANELS:	STEEL LINER 3044 lb ALUMINUM LINER 2416 lb

GENERAL NOTES:

1. THIS PRODUCT HAS BEEN DESIGNED AND TESTED TO MEET THE REQUIREMENTS OF THE 8TH EDITION (2023) FLORIDA BUILDING CODE, INCLUDING THE HVHZ PROVISIONS.
2. THIS PRODUCT IS LARGE MISSILE IMPACT RESISTANT. SHUTTERS ARE NOT REQUIRED.
3. THE STRUCTURAL ADEQUACY OF THE ROOF TO SUPPORT THIS EQUIPMENT IS NOT A PART OF THIS APPROVAL, AND SHOULD BE REVIEWED BY THE ENGINEER OF RECORD.

MAX. WALL PANEL SIZE: 130" HIGH X 34" WIDE AND 2" THICK

WALL PANEL OUTSIDE CASING MATERIAL .040" 3003 H14 ALUMINUM

WALL PANEL INSIDE LINER MATERIAL: .040" 3003 H14 ALUMINUM OR
A653 COMMERCIAL STEEL (.023) 24 GA GALVANIZED STEEL.

PRODUCT REVISED

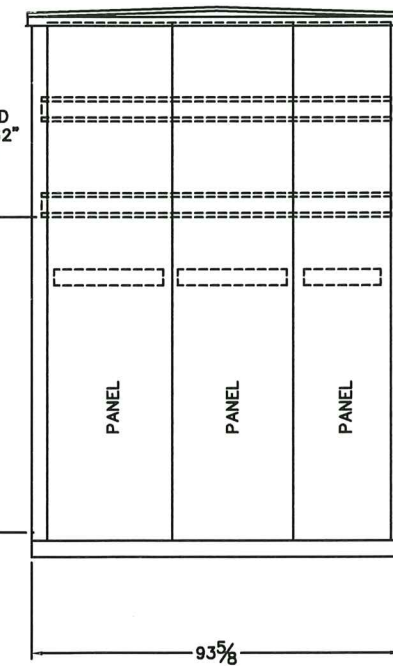
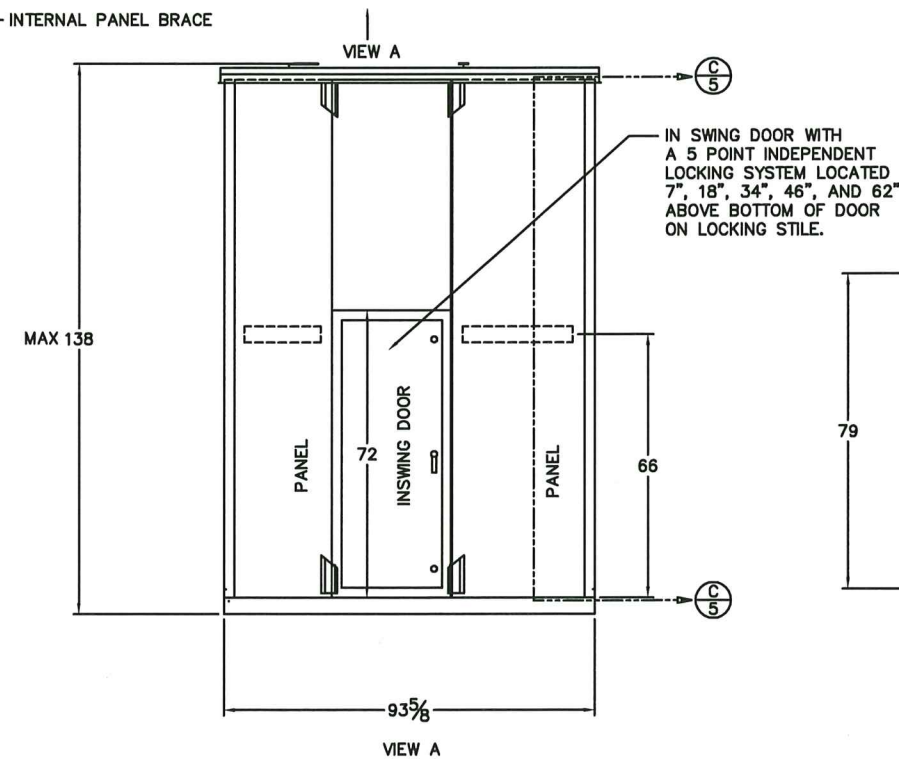
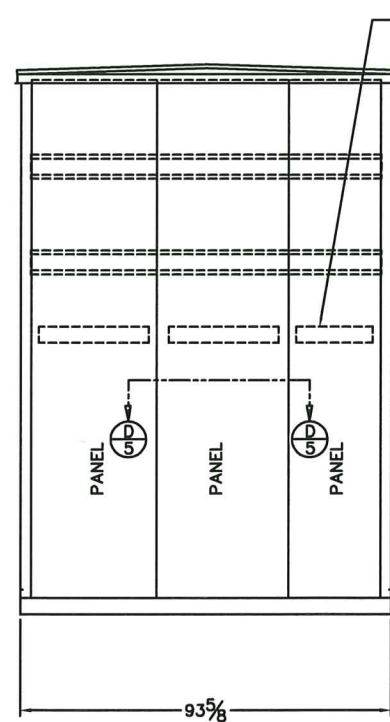
as complying with the Florida:

Building Code

Acceptance No 23-1267.06

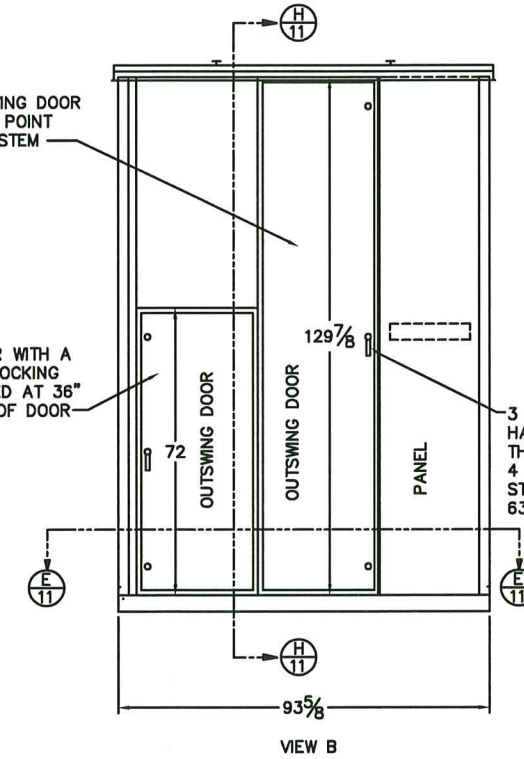
Expiration Date 12/24/24

By Hedy A. Miller
Miami Dade Product Control



FULL SIZE OUTSWING DOOR WITH A 3 AND 4 POINT MULTILOCKING SYSTEM

OUTSWING DOOR WITH A 4 POINT MULTILOCKING SYSTEM LOCATED AT 36" FROM BOTTOM OF DOOR



3 MULTI POINT LOCKING STILE HANDLE LOCATED 84" FROM THE BOTTOM OF DOOR.
4 MULTI POINT LOCKING STILE AND HANDLE LOCATED 63" FROM BOTTOM OF DOOR

LEGEND

(H) HINGED ACCESS DOOR

UNIT (COMPLETE ASSEMBLY) REFER TO DRAWING 5 FOR SECTION C-C

J:\B500-B599\B505\Drafting\TESTCABINET-NOA

REV. #	BY	DATE	DESCRIPTION
2	D.R.	04/29/2013	CHANGED FROM DETAIL CC AND DD TO SECTION CC AND DD.
3	D.R.	05/09/2013	INCREASED WIDTH OF UNIT.
4	D.R.	10/09/2013	REVISED DOORS AND PANELS.
5	D.R.	05/20/2016	2014 CODE UPDATE
6	D.R.	12/2/2023	2023 CODE UPDATE

SCOTT WOLTERS
FL PE# 62354

WOLTERS ENGINEERING
(COA# 27194)
15211 97TH ROAD N
WEST PALM BEACH, FL 33412
PH/FAX: (561) 225-1982



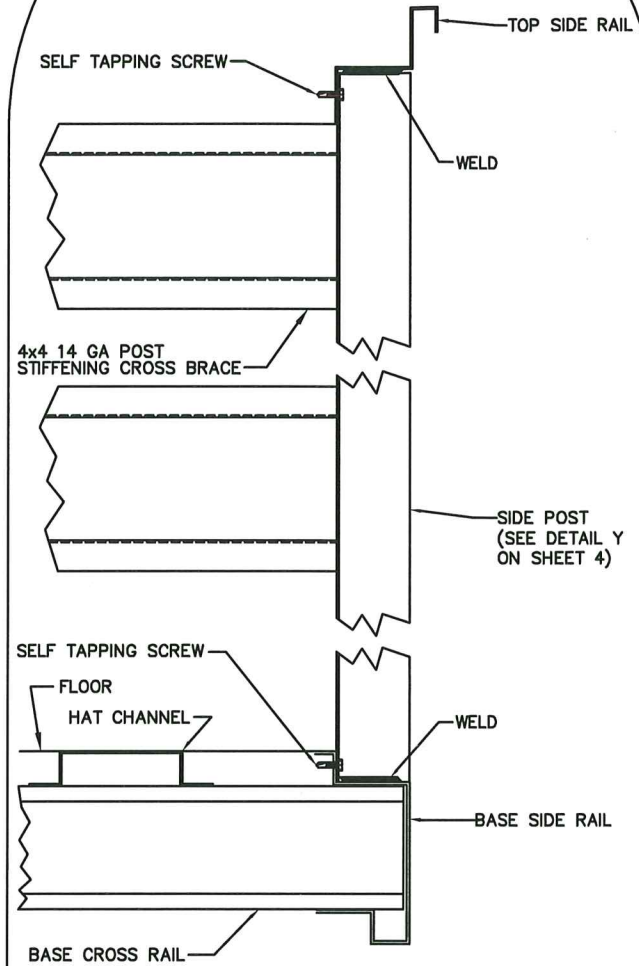
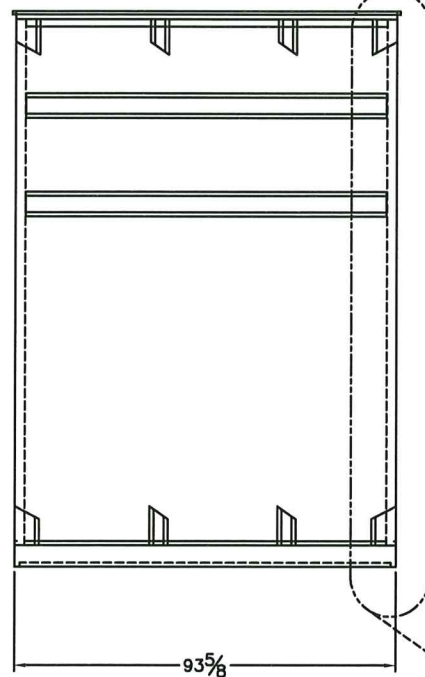
DIMENSIONAL DATA	
MIAMI DADE TEST CABINET MIAMI, FL	
MDTC-001 CABINET WITH CASING	

DRAWN BY	D.R.
DATE	04/21/2013
SCALE	N/A
REVISION #	4
DWG. NAME	TESTCABINET-NOA

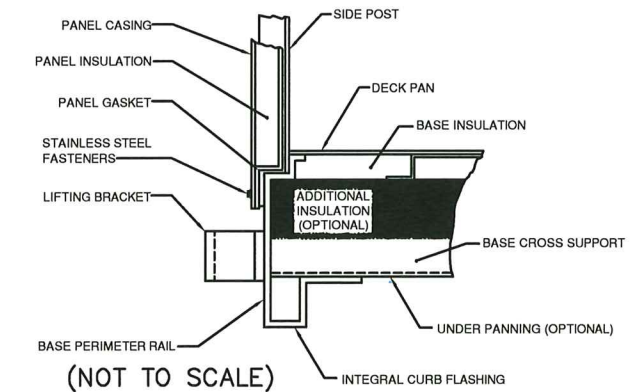
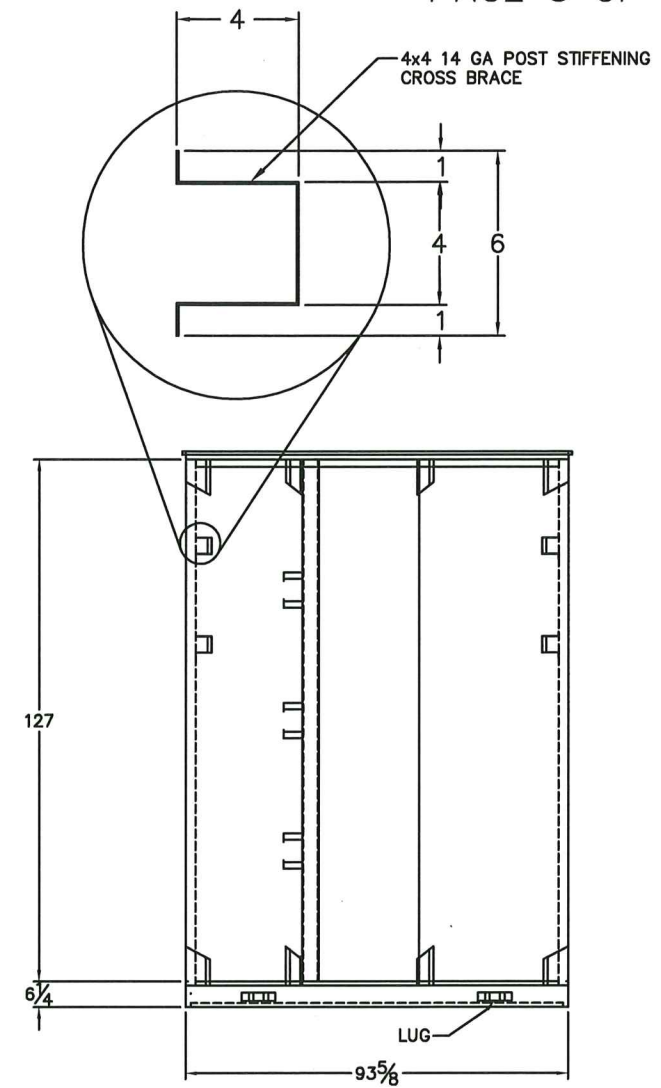


SEASONS 4

FASTENERS: #10-16x3/4
STEEL



POST ATTACHMENT TO
BASE AND TOP FRAME



(NOT TO SCALE)

PRODUCT REVISED
as complying with the Florida
Building Code
Acceptance No 23-1207.06
Expiration Date 12/24/2024
By *Heidi A. Miller*
Miami Dade Product Control

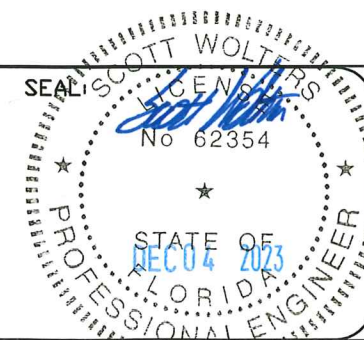
SEE PAGE 2

J:\B500-B599\B505\Drafting\TESTCABINET-NOA

REV. #	BY	DATE	DESCRIPTION
0	DR	01/17/2014	ORIGINAL ISSUE
1	DR	04/29/2014	MADE CHANGES TO DRAWING.

SCOTT WOLTERS
FL PE# 62354

WOLTERS ENGINEERING
(COA# 27194)
15211 97TH ROAD N
WEST PALM BEACH, FL 33412
PH/FAX: (561) 225-1982

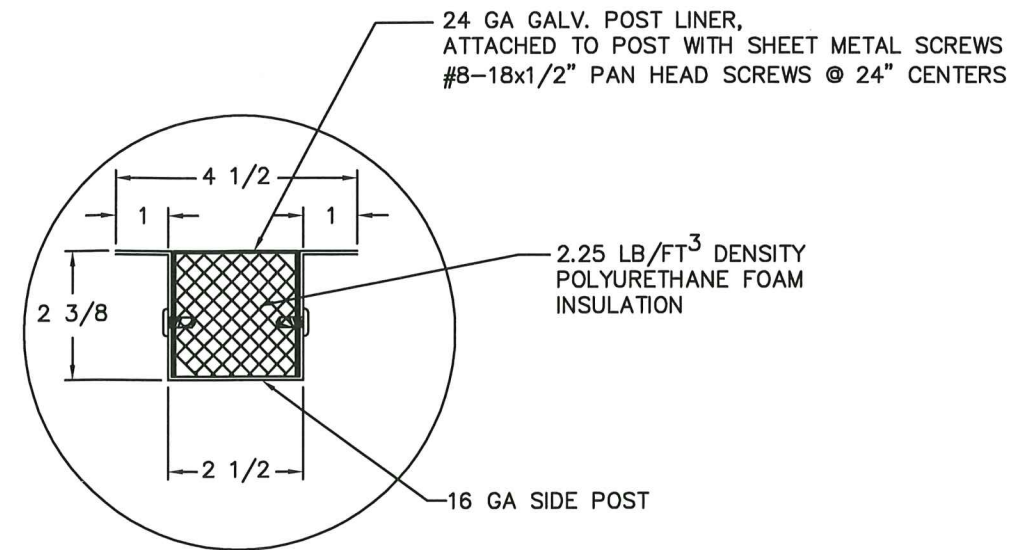


DIMENSIONAL DATA

MIAMI DADE TEST CABINET
MIAMI, FL
MDTC-003

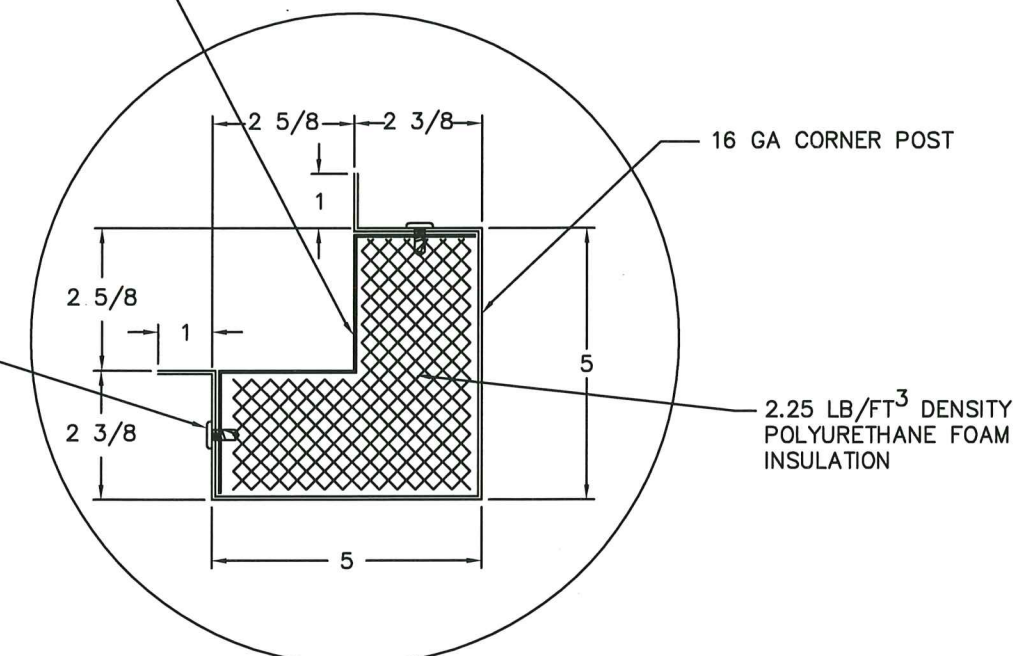
CONSTRUCTION DETAILS

DRAWN BY	DR
DATE	10/7/2014
SCALE	N/A
REVISION #	1
DWG. NAME	TEST CABINET-NOA



DETAIL A
SIDE POST

24 GA GALV. POST LINER,
ATTACHED TO POST WITH SHEET METAL SCREWS
#8-18x1/2" PAN HEAD SCREWS @ 24" CENTERS



DETAIL B
CORNER POST

SELF TAPPING SCREW
#8-18x1 1/2 STAINLESS STEEL
24" SPACING VERTICALLY

PRODUCT REVISED
as complying with the Florida
Building Code
Acceptance No 23-1207.06
Expiration Date 12/24/2024
By *Heidi A. Miller*
Miami Dade Product Control

LEGEND

Ⓜ HINGED ACCESS DOOR

REFER TO DRAWING 2

J: \B500-B599\B505\Drafting\TESTCABINET-NOA

REV. #	BY	DATE	DESCRIPTION
0	D.R.	04/21/2013	ORIGINAL ISSUE
1	D.R.	05/09/2013	MADE UNIT 69 5/8 WIDER.
2	D.R.	10/09/2013	REVISED POST SPACING AND BRACING.
3	D.R.	08/27/2014	REVISED SECTION VIEW NOTE.
4	D.R.	10/7/2014	ADDED SCREWS.

SCOTT WOLTERS
FL PE# 62354

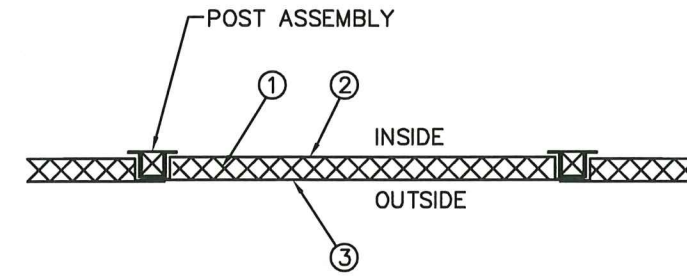
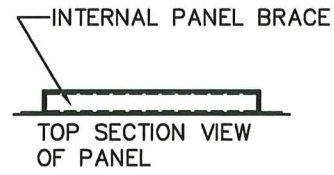
WOLTERS ENGINEERING
(CDA# 27194)
15211 97TH ROAD N
WEST PALM BEACH, FL 33412
PH/FAX: (561) 225-1982



DIMENSIONAL DATA

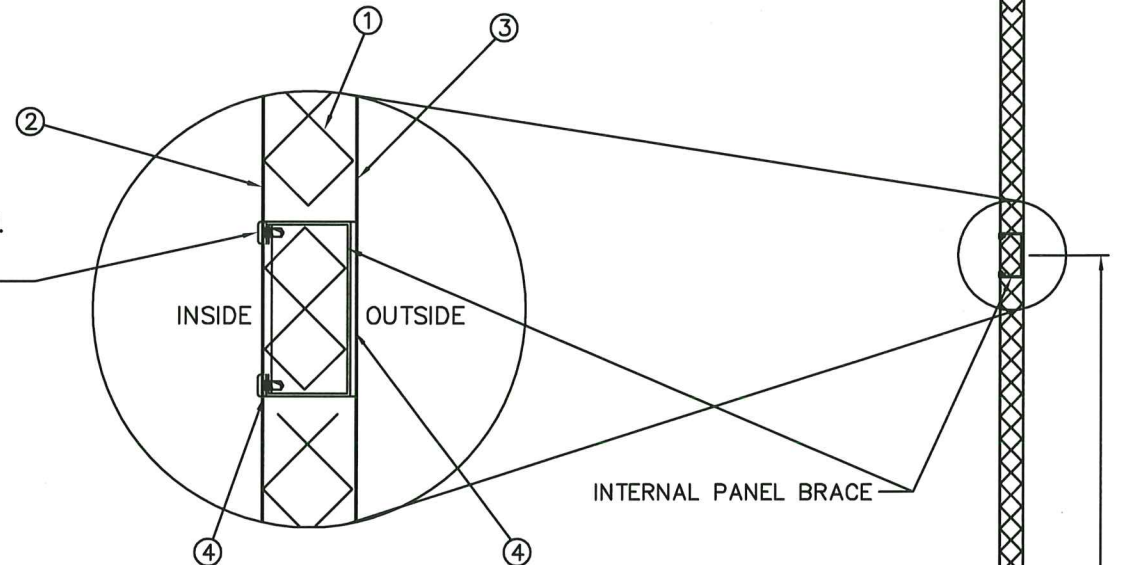
MIAMI DADE TEST CABINET
MIAMI, FL
MDTC-004
CONSTRUCTION DETAILS

DRAWN BY	D.R.
DATE	04/21/2013
SCALE	N/A
REVISION #	4
DWG. NAME	TESTCABINET-NOA

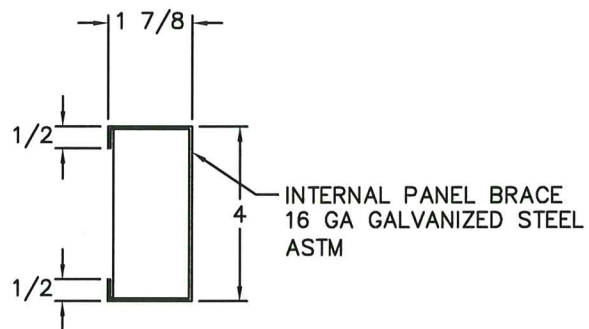


PANEL AND POST ASSEMBLY
SEE SHEET 1
SECTION D-D

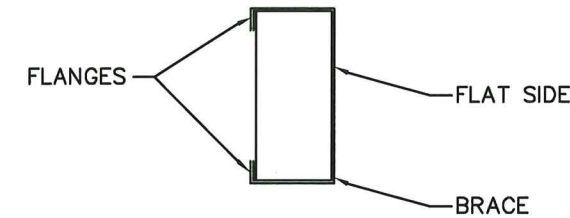
#8-18x1/2 PAN HEAD SCREW.
3 1/2" SPACING VERTICALLY.
8" SPACING HORIZONTALLY.



- ① 2.25 LB/FT³ DENSITY POLYURETHANE FOAM INSULATION
- ② .04 ALUMINUM OR 24 GA GALVANIZED PANEL LINER (INSIDE)
- ③ .04 ALUMINUM CASING PANEL (OUTSIDE)
- ④ DOUBLE SIDED STRUCTURAL TAPE APPLIED TO INSIDE OF .04 ALUMINUM CASING PANEL AND PANEL LINER. TAPE IS APPLIED TO CENTER OF THE BRACE ON FLAT SIDE. TAPE IS APPLIED TO BRACE FLANGES.



INTERNAL PANEL BRACE



SIDE SECTION VIEW OF PANEL ASSEMBLY
SECTION C-C

PRODUCT REVISED
as complying with the Florida
Building Code
Acceptance No. 23-1207-06
Expiration Date 2/29/2024
By *Walter A. Walters*
Miami Dade Product Control

LEGEND

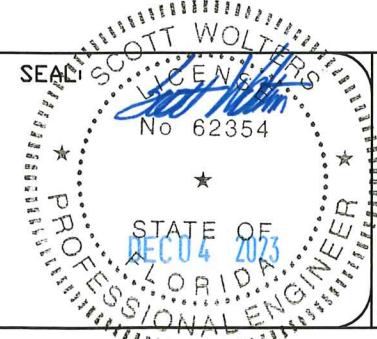
Ⓜ HINGED ACCESS DOOR

REFER TO DRAWING 1 FOR SECTION CUTS

REV. #	BY	DATE	DESCRIPTION
0	D.R.	04/21/2013	ORIGINAL ISSUE
1	D.R.	04/26/2013	ADDED INSULATION TO DETAIL C.
2	D.R.	04/29/2013	CHANGED WORDING.
3	D.R.	05/08/2013	ADDED DETAIL FOR INTERNAL BRACE.
4	D.R.	08/27/2014	REVISED NOTE FOR SECTION CUTS.

SCOTT WOLTERS
FL PE# 62354

WOLTERS ENGINEERING
(COA# 27194)
15211 97TH ROAD N
WEST PALM BEACH, FL 33412
PH/FAX: (561) 225-1982

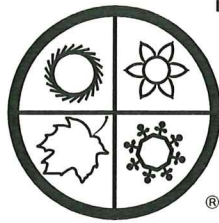


DIMENSIONAL DATA

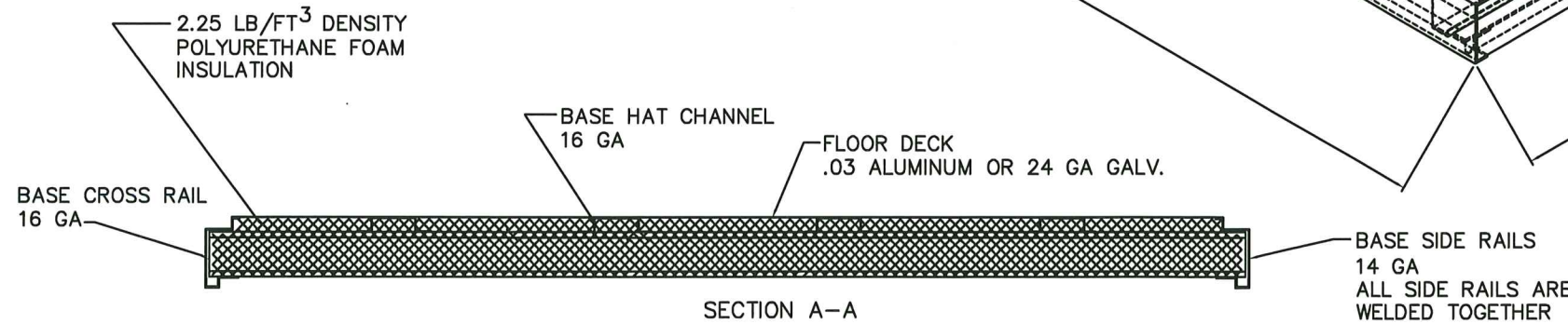
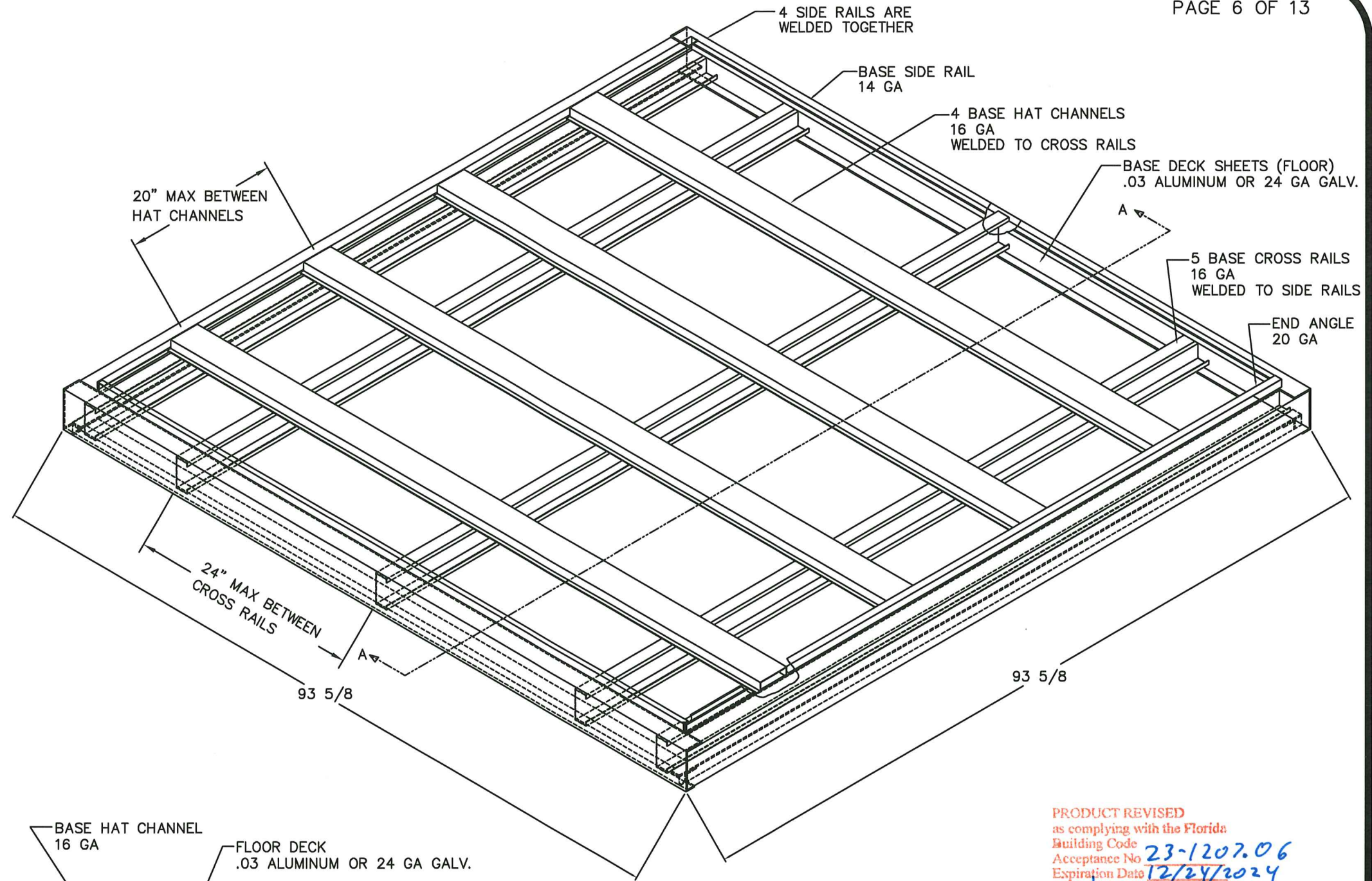
MIAMI DADE TEST CABINET
MIAMI, FL

MDTC-005
CONSTRUCTION DETAILS

DRAWN BY	D.R.
DATE	04/21/2013
SCALE	N/A
REVISION #	4
DWG. NAME	TESTCABINET-NOA



SEASONS 4



PRODUCT REVISED
 as complying with the Florida
 Building Code
 Acceptance No 23-1207.06
 Expiration Date 12/24/2024
 By *Hedy A. Miller*
 Miami Dade Product Control

SEE PAGE 7 FOR BASE DECK SHEET ASSEMBLY

LEGEND

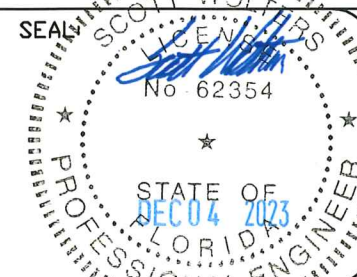
Ⓜ HINGED ACCESS DOOR

REV. #	BY	DATE	DESCRIPTION
0	D.R.	04/21/2013	ORIGINAL ISSUE
1	D.R.	04/26/2013	ADDED BOTTOM PANNING AND FOAM INSULATION.
2	D.R.	05/09/2013	INCREASED UNIT WIDTH BY 69 5/8.

CONSTRUCTION DETAILS
 BASE FRAME ASSEMBLY

SCOTT WOLTERS
 FL PE# 62354

WOLTERS ENGINEERING
 (COA# 27194)
 15211 97TH ROAD N
 WEST PALM BEACH, FL 33412
 PH/FAX: (561) 225-1982



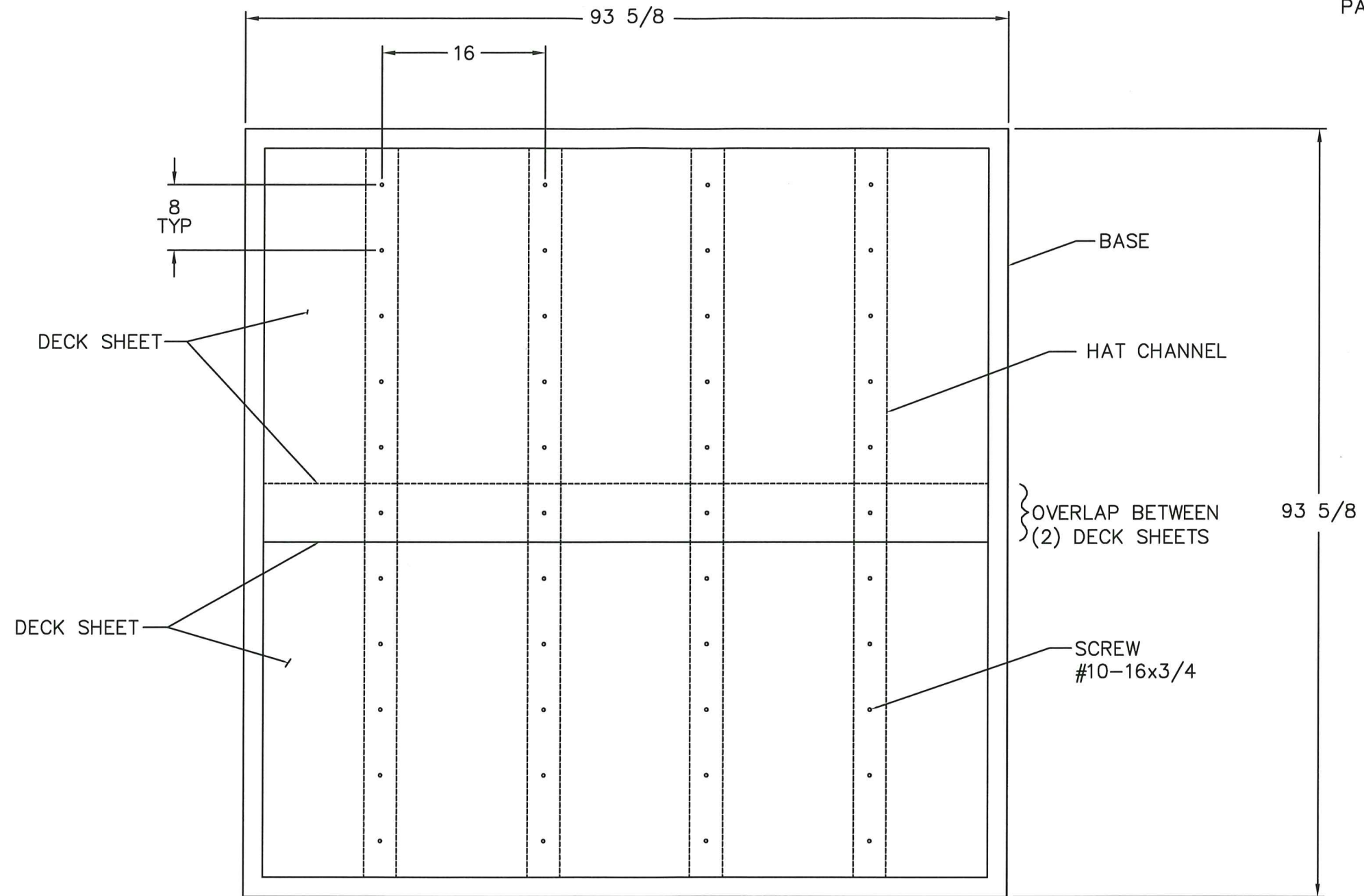
DIMENSIONAL DATA

MIAMI DADE TEST CABINET
 MIAMI, FL

MDTC-006
 CONSTRUCTION DETAILS

DRAWN BY	D.R.
DATE	04/21/2013
SCALE	N/A
REVISION #	2
DWG. NAME	TESTCABINET-NOA

J:\B500-B599\B505\Drafting\TESTCABINET-NOA



PRODUCT REVISED -
 as complying with the Florida
 Building Code
 Acceptance No. 23-1207.06
 Expiration Date 12/24/2024
 By *Helga A. Wolter*
 Miami Dade Product Control

LEGEND

Ⓜ HINGED ACCESS DOOR

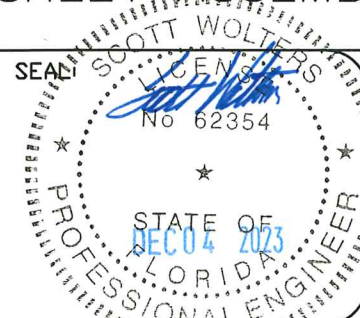
BASE DECK SHEET ASSEMBLY

J:\B500-B599\B505\Drafting\TESTCABINET-NOA

REV. #	BY	DATE	DESCRIPTION
0	D.R.	10/7/2014	ORIGINAL ISSUE

SCOTT WOLTERS
 FL PE# 62354

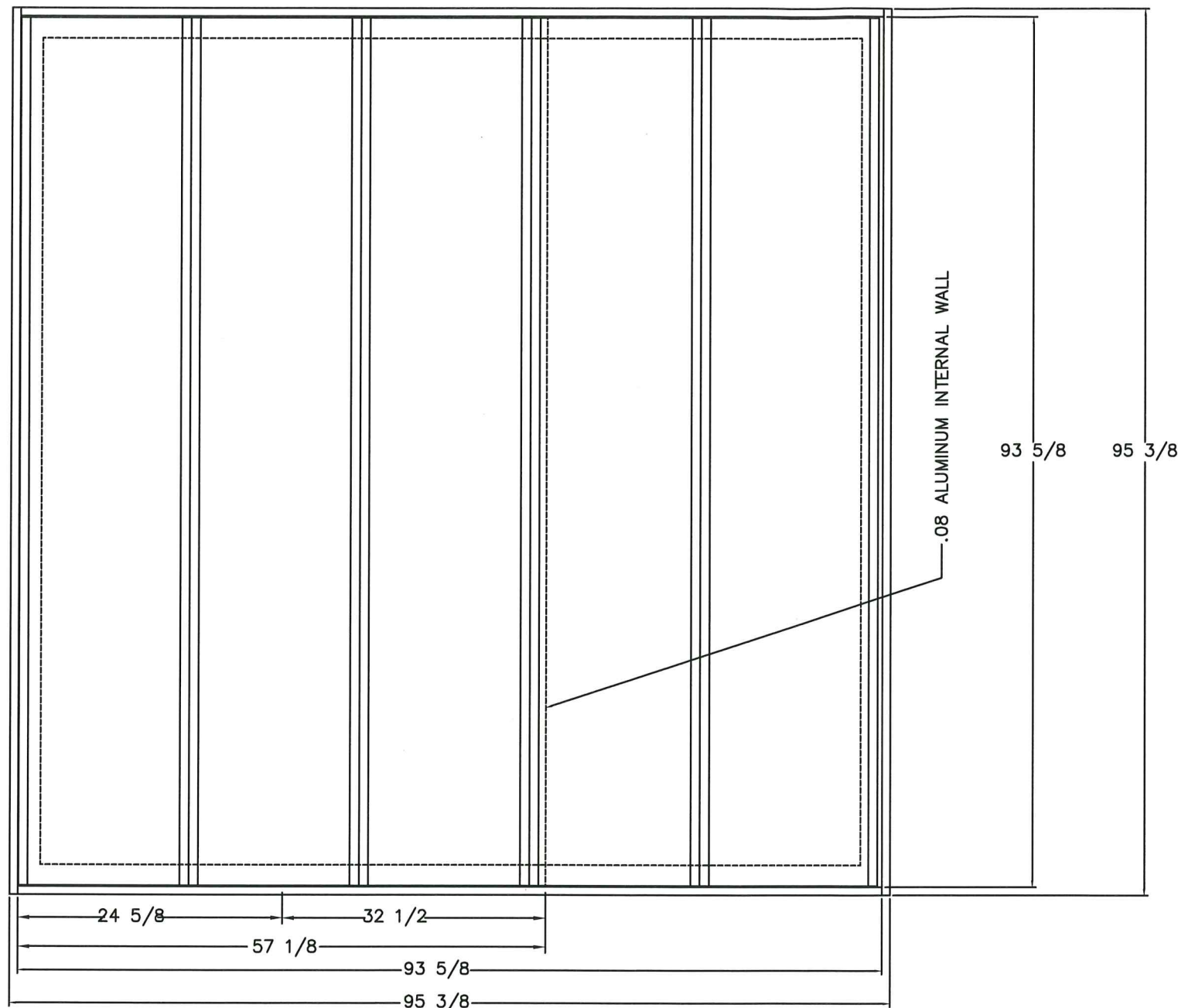
WOLTERS ENGINEERING
 (COA# 27194)
 15211 97TH ROAD N
 WEST PALM BEACH, FL 33412
 PH/FAX: (561) 225-1982



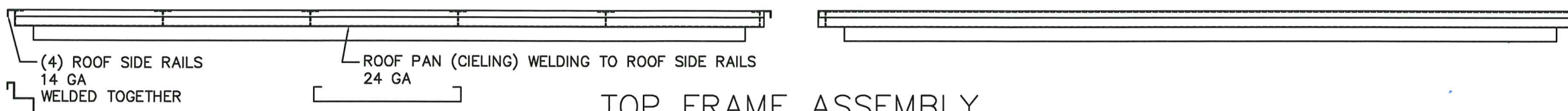
DIMENSIONAL DATA

MIAMI DADE TEST CABINET
 MIAMI, FL
 MDTC-007
 CONSTRUCTION DETAILS

DRAWN BY	D.R.
DATE	10/7/2014
SCALE	N/A
REVISION #	0
DWG. NAME	TESTCABINET-NOA



PRODUCT REVISED
 as complying with the Florida
 Building Code
 Acceptance No 23-1207.06
 Expiration Date 12/24/2024
 By [Signature]
 Miami Dade Product Control



TOP FRAME ASSEMBLY

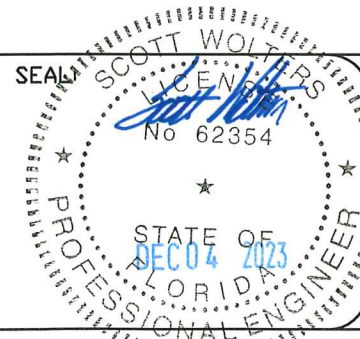
LEGEND

(H)	HINGED ACCESS DOOR
-----	--------------------

REV. #	BY	DATE	DESCRIPTION
0	D.R.	04/21/2013	ORIGINAL ISSUE
1	D.R.	05/09/2013	MADE UNIT 69 5/8 WIDER.
2	D.R.	10/09/2013	REVISED POST SPACING AND BRACING.
3	D.R.	08/27/2014	REVISED SECTION VIEW NOTE.
4	D.R.	10/7/2014	ADDED SCREWS.

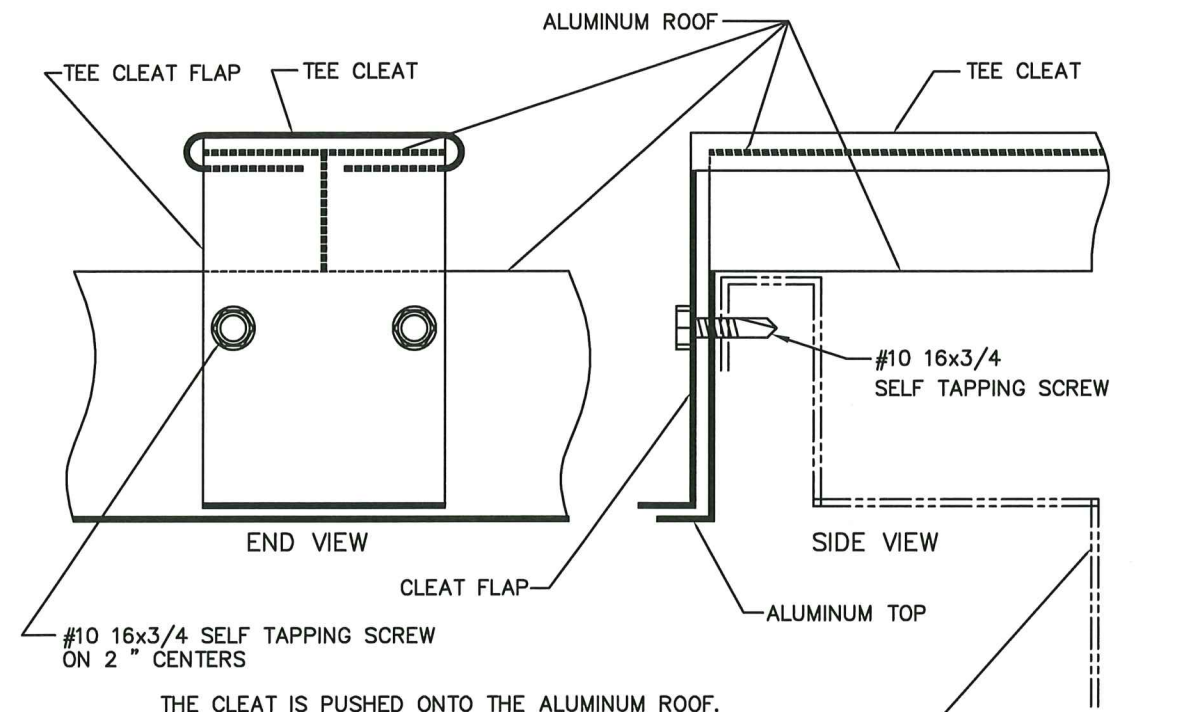
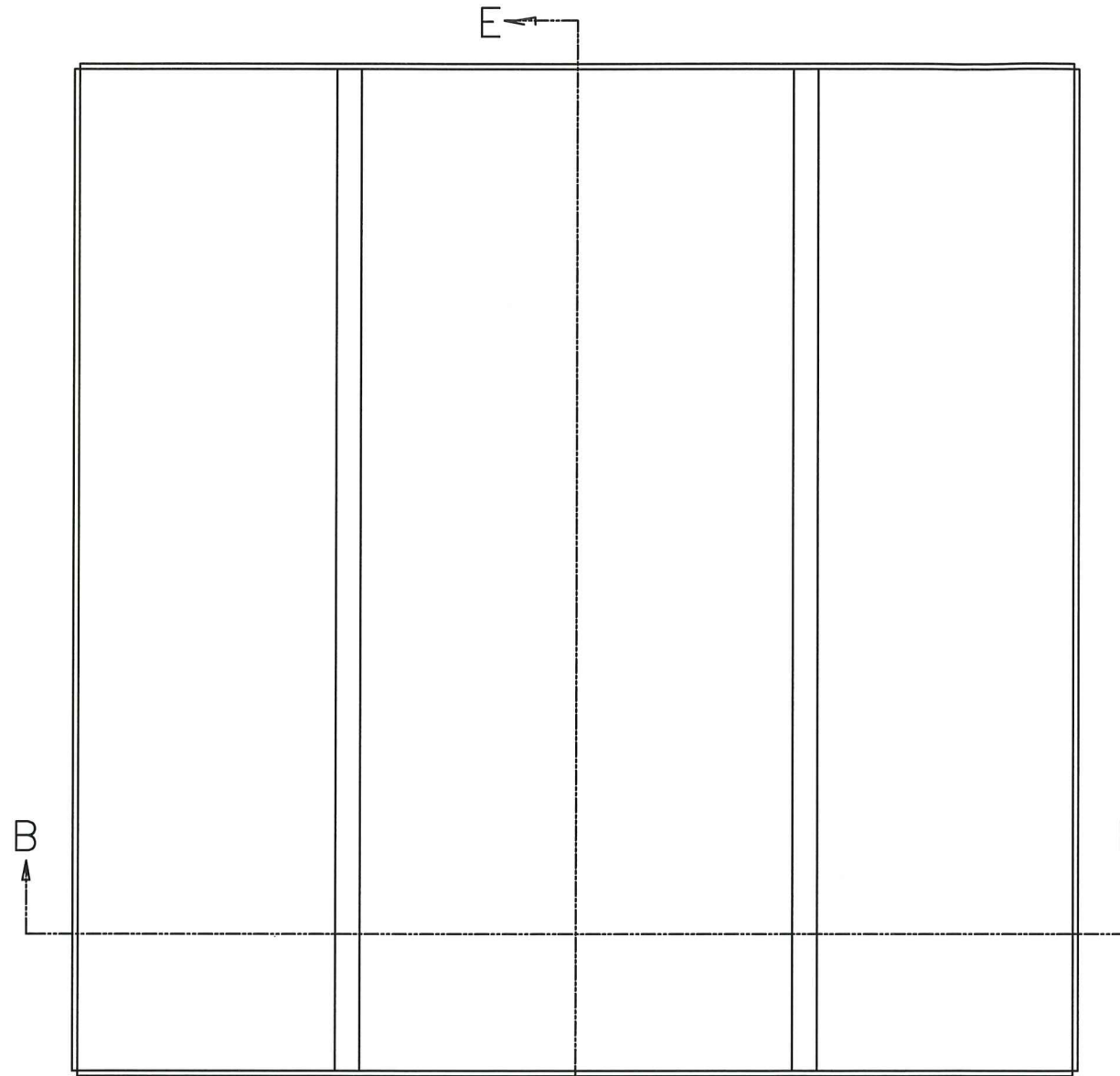
SCOTT WOLTERS
 FL PE# 62354

WOLTERS ENGINEERING
 (COA# 27194)
 15211 97TH ROAD N
 WEST PALM BEACH, FL 33412
 PH/FAX: (561) 225-1982

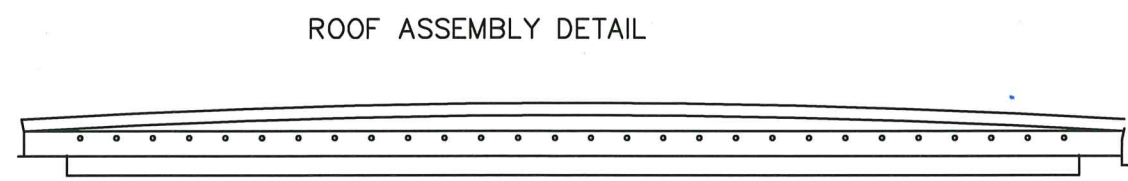
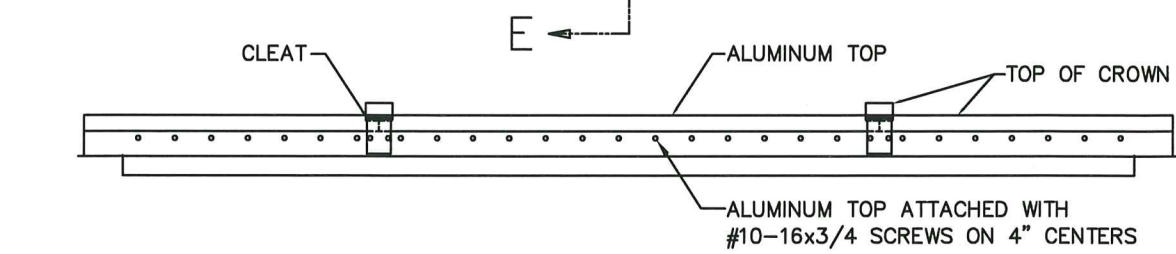


J: \B500-B599\B505\Drafting\TESTCABINET-NOA

DIMENSIONAL DATA	DRAWN BY	D.R.
MIAMI DADE TEST CABINET	DATE	04/21/2013
MIAMI, FL	SCALE	N/A
MDTC-008	REVISION #	4
CONSTRUCTION DETAILS	DWG. NAME	TESTCABINET-NOA



THE CLEAT IS PUSHED ONTO THE ALUMINUM ROOF. FLANGES WHERE 2 TOPS JOIN TOGETHER. THE TEE CLEAT RUNS THE WIDTH OF THE ROOF. THE TEE CLEAT HAS METAL STICKING OUT AT EACH END. THIS METAL IS BENT DOWN ON EACH END TO FORM THE FLAPS WHICH HOLD THE TEE CLEAT IS PLACE. THE FLAPS ARE SCREWED INTO THE TOP FRAME.



TOP (COMPLETE ASSEMBLY)

REFER TO DRAWING 10 FOR SECTION VIEWS
REFER TO DRAWING 13 FOR ROOF AND PANEL DETAILS

PRODUCT REVISED
as complying with the Florida
Building Code
Acceptance No 23-1207.06
Expiration Date 12/29/2024
By *Heidi A. Walters*
Miami Dade Product Control

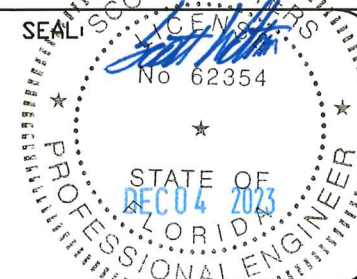
LEGEND

Ⓜ HINGED ACCESS DOOR

REV. #	BY	DATE	DESCRIPTION
0	D.R.	04/21/2013	ORIGINAL ISSUE
1	D.R.	05/09/2013	MADE UNIT 69 5/8 WIDER.
2	D.R.	10/09/2013	REVISED POST SPACING AND BRACING.
3	D.R.	08/27/2014	REVISED SECTION VIEW NOTE.
4	D.R.	10/7/2014	ADDED SCREWS.

SCOTT WOLTERS
FL PE# 62354

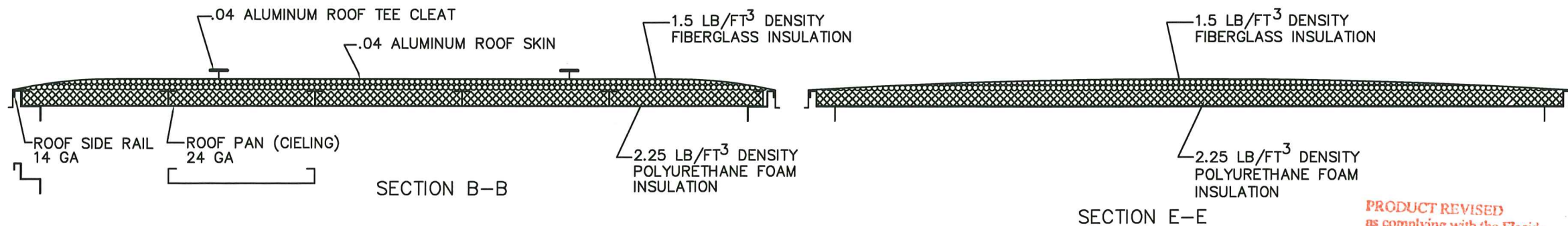
WOLTERS ENGINEERING
(COA# 27194)
15211 97TH ROAD N
WEST PALM BEACH, FL 33412
PH/FAX: (561) 225-1982



J:\B500-B599\B505\Drafting\TESTCABINET-NOA

DIMENSIONAL DATA
MIAMI DADE TEST CABINET
MIAMI, FL
MDTC-009
CONSTRUCTION DETAILS

DRAWN BY	D.R.
DATE	04/21/2013
SCALE	N/A
REVISION #	4
DWG. NAME	TESTCABINET-NOA



PRODUCT REVISED
 as complying with the Florida
 Building Code
 Acceptance No 23-1207.06
 Expiration Date 12/24/2024
 By Heidi A. Miller
 Miami Dade Product Control

TOP (COMPLETE ASSEMBLY) SECTIONS
 REFER TO DRAWING 9 FOR SECTION CUTS

J: \B500-B599\B505\Drafting\TESTCABINET-NOA

LEGEND

Ⓜ HINGED ACCESS DOOR

REV. #	BY	DATE	DESCRIPTION
0	D.R.	04/21/2013	ORIGINAL ISSUE
1	D.R.	05/09/2013	MADE UNIT 69 5/8 WIDER.
2	D.R.	10/09/2013	REVISED POST SPACING AND BRACING.
3	D.R.	08/27/2014	REVISED SECTION VIEW NOTE.
4	D.R.	10/7/2014	ADDED SCREWS.

SCOTT WOLTERS
 FL PE# 62354

WOLTERS ENGINEERING
 (COA# 27194)
 15211 97TH ROAD N
 WEST PALM BEACH, FL 33412
 PH/FAX: (561) 225-1982

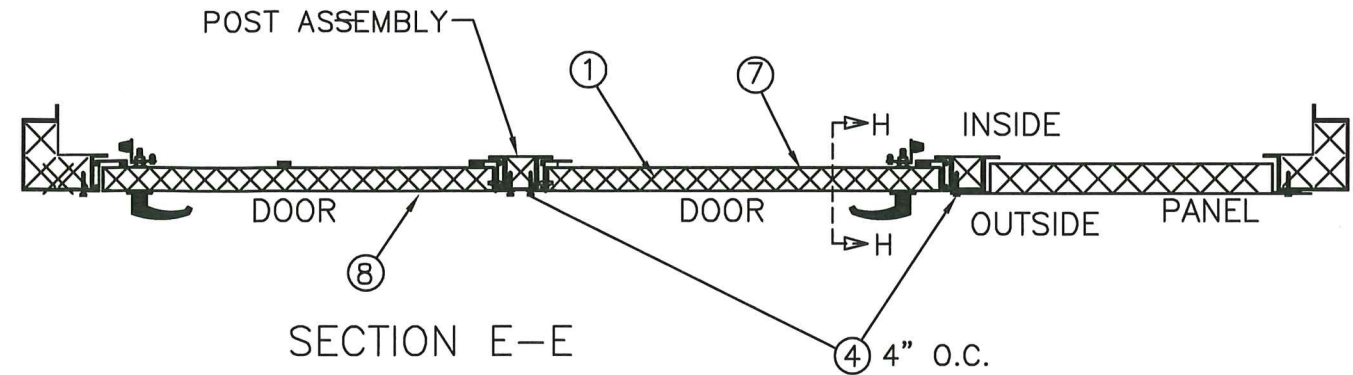
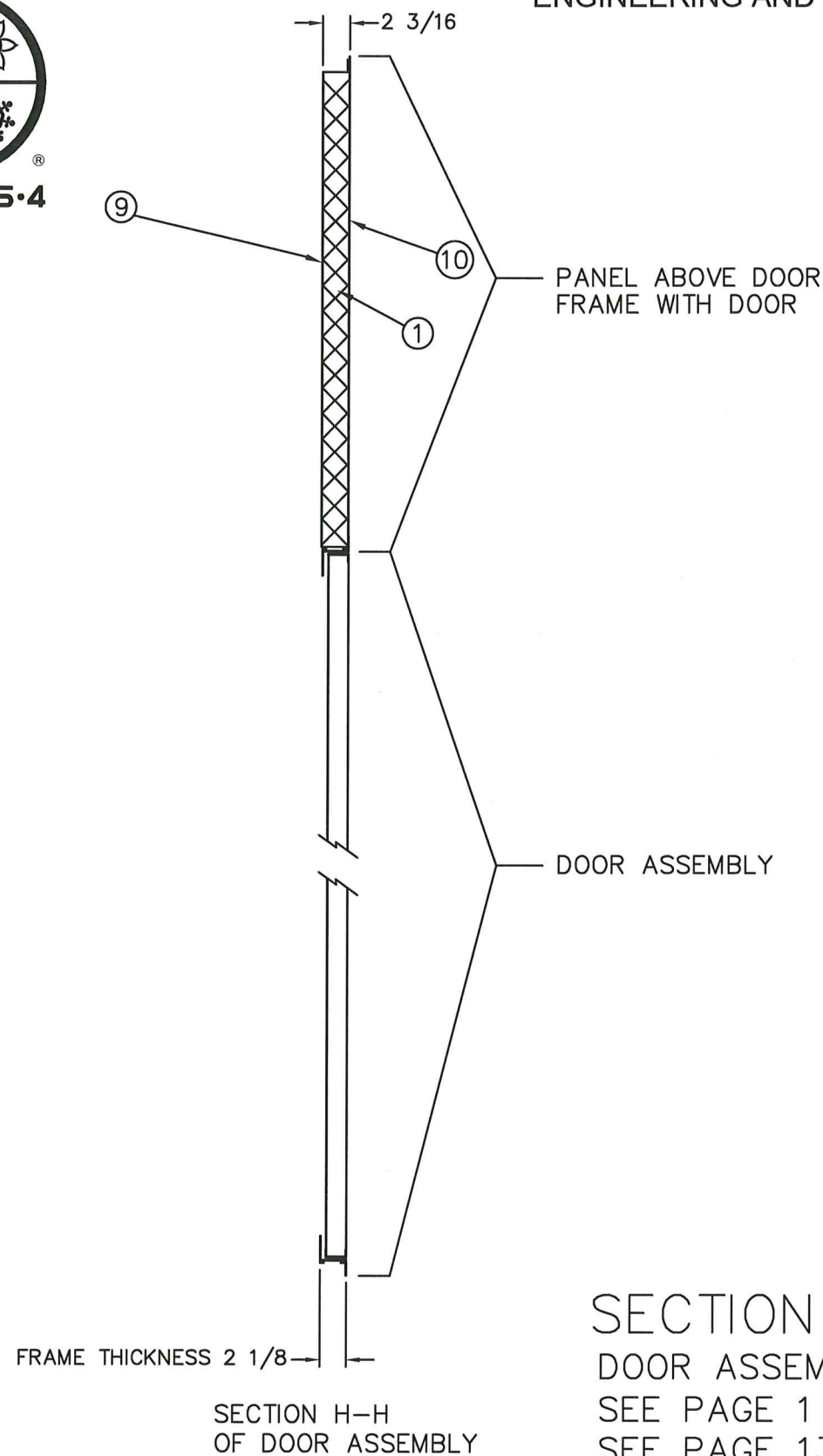


DIMENSIONAL DATA	
MIAMI DADE TEST CABINET	
MIAMI, FL	
MDTC-010	
CONSTRUCTION DETAILS	

DRAWN BY	D.R.
DATE	04/21/2013
SCALE	N/A
REVISION #	4
DWG. NAME	TESTCABINET-NOA



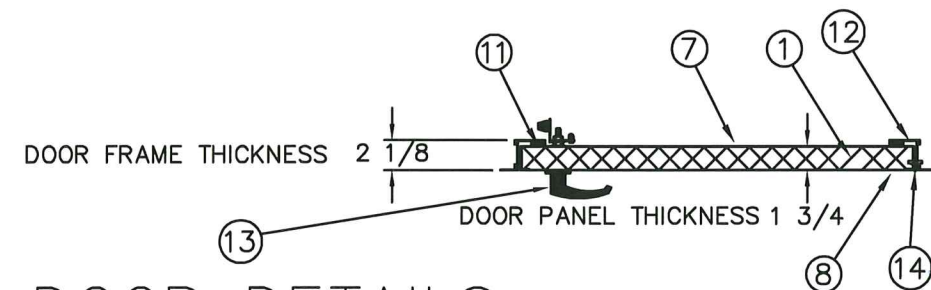
SEASONS-4



- ① 2.25 LB/FT³ DENSITY POLYURETHANE FOAM INSULATION
- ④ SELF TAPPING SCREW #10-16x3/4 STAINLESS STEEL
- ⑦ .04 ALUMINUM DOOR LINER
- ⑧ .04 ALUMINUM CASING DOOR
- ⑨ .04 ALUMINUM DOOR PANEL LINER
- ⑩ .04 ALUMINUM DOOR PANEL
- ⑪ DOOR GASKET AT PERIMETER OF ALL DOOR PANELS
- ⑫ EXTRUDED AND WELDED DOOR FRAME
- ⑬ DOOR HANDLE ASSEMBLY
- ⑭ ALUMINUM POP RIVETS @ 24" CENTERS ATTACHING HINGE TO DOOR PANEL AND DOOR FRAME

PRODUCT REVISED
 as complying with the Florida
 Building Code
 Acceptance No. 23-1207.06
 Expiration Date 12/24/2024
 By *Hedy A. Miller*
 Miami Door Product Control

- DOOR HARDWARE:
- 1. ROLLER CAM
 - 2. LATCHING MECHANISM
 - 3. DOOR HANDLE
 - 4. INTERLINK ARM



SECTION E-E SHOWING DOOR DETAILS

DOOR ASSEMBLY
 SEE PAGE 1 FOR SECTION E-E CUT
 SEE PAGE 13 FOR DOOR ASSEMBLY DETAILS

J:\B500-B599\B505\Drafting\TESTCABINET-NOA

REV. #	BY	DATE	DESCRIPTION
0	DR	10/7/2014	ORIGINAL ISSUE

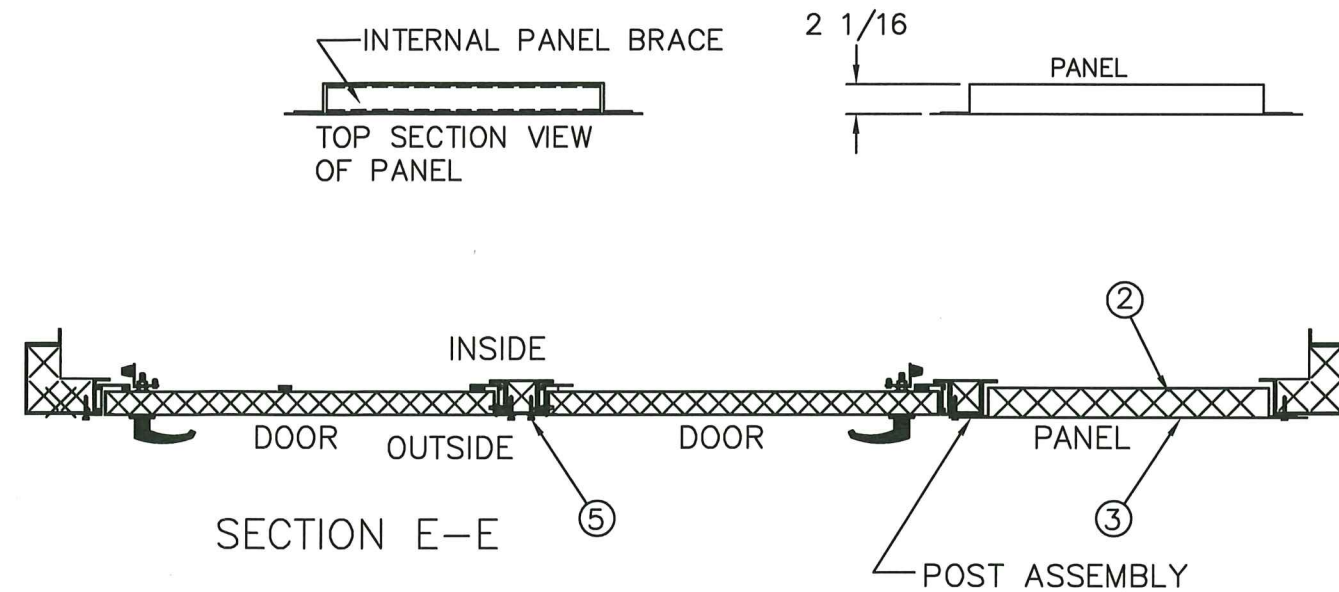
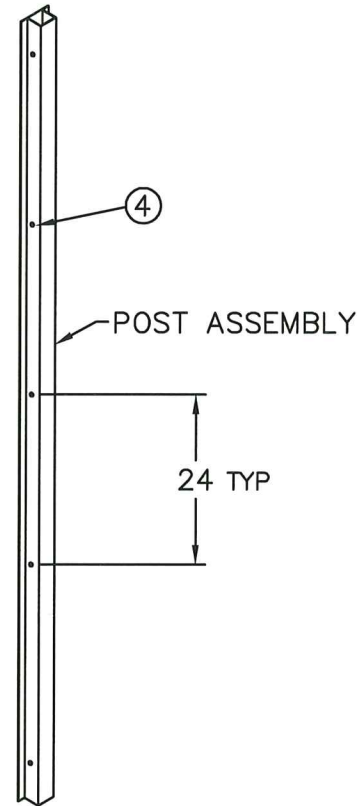
SCOTT WOLTERS
 FL PE# 62354

WOLTERS ENGINEERING
 (COA# 27194)
 15211 97TH ROAD N
 WEST PALM BEACH, FL 33412
 PH/FAX: (561) 225-1982

SEAL
 SCOTT WOLTERS
 LICENSED PROFESSIONAL ENGINEER
 No 62354
 STATE OF FLORIDA
 DEC 04 2023

DIMENSIONAL DATA	
MIAMI DADE TEST CABINET	
MIAMI, FL	
MDTC-011	
CONSTRUCTION DETAILS	

DRAWN BY	DR
DATE	10/7/2014
SCALE	N/A
REVISION #	0
DWG. NAME	TESTCABINET-NOA



- ① 2.25 LB/FT³ DENSITY POLYURETHANE FOAM INSULATION
- ② .04 ALUMINUM OR 24 GA GALVANIZED PANEL LINER
- ③ .04 ALUMINUM PANEL CASING
- ④ SELF TAPPING SCREW #8-18x1/2 STAINLESS STEEL @ 24" CENTERS
- ⑤ SELF TAPPING SCREW #10-16x3/4 STAINLESS STEEL @ 4" CENTERS
- ⑥ 16 GA POST
- ⑦ 24 GA POST LINER

PRODUCT REVISED
 as complying with the Florida
 Building Code
 Acceptance No 23-1207.06
 Expiration Date 12/24/2024
 By Hugh A. Miller
 Miami Dade Product Control

SECTION E-E SHOWING PANEL DETAILS AND POST DETAILS

PANEL AND POST ASSEMBLY
 SEE DRAWING 1 FOR SECTION E-E CUT

J:\B500-B599\B505\Drafting\TESTCABINET-NOA

REV. #	BY	DATE	DESCRIPTION
0	DR	10/7/2014	ORIGINAL ISSUE

SCOTT WOLTERS
 FL PE# 62354

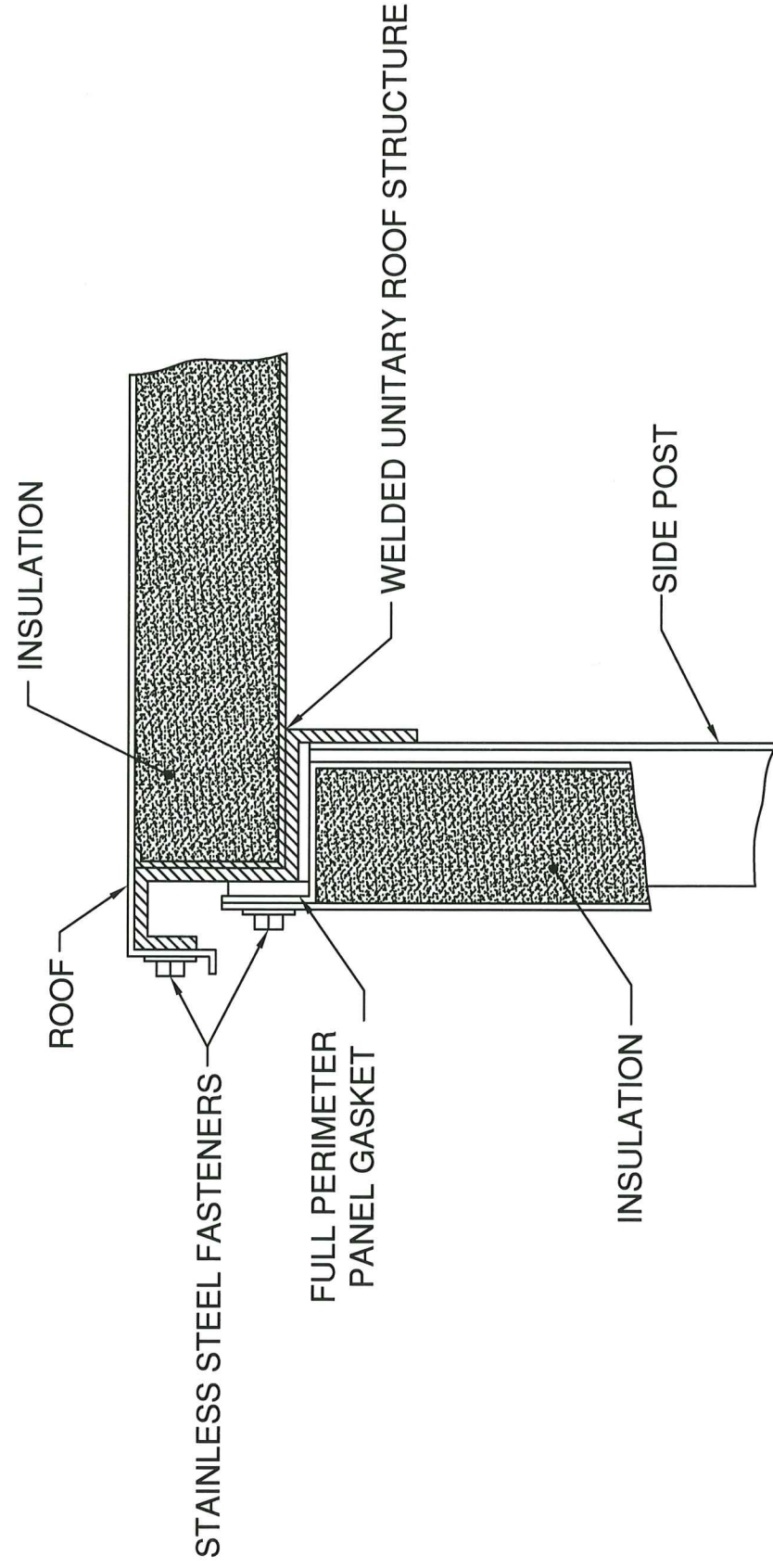
WOLTERS ENGINEERING
 (COA# 27194)
 15211 97TH ROAD N
 WEST PALM BEACH, FL 33412
 PH/FAX: (561) 225-1982

SEAL: SCOTT WOLTERS
 No 62354
 STATE OF FLORIDA
 PROFESSIONAL ENGINEER
 DEC 04 2023

DIMENSIONAL DATA
MIAMI DADE TEST CABINET
MIAMI, FL
MDTC-012
CONSTRUCTION DETAILS

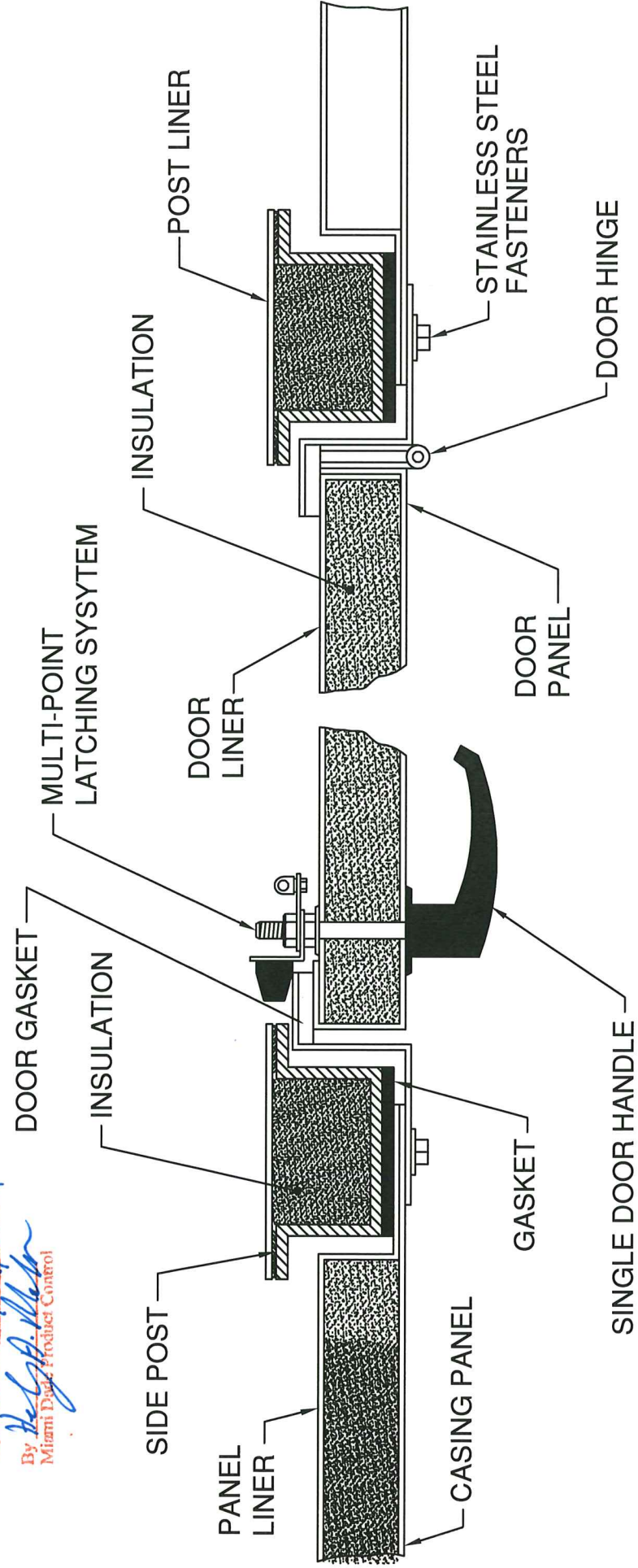
DRAWN BY	DR
DATE	10/7/2014
SCALE	N/A
REVISION #	0
DWG. NAME	TESTCABINET-NOA

ROOF AND PANEL DETAILS



PRODUCT REVISED
 as complying with the Florida
 Building Code
 Acceptance No. 23-1207.06
 Expiration Date 12/24/2024
 By: *Scott Wolters*
 Miami Dade Product Control

DOOR AND PANEL DETAILS



REV. #	BY	DATE	DESCRIPTION
0	DR	10/22/2014	ORIGINAL ISSUE

SCOTT WOLTERS FL PE# 62354	MIAMI DADE TEST CABINET	DRAWN BY DR
VOLTERS ENGINEERING (COA# 27194) 15211 97TH ROAD N WEST PALM BEACH, FL 33412 PH/FAX: (561) 225-1982	MIAMI, FL	DATE 10/7/2014
STATE OF FLORIDA RECO 4 2023	MDTC-13	SCALE N/A
	CONSTRUCTION DETAILS	REVISION # 0
		DWG. NAME TESTCABINET-NOA

J: \B500-B599\B505\Drafting\TESTCABINET-NOA

