



DEPARTMENT OF REGULATORY AND ECONOMIC RESOURCES
BOARD AND CODE ADMINISTRATION DIVISION

MIAMI-DADE COUNTY
PRODUCT CONTROL SECTION
11805 SW 26 Street, Room 208
Miami, Florida 33175-2474
T (786) 315-2590 F (786) 315-2599

www.miamidade.gov/economy

NOTICE OF ACCEPTANCE (NOA)

All Season Fencing Ltd.
350 Flint Road
Toronto, Ontario, Canada, M3J 2J4

SCOPE:

This NOA is being issued under the applicable rules and regulations governing the use of construction materials. The documentation submitted has been reviewed and accepted by Miami-Dade County RER- Product Control Section to be used in Miami Dade County and other areas where allowed by the Authority Having Jurisdiction (AHJ).

This NOA shall not be valid after the expiration date stated below. The Miami-Dade County Product Control Section (In Miami Dade County) and/or the AHJ (in areas other than Miami Dade County) reserve the right to have this product or material tested for quality assurance purposes. If this product or material fails to perform in the accepted manner, the manufacturer will incur the expense of such testing and the AHJ may immediately revoke, modify, or suspend the use of such product or material within their jurisdiction. RER reserves the right to revoke this acceptance if it is determined by Miami-Dade County Product Control Section that this product or material fails to meet the requirements of the applicable building code.

This product is approved as described herein and has been designed to comply with the High Velocity Hurricane Zone of the Florida Building Code.

DESCRIPTION: PVC Vinyl Fencing System

APPROVAL DOCUMENT: Drawing No. W1-24, titled "PVC Fence and Gate with Horizontal & Vertical Picket", sheets 1 through 10 of 10, prepared by All American Engineering & Consulting, LLC, dated 03/21/2024, signed and sealed by Carlos Lopez Reyes, P.E., on 03/21/2024, bearing the Miami-Dade County Product Control Approval stamp with the Notice of Acceptance number and the approval date by the Miami-Dade County Product Control Section.

MISSILE IMPACT RATING: None

LABELING: Each fence section shall bear a permanent label with the manufacturer's name or logo, city, state and the following statement: "Miami-Dade County Product Control Approved", unless otherwise noted herein.

RENEWAL of this NOA shall be considered after a renewal application has been filed and there has been no change in the applicable building code negatively affecting the performance of this product.

TERMINATION of this NOA will occur after the expiration date or if there has been a revision or change in the materials, use, and/or manufacture of the product or process. Misuse of this NOA as an endorsement of any product, for sales, advertising or any other purposes shall automatically terminate this NOA. Failure to comply with any section of this NOA shall be cause for termination and removal of NOA.

ADVERTISEMENT: The NOA number preceded by the words Miami-Dade County, Florida, and followed by the expiration date may be displayed in advertising literature. If any portion of the NOA is displayed, then it shall be done in its entirety.

INSPECTION: A copy of this entire NOA shall be provided to the user by the manufacturer or its distributors and shall be available for inspection at the job site at the request of the Building Official.

This NOA consists of page 1, evidence submitted page E-1 as well as approval document mentioned above.

The submitted documentation was reviewed by **Helmy A. Makar, P.E., M.S.**

Helmy A. Makar
04/04/24



NOA No. 23-1215.01
Expiration Date: 04/04/2025
Approval Date: 04/04/2024

All Season Fencing Ltd.

NOTICE OF ACCEPTANCE: EVIDENCE SUBMITTED

1. EVIDENCE SUBMITTED UNDER PREVIOUS APPROVAL # 06-1019.01

A. DRAWINGS

1. *Drawing No. W1-24, titled "PVC Fence and Gate with Horizontal & Vertical Picket", sheets 1 through 10 of 10, prepared by All American Engineering & Consulting, LLC, dated 03/21/2024, signed and sealed by Carlos Lopez Reyes, P.E., on 03/21/2024.*

B. TESTS

1. *Test report on Uniform Static Air Pressure Test, prepared by Exova, Report #15-06-M0271-2, dated 01/11/2016, signed by Jordan M. Church.*
2. *Test proposal from Intertek, dated 12/07/2023, for a Gravity Load test, the 4,500 hour Accelerated Weathering test.*

C. CALCULATIONS


1. *PVC Fence Design Calculation, dated 05/24/23, 10 pages, signed & sealed by Carlos Lopez Reyes, P.E., on 10/13/2023.*

D. QUALITY ASSURANCE

1. *By Miami-Dade County Building Code Compliance Office*

E. MATERIAL CERTIFICATIONS

1. *Manufacturer Specification Drawings.*
2. *Distributor Agreement, dated 12/14/23, signed by Moshe Yitzhack (Manufacturer) and Hiram del Amo (Distributor).*


Helmy A. Makar, P.E., M.S.
Product Control Section Supervisor
NOA No. 23-1215.01
Expiration Date: 04/04/2025
Approval Date: 04/04/2024

SPECIFICATIONS FOR PVC FENCE AND GATE WITH HORIZONTAL & VERTICAL PICKET

THESE PLANS CERTIFY THE STRUCTURAL ADEQUACY OF THE PROPOSED SYSTEM IN ACCORDANCE WITH THE STRUCTURAL REQUIREMENTS OF THE BUILDING CODE ONLY.

SCOPE OF WORK

PROVIDE STRUCTURAL DESIGN FOR A PVC FENCE AND GATE

GENERAL NOTES

- SHOULD ANY SPECIFIC CONDITION DIFFER FROM THAT SPECIFIED HEREIN, OR STANDARD FIELD CONDITIONS, ADDITIONAL SPECIFIC ENGINEERING MAY BE REQUIRED AS DETERMINED BY THE BUILDING INSPECTOR AND PERMITTING CONTRACTOR.
- DIMENSIONS ARE SHOWN TO ILLUSTRATE DESIGN FORCES AND OTHER DESIGN CRITERIA. THEY MAY VARY SLIGHTLY, BUT SHALL REMAIN IN CONFORMANCE WITH THE LIMITATIONS OF THIS PLAN. THE CONTRACTOR SHOULD VERIFY ALL FIELD DIMENSIONS PRIOR TO INSTALLATION, AND VERIFY THAT PROPOSED DIMENSIONS AND FIELD CONDITIONS AGREE WITH THIS PROPOSED PLAN. THESE DRAWINGS ARE NOT INTENDED TO BE USED AS FABRICATION OR SHOP DRAWINGS.
- ALL STRUCTURAL MEMBERS AS SHOWN HAVE BEEN DESIGNED TO CARRY IN PLACE DESIGN LOADS ONLY, THE CONTRACTORS SHALL BE RESPONSIBLE FOR THE SUPPORT OF ANY ADDITIONAL LOADS AND FORCES IMPOSED DURING MANUFACTURING, TRUCKING, ERECTING, AND HANDLING.
- CONSTRUCTION METHODS PROCEDURES, AND SEQUENCES ARE THE CONTRACTOR'S RESPONSIBILITY AND THE CONTRACTOR IS TO TAKE ALL THE NECESSARY MEANS TO MAINTAIN AND PROTECT THE STRUCTURAL INTEGRITY OF ALL CONSTRUCTION AT ALL STAGES.
- SOIL: THE SURROUNDING SOIL SHOULD HAVE 2500 PSF MIN. PER FBC 1806.2 SANDY GRAVEL CLASS OR BETTER ONLY, SHALL BE WELL COMPACTED BY MECHANICAL MEANS TO OPTIMAL DENSITY AND SHALL BE FREE OF ORGANIC MATERIAL.
- PVC MATERIAL: ALL PVC EXTRUSIONS SHALL BE MADE PER MANUFACTURE SPECIFICATIONS WITH PVC RESIN ASTM 1784 UNLESS NOTED OTHERWISE. SPECIFIC GRAVITY 1.46. TENSILE STRENGTH 6,100 PSI UNDER ASTM D-638 AND FLEXURAL STRENGTH 11,500 PSI UNDER ASTM D-790.
- STEEL MATERIAL: ALL STEEL REINFORCEMENT SHOULD BE 16Ga OR THICKER AND GALVANIZED.
- ALL CONCRETE AND EPOXY TO REACH A MINIMUM COMPRESSIVE STRENGTH OF 3000 PSI IN 7 DAYS. CONCRETE FOOTERS SHALL CONTAIN MINIMUM 0.1% FIBERMESH CONTENT PER CUBIC YARD. ALL EPOXY AND GROUT SHALL MEET OR EXCEED COMPRESSIVE STRENGTH OF THE CONCRETE AND SHALL BE IRON-FREE, NON-SHRINK AND NON-REACTIVE.
- ENGINEER SEAL AFFIXED HERETO VALIDATES STRUCTURAL DESIGN AS SHOWN ONLY. USE OF THIS SPECIFICATION BY CONTRACTOR, et. al. INDEMNIFIES & SAVES HARMLESS THIS ENGINEER FOR ALL COSTS & DAMAGES INCLUDING LEGAL FEES & APPELLATE FEES RESULTING FROM MATERIAL FABRICATION, SYSTEM ERECTION, & CONSTRUCTION PRACTICES BEYOND THAT WHICH IS CALLED FOR BY LOCAL, STATE, & FEDERAL CODES & FROM DEVIATIONS OF THIS PLAN. EXCEPT AS EXPRESSLY PROVIDED IN HEREIN, NO ADDITIONAL CERTIFICATIONS OR AFFIRMATIONS ARE INTENDED.
- THIS DOCUMENT CONTAINS INFORMATION RELEVANT TO THE NECESSARY STRUCTURAL REQUIREMENTS OF THE SYSTEM INSTALLATION. COMPONENTS AND FASTENERS NOT REFERENCED WHICH ARE PART OF THE INTERNAL FABRICATION OF THE SPECIFIED SYSTEMS SHALL BE PER MANUFACTURER PUBLISHED SPECIFICATIONS.
- ALL AMERICAN ENGINEERING & CONSULTING SHALL NOT BE HELD RESPONSIBLE OR LIABLE IN ANY WAY FOR ERRONEOUS OR INACCURATE DATA OR MEASUREMENTS. ALL AMERICAN ENGINEERING & CONSULTING SHALL BE NOTIFIED AND GIVEN AN OPPORTUNITY TO RE-EVALUATE OUR WORK UPON DISCOVERY OF ANY INACCURATE INFORMATION UPON DISCOVERY OF ANY NON-MATCHING FIELD CONDITIONS AND FABRICATION AND INSTALLATION OF MATERIALS.
- OMISSIONS/CONFLICTS: IN CASE OF OMISSIONS AND CONFLICTS BETWEEN PLANS, SPECIFICATIONS AND SITE CONDITIONS THE ENGINEER SHALL BE NOTIFIED BEFORE PROCEEDING WITH WORK.
- THE CONTRACTOR IS RESPONSIBLE TO INSULATE DISSIMILAR METALS TO PREVENT ELECTROLYSIS.
- ALL AMERICAN ENGINEERING & CONSULTING HAS NOT VISITED THE JOB-SITE. DIMENSIONS SHOWN HEREIN ARE IN CONTRACTOR SUPPLIED DATA.

DESIGN LOAD:

FENCE
WIND LOAD AS PER ASCE 7-22
KD=0.85
WIND VELOCITY AS PER ASCE 7-22 & FBC 2023 SECTION 1616.2.1
Vasd=75MPH OR Vult = 115MPH (3 SEC GUST), EXPOSURE 'C'.

CALCULATIONS:

In accordance with FBC 2023 and ASCE 7-22:

Wind load Calculation:	General Data:
v(mph): 75	L(ft): 6.25
Exposure: C	H(ft): 6
Gust Factor: 0.85	PVC PARTS
Cf: 1.52	Specific Gravity, ±0.02 1.46 D-792
Kd: 0.85	Tensile Strength (psi) 6,100 D-638
h (ft): 6	Tensile Modulus (psi) 360,000 D-638
qz(psf): 14.68	Flexural Strength (psi) 11,500 D-790
Design Pressure: 13.21 PSF	Flexural Modulus (psi) 430,000 D-790
	Heat Deflection Temp 161 D-648
	@264 psi, °F

Post Design:

5"x5" H-POST PVC	
Mmax.(lb-in)	22,291.2
Sx(cu in)	6.77
fb(psi)	Mmax/Sx
fb(psi)	3,293
fb(psi)<Fb	OK



Approved as complying with the
Florida Building Code
Date 04/04/25
NOA# 23-1215.01
Miami Dade Product Control
By Healy A. Mc



PRODUCT: PVC FENCE AND GATE WITH HORIZONTAL & VERTICAL PICKET
MANUFACTURE/DISTRIBUTOR: ALL SEASON FENCING LTD./ELITE PVC, LLC



ALL AMERICAN
ENGINEERING &
CONSULTING, LLC.
11248 SW 132 CT WEST
MIAMI, FLORIDA 33186
(786) 448-0384

NO.	BY	DATE	REVISIONS

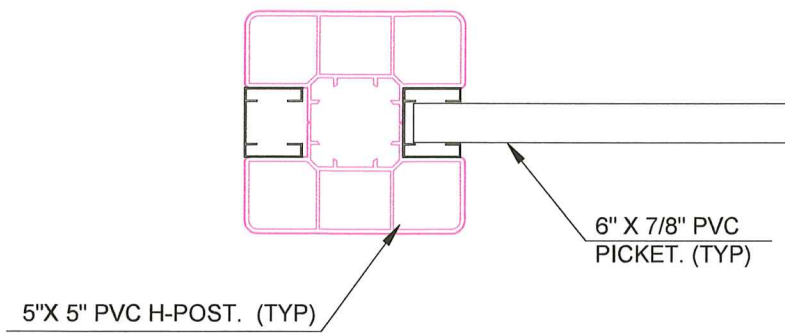
SHEET TITLE:
GENERAL NOTES

SCALE: N.T.S.

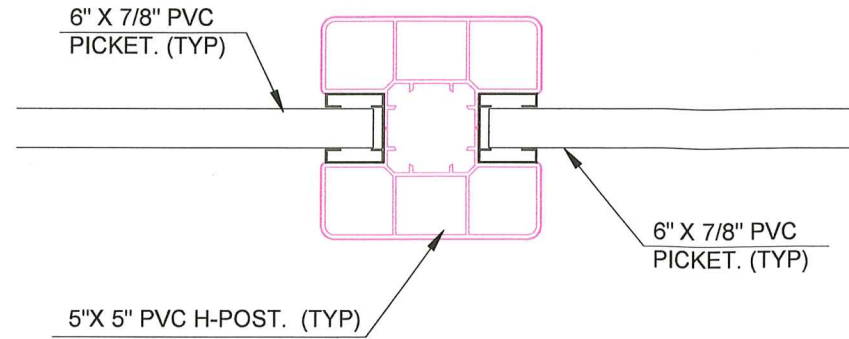
DRAWN BY: C.L. DATE: 03-21-24
CHK'D. BY: DATE:

DRAWING NO. W1-24
SHEET NO. 1 OF 10

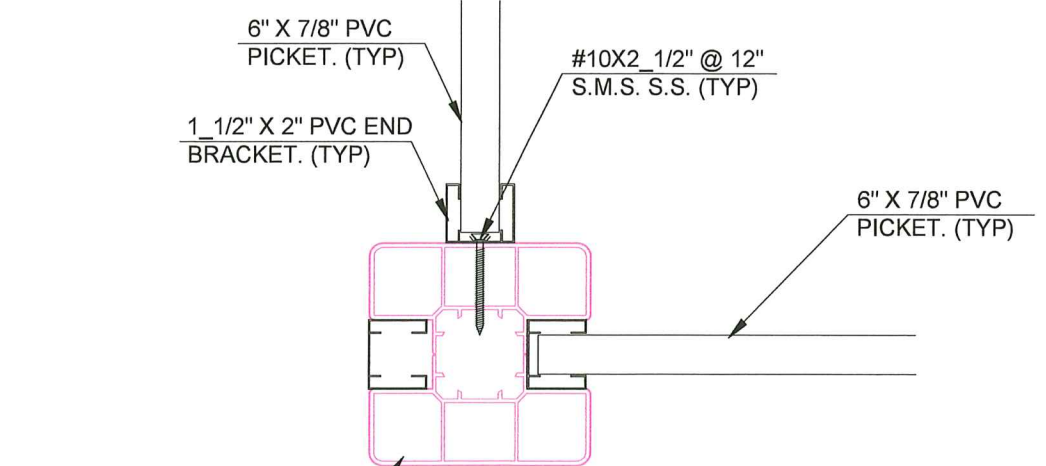
SPECIFICATIONS FOR PVC FENCE AND GATE WITH HORIZONTAL PICKET



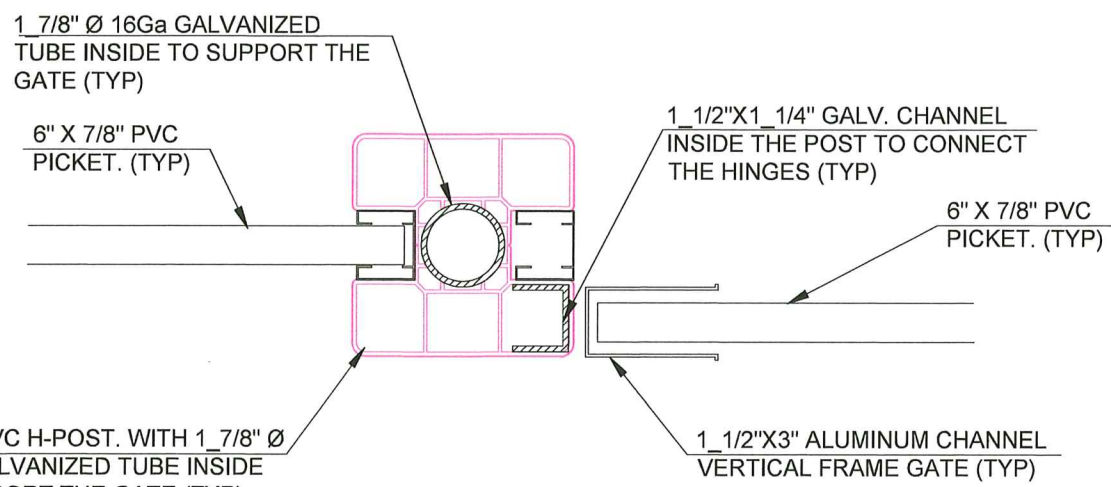
4 END POST TYP
N.T.S. DETAIL



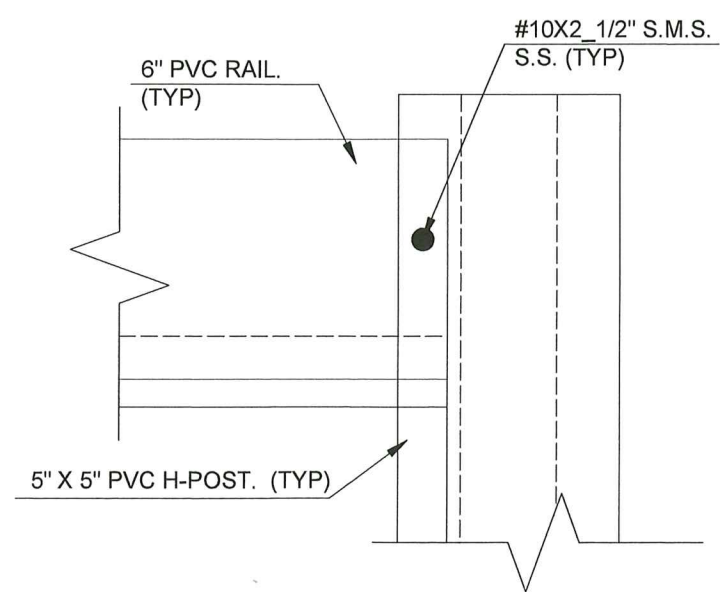
5 INTERIOR POST TYP
N.T.S. DETAIL



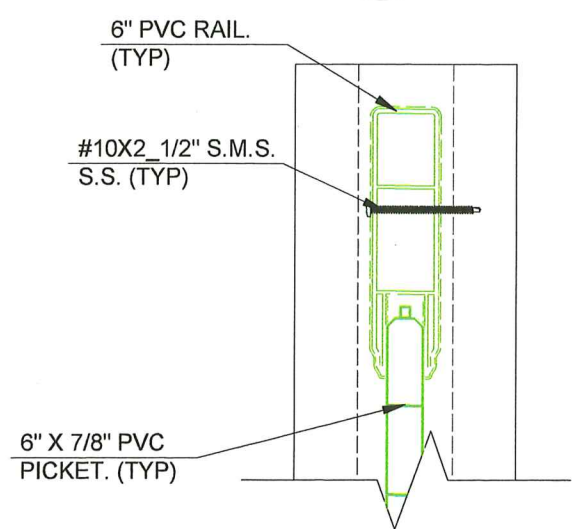
6 CORNER POST TYP
N.T.S. DETAIL



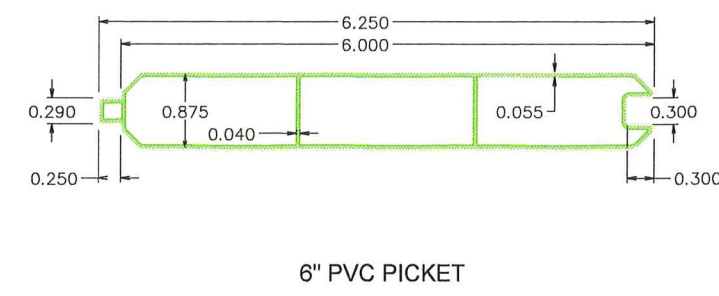
7 GATE POST TYP
N.T.S. DETAIL



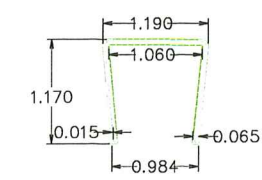
8 CONNECTION RAIL-POST TYP
N.T.S. DETAIL



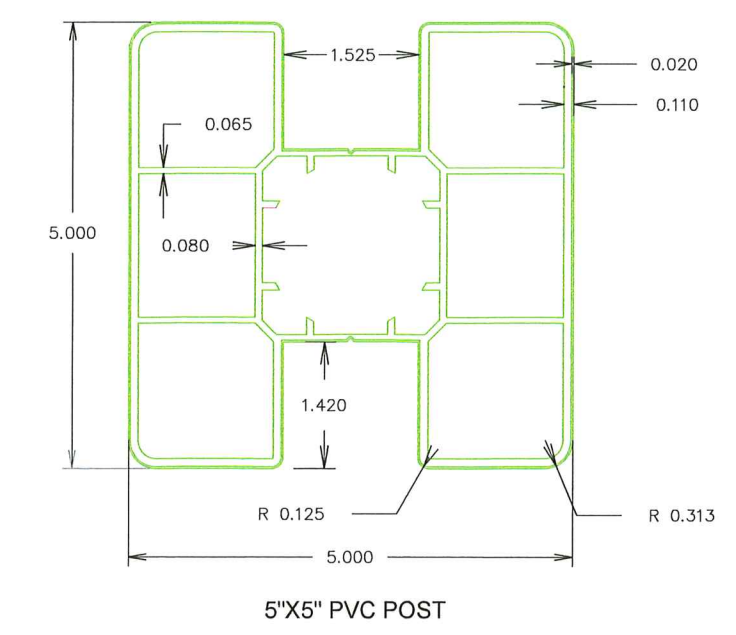
9 CONNECTION RAIL-PICKETS TYP
N.T.S. DETAIL



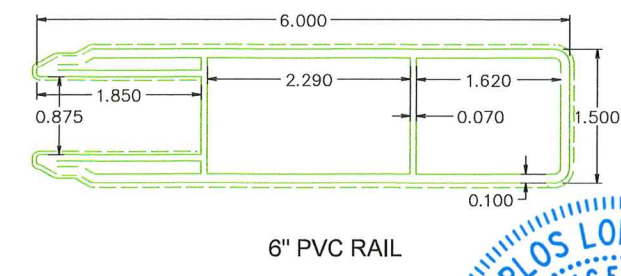
6" PVC PICKET



"U" CHANNEL FOR PICKET



5"X5" PVC POST



6" PVC RAIL

Approved as complying with the Florida Building Code
Date 04/04/25
NOA# 23-1215.01
Miami Dade Product Control
By *Helga A. Meier*



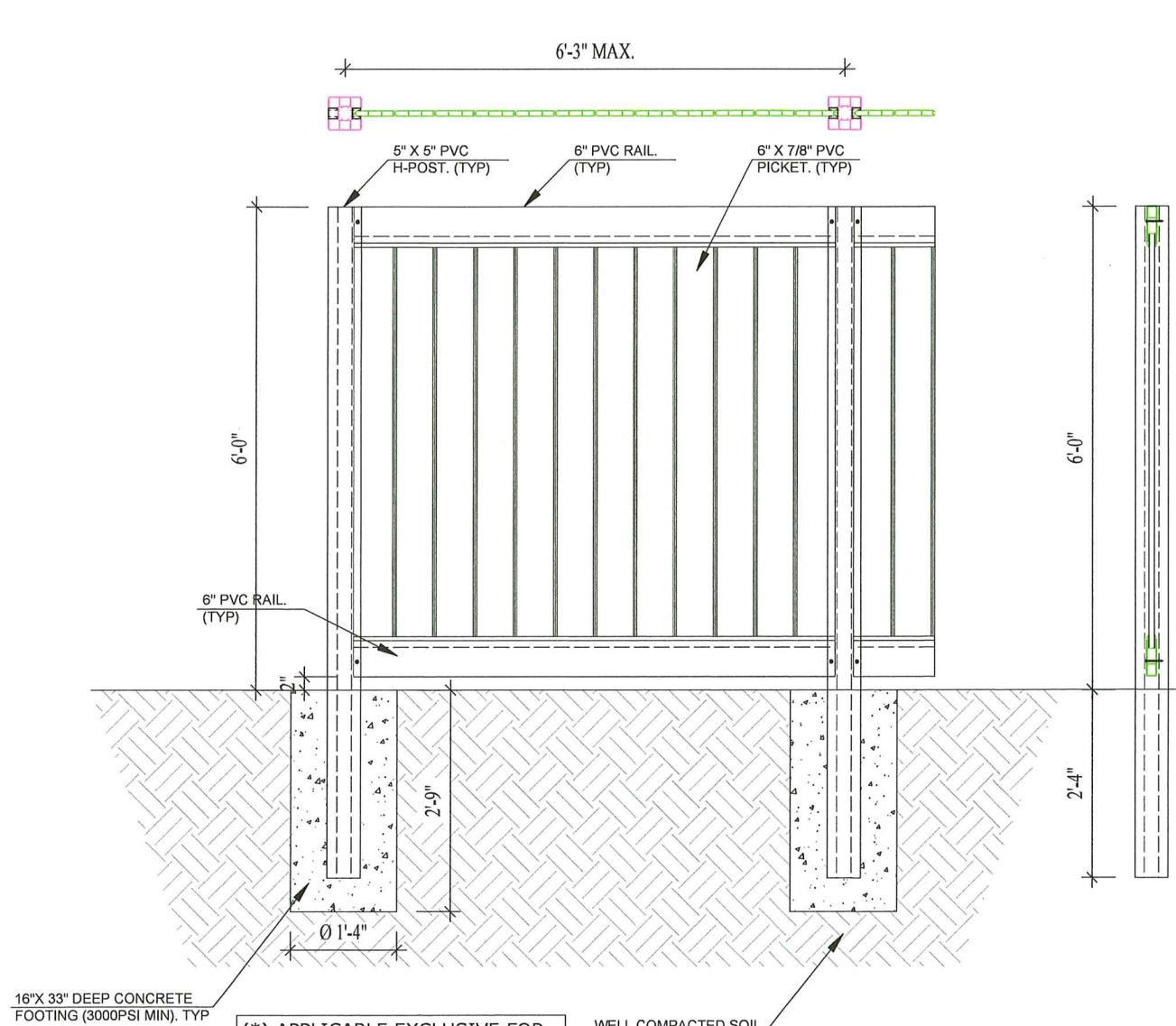
PRODUCT: PVC FENCE AND GATE WITH HORIZONTAL & VERTICAL PICKET
MANUFACTURE/DISTRIBUTOR: ALL SEASON FENCING LTD./ELITE PVC, LLC

ALL AMERICAN
ENGINEERING & CONSULTING, LLC.
11248 SW 132 CT WEST
MIAMI, FLORIDA 33186
(786) 448-0384

NO.	REVISIONS	DATE	BY

SHEET TITLE: DETAILS
SCALE: N.T.S.
DRAWN BY: C.L. DATE: 03-21-24
CHK'D. BY: DATE:
DRAWING NO. W1-24
SHEET NO. 4 OF 10

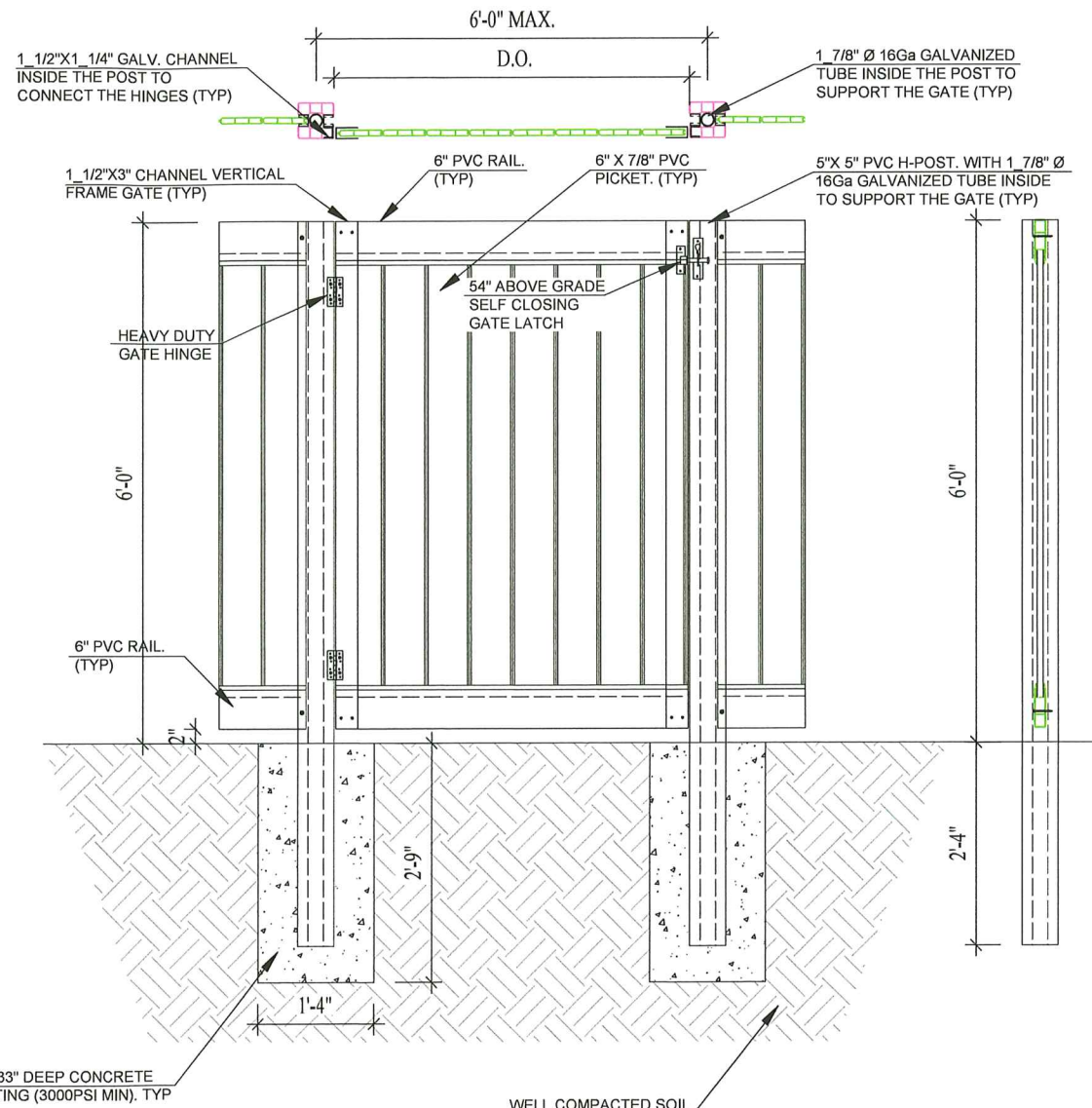
SPECIFICATIONS FOR PVC FENCE AND GATE WITH HORIZONTAL PICKET



(*) APPLICABLE EXCLUSIVE FOR SANDY GRAVEL AND/OR GRAVEL (GW AND GP) OR SEDIMENTARY AND FOLIATED ROCK SOILS.

(*) IF THE SOIL IS: SAND, SILTY SAND, CLAYEY SAND, SILTY GRAVEL AND CLAYEY GRAVEL (SW, SP, SM, SC, GM AND GC). FOOTING SHOULD BE Ø 1'-4" X 3'-6" DEEP

10 PVC FENCE
N.T.S. ELEVATION VIEW



(*) APPLICABLE EXCLUSIVE FOR SANDY GRAVEL AND/OR GRAVEL (GW AND GP) OR SEDIMENTARY AND FOLIATED ROCK SOILS.

(*) IF THE SOIL IS: SAND, SILTY SAND, CLAYEY SAND, SILTY GRAVEL AND CLAYEY GRAVEL (SW, SP, SM, SC, GM AND GC). FOOTING SHOULD BE Ø 1'-4" X 3'-6" DEEP

11 SINGLE GATE
N.T.S. ELEVATION VIEW

Approved as complying with the Florida Building Code
Date 04/09/25
NOA# 23-1215.01
Miami Dade Product Control
By *Helga M...*



PRODUCT: PVC FENCE AND GATE WITH HORIZONTAL & VERTICAL PICKET
MANUFACTURE/DISTRIBUTOR: ALL SEASON FENCING LTD./ELITE PVC, LLC

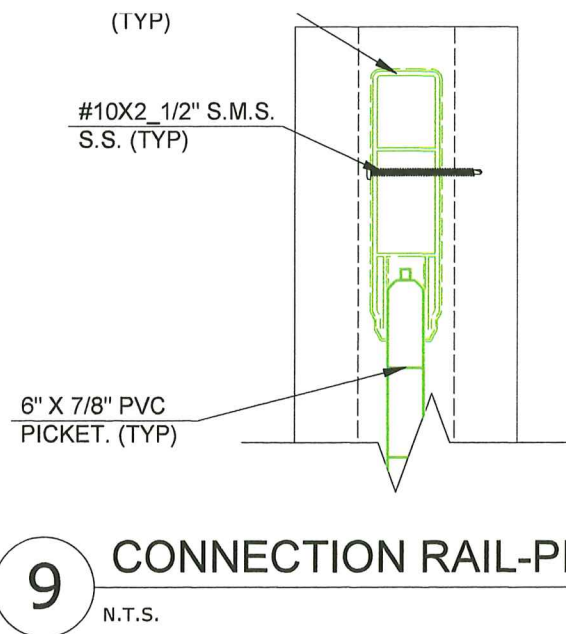
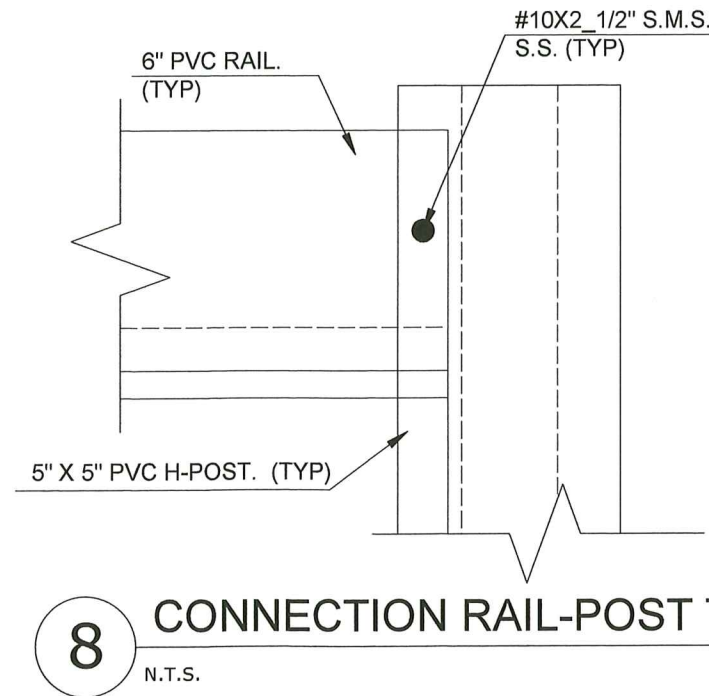
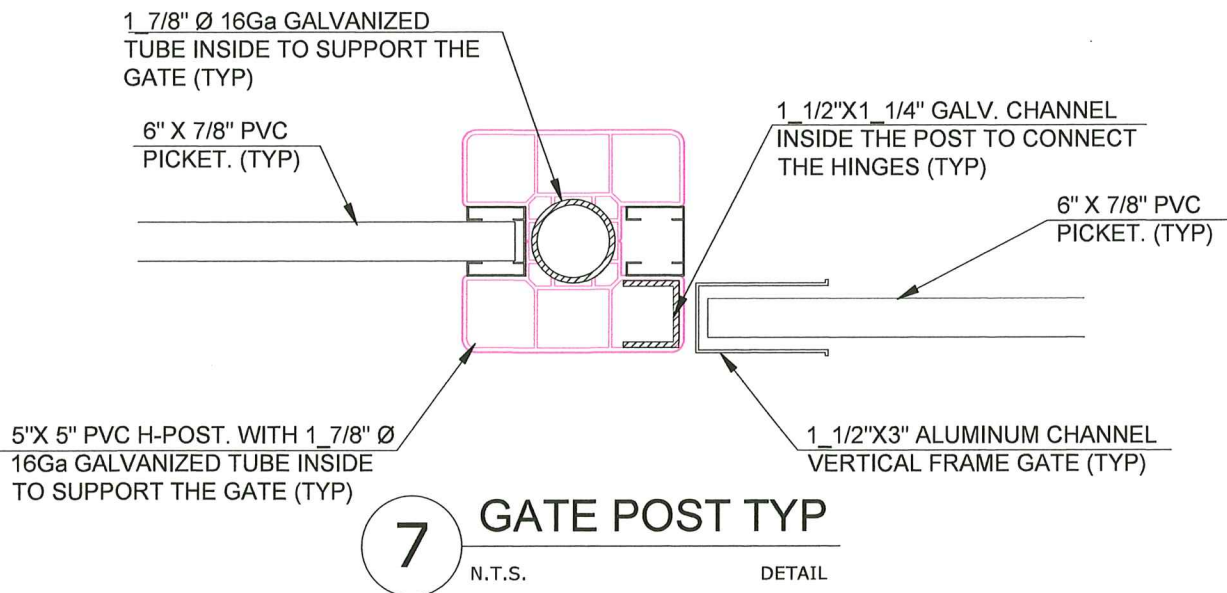
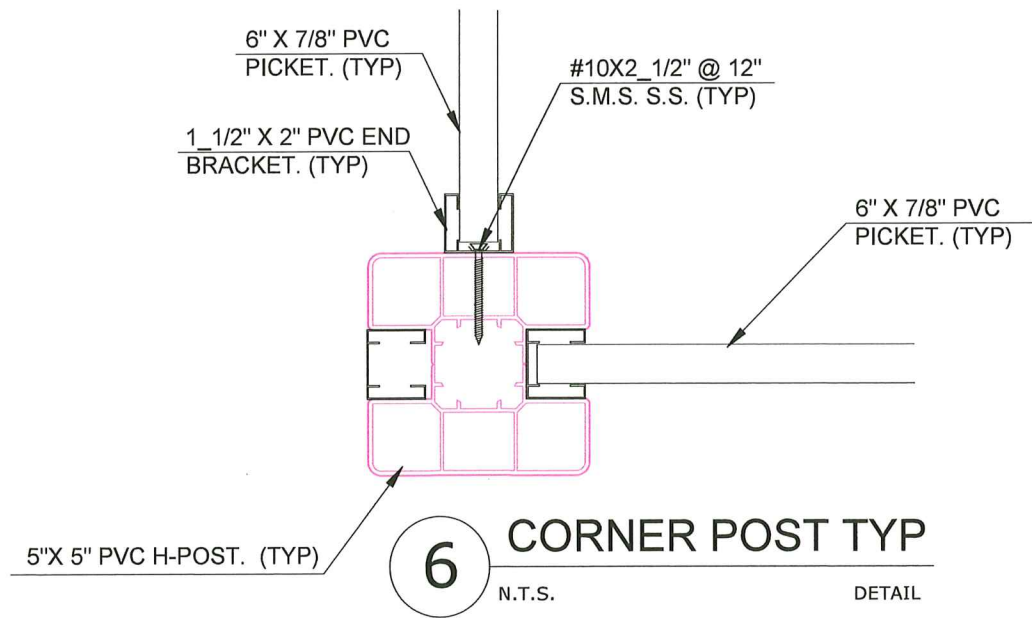
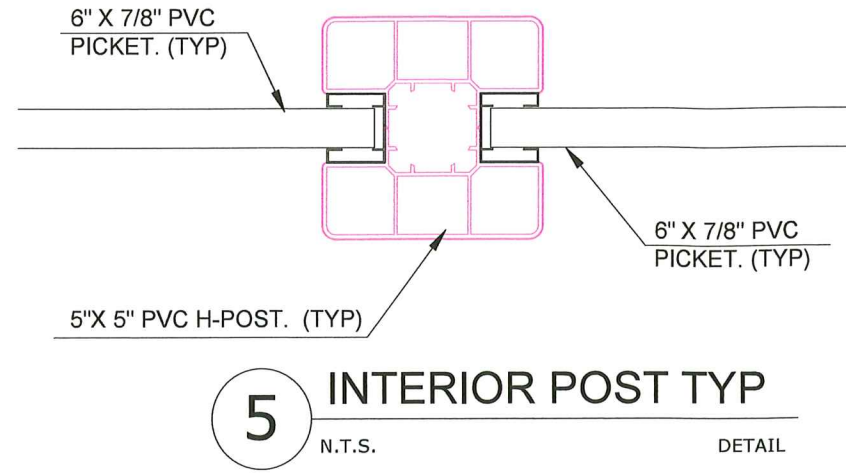
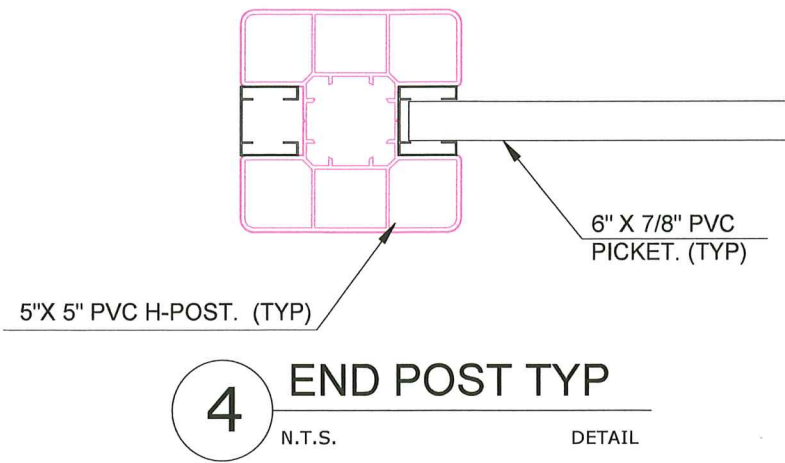


ALL AMERICAN ENGINEERING & CONSULTING, LLC.
11248 SW 132 CT WEST
MIAMI, FLORIDA 33186
(786) 448-0384

NO.	BY	DATE

SHEET TITLE: ELEVATION FENCE & SINGLE GATE	
SCALE: N.T.S.	DATE: 03-21-24
DRAWN BY: C.L.	DATE:
CHK'D. BY:	DATE:
DRAWING NO. W1-24	
SHEET NO. 5 OF 10	

SPECIFICATIONS FOR PVC FENCE AND GATE WITH HORIZONTAL PICKET



Approved as complying with the Florida Building Code
 Date 04/04/25
 NOA# 23-1215.01
 Miami Dade Product Control
 By Hely A. M. M.



PRODUCT: PVC FENCE AND GATE WITH HORIZONTAL & VERTICAL PICKET
 MANUFACTURE/DISTRIBUTOR: ALL SEASON FENCING LTD./ELITE PVC, LLC

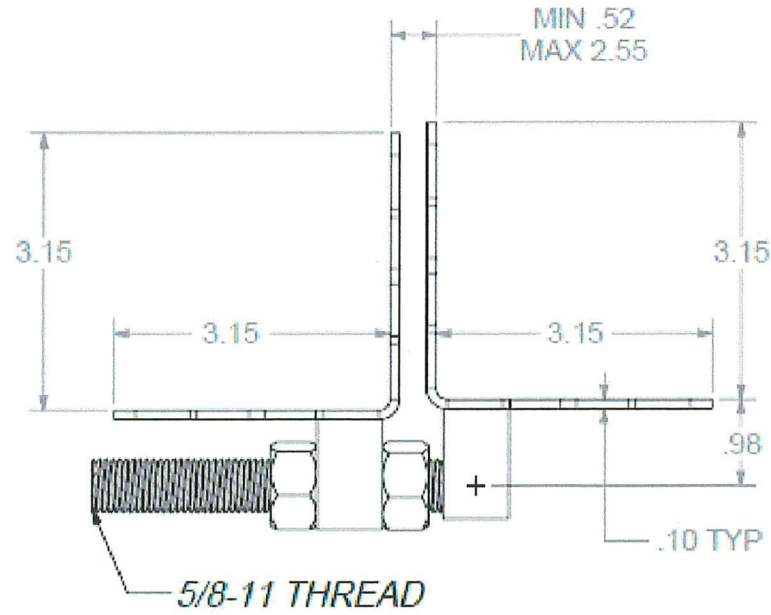
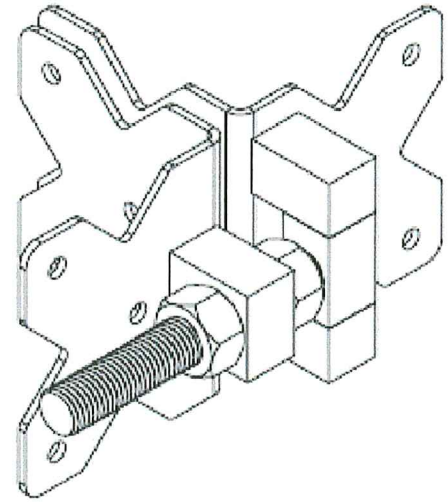
ALL AMERICAN
 ENGINEERING &
 CONSULTING, LLC.
 11248 SW 132 CT WEST
 MIAMI, FLORIDA 33186
 (786) 448-0384

NO.	BY	DATE	REVISIONS

SHEET TITLE: DETAILS
 SCALE: N.T.S.
 DRAWN BY: C.L. DATE: 03-21-24
 CHK'D. BY: DATE:
 DRAWING NO. W1-24
 SHEET NO. 7 OF 10

SPECIFICATIONS FOR PVC FENCE AND GATE WITH HORIZONTAL PICKET

PART #	COLOR	SCREW
NW38954-SSBD	BLACK	SELF DRILLING
NW38954-SSB	BLACK	SHEET METAL
NW38954-SSW	WHITE	SHEET METAL

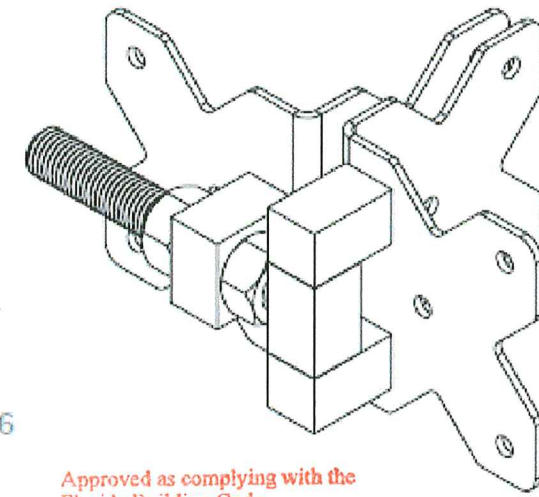
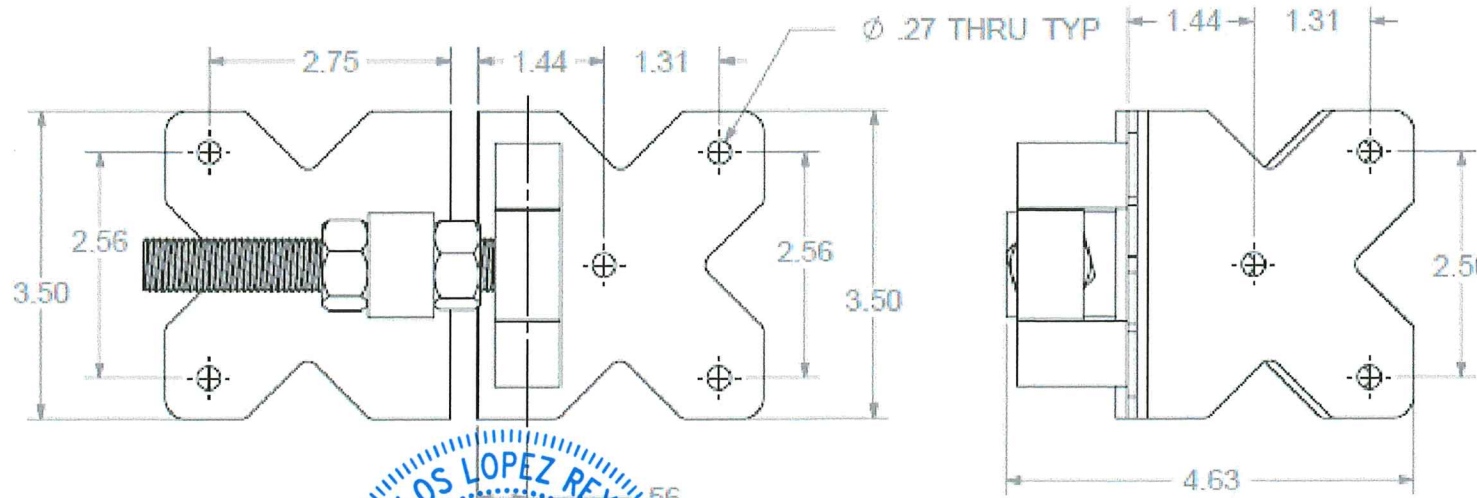
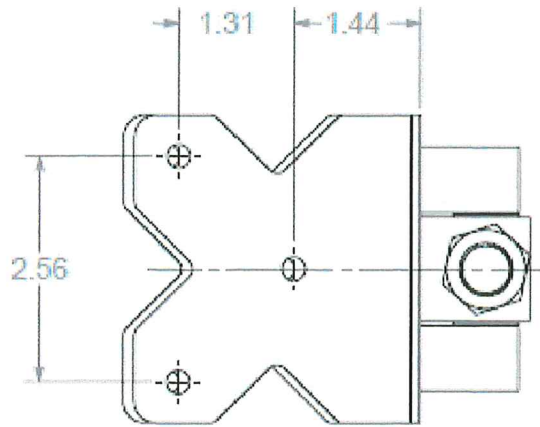


**SELF DRILLING
HINGE MOUNTING SCREW
(24) #14 x 1.0" SS SELF DRILLING
HEX WASHER HEAD SCREW**

OR

**SHEET METAL
HINGE MOUNTING SCREW
(24) #14 X 3/4" 316 SS PHILIPS
PAN HEAD SCREWS**

(2) HINGE ASSEMBLIES



Approved as complying with the
Florida Building Code
Date 04/04/25
NOA#23-125.01
Miami Dade Product Control
By *Heidi A. Miller*

- NOTES:
- PART TO HAVE A NON-ABRASIVE FINISH.
 - PART TO HAVE MIN. DRAFT ANGLE AS TOOLING REQUIRES.
 - ANY AND ALL CHANGES TO MATERIAL OR FINISH MUST BE APPROVED BY NWI.
 - ALL DIAMETERS TO BE CONCENTRIC WITHIN .005 UNLESS OTHERWISE SPECIFIED.
 - ALL CORNERS TO BE .015 MAX R OR CHAMFER OR OTHERWISE NOTED.
 - ALL DIMENSIONS ARE FINISHED PART DIMENSIONS.
 - POWDERCOAT FINISH TO BE INTERPON 600 OR NWI APPROVED EQUIVALENT.



PROPRIETARY AND CONFIDENTIAL
THE INFORMATION CONTAINED IN THIS DRAWING IS THE SOLE PROPERTY OF NATIONWIDE INDUSTRIES. ANY REPRODUCTION IN PART OR AS A WHOLE WITHOUT THE WRITTEN PERMISSION OF NATIONWIDE INDUSTRIES IS PROHIBITED.

DIMENSIONS ARE IN INCHES
TOLERANCES:
FRACTIONAL ±1/16"
ANGULAR: MACH ±1° BEND ±1°
TWO PLACE DECIMAL ±0.01
THREE PLACE DECIMAL ±0.005

NAME	DATE
DRAWN: AM	8/20/15
CHECKED: -	-
ENG APPR: -	-
MFG APPR: -	-
QA: -	-

COMMENTS:

MATERIAL: 12 GA. 304 SS
FINISH: POWDER COAT

APPLICATION: DO NOT SCALE DRAWING

NATIONWIDE INDUSTRIES
HEAVY DUTY ADJ. HINGE, SS
CS--NW38954

SCALE: 1:1 WEIGHT: SHEET 1 OF 1

PRODUCT: PVC FENCE AND GATE WITH HORIZONTAL & VERTICAL PICKET
MANUFACTURE/DISTRIBUTOR: ALL SEASON FENCING LTD./ELITE PVC, LLC

ALL AMERICAN
ENGINEERING & CONSULTING, I.L.C.
11248 SW 132 CT WEST
MIAMI, FLORIDA 33186
(786) 448-0384

NO.	BY	DATE	REVISIONS

SHEET TITLE: HINGES

SCALE: N.T.S.

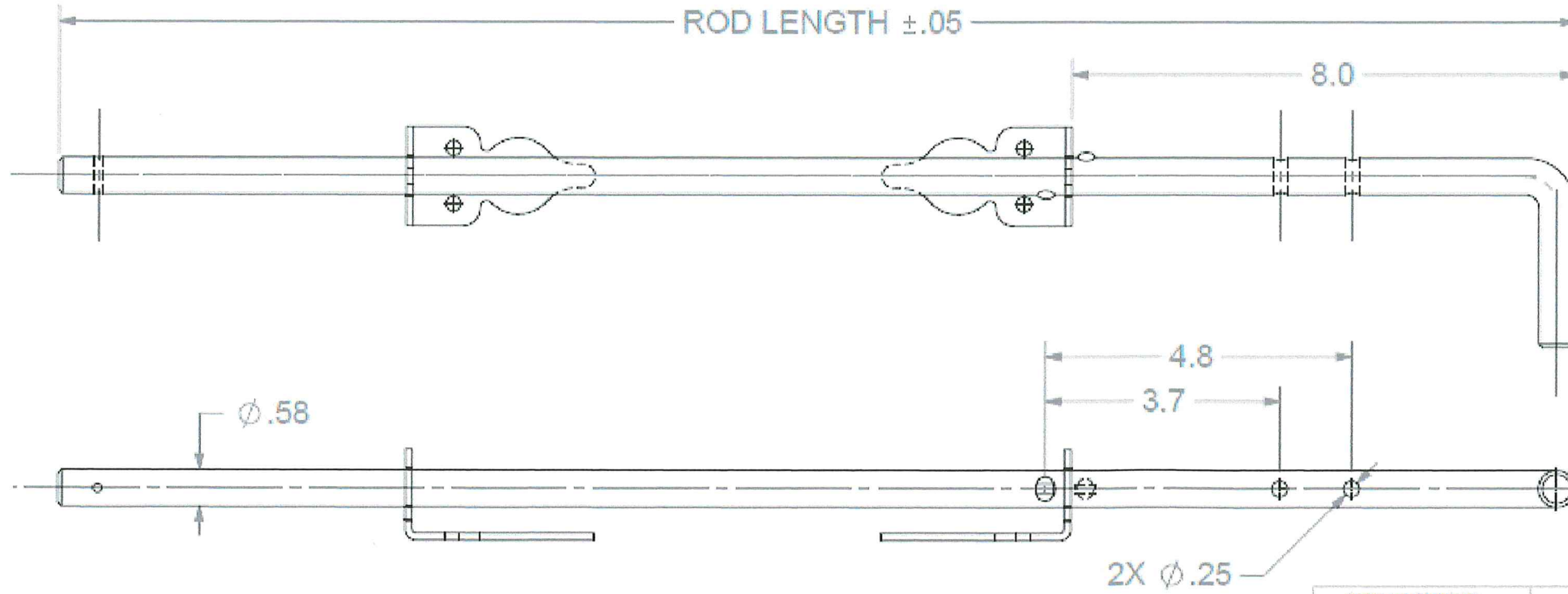
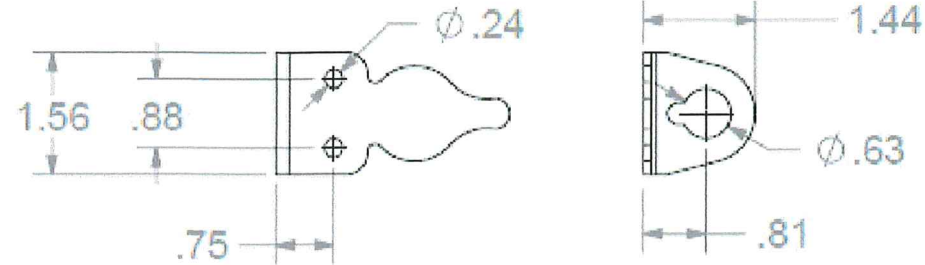
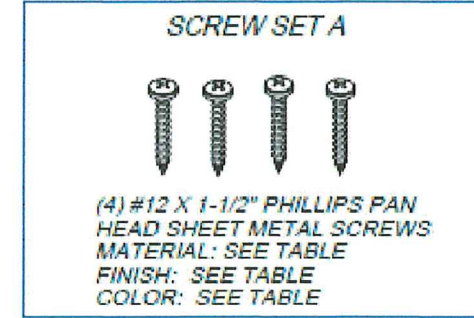
DRAWN BY: C.L. DATE: 03-21-24
CHK'D. BY: DATE:

DRAWING NO. W1-24
SHEET NO. 8 OF 10

SPECIFICATIONS FOR PVC FENCE AND GATE WITH HORIZONTAL PICKET

PART NUMBER	ROD LENGTH	MATERIAL	FINISH	COLOR	SCREW SET
NW38305-48SSW	48"	304 SS	POWDER COAT	WHITE	A
NW38305-48SSBZ	48"	304 SS	POWDER COAT	BRONZE	A
NW38305-48SSB	48"	304 SS	POWDER COAT	BLACK	A
NW38305-48SS	48"	304 SS	-	MILL	A
NW38305-48Q	48"	STEEL	POWDER COAT	BLACK	A
NW38305-36SSW	36"	304 SS	POWDER COAT	WHITE	A
NW38305-36SSBZ	36"	304 SS	POWDER COAT	BRONZE	A
NW38305-36SSB	36"	304 SS	POWDER COAT	BLACK	A
NW38305-36SS	36"	304 SS	-	MILL	A
NW38305-36Q	36"	STEEL	POWDER COAT	BLACK	A
NW38305-24SSW	24"	304 SS	POWDER COAT	WHITE	A
NW38305-24SSBZ	24"	304 SS	POWDER COAT	BRONZE	A
NW38305-24SSB	24"	304 SS	POWDER COAT	BLACK	A
NW38305-24SS	24"	304 SS	-	MILL	A
NW38305-24Q	24"	STEEL	POWDER COAT	BLACK	A
NW38305-24Q-HBZ	24"	STEEL	POWDER COAT	HBZ	A
NW38305/24-76Q	24"	STEEL	ZINC PLATE	-	A
NW38305-18SDBK	18"	STEEL	POWDER COAT	BLACK	B
NW38305-18Q	18"	STEEL	POWDER COAT	BLACK	A
NW38305-18/ZP	18"	STEEL	ZINC PLATE	-	A

REVISIONS				
ECR/DOR	REV.	DESCRIPTION	DATE	APPD
-	-	INITIAL RELEASE	2/17/16	-



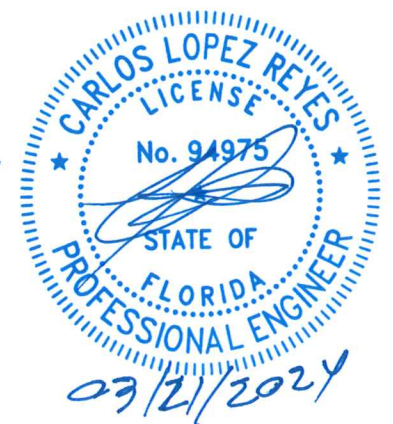
Approved as complying with the Florida Building Code
 Date 04/04/25
 NOA# 23-1215-01
 Miami Dade Product Control
 By *He J. H. [Signature]*

DIMENSIONS ARE IN INCHES
 TOLERANCES:
 FRACTIONAL: ±.015"
 ANGULAR: MACH ±.05°
 TWO PLACE DECIMAL: ±.01
 THREE PLACE DECIMAL: ±.005

PROPRIETARY AND CONFIDENTIAL
 THE INFORMATION CONTAINED IN THIS DRAWING IS THE SOLE PROPERTY OF NATIONWIDE INDUSTRIES. ANY REPRODUCTION IN PART OR AS A WHOLE WITHOUT THE WRITTEN PERMISSION OF NATIONWIDE INDUSTRIES IS PROHIBITED.

NATIONWIDE INDUSTRIES
 18", 24", 36" & 48"
 HEAVY DUTY DROP ROD ASSEMBLY

SIZE DWG. NO. CS--NW38305 REV. A
 SCALE: 1:1 MADE FROM REV. 4 SHEET 1 OF 1



PRODUCT: PVC FENCE AND GATE WITH HORIZONTAL & VERTICAL PICKET
 MANUFACTURE/DISTRIBUTOR: ALL SEASON FENCING LTD./ELITE PVC, LLC

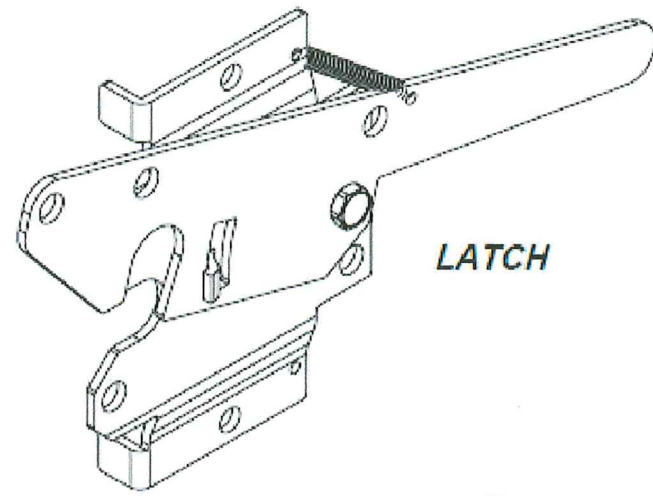
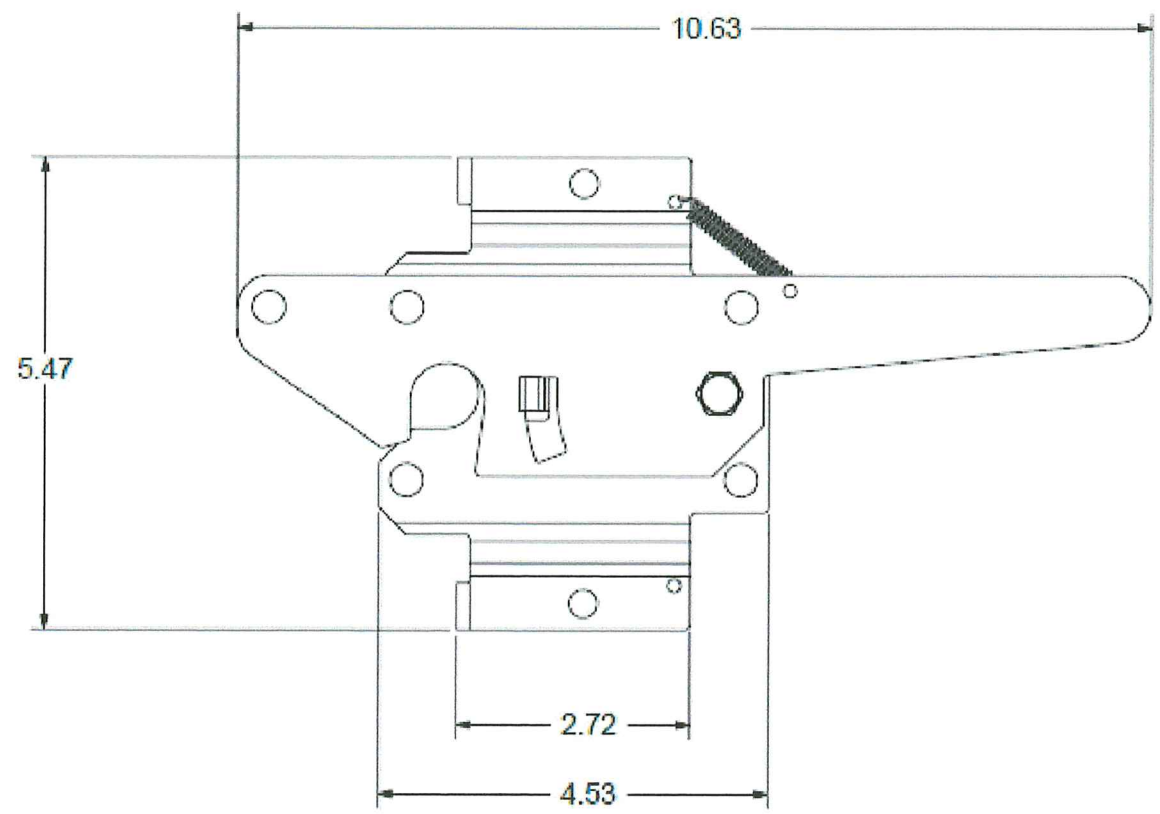
ALL AMERICAN ENGINEERING & CONSULTING, LLC.
 11248 SW 132 CT WEST
 MIAMI, FLORIDA 33186
 (786) 448-0384

NO.	BY	DATE	REVISIONS

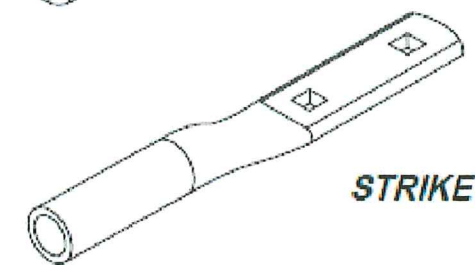
SHEET TITLE: DROP ROD
 SCALE: N.T.S.
 DRAWN BY: C.L. DATE: 03-21-24
 CHK'D. BY: DATE:
 DRAWING NO. W1-24
 SHEET NO. 9 OF 10

SPECIFICATIONS FOR PVC FENCE AND GATE WITH HORIZONTAL PICKET

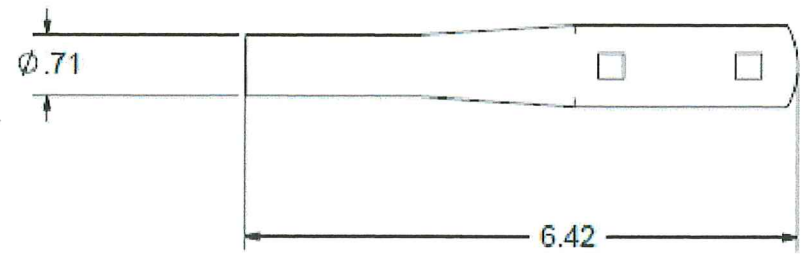
REV. NO.	DESCRIPTION	DATE	APPROVED
-	INITIAL RELEASE	4-27-07	BKF



LATCH



STRIKE



MOUNTING HARDWARE
"HOT DIPPED GALV"

Approved as complying with the Florida Building Code
 Date 04/04/25
 NOA# 23-1215.01
 Miami Dade Product Control
 By Heidi A. Miller



DRAFT COPY

PROPRIETARY AND CONFIDENTIAL
 THE INFORMATION CONTAINED IN THIS DRAWING IS THE SOLE PROPERTY OF NATIONWIDE INDUSTRIES. ANY REPRODUCTION IN PART OR AS A WHOLE WITHOUT THE WRITTEN PERMISSION OF NATIONWIDE INDUSTRIES IS PROHIBITED.
 DO NOT SCALE DRAWING



STANDARD POST LATCH

SIZE: B DWG. NO: **CS--NW38308Q** REV: -

PRODUCT: PVC FENCE AND GATE WITH HORIZONTAL & VERTICAL PICKET
 MANUFACTURE/DISTRIBUTOR: ALL SEASON FENCING LTD./ELITE PVC, LLC



ALL AMERICAN ENGINEERING & CONSULTING, LLC.
 11248 SW 132 CT WEST
 MIAMI, FLORIDA 33186
 (786) 448-0384

NO.	BY	DATE	REVISIONS

SHEET TITLE: POST LATCH	
SCALE: N.T.S.	
DRAWN BY: C.L.	DATE: 03-21-24
CHK'D. BY:	DATE:
DRAWING NO. W1-24	
SHEET NO. 10 OF 10	