



DEPARTMENT OF REGULATORY AND ECONOMIC RESOURCES (RER)
BOARD AND CODE ADMINISTRATION DIVISION

NOTICE OF ACCEPTANCE (NOA)

MIAMI-DADE COUNTY
PRODUCT CONTROL SECTION

11805 SW 26 Street, Room 208
Miami, Florida 33175-2474
T (786) 315-2590 F (786) 315-2599

www.miamidade.gov/economy

CaptiveAire Systems, Inc.
4641 Paragon Park Road
Raleigh, NC 27616

SCOPE: This NOA is being issued under the applicable rules and regulations governing the use of construction materials. The documentation submitted has been reviewed and accepted by Miami-Dade County RER-Product Control Section to be used in Miami-Dade County and other areas where allowed by the Authority Having Jurisdiction (AHJ).

This NOA shall not be valid after the expiration date stated below. The Miami-Dade County Product Control Section (In Miami-Dade County) and/ or the AHJ (in areas other than Miami-Dade County) reserve the right to have this product or material tested for quality assurance purposes. If this product or material fails to perform in the accepted manner, the manufacturer will incur the expense of such testing and the AHJ may immediately revoke, modify, or suspend the use of such product or material within their jurisdiction. RER reserves the right to revoke this acceptance, if it is determined by Miami-Dade County Product Control Section that this product or material fails to meet the requirements of the applicable building code.

This product is approved as described herein and has been designed to comply with the Florida Building Code, including the High Velocity Hurricane Zone.

DESCRIPTION: Series DU, NCA, DR, DD, DDAR and DMUA Aluminum Rooftop Fans

APPROVAL DOCUMENT: Drawing No. EXHAUST, titled "Upblast/ Downblast/ Curb", sheets 1 through 13 of 13, dated 08/25/2008, with revision 9 dated 07/14/2023, prepared by CaptiveAire Systems, Inc, signed and sealed by Wayne K. Helmila, P.E. on 03/07/2024, bearing the Miami-Dade County Product Control revision stamp with the Notice of Acceptance number and expiration date by the Miami-Dade County Product Control Section.

MISSILE IMPACT RATING: Large and Small Missile Impact Resistant

LABELING: Each unit shall bear a permanent label with the manufacturer's name or logo, one of the following manufacturing locations: Youngsville, NC; Muskogee, OK; Redding, CA; West Union, IA; Bedford, PA; Groveland, FL; Indianapolis, IN, model/ series, and following statement: "Miami-Dade County Product Control Approved", unless otherwise noted herein.

LIMITATION: 1) These fans cannot be installed within the ridge area FBC 1523.6.5.2.13.

RENEWAL of this NOA shall be considered after a renewal application has been filed and there has been no change in the applicable building code negatively affecting the performance of this product.

TERMINATION of this NOA will occur after the expiration date or if there has been a revision or change in the materials, use, and/ or manufacture of the product or process. Misuse of this NOA as an endorsement of any product, for sales, advertising or any other purposes shall automatically terminate this NOA. Failure to comply with any section of this NOA shall be cause for termination and removal of NOA.

ADVERTISEMENT: The NOA number preceded by the words Miami-Dade County, Florida, and followed by the expiration date may be displayed in advertising literature. If any portion of the NOA is displayed, then it shall be done in its entirety.

INSPECTION: A copy of this entire NOA shall be provided to the user by the manufacturer or its distributors and shall be available for inspection at the job site at the request of the Building Official.

This NOA **renews and revises** NOA # 21-0318.09 and consists of this page 1 and evidence pages E-1, E-2, E-3, E-4 and E-5, as well as approval document mentioned above.

The submitted documentation was reviewed by **Carlos M. Utrera, P.E.**



03/27/24

NOA No. 24-0104.05
Expiration Date: March 4, 2029
Approval Date: April 4, 2024

NOTICE OF ACCEPTANCE: EVIDENCE SUBMITTED

1. Evidence submitted under previous NOA's

A. DRAWINGS “Submitted under NOA # 14-0722.16”

1. Drawing No. EXHAUST, titled “Upblast/ Downblast/ Curb”, sheets 1 through 12 of 12, dated 08/25/2008, with revision 5 dated 05/06/2015, prepared by CaptiveAire Systems, Inc, signed and sealed by L. David Rice, P.E.

B. TESTS “Submitted under NOA # 14-0722.16”

1. Test reports on Uniform Static Air Pressure Test, loading per FBC TAS 202-94 along with marked-up drawings and installation diagram of Centrifugal Upblast Roof Mounted Exhaust Fans (Model NCA36FA), prepared by Intertek/Architectural Testing, Inc., Test Report No. E6374.01-109-18, dated 04/16/2015, signed and sealed by Michael D. Stremmel, P.E.
2. Test reports on Uniform Static Air Pressure Test, Loading per FBC TAS 202-94 along with marked-up drawings and installation diagram of Centrifugal Downblast Roof Mounted Exhaust Fans (Model DD36FA), prepared by Intertek/Architectural Testing, Inc., Test Report No. E6373.01-109-18, dated 04/16/2015, signed and sealed by Michael D. Stremmel, P.E.
3. Test reports on 1) Uniform Static Air Pressure Test, Loading per FBC TAS 202-94
2) Large Missile Impact Test per FBC, TAS 201-94
3) Cyclic Wind Pressure Loading per FBC, TAS 203-94
along with marked-up drawings and installation diagram of Motorized Exhaust Vent (Model DU10), prepared by Architectural Testing, Inc., Test Report No. E1562.01-109-18, dated 11/13/2014, signed and sealed by Michael D. Stremmel, P.E.

“Submitted under NOA # 08-1124.09”

4. Test reports on 1) Uniform Static Air Pressure Test, Loading per FBC TAS 202-94
2) Large Missile Impact Test per FBC, TAS 201-94
3) Cyclic Wind Pressure Loading per FBC, TAS 203-94
along with marked-up drawings and installation diagram of Series/Model HRE-24, high velocity roof fan, BI-36CARM, roof mounted exhaust fan and A5-925, modular down discharge blower, prepared by Architectural Testing, Inc., Test Report No. 83747.01-109-18, dated 10/15/2008, with Revision 1 dated 01/06/2009, signed and sealed by Michael D. Stremmel, P.E.



Carlos M. Utrera, P.E.
Product Control Examiner
NOA No. 24-0104.05
Expiration Date: March 4, 2029
Approval Date: April 4, 2024

NOTICE OF ACCEPTANCE: EVIDENCE SUBMITTED

C. CALCULATIONS “Submitted under NOA # 14-0722.16”

1. Anchor verification calculations prepared by Rice Engineering, dated 08/07/2015, signed and sealed by L. David Rice, P.E.

“Submitted under NOA # 14-0110.04”

2. Anchor verification calculations, prepared by Rice Engineering, dated 07/04/2012, signed and sealed by L. David Rice, P.E.

“Submitted under NOA # 08-1124.09”

3. Anchor verification calculations, prepared by Rice Engineering, dated 11/12/2008, with revision dated 01/20/2008, signed and sealed by L. David Rice, P.E.

D. QUALITY ASSURANCE

1. Miami-Dade Department of Regulatory and Economic Resources (RER)

E. MATERIAL CERTIFICATIONS

1. None.

F. STATEMENTS “Submitted under NOA # 14-0722.16”

1. Statement letter of code conformance to the 5th edition (2014) FBC issued by Rice Engineering, dated 08/07/2015, signed and sealed by L. David Rice, P.E.

“Submitted under NOA # 13-0219.01”

2. Statement letter of code conformance to 2010 FBC issued by Rice Engineering, dated 07/04/2012, signed and sealed by L. David Rice, P.E.
3. Statement letter of no financial interest issued by Rice Engineering, dated 07/04/2012, signed and sealed by L. David Rice, P.E.

2. Evidence submitted under NOA # 18-0118.09

A. DRAWINGS

1. Drawing No. EXHAUST, titled “Upblast/ Downblast/ Curb”, sheets 1 through 12 of 12, dated 08/25/2008, with revision 7 dated 11/27/2017, prepared by CaptiveAire Systems, Inc., signed and sealed by Wayne K. Helmila, P.E.

B. TESTS

1. None.



Carlos M. Utrera, P.E.
Product Control Examiner
NOA No. 24-0104.05
Expiration Date: March 4, 2029
Approval Date: April 4, 2024

NOTICE OF ACCEPTANCE: EVIDENCE SUBMITTED

2. Evidence submitted under NOA # 18-0118.09 (Continued)

C. CALCULATIONS

1. Anchor verification calculations prepared by Rice Engineering, dated 12/15/2017, signed and sealed by Wayne K. Helmila, P.E.

D. QUALITY ASSURANCE

1. Miami-Dade Department of Regulatory and Economic Resources (RER)

E. MATERIAL CERTIFICATIONS

1. None.

F. STATEMENTS

1. Statement letter of code conformance to the 6th edition (2017) FBC, dated December 12, 2017, issued by Rice Engineering, signed and sealed by Wayne K. Helmila, P.E.

3. Evidence submitted under NOA # 19-0130.11

A. DRAWINGS

1. Drawing No. **EXHAUST**, titled “Upblast/ Downblast/ Curb”, sheets 1 through 12 of 12, dated 08/25/2008, with revision 7 dated 11/27/2017, prepared by CaptiveAire Systems, Inc., signed and sealed by Wayne K. Helmila, P.E. on 01/11/2019.

B. TESTS

1. None.

C. CALCULATIONS

1. None.

D. QUALITY ASSURANCE

1. Miami-Dade Department of Regulatory and Economic Resources (RER)



Carlos M. Utrera, P.E.
Product Control Examiner
NOA No. 24-0104.05
Expiration Date: March 4, 2029
Approval Date: April 4, 2024

NOTICE OF ACCEPTANCE: EVIDENCE SUBMITTED

3. Evidence submitted under NOA # 19-0130.11 (Continued)

E. MATERIAL CERTIFICATIONS

1. None.

F. STATEMENTS

1. Statement letter of code conformance to the 6th edition (2017) FBC, dated 01/11/2019, issued by Rice Engineering, signed and sealed by Wayne K. Helmila, P.E.

4. Evidence submitted under previous approval

A. DRAWINGS

1. Drawing No. EXHAUST, titled “Upblast/ Downblast/ Curb”, sheets 1 through 13 of 13, dated 08/25/2008, with revision 8 dated 03/26/2019, prepared by CaptiveAire Systems, Inc, signed and sealed by Wayne K. Helmila, P.E. on 06/06/2019.

B. TESTS

1. None.

C. CALCULATIONS

1. None.

D. QUALITY ASSURANCE

1. Miami-Dade Department of Regulatory and Economic Resources (RER)

E. MATERIAL CERTIFICATIONS

1. None.

F. STATEMENTS

1. None.



Carlos M. Utrera, P.E.
Product Control Examiner
NOA No. 24-0104.05
Expiration Date: March 4, 2029
Approval Date: April 4, 2024

NOTICE OF ACCEPTANCE: EVIDENCE SUBMITTED

5. Evidence submitted under NOA # 21-0318.09 and new

A. DRAWINGS

1. Drawing No. EXHAUST, titled “Upblast/ Downblast/ Curb”, sheets 1 through 13 of 13, dated 08/25/2008, with revision 9 dated 07/14/2023, prepared by CaptiveAire Systems, Inc, signed and sealed by Wayne K. Helmila, P.E. on 03/07/2024.

B. TESTS

1. None.

C. CALCULATIONS “Submitted under NOA # 21-0318.09”

1. Anchor verification calculations prepared by Rice Engineering, dated 03/10/2021, signed and sealed by Wayne K. Helmila, P.E.

D. QUALITY ASSURANCE

1. Miami-Dade Department of Regulatory and Economic Resources (RER).

E. MATERIAL CERTIFICATIONS

1. None.

F. STATEMENTS

1. Statement letter of code conformance to the 8th Edition (2023) of the FBC, issued by Rice Engineering, dated 11/14/2023, signed and sealed by Wayne K. Helmila, P.E.

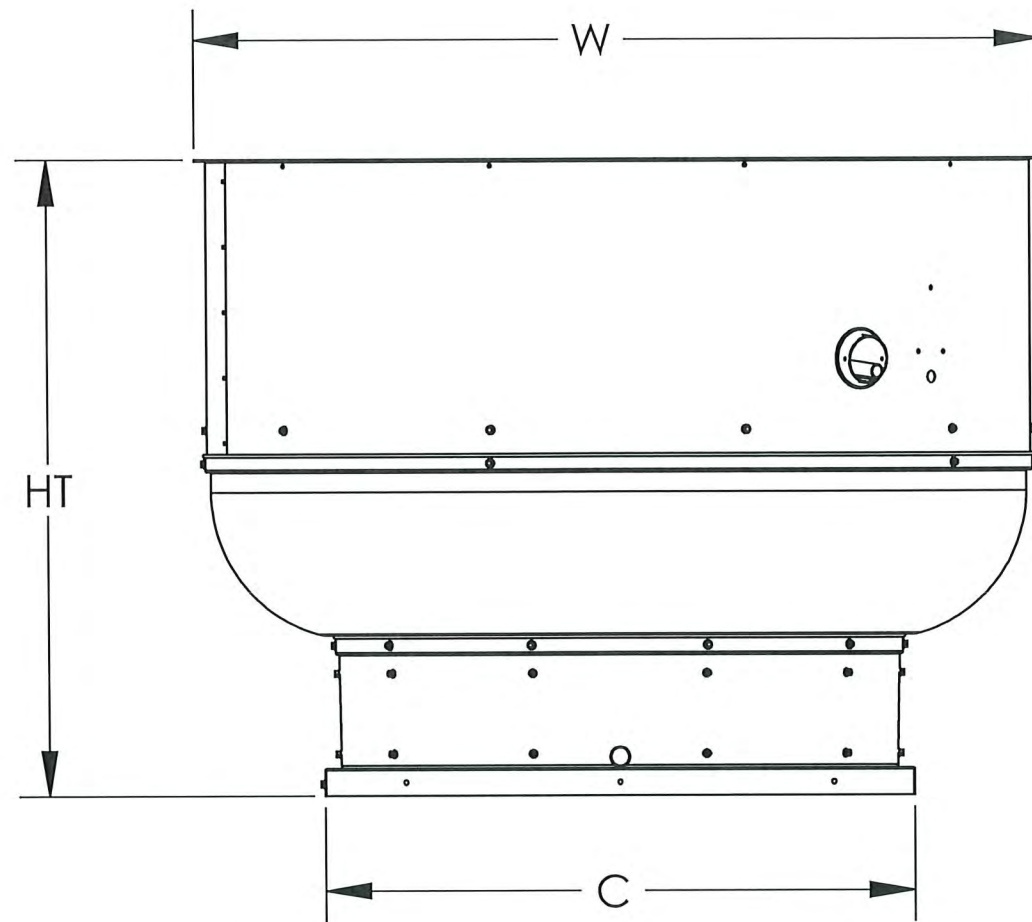
“Submitted under NOA # 21-0318.09”

2. Statement letter of code conformance to the 7th Edition (2020) of the FBC, dated March 10, 2021, issued by Rice Engineering, signed and sealed by Wayne K. Helmila, P.E.



Carlos M. Utrera, P.E.
Product Control Examiner
NOA No. 24-0104.05
Expiration Date: March 4, 2029
Approval Date: April 4, 2024

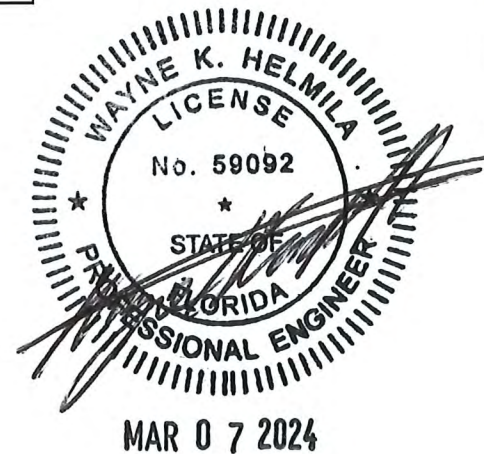
Dimensional Data - Upblast Aluminum Fans



DESIGN PRESSURE: +150.0 / -150.0 PSF
LARGE MISSILE IMPACT RESISTANT

PRODUCT REVISED
 as complying with the Florida
 Building Code
 NOA-No. 24-0104.05
 Expiration Date 03/04/2029
 By [Signature]
 Miami-Dade Product Control

RICE
 ENGINEERING
 105 School Creek Trail
 Luxemburg, WI 54217
 Phone: (920) 617-1042
 Fax: (920) 617-1100
 www.rice-inc.com
 Florida Firm No: F-01000005061
 Certificate of Authorization: #9090
 Wayne K. Helmila
 Registration No: 59092



#	Description	Revised by	ECN#	Date
3	Added DU/DR Models	J Hess	2661	6/24/14
4	Increased Design Pressure +/- 150 PSF	WBG	2753	9/9/14
5	Added Curb Heights	JJH	2740	5/6/15
6	Changed Notes On Curb Installation	N Perry	2846	10/22/15
7	FBC 2017 / Cracked Concrete Calcs	J Hess	2997	11/27/17
8	Added Alternate Brand to Drawings	JJH	3061	3/26/19
9	Added Multiple Brands	CAG	3189	7/14/23

General Notes:

1. This approval is for the structural capacity and impact rating of the exterior housing only; it does not include any interior mechanism or electrical part.
2. These fans have not been wind tested for Wind Driven Rain Test per Florida Building code, TAS100 (A)-95.

FAN MODEL	HT (in)	W (in)	C (in)	WEIGHT (lbs)
DU10	14-1/2	17-3/4	19	30
DU12	18	22	19	40
DU25	25-1/4	25-1/2	21	50
DU30	25-1/4	25-1/2	21	50
DU33	25-1/4	25-1/2	21	50
DU50	27-1/4	28-7/8	21	55
DU75	30-1/2	31-7/8	24-3/4	60
DU85	30-1/2	31-7/8	24-3/4	60
DU180	33-3/4	39-3/8	28	190
DU200	33-3/4	38-7/8	28	195
DU240	37-1/2	43 3/8	33	270
DU300	40	52-3/4	40	410
DU360	45-9/16	63-7/16	44	470
NCA08	25-1/4	27-1/4	21	105
NCA10	27-1/4	30-1/4	21	120
NCA14	30-1/2	33-3/4	24-3/4	140
NCA16	33-3/4	39-3/8	28	190
NCA18	33-3/4	38-7/8	28	195
NCA24	37-1/2	43 3/8	33	270
NCA30	40	52-3/4	40	410
NCA36	45-9/16	63-7/16	44	470

SEE PAGE 13 FOR ALTERNATE BRANDS

Notes:

1. Tested in accordance to Florida Building Code test protocol TAS-201, TAS-202, TAS203.
2. Tested for areas including high velocity hurricane zones.
3. Tested under Miami-Dade County Notification number ATI 08033.

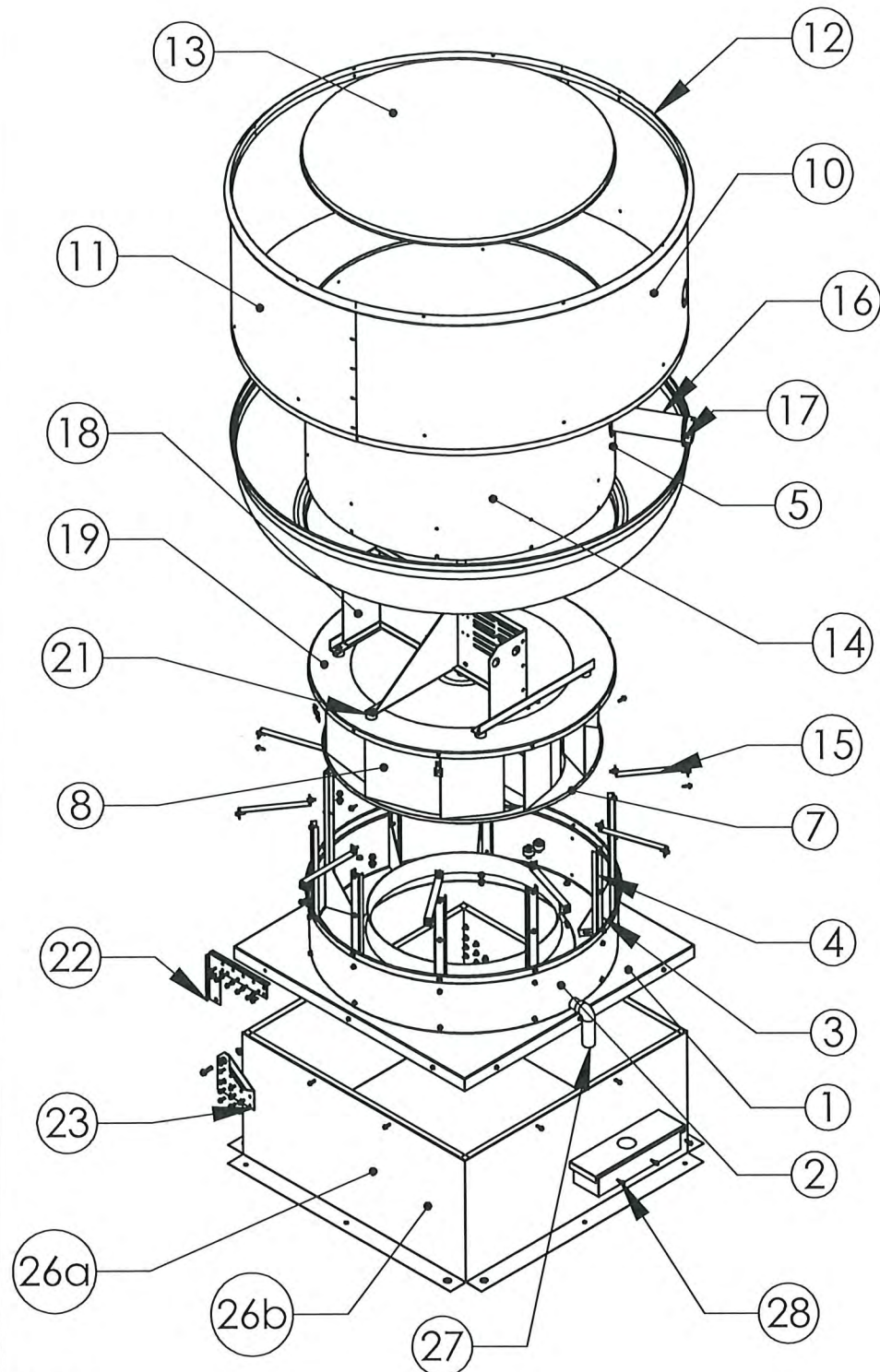
CaptiveAire, Inc. commercial kitchen ventilation
 4641 Paragon Park Road, Raleigh, NC 27616
 P 800.334.925 | F 919.227.5994

Material: N/A	Part Number: N/A	Unless Otherwise Specified Dimensions are in Inches. Standard Tolerances are: Fractions: ±1/16 Decimal: .XX±.05 .XXX±.015 Angles: ±1°
Blank Size: N/A x N/A	MACOLA Number: N/A	
Weight: N/A lbs	Drawing Name: UPBLAST	
	Drawn By: N Perry	
	Drawing Number: EXHAUST01	
	Sheet: 1 of 13	



Exploded Material View - Upblast Aluminum Fans

Revision History				
#	Description	Revised by	ECN#	Date
4	Increased Design Pressure +/- 150 PSF	WBG	2753	9/9/14
5	Added Curb Heights	JJH	2740	5/6/15
6	Changed Notes On Curb Installation	N Perry	2846	10/22/15
7	FBC 2017 /Cracked Concrete Calcs	J Hess	2997	11/27/17
8	Added Alternate Brand to Drawings	JJH	3061	3/26/19
9	Changed 16GA Curb to 18GA	JJH	--	3/8/21
10	Added Multiple Brands	CAG	3189	7/14/23



Item Number	Description	Material
1	Base	16 Ga Galvanized G90
2	Baffle	.080 Aluminum 1100-0
3	Gusset	12 Ga Galvanized G90
4	Vertical Support	12 Ga Galvanized G90
5	Bottom Skirt	.090 Aluminum 1100-0
6	Wheel Blade Top (Not Shown)	14 Ga Galvanized G90
7	Wheel Blade Bottom	.100 Aluminum 3003-0
8	Wheel Primary Blade	.125 Aluminum 5052-H32
9	Wheel Secondary Blade (Not Shown)	.064 Aluminum 5052-H32
10	Top Skirt A	.080 Aluminum 1100-H14
11	Top Skirt B	.080 Aluminum 1100-H14
12	Angle Ring	1/8 X 1 X 1 Aluminum Angle Ring
13	Hood	.064 Aluminum 1100-H14
14	Shaft Wrapper	.080 Aluminum 1100-H14
15	Horizontal Braces	.125 Aluminum 5052-H32
16	Cooling Tube	.080 Aluminum Extrusion
17	Cooling Tube Grommet	Black Rubber
18	Motor Plate Assembly	10 Ga Galvanized G90
19	Top Plate	14 Ga Galvanized G90
20	Shaft (Not Shown)	1018 Steel
21	Vibration Isolators	Black Rubber
22	Fan Plate Left (Hinge Kit)	10 Ga Galvanized G90
23	Curb Plate Left (Hinge Kit)	10 Ga Galvanized G90
24	Fan Plate Right (Hinge Kit Not Shown)	10 Ga Galvanized G90
25	Curb Plate Right (Hinge Kit Not Shown)	10 Ga Galvanized G90
26a	Curb (Up to 20" Height)	20 Ga. Steel
26b	Curb (Above 20", Max of 42" Height)	18 Ga. Steel
27	Grease Down Spout	Aluminum Colored Vinyl
28	Grease Box	18 Ga Galvanized G90

RICE ENGINEERING

105 School Creek Trail
Luxemburg, WI 54217
Phone: (920) 617-1042
Fax: (920) 617-1100
www.rice-inc.com

Florida Firm No: F-01000005061
Certificate of Authorization: #9090
Wayne K. Helmila
Registration No: 59092



PRODUCT REVISED
as complying with the Florida
Building Code
NOA-No. 24-0104.05
Expiration Date 03/04/2029
By *[Signature]*
Miami-Dade Product Control

Notes:

1. Tested in accordance to Florida Building Code test protocol TAS-201, TAS-202, TAS203.
2. Tested for areas including high velocity hurricane zones.
3. Tested under Miami-Dade County Notification number ATI 08033.

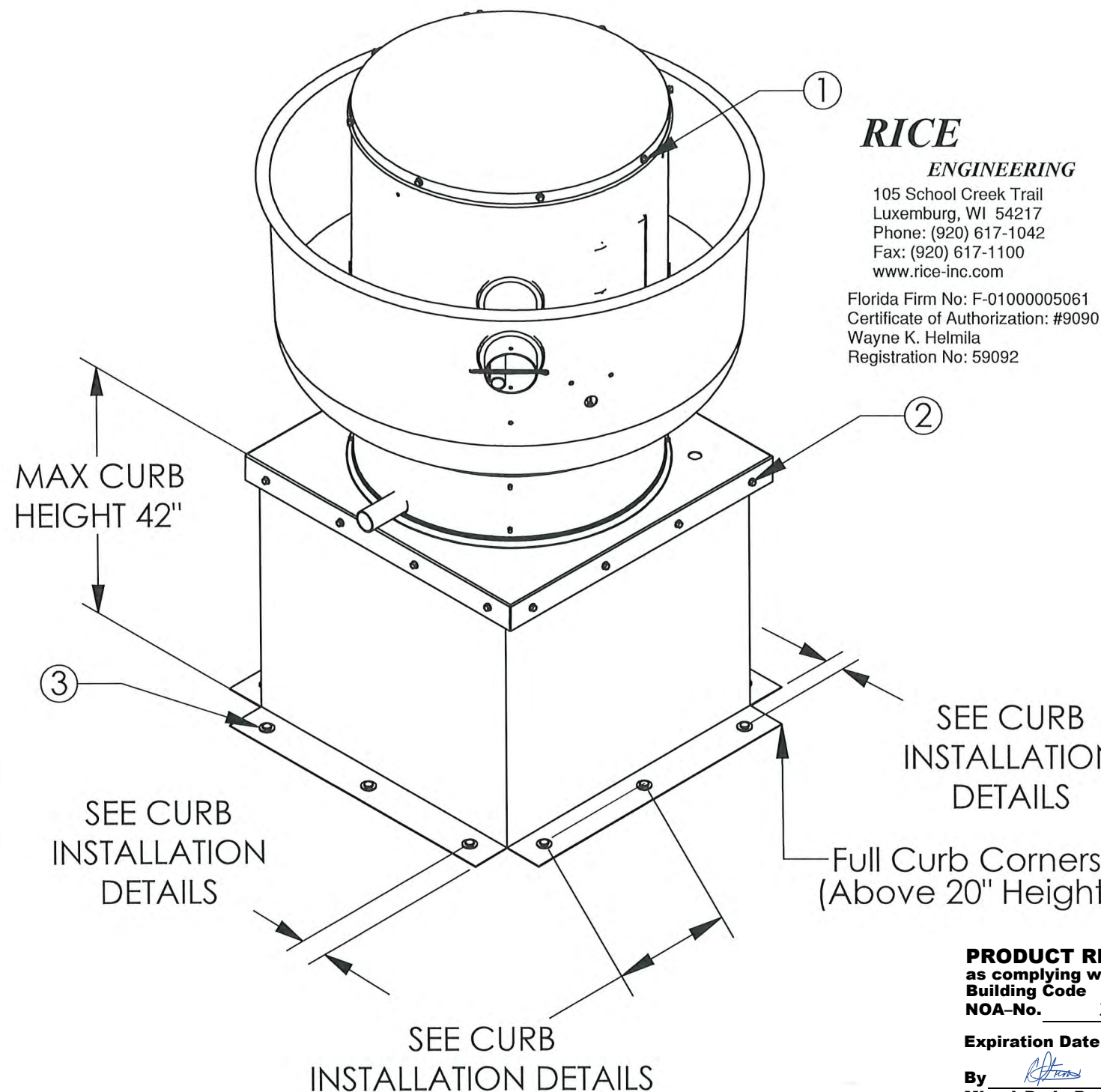
Material: N/A	Part Number: N/A	Unless Otherwise Specified Dimensions are in Inches. Standard Tolerances are: Fractions: ±1/16 Decimal: .XX±.05 .XXX±.015 Angles: ±1°
Blank Size: N/A x N/A	MACOLA Number: N/A	
Weight: N/A lbs	Drawing Name: UPBLAST	
	Drawn By: N Perry	
	Drawing Number: EXHAUST02	
	Sheet: 2 of 13	

CaptiveAire, Inc. commercial kitchen ventilation
4641 Paragon Park Road, Raleigh, NC 27616
P 800.334.925 | F 919.227.5994



Installation - Upblast Aluminum Fans

Revision History				
#	Description	Revised by	ECN#	Date
4	Increased Design Pressure +/- 150 PSF	WBG	2753	9/9/14
5	Added Curb Heights	JJH	2740	5/6/15
6	Changed Notes On Curb Installation	N Perry	2846	10/22/15
7	FBC 2017 /Cracked Concrete Calcs	J Hess	2997	11/27/17
8	Added Alternate Brand to Drawings	JJH	3061	3/26/19
9	Changed to Full Curb Corners	JJH	--	3/8/21
10	Added Multiple Brands	CAG	3189	7/14/23



RICE
ENGINEERING
105 School Creek Trail
Luxemburg, WI 54217
Phone: (920) 617-1042
Fax: (920) 617-1100
www.rice-inc.com
Florida Firm No: F-01000005061
Certificate of Authorization: #9090
Wayne K. Helmila
Registration No: 59092

1. SECURE LID TO FAN USING (8) 1/4"-14 X 1" ZINC PLATED STEEL SELF DRILLING SHEET METAL SCREWS WITH RUBBER WASHER SPACED EVENLY AROUND LID.
2. SECURE FAN BASE TO CURB USING 1/4"-14 X 2" GALVANIZED SELF DRILLING SCREWS (A307 OR BETTER) THROUGH PRE-PUNCHED HOLES IN THE FAN BASE. (SEE TABLE A ON PAGE 7 THRU 12 FOR QTY).
3. SECURE CURB TO ROOF OR WALL BY DRILLING 1/4" DIA PILOT HOLES IN THE CURB FLANGE AT LOCATIONS SHOWN IN THE DIAGRAM. SEE PAGES 7 THRU 12 FOR FASTENER TYPE. USE TABLE B FOR FASTENER QTY.



PRODUCT REVISED
as complying with the Florida
Building Code
NOA-No. 24-0104.05
Expiration Date 03/04/2029
By *[Signature]*
Miami-Dade Product Control

- Notes:
1. Tested in accordance to Florida Building Code test protocol TAS-201, TAS-202, TAS203.
 2. Tested for areas including high velocity hurricane zones.
 3. Tested under Miami-Dade County Notification number ATI 08033.

CaptiveAire, Inc. commercial kitchen ventilation
4641 Paragon Park Road, Raleigh, NC 27616
P 800.334.925 | F 919.227.5994

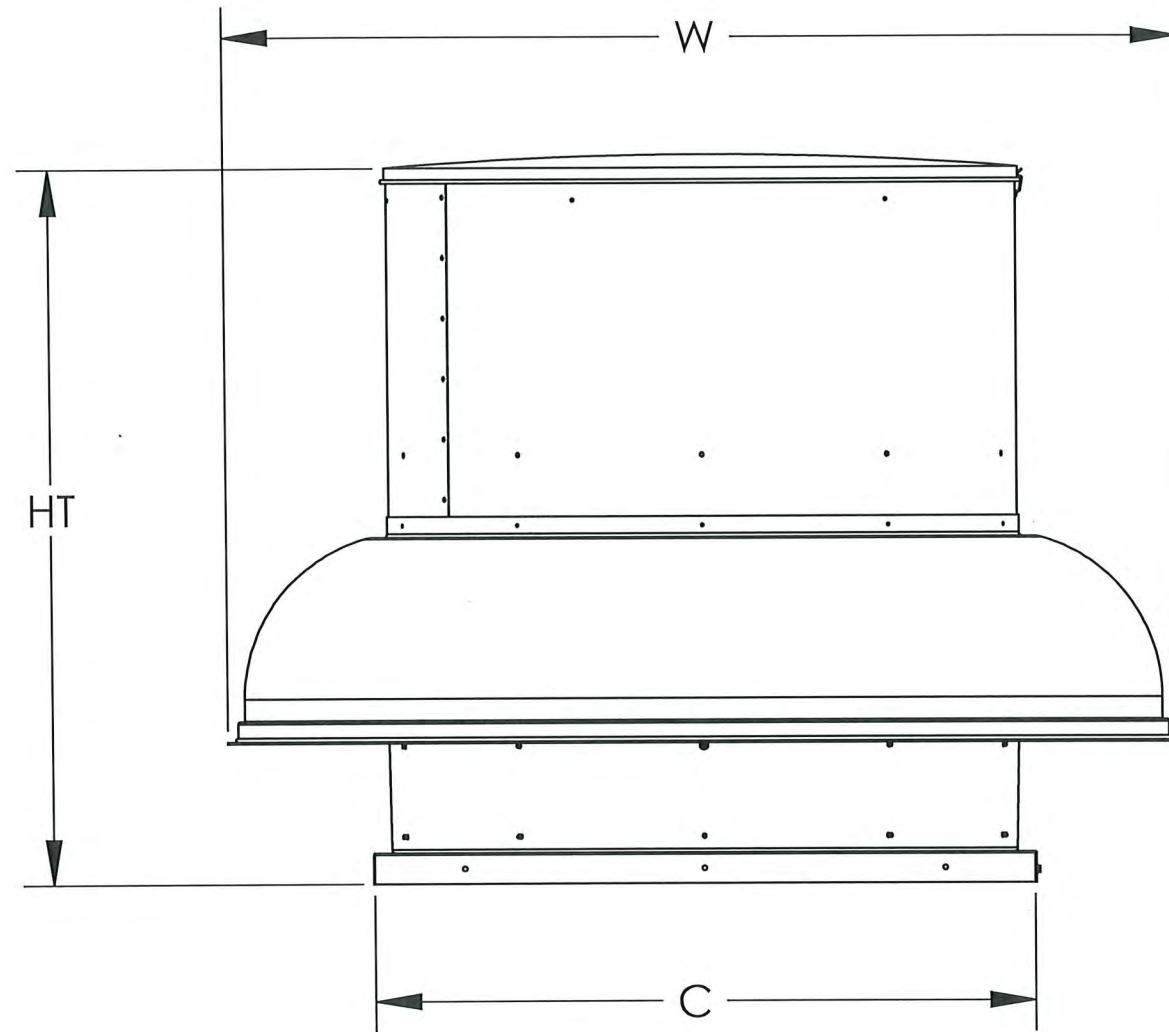
Material: N/A	Part Number: N/A	Unless Otherwise Specified Dimensions are in Inches. Standard Tolerances are: Fractions: ±1/16 Decimal: .XX±.05 .XXX±.015 Angles: ±1°
Blank Size: N/A x N/A	MACOLA Number: N/A	
Weight: N/A lbs	Drawing Name: UPBLAST	
	Drawn By: N Perry	
	Drawing Number: EXHAUST03	
	Sheet: 3 of 13	



Dimensional Data - Downblast Aluminum Fans

General Notes:

1. This approval is for the structural capacity and impact rating of the exterior housing only; it does not include any interior mechanism or electrical part.
2. These fans have not been wind tested for Wind Driven Rain Test per Florida Building code, TAS100 (A)-95.



**DESIGN PRESSURE: +150.0 / -150.0 PSF
LARGE MISSILE IMPACT RESISTANT**

Notes:

1. Tested in accordance to Florida Building Code test protocol TAS-201, TAS-202, TAS203.
2. Tested for areas including high velocity hurricane zones.
3. Tested under Miami-Dade County Notification number ATI 08033.

Revision History				
#	Description	Revised by	ECN#	Date
4	Increased Design Pressure +/- 150 PSF	WBG	2753	9/9/14
5	Added Curb Heights	JJH	2740	5/6/15
6	Changed Notes On Curb Installation	N Perry	2846	10/22/15
7	FBC 2017 /Cracked Concrete Calcs	J Hess	2997	11/27/17
8	Added Alternate Brand to Drawings	JJH	3061	3/26/19
9	Added Multiple Brands	CAG	3189	7/14/23

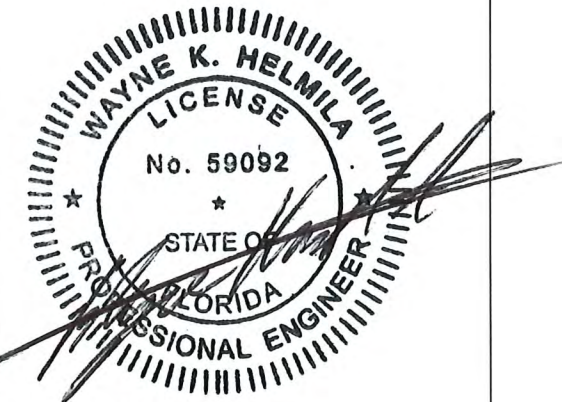
FAN MODEL	HT (in)	W (in)	C (in)	WEIGHT (lbs)
DR10	14 1/2	20 3/4	19	30
DR12	16 1/4	23 3/4	19	35
DR25	19 1/8	26 1/4	21	45
DR30	19 1/8	26 1/4	21	45
DR33	19 1/8	26 1/4	21	45
DR50	21 3/4	29 3/4	21	50
DR75	23 3/8	33 1/4	24 3/4	60
DR85	23 3/8	33 1/4	24 3/4	60
DR180	32 3/4	38 1/4	28	190
DR200	32 3/4	38 1/4	28	195
DR240	37 3/4	42 1/2	33	215
DR300	40	52	40	380
DR360	45 9/16	63 7/16	44	470
DD7	25 1/2	26 1/4	21	90
DD8	25 1/2	26 1/4	21	90
DD9	25 1/2	26 1/4	21	90
DD11	25 1/2	26 1/4	21	105
DD13	27 1/4	29 5/8	21	105
DD15	30 5/8	33 1/4	24 3/4	130
DD18	32 3/4	38 1/4	28	190
DD20	32 3/4	38 1/4	28	195
DD24	37 3/4	42 1/2	33	215
DD30	40	52	40	380
DD36	45 9/16	63 7/16	44	470
DDAR10	9 3/4	18 5/16	19	24
DDAR12	10 1/4	20 5/16	19	32
DDAR14	12 5/8	27 5/16	21	45
DDAR18	14 3/8	33 9/16	26	67
DMUA14	12 5/8	27 5/16	21	45
DMUA18	14 3/8	33 9/16	26	67

SEE PAGE 13 FOR ALTERNATE BRANDS

RICE
ENGINEERING

105 School Creek Trail
Luxemburg, WI 54217
Phone: (920) 617-1042
Fax: (920) 617-1100
www.rice-inc.com

Florida Firm No: F-01000005061
Certificate of Authorization: #9090
Wayne K. Helmila
Registration No: 59092



MAR 07 2024

PRODUCT REVISED
as complying with the Florida
Building Code
NOA-No. 24-0104.05

Expiration Date 03/04/2029

By *[Signature]*
Miami-Dade Product Control


CaptiveAire, Inc. commercial kitchen ventilation
4641 Paragon Park Road, Raleigh, NC 27616
P 800.334.925 | F 919.227.5994

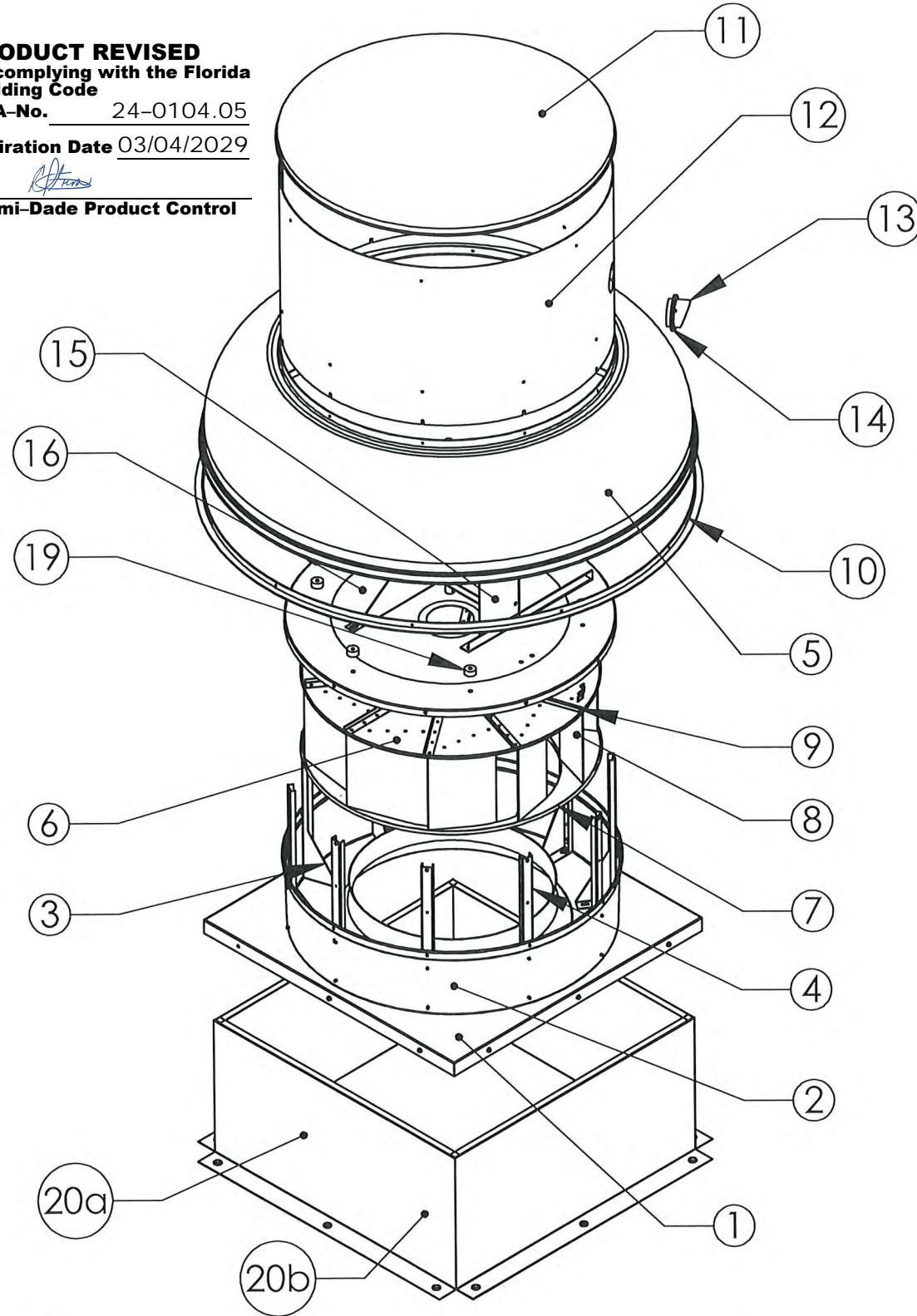


Material: N/A	Part Number: N/A	Unless Otherwise Specified Dimensions are in Inches. Standard Tolerances are: Fractions: ±1/16 Decimal: .XX±.05 .XXX±.015 Angles: ±1°
Blank Size: N/A x N/A	MACOLA Number: N/A	
Weight: N/A lbs	Drawing Name: DOWNBLAST	
	Drawn By: N Perry	
	Drawing Number: EXHAUST04	
	Sheet: 4 of 13	

Exploded Material View - Downblast Aluminum Fans

Revision History				
#	Description	Revised by	ECN#	Date
4	Increased Design Pressure +/- 150 PSF	WBG	2753	9/9/14
5	Added Curb Heights	JJH	2740	5/6/15
6	Changed Notes On Curb Installation	N Perry	2846	10/22/15
7	FBC 2017 /Cracked Concrete Calcs	J Hess	2997	11/27/17
8	Added Alternate Brand to Drawings	JJH	3061	3/26/19
9	Changed 16GA Curb to 18GA	JJH	--	3/8/21
10	Added Multiple Brands	CAG	3189	7/14/23

PRODUCT REVISED
 as complying with the Florida
 Building Code
 NOA-No. 24-0104.05
 Expiration Date 03/04/2029
 By 
 Miami-Dade Product Control



Item Number	Description Of Part	Material
1	Base	16 Ga Galvanized G90
2	Baffle	.080 Aluminum 1100-0
3	Gusset	12 Ga Galvanized G90
4	Vertical Support	12 Ga Galvanized G90
5	Bottom Skirt	.090 Aluminum 1100-0
6	Wheel Blade Top	14 Ga Galvanized G90
7	Wheel Blade Bottom	.100 aluminum 3003-0
8	Wheel Primary Blade	.125 Aluminum 5052-H32
9	Wheel Secondary Blade	.064 Aluminum 5052-H32
10	Ring	1/8 X 1 X 1 Aluminum Angle Ring
11	Hood	.064 Aluminum 1100-H14
12	Shaft Wrapper	.080 Aluminum 1100-H14
13	Cooling Tube	.080 Aluminum Extrusion
14	Cooling Tube Grommet	Black Rubber
15	Motor Plate Assembly	10 Ga Galvanized G90
16	Top Plate	14 Ga Galvanized G90
17	Shaft (Not Shown)	1018 Steel
18	Bearings (Not Sown)	Case Steel/ Steel Ball
19	Vibration Isolators	Black Rubber
20a	Curb (Up to 20" Height)	20 Ga. Steel
20b	Curb (Above 20", Max of 42" Height)	18 Ga. Steel

- Notes:
1. Tested in accordance to Florida Building Code test protocol TAS-201, TAS-202, TAS203.
 2. Tested for areas including high velocity hurricane zones.
 3. Tested under Miami-Dade County Notification number ATI 08033.



MAR 07 2024

RICE
 ENGINEERING

105 School Creek Trail
 Luxemburg, WI 54217
 Phone: (920) 617-1042
 Fax: (920) 617-1100
 www.rice-inc.com

Florida Firm No: F-01000005061
 Certificate of Authorization: #9090
 Wayne K. Helmila
 Registration No: 59092

CaptiveAire, Inc. commercial kitchen ventilation
 4641 Paragon Park Road, Raleigh, NC 27616
 P 800.334.925 | F 919.227.5994

Material: N/A
 Blank Size: N/A x N/A
 Weight: N/A lbs

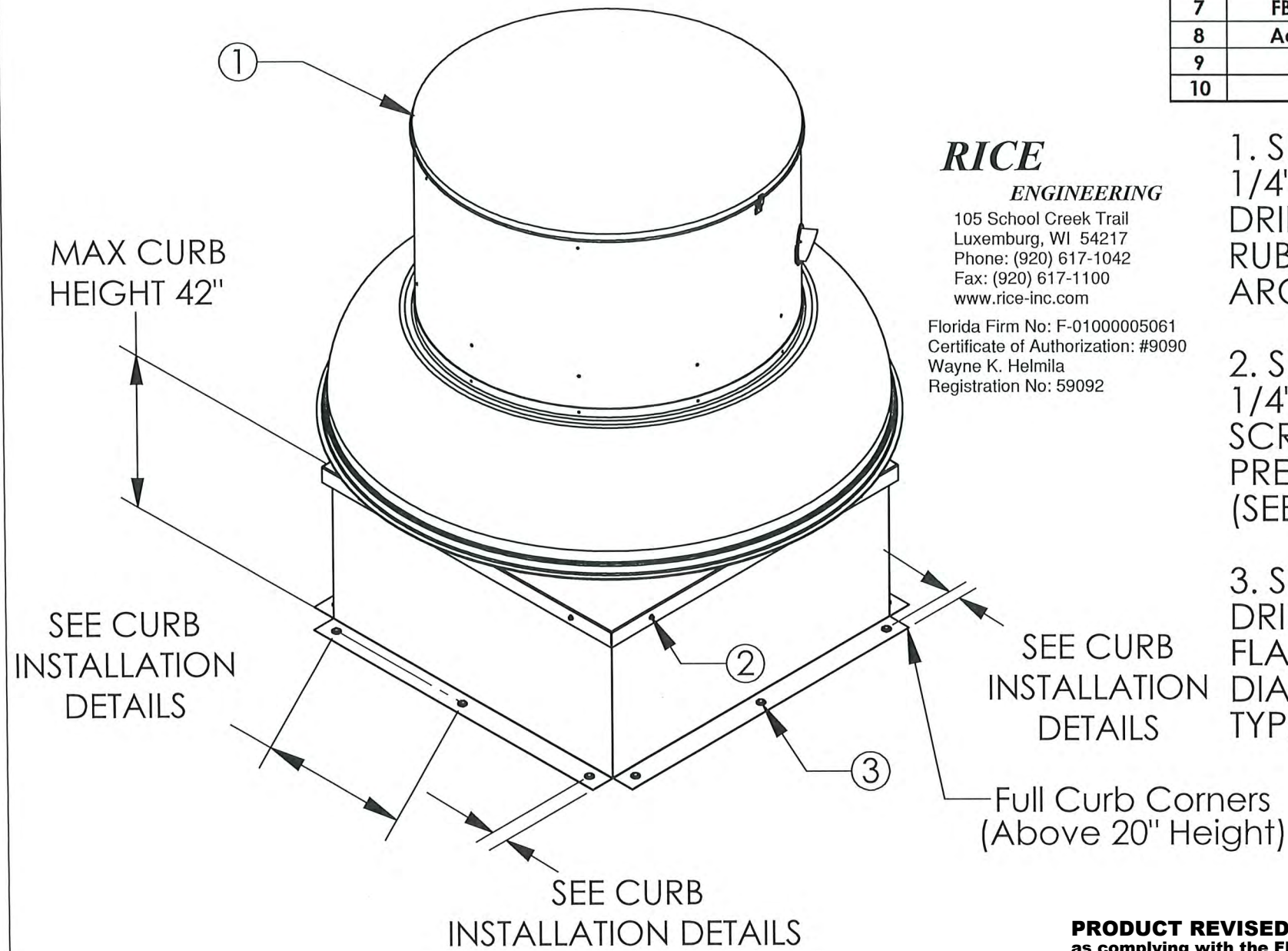
Part Number: N/A
 MACOLA Number: N/A
 Drawing Name: DOWNBLAST
 Drawn By: N Perry
 Drawing Number: EXHAUST05
 Sheet: 5 of 13

Unless Otherwise Specified
 Dimensions are in Inches.
 Standard Tolerances are:
 Fractions: ±1/16
 Decimal: .XX±.05
 .XXX±.015
 Angles: ±1°



Installation - Downblast Aluminum Fans

Revision History				
#	Description	Revised by	ECN#	Date
4	Increased Design Pressure +/- 150 PSF	WBG	2753	9/9/14
5	Added Curb Heights	JJH	2740	5/6/15
6	Changed Notes On Curb Installation	N Perry	2846	10/22/15
7	FBC 2017 /Cracked Concrete Calcs	J Hess	2997	11/27/17
8	Added Alternate Brand to Drawings	JJH	3061	3/26/19
9	Changed to Full Curb Corners	JJH	--	3/8/21
10	Added Multiple Brands	CAG	3189	7/14/23



RICE ENGINEERING

105 School Creek Trail
Luxemburg, WI 54217
Phone: (920) 617-1042
Fax: (920) 617-1100
www.rice-inc.com

Florida Firm No: F-01000005061
Certificate of Authorization: #9090
Wayne K. Helmila
Registration No: 59092

1. SECURE LID TO FAN USING (8) 1/4"-14 X 1" ZINC PLATED STEEL SELF DRILLING SHEET METAL SCREWS WITH RUBBER WASHER SPACED EVENLY AROUND LID.

2. SECURE FAN BASE TO CURB USING 1/4"-14 X 2" GALVANIZED SELF DRILLING SCREWS (A307 OR BETTER) THROUGH PRE-PUNCHED HOLES IN THE FAN BASE. (SEE TABLE A ON PAGE 7 THRU 12 FOR QTY).

3. SECURE CURB TO ROOF OR WALL BY DRILLING 1/4" DIA PILOT HOLES IN THE CURB FLANGE AT LOCATIONS SHOWN IN THE DIAGRAM. SEE PAGES 7 THRU 12 FOR FASTENER TYPE. USE TABLE B FOR FASTENER QTY.

PRODUCT REVISED
as complying with the Florida Building Code
NOA-No. 24-0104.05
Expiration Date 03/04/2029
By *[Signature]*
Miami-Dade Product Control



Notes:

1. Tested in accordance to Florida Building Code test protocol TAS-201, TAS-202, TAS203.
2. Tested for areas including high velocity hurricane zones.
3. Tested under Miami-Dade County Notification number ATI 08033.

CaptiveAire, Inc. commercial kitchen ventilation
4641 Paragon Park Road, Raleigh, NC 27616
P 800.334.925 | F 919.227.5994

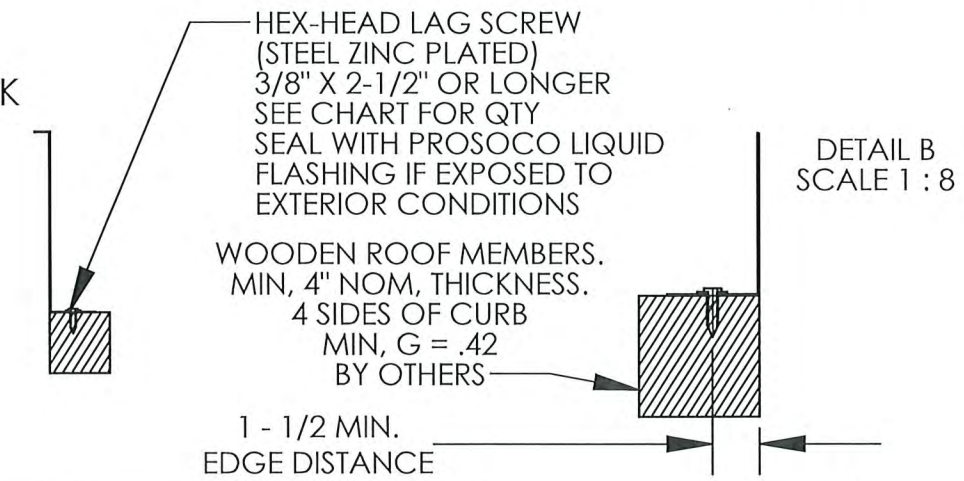
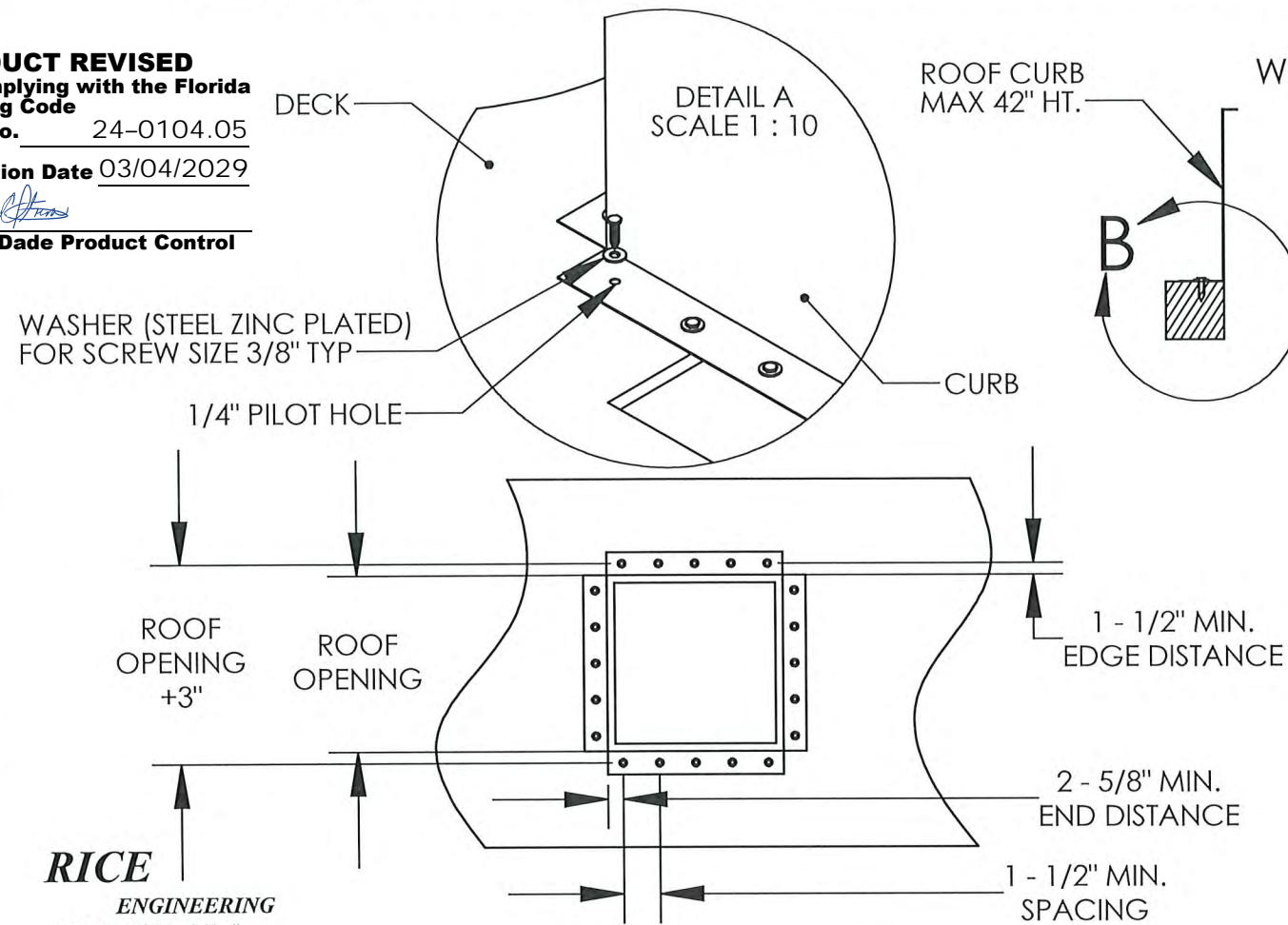
Material: N/A	Part Number: N/A	Unless Otherwise Specified Dimensions are in Inches. Standard Tolerances are: Fractions: ±1/16 Decimal: .XX±.05 .XXX±.015 Angles: ±1°
Blank Size: N/A x N/A	MACOLA Number: N/A	
Weight: N/A lbs	Drawing Name: DOWNBLAST	
	Drawn By: N Perry	
	Drawing Number: EXHAUST06	
	Sheet: 6 of 13	



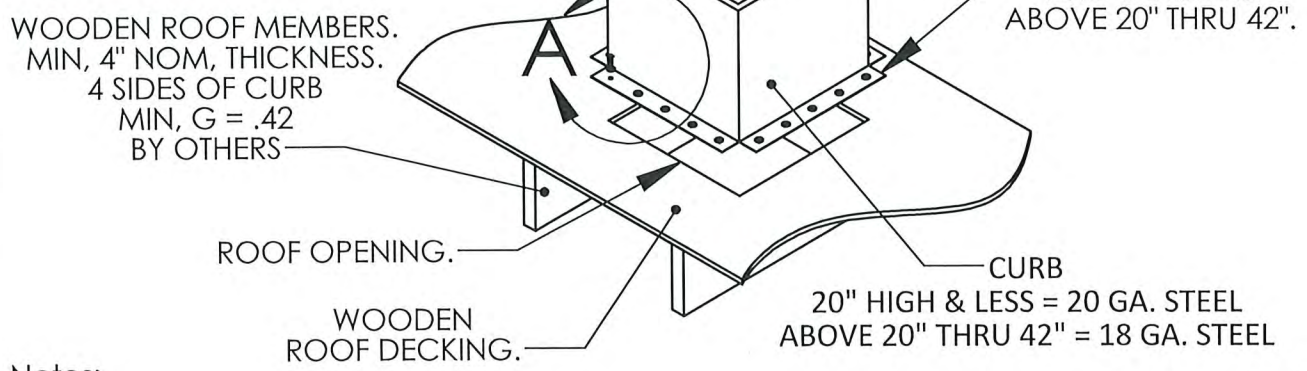
Miami-Dade County - Roof Curb Installation Guide For Wood Substrate

CaptiveAire, Inc. commercial kitchen ventilation
 4641 Paragon Park Road, Raleigh, NC 27616
 P 800.334.925 | F 919.227.5994

PRODUCT REVISED
 as complying with the Florida Building Code
NOA-No. 24-0104.05
Expiration Date 03/04/2029
 By *[Signature]*
Miami-Dade Product Control



RICE
 ENGINEERING
 105 School Creek Trail
 Luxemburg, WI 54217
 Phone: (920) 617-1042
 Fax: (920) 617-1100
 www.rice-inc.com
 Florida Firm No: F-0100005061
 Certificate of Authorization: #9090
 Wayne K. Helmila
 Registration No: 59092



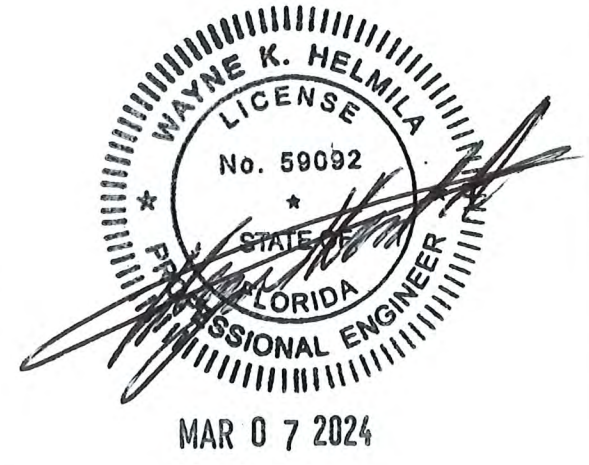
- Notes:
1. Tested in accordance to Florida Building Code test protocol TAS-201, TAS-202, TAS203.
 2. Tested for areas including high velocity hurricane zones.
 3. Tested under Miami-Dade County Notification number ATI 08033.

TABLE A: FAN TO CURB

Unit Size	Base Size	Curb Size	Fasteners	
			Per Side	Total
DU10, DU12 / DR10, DR12 / DDAR10, DDAR12	19"	17 - 1/2"	3	12
DU25, DU30, DU33, DU50, NCA08, NCA10 / DR25, DR30, DR33, DR50, DD7, DD8, DD9, DD11, DD13 / DDAR14, DMUA14	21"	19 - 1/2"	3	12
DU75, DU85, NCA14 / DR75, DR85, DD15	24 - 3/4"	23"	3	12
DDAR18, DMUA18	26"	24 - 1/2"	3	12
DU180, DU200, NCA16, NCA18 / DR180, DR200, DD18, DD20	28"	26 - 1/2"	3	12
DU240, NCA24 / DR240, DD24	33"	31 - 1/2"	3	12
DU300, NCA30 / DR300, DD30	40"	38 - 1/2"	3	12
DU360, NCA36 / DR360, DD36	44"	42 - 1/2"	4	16

TABLE B: CURB TO DECK

Unit Size	Wood	
	Per Side	Total
DU10, DU12 / DR10, DR12 / DDAR10, DDAR12	3	12
DU25, DU30, DU33, DU50, NCA08, NCA10 / DR25, DR30, DR33, DR50, DD7, DD8, DD9, DD11, DD13 / DDAR14, DMUA14	3	12
DU75, DU85, NCA14 / DR75, DR85, DD15	4	16
DDAR18, DMUA18	5	20
DU180, DU200, NCA16, NCA18 / DR180, DR200, DD18, DD20	5	20
DU240, NCA24 / DR240, DD24	6	24
DU300, NCA30 / DR300, DD30	7	28
DU360, NCA36 / DR360, DD36	10	40



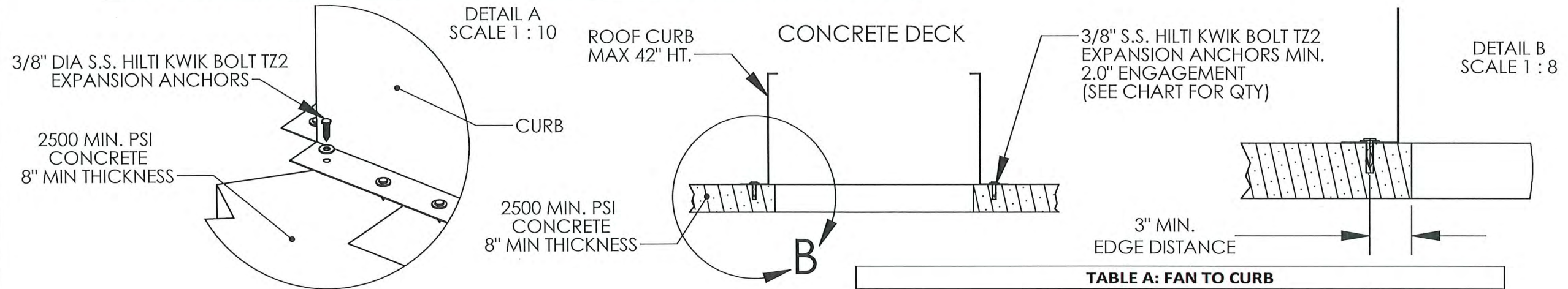
SEE PAGE 13 FOR ALTERNATE BRANDS

Material: N/A	Part Number: N/A	Unless Otherwise Specified Dimensions are in Inches. Standard Tolerances are: Fractions: ±1/16 Decimal: .XX±.05 .XXX±.015 Angles: ±1°
Blank Size: N/A x N/A	MACOLA Number: N/A	
Weight: N/A lbs	Drawing Name: CURB	
	Drawn By: N Perry	
	Drawing Number: EXHAUST07	
	Sheet: 7 of 13	



Miami-Dade County - Roof Curb Installation Guide For Concrete Substrate

CaptiveAire, Inc. commercial kitchen ventilation
4641 Paragon Park Road, Raleigh, NC 27616
P 800.334.925 | F 919.227.5994



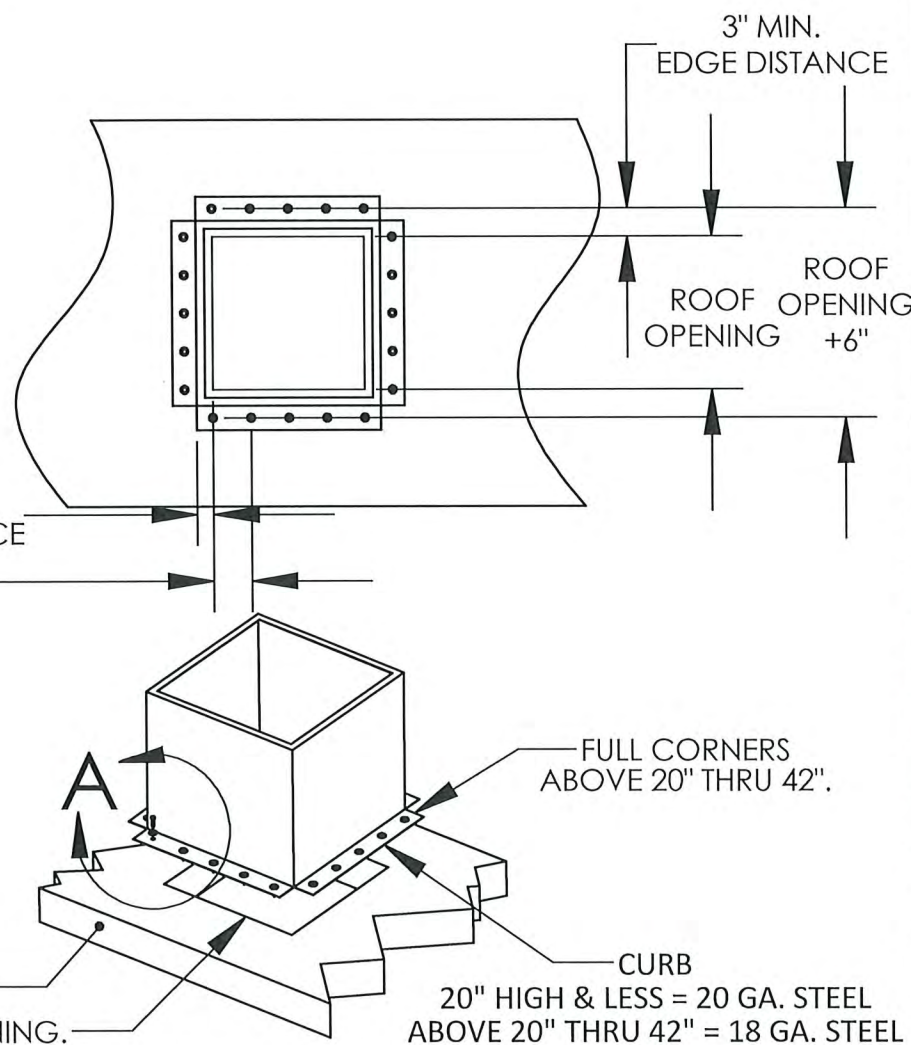
RICE ENGINEERING

105 School Creek Trail
Luxemburg, WI 54217
Phone: (920) 617-1042
Fax: (920) 617-1100
www.rice-inc.com

Florida Firm No: F-0100005061
Certificate of Authorization: #9090
Wayne K. Helmila
Registration No: 59092

3" MIN.
END DISTANCE

5 - 1/2" MIN.
SPACING



PRODUCT REVISED
as complying with the Florida
Building Code

NOA-No. 24-0104.05

Expiration Date 03/04/2029

By *[Signature]*
Miami-Dade Product Control

Notes:

1. Tested in accordance to Florida Building Code test protocol TAS-201, TAS-202, TAS203.
2. Tested for areas including high velocity hurricane zones.
3. Tested under Miami-Dade County Notification number ATI 08033.

TABLE A: FAN TO CURB

Unit Size	Base Size	Curb Size	Fasteners	
			Per Side	Total
DU10, DU12 / DR10, DR12 / DDAR10, DDAR12	19"	17 - 1/2"	3	12
DU25, DU30, DU33, DU50, NCA08, NCA10 / DR25, DR30, DR33, DR50, DD7, DD8, DD9, DD11, DD13 / DDAR14, DMUA14	21"	19 - 1/2"	3	12
DU75, DU85, NCA14 / DR75, DR85, DD15	24 - 3/4"	23"	3	12
DDAR18, DMUA18	26"	24 - 1/2"	3	12
DU180, DU200, NCA16, NCA18 / DR180, DR200, DD18, DD20	28"	26 - 1/2"	3	12
DU240, NCA24 / DR240, DD24	33"	31 - 1/2"	3	12
DU300, NCA30 / DR300, DD30	40"	38 - 1/2"	3	12
DU360, NCA36 / DR360, DD36	44"	42 - 1/2"	4	16

TABLE B: CURB TO DECK

Unit Size	Concrete	
	Per Side	Total
DU10, DU12 / DR10, DR12 / DDAR10, DDAR12	3	12
DU25, DU30, DU33, DU50, NCA08, NCA10 / DR25, DR30, DR33, DR50, DD7, DD8, DD9, DD11, DD13 / DDAR14, DMUA14	3	12
DU75, DU85, NCA14 / DR75, DR85, DD15	4	16
DDAR18, DMUA18	5	20
DU180, DU200, NCA16, NCA18 / DR180, DR200, DD18, DD20	5	20
DU240, NCA24 / DR240, DD24	6	24
DU300, NCA30 / DR300, DD30	7	28
DU360, NCA36 / DR360, DD36	9	36

SEE PAGE 13 FOR ALTERNATE BRANDS



Material: N/A	Part Number: N/A
Blank Size: N/A x N/A	MACOLA Number: N/A
Weight: N/A lbs	Drawing Name: CURB
	Drawn By: N Perry
	Drawing Number: EXHAUST08
	Sheet: 8 of 13

Unless Otherwise Specified Dimensions are in Inches.
Standard Tolerances are: Fractions: ±1/16 Decimal: .XX±.05 .XXX±.015 Angles: ±1°

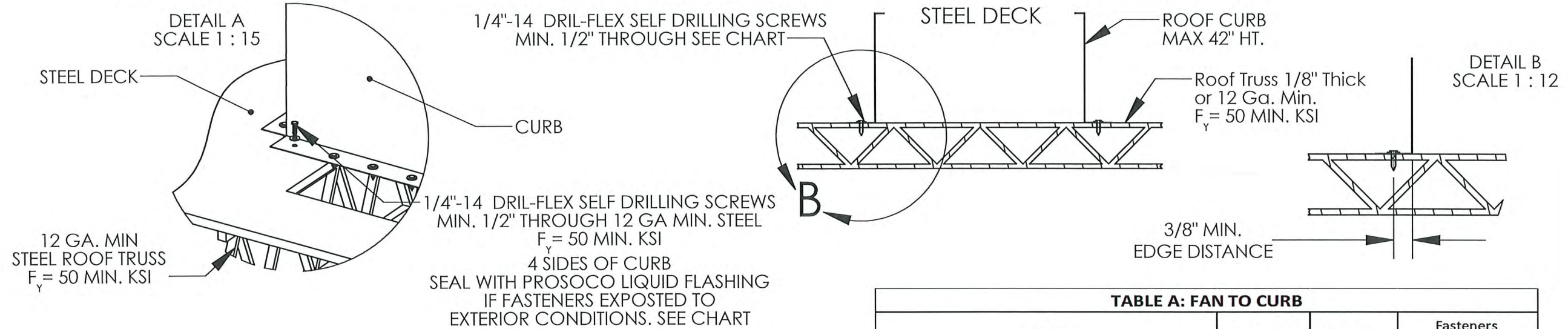


Miami-Dade County - Roof Curb Installation Guide For Steel Substrate

CaptiveAire, Inc. commercial kitchen ventilation

4641 Paragon Park Road, Raleigh, NC 27616

P 800.334.925 | F 919.227.5994



PRODUCT REVISED
 as complying with the Florida Building Code
 NOA-No. 24-0104.05
 Expiration Date 03/04/2029
 By *[Signature]*
 Miami-Dade Product Control

RICE
 ENGINEERING

105 School Creek Trail
 Luxemburg, WI 54217
 Phone: (920) 617-1042
 Fax: (920) 617-1100
 www.rice-inc.com

Florida Firm No: F-01000005061
 Certificate of Authorization: #9090
 Wayne K. Helmila
 Registration No: 59092

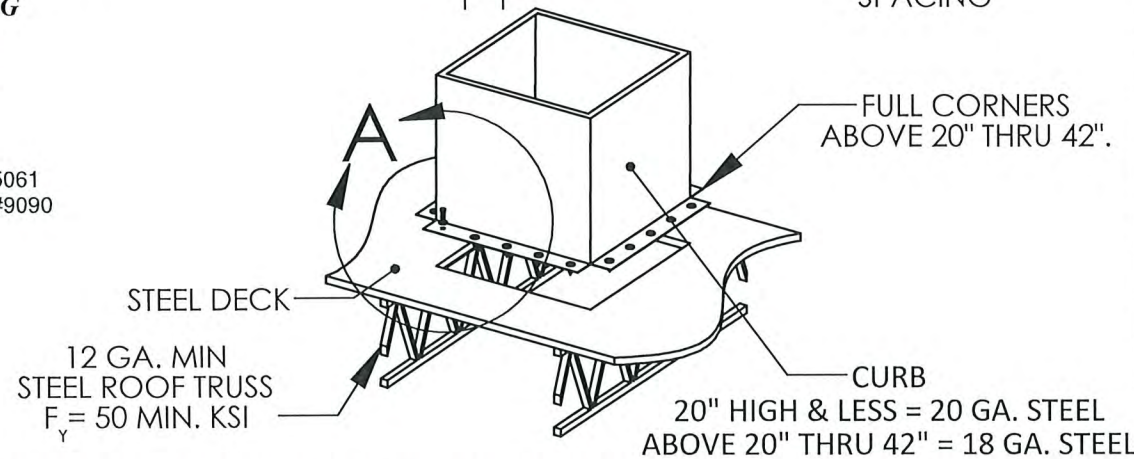
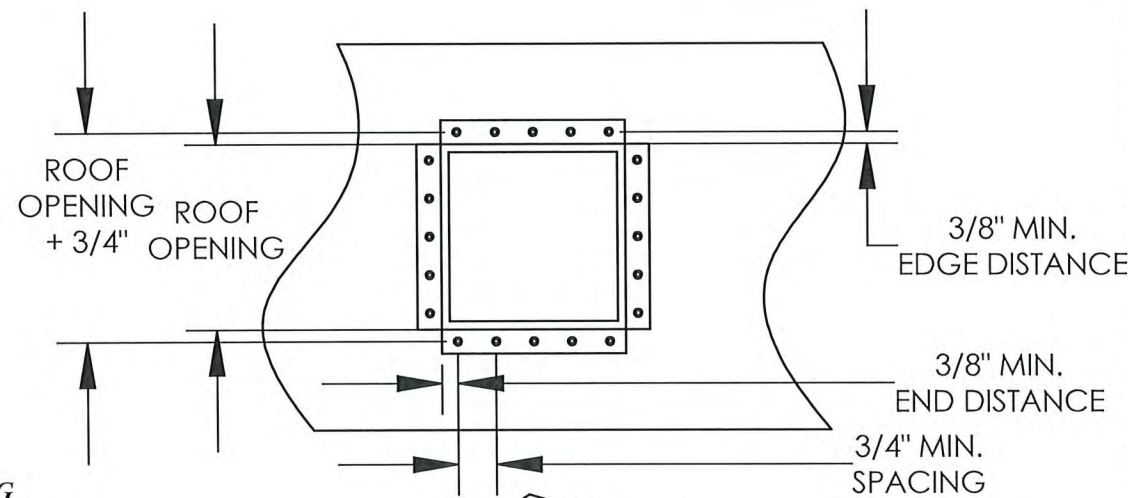


TABLE A: FAN TO CURB

Unit Size	Base Size	Curb Size	Fasteners	
			Per Side	Total
DU10, DU12 / DR10, DR12 / DDAR10, DDAR12	19"	17 - 1/2"	3	12
DU25, DU30, DU33, DU50, NCA08, NCA10 / DR25, DR30, DR33, DR50, DD7, DD8, DD9, DD11, DD13 / DDAR14, DMUA14	21"	19 - 1/2"	3	12
DU75, DU85, NCA14 / DR75, DR85, DD15	24 - 3/4"	23"	3	12
DDAR18, DMUA18	26"	24 - 1/2"	3	12
DU180, DU200, NCA16, NCA18 / DR180, DR200, DD18, DD20	28"	26 - 1/2"	3	12
DU240, NCA24 / DR240, DD24	33"	31 - 1/2"	3	12
DU300, NCA30 / DR300, DD30	40"	38 - 1/2"	3	12
DU360, NCA36 / DR360, DD36	44"	42 - 1/2"	4	16

TABLE B: CURB TO DECK

Unit Size	Steel	
	Per Side	Total
DU10, DU12 / DR10, DR12 / DDAR10, DDAR12	3	12
DU25, DU30, DU33, DU50, NCA08, NCA10 / DR25, DR30, DR33, DR50, DD7, DD8, DD9, DD11, DD13 / DDAR14, DMUA14	4	16
DU75, DU85, NCA14 / DR75, DR85, DD15	5	20
DDAR18, DMUA18	6	24
DU180, DU200, NCA16, NCA18 / DR180, DR200, DD18, DD20	6	24
DU240, NCA24 / DR240, DD24	7	28
DU300, NCA30 / DR300, DD30	9	36
DU360, NCA36 / DR360, DD36	11	44

SEE PAGE 13 FOR ALTERNATE BRANDS



MAR 07 2024

- Notes:
1. Tested in accordance to Florida Building Code test protocol TAS-201, TAS-202, TAS203.
 2. Tested for areas including high velocity hurricane zones.
 3. Tested under Miami-Dade County Notification number ATI 08033.

Material: N/A	Part Number: N/A
Blank Size: N/A x N/A	MACOLA Number: N/A
Weight: N/A lbs	Drawing Name: CURB
	Drawn By: N Perry
	Drawing Number: EXHAUST09
	Sheet: 9 of 13

Unless Otherwise Specified Dimensions are in Inches.
Standard Tolerances are:
Fractions: ±1/16
Decimal: .XX ±.05
.XXX ±.015
Angles: ±1°

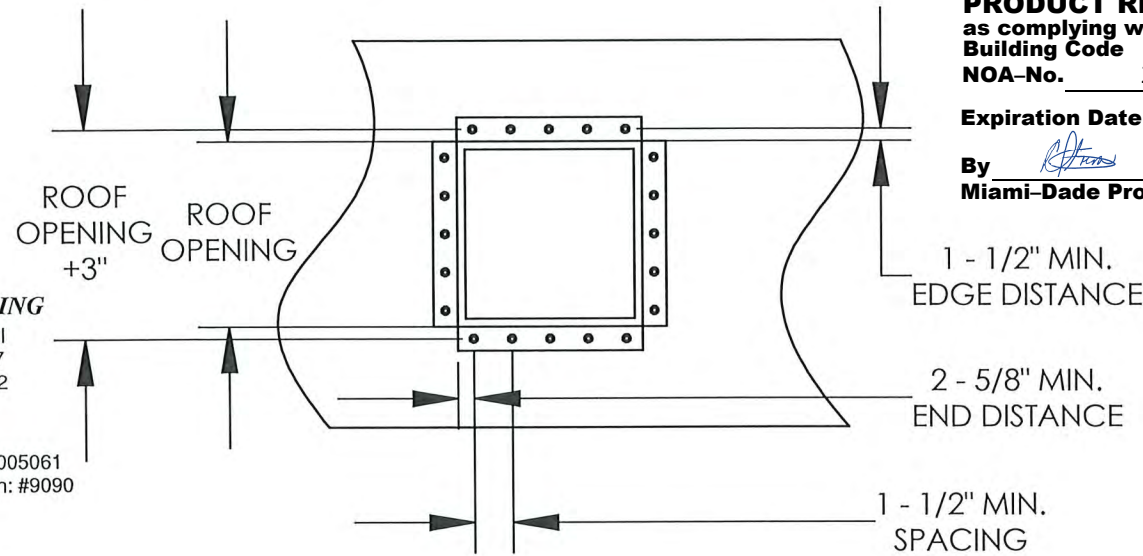


Miami-Dade County - Wall Curb Installation Guide For Wood Construction

CaptiveAire, Inc. commercial kitchen ventilation
4641 Paragon Park Road, Raleigh, NC 27616
P 800.334.925 | F 919.227.5994

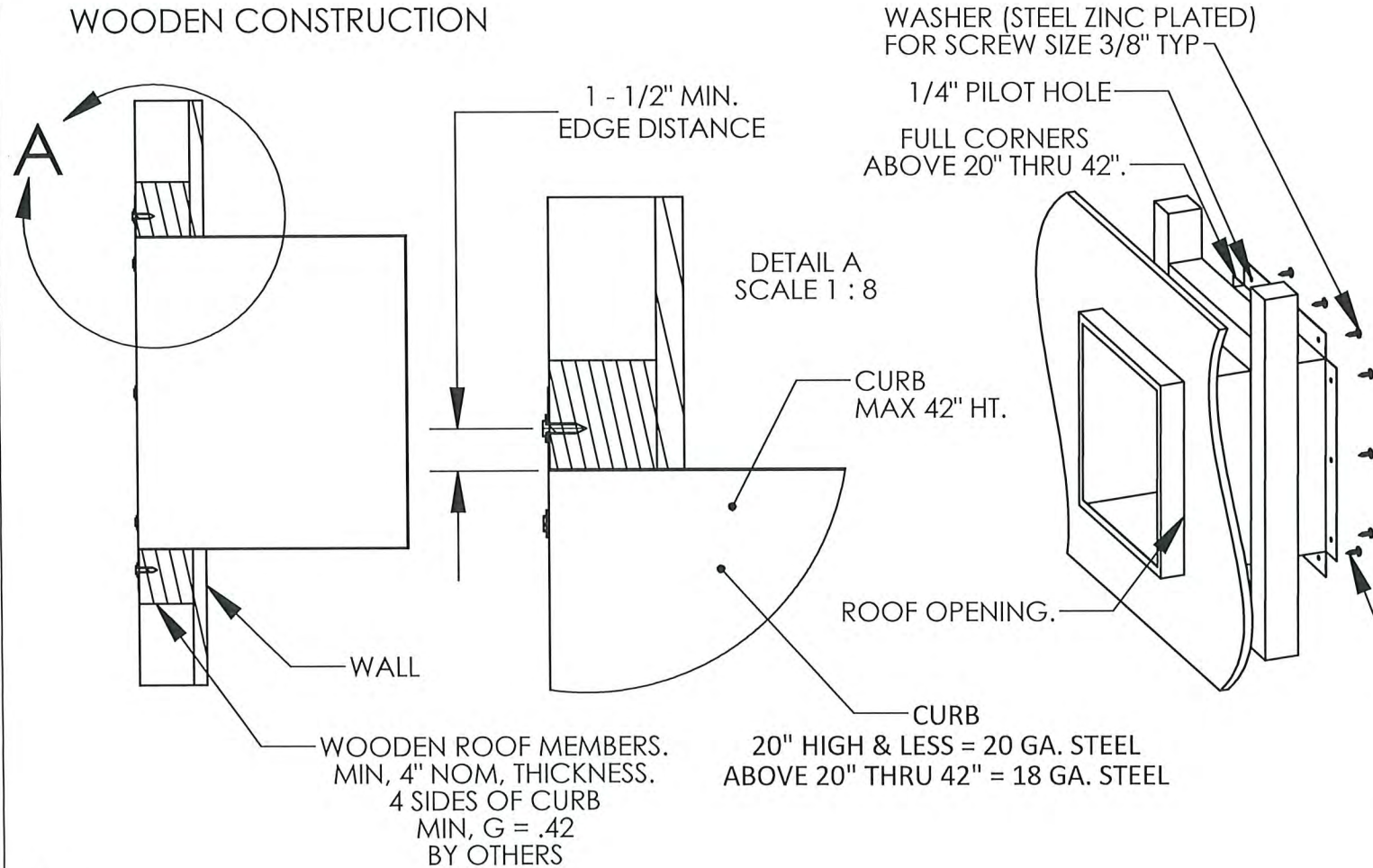
RICE
ENGINEERING
105 School Creek Trail
Luxemburg, WI 54217
Phone: (920) 617-1042
Fax: (920) 617-1100
www.rice-inc.com

Florida Firm No: F-01000005061
Certificate of Authorization: #9090
Wayne K. Helmila
Registration No: 59092



PRODUCT REVISED
as complying with the Florida
Building Code
NOA-No. 24-0104.05
Expiration Date 03/04/2029
By *[Signature]*
Miami-Dade Product Control

WOODEN CONSTRUCTION



HEX-HEAD LAG SCREW
(STEEL ZINC PLATED)
3/8" X 2-1/2" OR LONGER
SEE CHART FOR QTY
SEAL WITH PROSOCO
LIQUID FLASHING IF FASTENERS
EXPOSED TO EXTERIOR CONDITIONS

Unit Size	Base Size	Curb Size	Fasteners	
			Per Side	Total
DU10, DU12 / DR10, DR12 / DDAR10, DDAR12	19"	17 - 1/2"	3	12
DU25, DU30, DU33, DU50, NCA08, NCA10 / DR25, DR30, DR33, DR50, DD7, DD8, DD9, DD11, DD13 / DDAR14, DMUA14	21"	19 - 1/2"	3	12
DU75, DU85, NCA14 / DR75, DR85, DD15	24 - 3/4"	23"	3	12
DDAR18, DMUA18	26"	24 - 1/2"	3	12
DU180, DU200, NCA16, NCA18 / DR180, DR200, DD18, DD20	28"	26 - 1/2"	3	12
DU240, NCA24 / DR240, DD24	33"	31 - 1/2"	3	12
DU300, NCA30 / DR300, DD30	DO NOT WALL MOUNT			
DU360, NCA36 / DR360, DD36				

Unit Size	Wood	
	Per Side	Total
DU10, DU12 / DR10, DR12 / DDAR10, DDAR12	3	12
DU25, DU30, DU33, DU50, NCA08, NCA10 / DR25, DR30, DR33, DR50, DD7, DD8, DD9, DD11, DD13 / DDAR14, DMUA14	3	12
DU75, DU85, NCA14 / DR75, DR85, DD15	4	16
DDAR18, DMUA18	5	20
DU180, DU200, NCA16, NCA18 / DR180, DR200, DD18, DD20	5	20
DU240, NCA24 / DR240, DD24	6	24
DU300, NCA30 / DR300, DD30	DO NOT WALL MOUNT	
DU360, NCA36 / DR360, DD36		

SEE PAGE 13 FOR ALTERNATE BRANDS



MAR 07 2024

Notes:

1. Tested in accordance to Florida Building Code test protocol TAS-201, TAS-202, TAS203.
2. Tested for areas including high velocity hurricane zones.
3. Tested under Miami-Dade County Notification number ATI 18033.

Material: N/A
Blank Size: N/A x N/A
Weight: N/A lbs

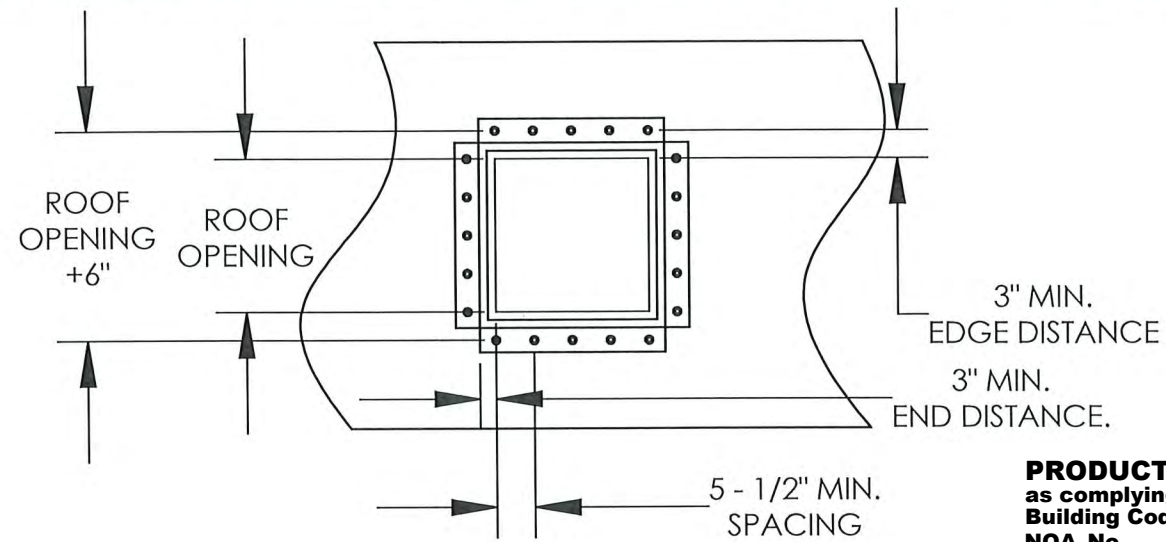
Part Number: N/A
MACOLA Number: N/A
Drawing Name: CURB
Drawn By: N Perry
Drawing Number: EXHAUST10
Sheet: 10 of 13

Unless Otherwise Specified
Dimensions are in Inches.
Standard Tolerances are:
Fractions: ±1/16
Decimal: .XX±.05
.XXX±.015
Angles: ±1°



Miami-Dade County - Wall Curb Installation Guide For Concrete Construction

CaptiveAire, Inc. commercial kitchen ventilation
4641 Paragon Park Road, Raleigh, NC 27616
P 800.334.925 | F 919.227.5994

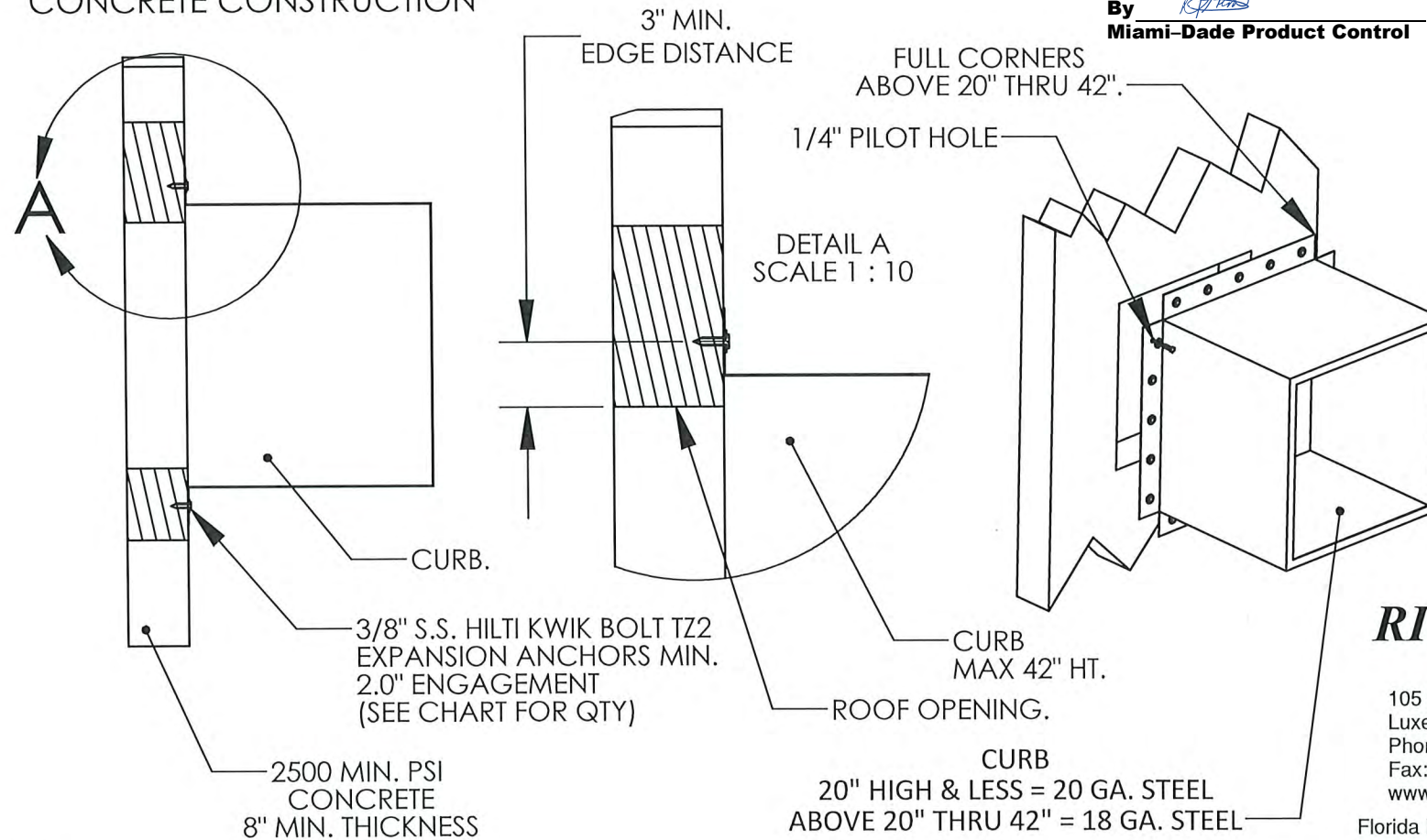


PRODUCT REVISED
as complying with the Florida
Building Code
NOA-No. 24-0104.05

Expiration Date 03/04/2029

By *[Signature]*
Miami-Dade Product Control

CONCRETE CONSTRUCTION



Unit Size	Base Size	Curb Size	Fasteners	
			Per Side	Total
DU10, DU12 / DR10, DR12 / DDAR10, DDAR12	19"	17 - 1/2"	3	12
DU25, DU30, DU33, DU50, NCA08, NCA10 / DR25, DR30, DR33, DR50, DD7, DD8, DD9, DD11, DD13 / DDAR14, DMUA14	21"	19 - 1/2"	3	12
DU75, DU85, NCA14 / DR75, DR85, DD15	24 - 3/4"	23"	3	12
DDAR18, DMUA18	26"	24 - 1/2"	3	12
DU180, DU200, NCA16, NCA18 / DR180, DR200, DD18, DD20	28"	26 - 1/2"	3	12
DU240, NCA24 / DR240, DD24	33"	31 - 1/2"	3	12
DU300, NCA30 / DR300, DD30	DO NOT WALL MOUNT			
DU360, NCA36 / DR360, DD36				

Unit Size	Concrete	
	Per Side	Total
DU10, DU12 / DR10, DR12 / DDAR10, DDAR12	3	12
DU25, DU30, DU33, DU50, NCA08, NCA10 / DR25, DR30, DR33, DR50, DD7, DD8, DD9, DD11, DD13 / DDAR14, DMUA14	3	12
DU75, DU85, NCA14 / DR75, DR85, DD15	4	16
DDAR18, DMUA18	5	20
DU180, DU200, NCA16, NCA18 / DR180, DR200, DD18, DD20	5	20
DU240, NCA24 / DR240, DD24	6	24
DU300, NCA30 / DR300, DD30	DO NOT WALL MOUNT	
DU360, NCA36 / DR360, DD36		

SEE PAGE 13 FOR ALTERNATE BRANDS

RICE

ENGINEERING

105 School Creek Trail
Luxemburg, WI 54217
Phone: (920) 617-1042
Fax: (920) 617-1100
www.rice-inc.com

Florida Firm No: F-01000005061
Certificate of Authorization: #9090
Wayne K. Helmila
Registration No: 59092



Notes:

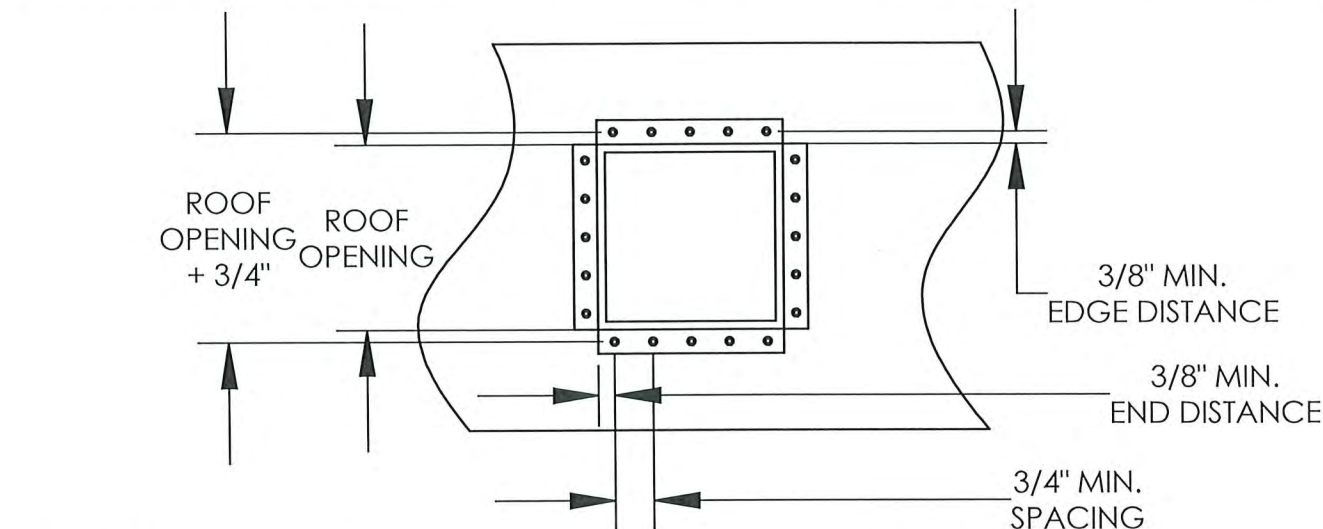
1. Tested in accordance to Florida Building Code test protocol TAS-201, TAS-202, TAS203.
2. Tested for areas including high velocity hurricane zones.
3. Tested under Miami-Dade County Notification number ATI 18033.

Material: N/A	Part Number: N/A	Unless Otherwise Specified Dimensions are in Inches.
Blank Size: N/A x N/A	MACOLA Number: N/A	
Weight: N/A lbs	Drawing Name: CURB	
	Drawn By: N Perry	
	Drawing Number: EXHAUST11	
	Sheet: 11 of 13	
		Standard Tolerances are: Fractions: ±1/16 Decimal: .XX±.05 .XXX±.015 Angles: ±1°



Miami-Dade County - Wall Curb Installation Guide For Steel Construction

CaptiveAire, Inc. commercial kitchen ventilation
 4641 Paragon Park Road, Raleigh, NC 27616
 P 800.334.925 | F 919.227.5994



STEEL CONSTRUCTION

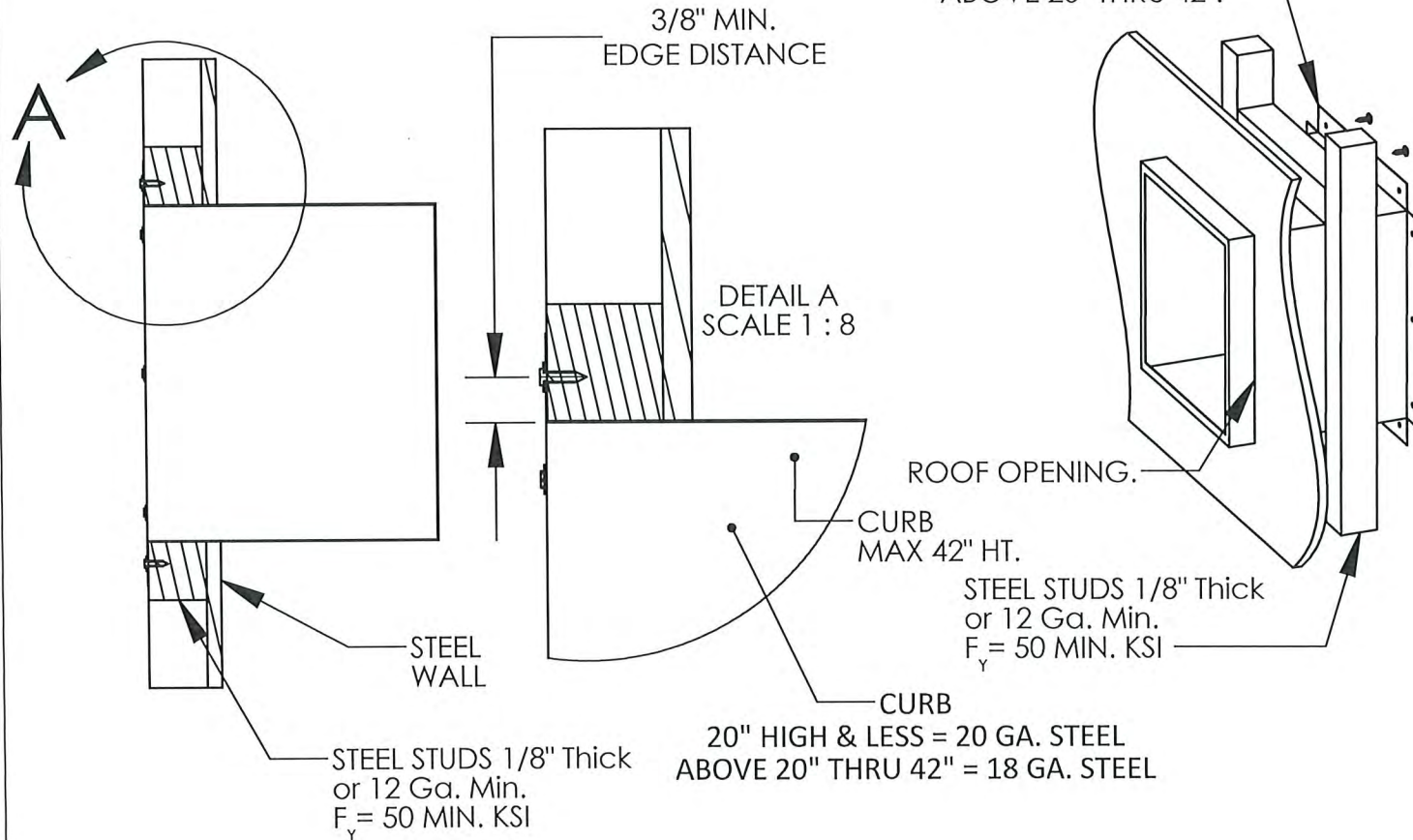


TABLE A: FAN TO CURB

Unit Size	Base Size	Curb Size	Fasteners	
			Per Side	Total
DU10, DU12 / DR10, DR12 / DDAR10, DDAR12	19"	17 - 1/2"	3	12
DU25, DU30, DU33, DU50, NCA08, NCA10 / DR25, DR30, DR33, DR50, DD7, DD8, DD9, DD11, DD13 / DDAR14, DMUA14	21"	19 - 1/2"	3	12
DU75, DU85, NCA14 / DR75, DR85, DD15	24 - 3/4"	23"	3	12
DDAR18, DMUA18	26"	24 - 1/2"	3	12
DU180, DU200, NCA16, NCA18 / DR180, DR200, DD18, DD20	28"	26 - 1/2"	3	12
DU240, NCA24 / DR240, DD24	33"	31 - 1/2"	3	12
DU300, NCA30 / DR300, DD30	DO NOT WALL MOUNT			
DU360, NCA36 / DR360, DD36				

TABLE B: CURB TO WALL

Unit Size	Steel	
	Per Side	Total
DU10, DU12 / DR10, DR12 / DDAR10, DDAR12	3	12
DU25, DU30, DU33, DU50, NCA08, NCA10 / DR25, DR30, DR33, DR50, DD7, DD8, DD9, DD11, DD13 / DDAR14, DMUA14	4	16
DU75, DU85, NCA14 / DR75, DR85, DD15	5	20
DDAR18, DMUA18	6	24
DU180, DU200, NCA16, NCA18 / DR180, DR200, DD18, DD20	6	24
DU240, NCA24 / DR240, DD24	7	28
DU300, NCA30 / DR300, DD30	DO NOT WALL MOUNT	
DU360, NCA36 / DR360, DD36		

SEE PAGE 13 FOR ALTERNATE BRANDS

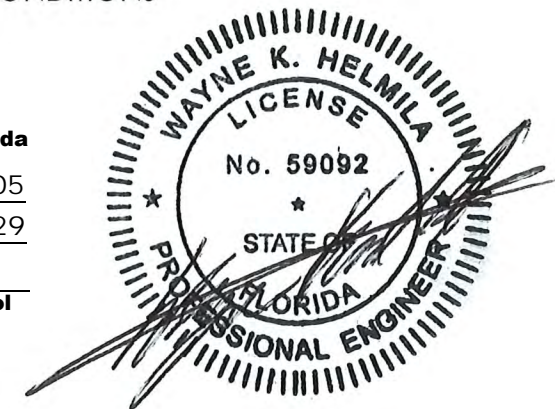
1/4"-14 DRIL-FLEX SELF DRILLING SCREWS
 MIN. 1/2" THROUGH 12 GA MIN. STEEL. F_y = 50 MIN. KSI
 4 SIDES OF CURB
 SEAL WITH PROSOCO LIQUID
 IF FASTENERS EXPOSED TO EXTERIOR CONDITIONS

RICE
 ENGINEERING

105 School Creek Trail
 Luxemburg, WI 54217
 Phone: (920) 617-1042
 Fax: (920) 617-1100
 www.rice-inc.com

Florida Firm No: F-0100005061
 Certificate of Authorization: #9090
 Wayne K. Helmila
 Registration No: 59092

PRODUCT REVISED
 as complying with the Florida
 Building Code
 NOA-No. 24-0104.05
 Expiration Date 03/04/2029
 By *[Signature]*
 Miami-Dade Product Control



MAR 07 2024

- Notes:
1. Tested in accordance to Florida Building Code test protocol TAS-201, TAS-202, TAS203.
 2. Tested for areas including high velocity hurricane zones.
 3. Tested under Miami-Dade County Notification number ATI 18033.

Material: N/A	Part Number: N/A	Unless Otherwise Specified Dimensions are in Inches.
Blank Size: N/A x N/A	MACOLA Number: N/A	
Weight: N/A lbs	Drawing Name: CURB	
	Drawn By: N Perry	
	Drawing Number: EXHAUST12	
	Sheet: 12 of 13	



ALTERNATE BRANDS

UPBLAST ALUMINUM FANS	DOWNBLAST ALUMINUM FANS
CAS FAN MODEL	CAS FAN MODEL
DU10	DR10
DU12	DR12
DU25	DR25
DU30	DR30
DU33	DR33
DU50	DR50
DU75	DR75
DU85	DR85
DU180	DR180
DU200	DR200
DU240	DR240
DU300	DR300
DU360	DR360
NCA08	DD7
NCA10	DD8
NCA16	DD11
NCA18	DD13
NCA24	DD15
NCA30	DD18
NCA36	DD20
N/A	DD24
N/A	DD30
N/A	DD36
N/A	DDDAR10
N/A	DDDAR12
N/A	DDDAR14
N/A	DDDAR18
N/A	DMUA14
N/A	DMUA18

RICE

ENGINEERING

105 School Creek Trail
Luxemburg, WI 54217
Phone: (920) 617-1042
Fax: (920) 617-1100
www.rice-inc.com

Florida Firm No: F-01000005061
Certificate of Authorization: #9090
Wayne K. Helmila
Registration No: 59092



PRODUCT REVISED
as complying with the Florida
Building Code
NOA-No. 24-0104.05
Expiration Date 03/04/2029
By *[Signature]*
Miami-Dade Product Control

NOTE: THE DETAILED UNITS CAN BE LISTED UNDER THE FOLLOWING ALTERNATE BRANDS:
ADVANCED HOOD SYSTEMS (AH-), AEROLATOR (AR-), AQUAMTIC (AM), ECON AIR (EA)
FLOAIRE (H), GREASEMASTER (GM), K-TECH (K), LDI (LA-), RUPP AIR (RA), STRATOVENT (SY-),
SUNAIR (SA-), THERMOTEK (TH), AND VENTILATION DIRECT (VX).

CaptiveAire, Inc. commercial kitchen ventilation
4641 Paragon Park Road, Raleigh, NC 27616
P 800.334.925 | F 919.227.5994

Material: N/A	Part Number: N/A	Unless Otherwise Specified Dimensions are in Inches. Standard Tolerances are: Fractions: ±1/16 Decimal: .XX±.05 .XXX±.015 Angles: ±1°
Blank Size: N/A	MACOLA Number: N/A	
Weight: N/A	Drawing Name: ALTERNATE BRANDS	
	Drawn By: CAG	
	Drawing Number: EXHAUST13	
	Sheet: 13 of 13	

