



DEPARTMENT OF REGULATORY AND ECONOMIC RESOURCES (RER)
BOARD AND CODE ADMINISTRATION DIVISION

NOTICE OF ACCEPTANCE (NOA)

MIAMI-DADE COUNTY
PRODUCT CONTROL SECTION
11805 SW 26 Street, Room 208
Miami, Florida 33175-2474
T (786) 315-2590 F (786) 315-2599
www.miamidade.gov/economy

CaptiveAire Systems, Inc.
4641 Paragon Park Road
Raleigh, NC 27616

SCOPE: This NOA is being issued under the applicable rules and regulations governing the use of construction materials. The documentation submitted has been reviewed and accepted by Miami-Dade County RER-Product Control Section to be used in Miami-Dade County and other areas where allowed by the Authority Having Jurisdiction (AHJ).

This NOA shall not be valid after the expiration date stated below. The Miami-Dade County Product Control Section (In Miami-Dade County) and/ or the AHJ (in areas other than Miami-Dade County) reserve the right to have this product or material tested for quality assurance purposes. If this product or material fails to perform in the accepted manner, the manufacturer will incur the expense of such testing and the AHJ may immediately revoke, modify, or suspend the use of such product or material within their jurisdiction. RER reserves the right to revoke this acceptance if it is determined by Miami-Dade County Product Control Section that this product or material fails to meet the requirements of the applicable building code.

This product is approved as described herein and has been designed to comply with the Florida Building Code, including the High Velocity Hurricane Zone.

DESCRIPTION: Series CASRTU Steel Rooftop Supply Fans

APPROVAL DOCUMENT: Drawing No. **RTUNOA**, titled "RTU – NOA 6", sheets 1 through 7 of 7, dated 11/27/2017, with revision 5 dated 07/14/2023, prepared by CaptiveAire Systems, Inc., signed and sealed by Wayne K. Helmila, P.E. on 03/07/2024, bearing the Miami-Dade County Product Control revision stamp with the Notice of Acceptance number and expiration date by the Miami-Dade County Product Control Section.

MISSILE IMPACT RATING: Large and Small Missile Impact Resistant

LABELING: Each unit shall bear a permanent label with the manufacturer's name or logo, one of the following manufacturing locations: Youngsville, NC; Muskogee, OK; Redding, CA; West Union, IA; Bedford, PA; Groveland, FL; Indianapolis, IN, model/ series, and following statement: "Miami-Dade County Product Control Approved", unless otherwise noted herein.

LIMITATION: These fans cannot be installed within the ridge area, FBC 1523.6.5.2.13.

RENEWAL of this NOA shall be considered after a renewal application has been filed and there has been no change in the applicable building code negatively affecting the performance of this product.

TERMINATION of this NOA will occur after the expiration date or if there has been a revision or change in the materials, use, and/ or manufacture of the product or process. Misuse of this NOA as an endorsement of any product, for sales, advertising or any other purposes shall automatically terminate this NOA. Failure to comply with any section of this NOA shall be cause for termination and removal of NOA.

ADVERTISEMENT: The NOA number preceded by the words Miami-Dade County, Florida, and followed by the expiration date may be displayed in advertising literature. If any portion of the NOA is displayed, then it shall be done in its entirety.

INSPECTION: A copy of this entire NOA shall be provided to the user by the manufacturer or its distributors and shall be available for inspection at the job site at the request of the Building Official.

This NOA **revises NOA # 21-0318.06** and consists of this page 1 and evidence pages E-1, E-2, E-3, E-4 and E-5, as well as approval document mentioned above.

The submitted documentation was reviewed by **Carlos M. Utrera, P.E.**



03/27/24

NOA No. 24-0104.07
Expiration Date: November 23, 2026
Approval Date: April 4, 2024
Page 1

NOTICE OF ACCEPTANCE: EVIDENCE SUBMITTED

1. Evidence submitted under previous NOA's

A. DRAWINGS “Submitted under NOA # 16-0427.01”

1. Drawing No. **RTUNOA6**, titled “RTU – NOA 6”, sheets 1 through 6 of 6, dated 10/01/2016, prepared by CaptiveAire Systems, Inc, signed and sealed by L. David Rice, P.E. on 10/25/2016.

B. TESTS “Submitted under NOA # 16-0427.01”

1. Test reports on 1) Uniform Static Air Pressure Test, Loading per FBC TAS 202-94
2) Large Missile Impact Test per FBC, TAS 201-94
3) Cyclic Wind Pressure Loading per FBC, TAS 203-94
along with marked-up drawings and installation diagram of Model RTU 2 and RTU 3 Rooftop Fans, prepared by Intertek/ATI, Test Report No. **F1669.01-109-18**, dated 02/19/2016, signed and sealed by Joseph A. Reed, P.E.

C. CALCULATIONS “Submitted under NOA # 16-0427.01”

1. Anchor verification calculations prepared by Rice Engineering, dated 03/28/2016, signed and sealed by L. David Rice, P.E.

D. QUALITY ASSURANCE

1. Miami-Dade Department of Regulatory and Economic Resources (RER)

E. MATERIAL CERTIFICATIONS

1. None.

F. STATEMENTS “Submitted under NOA # 16-0427.01”

1. Statement letter of code conformance to the 5th edition (2014) FBC issued by Rice Engineering, dated 03/17/2016, signed and sealed by L. David Rice, P.E.
2. Statement letters of no financial interest issued by Rice Engineering, dated 03/17/2016, signed and sealed by L. David Rice, P.E.



Carlos M. Utrera, P.E.
Product Control Examiner
NOA No. 24-0104.07
Expiration Date: November 23, 2026
Approval Date: April 4, 2024

NOTICE OF ACCEPTANCE: EVIDENCE SUBMITTED

2. Evidence submitted under NOA # 18-0118.12

A. DRAWINGS

1. Drawing No. **RTUNOA6**, titled “RTU – NOA 6”, sheets 1 through 6 of 6, dated 10/01/2016, with revision **1** dated 11/27/2017, prepared by CaptiveAire Systems, Inc., signed and sealed by Wayne K. Helmila, P.E.

B. TESTS

1. None.

C. CALCULATIONS

1. Anchor verification calculations prepared by Rice Engineering, dated 12/13/2017, signed and sealed by Wayne K. Helmila, P.E.

D. QUALITY ASSURANCE

1. Miami-Dade Department of Regulatory and Economic Resources (RER)

E. MATERIAL CERTIFICATIONS

1. None.

F. STATEMENTS

1. Statement letter of code conformance to **FBC 6th Edition (2017)**, dated December 12, 2017, issued by Rice Engineering, signed and sealed by Wayne K. Helmila, P.E.



Carlos M. Utrera, P.E.
Product Control Examiner
NOA No. 24-0104.07
Expiration Date: November 23, 2026
Approval Date: April 4, 2024

NOTICE OF ACCEPTANCE: EVIDENCE SUBMITTED

3. Evidence submitted under NOA #18-1025.04

A. DRAWINGS

1. Drawing No. **RTUNOA**, titled “RTU – NOA 6”, sheets 1 through 6 of 6, dated 10/01/2016, with revision 2 dated 08/31/2018, prepared by CaptiveAire Systems, Inc., signed and sealed by Wayne K. Helmila, P.E. on 12/16/2018.

B. TESTS

1. Test reports on 1) Uniform Static Air Pressure Test, Loading per FBC TAS 202-94
2) Large Missile Impact Test per FBC, TAS 201-94
3) Cyclic Wind Pressure Loading per FBC, TAS 203-94
along with marked-up drawings and installation diagram of Model RTU 4/CASRTU 4 with 20” high curb supply fan, prepared by Intertek, Test Report No. **I2266.01-109-18**, dated 06/01/2018, signed and sealed by Joseph A. Reed, P.E.

C. CALCULATIONS

1. Anchor verification calculations prepared by Rice Engineering, dated 10/03/2018, signed and sealed by Wayne K. Helmila, P.E.

D. QUALITY ASSURANCE

1. Miami-Dade Department of Regulatory and Economic Resources (RER)

E. MATERIAL CERTIFICATIONS

1. None.

F. STATEMENTS

1. Statement letter of code conformance to 6th edition (2017) FBC, issued by Rice Engineering, dated 12/14/2018, signed and sealed by Wayne K. Helmila, P.E.



Carlos M. Utrera, P.E.
Product Control Examiner
NOA No. 24-0104.07
Expiration Date: November 23, 2026
Approval Date: April 4, 2024

NOTICE OF ACCEPTANCE: EVIDENCE SUBMITTED

4. Evidence submitted under NOA # 19-0717.07

A. DRAWINGS

1. Drawing No. **RTUNOA**, titled “RTU – NOA 6”, sheets 1 through 7 of 7, dated 03/26/2019, prepared by CaptiveAire Systems, Inc., signed and sealed by Wayne K. Helmila, P.E. on 06/06/2019.

B. TESTS

1. None.

C. CALCULATIONS

1. None.

D. QUALITY ASSURANCE

1. Miami-Dade Department of Regulatory and Economic Resources (RER)

E. MATERIAL CERTIFICATIONS

1. None.

F. STATEMENTS

1. None.



Carlos M. Utrera, P.E.
Product Control Examiner
NOA No. 24-0104.07
Expiration Date: November 23, 2026
Approval Date: April 4, 2024

NOTICE OF ACCEPTANCE: EVIDENCE SUBMITTED

5. Evidence submitted under NOA # 21-0318.06 and new

A. DRAWINGS

1. Drawing No. **RTUNOA**, titled “RTU – NOA 6”, sheets 1 through 7 of 7, dated 11/27/2017, with revision 5 dated 07/14/2023, prepared by CaptiveAire Systems, Inc., signed and sealed by Wayne K. Helmila, P.E. on 03/07/2024.

B. TESTS “Submitted under NOA # 21-0318.06”

1. Test reports on 1) Uniform Static Air Pressure Test, Loading per FBC TAS 202-94
2) Large Missile Impact Test per FBC, TAS 201-94
3) Cyclic Wind Pressure Loading per FBC, TAS 203-94
along with marked-up drawings and installation diagram of Model RTU 1 with 20” high curb supply fan, prepared by Intertek, Test Report No. **K9774.01-109-18**, dated 07/13/2020, signed and sealed by Daniel C. Culbert, P.E.

C. CALCULATIONS “Submitted under NOA # 21-0318.06”

1. Roof mounted fan anchor verification calculations prepared by Rice Engineering, dated 10/12/2020, with revision 01 dated 03/04/2021, signed and sealed by Wayne K. Helmila, P.E.

D. QUALITY ASSURANCE

1. Miami-Dade Department of Regulatory and Economic Resources (RER).

E. MATERIAL CERTIFICATIONS

1. None.

F. STATEMENTS

1. Statement letter of code conformance to the 8th edition (2023) of the FBC, issued by Rice Engineering, dated 11/14/2023, signed and sealed by Wayne K. Helmila, P.E.

“Submitted under NOA # 21-0318.06”

2. Statement letter of code conformance to the 7th edition (2020) of the FBC, issued by Rice Engineering, dated 03/04/2021, signed and sealed by Wayne K. Helmila, P.E.




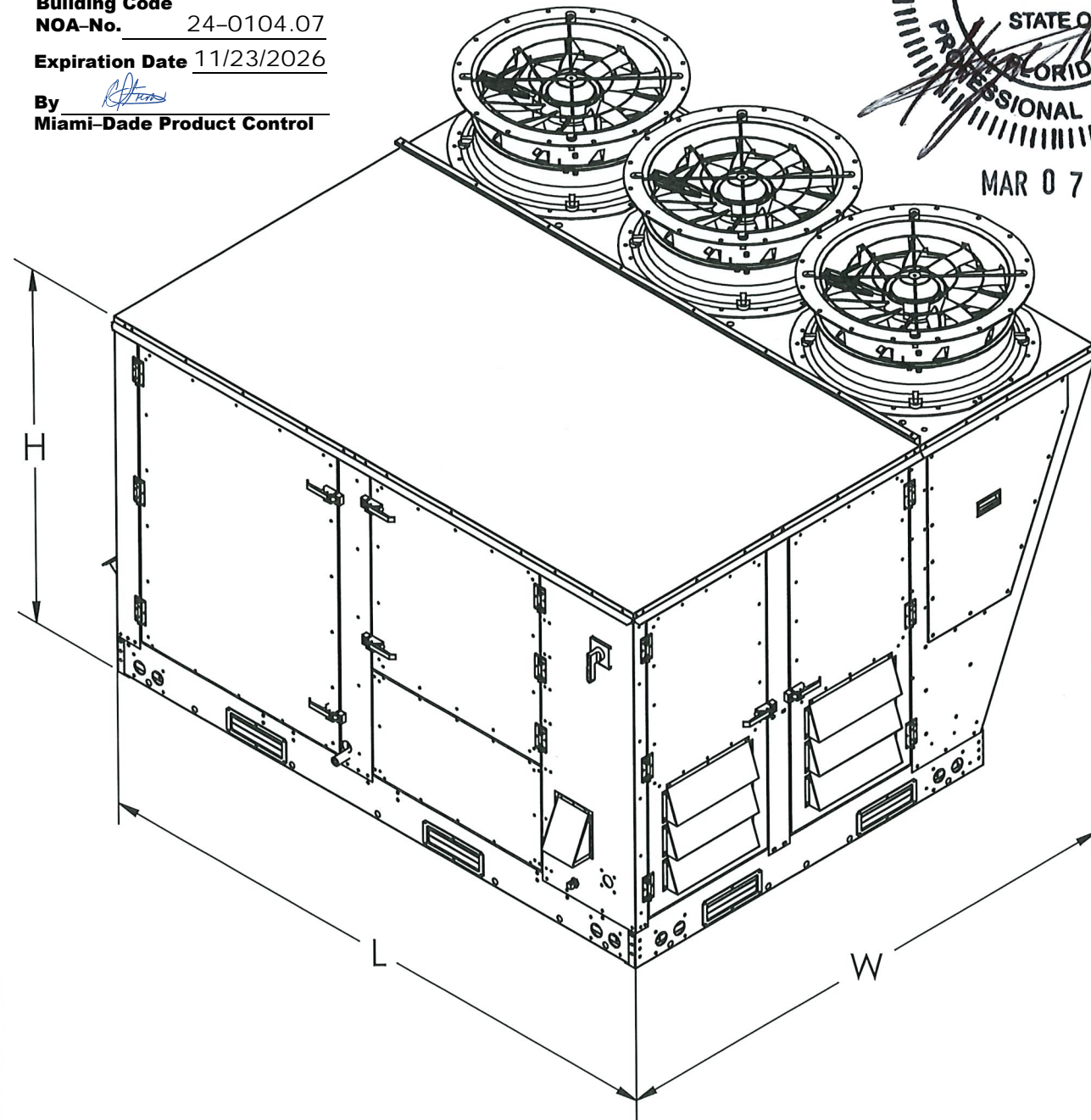
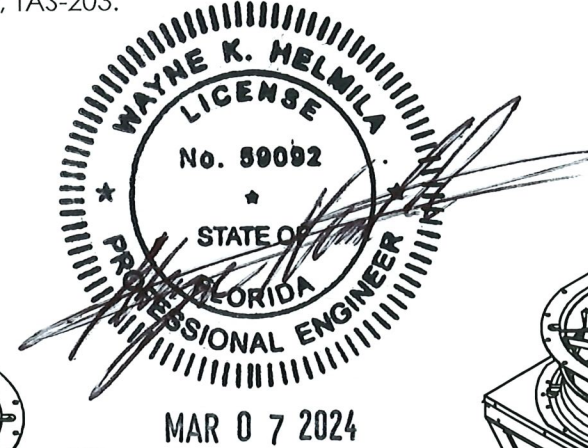
Carlos M. Utrera, P.E.
Product Control Examiner
NOA No. 24-0104.07
Expiration Date: November 23, 2026
Approval Date: April 4, 2024

DIMENSIONAL DATA - ROOFTOP UNIT

General Notes:

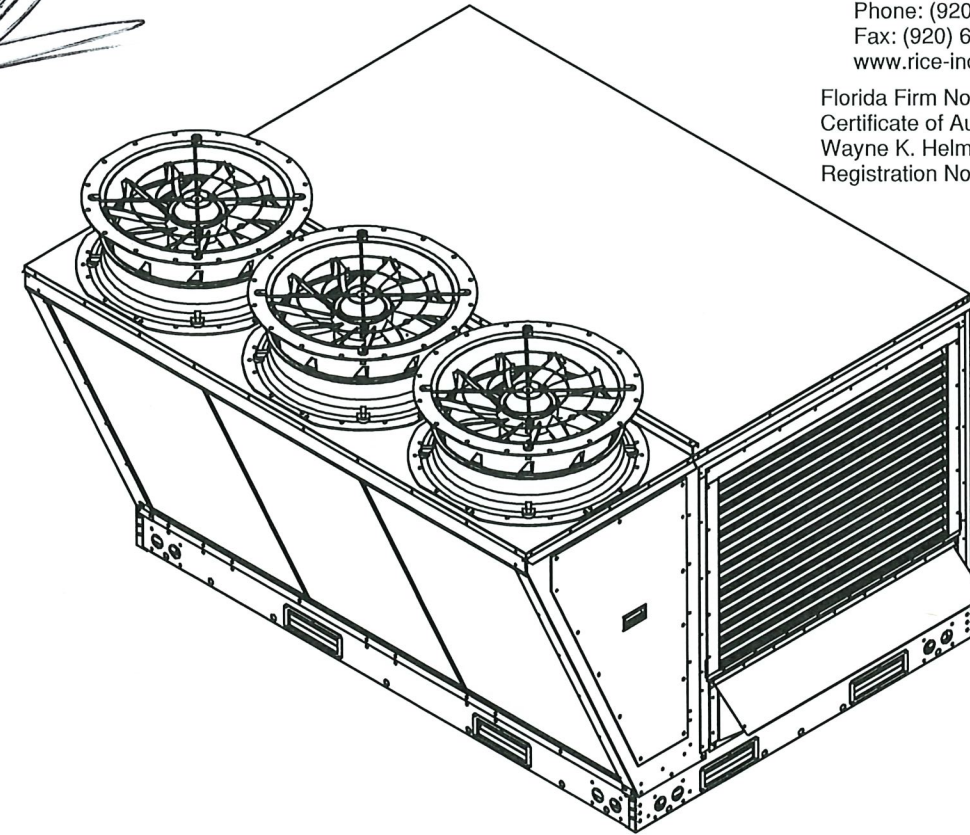
1. This approval is for structural capacity and impact rating of the exterior housing only; it does not include any interior mechanism or electrical part.
2. These fans have not been wind tested for Wind Driven Rain Test per Florida Building code, TAS100 (A)-95.
3. Tested in accordance to Florida Code test protocol TAS-201, TAS-202, TAS-203.
4. Tested for areas including high velocity hurricane zones.
5. Tested under Miami-Dade Notification No. ATI 15071 & ATI 18013.

PRODUCT REVISED
 as complying with the Florida
 Building Code
 NOA-No. 24-0104.07
 Expiration Date 11/23/2026
 By 
 Miami-Dade Product Control



Revision History				
#	Description	Revised by	ECN#	Date
1	FBC 2017 /Cracked Concrete Calcs	MAP	2997	11/27/17
2	Size 4 Update	MAP	2919	8/31/18
3	Added Alternate Brands to Drawings	JJH	3061	3/26/19
4	Size 1 Update	DAM	2920	9/8/20
5	Updated Brand + Added Multiple Brands	CAG	3189	7/14/23

RICE
 ENGINEERING
 105 School Creek Trail
 Luxemburg, WI 54217
 Phone: (920) 617-1042
 Fax: (920) 617-1100
 www.rice-inc.com
 Florida Firm No: F-01000005061
 Certificate of Authorization: #9090
 Wayne K. Helmila
 Registration No: 59092



RTU MODEL	L (IN)	W (IN)	H (IN)	WEIGHT (LBS)
CAS-HVAC1	77 1/4	63 1/4	45 3/4	1100
CAS-HVAC2	81 3/4	80 3/4	48 1/2	1650
CAS-HVAC3	99	89 3/4	56 3/4	2400
CAS-HVAC4	158	89 3/4	73	4500

SEE PAGES 7-10 FOR ALTERNATE BRANDS

DESIGN PRESSURE: +150.0/ -150.0 PSF
 LARGE MISSILE IMPACT RESISTANT

CaptiveAire, Inc. commercial kitchen ventilation
 4641 Paragon Park Road, Raleigh, NC 27616
 P 800.334.9256 | F 919.227.5994

Material: N/A	Part Number: N/A	Unless Otherwise Specified Dimensions are in Inches. Standard Tolerances are: Fractions: ±1/16 Decimal: .XX±.05 .XXX±.015 Angles: ±1°
Blank Size: N/A x N/A	MACOLA/AX Number: N/A	
Weight: N/A lbs	Drawing Name: RTU - NOA 6	
	Drawn By: PEM	
	Drawing Number: RTUNOA-1	
	Sheet: 1 of 7	



DIMENSIONAL DATA - ROOFTOP UNIT

Notes:

- Secure CASRTU base to curb using 5/16"-18 X 2" zinc plated steel self drilling screws (ELCO DRIL-FLEX or better) through pre-punched holes in the support rails. Use table A on pages 4-6 for fastener QTY.
- Secure curb to roof by drilling 1/4" Dia. pilot holes in the curb flange at locations shown in the diagram. See pages 4-6 for fastener type. Use table B for fastener QTY.

PRODUCT REVISED
as complying with the Florida
Building Code

NOA-No. 24-0104.07

Expiration Date 11/23/2026

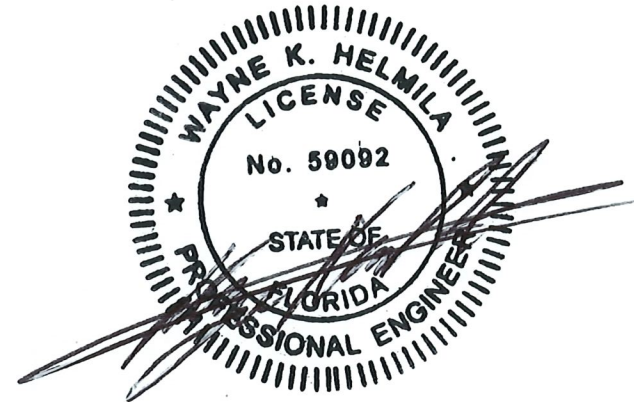
By 
Miami-Dade Product Control

Revision History				
#	Description	Revised by	ECN#	Date
1	FBC 2017 /Cracked Concrete Calcs	MAP	2997	11/27/17
2	Size 4 Update	MAP	2919	8/31/18
3	Added Alternate Brands to Drawings	JJH	3061	3/26/19
4	Size 1 Update	DAM	2920	9/8/20
5	Updated Brand + Added Multiple Brands	CAG	3189	7/14/23

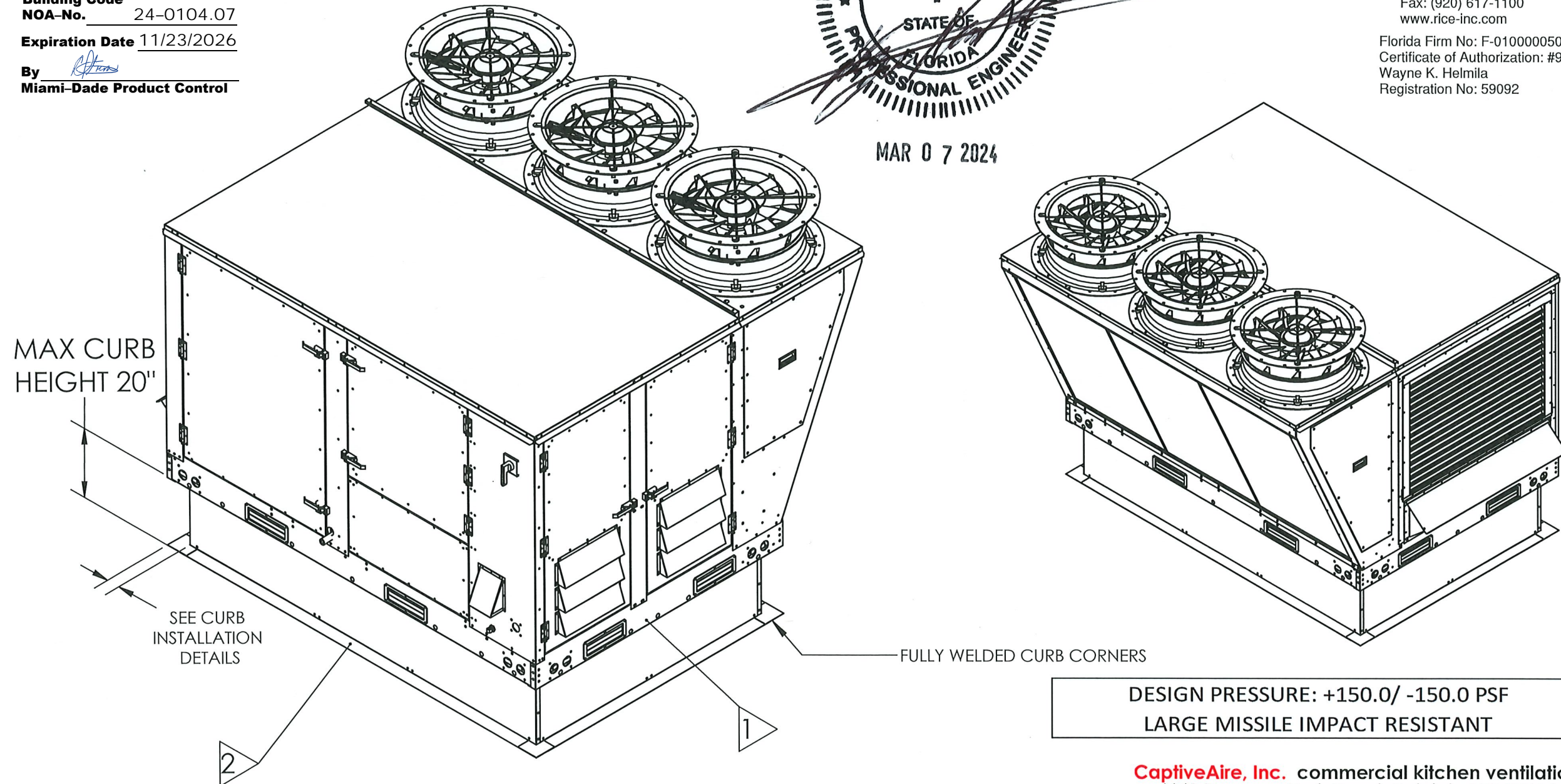
RICE
ENGINEERING

105 School Creek Trail
Luxemburg, WI 54217
Phone: (920) 617-1042
Fax: (920) 617-1100
www.rice-inc.com

Florida Firm No: F-0100005061
Certificate of Authorization: #9090
Wayne K. Helmila
Registration No: 59092



MAR 07 2024



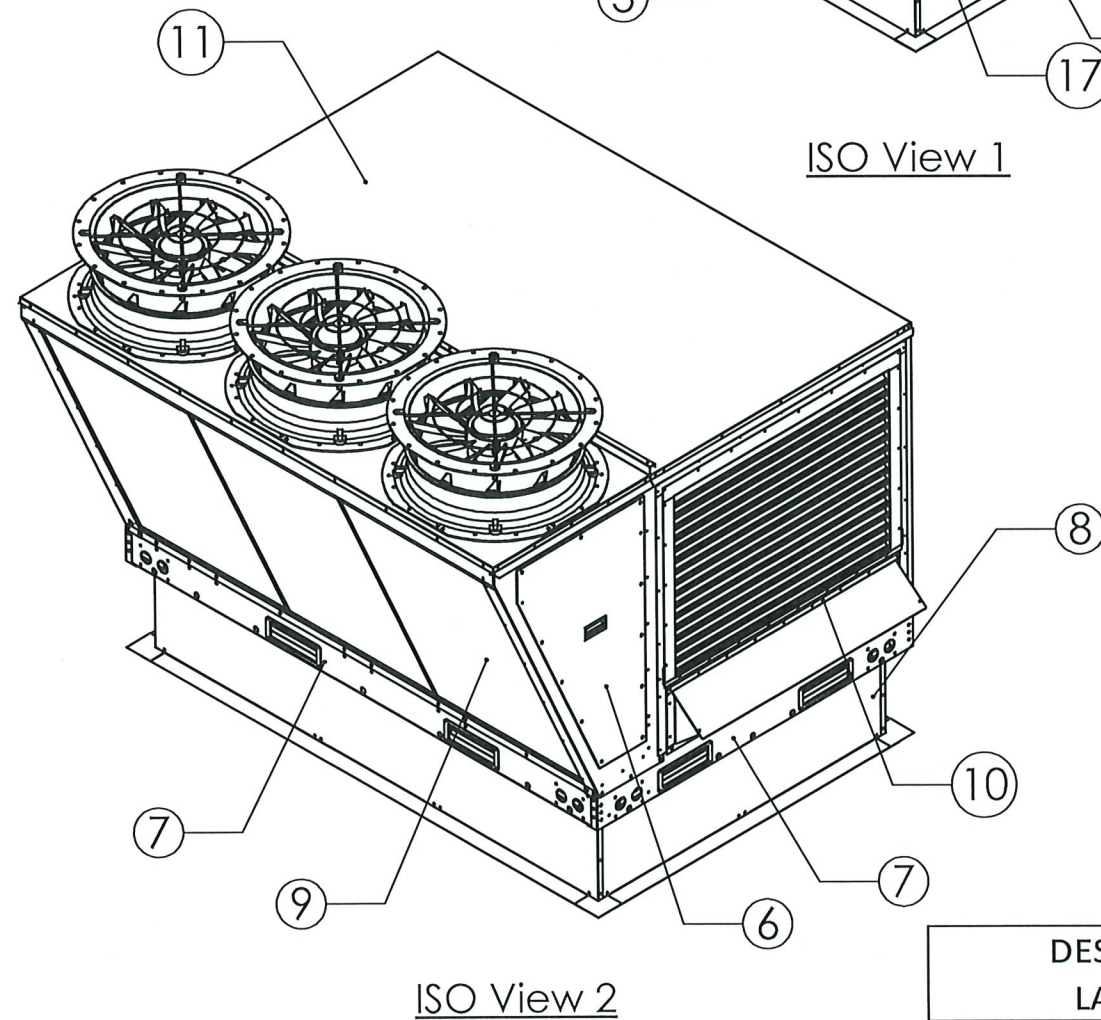
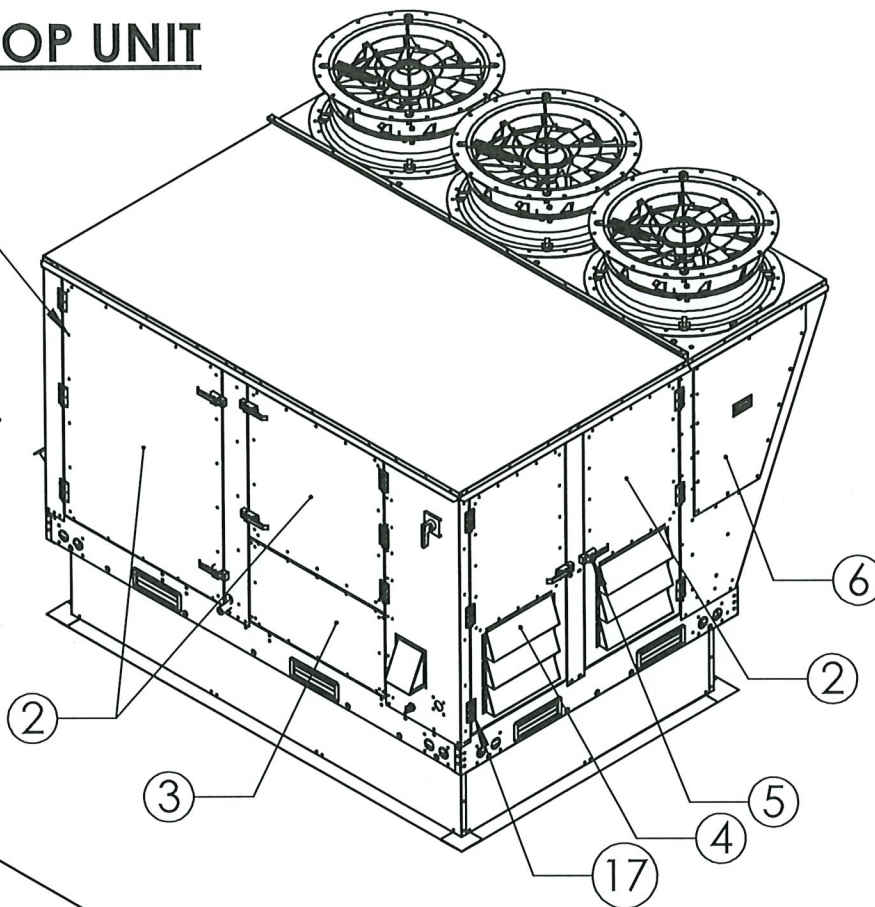
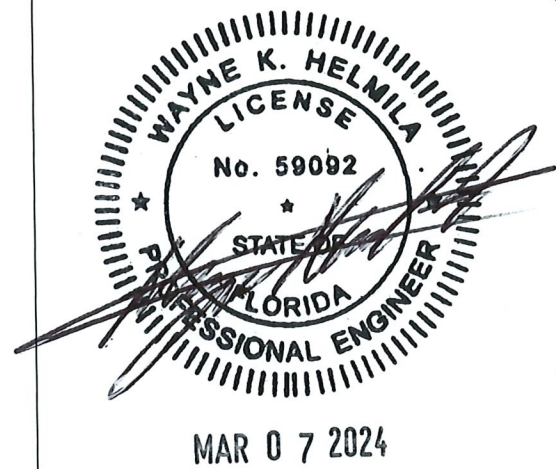
DESIGN PRESSURE: +150.0/ -150.0 PSF
LARGE MISSILE IMPACT RESISTANT

CaptiveAire, Inc. commercial kitchen ventilation
4641 Paragon Park Road, Raleigh, NC 27616
P 800.334.9256 | F 919.227.5994

Material: N/A	Part Number: N/A	Unless Otherwise Specified Dimensions are in Inches. Standard Tolerances are: Fractions: ±1/16 Decimal: .XX±.05 .XXX±.015 Angles: ±1°
Blank Size: N/A x N/A	MACOLA/AX Number: N/A	
Weight: N/A lbs	Drawing Name: RTU - NOA 6	
	Drawn By: PEM	
	Drawing Number: RTUNOA-2	
	Sheet: 2 of 7	



MATERIALS - ROOFTOP UNIT



ISO View 1

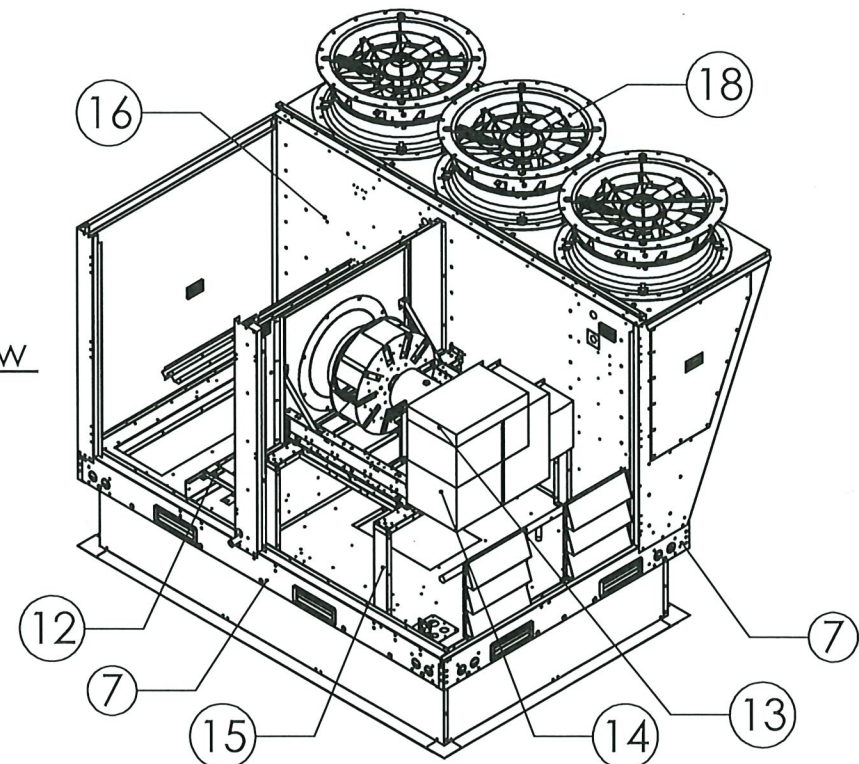
ISO View 2

Revision History				
#	Description	Revised by	ECN#	Date
1	FBC 2017 /Cracked Concrete Calcs	MAP	2997	11/27/17
2	Size 4 Update	MAP	2919	8/31/18
3	Added Alternate Brands to Drawings	JJH	3061	3/26/19
4	Size 1 Update	DAM	2920	9/8/20
5	Updated Brand + Added Multiple Brands	CAG	3189	7/14/23

Item Number	Part Description	Size 1 Material	Size 2, 3, 4 Material
1	1/4 x 2"L Hex Screw	Zinc-plated Steel	Zinc-plated Steel
2	Double Lined Outswing Door	24ga Galv. Steel	20ga Galv. Steel
3	Blower Access Panel	24ga Galv. Steel	20ga Galv. Steel
4	Louver Cover	20ga Galv. Steel	20ga Galv. Steel
5	Compression Latch	Stainless Steel	Stainless Steel
6	Condenser Access Panel	18ga Galv. Steel	14ga Galv. Steel
7	Structural Base	18ga Galv. Steel	14ga Galv. Steel
8	Curb (Up to 20" Height)	18ga Aluminized Steel	18ga Aluminized Steel
9	Condensing Coil	Copper/Aluminum	Copper/Aluminum
10	Intake Assembly	Zinc-plated Steel & Aluminum	Zinc-plated Steel & Aluminum
11	Lid	20ga Galv. Steel	20ga Galv. Steel
12	Base	18ga Galv. Steel	20ga Galv. Steel
13	Supply Fan Assembly	14ga Galv. Steel	14ga Galv. Steel
14	Horizontal Support	18ga Galv. Steel	14ga Galv. Steel
15	Vertical Support	18ga Galv. Steel	14ga Galv. Steel
16	Condensing Wall	24ga Galv. Steel	20ga Galv. Steel
17	Hinges	Stainless Steel	Stainless Steel
18	Outdoor Fans	High Performance Composite	High Performance Composite

PRODUCT REVISED
 as complying with the Florida
 Building Code
 NOA-No. 24-0104.07
 Expiration Date 11/23/2026
 By *[Signature]*
 Miami-Dade Product Control

Detail View



RICE ENGINEERING

105 School Creek Trail
 Luxemburg, WI 54217
 Phone: (920) 617-1042
 Fax: (920) 617-1100
 www.rice-inc.com

Florida Firm No: F-01000005061
 Certificate of Authorization: #9091
 Wayne K. Helmila
 Registration No: 59092

DESIGN PRESSURE: +150.0/ -150.0 PSF
 LARGE MISSILE IMPACT RESISTANT

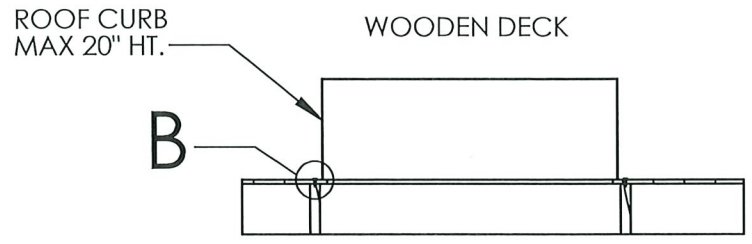
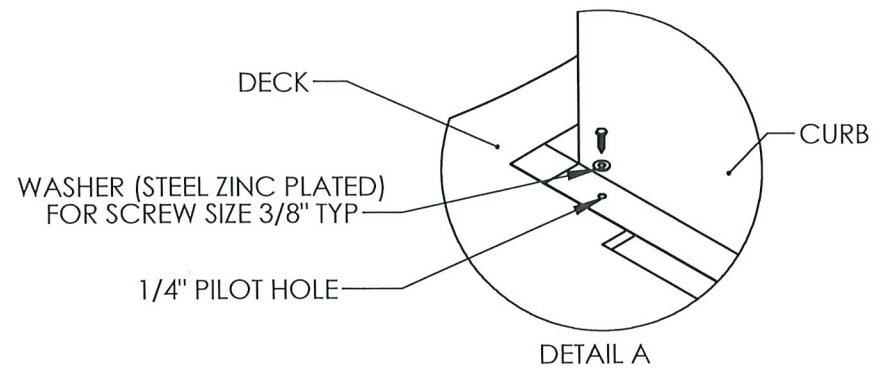
CaptiveAire, Inc. commercial kitchen ventilation
 4641 Paragon Park Road, Raleigh, NC 27616
 P 800.334.9256 | F 919.227.5994

Material: N/A	Part Number: N/A	Unless Otherwise Specified Dimensions are in Inches.
Blank Size: N/A x N/A	MACOLA/AX Number: N/A	
Weight: N/A lbs	Drawing Name: RTU - NOA 6	
	Drawn By: PEM	
	Drawing Number: RTUNOA-3	
	Sheet: 3 of 7	Standard Tolerances are: Fractions: ±1/16 Decimal: .XX±.05 .XXX±.015 Angles: ±1°

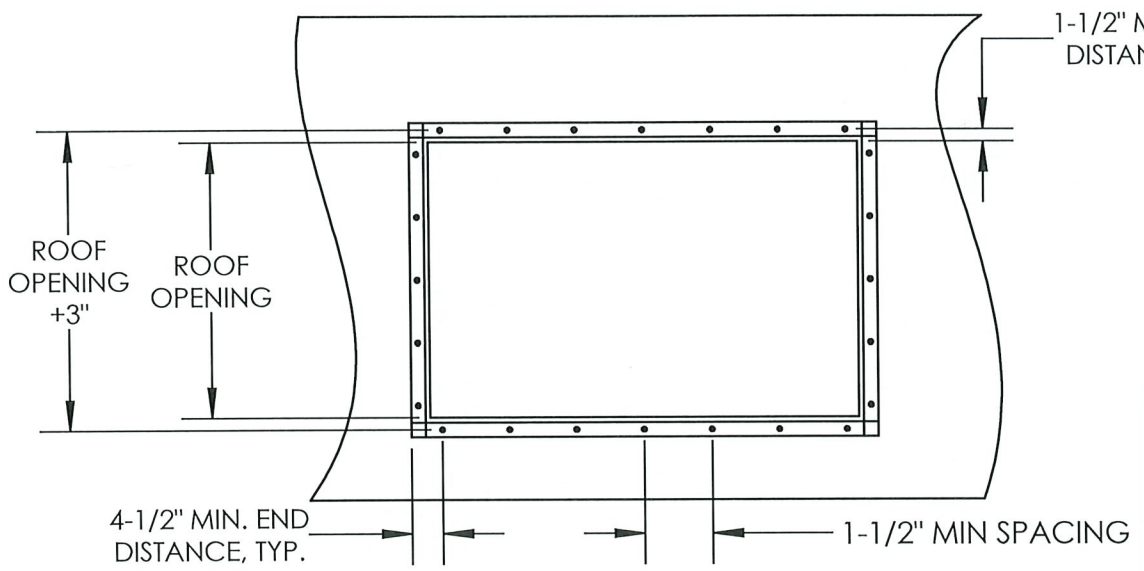
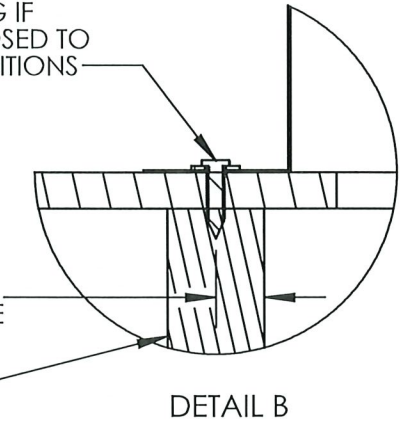


MIAMI-DADE COUNTY - ROOFTOP UNIT CURB INSTALLATION GUIDE FOR WOOD SUBSTRATE

Revision History				
#	Description	Revised by	ECN#	Date
1	FBC 2017 /Cracked Concrete Calcs	MAP	2997	11/27/17
2	Size 4 Update	MAP	2919	8/31/18
3	Added Alternate Brands to Drawings	JJH	3061	3/26/19
4	Size 1 Update	DAM	2920	9/8/20
5	Updated Brand + Added Multiple Brands	CAG	3189	7/14/23



HEX-HEAD LAG SCREW
(STEEL ZINC PLATED)
3/8" X 2-1/2" OR LONGER
SEE CHART FOR QTY
SEAL WITH PROSOCO
LIQUID FLASHING IF
FASTENERS EXPOSED TO
EXTERIOR CONDITIONS

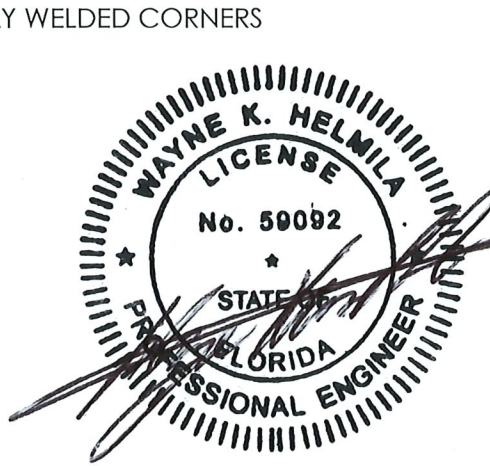
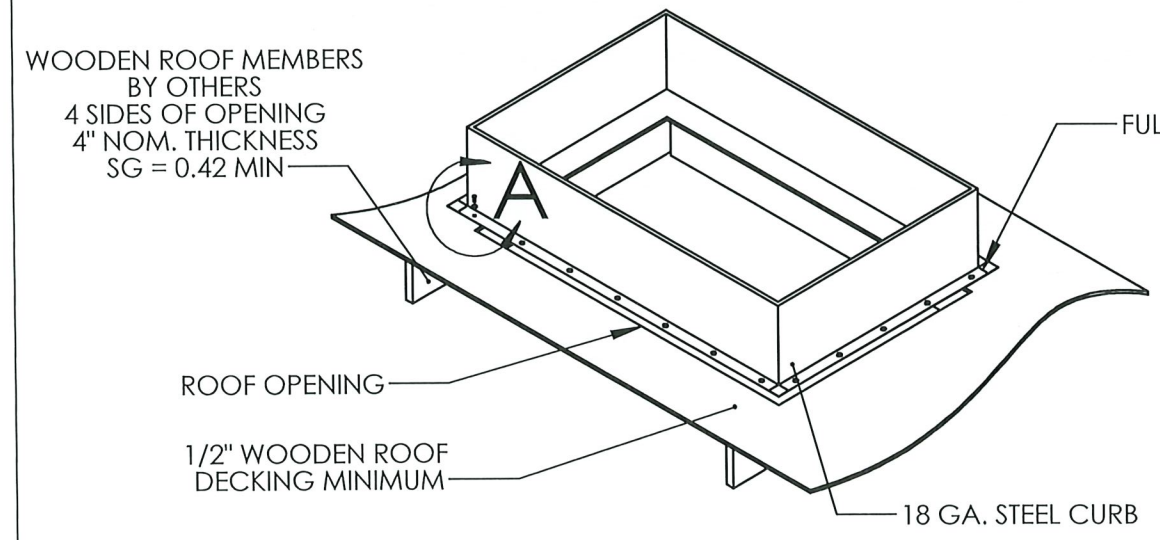


WOODEN ROOF
MEMBERS BY OTHERS
4 SIDES OF OPENING
4" NOM. THICKNESS
SG = 0.42 MIN

Unit Size	Curb Size	Fasteners Quantity		
		Long Side	Short Side	Total
1	71 x 41"	7	4	22
2	75 x 49 1/2"	7	5	24
3	91 x 59 1/2"	7	5	24
4	111 x 80"	13	9	44

WOOD FASTENER		
Long Side Min. Qty.	Short Side Min. Qty.	Total Min. Qty.
12	6	36
14	10	48
14	10	48
22	16	76

SEE PAGES 7-10 FOR ALTERNATE BRANDS



PRODUCT REVISED
as complying with the Florida
Building Code
NOA-No. 24-0104.07
Expiration Date 11/23/2026
By *[Signature]*
Miami-Dade Product Control

RICE
ENGINEERING
105 School Creek Trail
Luxemburg, WI 54217
Phone: (920) 617-1042
Fax: (920) 617-1100
www.rice-inc.com
Florida Firm No: F-01000005061
Certificate of Authorization: #9090
Wayne K. Helmila
Registration No: 59092

DESIGN PRESSURE: +150.0/ -150.0 PSF
LARGE MISSILE IMPACT RESISTANT

- Notes:
1. Tested in accordance to Florida Building Code test protocol TAS-201, TAS-202, TAS-203.
2. Tested for areas including high velocity hurricane zones.

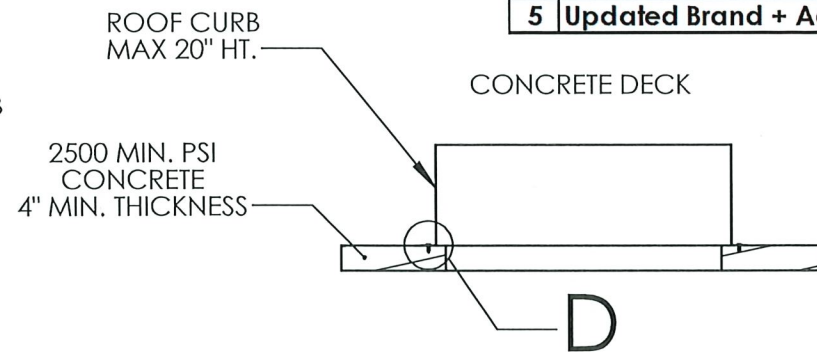
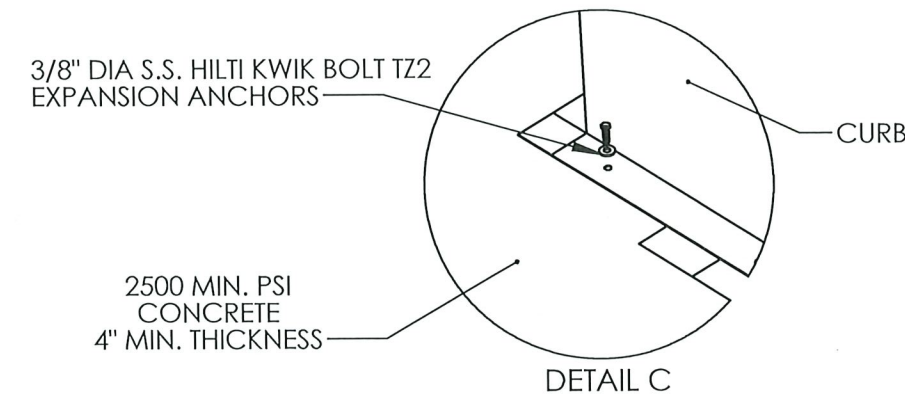
CaptiveAire, Inc. commercial kitchen ventilation
4641 Paragon Park Road, Raleigh, NC 27616
P 800.334.9256 | F 919.227.5994

Material: N/A	Part Number: N/A	Unless Otherwise Specified Dimensions are in Inches. Standard Tolerances are: Fractions: ±1/16 Decimal: .XX±.05 .XXX±.015 Angles: ±1°
Blank Size: N/A x N/A	MACOLA/AX Number: N/A	
Weight: N/A lbs	Drawing Name: RTU - NOA 6	
	Drawn By: PEM	
	Drawing Number: RTUNOA-4	
	Sheet: 4 of 7	

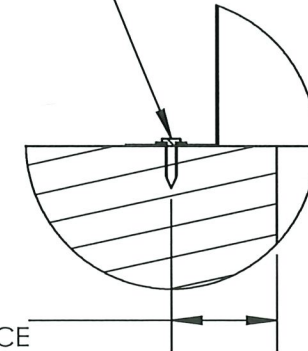


MIAMI-DADE COUNTY - ROOFTOP UNIT CURB INSTALLATION GUIDE FOR CONCRETE SUBSTRATE

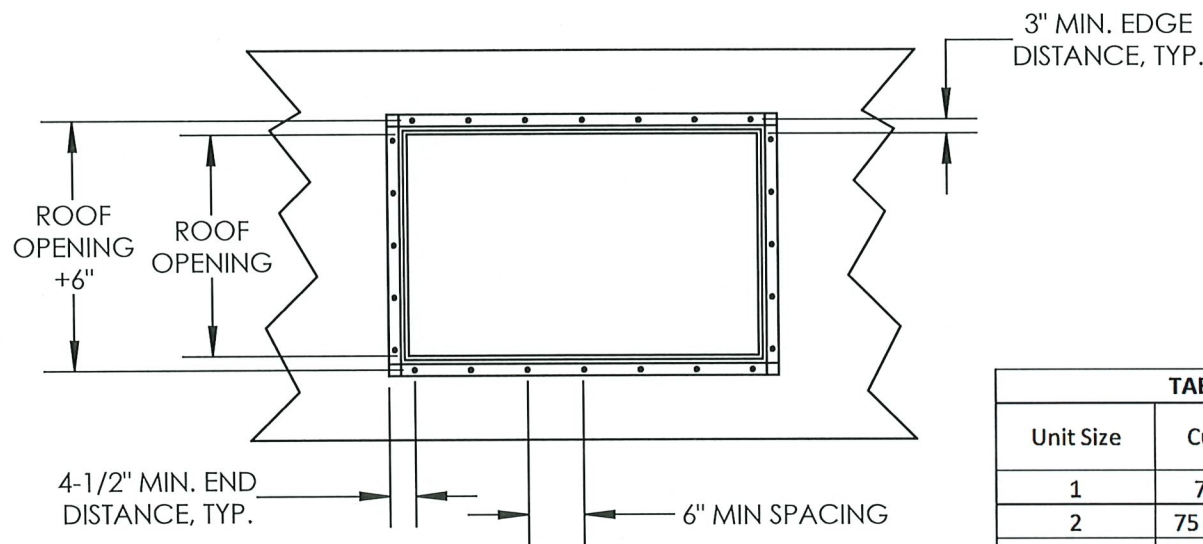
Revision History				
#	Description	Revised by	ECN#	Date
1	FBC 2017 /Cracked Concrete Calcs	MAP	2997	11/27/17
2	Size 4 Update	MAP	2919	8/31/18
3	Added Alternate Brands to Drawings	JJH	3061	3/26/19
4	Size 1 Update	DAM	2920	9/8/20
5	Updated Brand + Added Multiple Brands	CAG	3189	7/14/23



3/8" S.S. HILTI KWIK BOLT TZ2
EXPANSION ANCHORS
(SEE CHART FOR QTY)



DETAIL D



RICE
ENGINEERING

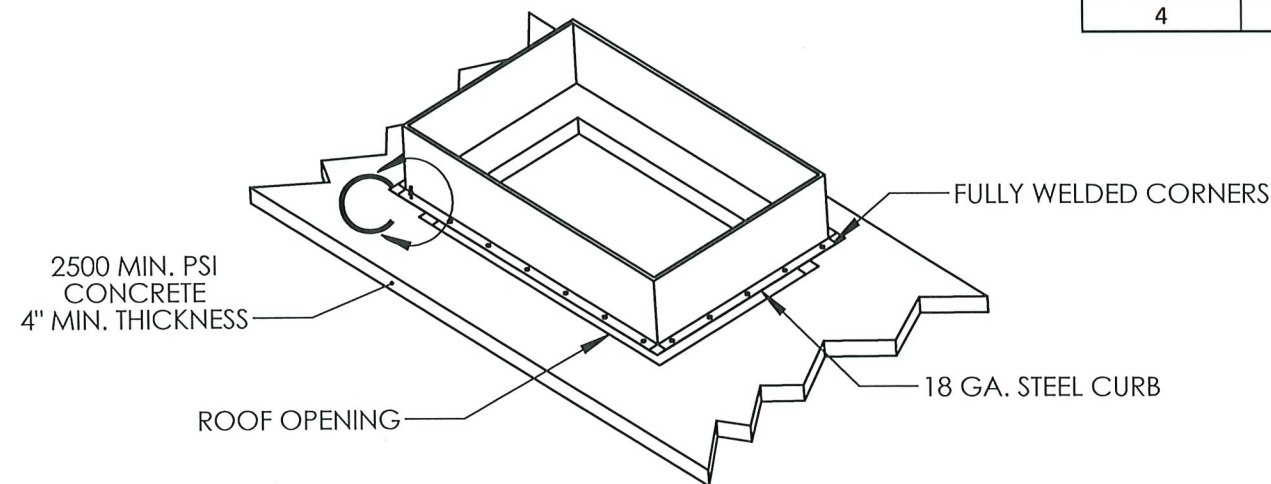
105 School Creek Trail
Luxemburg, WI 54217
Phone: (920) 617-1042
Fax: (920) 617-1100
www.rice-inc.com

Florida Firm No: F-01000005061
Certificate of Authorization: #9090
Wayne K. Helmila
Registration No: 59092

Unit Size	Curb Size	Fasteners Quantity		
		Long Side	Short Side	Total
1	71 x 41"	7	4	22
2	75 x 49 1/2"	7	5	24
3	91 x 59 1/2"	7	5	24
4	111 x 80"	13	9	44

CONCRETE FASTENER			
Long Side Min. Qty.	Short Side Min. Qty.	Total Min. Qty.	Min. Emb.
12	6	36	2-1/2"
12	9	42	2-1/2"
12	9	42	2-1/2"
22	15	74	3"

SEE PAGES 7-10 FOR ALTERNATE BRANDS



DESIGN PRESSURE: +150.0/ -150.0 PSF
LARGE MISSILE IMPACT RESISTANT



PRODUCT REVISED
as complying with the Florida
Building Code

NOA-No. 24-0104.07

Expiration Date 11/23/2026

By *[Signature]*
Miami-Dade Product Control

Notes:

1. Tested in accordance to Florida Building Code test protocol TAS-201, TAS-202, TAS-203.
2. Tested for areas including high velocity hurricane zones.

MAR 07 2024

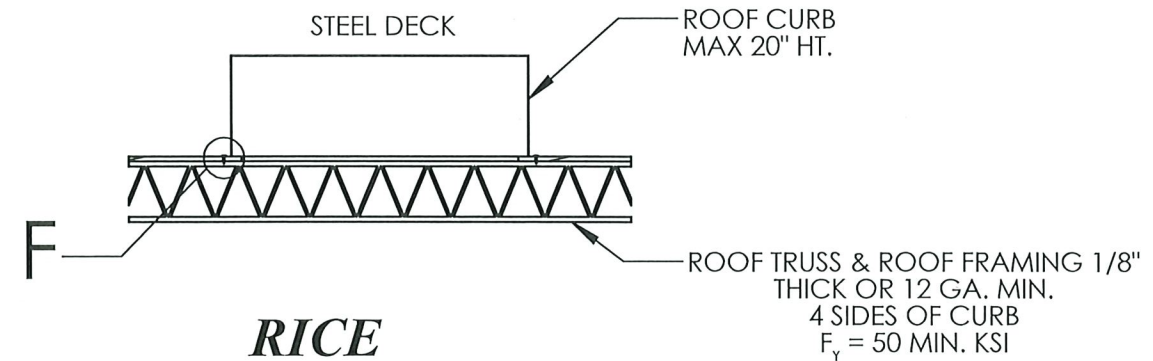
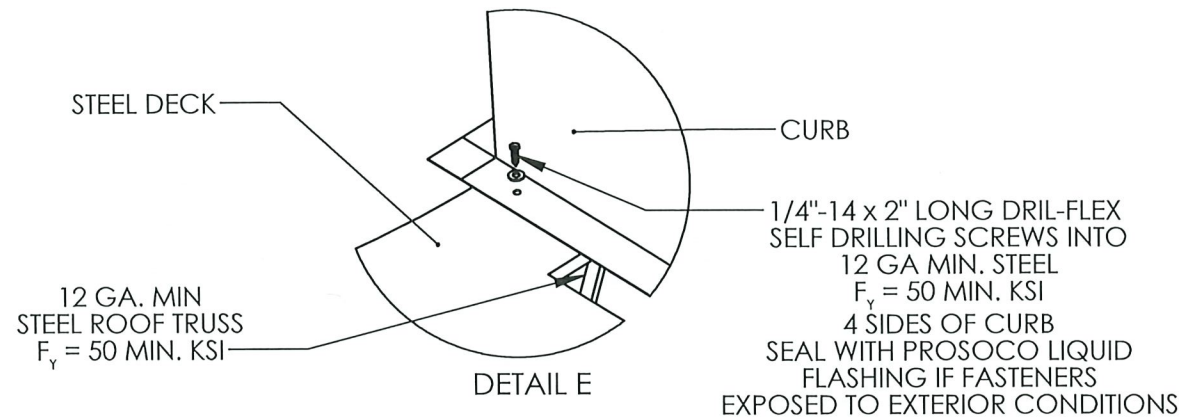
CaptiveAire, Inc. commercial kitchen ventilation
4641 Paragon Park Road, Raleigh, NC 27616
P 800.334.9256 | F 919.227.5994

Material: N/A	Part Number: N/A	Unless Otherwise Specified Dimensions are in Inches. Standard Tolerances are: Fractions: ±1/16 Decimal: .XX±.05 .XXX±.015 Angles: ±1°
Blank Size: N/A x N/A	MACOLA/AX Number: N/A	
Weight: N/A lbs	Drawing Name: RTU - NOA 6	
	Drawn By: PEM	
	Drawing Number: RTUNOA-5	
	Sheet: 5 of 7	



MIAMI-DADE COUNTY - ROOFTOP UNIV CURB INSTALLATION GUIDE FOR STEEL SUBSTRATE

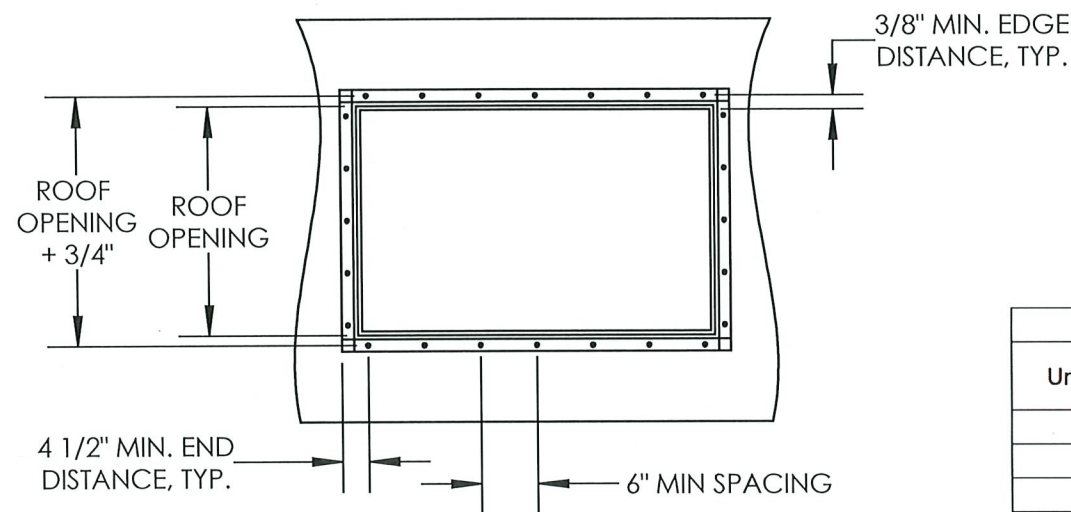
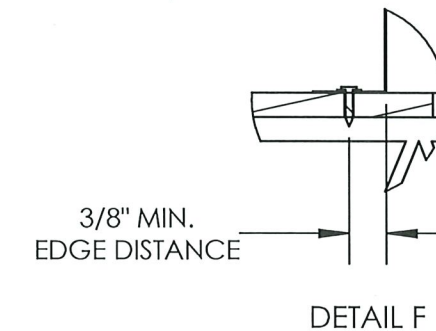
Revision History				
#	Description	Revised by	ECN#	Date
1	FBC 2017 /Cracked Concrete Calcs	MAP	2997	11/27/17
2	Size 4 Update	MAP	2919	8/31/18
3	Added Alternate Brands to Drawings	JJH	3061	3/26/19
4	Size 1 Update	DAM	2920	9/8/20
5	Updated Brand + Added Multiple Brands	CAG	3189	7/14/23



RICE
ENGINEERING

105 School Creek Trail
Luxemburg, WI 54217
Phone: (920) 617-1042
Fax: (920) 617-1100
www.rice-inc.com

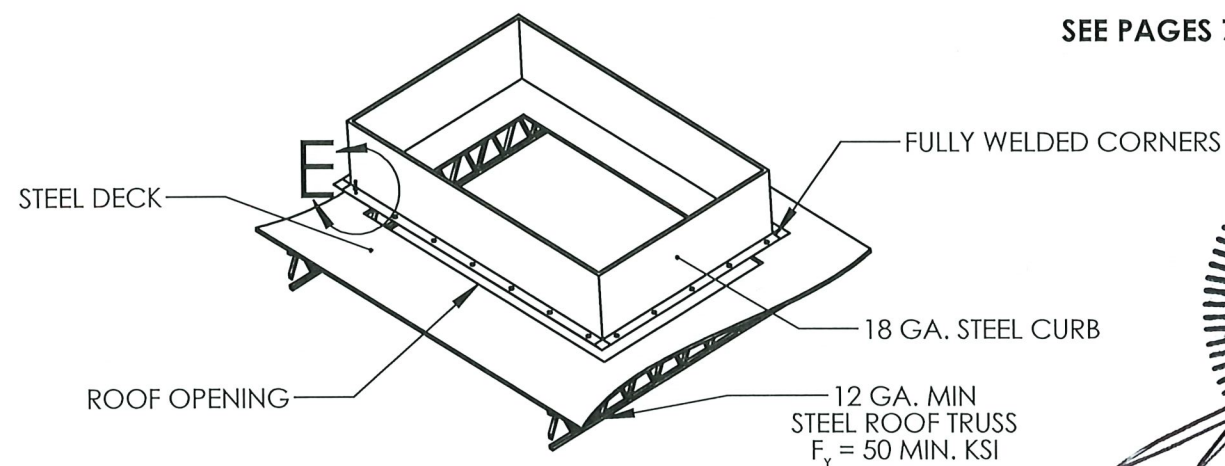
Florida Firm No: F-01000005061
Certificate of Authorization: #9090
Wayne K. Helmila
Registration No: 59092



Unit Size	Curb Size	Fastener Quantity		
		Long Side	Short Side	Total
1	71 x 41"	7	4	22
2	75 x 49 1/2"	7	5	24
3	91 x 59 1/2"	7	5	24
4	111 x 80"	13	9	44

STEEL FASTENER		
Long Side Min. Qty.	Short Side Min. Qty.	Total Min. Qty.
15	7	44
12	8	40
12	8	40
21	14	70

SEE PAGES 7-10 FOR ALTERNATE BRANDS



DESIGN PRESSURE: +150.0/ -150.0 PSF
LARGE MISSILE IMPACT RESISTANT

PRODUCT REVISED
as complying with the Florida
Building Code
NOA-No. 24-0104.07
Expiration Date 11/23/2026
By *[Signature]*
Miami-Dade Product Control



MAR 07 2024

CaptiveAire, Inc. commercial kitchen ventilation
4641 Paragon Park Road, Raleigh, NC 27616
P 800.334.9256 | F 919.227.5994

- Notes:
1. Tested in accordance to Florida Building Code test protocol TAS-201, TAS-202, TAS-203.
 2. Tested for areas including high velocity hurricane zones.

Material: N/A	Part Number: N/A	Unless Otherwise Specified Dimensions are in Inches. Standard Tolerances are: Fractions: ±1/16 Decimal: .XX±.05 .XXX±.015 Angles: ±1°
Blank Size: N/A x N/A	MACOLA/AX Number: N/A	
Weight: N/A lbs	Drawing Name: RTU - NOA 6	
	Drawn By: PEM	
	Drawing Number: RTUNOA-6	
	Sheet: 6 of 7	



ALTERNATE BRANDS

Revision History				
#	Description	Revised by	ECN#	Date
1	FBC 2017 /Cracked Concrete Calcs	MAP	2997	11/27/17
2	Size 4 Update	MAP	2919	8/31/18
3	Added Alternate Brands to Drawings	JJH	3061	3/26/19
4	Size 1 Update	DAM	2920	9/8/20
5	Updated Brand + Added Multiple Brands	CAG	3189	7/14/23

ROOFTOP UNIT
CAS FAN MODEL
CAS-HVAC1
CAS-HVAC2
CAS-HVAC3
CAS-HVAC4

RICE

ENGINEERING

105 School Creek Trail
Luxemburg, WI 54217
Phone: (920) 617-1042
Fax: (920) 617-1100
www.rice-inc.com

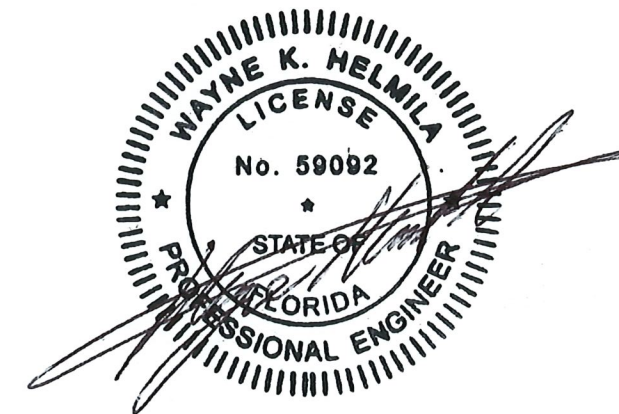
Florida Firm No: F-01000005061
Certificate of Authorization: #9092
Wayne K. Helmila
Registration No: 59092

PRODUCT REVISED
as complying with the Florida
Building Code

NOA-No. 24-0104.07

Expiration Date 11/23/2026

By 
Miami-Dade Product Control



MAR 07 2024

NOTE: THE DETAILED UNITS CAN BE LISTED UNDER THE FOLLOWING ALTERNATE BRANDS: ADVANCED HOOD SYSTEMS (AHRTU), AEROLATOR (ARRTU), AQUAMTIC (AMRTU), ECON AIR (EARTU), FLOAIRE (RTUFA), GREASEMASTER (GMRTU), K-TECH (KTRTU), LDI (LRTU), RUPP AIR (RARTU), STRATOVENT (SVRTU), SUNAIR (SARTU), THERMOTEK (TTRTU), AND VENTILATION DIRECT (VXRTU).

CaptiveAire, Inc. commercial kitchen ventilation
4641 Paragon Park Road, Raleigh, NC 27616
P 800.334.9256 | F 919.227.5994

Material: N/A	Part Number: N/A	Unless Otherwise Specified Dimensions are in Inches. Standard Tolerances are: Fractions: ±1/16 Decimal: .XX±.05 .XXX±.015 Angles: ±1°
Blank Size: N/A x N/A	MACOLA/AX Number: N/A	
Weight: N/A lbs	Drawing Name: RTU - NOA 7	
	Drawn By: CAG	
	Drawing Number: RTUNOA-7	
	Sheet: 7 of 7	

