



DEPARTMENT OF REGULATORY AND ECONOMIC RESOURCES (RER)
BOARD AND CODE ADMINISTRATION DIVISION

MIAMI-DADE COUNTY
PRODUCT CONTROL SECTION
11805 SW 26 Street, Room 208
Miami, Florida 33175-2474
T (786) 315-2590 F (786) 315-2599

www.miamidade.gov/economy

NOTICE OF ACCEPTANCE (NOA)

Nortek Air Solutions, Inc.
4841 North Sewell
Oklahoma City, OK 73118

SCOPE:

This NOA is being issued under the applicable rules and regulations governing the use of construction materials. The documentation submitted has been reviewed and accepted by Miami-Dade County RER- Product Control Section to be used in Miami Dade County and other areas where allowed by the Authority Having Jurisdiction (AHJ).

This NOA shall not be valid after the expiration date stated below. The Miami-Dade County Product Control Section (In Miami Dade County) and/or the AHJ (in areas other than Miami Dade County) reserve the right to have this product or material tested for quality assurance purposes. If this product or material fails to perform in the accepted manner, the manufacturer will incur the expense of such testing and the AHJ may immediately revoke, modify, or suspend the use of such product or material within their jurisdiction. RER reserves the right to revoke this acceptance if it is determined by Miami-Dade County Product Control Section that this product or material fails to meet the requirements of the applicable building code.

This product is approved as described herein and has been designed to comply with the High Velocity Hurricane Zone of the Florida Building Code.

DESCRIPTION: Series "ITF" Air Handling Unit

APPROVAL DOCUMENT: Drawing No. MD-2019.01.07, titled "Series "ITF" Air Handling Unit", sheets 1 through 11 of 11, prepared by Nortek Air Solutions, Inc., dated August 23, 2023, signed and sealed by Robert James Amoruso, P.E., on 08/23/2023, bearing the Miami-Dade County Product Control Renewal stamp with the Notice of Acceptance number and the expiration date by the Miami-Dade County Product Control Section.

MISSILE IMPACT RATING: Large and Small Missile Impact Resistant

LABELING: Each panel shall bear a permanent label with the manufacturer's name or logo, Okarche, OK or Oklahoma City, OK and the following statement: "Miami-Dade County Product Control Approved", unless otherwise noted herein.

RENEWAL of this NOA shall be considered after a renewal application has been filed and there has been no change in the applicable building code negatively affecting the performance of this product.

TERMINATION of this NOA will occur after the expiration date or if there has been a revision or change in the materials, use, and/or manufacture of the product or process. Misuse of this NOA as an endorsement of any product, for sales, advertising or any other purposes shall automatically terminate this NOA. Failure to comply with any section of this NOA shall be cause for termination and removal of NOA.

ADVERTISEMENT: The NOA number preceded by the words Miami-Dade County, Florida, and followed by the expiration date may be displayed in advertising literature. If any portion of the NOA is displayed, then it shall be done in its entirety.

INSPECTION: A copy of this entire NOA shall be provided to the user by the manufacturer or its distributors and shall be available for inspection at the job site at the request of the Building Official.

This NOA **renews NOA #23-0901.17** and consists of this page 1, evidence submitted pages E-1, E-2 and E-3 as well as approval document mentioned above.

The submitted documentation was reviewed by **Helmy A. Makar, P.E., M.S.**



Helmy A. Makar
04/18/24

NOA No. 24-0109.01
Expiration Date: 04/25/2029
Approval Date: 04/18/2024

NOTICE OF ACCEPTANCE: EVIDENCE SUBMITTED

1. EVIDENCE SUBMITTED UNDER PREVIOUS APPROVAL #19-0227.05

A. DRAWINGS

1. *Drawing titled "Series "ITF" Air Handling Unit", sheets 1 through 11 of 11, prepared by Nortek Air Solutions, Inc., dated Feb. 13, 2019, signed and sealed by Robert James Amoruso, P.E., on Feb. 21, 2019.*

B. TESTS

1. *Test report on Large Missile Impact Test per TAS-201, Cyclic Wind Pressure Test per TAS-203 and Uniform Static Air Pressure Test per TAS-202 of Series ITF Air Handling Unit, prepared by NCTL, Report No. NCTL-210-4132-01, dated 02/01/2019, signed and sealed by Douglas J. McDougall, P.E.*

C. CALCULATIONS

1. *Anchoring of base to building or this structure is not part of this approval and is the responsibility of the Architect or Engineer of Record.*

D. QUALITY ASSURANCE

1. *By Miami-Dade County Department of Regulatory and Economic Resources.*

E. MATERIAL CERTIFICATIONS

1. *None.*

F. STATEMENTS

1. *FBC, 2017 Edition Compliance letter prepared by Robert James Amoruso, P.E., dated February 21, 2019, signed and sealed by Robert James Amoruso, P.E.*

2. EVIDENCE SUBMITTED UNDER PREVIOUS APPROVAL #20-0213.06

A. DRAWINGS

1. *Drawing titled "Series "ITF" Air Handling Unit", sheets 1 through 11 of 11, prepared by Nortek Air Solutions, Inc., dated Feb. 12, 2020, signed and sealed by Robert James Amoruso, P.E., on Feb. 12, 2020.*

B. TESTS

1. *None.*

C. CALCULATIONS

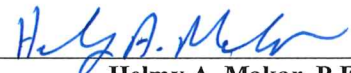
1. *None.*

D. QUALITY ASSURANCE

1. *By Miami-Dade County Department of Regulatory and Economic Resources.*

F. MATERIAL CERTIFICATIONS

1. *None.*



Helmy A. Makar, P.E., M.S.
Product Control Section Supervisor
NOA No. 24-0109.01
Expiration Date: 04/25/2029
Approval Date: 04/18/2024

NOTICE OF ACCEPTANCE: EVIDENCE SUBMITTED

3. EVIDENCE SUBMITTED UNDER PREVIOUS APPROVAL #21-0521.05

A. DRAWINGS

1. *Drawing No. MD-2019.01.07, titled "Series "ITF" Air Handling Unit", sheets 1 through 11 of 11, prepared by Nortek Air Solutions, Inc., dated May 15, 2021, signed and sealed by Robert James Amoruso, P.E., on May 15, 2021.*

B. TESTS

1. *None.*

C. CALCULATIONS

1. *None.*

D. QUALITY ASSURANCE

1. *By Miami-Dade County Department of Regulatory and Economic Resources.*

E. MATERIAL CERTIFICATIONS

1. *None.*

F. STATEMENTS

1. *FBC, 2020 Edition Compliance letter prepared by Robert James Amoruso, P.E., dated May 15, 2021, signed and sealed by Robert James Amoruso, P.E.*

4. EVIDENCE SUBMITTED UNDER PREVIOUS APPROVAL #23-0901.17

A. DRAWINGS

1. *Drawing No. MD-2019.01.07, titled "Series "ITF" Air Handling Unit", sheets 1 through 11 of 11, prepared by Nortek Air Solutions, Inc., dated August 23, 2023, signed and sealed by Robert James Amoruso, P.E., on 08/23/2023.*

B. TESTS

1. *None.*

C. CALCULATIONS

1. *None.*

D. QUALITY ASSURANCE

1. *By Miami-Dade County Department of Regulatory and Economic Resources.*

E. MATERIAL CERTIFICATIONS

1. *None.*

F. STATEMENTS

1. *FBC, 2023 Edition Compliance letter prepared by Robert James Amoruso, P.E., dated August 23, 2023, signed and sealed by Robert James Amoruso, P.E.*



Helmy A. Makar, P.E., M.S.
Product Control Section Supervisor
NOA No. 24-0109.01
Expiration Date: 04/25/2029
Approval Date: 04/18/2024

Nortek Air Solutions, Inc.

NOTICE OF ACCEPTANCE: EVIDENCE SUBMITTED

5. NEW EVIDENCE SUBMITTED

A. DRAWINGS

1. *None.*

B. TESTS

1. *None.*

C. CALCULATIONS

1. *None.*

D. QUALITY ASSURANCE

1. *By Miami-Dade County Department of Regulatory and Economic Resources.*

E. MATERIAL CERTIFICATIONS

1. *None.*

F. STATEMENTS

2. *FBC, 2023 Edition Compliance letter prepared by Robert James Amoruso, P.E., dated August 23, 2023, signed and sealed by Robert James Amoruso, P.E.*



Helmy A. Makar, P.E., M.S.
Product Control Section Supervisor

NOA No. 24-0109.01

Expiration Date: 04/25/2029

Approval Date: 04/18/2024

REVISIONS			
REV. LEVEL	DESCRIPTION	BY	DATE
B	CORRECTED ROOF PANEL PRESSURES ON SHEET 2	RJA	2/12/2020
C	UPDATE TO 7th EDITION (2020) FBC	RJA	5/15/2021
D	UPDATE TO 8th EDITION (2023) FBC	RJA	8/23/2023

PARTS LIST		
NO.	DESCRIPTION	MATERIAL/REFERENCE
1	BASE TUBE, 2x5x1/8 (MIN)	STEEL
2	INTERNAL CHANNEL, NO TABS, 3" FLANGE, 5" HIGH	HR STEEL
3	INTERNAL CHANNEL, END TABS, 3" FLANGE, 5" HIGH	HR STEEL
4	INTERNAL CHANNEL, END TABS, 5" HIGH	HR STEEL
5	GASKET, 1x1/4	PVC PSA
6	FOAM, SPRAY, 2 PART	
6A	FIBERGLASS INSULATION	
7	FLOOR, SHEET, GALV	STEEL, SST, HR STEEL, ALUMINUM
8	SUB-FLOOR	
9	LIFTING LUG	STEEL
10	EXTERIOR LINER PANEL	STEEL, SST, ALUMINUM
11	INTERIOR LINER	STEEL, SST, ALUMINUM
12	SCREW, 1/4-14x2-3/4 TEK	STEEL
13	WALL/ROOF TUBE, PENTA, 16ga (MIN)	STEEL
14	WALL/ROOF ROLLED FORMED TUBE, 16ga (MIN)	STEEL
15	DOOR JAMB FRAME	ALUMINUM
16	DOOR FRAME	ALUMINUM
17	DOOR EXTERIOR LINER 0.039" (MIN)	STEEL, SST
18	DOOR INTERIOR LINER 0.039" (MIN)	STEEL, SST, ALUMINUM
19	HINGE, HEAVY DUTY	STEEL
20	LATCH ASSEMBLY	
21	SCREW, #12x1 TEK	STEEL

NOTES:

1. THE PRODUCT SHOWN HEREIN IS DESIGNED AND MANUFACTURED TO COMPLY WITH REQUIREMENTS OF THE 8th EDITION (2023) FLORIDA BUILDING CODE.
2. ALL SUPPORTIVE STRUCTURE UNDER THE AIR HANDLING UNIT (AHU) SUCH AS CONCRETE OR STEEL STRUCTURE TO BE PROPERLY DESIGNED TO TRANSFER ALL LOADS TO SAID STRUCTURE. ANCHORING OF BASE TO BUILDING OR THIS STRUCTURE IS NOT PART OF THIS APPROVAL AND IS THE RESPONSIBILITY OF THE ARCHITECT OR ENGINEER OF RECORD.
3. ALL JOINTS OF STRUCTURAL STEEL MEMBERS ARE CONTINUOUSLY WELDED.
4. UNIT BASE AS SHOWN IS COMPLETELY PRIMED AND PAINTED.
5. INTERNAL FLOOR MEMBER SPACING ARE 24" (MAX).
6. AHU SIZE CAN VARY BUT SPACING OF STEEL FRAMEWORK NOT TO EXCEED MAXIMUM ROOF/FLOOR AND WALL PANEL WIDTH AS SHOWN ON SHEET 2.
7. DESIGN AND SIZE OF STEEL BASE/Framework WILL VARY DEPENDING ON THE STRUCTURAL ADEQUACY REQUIRED.
8. SPRAY FOAM INSULATION THERMAL AND ACOUSTICAL PROPERTIES MEET 3LB DENSITY RATING.
9. STANDARD INNER LINER ARE SOLID 20ga. (.0396" MIN) STEEL, SST OR ALUMINUM WHICH MAY BE USED IN ANY COMBINATION AS MAY BE REQUIRED THROUGHOUT THE AHU CABINET.

PRODUCT REVISED
 as complying with the Florida
 Building Code
 Acceptance No 23-0901.17
 Expiration Date 04/25/2024
 By *Hely A. Amoruso*
 Miami Code Product Control

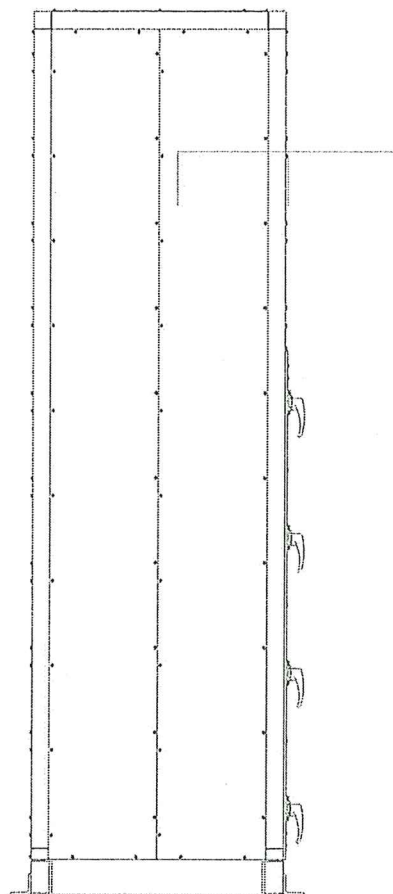
PRODUCT RENEWED
 as complying with the Florida
 Building Code
 Acceptance No 24-0109.01
 Expiration Date 04/25/2029
 By *Hely A. Amoruso*
 Miami Code Product Control

Nortek Air Solutions 106 North Industrial Boulevard Okarche, OK 73762		
SERIES: ITF AIR HANDLING UNIT		
GENERAL NOTES AND PARTS LIST		
DRAWN:	DWG NO. MD-2019.01.07	REV D
SCALE NTS	DATE 08/23/2023	SHEET 1 OF 11

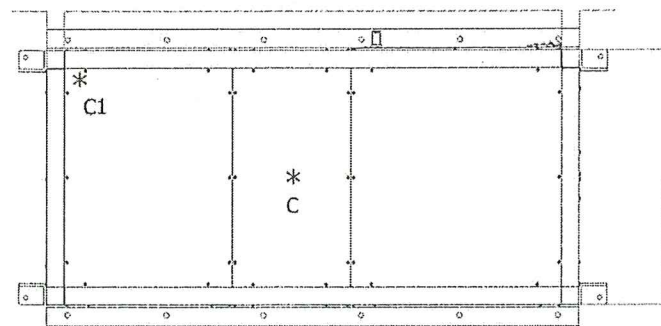
ROBERT J. AMORUSO
FL. P.E. NO. 49752

226 N. NOVA RD., #142
ORMOND BEACH, FL 32174
rjaengpe@gmail.com

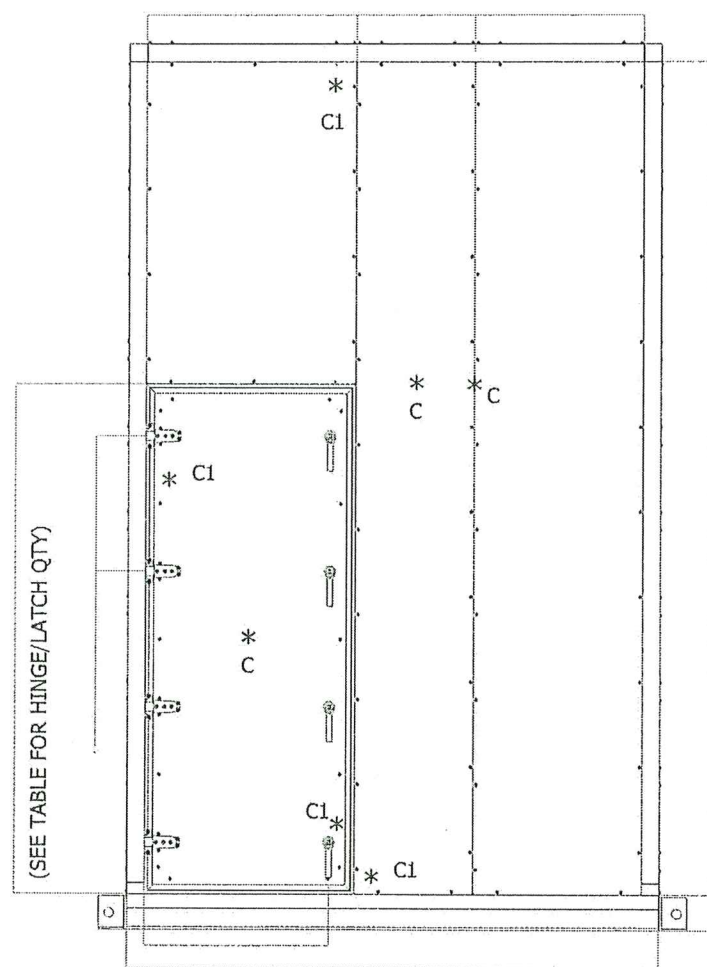
C * - IMPACT LOCATION AT CENTER
 C1 * - IMPACT LOCATION AT CORNER



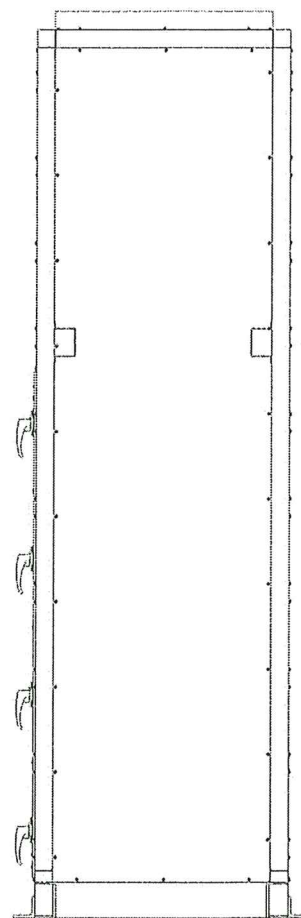
LEFT ELEVATION



PLAN VIEW



FRONT ELEVATION
 SAMPLE 1 - SIDE 1



RIGHT ELEVATION

APPROVED MAX. SIZES FOR PANELS	
EXTERIOR LINER	INTERIOR LINER
0.059" MIN. G-90 GALV.	0.0396" MIN. G-90 GALV, SST, ALUM
30 x 117.5	30 x 117.5
24 x 117.5	24 x 117.5
17 x 117.5	17 x 117.5
15.5 x 117.5	15.5 x 117.5
24 x 31	24 x 31
17 x 31	17 x 31
30 x 31	30 x 31

10 ga Stiffener channel attached
 with 1/4" X 1" HH Self Drill Screws

FASTENERS
 PANELS SECURED TO THE STEEL FRAME
 WITH 1/4" X 2-3/4" HH SELF DRILL SCREWS WITH
 NEOPRENE WASHERS AT 12" O.C. (MAX.)

UNIT BASE
 FULLY WELDED TUBULAR STEEL, 0.120 (MIN.)
 THICKNESS WITH STRUCTURAL FLOOR PANEL
 SUPPORTS 24" WIDE MAX (SEE NOTES ON SHEET 4)

UNIT FLOORS
 INNER FLOOR IS 0.059" (MIN) HR STEEL
 OUTER FLOOR IS 0.0396" (MIN) G-90 GALV. STEEL

UNIT FRAMEWORK
 .059" (MIN.) STEEL FRAMEWORK AT
 30" O.C. (MAX.)

ACCESS DOOR (30" x 72")
 0.059" (MIN.) G-90 GALV. (OUTER)
 0.0396" (MIN.) G-90 (INNER)
 ALLEGIS HANDLES
 HEAVY DUTY HINGES BY TEMTROL (SST)
 HINGE/LATCH QTY = 2 HINGE/LATCH COMBO PER
 DOOR AND NO LESS THAN 1 COMBO PER 3.75 SQ.
 FT. OF NOMINAL DOOR AREA.

GALV or SS UNIT CONSTRUCTION	
WALL AND ROOF PANEL DESIGN PRESSURE RATING	
WALL PANEL	ROOF PANEL
+/- 135.0 PSF	+/- 101.25 PSF

ALUM PANEL UNIT CONSTRUCTION	
WALL AND ROOF PANEL DESIGN PRESSURE RATING	
WALL PANEL	ROOF PANEL
+/- 120.0 PSF	+/- 90.0 PSF

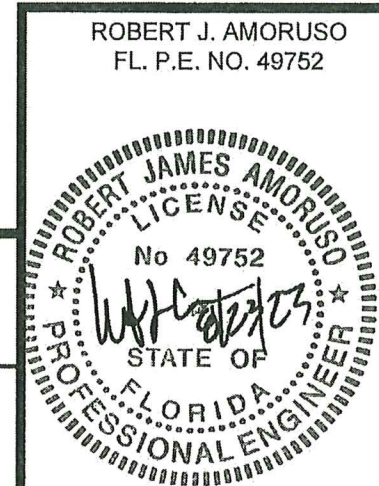
(SEE TABLE FOR HINGE/LATCH QTY)

PRODUCT RENEWED
 as complying with the Florida
 Building Code 24-0109.01
 Acceptance No. 24-0109.01
 Expiration Date 04/25/2029
 By *Healy A. Mohr*
 Miami Dade Product Control

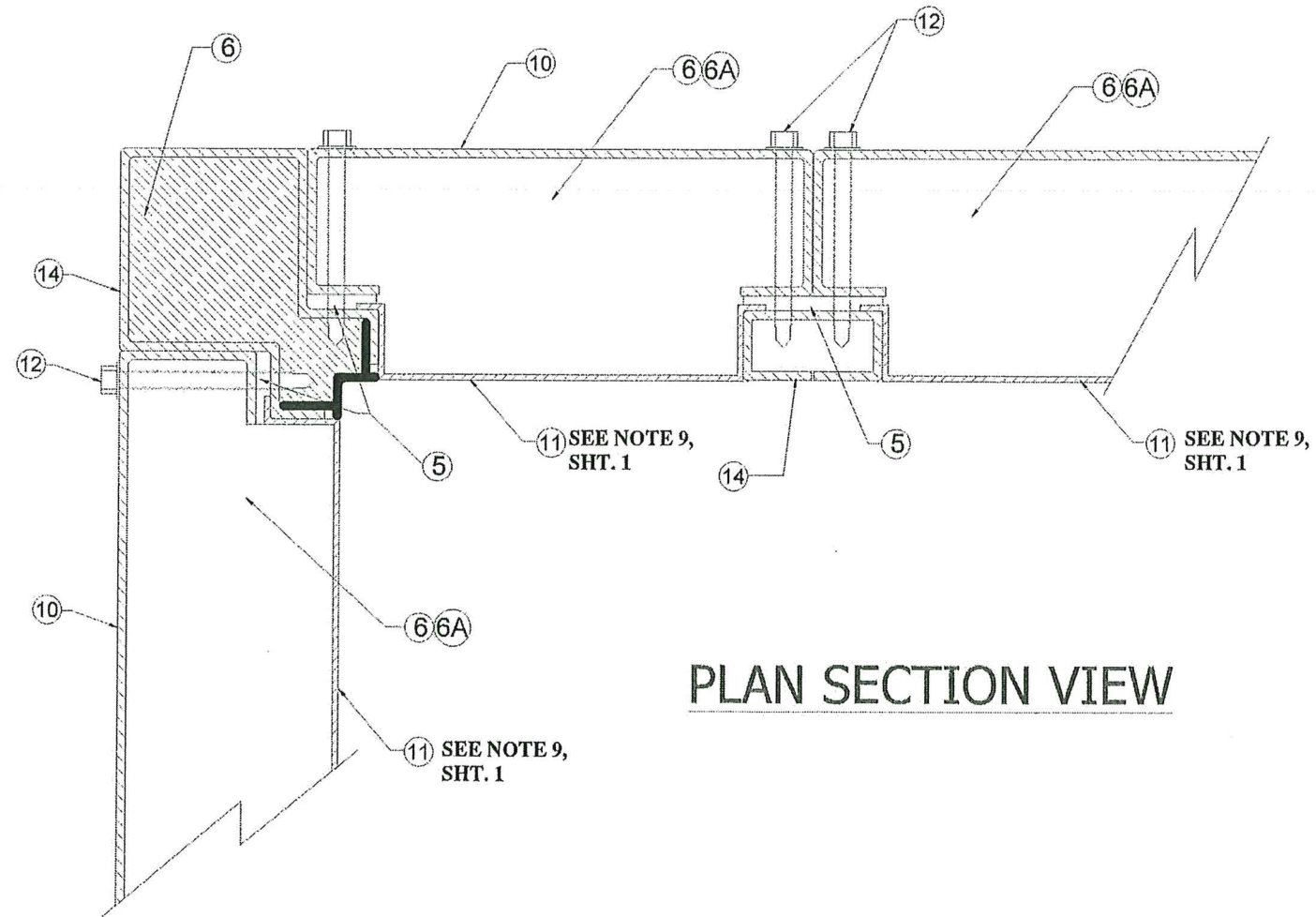
PRODUCT REVISED
 as complying with the Florida
 Building Code 23-0901-17
 Acceptance No. 23-0901-17
 Expiration Date 7-5 APR. 2024
 By *Healy A. Mohr*
 Miami Dade Product Control

Nortek Air Solutions
 106 North Industrial Boulevard
 Okarche, OK 73762
 SERIES: ITF AIR HANDLING UNIT
 PANEL ASSEMBLY

DRAWN:	DWG NO. MD-2019.01.07	REV D
SCALE NTS	DATE 08/23/2023	SHEET 2 OF 11



226 N. NOVA RD., #142
 ORMOND BEACH, FL 32174
 rjaenge@gmail.com



PLAN SECTION VIEW

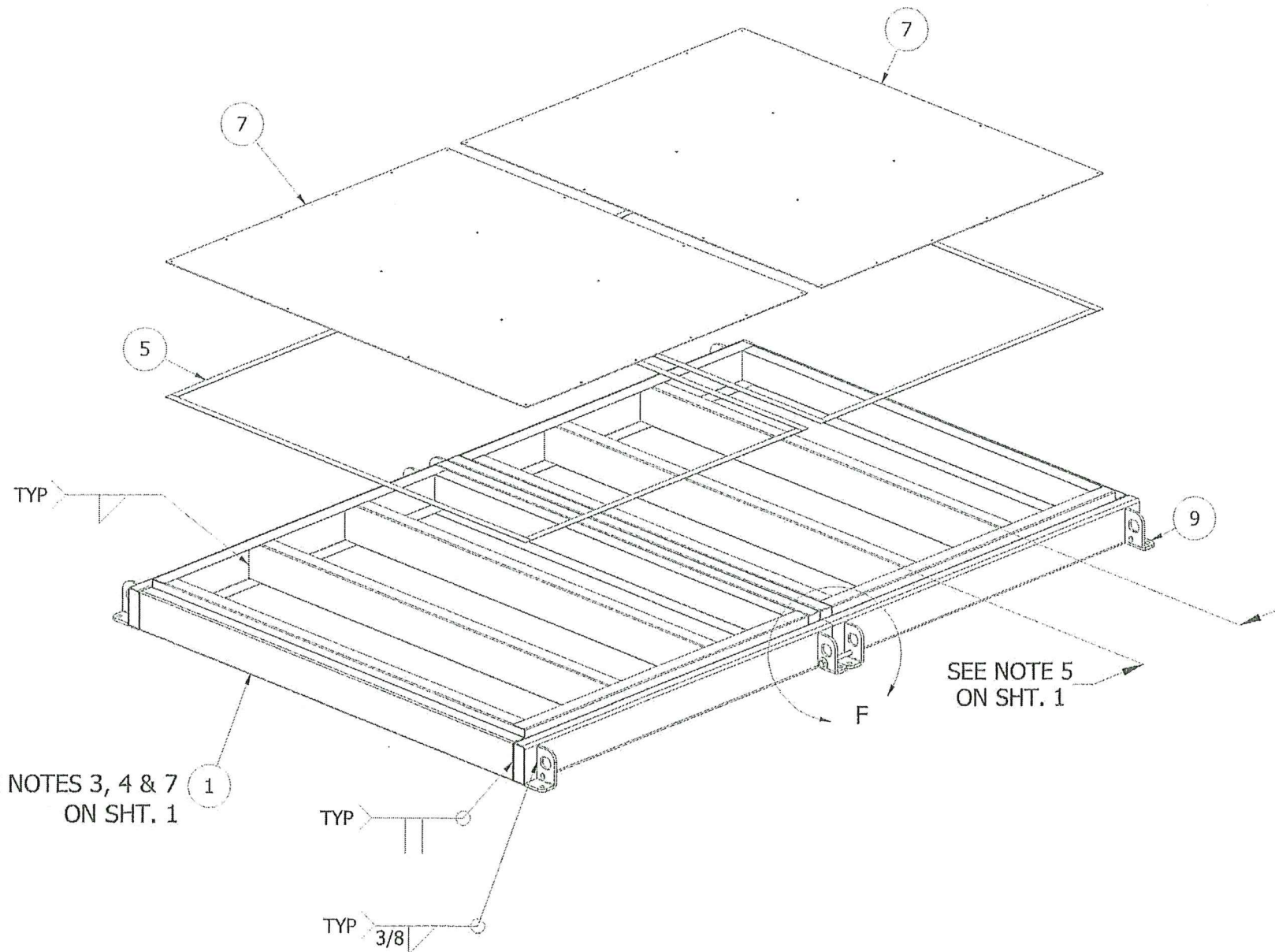
PRODUCT RENEWED
 as complying with the Florida
 Building Code
 Acceptance No. 24-0109.01
 Expiration Date 09/25/2029
 By *Healy A. McW*
 Miami Data Product Control

PRODUCT REVISED
 as complying with the Florida
 Building Code
 Acceptance No. 23-0901.17
 Expiration Date 5 APR 2024
 By *Healy A. McW*
 Miami Data Product Control

Nortek Air Solutions 106 North Industrial Boulevard Okarche, OK 73762		
SERIES: ITF AIR HANDLING UNIT		
PANEL/FRAME CONSTRUCTION		
DRAWN: D	DWG NO. MD-2019.01.07	REV D
SCALE NTS	DATE 08/23/2023	SHEET 3 OF 11

ROBERT J. AMORUSO
 FL. P.E. NO. 49752

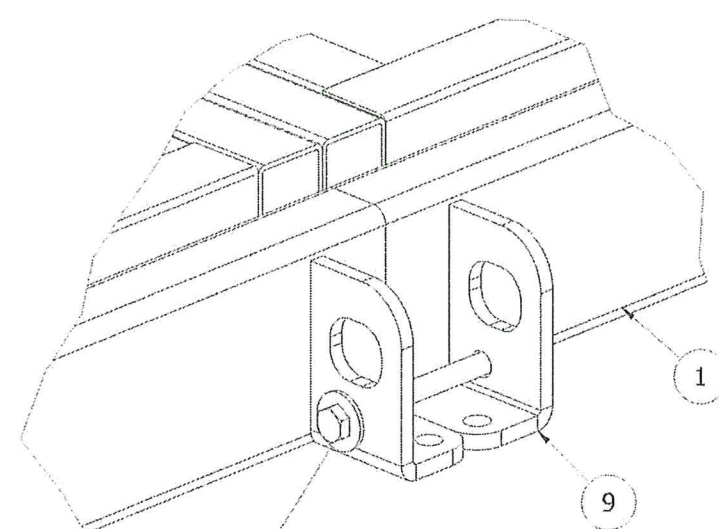
226 N. NOVA RD., #142
 ORMOND BEACH, FL 32174
 rjaengpe@gmail.com



SEE NOTES 3, 4 & 7
ON SHT. 1

TYP
3/8

SEE NOTE 5
ON SHT. 1



1/2"-13 X 6-1/2" HH BOLT
1/2" WASHER (2)
1/2" NUT

DETAIL F
TYPICAL CONNECTION AT DEMOUNT BASE

STANDARD FLOOR

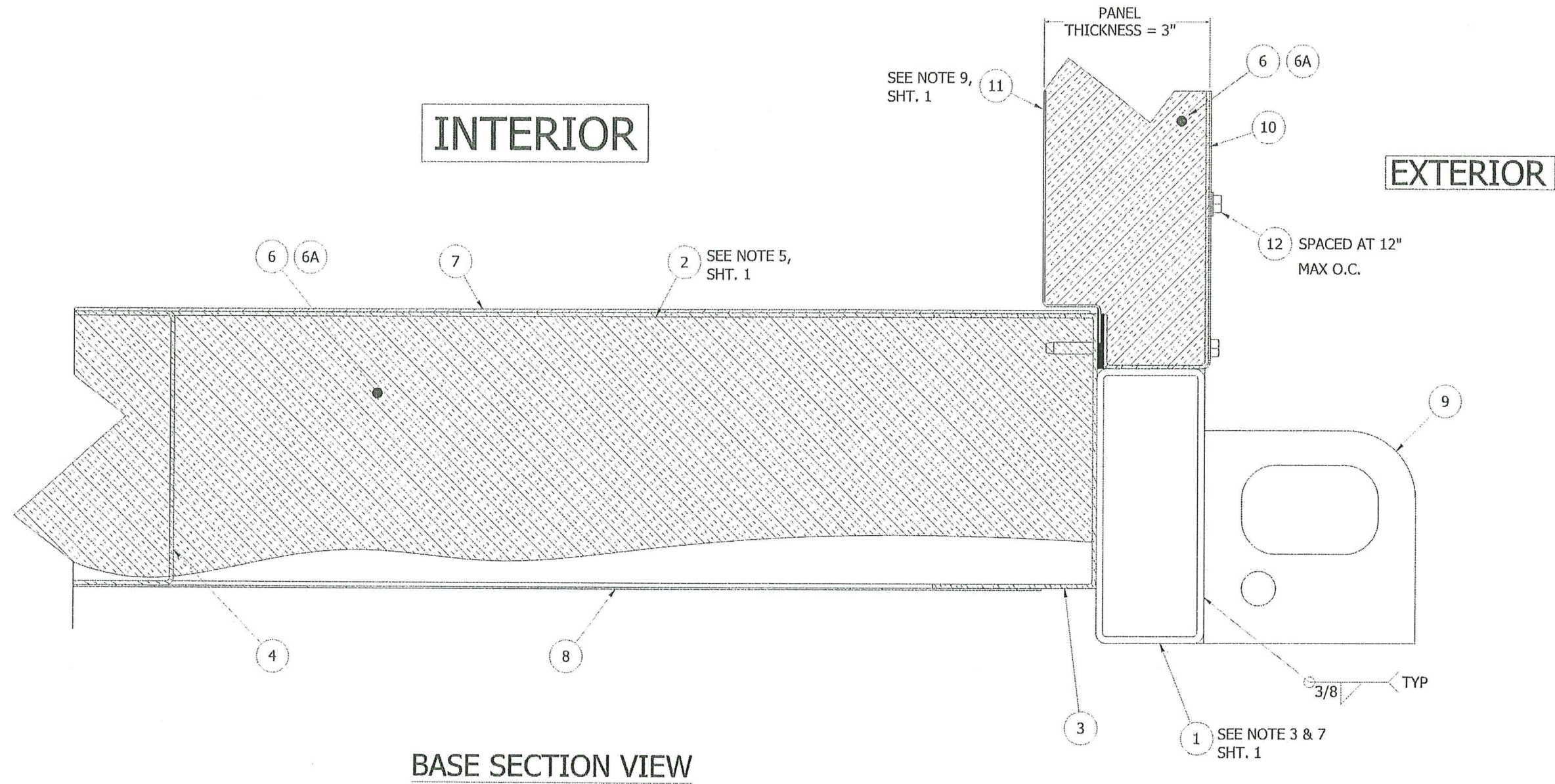
PRODUCT RENEWED
as complying with the Florida
Building Code
Acceptance No. 24-0109.01
Expiration Date 04/25/2029
By *Healy A. Melton*
Miami Data Product Control

PRODUCT REVISED
as complying with the Florida
Building Code
Acceptance No. 23-0901.17
Expiration Date 05 APR 2024
By *Healy A. Melton*
Miami Data Product Control

Nortek Air Solutions 106 North Industrial Boulevard Okarche, OK 73762		
SERIES: ITF AIR HANDLING UNIT		
BASE CONSTRUCTION		
DRAWN:	DWG NO. MD-2019.01.07	REV D
SCALE NTS	DATE 08/23/2023	SHEET 4 OF 11

ROBERT J. AMORUSO
FL. P.E. NO. 49752

226 N. NOVA RD., #142
ORMOND BEACH, FL 32174
rjaengpe@gmail.com



BASE SECTION VIEW

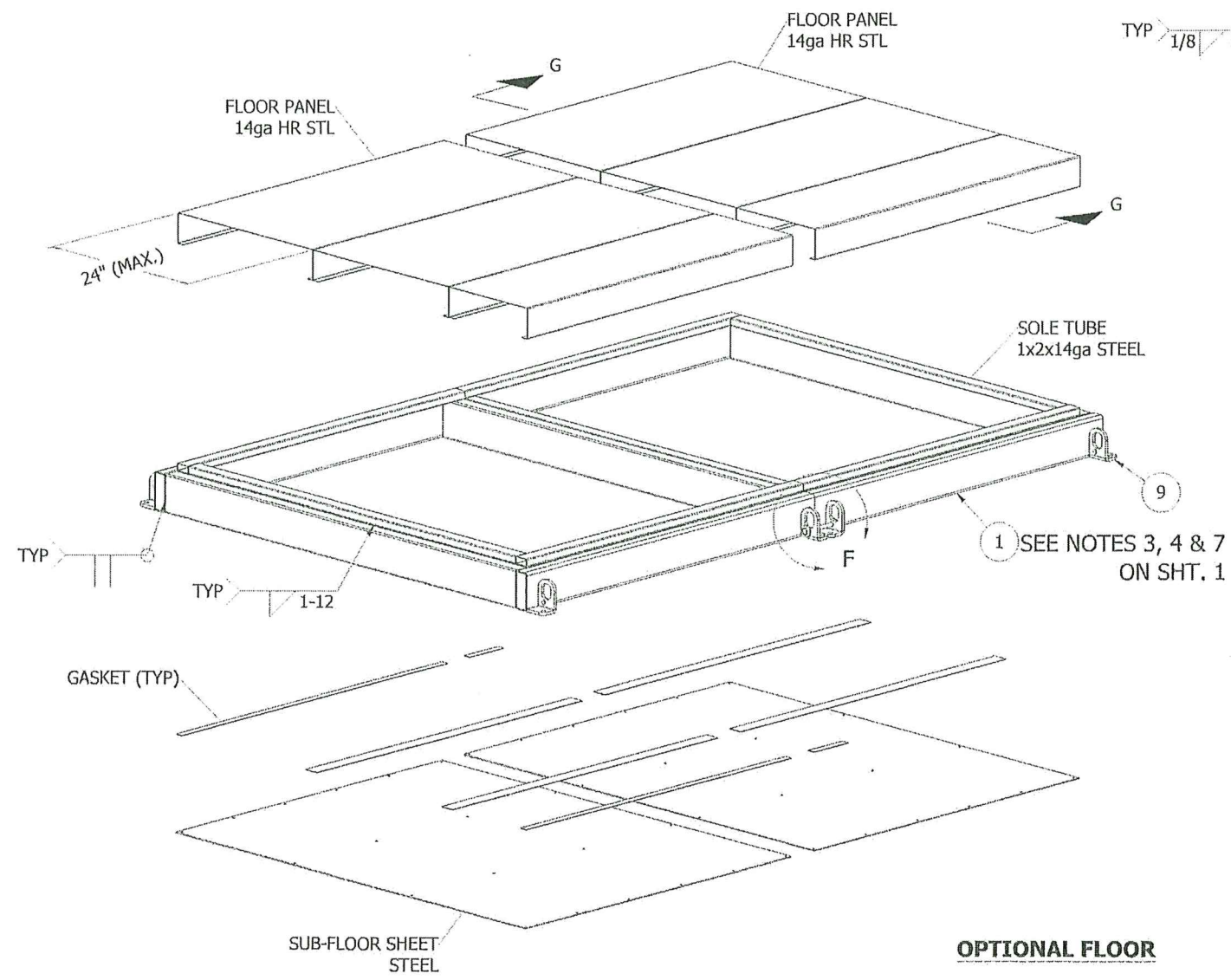
PRODUCT RENEWED
 as complying with the Florida
 Building Code
 Acceptance No. 24-0109.01
 Expiration Date 04/25/2029
 By [Signature]
 Miami Dade Product Control

PRODUCT REVISED
 as complying with the Florida
 Building Code 23-0901
 Acceptance No.
 Expiration Date 5 APR 2024
 By [Signature]
 Miami Dade Product Control

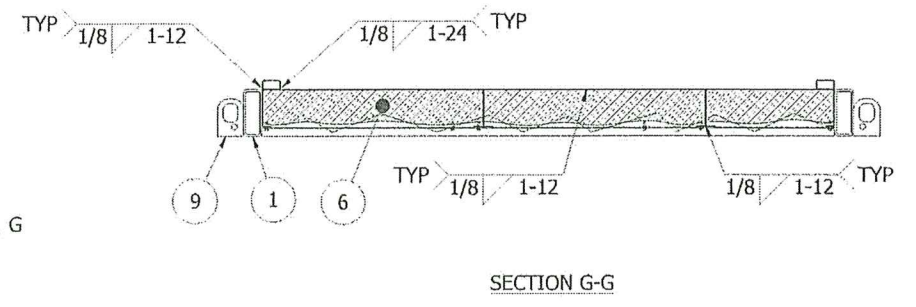
Nortek Air Solutions 106 North Industrial Boulevard Okarche, OK 73762		
17' SERIES: ITF AIR HANDLING UNIT		
BASE VIEW		
DRAWN:	DWG NO. MD-2019.01.07	REV D
SCALE NTS	DATE 08/23/2023	SHEET 5 OF 11

ROBERT J. AMORUSO
 FL. P.E. NO. 49752

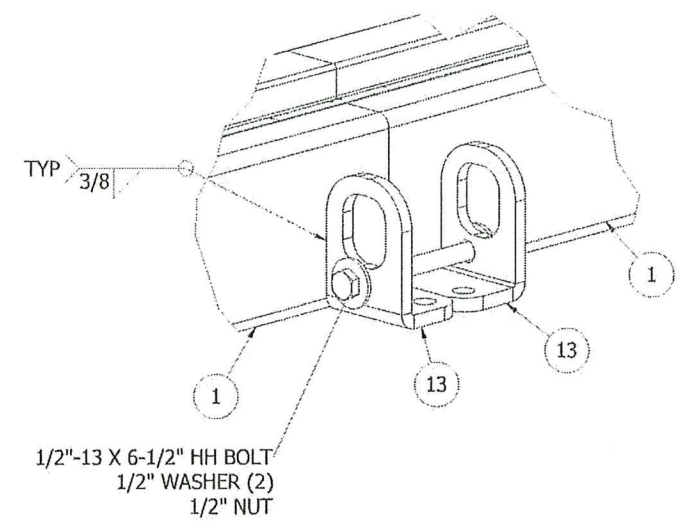
226 N. NOVA RD., #142
 ORMOND BEACH, FL 32174
 rjaengpe@gmail.com



OPTIONAL FLOOR



SECTION G-G



**DETAIL F
TYPICAL CONNECTION AT DEMOUNT BASE**

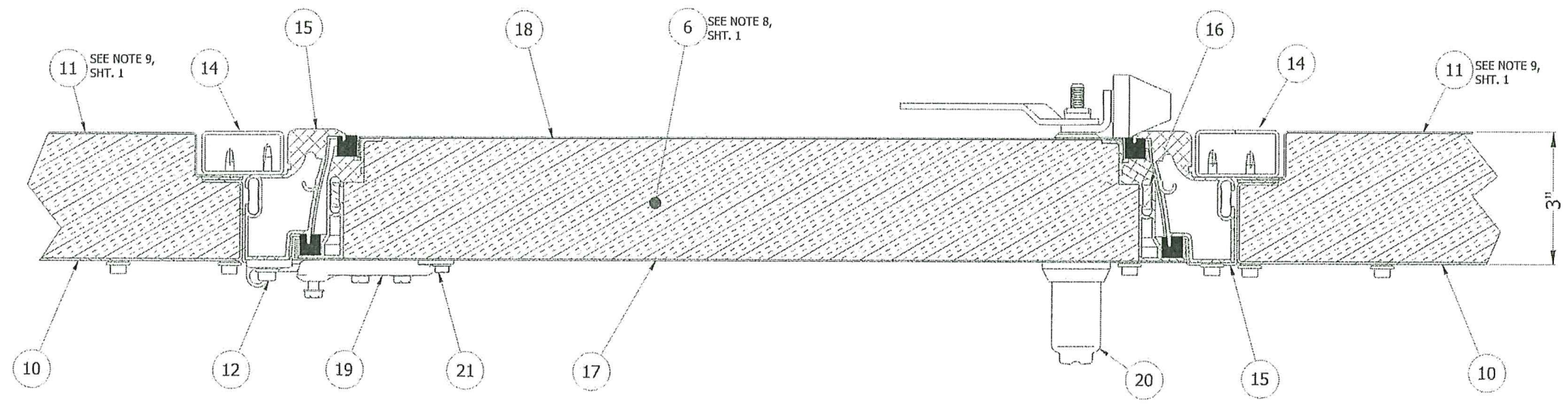
PRODUCT RENEWED
 as complying with the Florida
 Building Code
 Acceptance No. 24-0109.01
 Expiration Date 04/25/2029
 By *H. G. A. Miller*
 Miami Dade Product Control

PRODUCT REVISED
 as complying with the Florida
 Building Code
 Acceptance No. 23-0901
 Expiration Date 25 APR 2024
 By *H. G. A. Miller*
 Miami Dade Product Control

Nortek Air Solutions 106 North Industrial Boulevard Okarche, OK 73762		
17 SERIES: ITF AIR HANDLING UNIT		
BASE CONSTRUCTION		
DRAWN:	DWG NO. MD-2019.01.07	REV D
SCALE NTS	DATE 08/23/2023	SHEET 6 OF 11

ROBERT J. AMORUSO
 FL. P.E. NO. 49752

226 N. NOVA RD., #142
 ORMOND BEACH, FL 32174
 rjaengpe@gmail.com



DOOR CROSS-SECTION
PLAN VIEW

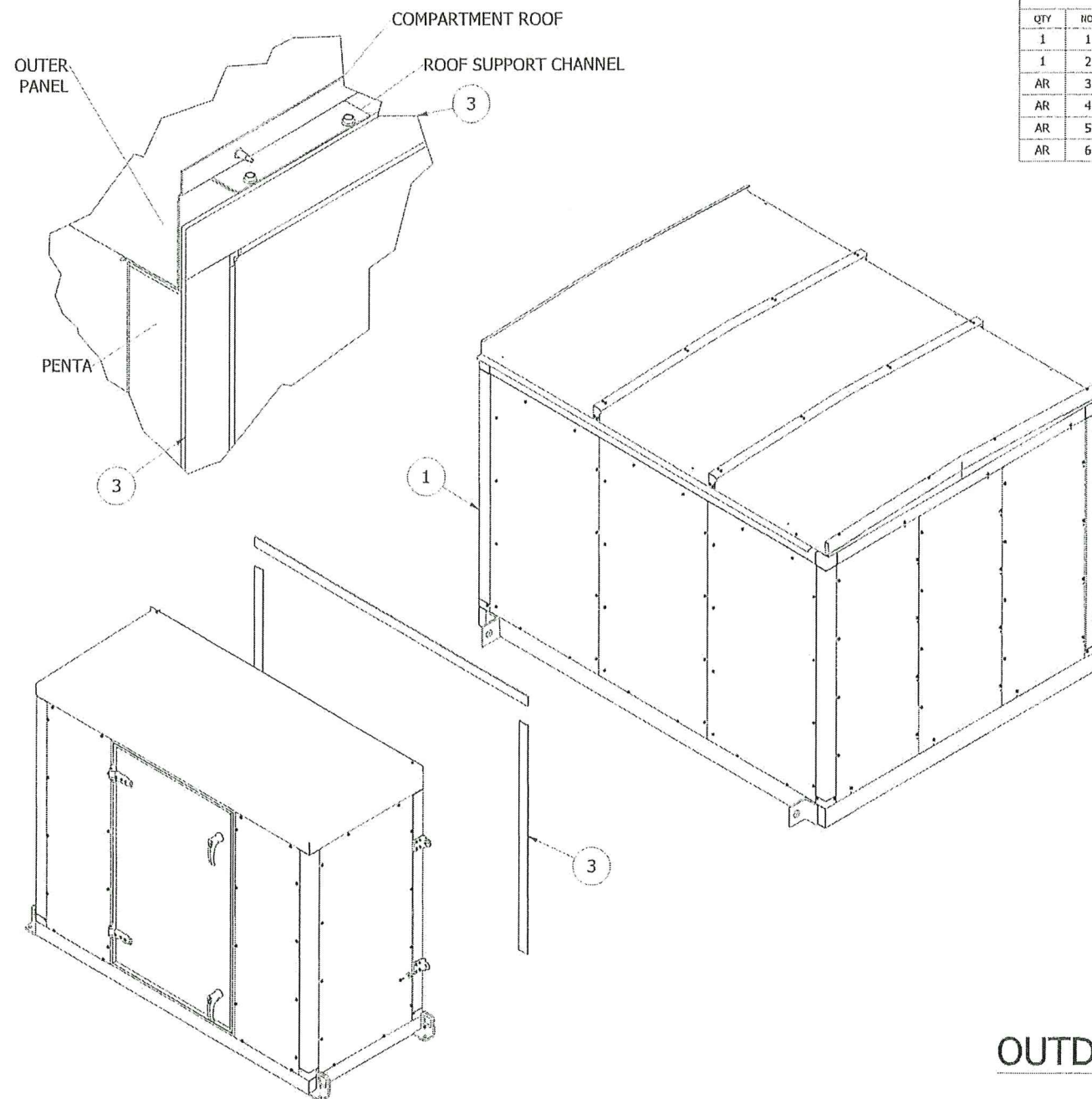
PRODUCT RENEWED
as complying with the Florida
Building Code
Acceptance No. 24-0109.01
Expiration Date 04/25/2029
By *Hely A. Miller*
Miami Dade Product Control

PRODUCT REVISED
as complying with the Florida
Building Code 23 - 0901
Acceptance No. 17
Expiration Date 5 APR 2024
By *Hely A. Miller*
Miami Dade Product Control

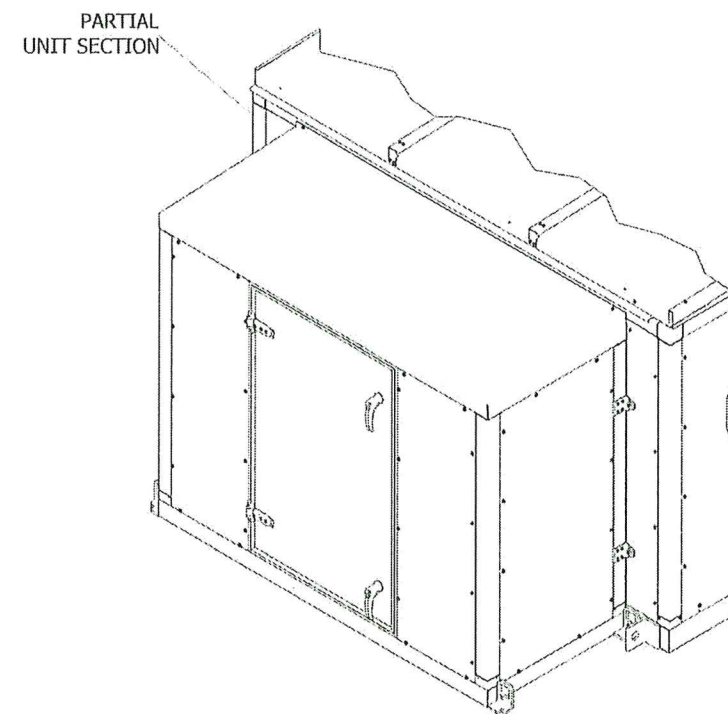
Nortek Air Solutions 106 North Industrial Boulevard Okarche, OK 73762		
SERIES: ITF AIR HANDLING UNIT		
DOOR DETAIL		
DRAWN:	DWG NO. MD-2019.01.07	REV D
SCALE NTS	DATE 08/23/2023	SHEET 7 OF 11

ROBERT J. AMORUSO
FL. P.E. NO. 49752

226 N. NOVA RD., #142
ORMOND BEACH, FL 32174
rjaengpe@gmail.com



PARTS LIST					
QTY	NO.	ITEM NUMBER	DESCRIPTION	MATERIAL	REMARKS
1	1		UNIT SECTION		
1	2		ASSEMBLY, PENTA PIPE HOUSE, ITF		
AR	3	GKFM0150	TEM 30, PVC, FOAM TAPE, 5/16 X 2		
AR	4	FNWS0009	WASHER, FENDER, 5/16" X 1-1/2", ZP		
AR	5	FNCS0031	SCREW, SELF- DRILLING, RUBER WASHER, TEK #12-14 X 1 LG, 5/16" HWH, 3PT		
AR	6	CKXX0030	MASTERWELD 620, SLATE, ELASTOMERIC ADHESIVE		



OUTDOOR OPTION: WATERSHED ROOF

PRODUCT RENEWED
 as complying with the Florida
 Building Code
 Acceptance No 24-0109.01
 Expiration Date 04/25/2029
 By *Heidi A. Morrow*
 Miami Data Product Control

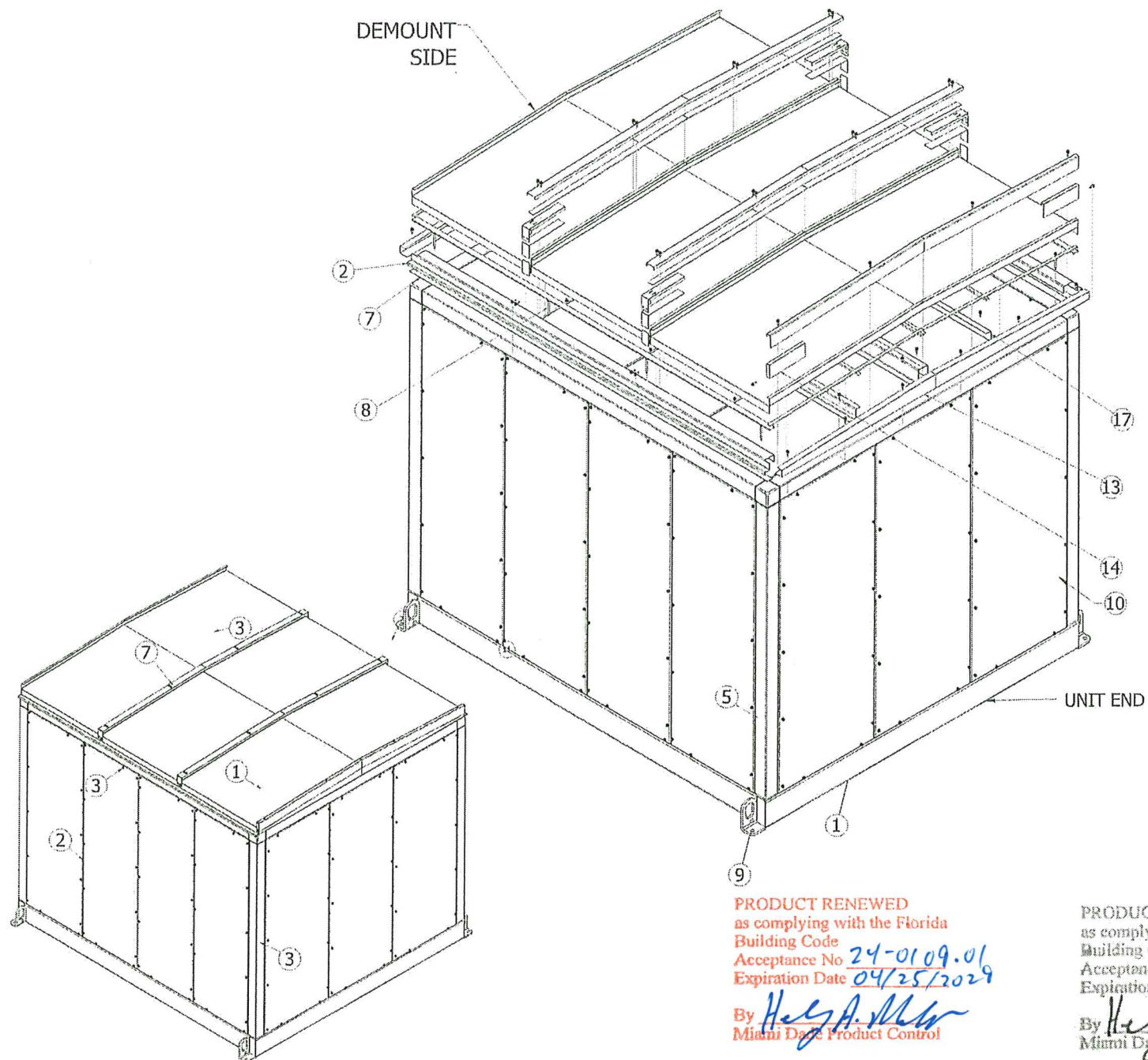
PRODUCT REVISED
 as complying with the Florida
 Building Code
 Acceptance No 3-0901-17
 Expiration Date 5 APR 2026
 By *Heidi A. Morrow*
 Miami Data Product Control

Nortek Air Solutions 106 North Industrial Boulevard Okarche, OK 73762		
SERIES: ITF AIR HANDLING UNIT		
PIPE HOUSE ATTACHMENT		
DRAWN:	DWG NO. MD-2019.01.07	REV D
SCALE NTS	DATE 08/23/2023	SHEET 8 OF 11

ROBERT J. AMORUSO
 FL. P.E. NO. 49752

226 N. NOVA RD., #142
 ORMOND BEACH, FL 32174
 rjaenge@gmail.com

PARTS LIST					
QTY	NO.	ITEM NUMBER	DESCRIPTION	MATERIAL	REMARKS
1	1		UNIT SECTION		
1	2		ASSEMBLY, PENTA PIPE HOUSE, ITF		
AR	3	GKFM0150	TEM 30, PVC, FOAM TAPE, 5/16 X 2		
AR	4	FNWS0009	WASHER, FENDER, 5/16" X 1-1/2", ZP		
AR	5	FNSC0031	SCREW, SELF- DRILLING, RUBER WASHER, TEK #12-14 X 1 LG, 5/16" HWH, 3PT		
AR	6	CKXX0030	MASTERWELD 620, SLATE, ELASTROMERIC ADHESIVE		



PRODUCT RENEWED
 as complying with the Florida
 Building Code
 Acceptance No 24-0109.01
 Expiration Date 04/25/2029
 By *Helya A. Miller*
 Miami Data Product Control

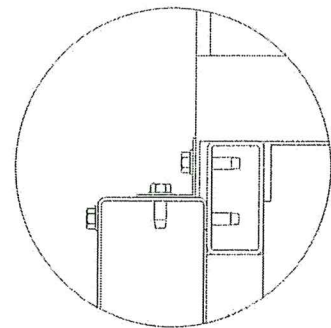
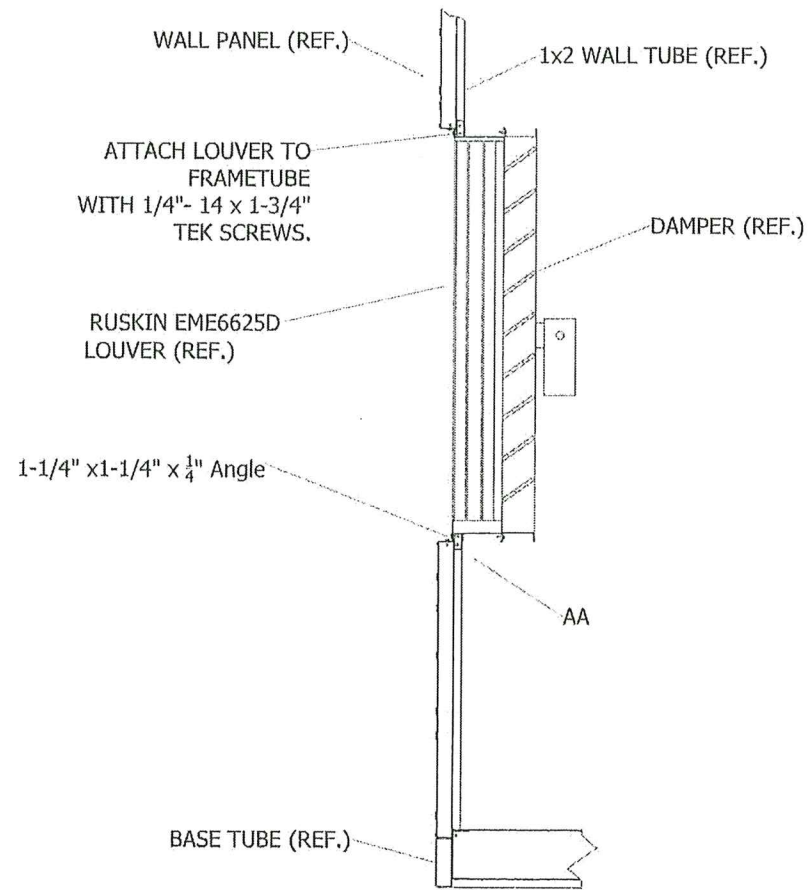
PRODUCT REVISED
 as complying with the Florida
 Building Code
 Acceptance No 23-0901-17
 Expiration Date 5 APR 2024
 By *Helya A. Miller*
 Miami Data Product Control

Nortek Air Solutions 106 North Industrial Boulevard Okarche, OK 73762		
SERIES: ITF AIR HANDLING UNIT		
WATERSHED ROOF		
DRAWN:	DWG NO. MD-2019.01.07	REV D
SCALE NTS	DATE 08/23/2023	SHEET 9 OF 11

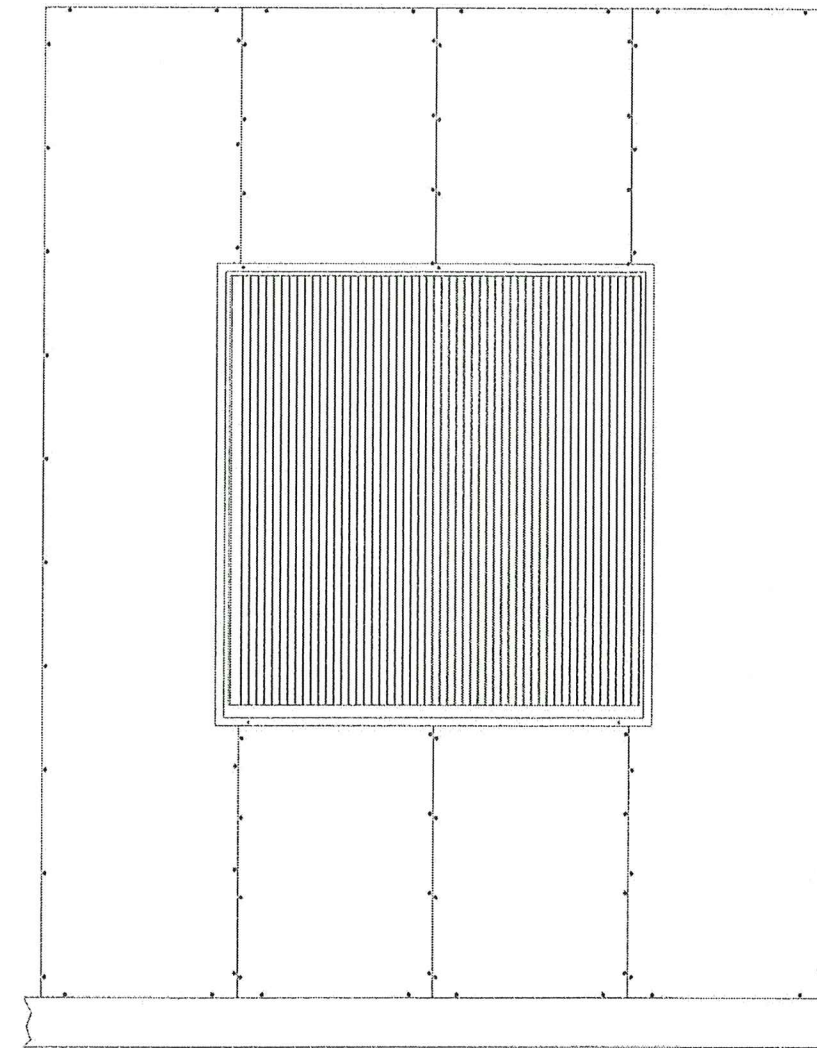
ROBERT J. AMORUSO
 FL. P.E. NO. 49752

226 N. NOVA RD., #142
 ORMOND BEACH, FL 32174
 rjaengpe@gmail.com

USE ONLY MIAMI DADE APPROVED LOUVER INSTALLED IN ACCORDANCE WITH THE MANUFACTURER'S INSTALLATION INSTRUCTIONS.
 NOA APPROVED RUSKIN LOUVER EME6625D (#22-0203.04 OR LATER PER CURRENT FBC). ATTACHMENT SHOWN BELOW.
 LOUVER IS ATTACHED TO THE FRAME OF THE NOA CERTIFIED UNIT USING 1/4"-14 X 1-3/4" TEK SCREWS RATED AT 1145 LBS PULL OUT STRENGTH EACH.
 ALL ATTCHMENT HARDWARE AND MATERIAL ARE PROVIDED BY NORTEK AIR SOLUTIONS.



AA



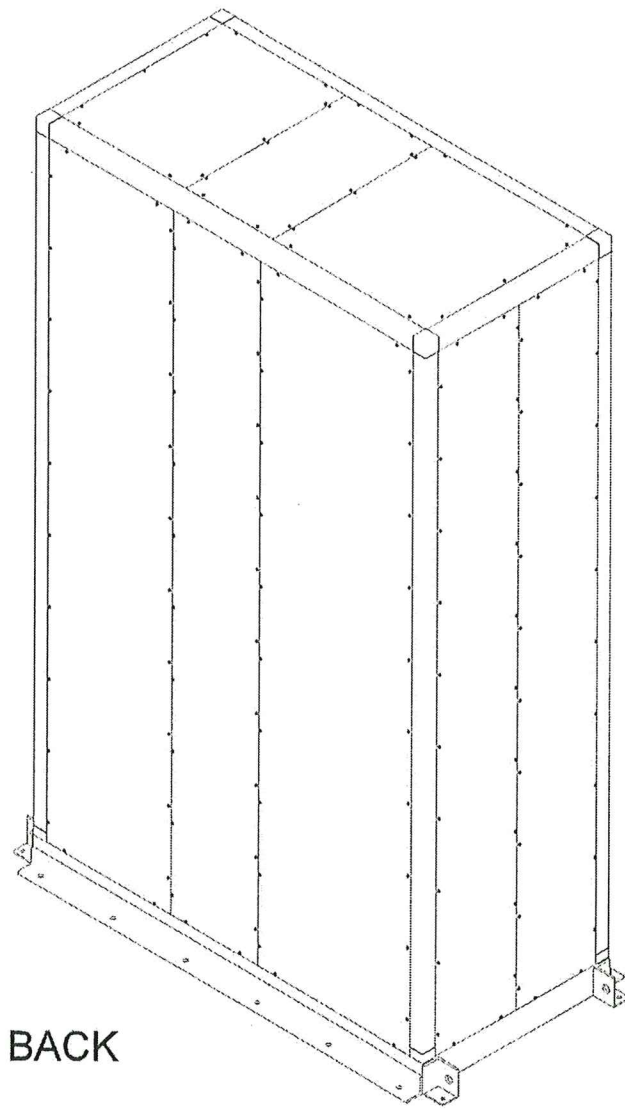
PRODUCT RENEWED
 as complying with the Florida
 Building Code
 Acceptance No 24-0109.01
 Expiration Date 04/25/2029
 By *Healy P. Miller*
 Miami Dade Product Control

PRODUCT REVISED
 as complying with the Florida
 Building Code 23-0901-17
 Acceptance No
 Expiration Date 5 APR 2024
 By *Healy P. Miller*
 Miami Dade Product Control

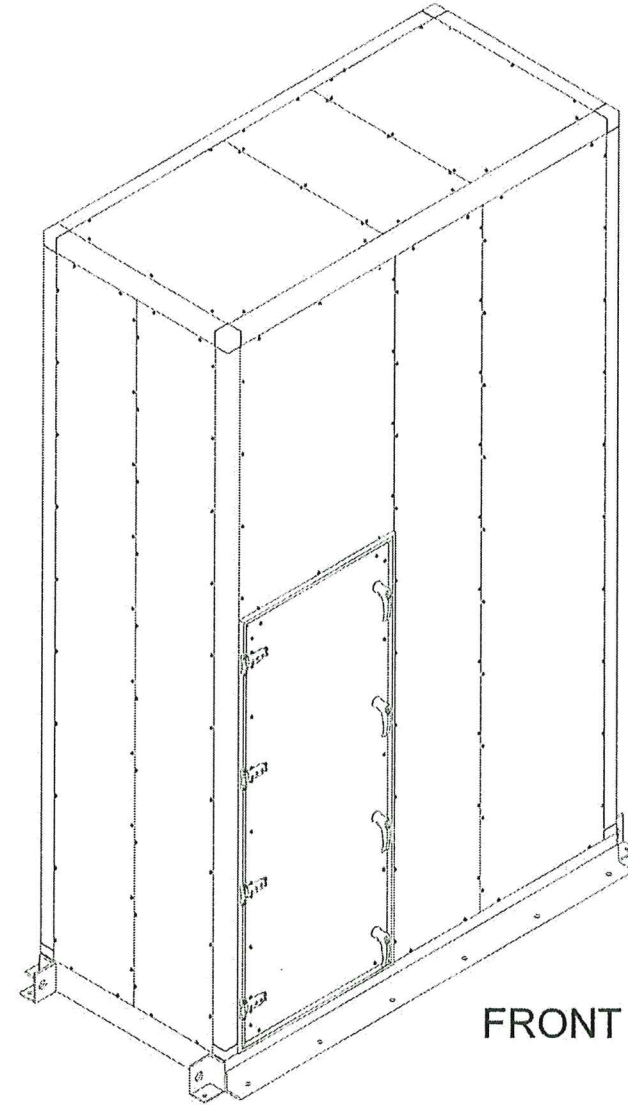
Nortek Air Solutions 106 North Industrial Boulevard Okarche, OK 73762		
SERIES: ITF AIR HANDLING UNIT		
LOUVER ATTACHMENT		
DRAWN:	DWG NO. MD-2019.01.07	REV D
SCALE NTS	DATE 08/23/2023	SHEET 10 OF 11

ROBERT J. AMORUSO
 FL. P.E. NO. 49752

226 N. NOVA RD., #142
 ORMOND BEACH, FL 32174
 rjaenge@gmail.com



BACK



FRONT

PRODUCT RENEWED
 as complying with the Florida
 Building Code
 Acceptance No. 24-0109.01
 Expiration Date 04/25/2029
 By Helga M. M...
 Miami Dade Product Control

PRODUCT REVISED
 as complying with the Florida
 Building Code 23-0901-17
 Acceptance No. 23-0901-17
 Expiration Date 5 APR 2024
 By Helga M. M...
 Miami Dade Product Control

Nortek Air Solutions 106 North Industrial Boulevard Okarche, OK 73762		
SERIES: ITF AIR HANDLING UNIT		
BOX ELEVATION		
DRAWN:	DWG NO. MD-2019.01.07	REV D
SCALE NTS	DATE 08/23/2023	SHEET 11 OF 11

ROBERT J. AMORUSO
 FL. P.E. NO. 49752

226 N. NOVA RD., #142
 ORMOND BEACH, FL 32174
 rjaengpe@gmail.com