



DEPARTMENT OF REGULATORY AND ECONOMIC RESOURCES (RER)
 BOARD AND CODE ADMINISTRATION DIVISION
NOTICE OF ACCEPTANCE (NOA)

MIAMI-DADE COUNTY
PRODUCT CONTROL SECTION
 11805 SW 26 Street, Room 208
 Miami, Florida 33175-2474
 T (786) 315-2590 F (786) 315-2599
www.miamidade.gov/economy

Kaycan Ltd.
105 Industrial Blvd.
Cowansville, Quebec, J2K 3G7, Canada

SCOPE:

This NOA is being issued under the applicable rules and regulations governing the use of construction materials. The documentation submitted has been reviewed and accepted by Miami-Dade County RER-Product Control Section to be used in Miami-Dade County and other areas where allowed by the Authority Having Jurisdiction (AHJ).

This NOA shall not be valid after the expiration date stated below. The Miami-Dade County Product Control Section (In Miami-Dade County) and/or the AHJ (in areas other than Miami-Dade County) reserve the right to have this product or material tested for quality assurance purposes. If this product or material fails to perform in the accepted manner, the manufacturer will incur the expense of such testing and the AHJ may immediately revoke, modify, or suspend the use of such product or material within their jurisdiction. RER reserves the right to revoke this acceptance if it is determined by Miami-Dade County Product Control Section that this product or material fails to meet the requirements of the applicable building code.

This product is approved as described herein and has been designed to comply with the Florida Building Code, including the High Velocity Hurricane Zone.

DESCRIPTION: Model D5 10” and T4 12” Vinyl Vented Soffit

APPROVAL DOCUMENT: Drawing No. **KAY0001**, titled “Vinyl PVC Soffit D5 10” and T4 12” Vented”, sheets 1 through 5 of 5, dated 06/21/2024, with revision 7 dated 06/21/2024, prepared by PTC, LLC, signed and sealed by Robert J. Amoruso, P.E., bearing the Miami-Dade County Product Control revision stamp with the Notice of Acceptance number and expiration date by the Miami-Dade County Product Control Section.

MISSILE IMPACT RATING: None

LABELING: Each piece shall bear a permanent label marked at not more than 4 ft. (1.2m) o.c. with the manufacturer’s name or logo, Cowansville, QC, Canada and following statement: "Miami-Dade County Product Control Approved", per FBC 1709.10.2 and 1709.10.3.

RENEWAL of this NOA shall be considered after a renewal application has been filed and there has been no change in the applicable building code negatively affecting the performance of this product.

TERMINATION of this NOA will occur after the expiration date or if there has been a revision or change in the materials, use, and/or manufacture of the product or process. Misuse of this NOA as an endorsement of any product, for sales, advertising or any other purposes shall automatically terminate this NOA. Failure to comply with any section of this NOA shall be cause for termination and removal of NOA.

ADVERTISEMENT: The NOA number preceded by the words Miami-Dade County, Florida, and followed by the expiration date may be displayed in advertising literature. If any portion of the NOA is displayed, then it shall be done in its entirety.

INSPECTION: A copy of this entire NOA shall be provided to the user by the manufacturer or its distributors and shall be available for inspection at the job site at the request of the Building Official.

This NOA **revises NOA # 23-0908.08** and consists of this page 1 and evidence pages E-1, E-2, E-3 and E-4, as well as approval document mentioned above.

The submitted documentation was reviewed by **Sifang Zhao, P.E.**



S.Z.
 09/05/2024

NOA No. 24-0117.09
Expiration Date: April 20, 2027
Approval Date: August 29, 2024

NOTICE OF ACCEPTANCE: EVIDENCE SUBMITTED

1. Evidence submitted under previous NOA's

A. DRAWINGS *"Submitted under NOA # 15-0612.16"*

1. Drawing No. **KAY0001**, titled "Vinyl PVC Soffit D510" and T4 12" Vented", sheets 1 through 4 of 4, dated 12/27/2011, with revision 2 dated 03/17/2015, prepared by the manufacturer, signed and sealed by Robert J. Amoruso, P.E.

B. TESTS *"Submitted under NOA # 17-0404.04"*

1. Test report on Wind Driven Rain Resistance Test per TAS 100(A) of Model D5 10" and T4 12" Vinyl Vented Soffit, prepared by Fenestration Testing Laboratory, Inc., Test Report No. **9458**, dated 03/28/2017, signed and sealed by Idalmis Ortega, P.E.

"Submitted under NOA # 05-0804.03"

	Test Report No.	Standard	Date	Signature
2.	AT-55983.01-106-18	ASTM D3679	01/03/06	Joseph A. Reed, P.E.
3.	AT-55983.01-106-18	ASTM G155	01/03/06	Joseph A. Reed, P.E.
4.	AT-55983.01-106-18	ASTM D638	01/03/06	Joseph A. Reed, P.E.
5.	AT-55983.01-106-18	ASTM D2843	01/03/06	Joseph A. Reed, P.E.
6.	AT-55983.01-106-18	ASTM D1929	01/03/06	Joseph A. Reed, P.E.
7.	AT-55983.01-106-18	ASTM D635	01/03/06	Joseph A. Reed, P.E.
8.	AT-55981.02-122-18	PA 202 & 203	07/15/05	S. A. Urich, P.E.

C. CALCULATIONS *"Submitted under NOA # 12-0124.04"*

1. Anchor calculations prepared by PTC Product Design Group, LLC, dated 12/27/2011, signed and sealed by Robert J. Amoruso, P.E.
2. Fastener Installation Analysis, sheets 1 through 3, dated 07/27/2005, Project No. **05020010** signed and sealed by Allen N. Reeves, P.E. ***"Submitted under NOA # 05-0804.03"***

D. QUALITY ASSURANCE

1. Miami-Dade Department of Regulatory and Economic Resources (RER)

E. MATERIAL CERTIFICATIONS

1. None.

F. STATEMENTS *"Submitted under NOA # 15-0612.16"*

1. Statement letter of code conformance to 5th edition (2014) FBC and of no financial interest, prepared by PTC Product Design Group, LLC, dated 03/17/2015, signed and sealed by Robert J. Amoruso, P.E.

"Submitted under NOA # 12-0124.04"

2. Statement letter of code conformance to 2010 FBC and no financial interest, prepared by PTC Product Design Group, LLC, dated 01/19/2012, signed and sealed by Robert J. Amoruso, P.E.

"Submitted under NOA # 11-0316.01"

3. Distributor agreement dated 04/25/2011.



Sifang Zhao, P.E.
Product Control Examiner
NOA No. 24-0117.09
Expiration Date: April 20, 2027
Approval Date: August 29, 2024

NOTICE OF ACCEPTANCE: EVIDENCE SUBMITTED

2. Evidence submitted under NOA # 17-1221.32

A. DRAWINGS

1. Drawing No. **KAY0001**, titled “Vinyl PVC Soffit D5 10” and T4 12” Vented”, sheets 1 through 4 of 4, dated 12/27/2011, dated 09/22/2010, with revision **3** dated 12/01/2017, prepared by PTC, LLC, signed and sealed by Robert J. Amoruso, P.E.

B. TESTS

1. None.

C. CALCULATIONS

1. None.

D. QUALITY ASSURANCE

1. Miami-Dade Department of Regulatory and Economic Resources (RER)

E. MATERIAL CERTIFICATIONS

1. None.

F. STATEMENTS

1. Statement letter of code conformance to 6th edition (2017) FBC and of no financial interest, prepared by PTC Product Design Group, LLC, dated 12/01/2017, signed and sealed by Robert J. Amoruso, P.E.



Sifang Zhao, P.E.
Product Control Examiner
NOA No. 24-0117.09
Expiration Date: April 20, 2027
Approval Date: August 29, 2024

NOTICE OF ACCEPTANCE: EVIDENCE SUBMITTED

3. Evidence submitted under NOA # 20-1013.09

A. DRAWINGS

1. Drawing No. **KAY0001**, titled “Vinyl PVC Soffit D5 10” and T4 12” Vented”, sheets 1 through 4 of 4, dated 12/27/2011, with revision 4 dated 09/30/2020, prepared by PTC, LLC, signed and sealed by Robert J. Amoruso, P.E.

B. TESTS

1. None.

C. CALCULATIONS

1. None.

D. QUALITY ASSURANCE

1. Miami-Dade Department of Regulatory and Economic Resources (RER).

E. MATERIAL CERTIFICATIONS

1. None.

F. STATEMENTS

1. Statement letter of code conformance to the 7th edition (2020) of the FBC and of no financial interest, prepared by PTC Product Design Group, LLC, dated 09/30/2020, signed and sealed by Robert J. Amoruso, P.E.
2. Testing contract letter issued by Molimo LLC, dated 01/19/2021, signed by Michael D. Stremmel, P.E.



Sifang Zhao, P.E.
Product Control Examiner
NOA No. 24-0117.09
Expiration Date: April 20, 2027
Approval Date: August 29, 2024

NOTICE OF ACCEPTANCE: EVIDENCE SUBMITTED

4. Evidence submitted under NOA # 22-0202.03 and new

A. DRAWINGS

1. Drawing No. KAY0001, titled “Vinyl PVC Soffit D5 10” and T4 12” Vented”, sheets 1 through 5 of 5, dated 06/21/2024, with revision 7 dated 06/21/2024, prepared by PTC, LLC, signed and sealed by Robert J. Amoruso, P.E.

B. TESTS (*Submitted under NOA # 22-0202.03*)

1. Test reports on 1) Uniform Static Air Pressure Test, Loading per FBC TAS 202-94
2) Cyclic Wind Pressure Loading per FBC, TAS 203-94
along with marked-up drawings and installation diagram of Model D5 10” PVC Vented Soffit, by Molimo Architectural Product Testing, Report No. **11062.01-106-14**, dated 01/05/2022, signed and sealed by Michael D. Stremmel, P.E.
2. Test reports on 1) Uniform Static Air Pressure Test, Loading per FBC TAS 202-94
2) Cyclic Wind Pressure Loading per FBC, TAS 203-94
along with marked-up drawings and installation diagram of Model D5 10” PVC Vented Soffit, by Molimo Architectural Product Testing, Report No. **2847.01-106-11**, dated 04/14/2021, signed and sealed by Michael D. Stremmel, P.E.
3. Test reports on 1) Uniform Static Air Pressure Test, Loading per FBC TAS 202-94
2) Cyclic Wind Pressure Loading per FBC, TAS 203-94
along with marked-up drawings and installation diagram of Model T4 12” PVC Vented Soffit, by Molimo Architectural Product Testing, Report No. **11062.02-106-14-R1**, dated 01/10/2022, signed and sealed by Michael D. Stremmel, P.E.
4. Test reports on 1) Uniform Static Air Pressure Test, Loading per FBC TAS 202-94
2) Cyclic Wind Pressure Loading per FBC, TAS 203-94
along with marked-up drawings and installation diagram of Model T4 12” PVC Vented Soffit, by Molimo Architectural Product Testing, Report No. **2847.02-106-11**, dated 04/14/2021, signed and sealed by Michael D. Stremmel, P.E.

C. CALCULATIONS

1. Anchor calculations prepared by PTC, LLC, dated 01/18/2022, signed and sealed by Robert J. Amoruso, P.E. (*Submitted under NOA # 22-0202.03*)

D. QUALITY ASSURANCE

1. Miami-Dade Department of Regulatory and Economic Resources (RER).

E. MATERIAL CERTIFICATIONS

1. None.

F. STATEMENTS

1. Statement letter of code conformance to the 8th edition (2023) of the FBC and of no financial interest, issued by PTC Product Design Group, LLC, dated 08/31/2023, signed and sealed by Robert J. Amoruso, P.E.
2. Distributor Agreement, between manufacturer Kaycan Ltd., Cowansville, Quebec, Canada and Kaycan Ltd., Richford, VT, USA (Distributor) dated 05/15/2024, signed by Jean-Jarques Bourhis, General Manager and Stacey White, Site Manager, on behalf of their respective companies. (*Submitted under NOA # 24-0117.09*)



Sifang Zhao, P.E.
Product Control Examiner
NOA No. 24-0117.09
Expiration Date: April 20, 2027
Approval Date: August 29, 2024

KAYCAN LTD

VINYL PVC SOFFIT D5 10" AND T4 12" - VENTED INSTALLATION ANCHORAGE DETAILS

GENERAL NOTES:

- THIS PRODUCT HAS BEEN TESTED AND DESIGNED TO COMPLY WITH THE 8TH EDITION (2023) FLORIDA BUILDING AND RESIDENTIAL CODES INCLUDING THOSE SECTIONS OF THE FBC PERTAINING TO THE HIGH VELOCITY HURRICANE ZONE (HVHZ) AT THE DESIGN PRESSURE(S) STATED HEREIN. THE PRODUCT WAS TESTED TO TAS-202 AND TAS-203. IMPACT TESTING TO TAS-201 IS NOT REQUIRED FOR SOFFIT. STRUCTURAL TEST RESULTS BASED ON TAS 202 WERE DIVIDED BY 1.5 AS REQUIRED BY THE 8TH EDITION (2023) FLORIDA BUILDING AND RESIDENTIAL CODES.
- THE PRODUCT DETAILS CONTAINED HEREIN ARE BASED UPON SIGNED AND SEALED ARCHITECTURAL TESTING REPORT #11062.01-106-14 & 2847.01-106-11 FOR THE D5 10" VENTED SOFFIT AND TEST REPORT #11062.02-106-14-R1 & 2847.02-106-11 FOR THE T4 12" VENTED SOFFIT; INCLUDING ASSOCIATED LABORATORY STAMPED DRAWINGS.
- ADEQUACY OF THE EXISTING STRUCTURAL CONCRETE, MASONRY AND WOOD FRAMING COMPRISING THE ATTACHMENT SUBSTRATE FOR THE SOFFIT SHALL BE DETERMINED TO BE CAPABLE OF WITHSTANDING AND TRANSFERRING APPLIED PRODUCT LOADS TO THAT STRUCTURE AND IS THE RESPONSIBILITY OF THE ARCHITECT OR ENGINEER OF RECORD FOR THE PROJECT.
- OVERHANG RECEIVING VINYL SOFFIT SHALL BE CHECKED FOR STRUCTURAL INADEQUACY, CRACKS OR DEFECTS THAT SHALL BE ELIMINATED.
- INSTALLATION OF SOFFIT ACCESSORIES AND ACCESSORIES SUCH AS CORNER POSTS, STARTER STRIPS AND TRIM AROUND OPENINGS SHALL BE DONE IN ACCORDANCE WITH THE 8TH EDITION (2023) FLORIDA BUILDING CODE - BUILDING AND RESIDENTIAL VOLUMES AND THE MANUFACTURER'S INSTRUCTIONS.
- SITE CONDITIONS THAT DEVIATE FROM THE DETAILS OF THIS DRAWING REQUIRE FURTHER ENGINEERING EVALUATION BY A LICENSED ENGINEER OR REGISTERED ARCHITECT
- LABELED IN ACCORDANCE WITH THE 8TH EDITION (2023) FLORIDA BUILDING CODE - BUILDING AND RESIDENTIAL VOLUMES.
- SOFFIT NET FREE AREA IN ACCORDANCE WITH THE 8TH EDITION (2023) FLORIDA BUILDING CODE - BUILDING AND RESIDENTIAL VOLUMES.
 - DOUBLE 5 10" SOFFIT
 - 5.17 SQ INCH/LINEAL FT.
 - TRIPLE 4 12" SOFFIT
 - 4.18 SQ INCH/LINEAL FT.

INSTALLATION NOTES:

- ANCHORS SHALL BE THE TYPE, SIZE, EMBEDMENT AND EDGE DISTANCE SHOWN HEREIN FOR RESPECTIVE SUBSTRATE.
- INSTALLATION ANCHORS SHALL BE AS SHOWN ON THE "BATTEN INSTALLATION" AND "SOFFIT INSTALLATION" SECTIONS ON SHEETS 4 AND 5.
- MINIMUM EMBEDMENT AND EDGE DISTANCE EXCLUDE WALL FINISHES (INCLUDING BUT NOT LIMITED TO STUCCO, FOAM, BRICK VENEER AND SIDING).
- FOR INSTALLATION OF BATTEN TO WOOD STRUCTURE USE #8 x 3" WOOD SCREW OR #8 x 3" TAPPING SCREW. PLACE ONE SCREW PER LOCATION AND MAXIMUM 24" O.C. ALONG BATTEN LENGTH.
- FOR INSTALLATION OF SOFFIT TO BATTEN USE 0.12" (1/8") DIAMETER x 1-1/2" LONG SMOOTH, SCREW OR RING SHANK ROOFING NAIL WITH 7/16" DIAMETER HEAD.
- ALL FASTENERS SHALL HAVE CORROSION RESISTANT COATINGS OR BE MADE OF CORROSION RESISTANT MATERIALS COMPATIBLE WITH THE SUBSTRATE MATERIALS.

VINYL SOFFIT SPECIFICATIONS:

- KAYCAN BUILDING PRODUCTS VINYL SOFFIT IS MANUFACTURED FROM A FORMULATED PVC POWDER COMPOUND MEETING THE SPECIFICATIONS OF ASTM D3679.
 - FASCIA AND F-CHANNEL ARE ALUMINUM.
- T4 12" FULL O SOFFIT - VENTED
 - WALL THICKNESS: 0.038"
 - PANEL LENGTHS: 12' - 0" LONG
 - F-CHANNEL THICKNESS: 0.022"
 - FASCIA THICKNESS: 0.022"
- D5 10" SOFFIT - VENTED
 - WALL THICKNESS: 0.040"
 - PANEL LENGTHS: 12' - 0" LONG
 - F-CHANNEL THICKNESS: 0.022"
 - FASCIA THICKNESS: 0.022"

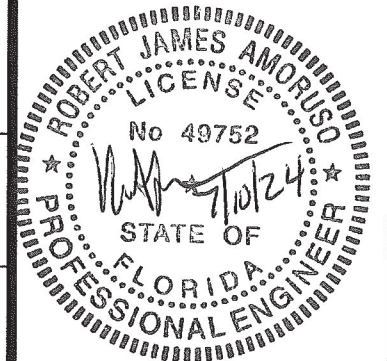
PRODUCT REVISED
as complying with the Florida
Building Code
NOA-No. **24-0117.09**

Expiration Date **04/20/2027**

By 
Miami-Dade Product Control

This document has been digitally signed and sealed by Robert J. Amoruso, PE on the date adjacent to the seal. Printed copies of this document are not considered signed and sealed and the signature must be verified on any electronic copies.

ROBERT J. AMORUSO, P.E.
FLORIDA PE NO. 49752



226 N. NOVA RD., #142
ORMOND BEACH, FL 32174
RJAENGPE@GMAIL.COM

BILL OF MATERIALS

ITEM	DESCRIPTION	MATERIAL
1	D5 10" VENTED SOFFIT	VINYL (PVC)
2	T4 12" FULL O VENTED SOFFIT	VINYL (PVC)
3	F-CHANNEL	ALUMINUM
4	4" FASICA	ALUMINUM
5	0.12" (1/8") DIAMETER x 1-1/2" SMOOTH, SCREW OR RING ROOFING NAIL WITH 7/16" DIA. HEAD. USED TO ATTACH SOFFIT TO BATTEN	STEEL
6	#8 x 3" WOOD SCREW OR #8 x 3" TAPPING SCREW. USED TO ATTACH BATTEN TO WOOD STRUCTURE	STEEL
7	2" x 2" WOOD BATTEN	WOOD

DESIGN PRESSURE (PSF) RATING

SOFFIT MODEL	DESIGN PRESSURE (PSF)
D5 10" VENTED VINYL SOFFIT W/F-CHANNEL	+55.0PSF/-35.0psf
T4 12" VENTED VINYL SOFFIT W/F-CHANNEL	+55.0PSF/-35.0psf

TABLE OF CONTENT

SHEET	DESCRIPTION
1	GENERAL AND INSTALLATION NOTES, B.O.M. AND D.P. CHART
2 & 3	APPROVED SOFFIT PROFILES
4	SOFFIT INSTALLATION AND CROSS SECTION
5	SOFFIT INSTALLATION SECTION AND COMPONENTS

REVISIONS

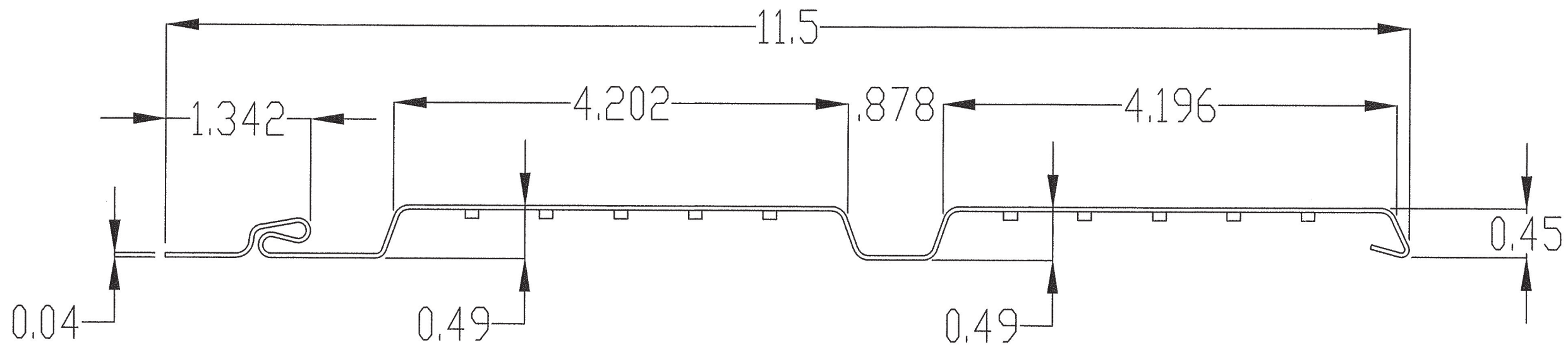
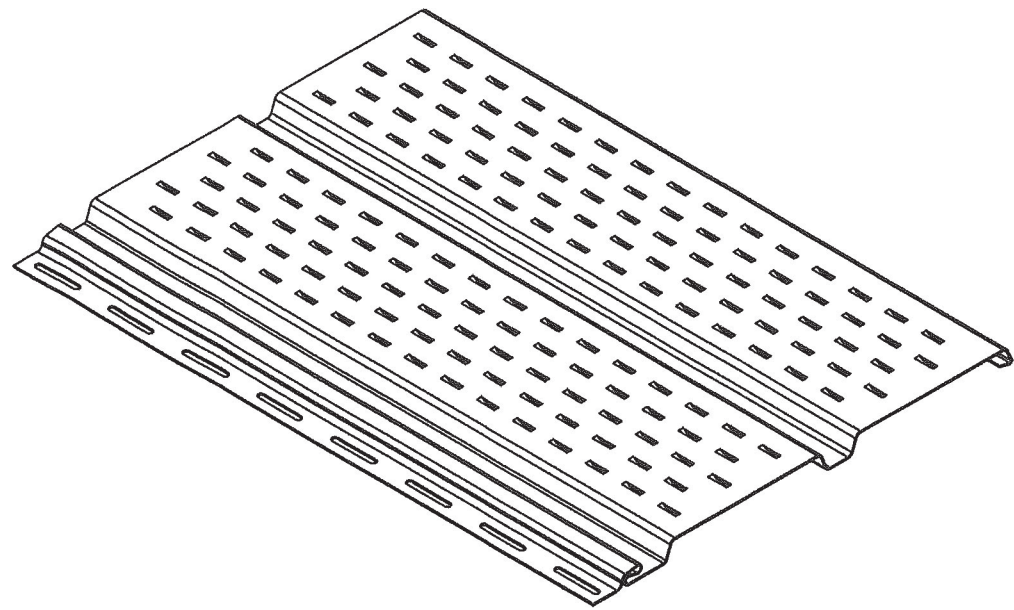
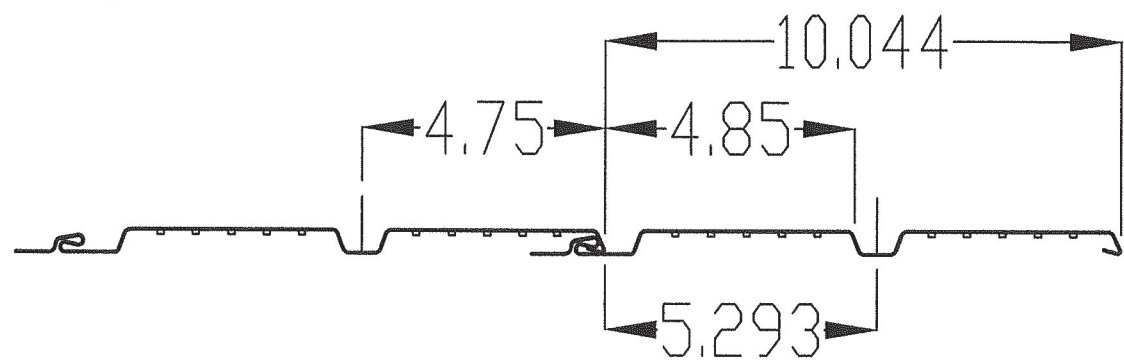
REV.	DESCRIPTION	DATE	BY
7	UPDATE COMPANY NAME AND ADDRESS	6/21/24	RJA

KAYCAN INC

105 INDUSTRIAL BLVD.
COWANSVILLE, QUEBEC, J2K 3G7, CANADA

VINYL PVC SOFFIT D5 10" AND T4 12" - VENTED
GENERAL AND INSTALLATION NOTES, B.O.M.
AND D.P. CHART

DRAWN: RJA	DWG NO. KAY0001	PROJECT NO. ACE-2024-125	REV 7
SCALE NTS	DATE 06/21/2024	SHEET 1 of 5	

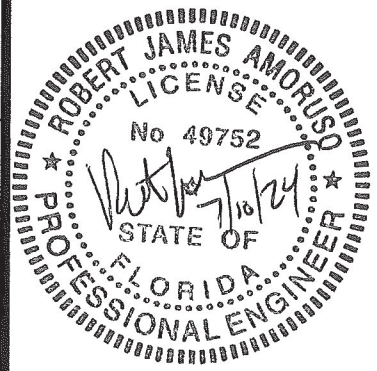


1 D5 10" VENTED VINYL SOFFIT
 EXTRUDED VINYL (PVC) 0.040" THICK

PRODUCT REVISED
 as complying with the Florida
 Building Code
 NOA-No. **24-0117.09**
 Expiration Date **04/20/2027**
 By *[Signature]*
 Miami-Dade Product Control

This document has been digitally signed and sealed by Robert J. Amoruso, PE on the date adjacent to the seal. Printed copies of this document are not considered signed and sealed and the signature must be verified on any electronic copies.

ROBERT J. AMORUSO, P.E.
 FLORIDA PE NO. 49752

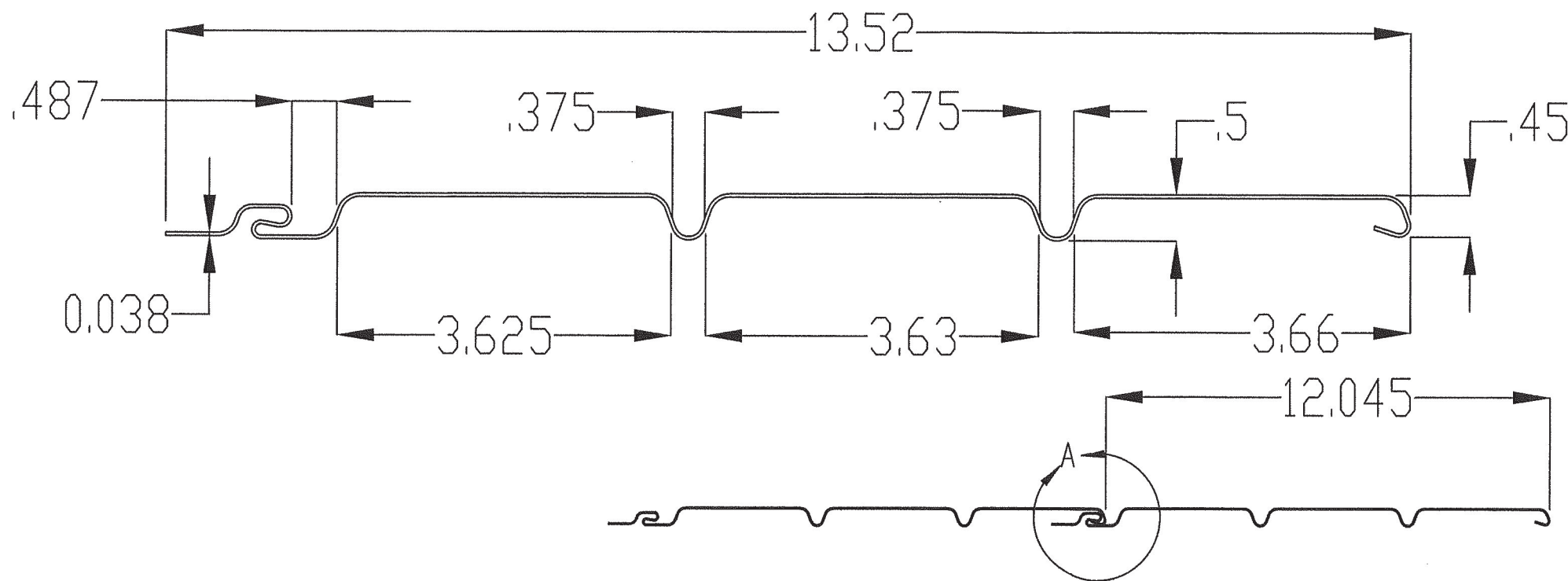
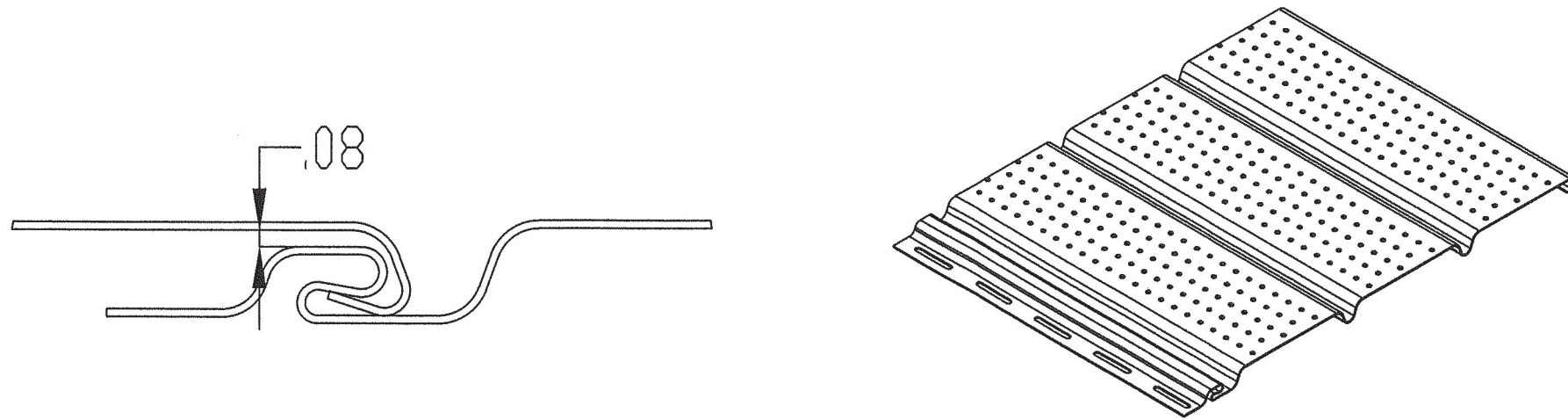


KAYCAN INC
 105 INDUSTRIAL BLVD.
 COWANSVILLE, QUEBEC, J2K 3G7, CANADA
 VINYL PVC SOFFIT D5 10" AND T4 12" - VENTED
 APPROVED SOFFIT PROFILES


REVISIONS			
REV.	DESCRIPTION	DATE	BY
7	UPDATE COMPANY NAME AND ADDRESS	6/21/24	RJA

DRAWN: RJA	DWG NO. KAY0001	PROJECT NO. ACE-2024-125	REV 7
SCALE NTS	DATE 06/21/2024	SHEET 2 of 5	

226 N. NOVA RD., #142
 ORMOND BEACH, FL 32174
 RJAENGPE@GMAIL.COM

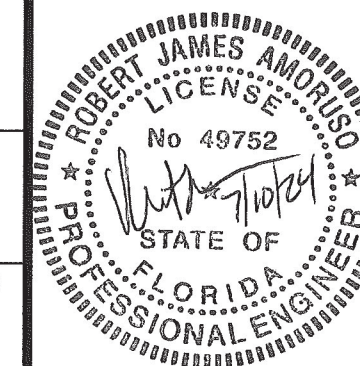


2 T4 12" VENTED VINYL SOFFIT
 EXTRUDED VINYL (PVC) 0.038" THICK

PRODUCT REVISED
 as complying with the Florida
 Building Code
 NOA-No. 24-0117.09
 Expiration Date 04/20/2027
 By 
 Miami-Dade Product Control

This document has been digitally signed and sealed by Robert J. Amoruso, PE on the date adjacent to the seal. Printed copies of this document are not considered signed and sealed and the signature must be verified on any electronic copies.

ROBERT J. AMORUSO, P.E.
 FLORIDA PE NO. 49752

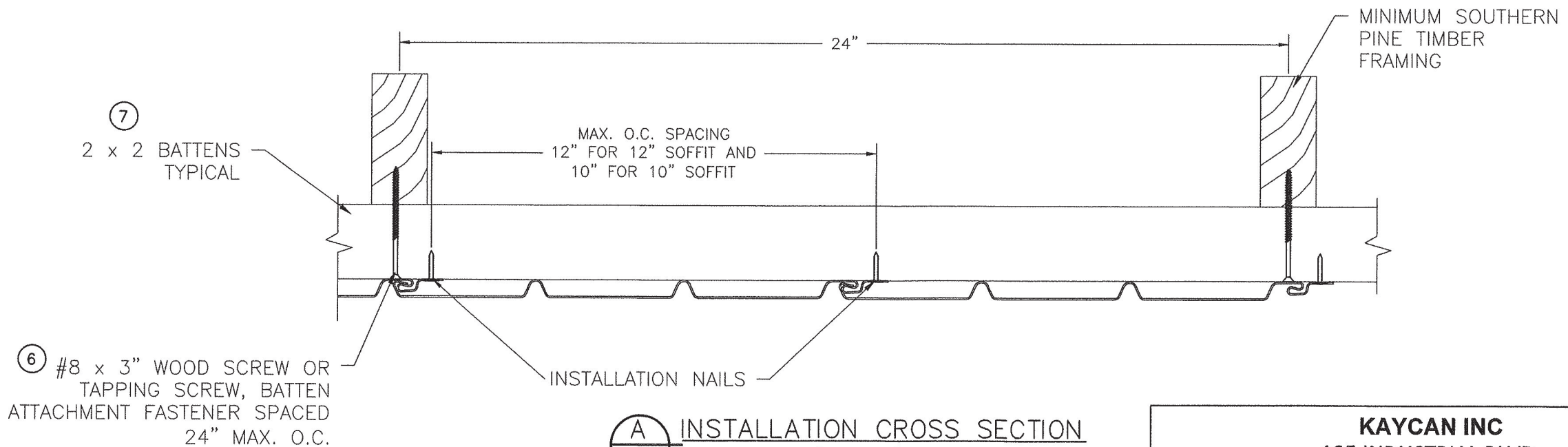
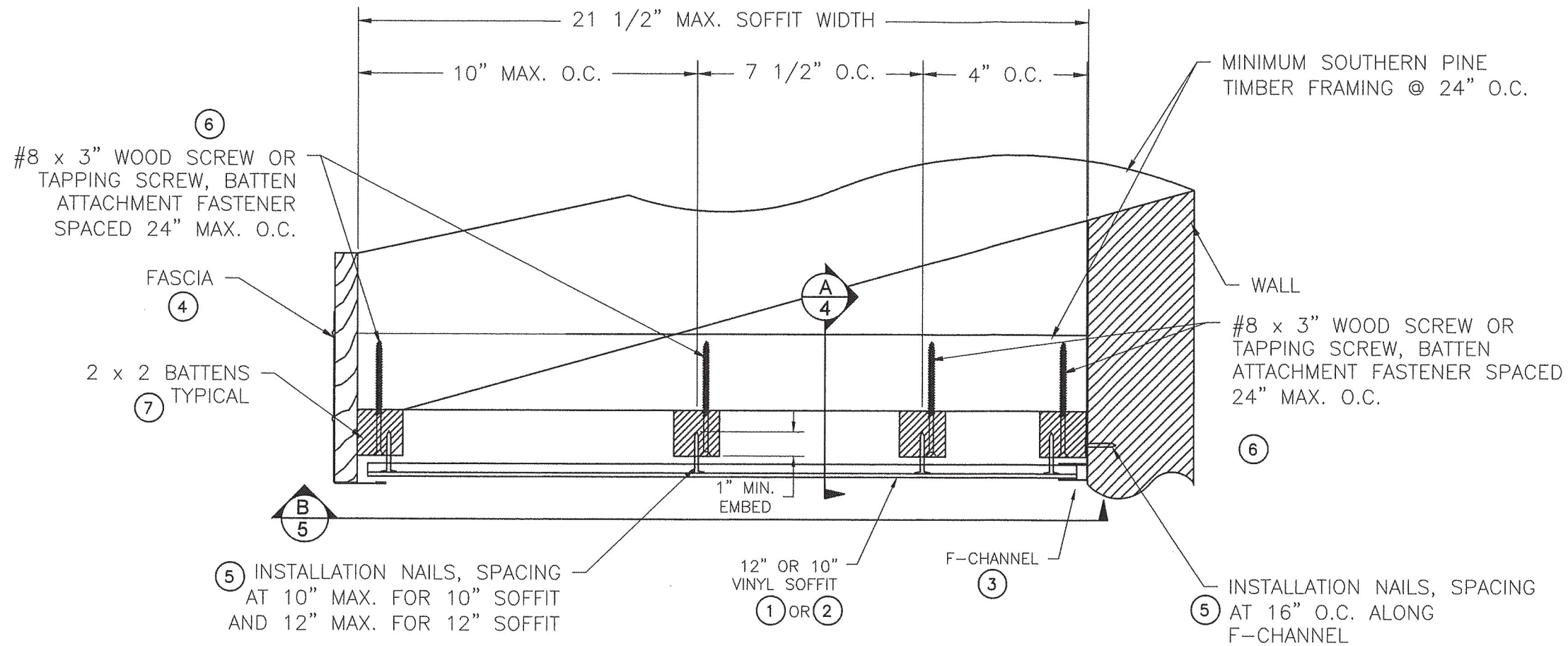


226 N. NOVA RD., #142
 ORMOND BEACH, FL 32174
 RJAENGPE@GMAIL.COM


KAYCAN INC
 105 INDUSTRIAL BLVD.
 COWANSVILLE, QUEBEC, J2K 3G7, CANADA
 VINYL PVC SOFFIT D5 10" AND T4 12" - VENTED
 APPROVED SOFFIT PROFILES

REVISIONS			
REV.	DESCRIPTION	DATE	BY
7	UPDATE COMPANY NAME AND ADDRESS	6/21/24	RJA

DRAWN: RJA	DWG NO. KAY0001	PROJECT NO. ACE-2024-125	REV 7
SCALE NTS	DATE 06/21/2024	SHEET 3 of 5	

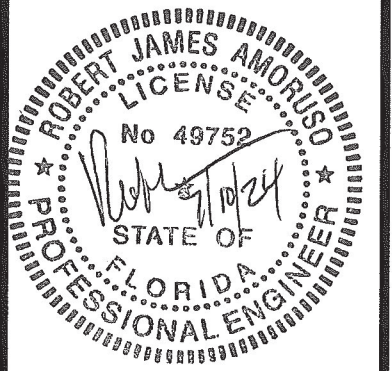


A
4
INSTALLATION CROSS SECTION
10" AND 12" SOFFIT

PRODUCT REVISED
as complying with the Florida Building Code
NOA-No. **24-0117.09**
Expiration Date **04/20/2027**
By 
Miami-Dade Product Control

This document has been digitally signed and sealed by Robert J. Amoruso, PE on the date adjacent to the seal. Printed copies of this document are not considered signed and sealed and the signature must be verified on any electronic copies.

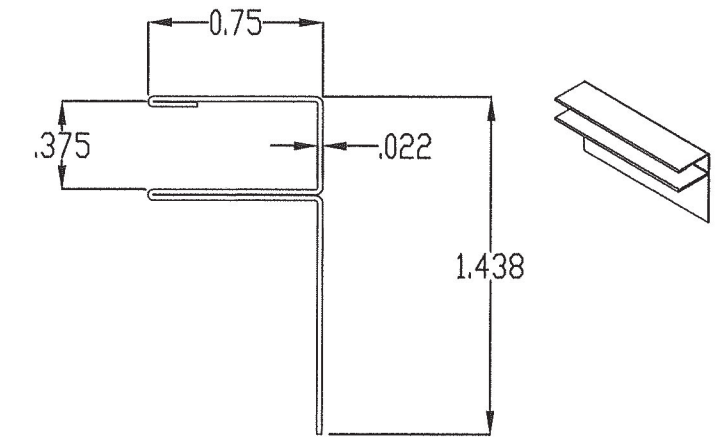
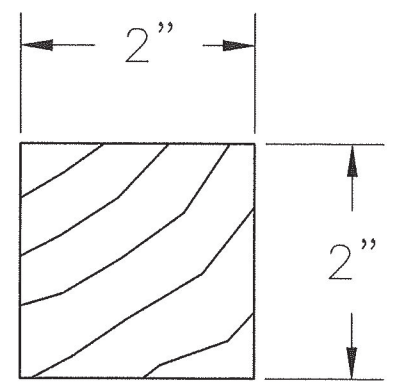
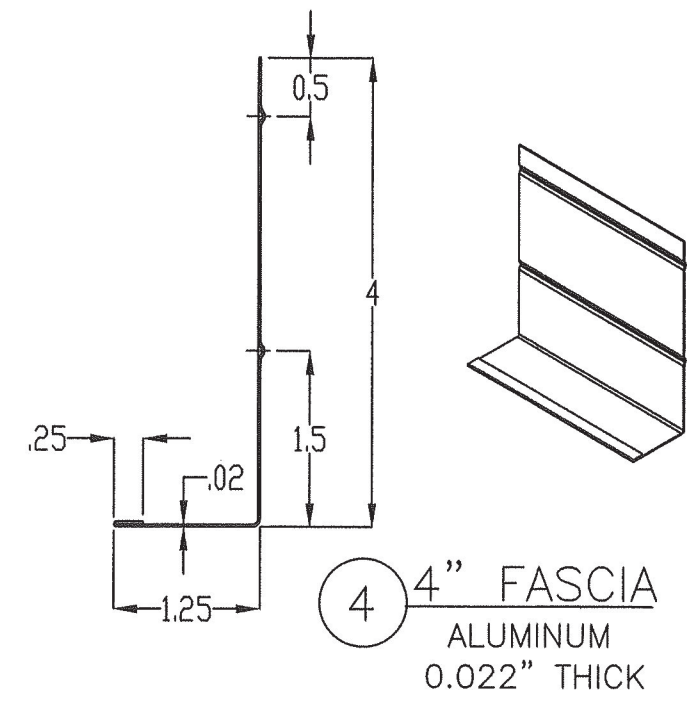
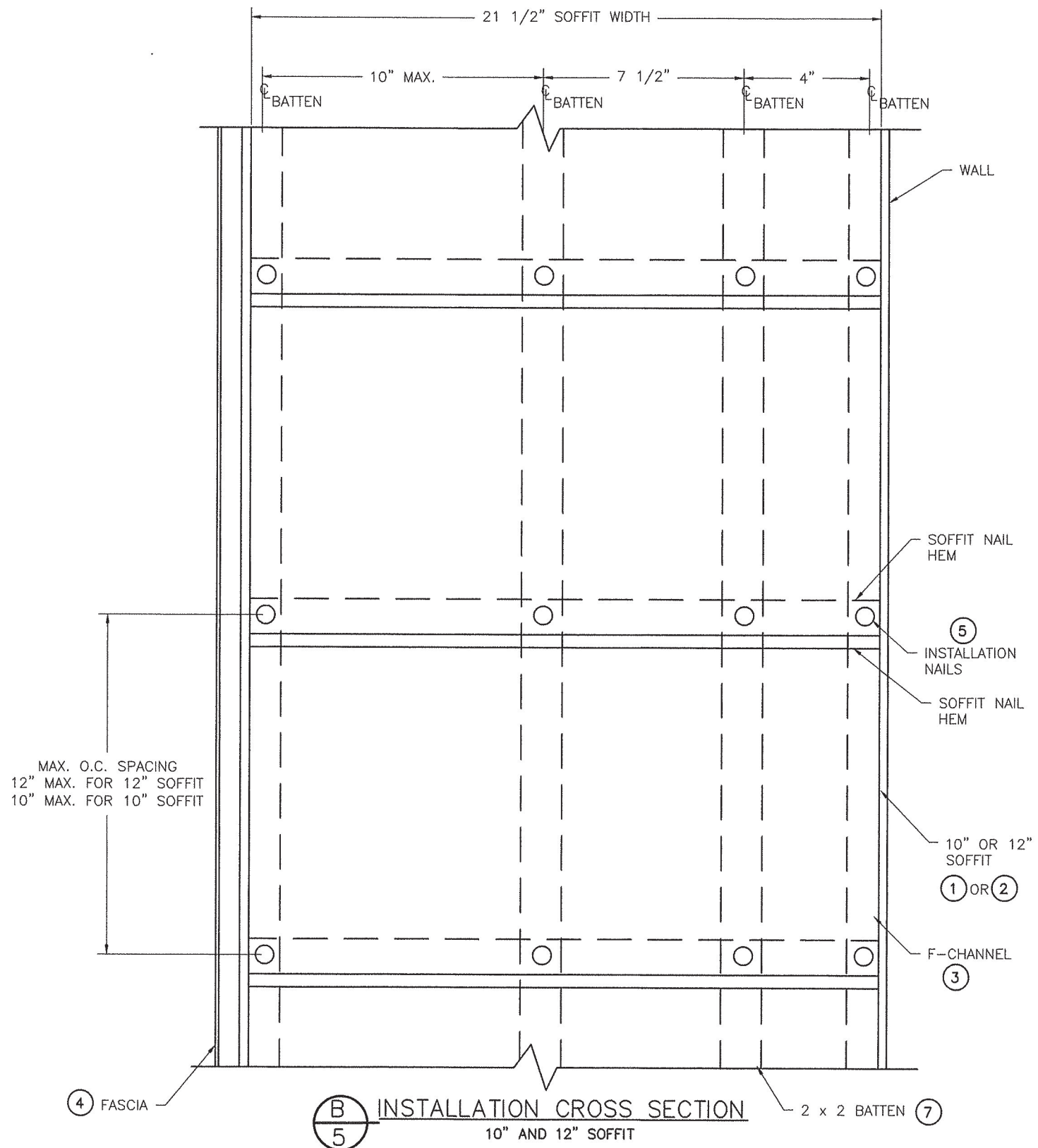
ROBERT J. AMORUSO, P.E.
FLORIDA PE NO. 49752




226 N. NOVA RD., #142
ORMOND BEACH, FL 32174
RJAENGPE@GMAIL.COM

KAYCAN INC
105 INDUSTRIAL BLVD.
COWANSVILLE, QUEBEC, J2K 3G7, CANADA
VINYL PVC SOFFIT D5 10" AND T4 12" - VENTED
SOFFIT INSTALLATION AND CROSS SECTION

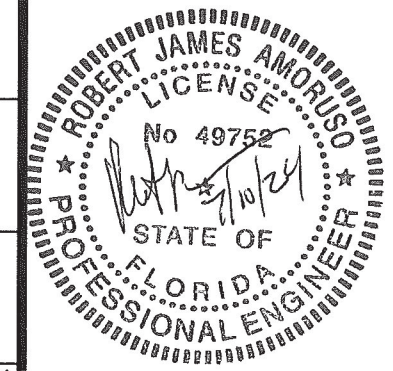
REVISIONS				DRAWN:	DWG NO.	PROJECT NO.	REV
7	UPDATE COMPANY NAME AND ADDRESS	6/21/24	RJA	RJA	KAY0001	ACE-2024-125	7
				SCALE	DATE	SHEET	
				NTS	06/21/2024	4 of 5	



PRODUCT REVISED
as complying with the Florida
Building Code
NOA-No. **24-0117.09**
Expiration Date **04/20/2027**
By 
Miami-Dade Product Control

This document has been digitally signed and sealed by Robert J. Amoruso, PE on the date adjacent to the seal. Printed copies of this document are not considered signed and sealed and the signature must be verified on any electronic copies.

ROBERT J. AMORUSO, P.E.
FLORIDA PE NO. 49752



226 N. NOVA RD., #142
ORMOND BEACH, FL 32174
RJAENGPE@GMAIL.COM

KAYCAN INC
105 INDUSTRIAL BLVD.
COWANSVILLE, QUEBEC, J2K 3G7, CANADA
VINYL PVC SOFFIT D5 10" AND T4 12" - VENTED
SOFFIT INSTALLATION SECTION AND
COMPONENTS

REVISIONS				DRAWN:	DWG NO.	PROJECT NO.	REV
7	UPDATE COMPANY NAME AND ADDRESS	6/21/24	RJA	RJA	KAY0001	ACE-2024-125	7
				SCALE	DATE	SHEET	
				NTS	06/21/2024	5 of 5	