



DEPARTMENT OF REGULATORY AND ECONOMIC RESOURCES (RER)
BOARD AND CODE ADMINISTRATION DIVISION

MIAMI-DADE COUNTY
PRODUCT CONTROL SECTION
11805 SW 26 Street, Room 208
Miami, Florida 33175-2474
T (786) 315-2590 F (786) 315-2599
www.miamidade.gov/economy

NOTICE OF ACCEPTANCE (NOA)

Air Vent, Inc.
4117 Pinnacle Point Drive, Suite 400
Dallas, TX 75211

SCOPE:

This NOA is being issued under the applicable rules and regulations governing the use of construction materials. The documentation submitted has been reviewed and accepted by Miami-Dade County RER - Product Control Section to be used in Miami Dade County and other areas where allowed by the Authority Having Jurisdiction (AHJ).

This NOA shall not be valid after the expiration date stated below. The Miami-Dade County Product Control Section (In Miami Dade County) and/or the AHJ (in areas other than Miami Dade County) reserve the right to have this product or material tested for quality assurance purposes. If this product or material fails to perform in the accepted manner, the manufacturer will incur the expense of such testing and the AHJ may immediately revoke, modify, or suspend the use of such product or material within their jurisdiction. RER reserves the right to revoke this acceptance, if it is determined by Miami-Dade County Product Control Section that this product or material fails to meet the requirements of the applicable building code.

This product is approved as described herein, and has been designed to comply with the Florida Building Code including the High Velocity Hurricane Zone of the Florida Building Code.

DESCRIPTION: Air Vent AirHawk SLA Aluminum Slant Back Static Roof Vent and TRI-BUILT® SLA Slant Back Aluminum Roof Louver

LABELING: Each unit shall bear a permanent label with the manufacturer's name or logo, city, state and following statement: "Miami-Dade County Product Control Approved", unless otherwise noted herein.

RENEWAL of this NOA shall be considered after a renewal application has been filed and there has been no change in the applicable building code negatively affecting the performance of this product.

TERMINATION of this NOA will occur after the expiration date or if there has been a revision or change in the materials, use, and/or manufacture of the product or process. Misuse of this NOA as an endorsement of any product, for sales, advertising or any other purposes shall automatically terminate this NOA. Failure to comply with any section of this NOA shall be cause for termination and removal of NOA.

ADVERTISEMENT: The NOA number preceded by the words Miami-Dade County, Florida, and followed by the expiration date may be displayed in advertising literature. If any portion of the NOA is displayed, then it shall be done in its entirety.

INSPECTION: A copy of this entire NOA shall be provided to the user by the manufacturer or its distributors and shall be available for inspection at the job site at the request of the Building Official.

This NOA renews and revises NOA# 22-1223.07 and consists of pages 1 through 5. The submitted documentation was reviewed by Alex Tigera.



03/28/24

NOA No.: 24-0220.02
Expiration Date: 03/13/29
Approval Date: 03/28/24
Page 1 of 5

ROOFING COMPONENT APPROVAL

Category: Roofing
Sub-Category: Ventilation
Material: Aluminum

TRADE NAMES OF PRODUCTS MANUFACTURED OR LABELED BY APPLICANT:

<u>Product</u>	<u>Dimensions</u>	<u>Test Specification</u>	<u>Product Description</u>
Air Vent AirHawk SLA Aluminum Slant Back Static Roof Vent	20- ³ / ₈ " x 15- ⁷ / ₈ " x 5" Minimum embossed thickness of all vent components: 0.025"	TAS 100(A)	Embossed aluminum static louvered roof ventilation system.
TRI-BUILT® SLA Slant Back Aluminum Roof Louver	20- ³ / ₈ " x 15- ⁷ / ₈ " x 5" Minimum embossed thickness of all vent components: 0.025"	TAS 100(A)	Embossed aluminum static louvered roof ventilation system.

MANUFACTURING LOCATION:

- Dallas, TX

EVIDENCE SUBMITTED:

<u>Test Agency</u>	<u>Test Identifier</u>	<u>Description</u>	<u>Date</u>
Architectural Testing	01-41491.01	TAS 100(A)	07/22/01
	D4155.01-801-18	TAS 100 (A)	06/20/14
	D4155.02-801-18	Calibration Report	07/11/14
PRI Construction Materials Technologies, LLC	123T0014.1	TAS 100 (A)	03/14/24



APPROVED ASSEMBLIES

- Tradename:** Air Vent AirHawk SLA Aluminum Slant Back Static Roof Vent and TRI-BUILT® SLA Slant Back Aluminum Roof Louver
- System Type A:** Mechanical attachment of static vent over composite shingles.
- Cutout:** Vents shall be evenly centered. Center the vent hole between rafters. Vent shall be installed a minimum 18" and a maximum 24" below the ridgeline measured to the closest point of the unit to the ridge. Mark this position. Using marked position as center point scribe a 9" diameter circle. Starting with the drill hole cut vent hole.
- Installation:** Vents should be evenly spaced on the rear slope of the roof.
- Remove roofing nails from top row of shingles so the flashing of the roof vent will slide under shingles. Apply approved roof cement around the edge of the hole. Carefully slide base of vent under shingles with non-louvered, slant back facing the peak of roof. Make sure the throat of the vent is centered over vent hole.
- Fasten the vent's base to roof decking with corrosion resistance annular ring shank nails located 1" from each corner and 1" from the edge at the midpoint between corners of the vent flange for a total of eight nails. (See Air Vent AirHawk SLA Aluminum Slant Back Static Roof Vent and TRI-BUILT® SLA Slant Back Aluminum Roof Louver profile drawings herein.) Nails shall be 0.125" shaft diameter, 0.349" diameter head, and 1 ½" shaft length and of sufficient length to penetrate through the sheathing a minimum 3/16". Seal all seams and nail heads with an approved roofing sealant.
- Ventilation Calculations:** Refer to manufacturer's published literature.
- Minimum Slope:** 3:12

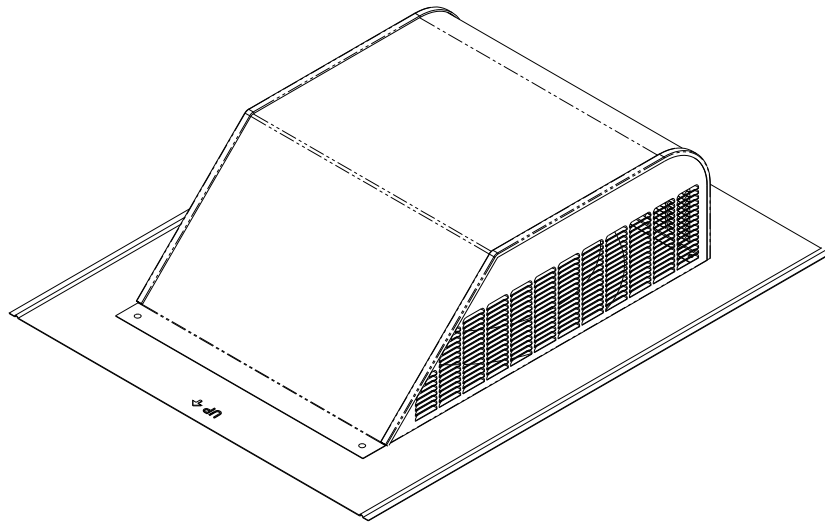
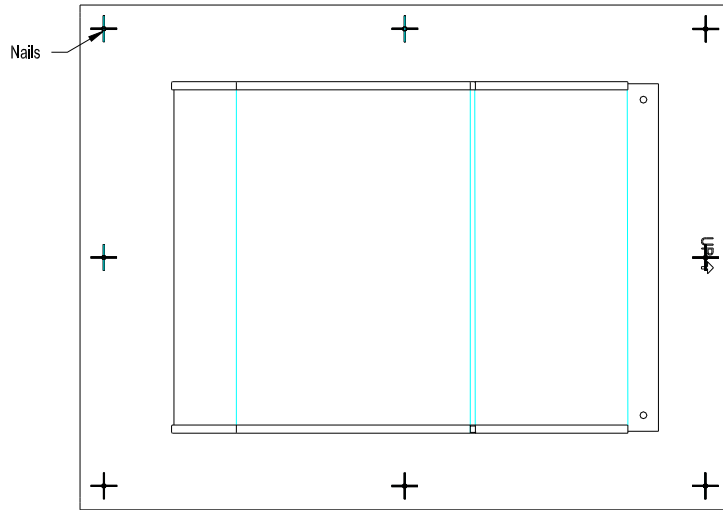
GENERAL LIMITATIONS:

1. Refer to applicable building codes for required ventilation.
2. Air Vent AirHawk SLA Aluminum Slant Back Static Roof Vent and TRI-BUILT® SLA Slant Back Aluminum Roof Louver shall be installed over composition shingles roofs only.
3. Air Vent AirHawk SLA Aluminum Slant Back Static Roof Vent and TRI-BUILT® SLA Slant Back Aluminum Roof Louver shall not be installed on roof mean heights greater than 33 feet.
4. All products listed herein shall have a quality assurance audit in accordance with the Florida Building Code and Rule **61G20-3** of the Florida Administrative Code.
5. All approved products listed herein shall be labeled and shall bear the imprint or identifiable marking of the manufacturer's name or logo, city and state of manufacturing facility, and following statement: "Miami-Dade County Product Control Approved" or the Miami-Dade County Product Control Seal as shown below.

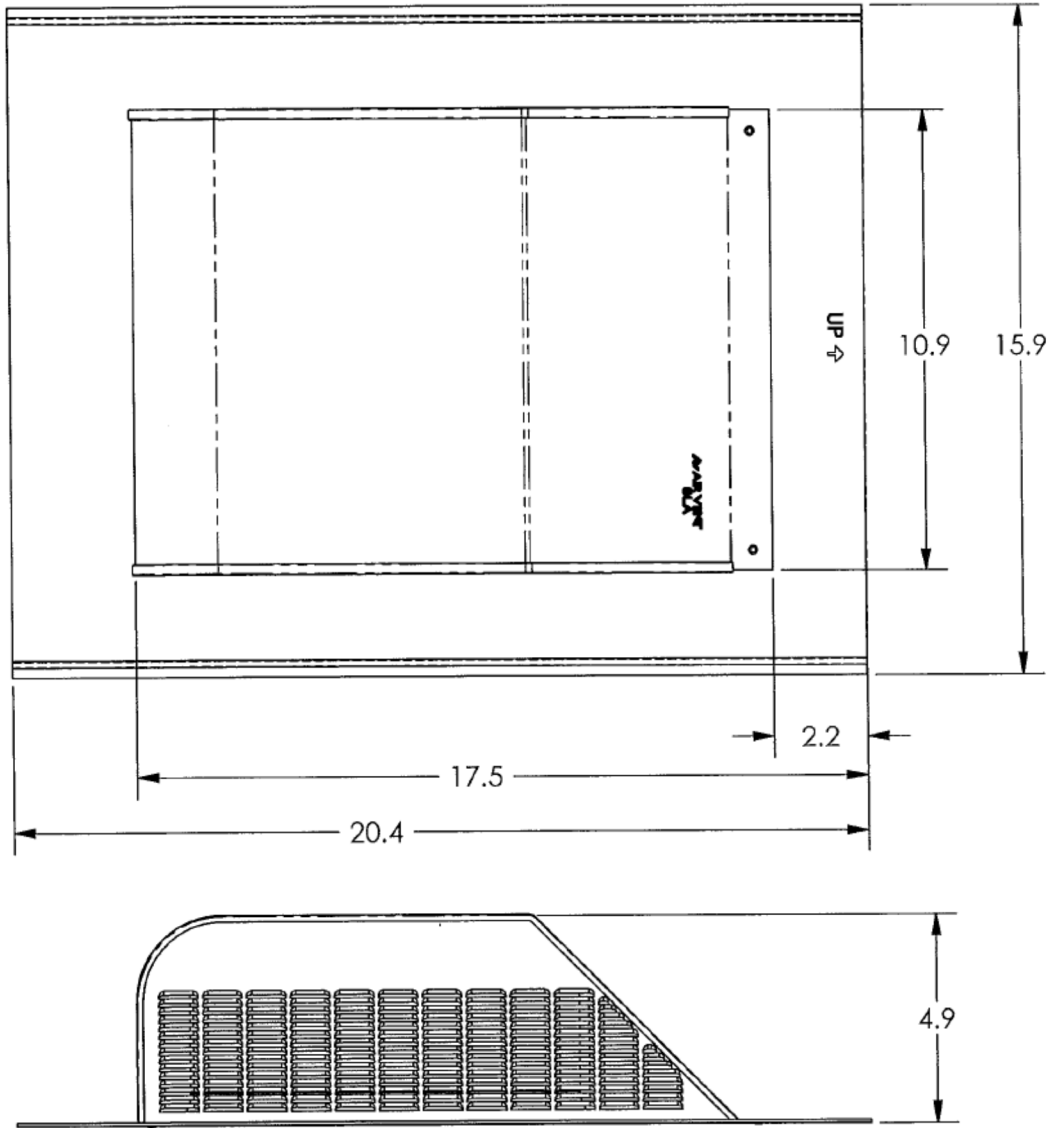


DETAIL A

AIR VENT AIRHAWK SLA ALUMINUM SLANT BACK STATIC ROOF VENT AND TRI-BUILT® SLA SLANT BACK ALUMINUM ROOF LOUVER



DETAIL B



END OF THIS ACCEPTANCE

