



DEPARTMENT OF REGULATORY AND ECONOMIC RESOURCES (RER)  
BOARD AND CODE ADMINISTRATION DIVISION

MIAMI-DADE COUNTY  
PRODUCT CONTROL SECTION  
11805 SW 26 Street, Room 208  
Miami, Florida 33175-2474  
T (786) 315-2590 F (786) 315-2599  
[www.miamidade.gov/economy](http://www.miamidade.gov/economy)

**NOTICE OF ACCEPTANCE (NOA)**

**Enviroshake, Inc.**  
**650 Riverview Drive, P.O. Box 1462**  
**Chatham, ON N7M 5W8**

**SCOPE:**

This NOA is being issued under the applicable rules and regulations governing the use of construction materials. The documentation submitted has been reviewed and accepted by Miami-Dade County RER - Product Control Section to be used in Miami Dade County and other areas where allowed by the Authority Having Jurisdiction (AHJ).

This NOA shall not be valid after the expiration date stated below. The Miami-Dade County Product Control Section (In Miami Dade County) and/or the AHJ (in areas other than Miami Dade County) reserve the right to have this product or material tested for quality assurance purposes. If this product or material fails to perform in the accepted manner, the manufacturer will incur the expense of such testing and the AHJ may immediately revoke, modify, or suspend the use of such product or material within their jurisdiction. RER reserves the right to revoke this acceptance, if it is determined by Miami-Dade County Product Control Section that this product or material fails to meet the requirements of the applicable building code.

This product is approved as described herein, and has been designed to comply with the Florida Building Code including the High Velocity Hurricane Zone of the Florida Building Code.

**DESCRIPTION: Enviroshake® and Enviroplate®**

**LABELING:** Each unit shall bear a permanent label with the manufacturer's name or logo, city, state and following statement: "Miami-Dade County Product Control Approved", unless otherwise noted herein.

**RENEWAL** of this NOA shall be considered after a renewal application has been filed and there has been no change in the applicable building code negatively affecting the performance of this product.

**TERMINATION** of this NOA will occur after the expiration date or if there has been a revision or change in the materials, use, and/or manufacture of the product or process. Misuse of this NOA as an endorsement of any product, for sales, advertising or any other purposes shall automatically terminate this NOA. Failure to comply with any section of this NOA shall be cause for termination and removal of NOA.

**ADVERTISEMENT:** The NOA number preceded by the words Miami-Dade County, Florida, and followed by the expiration date may be displayed in advertising literature. If any portion of the NOA is displayed, then it shall be done in its entirety.

**INSPECTION:** A copy of this entire NOA shall be provided to the user by the manufacturer or its distributors and shall be available for inspection at the job site at the request of the Building Official.

This NOA renews NOA# 22-0913.03 and consists of pages 1 through 6.  
The submitted documentation was reviewed by Alex Tigera.

03/14/24



NOA No. 24-0222.06  
Expiration Date: 12/27/28  
Approval Date: 03/14/24  
Page 1 of 6

## ROOFING ASSEMBLY APPROVAL

<b><u>Category:</u></b>	Roofing
<b><u>Sub-Category:</u></b>	Roofing Slate
<b><u>Materials</u></b>	Plastic
<b><u>Maximum Design Pressure</u></b>	-187.5 psf.

### TRADE NAMES OF PRODUCTS MANUFACTURED OR LABELED BY APPLICANT:

<b><u>Product</u></b>	<b><u>Dimensions</u></b>	<b><u>Test Specifications</u></b>	<b><u>Product Description</u></b>
Enviroshake®	20" long, 12" wide, 1/2" thick on butt end tapered down to 1/8"	TAS 110	Compression molded composite tile designed to resemble cedar shake roofing with "full 12", "5-7 split", "7-5 split", "6-6 split", "4-8 split", "8-4 split" profiles.
Enviroslate®	20" long, 12" wide, 1/2" thick on butt end tapered down to 1/8"	TAS 110	Compression molded composite tile designed to resemble natural slate roofing.

### MANUFACTURING LOCATION:

1. Chatham, Ontario CANADA

### EVIDENCE SUBMITTED:

<b><u>Test Agency</u></b>	<b><u>Test Identifier</u></b>	<b><u>Test Name/Report</u></b>	<b><u>Date</u></b>
PRI Construction Materials Technologies	1611T0009	ASTM D 1929 ASTM D 2843 ASTM D 635	02/10/23
	1611T0001	TAS 125	07/25/19
	1611T0003	ASTM D 3462	03/25/20
	1611T0004	TAS 125	05/06/20
	1611T0005	TAS 100	05/04/20



## APPROVED ASSEMBLIES:

<b>System A:</b>	Enviroshake® or Envirostrate®
<b>Deck Type:</b>	Wood, Non-Insulated
<b>Deck Description:</b>	New Construction 1 <sup>9</sup> / <sub>32</sub> " or greater plywood or wood plank.
<b>Slope Range:</b>	4": 12" or greater
<b>Maximum Uplift Pressure:</b>	<b>-187.5 psf. (See General Limitation #2)</b>

---

**Deck Attachment:** In accordance with applicable Building Code, but in no case shall it be less than #8 x 2" corrosion resistant wood screws.

**Underlayment:** Minimum underlayment shall be an ASTM D 226 Type II installed with a minimum 4" side-laps and 6" end-laps. Underlayment shall be fastened with corrosion resistant tin-caps and 1<sup>1</sup>/<sub>4</sub>" annular ring-shank nails, spaced 6" o.c. at all laps and two staggered rows 12" o.c. in the field of the roll. Or, any Miami-Dade County Product Control Approved underlayment having a current NOA.

**Fire Barrier:** Any approved fire barrier having a current NOA. Refer to a current fire directory listing for fire ratings of this roofing system assembly as well as the location of the fire barrier within the assembly. See Limitation # 1.

**Valleys:** Valley construction shall be in compliance with Roofing Application Standard RAS 130 and with the current published installation instructions and details in Enviroshake Inc.'s Installation Manual.

**Metal Panels and Accessories:** Install the "Enviroshake" or "Envirostrate" panels including flashing penetrations, valleys, end laps and accessories in compliance "Enviroshake Inc.'s" current, published installation instructions and in compliance with the minimum requirements detailed in Roofing Application Standard RAS 130.

Use a double starter course on eave of roof. Install the shakes using four stainless steel 0.134" x 2-1/2" ring shank nails with 3/8" diameter heads at the pre-marked locations on the shake. Ensure that there is a 3/8" gap at the side joints of the shakes. Lay each consecutive row of shakes ensuring that there is no keyway on keyway.



**System B:** Enviroshake® or Envirostrate®  
**Deck Type:** Wood, Non-Insulated  
**Deck Description:** New Construction <sup>19</sup>/<sub>32</sub>" or greater plywood or wood plank.  
**Slope Range:** 4": 12" or greater  
**Maximum Uplift Pressure:** -127.5 psf. (See General Limitation #2)

---

**Deck Attachment:** In accordance with applicable building code, but in no case shall it be less than # 8d annular ring shank nails spaced 6" o.c.

**Underlayment:** Minimum underlayment shall be an ASTM D 226 Type II installed with a minimum 4" side-laps and 6" end-laps. Underlayment shall be fastened with corrosion resistant tin-caps and 1¼" annular ring-shank nails, spaced 6" o.c. at all laps and two staggered rows 12" o.c. in the field of the roll. Or, any Miami-Dade County Product Control Approved underlayment having a current NOA.

**Fire Barrier:** Any approved fire barrier having a current NOA. Refer to a current fire directory listing for fire ratings of this roofing system assembly as well as the location of the fire barrier within the assembly. See Limitation # 1.

**Valleys:** Valley construction shall be in compliance with Roofing Application Standard RAS 130 and with the current published installation instructions and details in Enviroshake Inc.'s Installation Manual.

**Metal Panels and Accessories:** Install the "Enviroshake" or "Envirostrate" panels including flashing penetrations, valleys, end laps and accessories in compliance "Enviroshake Inc.'s" current, published installation instructions and in compliance with the minimum requirements detailed in Roofing Application Standard RAS 130.

Use a double starter course on eave of roof. Install the shakes using four stainless steel 0.13" x 1-1/2" ring shank nails with 3/8" diameter heads at the pre-marked locations on the shake. Ensure that there is a 3/8" gap at the side joints of the shakes. Lay each consecutive row of shakes ensuring that there is no keyway on keyway.



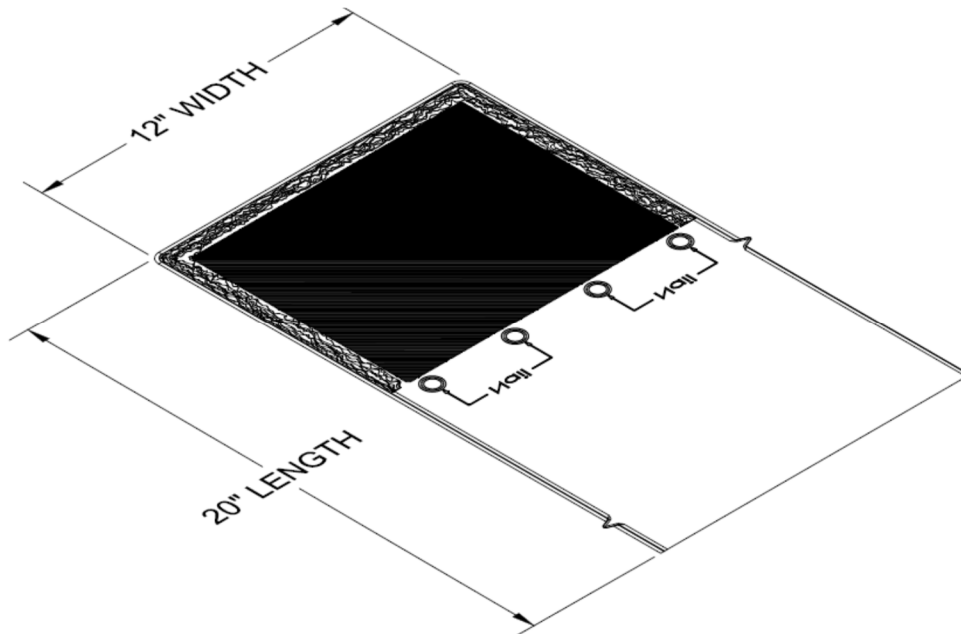
## SYSTEM LIMITATIONS

1. Fire classification is not part of this acceptance; refer to a current Approved Roofing Materials Directory for fire ratings of this product.
2. The maximum designed pressure listed herein shall be applicable to all roof pressure zones (i.e. field, perimeters, and corners). Neither rational analysis, nor extrapolation shall be permitted for enhanced fastening at enhanced pressure zones (i.e. perimeters, extended corners and corners).
3. All shake shall be permanently labeled with the manufacturer's name and/or logo, and the following statement: "Miami-Dade County Product Control Approved" or with the Miami-Dade County Product Control Seal as seen below. All clips shall be permanently labeled with the manufacturer's name and/or logo, and/or model.



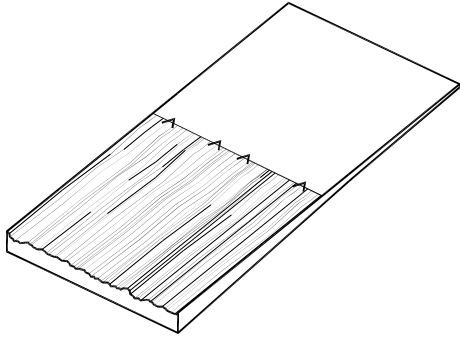
4. All products listed herein shall have a quality assurance audit in accordance with the Florida Building Code and Rule **61G20-3** of the Florida Administrative Code.

### DETAIL A ENVIROSLATE®

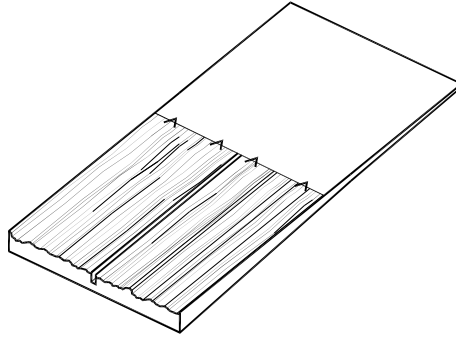


**DETAIL A - CONTINUED**

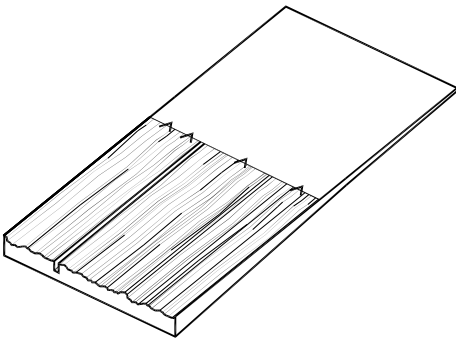
**ENVIROSHAKE®**



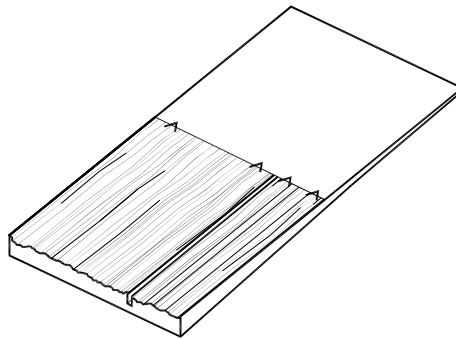
**FULL 12**



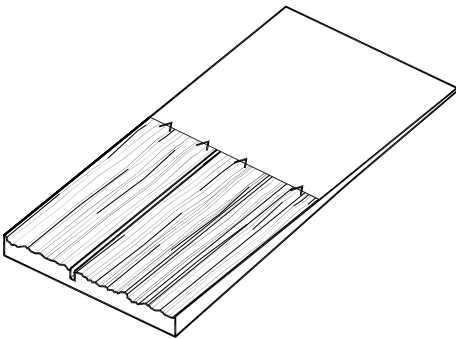
**6-6 SPLIT**



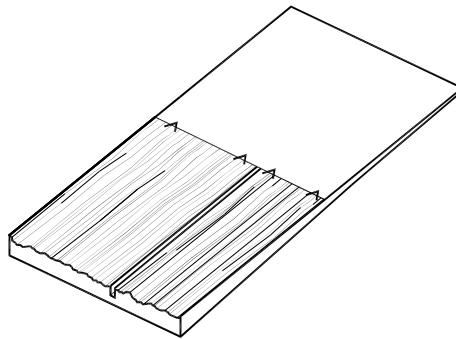
**4-8 SPLIT**



**8-4 SPLIT**



**5-7 SPLIT**



**7-5 SPLIT**

**END OF THIS ACCEPTANCE**

