



DEPARTMENT OF REGULATORY AND ECONOMIC RESOURCES (RER)
BOARD AND CODE ADMINISTRATION DIVISION

MIAMI-DADE COUNTY
PRODUCT CONTROL SECTION
11805 SW 26 Street, Room 208
Miami, Florida 33175-2474
T (786) 315-2590 F (786) 315-2599
www.miamidade.gov/economy

NOTICE OF ACCEPTANCE (NOA)

Roser Co. LTD
400, Nae-Ri, Apryang-Myeon, Gyongsan-Si
Gyongsanbuk-Do, South Korea

SCOPE:

This NOA is being issued under the applicable rules and regulations governing the use of construction materials. The documentation submitted has been reviewed and accepted by Miami-Dade County RER - Product Control Section to be used in Miami Dade County and other areas where allowed by the Authority Having Jurisdiction (AHJ).

This NOA shall not be valid after the expiration date stated below. The Miami-Dade County Product Control Section (In Miami Dade County) and/or the AHJ (in areas other than Miami Dade County) reserve the right to have this product or material tested for quality assurance purposes. If this product or material fails to perform in the accepted manner, the manufacturer will incur the expense of such testing and the AHJ may immediately revoke, modify, or suspend the use of such product or material within their jurisdiction. RER reserves the right to revoke this acceptance, if it is determined by Miami-Dade County Product Control Section that this product or material fails to meet the requirements of the applicable building code.

This product is approved as described herein, and has been designed to comply with the Florida Building Code including the High Velocity Hurricane Zone of the Florida Building Code.

DESCRIPTION: Cleo, Rowood, Roser Bond, Stonewood Shake, Spany and Piano Panels

LABELING: Each unit shall bear a permanent label with the manufacturer's name or logo, city, state and following statement: "Miami-Dade County Product Control Approved", unless otherwise noted herein.

RENEWAL of this NOA shall be considered after a renewal application has been filed and there has been no change in the applicable building code negatively affecting the performance of this product.

TERMINATION of this NOA will occur after the expiration date or if there has been a revision or change in the materials, use, and/or manufacture of the product or process. Misuse of this NOA as an endorsement of any product, for sales, advertising or any other purposes shall automatically terminate this NOA. Failure to comply with any section of this NOA shall be cause for termination and removal of NOA.

ADVERTISEMENT: The NOA number preceded by the words Miami-Dade County, Florida, and followed by the expiration date may be displayed in advertising literature. If any portion of the NOA is displayed, then it shall be done in its entirety.

INSPECTION: A copy of this entire NOA shall be provided to the user by the manufacturer or its distributors and shall be available for inspection at the job site at the request of the Building Official.

This NOA renews NOA # 19-0325.01 and consists of pages 1 through 10.
The submitted documentation was reviewed by Alex Tigera.

03/28/24



NOA: 24-0222.07
Expiration Date: 04/04/29
Approval Date: 03/28/24
Page 1 of 10

ROOFING SYSTEM APPROVAL:

Category:	Roofing
Sub-Category:	Metal, Panels (Non-Structural)
Material:	Steel
Deck Type:	Wood
Maximum Design Pressure:	-156 psf.

TRADE NAMES OF PRODUCTS MANUFACTURED OR LABELED BY APPLICANT:

<u>Product</u>	<u>Dimensions</u>	<u>Test Specifications</u>	<u>Product Description</u>
Cleo Panel	53-1/8" x 14-3/8" Thickness min. 26 ga. Min Tensile Strength: 58ksi	TAS 110	Galvalume steel, stone coated metal panel shingle.
Rowood Panel	52-3/4" x 14-1/2" Thickness min. 26 ga. Min Tensile Strength: 58ksi	TAS 110	Galvalume steel, stone coated metal panel shingle.
Roser Bond Panel	53-1/8" x 14-1/2" Thickness min. 26 ga. Min Tensile Strength: 58ksi	TAS 110	Galvalume steel, stone coated metal panel shingle.
Stonewood Shake Panel	53-1/8" x 14-1/2" Thickness min. 26 ga. Min Tensile Strength: 58ksi	TAS 110	Galvalume steel, stone coated metal panel shingle.
Spany Panel	52-1/8" x 14-3/4" Thickness min. 26ga. Min Tensile Strength: 58ksi	TAS 110	Galvalume steel, stone coated metal panel shingle.
Piano Panel	52-3/4" x 14-3/8" Thickness min. 26ga. Min Tensile Strength: 58ksi	TAS 110	Galvalume steel, stone coated metal panel shingle.

MANUFACTURING LOCATION

1. Gyeongsangbuk-Do, South Korea



EVIDENCE SUBMITTED:

<u>Test Agency</u>	<u>Test Identifier</u>	<u>Test Name/Report</u>	<u>Date</u>
Hurricane Test Laboratory, Inc.	0474-0513-07	TAS 125	07/02/07
	0474-0514-07	TAS 125	07/02/07
PRI Construction Materials	RCL-002-02-01	TAS 100	07/24/07
	RCL-003-02-01	TAS 100	07/24/07
	RCL-001-02-01	ASTM B 117	10/30/06
	RCL-001-02-02	ASTM G 26	08/07/06
	RCL-004-02-01	ASTM B-117	08/22/18
	RCL-004-02-02	ASTM G-155	08/22/18



APPROVED ASSEMBLIES:

System A(1):	Cleo, Rowood, Roser Bond, Stonewood Shake, Spany and Piano Panels.
Deck Type:	Wood, Non-insulated
Deck Description:	New Construction ¹⁹ / ₃₂ " or greater plywood or wood plank, or Re-roof ¹⁵ / ₃₂ " or greater plywood or wood plank.
Slope Range:	2:12 or greater
Maximum Uplift Pressure:	See Fastening Options Below

Deck Attachment:	In accordance with applicable Building Code, but in no case shall it be less than 8d annular ring shank nails spaced 6"o.c. In reroofing, where the deck is less than ¹⁹ / ₃₂ " thick (Minimum ¹⁵ / ₃₂ "") The above attachment method must be in addition to existing attachment.
Underlayment:	Minimum underlayment shall be an ASTM D 226 Type II installed with a minimum 4" side-lap and 6" end-laps. Underlayment shall be fastened with corrosion resistant tin-caps and 12 gauge 1 ¼" annular ring-shank nails, spaced 6"o.c. at all laps and two staggered rows 12"o.c. in the field of the roll. Or, any approved underlayment having a current NOA.
Fire Barrier Board:	Any approved fire barrier having a current NOA. Refer to a current fire directory listing for fire ratings of this roofing system assembly as well as the location of the fire barrier within the assembly. See Limitation # 1.
Valleys:	Valley construction shall be in compliance with Roofing Application Standard RAS 133 and with Roser Co. LTD's current published installation instructions.
Metal Panels and Accessories:	<p>Install the " Cleo, Rowood, Roser Bond, Stonewood Shake, Spany, Piano Panels" and accessories in compliance with Roser Co. LTD's current, published installation instructions and details. Flashings, penetrations, valley construction and other details shall be constructed in compliance with the minimum requirements provided in Roofing Application Standard RAS 133.</p> <p>Panels shall be fastened with corrosion resistant 2-1/4" x ¼" dia. Hex head screws approximately 7"o.c. with a minimum of 8 on the top edge and 8 on the bottom edge. Fasteners listed herein are to be placed on the front of the panel (exposed) and along the back of the panel (concealed). (See detail drawings herein).</p>
Maximum Design Pressure:	-131.75 psf. (See General Limitation #2)



System A(2): Cleo, Rowood, Roser Bond, Stonewood Shake, Spanyol and Piano Panels
Deck Type: Wood, Non-insulated
Deck Description: New Construction ¹⁹/₃₂" or greater plywood or wood plank, or Re-roof ¹⁵/₃₂" or greater plywood or wood plank.
Slope Range: 2:12 or greater
Maximum Uplift Pressure: See Fastening Options Below

Deck Attachment: In accordance with applicable Building Code, but in no case shall it be less than 8d annular ring shank nails spaced 6"o.c. In reroofing, where the deck is less than ¹⁹/₃₂" thick (Minimum ¹⁵/₃₂") The above attachment method must be in addition to existing attachment.

Underlayment: Minimum underlayment shall be an ASTM D 226 Type II installed with a minimum 4" side-lap and 6" end-laps. Underlayment shall be fastened with corrosion resistant tin-caps and 12 gauge 1 1/4" annular ring-shank nails, spaced 6"o.c. at all laps and two staggered rows 12"o.c. in the field of the roll. Or, any approved underlayment having a current NOA.

Fire Barrier Board: Any approved fire barrier having a current NOA. Refer to a current fire directory listing for fire ratings of this roofing system assembly as well as the location of the fire barrier within the assembly. See Limitation # 1.

Valleys: Valley construction shall be in compliance with Roofing Application Standard RAS 133 and with Roser Co. LTD's current published installation instructions.

Battens: Install 1" x 4" (nominal) southern Yellow Pine battens at 14-1/2"o.c. using two (2), 8d x 2-3/8" corrosion resistant ring shank nails spaced 12"o.c.

Metal Panels and Accessories: Install the " Cleo, Rowood, Roser Bond, Stonewood Shake, Spanyol, Piano Panels" and accessories in compliance with Roser Co. LTD's current, published installation instructions and details. Flashings, penetrations, valley construction and other details shall be constructed in compliance with the minimum requirements provided in Roofing Application Standard RAS 133.

Panels shall be fastened with corrosion resistant 2-1/4" x 1/4" dia. Hex head screws approximately 7"o.c. with a minimum of 8 on the bottom edge into the battens. Fasteners listed herein are to be placed on the front of the panel (exposed) through the top lip of the previous panel and into the batten. (See detail drawings herein).

Maximum Design Pressure: -156 psf. (See General Limitation #2)



LIMITATIONS:

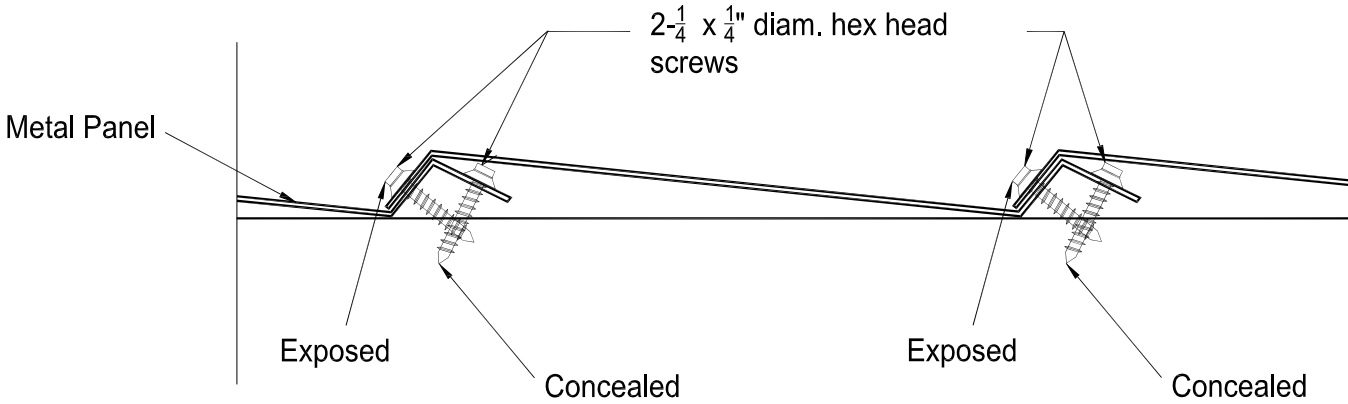
1. Fire classification is not part of this acceptance; refer to a current Approved Roofing Materials Directory for fire ratings of this product.
2. The maximum designed pressure listed herein shall be applicable to all roof pressure zones (i.e. field, perimeters, and corners). Neither rational analysis, nor extrapolation shall be permitted for enhanced fastening at enhanced pressure zones (i.e. perimeters, extended corners and corners).
3. All panels shall be permanently labeled with the manufacturer’s name and/or logo, city and state of manufacturing facility, and the following statement: “Miami-Dade County Product Control Approved” **or** with the Miami-Dade County Product Control Seal as seen below.



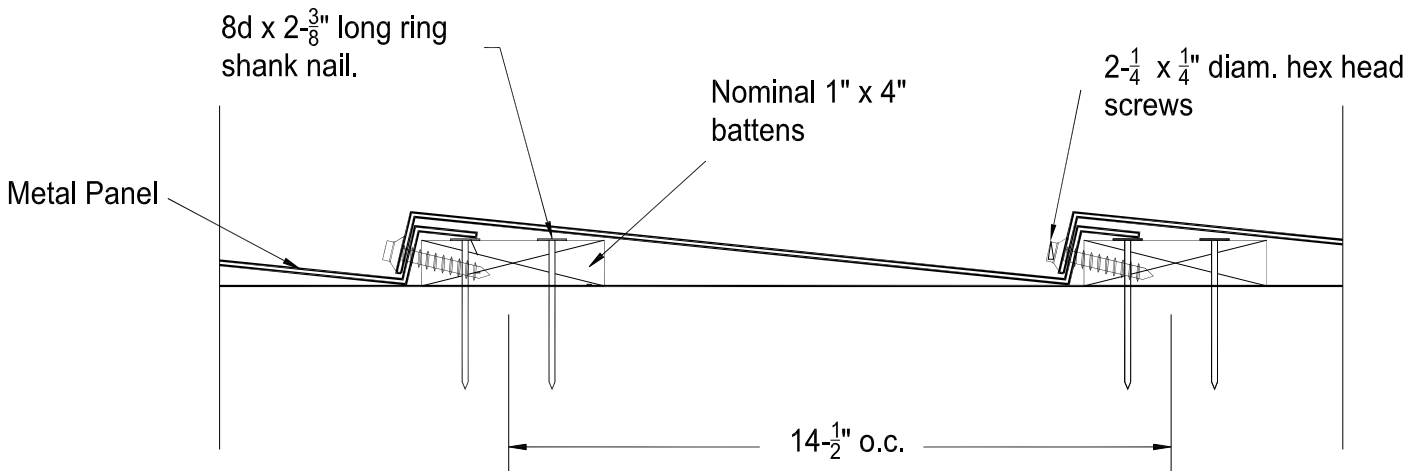
4. All products listed herein shall have a quality assurance audit in accordance with the Florida Building Code and Rule 61G20-3 of the Florida Administrative Code.



PROFILE DRAWINGS:

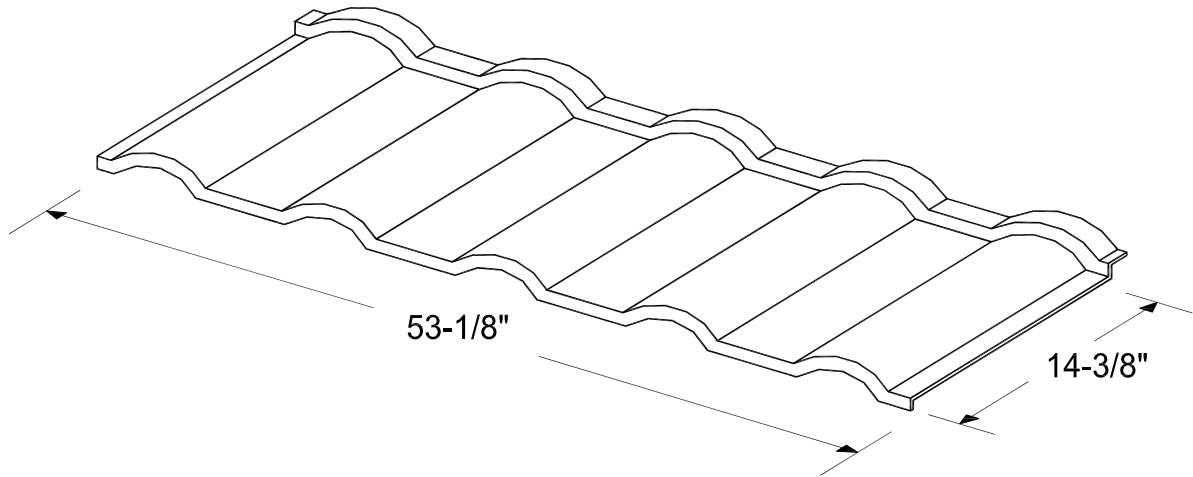


SYSTEM A-1 INSTALLATION DETAIL

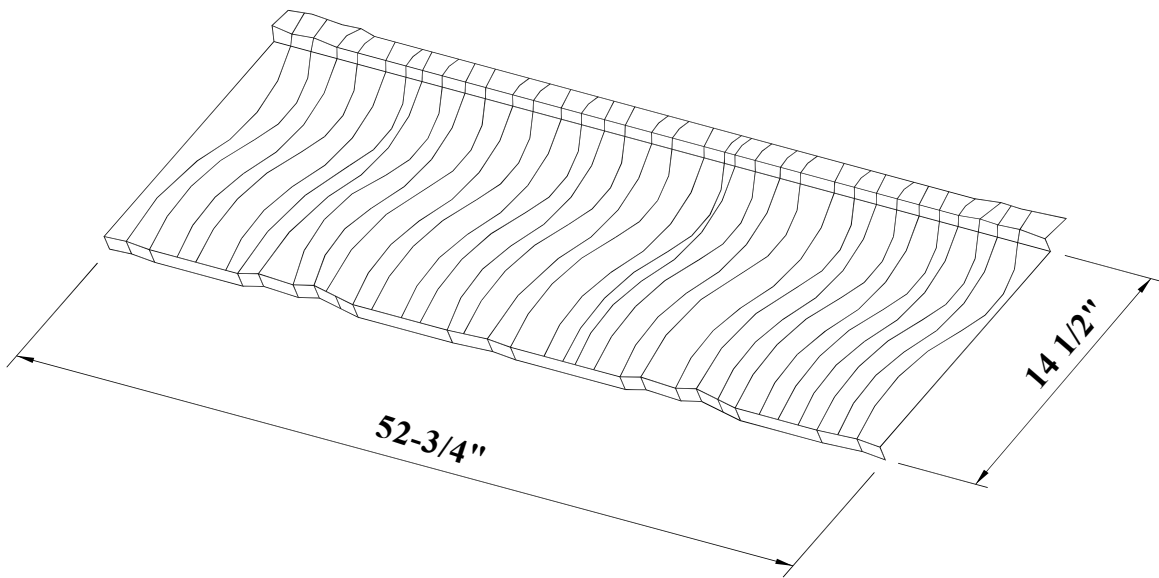


SYSTEM A-2 INSTALLATION DETAIL (WITH BATTENS)

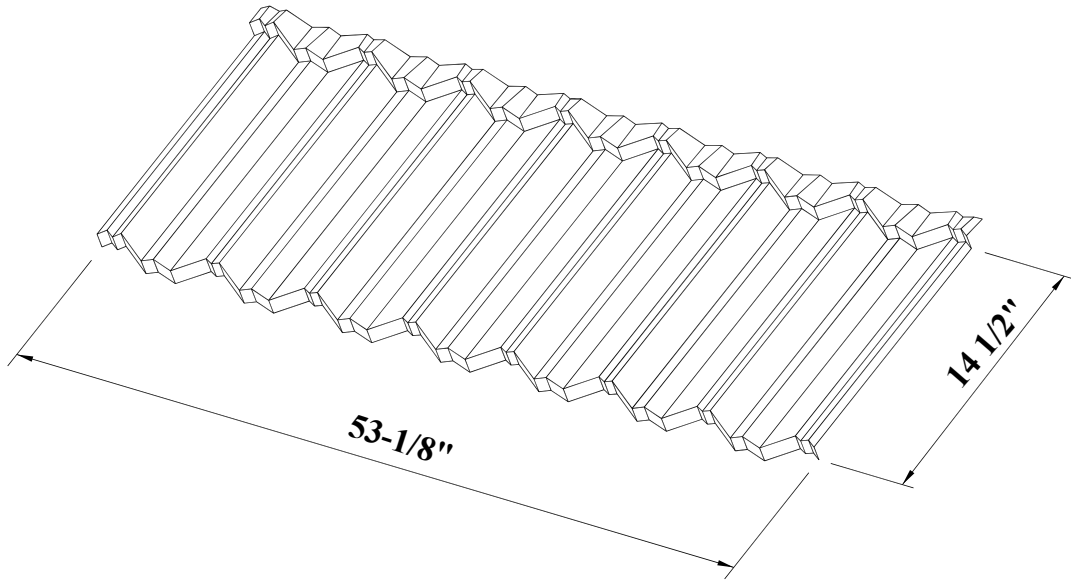




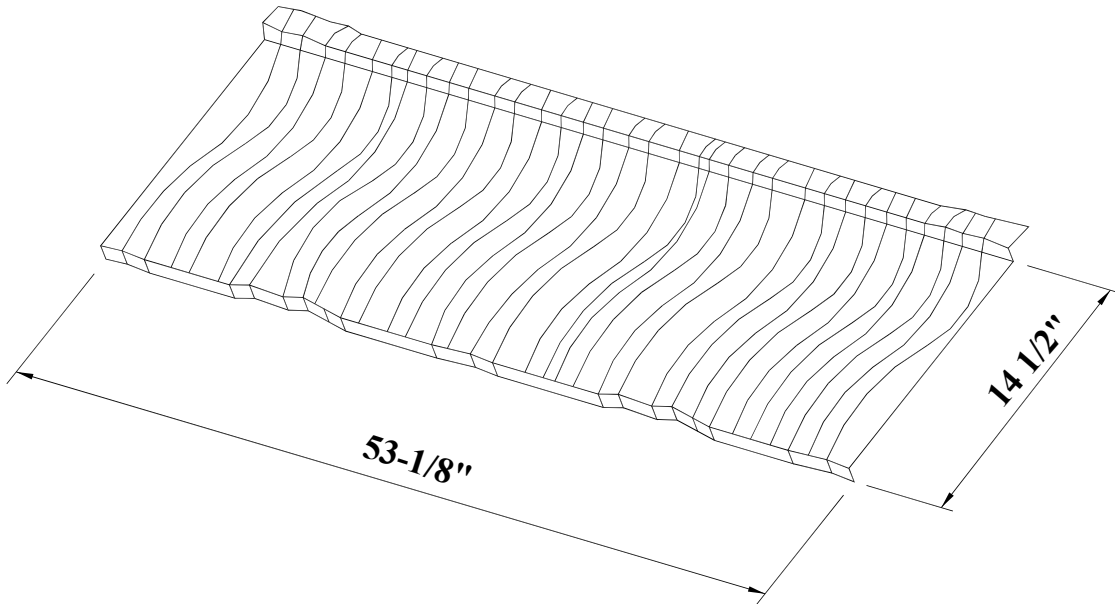
CLEO PANEL



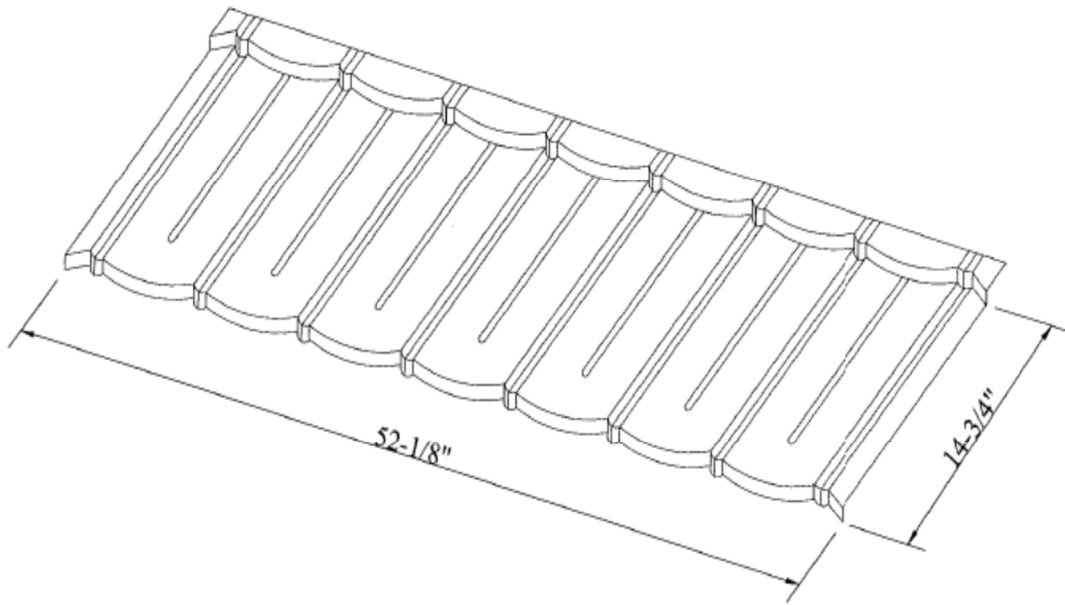
ROWOOD PANEL



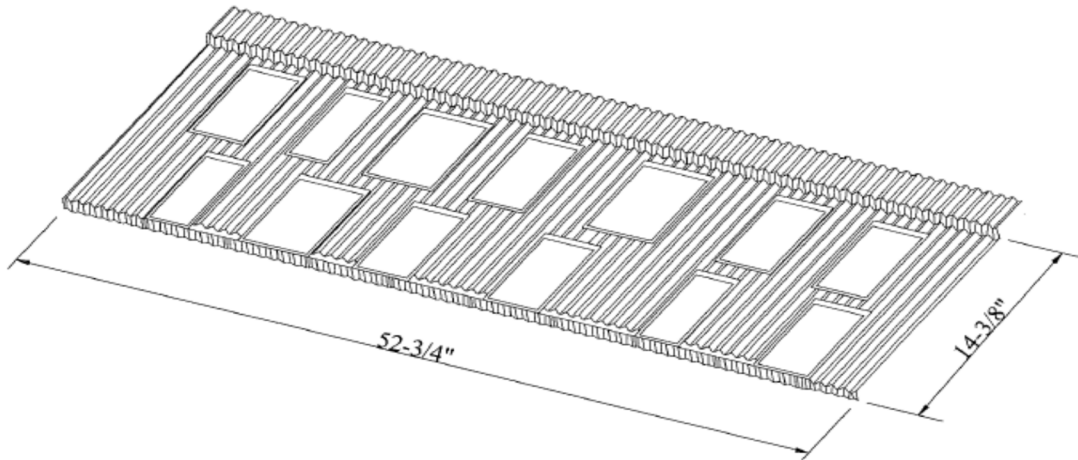
ROSER BOND PANEL



STONEWOOD SHAKE PANEL



SPANY PANEL



PIANO PANEL

END OF THIS ACCEPTANCE