



DEPARTMENT OF REGULATORY AND ECONOMIC RESOURCES (RER)
 BOARD AND CODE ADMINISTRATION DIVISION
NOTICE OF ACCEPTANCE (NOA)

MIAMI-DADE COUNTY
 PRODUCT CONTROL SECTION
 11805 SW 26 Street, Room 208
 Miami, Florida 33175-2474
 T (786) 315-2590 F (786) 315-2599
www.miamidade.gov/building

Loren Cook Company
2015 E. Dale Street
Springfield, MO 65803

SCOPE: This NOA is being issued under the applicable rules and regulations governing the use of construction materials. The documentation submitted has been reviewed and accepted by Miami-Dade County RER-Product Control Section to be used in Miami Dade County and other areas where allowed by the Authority Having Jurisdiction (AHJ).

This NOA shall not be valid after the expiration date stated below. The Miami-Dade County Product Control Section (In Miami Dade County) and/or the AHJ (in areas other than Miami Dade County) reserve the right to have this product or material tested for quality assurance purposes. If this product or material fails to perform in the accepted manner, the manufacturer will incur the expense of such testing and the AHJ may immediately revoke, modify, or suspend the use of such product or material within their jurisdiction. RER reserves the right to revoke this acceptance if it is determined by Miami-Dade County Product Control Section that this product or material fails to meet the requirements of the applicable building code.

This product is approved as described herein and has been designed to comply with the Florida Building Code, including the High Velocity Hurricane Zone.

DESCRIPTION: Model “TCNHBLE” Steel Rooftop Exhaust Fan – L.M.I.

APPROVAL DOCUMENT: Drawing No. **SD140723-05**, titled “TCNHBLE 1x2 for TCNHBLE sizes 100-300”, sheet 1 through 13 of 13, dated 07/22/2014, with revision B dated 02/16/2024, prepared by manufacturer, signed and sealed by Jerry T. Miller, P.E., bearing the Miami-Dade County Product Control Revision stamp with the Notice of Acceptance number and expiration date by the Miami-Dade County Product Control Section.

MISSILE IMPACT RATING: Large and Small Missile Impact Resistant

LABELING: Each unit shall bear a permanent label with the manufacturer’s name or logo, manufacturing address, model number, the positive and negative design pressure rating, indicate impact rated if applicable, installation instruction drawing reference number, approval number (NOA), the applicable test standards, and the statement reading ‘Miami-Dade County Product Control Approved’ is to be located on the door’s side track, bottom angle, or inner surface of a panel.

RENEWAL of this NOA shall be considered after a renewal application has been filed and there has been no change in the applicable building code negatively affecting the performance of this product.

TERMINATION of this NOA will occur after the expiration date or if there has been a revision or change in the materials, use, and/or manufacture of the product or process. Misuse of this NOA as an endorsement of any product, for sales, advertising or any other purposes shall automatically terminate this NOA. Failure to comply with any section of this NOA shall be cause for termination and removal of NOA.

ADVERTISEMENT: The NOA number preceded by the words Miami-Dade County, Florida, and followed by the expiration date may be displayed in advertising literature. If any portion of the NOA is displayed, then it shall be done in its entirety.

INSPECTION: A copy of this entire NOA shall be provided to the user by the manufacturer or its distributors and shall be available for inspection at the job site at the request of the Building Official. This NOA **revises NOA No. 21-0405.12** and consists of this page 1 and evidence page E-1 and E-2, as well as approval document mentioned above.

The submitted documentation was reviewed by **Carlos M. Utrera, P.E.**




 04/10/24

NOA No. 24-0311.08
 Expiration Date: March 12, 2025
 Approval Date: April 18, 2024
 Page 1

NOTICE OF ACCEPTANCE: EVIDENCE SUBMITTED

1. EVIDENCE SUBMITTED UNDER PREVIOUS NOA's

A. DRAWINGS

1. Manufacturer's die drawings and sections.
(Submitted under NOA No. 14-0909.12)
2. Drawing No. **SD140723-05**, titled "TCNHBLE 1x2 for TCNHBLE sizes 100-300", sheets 1 through 13 of 13, dated 07/22/14, with revision A, prepared by manufacturer, signed and sealed by Bradley F. Skidmore, P.E.
(Submitted under NOA No. 14-0909.12)

B. TESTS

1. Test reports on: 1) Uniform Static Air Pressure Test, Loading per FBC TAS 202-94
2) Large Missile Impact Test per FBC, TAS 201-94
3) Lateral Force Test per ASTM E72 (Modified)
4) Tensile Strength Test per ASTM E8
along with marked-up drawings and installation diagram of Models TCNHBLE,100 and 300 rooftop exhaust fans, prepared by Architectural Testing, Inc. Test Report No. **C9440.01-801-18**, dated 01/15/14, signed and sealed by Vinu J. Abraham, P.E.
(Submitted under NOA No. 14-0909.12)

C. CALCULATIONS

1. Wind loads and anchor calculations dated 07/23/14, prepared by manufacturer, signed and sealed by Bradley F. Skidmore, P.E.
(Submitted under NOA No. 14-0909.12)

D. QUALITY ASSURANCE

1. Miami-Dade Department of Regulatory and Economic Resources (RER)

E. MATERIAL CERTIFICATIONS

1. None.

F. STATEMENTS

1. Statement letter of conformance, complying with **FBC 6th Edition (2017)** dated 02/05/20, issued by manufacturer, signed and sealed by Bradley F. Skidmore, P.E.
(Submitted under NOA No. 20-0124.03)
2. Statement letter of no financial interest dated 09/02/14, issued by manufacturer, signed and sealed by Bradley F. Skidmore, P.E.
(Submitted under NOA No. 14-0909.12)



Carlos M. Utrera, P.E.
Product Control Examiner
NOA No. 24-0311.08
Expiration Date: March 12, 2025
Approval Date: April 18, 2024

NOTICE OF ACCEPTANCE: EVIDENCE SUBMITTED

2. EVIDENCE SUBMITTED UNDER NOA # 21-0405.12 AND NEW

A. DRAWINGS

1. Drawing No. **SD140723-05**, titled “TCNHBLE 1x2 for TCNHBLE sizes 100-300”, sheet 1 through 13 of 13, dated 07/22/2014, with revision B dated 02/16/2024, prepared by manufacturer, signed and sealed by Jerry T. Miller, P.E.

B. TESTS

1. None.

C. CALCULATIONS

1. Wind loads and anchor calculations, prepared by Miller Engineering, dated 07/21/2023, signed and sealed by Jerry T. Miller, P.E.

D. QUALITY ASSURANCE

1. Miami-Dade Department of Regulatory and Economic Resources (RER)

E. MATERIAL CERTIFICATIONS

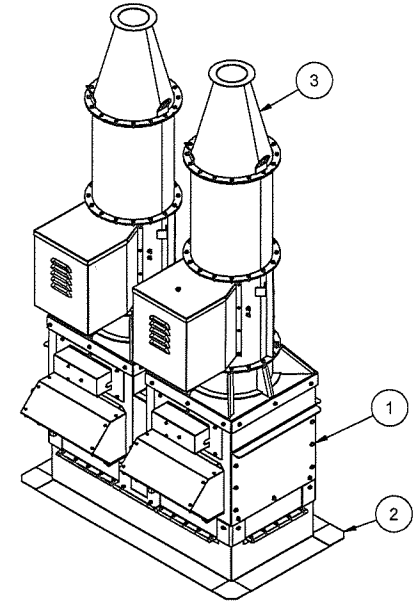
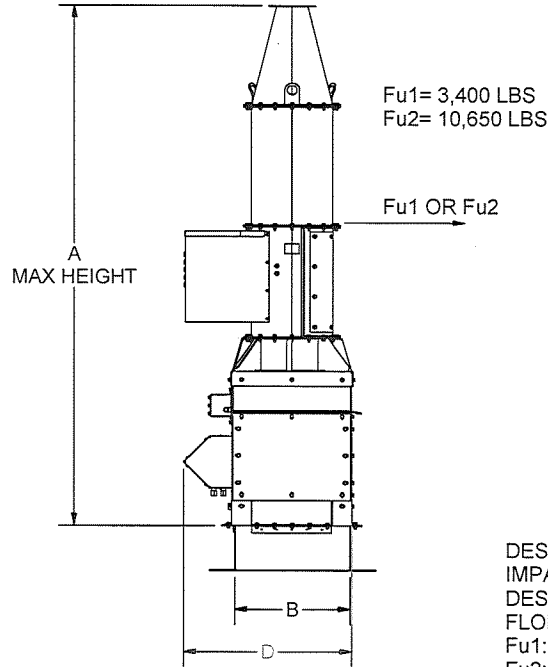
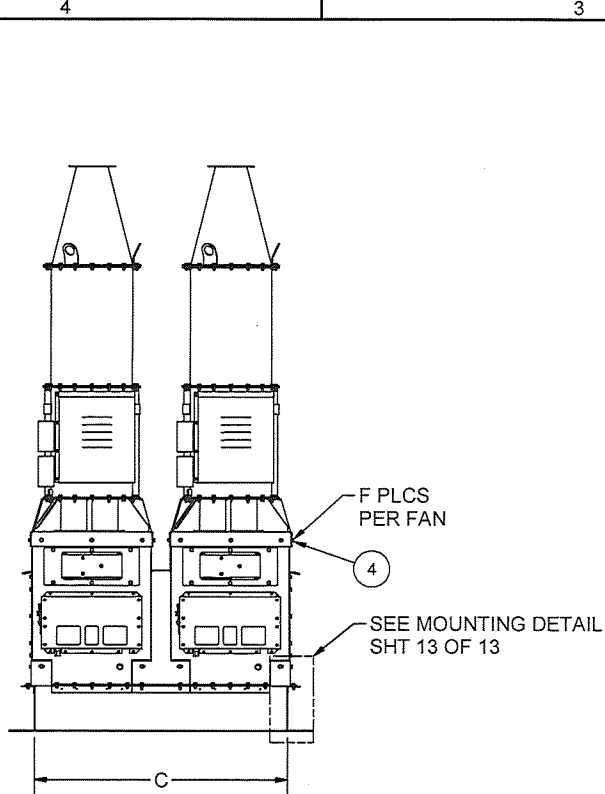
1. None.

F. STATEMENTS

1. Statement letter of code conformance, complying with the **8th edition (2023)** of the **FBC**, issued by Miller Engineering, dated 02/23/2024, signed and sealed by Jerry T. Miller, P.E.
2. Statement letter of no financial interest, issued by Miller Engineering, dated 10/12/2023, signed and sealed by Jerry T. Miller, P.E.
3. *“Submitted under NOA # 21-0405.12”*
Statement letter of conformance, complying with **FBC 7th Edition (2020)** dated March 19, 2021, issued by manufacturer, signed and sealed by Bradley F. Skidmore, P.E.



Carlos M. Utrera, P.E.
Product Control Examiner
NOA No. 24-0311.08
Expiration Date: March 12, 2025
Approval Date: April 18, 2024



DESIGN PRESSURE: +100PSF/-100PSF
 IMPACT RATING: LARGE MISSILE IMPACT RESISTANT
 DESIGN, TESTING, AND INSTALLATION CONFORMS TO
 FLORIDA BUILDING CODE
 Fu1: ULTIMATE LATERAL FORCE PER EACH MODEL TCNHBLE 100
 Fu2: ULTIMATE LATERAL FORCE PER EACH MODEL TCNHBLE 300

300	153	58 7/8	122 3/16	74	4871	20
270	146 3/4	52 7/8	110 3/16	67	4275	20
245	135	48 7/8	102 3/16	63	3736	16
225	121 1/2	46 7/8	98 3/16	60	3511	16
210	124	42 7/8	90 3/16	56	2851	16
195	120	40 7/8	86 3/16	54	2728	16
180	120	36 7/8	78 3/16	50	2397	16
165	120	33	70 5/16	46	2183	16
150	120	31	66 5/16	42	2008	16
135	120	29	62 5/16	40	1828	16
120	120	27 1/16	58 5/16	38	1511	12
100	120	23 1/16	50 5/16	34	1289	12
UNIT	A	B	C	D	WEIGHT	F
SIZE	DIM	DIM	DIM	DIM	IN LBS	PLCS

PRODUCT REVISED
 as complying with the Florida
 Building Code

NOA-No. 24-0311.08

Expiration Date 03/12/2025

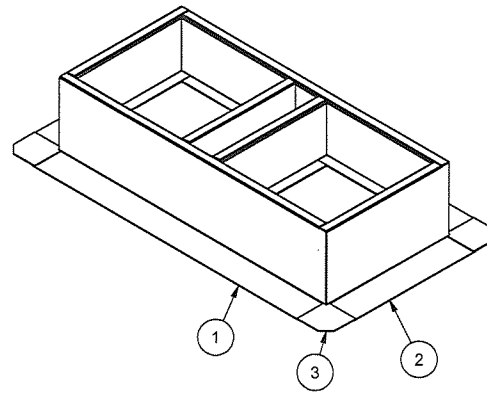
By *[Signature]*
 Miami-Dade Product Control



4	-	3/8" X 1" HEX HEAD BOLTS	-
3	SHT 3	TOP ASSEMBLY	-
2	SHT 2	1 X 2 CURB	-
1	SHT 4	TCNHBLE MIXING BOX	-
ITEM	SHT #	DESCRIPTION	MATERIAL SPEC
MATL -			
DRAWN	JWA	7/22/2014	
DESIGNER	BFS	SHEET 1 OF 13	
DO NOT SCALE DRAWING TOLERANCES UNLESS OTHERWISE NOTED			
DECIMAL .XX = ± .003" .XXX = ± .010" .XXXX = ± .001"		FRACTIONAL S12" = ± 1/16" >12" THRU 96" = ± 1/8" >96 THRU 144" = ± 1/4" >144" = ± 3/8"	
ANGULAR ± 2"		(NC) = NO INSPECTION REQ'D	
B		DRAWING NO.	REV.
B		SD140723-05	B

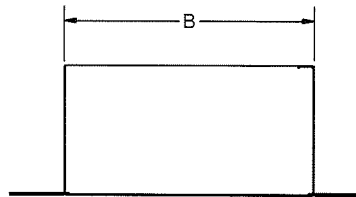
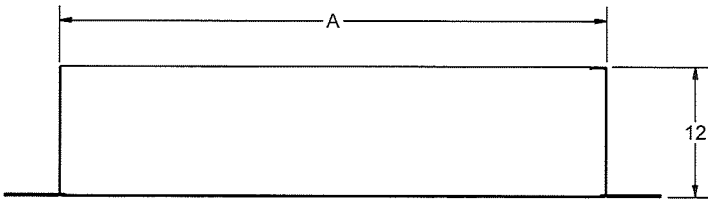


TCNHBLE 1X2
 FOR TCNHBLE
 SIZES 100-300



NOTES:

- 1) THE TCNHBLE REFERRED TO HEREIN REFERS TO ALL LOREN COOK MODEL TCNHBLE MODELS THAT ARE CONSTRUCTED OF THE SAME OUTER HOUSING COMPONENTS AND AVAILABLE AS A SINGLE FANS OR A DUAL FAN INSTALLATIONS EITHER ON MIXING BOXES, ISOLATION BOXES OR MOUNTED DIRECTLY TO LEC ROOF CURB.
- 2) THIS APPROVAL IS FOR THE STRUCTURAL CAPACITY OF THE EXTERIOR HOUSING ONLY, IT DOES NOT INCLUDE ANY INTERIOR MECHANISM OR ELECTRICAL PART.
- 3) THIS PRODUCT HAS NOT BEEN TESTED FOR WATER PENETRATION ACCORDING TO FLORIDA BUILDING CODE TAS 100(A) WIND DRIVEN RAIN TEST. IT CANNOT BE INSTALLED WITHIN RIDGE AREA FBC 1523.6.5.2.13.
- 4) THE INSTALLER IS RESPONSIBLE FOR CHECKING THAT ALL FASTENERS ARE PROPERLY INSTALLED AND ACCESS PANEL ARE IN PLACE BEFORE PUTTING THE UNIT INTO SERVICE.

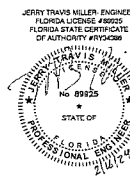



300	122 3/16	58 7/8	509
270	110 3/16	52 7/8	458
245	102 3/16	48 7/8	423
225	98 3/16	46 7/8	406
210	90 3/16	42 7/8	372
195	86 3/16	40 7/8	355
180	78 3/16	36 7/8	320
165	70 5/16	33	287
150	66 5/16	31	270
135	62 5/16	29	253
120	58 5/16	27 1/16	236
100	50 5/16	23 1/16	201
UNIT	A	B	CURB
SIZE	DIM	DIM	WEIGHT

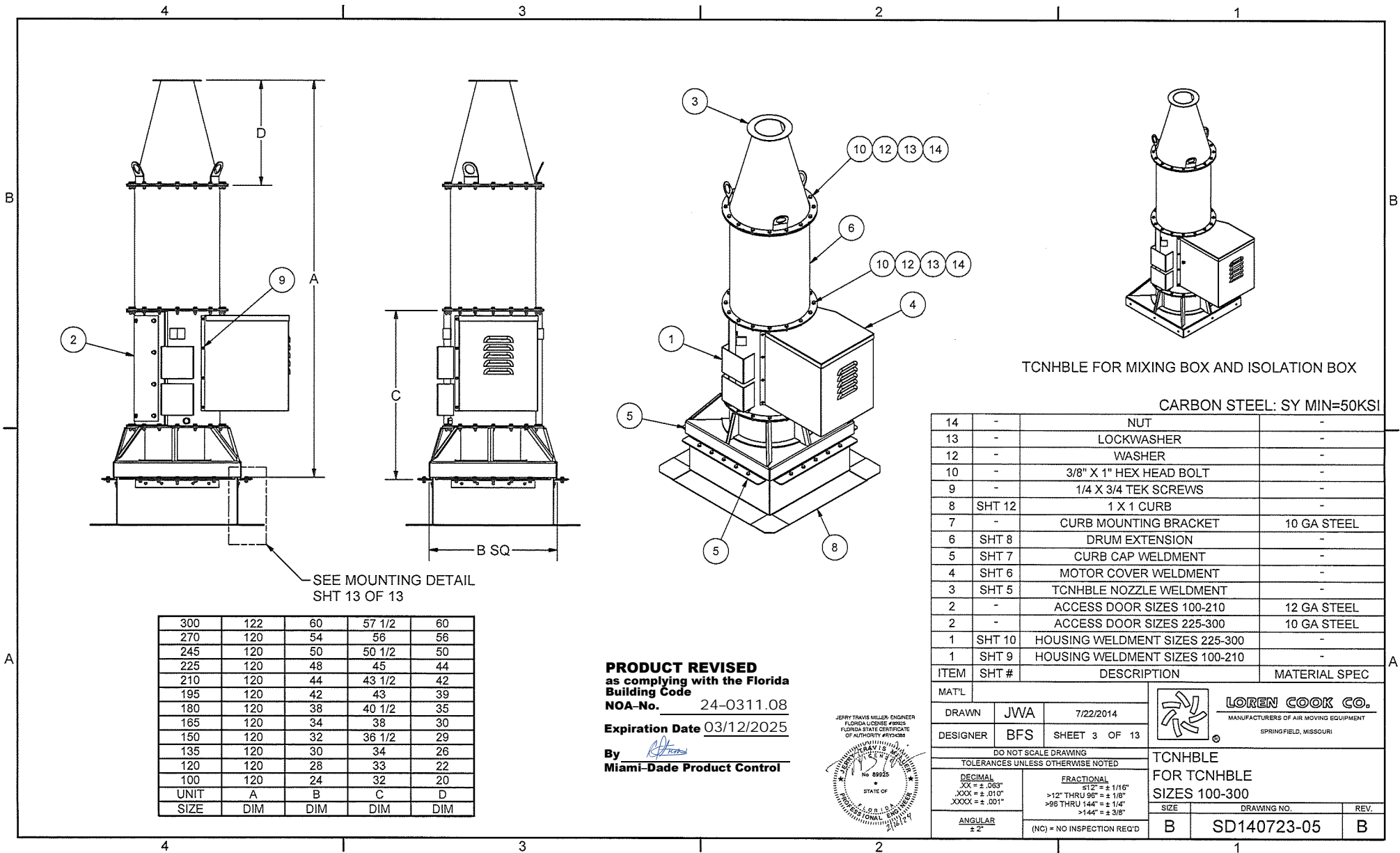
PRODUCT REVISED
 as complying with the Florida
 Building Code
NOA-No. 24-0311.08

Expiration Date 03/12/2025

By *[Signature]*
Miami-Dade Product Control



3	-	LEC CORNER FLANGE	12 GA STEEL
2	-	LEC SIDE PANEL	12 GA STEEL
1	-	LEC 1x2 SIDE PANEL	12 GA STEEL
ITEM	SHT #	DESCRIPTION	MATERIAL SPEC
MAT'L			
DRAWN	JWA	7/22/2014	 LOREN COOK CO. MANUFACTURERS OF AIR MOVING EQUIPMENT SPRINGFIELD, MISSOURI
DESIGNER	BFS	SHEET 2 OF 13	
DO NOT SCALE DRAWING TOLERANCES UNLESS OTHERWISE NOTED			
DECIMAL	FRACTIONAL		
.XX = ± .003"	5/16" = ± 1/16"		
.XXX = ± .010"	>12" THRU 90" = ± 1/8"		
.XXXX = ± .001"	>96 THRU 144" = ± 1/4"		
	>144" = ± 3/8"		
ANGULAR	(NC) = NO INSPECTION REQ'D		
± 2°			
SIZE		DRAWING NO.	REV.
B		SD140723-05	B

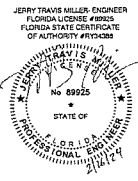


SEE MOUNTING DETAIL
SHT 13 OF 13

300	122	60	57 1/2	60
270	120	54	56	56
245	120	50	50 1/2	50
225	120	48	45	44
210	120	44	43 1/2	42
195	120	42	43	39
180	120	38	40 1/2	35
165	120	34	38	30
150	120	32	36 1/2	29
135	120	30	34	26
120	120	28	33	22
100	120	24	32	20
UNIT	A	B	C	D
SIZE	DIM	DIM	DIM	DIM

PRODUCT REVISED
as complying with the Florida
Building Code
NOA-No. 24-0311.08
Expiration Date 03/12/2025

By *[Signature]*
Miami-Dade Product Control



TCNHBLE FOR MIXING BOX AND ISOLATION BOX

CARBON STEEL: SY MIN=50KSI

ITEM	SHT #	DESCRIPTION	MATERIAL SPEC
14	-	NUT	-
13	-	LOCKWASHER	-
12	-	WASHER	-
10	-	3/8" X 1" HEX HEAD BOLT	-
9	-	1/4 X 3/4 TEK SCREWS	-
8	SHT 12	1 X 1 CURB	-
7	-	CURB MOUNTING BRACKET	10 GA STEEL
6	SHT 8	DRUM EXTENSION	-
5	SHT 7	CURB CAP WELDMENT	-
4	SHT 6	MOTOR COVER WELDMENT	-
3	SHT 5	TCNHBLE NOZZLE WELDMENT	-
2	-	ACCESS DOOR SIZES 100-210	12 GA STEEL
2	-	ACCESS DOOR SIZES 225-300	10 GA STEEL
1	SHT 10	HOUSING WELDMENT SIZES 225-300	-
1	SHT 9	HOUSING WELDMENT SIZES 100-210	-

MAT'L	
DRAWN	JWA
DESIGNER	BFS

7/22/2014
SHEET 3 OF 13
LOREN COOK CO.
MANUFACTURERS OF AIR MOVING EQUIPMENT
SPRINGFIELD, MISSOURI

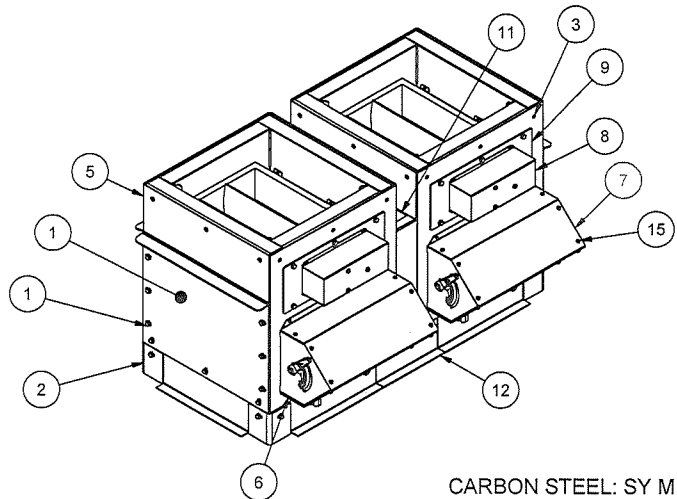
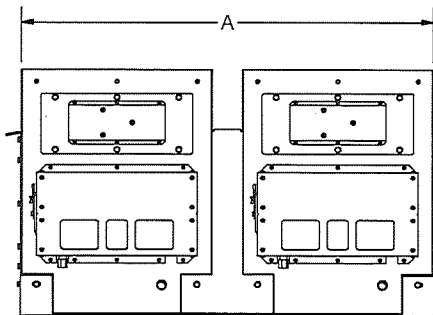
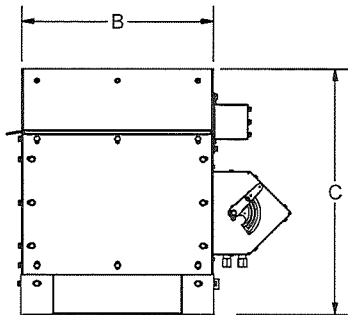
DO NOT SCALE DRAWING
TOLERANCES UNLESS OTHERWISE NOTED

DECIMAL XX = ± .063" .XXX = ± .010" XXXX = ± .001"	FRACTIONAL ±1/2" = ± 1/16" >12" THRU 96" = ± 1/8" >96 THRU 144" = ± 1/4" >144" = ± 3/8"
ANGULAR ± 2°	(NC) = NO INSPECTION REQ'D

TCNHBLE
FOR TCNHBLE
SIZES 100-300

SIZE	DRAWING NO.	REV.
B	SD140723-05	B

300	123 1/4	59 3/4	38 1/4
270	111 1/4	53 3/4	37 1/2
245	103 1/4	49 3/4	37 1/2
225	99 1/4	47 3/4	35 1/4
210	91 1/4	43 3/4	34 1/4
195	87 1/4	41 3/4	35 3/4
180	79 1/4	37 3/4	35
165	71 1/4	33 3/4	34
150	67 1/4	31 3/4	32 1/2
135	63 1/4	29 3/4	31 3/4
120	59 1/4	27 3/4	31 1/2
100	51 1/4	23 3/4	30 1/2
UNIT	A	B	C
SIZE	DIM	DIM	DIM



CARBON STEEL: SY MIN=50KSI
ALUMINUM: SY MIN=17KSI

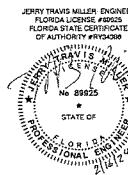
ITEM	SHT #	DESCRIPTION	MATERIAL SPEC
15	-	1/4" X 3/4" TEK SCREWS	-
14	-	3/8" X 1" HEX HEAD BOLT	-
13	-	CURB MOUNTING BRACKET	10 GA STEEL
12	-	ADAPTOR PANEL	10 GA STEEL
11	-	TOP CHANNEL, ADAPTOR FRAME	7 GA STEEL
10	-	CURB MOUNTING BRACKET	10 GA STEEL
9	-	DAMPER DOOR	7 GA STEEL
8	-	ACTUATOR COVER, WRAP	18 GA STEEL
7	-	WEATHER HOOD COVER	16 GA STEEL
6	-	WEATHER HOOD SIDE	12 GA STEEL
5	-	UPPER SIDE PANEL	10 GA STEEL
4	-	LOWER FRAME SIDE PANEL	10 GA STEEL
3	-	DAMPER PANEL	10 GA STEEL
2	-	CORNER ANGLE	1/4 STEEL
1	-	ACCESS DOOR SIZES 135-300	.25 ALUM
1	-	ACCESS DOOR SIZES 100-120	.19 ALUM

PRODUCT REVISED
as complying with the Florida
Building Code

NOA-No. 24-0311.08

Expiration Date 03/12/2025

By *[Signature]*
Miami-Dade Product Control

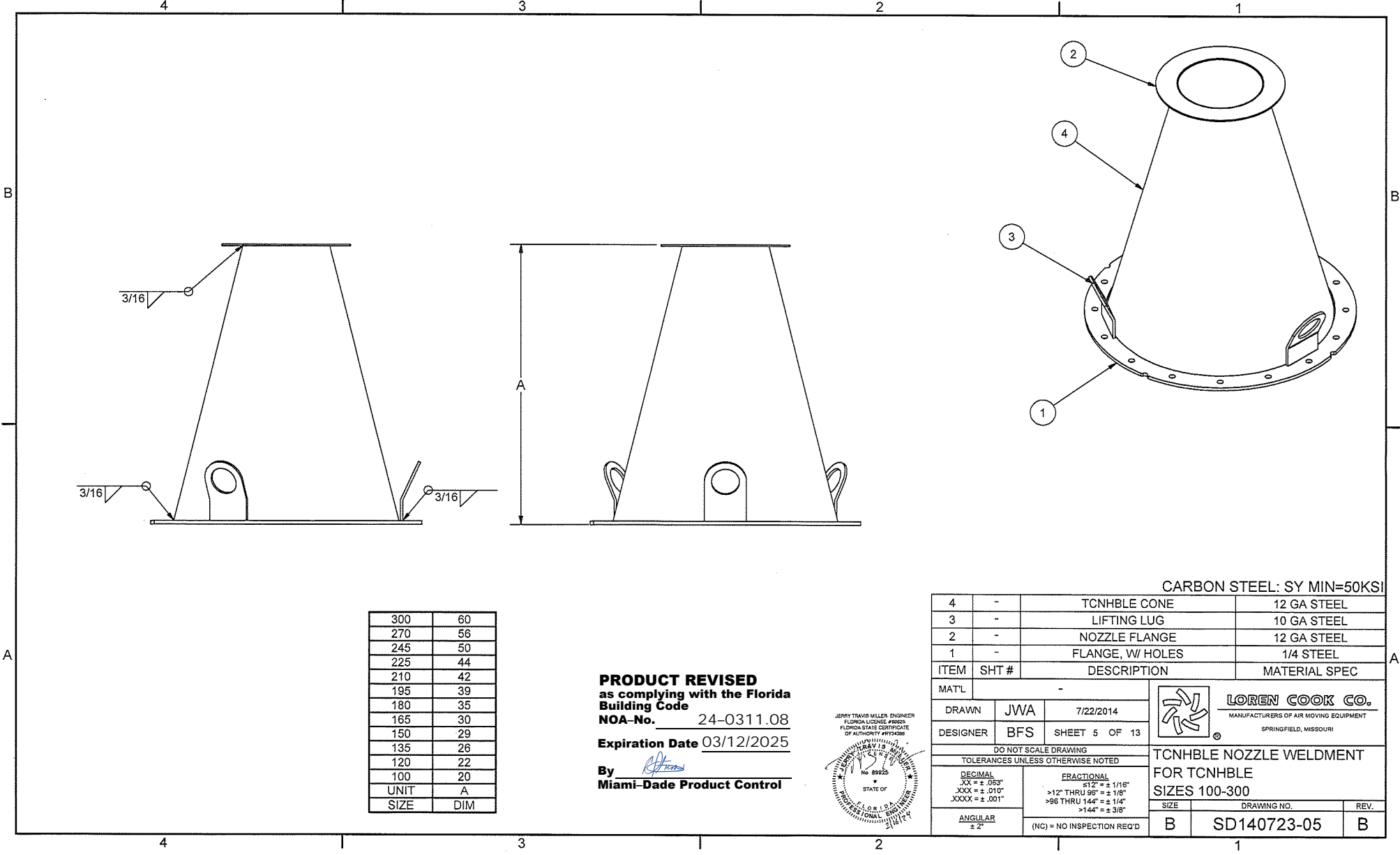


DRAWN	JWA	7/22/2014
DESIGNER	BFS	SHEET 4 OF 13
DO NOT SCALE DRAWING TOLERANCES UNLESS OTHERWISE NOTED		
DECIMAL XXX = ± .063" .XXX = ± .010" .XXXX = ± .001"	FRACTIONAL S12" = ± 1/16" >12" THRU 96" = ± 1/8" >96 THRU 144" = ± 1/4" >144" = ± 3/8"	
ANGULAR ± 2'	(NC) = NO INSPECTION REQ'D	

LOREN COOK CO.
MANUFACTURERS OF AIR MOVING EQUIPMENT
SPRINGFIELD, MISSOURI

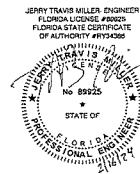
**1 X 2 MIXING BOX
FOR TCNHBLE
SIZES 100-300**

SIZE	DRAWING NO.	REV.
B	SD140723-05	B



300	60
270	56
245	50
225	44
210	42
195	39
180	35
165	30
150	29
135	26
120	22
100	20
UNIT	A
SIZE	DIM

PRODUCT REVISED
 as complying with the Florida
 Building Code
 NOA-No. 24-0311.08
 Expiration Date 03/12/2025
 By *[Signature]*
 Miami-Dade Product Control



CARBON STEEL: SY MIN=50KSI

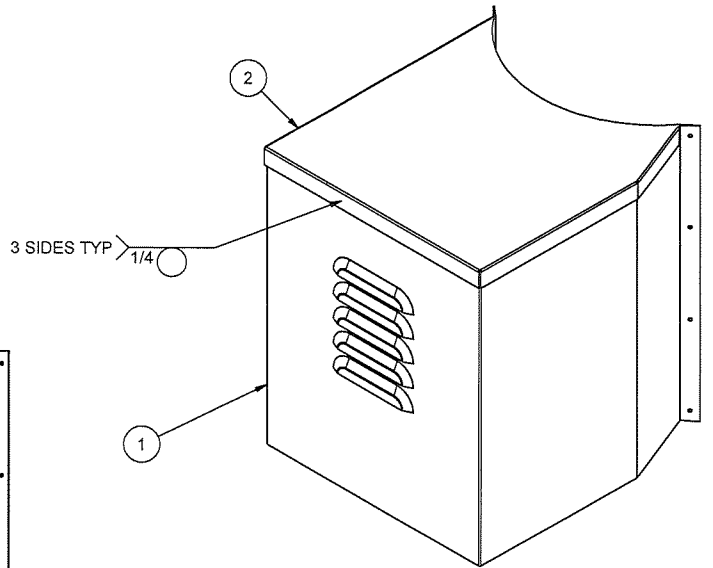
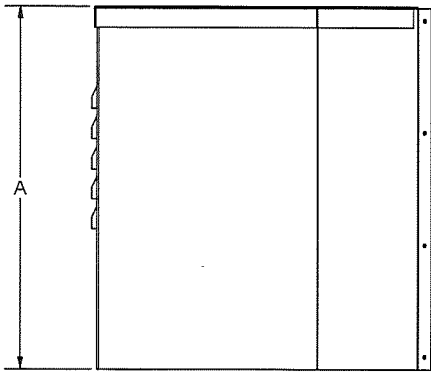
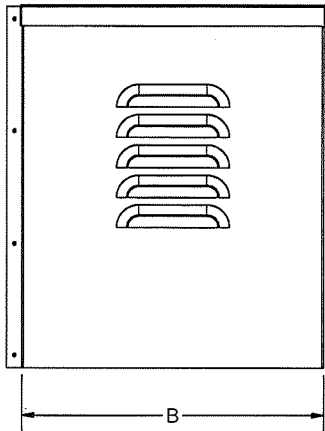
4	-	TCNHBLE CONE	12 GA STEEL
3	-	LIFTING LUG	10 GA STEEL
2	-	NOZZLE FLANGE	12 GA STEEL
1	-	FLANGE, W/ HOLES	1/4 STEEL
ITEM	SHT #	DESCRIPTION	MATERIAL SPEC
MATL		-	
DRAWN	JWA	7/22/2014	
DESIGNER	BFS	SHEET 5 OF 13	
DO NOT SCALE DRAWING TOLERANCES UNLESS OTHERWISE NOTED			
DECIMAL XX = ± .003" .XXX = ± .010" .XXXX = ± .001"		FRACTIONAL S12" = ± 1/16" >12" THRU 96" = ± 1/8" >96 THRU 144" = ± 1/4" >144" = ± 3/8"	
ANGULAR ± 2°		(NC) = NO INSPECTION REQ'D	
SIZE		DRAWING NO.	REV.
B		SD140723-05	B



TCNHBLE NOZZLE WELDMENT
 FOR TCNHBLE
 SIZES 100-300

4 | 3 | 2 | 1

B



B

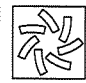
A

PRODUCT REVISED
 as complying with the Florida
 Building Code
 NOA-No. 24-0311.08
 Expiration Date 03/12/2025
 By *[Signature]*
 Miami-Dade Product Control

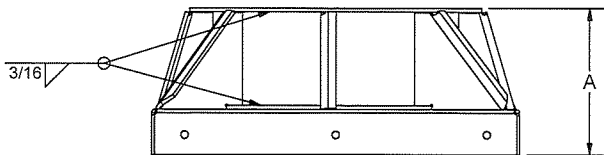
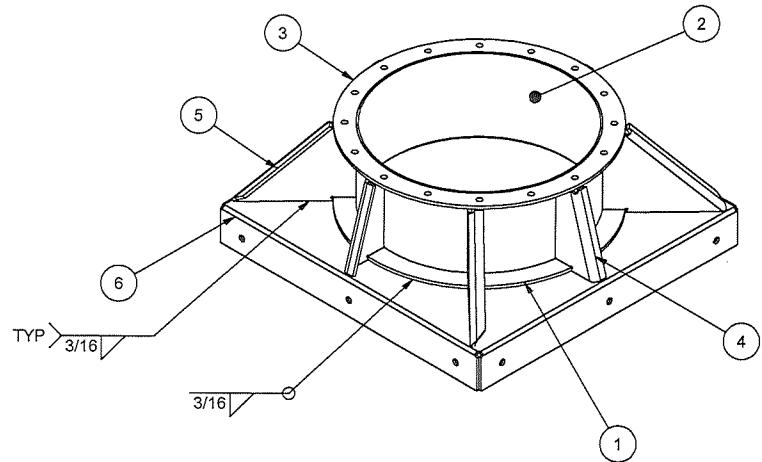
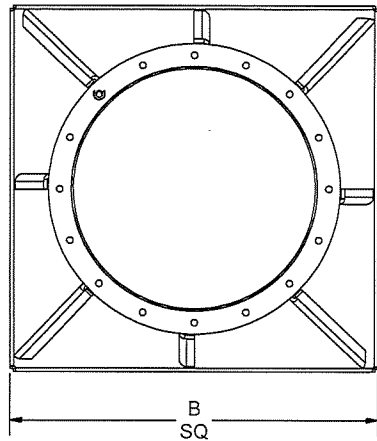
270-300	30 3/32	23
225-245	25 3/32	20
150-210	22 3/32	19
100-135	18 3/32	15
UNIT	A	B
SIZE	DIM	DIM



CARBON STEEL: SY MIN=50KSI

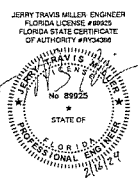
2	-	MOTOR COVER TOP	16 GA STEEL
1	-	MOTOR COVER WRAPPER	16 GA STEEL
ITEM	SHT #	DESCRIPTION	MATERIAL SPEC
MATL		-	
DRAWN	JWA	7/22/2014	 LOREN COOK CO. <small>MANUFACTURERS OF AIR MOVING EQUIPMENT SPRINGFIELD, MISSOURI</small>
DESIGNER	BFS	SHEET 6 OF 13	
DO NOT SCALE DRAWING TOLERANCES UNLESS OTHERWISE NOTED			
DECIMAL	FRACTIONAL		
XX = ± .003"	5/12" = ± 1/16"		
.XXX = ± .010"	>12" THRU 96" = ± 1/8"		
.XXXX = ± .001"	>96 THRU 144" = ± 1/4"		
	>144" = ± 3/8"		
ANGULAR	(NC) = NO INSPECTION REQ'D		
± 2°			
SIZE	DRAWING NO.		REV.
B	SD140723-05		B

4 | 3 | 2 | 1



300	9 1/4	60
270	9 1/4	54
245	9 1/4	50
225	9 1/4	48
210	9 1/4	44
195	9 1/4	42
180	9 1/4	38
165	9 1/4	34
150	9 1/4	32
135	9 1/4	30
120	9 3/4	28
100	9 3/4	24
UNIT	A	B
SIZE	DIM	DIM

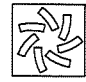
PRODUCT REVISED
 as complying with the Florida
 Building Code
NOA-No. 24-0311.08
Expiration Date 03/12/2025
 By *[Signature]*
Miami-Dade Product Control

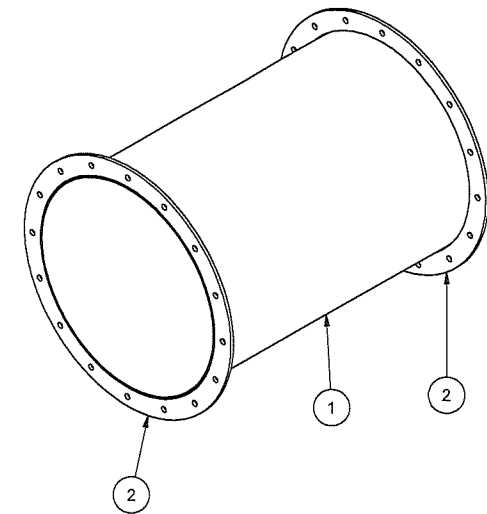
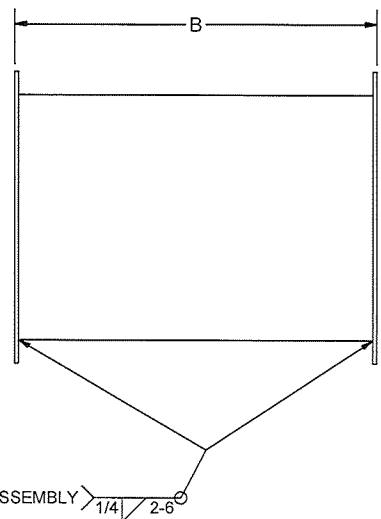
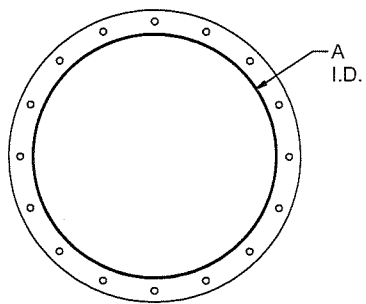


CARBON STEEL: SY MIN=50KSI

ITEM	SHT #	DESCRIPTION	MATERIAL SPEC
6	-	CURB CAP	7 GA STEEL
5	-	CORNER GUSSET	1/4 STEEL
4	-	BASE GUSSET	1/4 STEEL
3	-	FLANGE, W/ HOLES	1/4 STEEL
2	-	UPPER DRUM	10 GA STEEL
1	-	FLANGE, W/O HOLES	1/4 STEEL

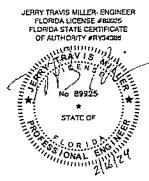
MAT'L	-	
DRAWN	JWA	7/22/2014
DESIGNER	BFS	SHEET 7 OF 13
DO NOT SCALE DRAWING TOLERANCES UNLESS OTHERWISE NOTED		
DECIMAL XX = ± .063" .XXX = ± .010" XXXX = ± .001"	FRACTIONAL 2/12" = ± 1/16" >12" THRU 96" = ± 1/8" >96 THRU 144" = ± 1/4" >144" = ± 3/8"	
ANGULAR ± 2'	(NC) = NO INSPECTION REQ'D	

 LOREN COOK CO. MANUFACTURERS OF AIR MOVING EQUIPMENT SPRINGFIELD, MISSOURI		CURB CAP WELDMENT FOR TCNHBLE SIZES 100-300
B	SD140723-05	B



CAULK IN ASSEMBLY $\frac{1}{4}$ 2-6

PRODUCT REVISED
 as complying with the Florida
 Building Code
 NOA-No. 24-0311.08
 Expiration Date 03/12/2025
 By *[Signature]*
 Miami-Dade Product Control



CARBON STEEL: SY MIN=50KSI

ITEM	SHT #	DESCRIPTION	MATERIAL SPEC
2	-	FLANGE, W/ HOLES	1/4 STEEL
1	-	UPPER DRUM SIZES 225-300	10 GA STEEL
1	-	UPPER DRUM SIZES 100-210	12 GA STEEL

MATL	-	
DRAWN	JWA	7/22/2014
DESIGNER	BFS	SHEET 8 OF 13
DO NOT SCALE DRAWING TOLERANCES UNLESS OTHERWISE NOTED		
DECIMAL XX = ± .003" .XXX = ± .010" .XXXX = ± .001"	FRACTIONAL S12" = ± 1/16" >12" THRU 96" = ± 1/8" >96 THRU 144" = ± 1/4" >144" = ± 3/8"	
ANGULAR ± 2°	(NC) = NO INSPECTION REQ'D	

LOREN COOK CO.
 MANUFACTURERS OF AIR MOVING EQUIPMENT
 SPRINGFIELD, MISSOURI

**DRUM EXTENSION
 FOR TCNHBLE
 SIZES 100-300**

SIZE	DRAWING NO.	REV.
B	SD140723-05	B

SIZE	DIM	DIM
210	34	6 5/8
195	31	5 1/8
180	28	12 1/8
165	26	20 5/8
150	24	24 5/8
135	21	31 1/8
120	18	36 3/8
100	16	40 3/8
UNIT	A	B
SIZE	DIM	DIM

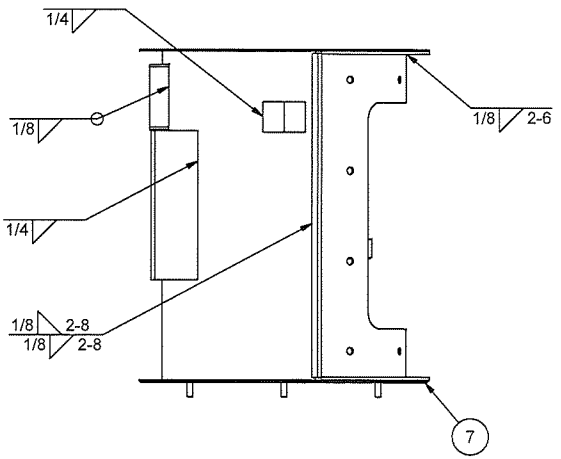
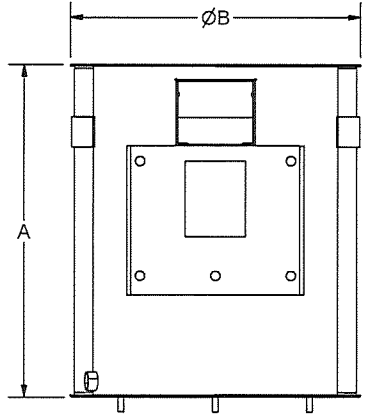
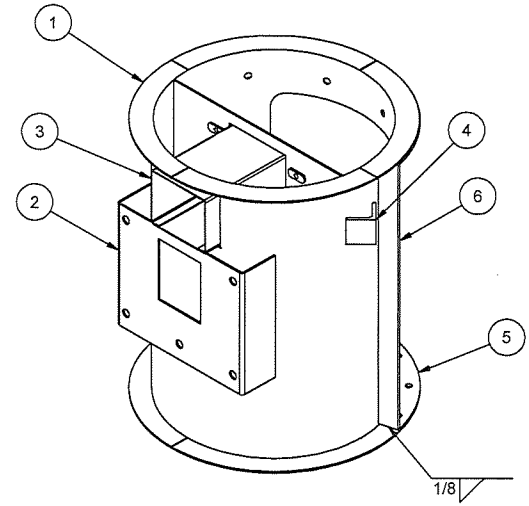
WITH MIXING BOX

SIZE	DIM	DIM
300	48	4 1/2
270	44	8 1/4
245	40	19 3/4
225	36	31 1/4
210	34	34 1/2
195	31	38 1/4
180	28	44 1/2
165	26	52
150	24	54 1/2
135	21	60 1/4
120	18	65 1/4
100	16	68 1/4
UNIT	A	B
SIZE	DIM	DIM

WITHOUT MIXING BOX

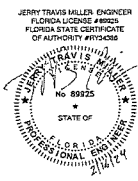
4 | 3 | 2 | 1

PRODUCT REVISED
 as complying with the Florida
 Building Code
 NOA-No. 24-0311.08
 Expiration Date 03/12/2025
 By *[Signature]*
 Miami-Dade Product Control



210	34 5/8	37 3/16
195	33 3/8	34 3/16
180	31 1/8	31 3/16
165	28 5/8	29 3/16
150	27 1/8	27 3/16
135	24 5/8	24 3/16
120	23 1/8	21 3/16
100	22 1/16	19 3/16
UNIT	A	B
SIZE	DIM	DIM

NOTES:
 1. THIS SHEET IS FOR HOUSING WELDMENT SIZES 100-210.
 FOR HOUSING WELDMENT 225-300 SEE SHEET 10.



CARBON STEEL: SY MIN=50KSI

7		INLET PANEL SIZES 120-210	12 GA STEEL
7	-	INLET PANEL SIZE 100	14 GA STEEL
6	-	STIFFENER, ACCESS DOOR	1/4" STEEL
5	-	FLANGE SECTION	1/4 STEEL
4	-	LIFTING LUG ANGLE	1/4 STEEL
3		BELT TUNNEL SIZES 165-210	12 GA STEEL
3	-	BELT TUNNEL SIZES 100-150	14 GA STEEL
2	-	MOTOR MOUNT BRACKET	10 GA STEEL
1	-	HOUSING WITH ACCESS	12 GA STEEL
ITEM	SHT #	DESCRIPTION	MATERIAL SPEC

MAT'L	-		
DRAWN	JWA	7/22/2014	
DESIGNER	BFS	SHEET 9 OF 13	
DO NOT SCALE DRAWING			
TOLERANCES UNLESS OTHERWISE NOTED			
DECIMAL	FRACTIONAL		
.XX = ± .003"	±1/2" = ± 1/16"		
.XXX = ± .010"	>12" THRU 96" = ± 1/8"		
.XXXX = ± .001"	>96 THRU 144" = ± 1/4"		
	>144" = ± 3/8"		
ANGULAR	(NC) = NO INSPECTION REQ'D		
± 2°			

LOREN COOK CO.
 MANUFACTURERS OF AIR MOVING EQUIPMENT
 SPRINGFIELD, MISSOURI

HOUSING WELDMENT FOR TCNHBLE SIZES 100-210

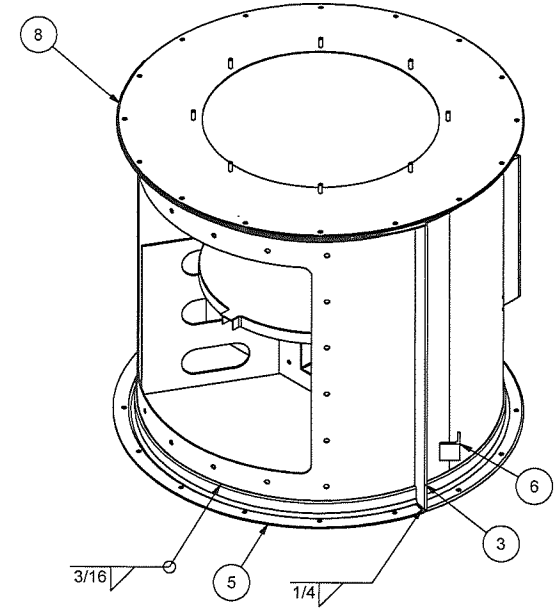
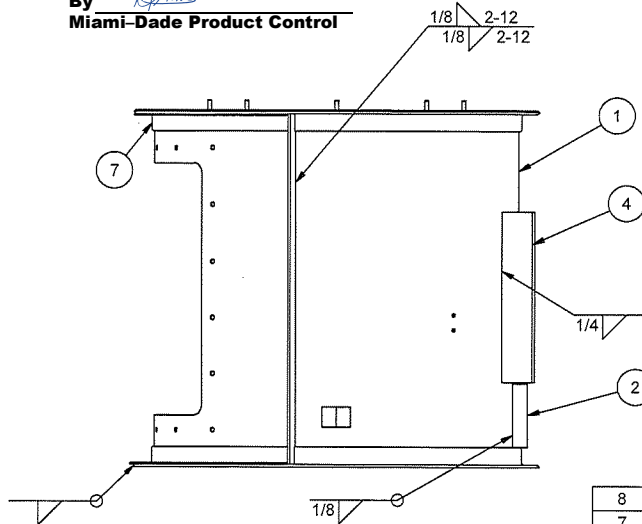
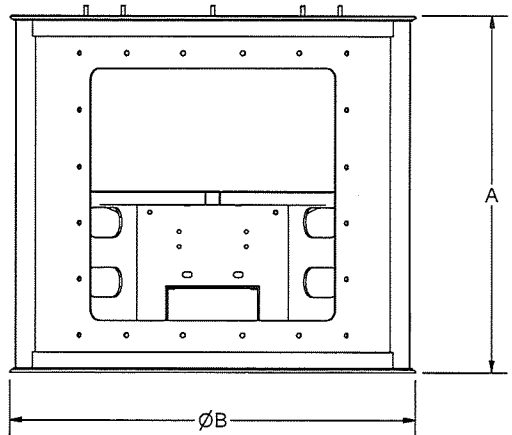
SIZE	DRAWING NO.	REV.
B	SD140723-05	B

4 | 3 | 2 | 1

PRODUCT REVISED
 as complying with the Florida
 Building Code
 NOA-No. 24-0311.08

Expiration Date 03/12/2025

By *[Signature]*
 Miami-Dade Product Control

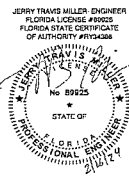



CARBON STEEL: SY MIN=50KSI

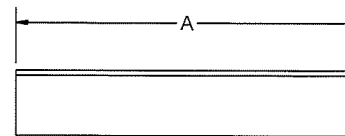
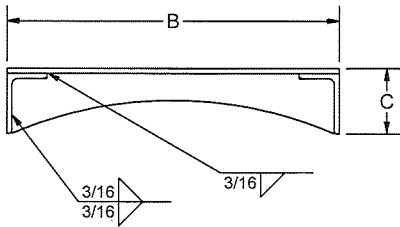
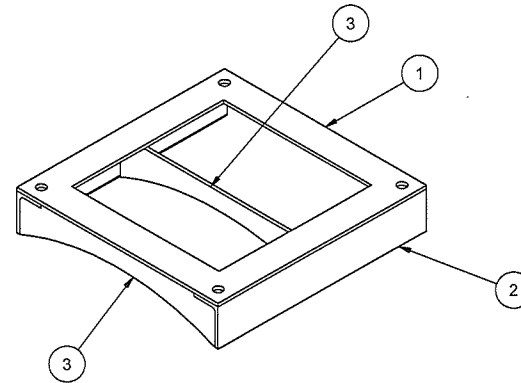
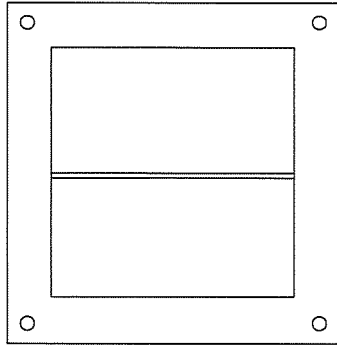
ITEM	SHT #	DESCRIPTION	MATERIAL SPEC
8	-	INLET PANEL	12 GA STEEL
7	-	OUTER HOUSING RING	1/4 STEEL
6	-	LIFTING LUG ANGLE	1/4 STEEL
5	-	FLANGE SECTION	1/4 STEEL
4	SHT 11	MOTOR PLATE WELDMENT	-
3	-	STIFFENER, ACCESS DOOR	1/4 STEEL
2	-	BELT TUNNEL	12 GA STEEL
1	-	HOUSING WITH ACCESS	10 GA STEEL

NOTES:
 1. THIS SHEET IS FOR HOUSING WELDMENT SIZES 225-300.
 FOR HOUSING WELDMENT 100-210 SEE SHEET 9.

300	48 3/8	52 1/4
270	46 5/8	48 1/4
245	41 1/8	44 1/4
225	35 5/8	40 1/4
UNIT	A	B
SIZE	DIM	DIM



DRAWN		JWA	7/22/2014	 LOREN COOK CO. MANUFACTURERS OF AIR MOVING EQUIPMENT SPRINGFIELD, MISSOURI						
DESIGNER		BFS	SHEET 10 OF 13							
DO NOT SCALE DRAWING TOLERANCES UNLESS OTHERWISE NOTED				HOUSING WELDMENT FOR TCNHBLE SIZES 225-300						
DECIMAL .XX = ± .003" .XXX = ± .010" .XXXX = ± .001"		FRACTIONAL 5/16" = ± 1/16" >12" THRU 96" = ± 1/8" >96 THRU 144" = ± 1/4" >144" = ± 3/8"								
ANGULAR ± 2°		(NC) = NO INSPECTION REQ'D		<table border="1"> <tr> <th>SIZE</th> <th>DRAWING NO.</th> <th>REV.</th> </tr> <tr> <td>B</td> <td>SD140723-05</td> <td>B</td> </tr> </table>	SIZE	DRAWING NO.	REV.	B	SD140723-05	B
SIZE	DRAWING NO.	REV.								
B	SD140723-05	B								



PRODUCT REVISED
 as complying with the Florida
 Building Code
 NOA-No. 24-0311.08
 Expiration Date 03/12/2025
 By *[Signature]*
 Miami-Dade Product Control

CARBON STEEL: SY MIN=50KSI

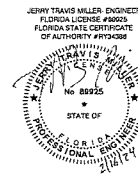
300	18 3/4	19 1/2	3 3/4
270	18 3/4	19 1/2	3 3/4
245	17	16 1/2	3 1/4
225	17	16 1/2	3 1/4
UNIT	A	B	C
SIZE	DIM	DIM	DIM

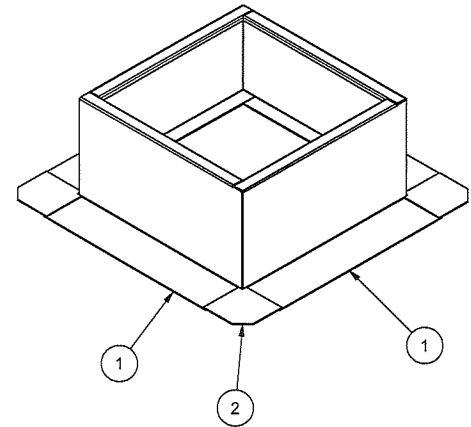
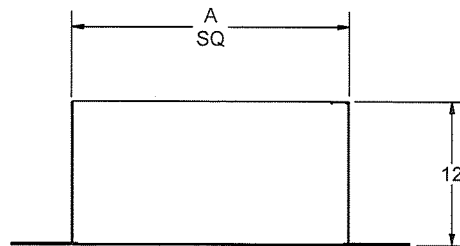
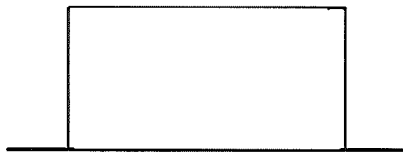
ITEM	SHT #	DESCRIPTION	MATERIAL SPEC
3	-	SUPPORT GUSSET	1/4 STEEL
2	-	MOTOR RAIL	1/4 STEEL
1	-	MOTOR MOUNT PLATE	1/4 STEEL

MAT'L			
DRAWN	JWA	7/22/2014	
DESIGNER	BFS	SHEET 11 OF 13	

DO NOT SCALE DRAWING TOLERANCES UNLESS OTHERWISE NOTED		
DECIMAL	FRACTIONAL	
.XX = ± .003"	.12" = ± 1/16"	
.XXX = ± .010"	>12" THRU 96" = ± 1/8"	
.XXXX = ± .001"	>96 THRU 144" = ± 1/4"	
	>144" = ± 3/8"	
ANGULAR	(NC) = NO INSPECTION REQ'D	
± 2°		

LOREN COOK CO. MANUFACTURERS OF AIR MOVING EQUIPMENT SPRINGFIELD, MISSOURI		
MOTOR MOUNT WELDMENT FOR TCNHBLE SIZES 100-300		
SIZE	DRAWING NO.	REV.
B	SD140723-05	B



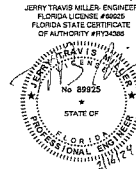


300	58 7/8	297
270	52 7/8	266
245	48 7/8	246
225	46 7/8	235
210	42 7/8	215
195	40 7/8	205
180	36 7/8	184
165	33	164
150	31	154
135	29	144
120	27 1/16	134
100	23 1/16	113
UNIT	A	WEIGHT
SIZE	DIM	IN LBS

PRODUCT REVISED
 as complying with the Florida
 Building Code
 NOA-No. 24-0311.08

Expiration Date 03/12/2025

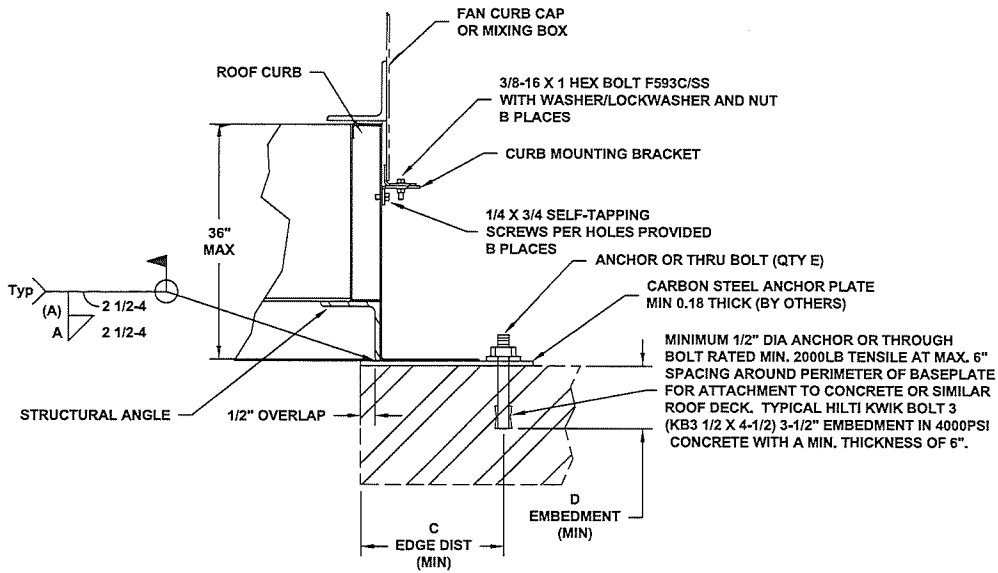
By [Signature]
 Miami-Dade Product Control



ITEM	SHT #	DESCRIPTION	MATERIAL SPEC
2	-	LEC CORNER FLANGE	7 GA STEEL
1	-	LEC SIDE PANEL	7 GA STEEL

DRAWN	JWA	7/22/2014
DESIGNER	BFS	SHEET 12 OF 13

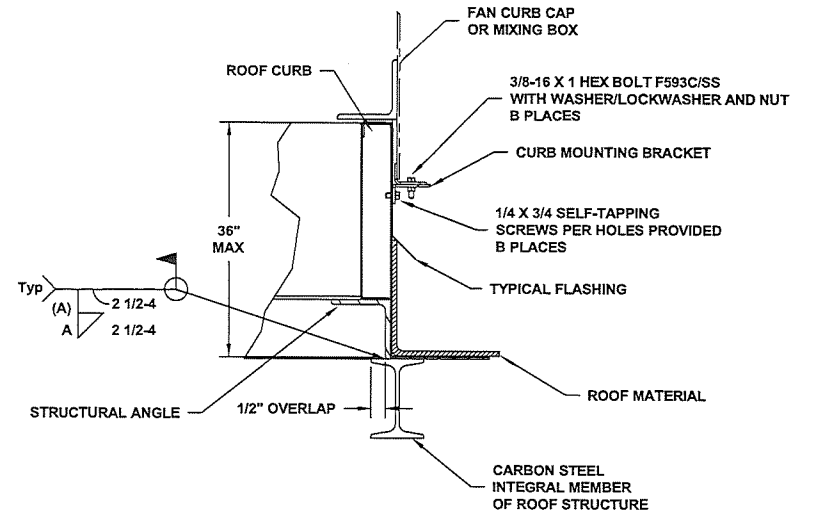
DO NOT SCALE DRAWING TOLERANCES UNLESS OTHERWISE NOTED								
DECIMAL XX = ± .063" .XXX = ± .010" .XXXX = ± .001"	FRACTIONAL 3/2" = ± 1/16" >12" THRU 96" = ± 1/8" >96 THRU 144" = ± 1/4" >144" = ± 3/8"	LOREN COOK CO. MANUFACTURERS OF AIR MOVING EQUIPMENT SPRINGFIELD, MISSOURI						
1 X 1 CURB FOR TCNHBLE SIZES 100-300								
ANGULAR ± 2°	(NC) = NO INSPECTION REQ'D	<table border="1"> <tr> <th>SIZE</th> <th>DRAWING NO.</th> <th>REV.</th> </tr> <tr> <td>B</td> <td>SD140723-05</td> <td>B</td> </tr> </table>	SIZE	DRAWING NO.	REV.	B	SD140723-05	B
SIZE	DRAWING NO.	REV.						
B	SD140723-05	B						



ALTERNATE LEFT CURB ATTACHMENT
(WELD CURB TO ANCHOR PLATE)
ATTACH ANCHOR PLATE TO ROOF STRUCTURE
WITH MECHANICAL FASTENERS

245 thru 300	1/4	56	28	42	6	3.5
100 thru 225	1/4	40	20	30	6	3.5
UNIT	A	LESS BOX	SINGLE BOX	DUAL BOX	C	D
SIZE	DIM	B PLACES	B PLACES	B PLACES	DIM	DIM

CURB ANCHORAGE MECHANICAL FASTENER MINIMUM QUANTITY (E)				
300	12	23	12	23
270	11	21	11	21
245	11	20	11	20
225	10	19	10	19
210	10	18	10	18
195	9	17	9	17
180	9	16	9	16
165	8	14	8	14
150	8	14	8	14
135	7	13	7	13
120	7	12	7	12
100	6	11	6	11
UNIT SIZE	LESS BOX/ SINGLE AND SHORT SIDE DUAL BOX QUANTITY E	LONG SIDE OF DUAL BOX QUANTITY E	TOTAL PERIMETER FASTENERS FOR LESS BOX AND SINGLE QUANTITY E	TOTAL PERIMETER DUAL BOX QUANTITY E



STANDARD LEFT CURB ATTACHMENT
(WELD CURB TO ROOF STRUCTURE)


245 thru 300	1/4	56	28	42
100 thru 225	1/4	40	20	30
UNIT	A	LESS BOX	SINGLE BOX	DUAL BOX
SIZE	DIM	B PLACES	B PLACES	B PLACES

PRODUCT REVISED
as complying with the Florida
Building Code
NOA-No. 24-0311.08

Expiration Date 03/12/2025

By 
Miami-Dade Product Control



MAT'L	-	
DRAWN	BFS	07/23/14
DESIGNER	BFS	SHEET 13 OF 13
DO NOT SCALE DRAWING TOLERANCES UNLESS OTHERWISE NOTED		
DECIMAL	FRACTIONAL	
.XX=±.063"	≤12"=±1/16"	
.XXX=±.010"	>12" THRU 96"=±1/8"	
.XXXX=±.001"	>96" THRU 144"=±1/4"	
ANGULAR	>144"=±3/8"	
±2'	(NC)=NO INSPECTION REQ'D	
 LOREN COOK CO. MANUFACTURERS OF AIR MOVING EQUIPMENT SPRINGFIELD, MISSOURI		
MOUNTING DETAIL FOR TCNHBLE SIZES 100-300		
SIZE	DRAWING NO.	REV.
B	SD140723-05	B