



DEPARTMENT OF REGULATORY AND ECONOMIC RESOURCES (RER)
BOARD AND CODE ADMINISTRATION DIVISION

MIAMI-DADE COUNTY
PRODUCT CONTROL SECTION
11805 SW 26 Street, Room 208
Miami, Florida 33175-2474
T (786) 315-2590 F (786) 315-2599
www.miamidade.gov/economy

NOTICE OF ACCEPTANCE (NOA)

Marco Industries
4150 S. 100th E. Ave Ste. 301
Tulsa, OK 74146

SCOPE:

This NOA is being issued under the applicable rules and regulations governing the use of construction materials. The documentation submitted has been reviewed and accepted by Miami-Dade County RER - Product Control Section to be used in Miami-Dade County and other areas where allowed by the Authority Having Jurisdiction (AHJ).

This NOA shall not be valid after the expiration date stated below. The Miami-Dade County Product Control Section (in Miami-Dade County) and/or the AHJ (in areas other than Miami-Dade County) reserve the right to have this product or material tested for quality assurance purposes. If this product or material fails to perform in the accepted manner, the manufacturer will incur the expense of such testing and the AHJ may immediately revoke, modify, or suspend the use of such product or material within their jurisdiction. RER reserves the right to revoke this acceptance, if it is determined by Miami-Dade County Product Control Section that this product or material fails to meet the requirements of the applicable building code.

This product is approved as described herein, and has been designed to comply with the Florida Building Code including the High Velocity Hurricane Zone of the Florida Building Code.

DESCRIPTION: FlexPro™ Ridge Vents and Vista Vent™ Ridge Vent

LABELING: Each unit shall bear a permanent label with the manufacturer's name or logo, city, state and following statement: "Miami-Dade County Product Control Approved", unless otherwise noted herein.

RENEWAL of this NOA shall be considered after a renewal application has been filed and there has been no change in the applicable building code negatively affecting the performance of this product.

TERMINATION of this NOA will occur after the expiration date or if there has been a revision or change in the materials, use, and/or manufacture of the product or process. Misuse of this NOA as an endorsement of any product, for sales, advertising or any other purposes shall automatically terminate this NOA. Failure to comply with any section of this NOA shall be cause for termination and removal of NOA.

ADVERTISEMENT: The NOA number preceded by the words Miami-Dade County, Florida, and followed by the expiration date may be displayed in advertising literature. If any portion of the NOA is displayed, then it shall be done in its entirety.

INSPECTION: A copy of this entire NOA shall be provided to the user by the manufacturer or its distributors and shall be available for inspection at the job site at the request of the Building Official.

This NOA renews NOA# 19-0129.01 and consists of pages 1 through 6.
The submitted documentation was reviewed by Alex Tigera.

05/09/24



NOA No.: 24-0415.04
Expiration Date: 05/23/29
Approval Date: 05/02/24
Page 1 of 6

ROOFING COMPONENT APPROVAL

Category: Roofing
Sub-Category: Ventilation
Materials: Plastic

TRADE NAMES OF PRODUCTS MANUFACTURED OR LABELED BY APPLICANT:

<u>Product</u>	<u>Dimensions</u>	<u>Test Specification</u>	<u>Product Description</u>
FlexPro™ Ridge Vents and Vista Vent™ Ridge Vent on 1-1/4" Tall- R-Panel	Length: Varies Width: 3" Height: 1-1/4"	TAS-100(A)	High loft non-woven polyester low profile attic ridge vent, for installation under listed non structural metal roof panels as described.
FlexPro™ Ridge Vents and Vista Vent™ Ridge Vent on 3/4" Rib Panel, 9" o.c.	Length: Varies Width: 3" Height: 1"	TAS-100(A)	High loft non-woven polyester low profile attic ridge vent, for installation under listed non structural metal roof panels as described.
FlexPro™ Ridge Vents and Vista Vent™ Ridge Vent on Snap-Lock 1" Tall Profile Panel	Length: Varies Width: 3" Height: 1"	TAS-100(A)	High loft non-woven polyester low profile attic ridge vent, for installation under listed non structural metal roof panels as described.

MANUFACTURING LOCATIONS:

1. Tulsa, OK

EVIDENCE SUBMITTED:

<u>Test Agency</u>	<u>Test Name/Report</u>	<u>Test Identifier</u>	<u>Date</u>
Intertek	TAS 100(A)	I0378.04-801-18-R1	06/06/18
	Letter	I0378.04-801-18	04/26/19
	TAS 100(A)	I0378.01-801-18-R1	06/25/18
	Letter	I0378.01-801-18	04/26/19
	TAS 100(A)	I0378.03-801-18-R1	06/06/18
	Letter	I0378.03-801-18	04/26/19
VTEC Laboratories Inc.	ASTM D 1929	100-4954-1	05/29/15
	ASTM D 635	100-5542-1	07/03/17



NOA No.: 24-0415.04
 Expiration Date: 05/23/29
 Approval Date: 05/02/24
 Page 2 of 6

APPROVED APPLICATIONS

- Tradename:** FlexPro™ Ridge Vents and Vista Vent™ Ridge Vent on 1-1/4" Tall- R-Panel Profile
- System Type:** High loft fibrous non-woven polyester venting material installed over listed non structural metal roof panels at ridge, covered with same metal type ridge cap.
- Cutout:** Cut shall be 1/2" wide slot on each side of the center of the ridge and 6" shorter at each end than the total length of the ridge vent to be installed. Cut through sheathing only, avoiding roof trusses.
- Installation:** Starting from the end of the ridge, center ridge vent baffle over the slot and secure down to the roof panel with a Miami Dade County Approved Silicone 1" form the slot. The baffle was sealed to the panel with a bead of Miami Dade County Approved Silicone at the centerline under the baffle.
- Steel Ridge Cap:** Install non-structural metal steel ridge cap with #10 x 3/4" tapping screws with intergral neoprene washer at each roofing panel rib. The baffle was sealed to the ridge cap with Miami Dade County Approved Silicone at the centerline of the baffle.
- Net Free Area:** Refer to manufacturers published literature.

APPROVED APPLICATIONS

- Tradename:** FlexPro™ Ridge Vents and Vista Vent™ Ridge Vent on 3/4" Rib Panel, 9"o.c.
- System Type:** High loft fibrous non-woven polyester venting material installed over listed non structural metal roof panels at ridge, covered with same metal type ridge cap.
- Cutout:** Cut shall be 1/2" wide slot on each side of the center of the ridge and 6" shorter at each end than the total length of the ridge vent to be installed. Cut through sheathing only, avoiding roof trusses.
- Installation:** Starting from the end of the ridge, center ridge vent baffle over the slot and secure down to the roof panel with a Miami Dade County Approved Silicone 1" form the slot. The baffle was sealed to the panel with a bead of Miami Dade County Approved Silicone at the centerline under the baffle.
- Steel Ridge Cap:** Install non-structural metal steel ridge cap with #10 x 3/4" tapping screws with intergral neoprene washer at each roofing panel rib. The baffle was sealed to the ridge cap with Miami Dade County Approved Silicone at the centerline of the baffle.
- Net Free Area:** Refer to manufacturers published literature.



APPROVED APPLICATIONS

- Tradename:** FlexPro™ Ridge Vents and Vista Vent™ Ridge Vent on Snap-Lock 1” Tall Profile Panel
- System Type:** High loft fibrous non-woven polyester venting material installed over listed non structural metal roof panels at ridge, covered with same metal type ridge cap.
- Cutout:** Cut shall be 1/2" wide slot on each side of the center of the ridge and 6" shorter at each end than the total length of the ridge vent to be installed. Cut through sheathing only, avoiding roof trusses.
- Installation:** Starting from the end of the ridge, center ridge vent baffle over the slot and secure down to the roof panel with a Miami Dade County Approved Silicone 1” form the slot. The baffle was sealed to the panel with a bead of Miami Dade County Approved Silicone at the centerline under the baffle.
- Steel Ridge Cap:** Install non-structural metal steel ridge cap with #10 x 3/4” tapping screws with intergral neoprene washer at each roofing panel rib. The baffle was sealed to the ridge cap with Miami Dade County Approved Silicone at the centerline of the baffle.
- Net Free Area:** Refer to manufacturers published literature.

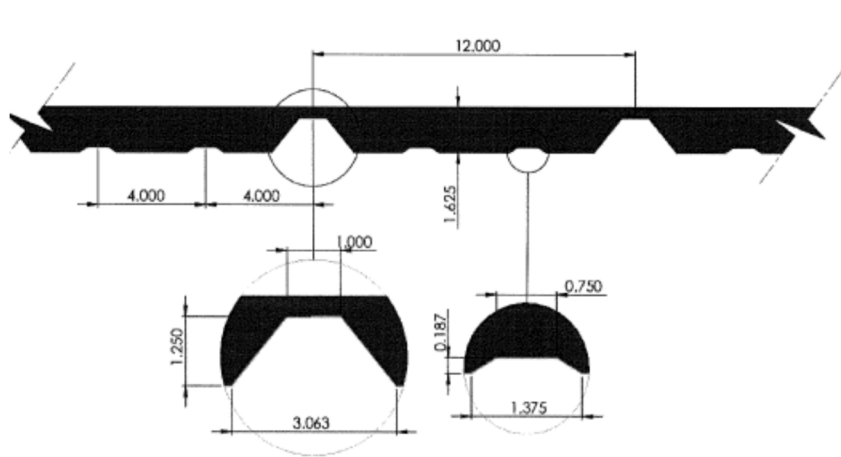
LIMITATIONS:

1. Refer to applicable Building Codes for required ventilation.
2. This acceptance is for installations on the listed non structural metal rib type roof systems only.
3. FlexPro™ Ridge Vents and Vista Vent™ Ridge Vent shall not be installed on roof mean heights greater than 33 feet.
4. All products listed herein shall have a quality assurance audit in accordance with the Florida Building Code and Rule 61G20-3 of the Florida Administrative Code.
5. All approved products listed herein shall be labeled and shall bear the imprint or identifiable marking of the manufacturer's name or logo and following statement: "Miami-Dade County Product Control Approved" or the Miami-Dade County Product Control Seal as shown below.

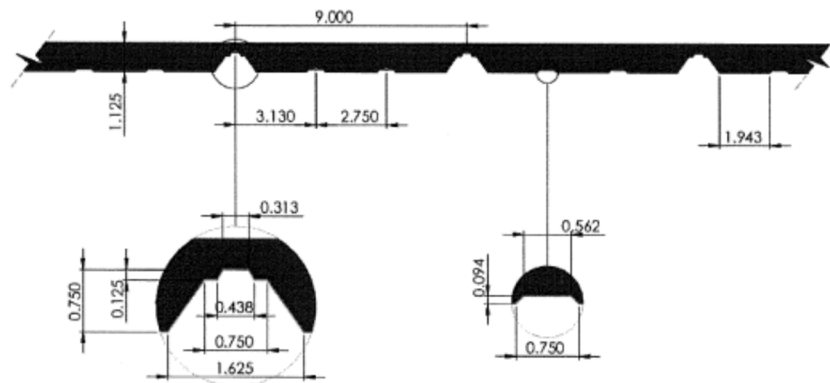


DETAIL DRAWINGS

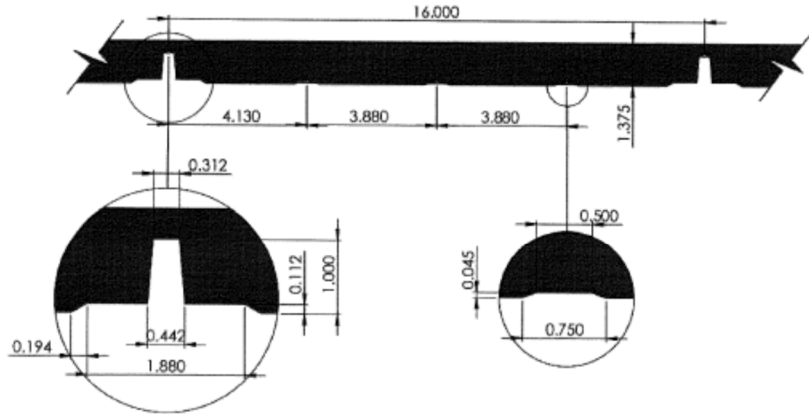
**FLEXPRO RIDGE VENT ON 1-1/4" TALL R-PANEL PROFILE /
VISTAVENT RIDGE VENT ON 1-1/4" TALL R-PANEL PROFILE**



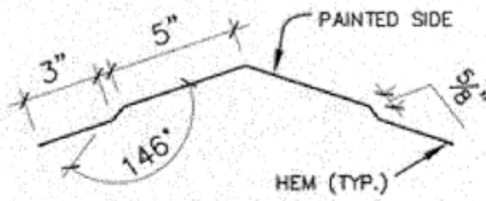
**FLEXPRO RIDGE VENT ON 3/4" RIB PANEL, 9" O.C. /
VISTAVENT RIDGE VENT ON 3/4" RIB PANEL, 9" O.C.**



**FLEXPRO RIDGE VENT ON SNAP-LOCK 1" TALL PROFILE PANEL /
VISTAVENT RIDGE VENT ON SNAP-LOCK 1" TALL PROFILE PANEL**



Ridge Cap



END OF THIS ACCEPTANCE

