



DEPARTMENT OF REGULATORY AND ECONOMIC RESOURCES (RER)
BOARD AND CODE ADMINISTRATION DIVISION

NOTICE OF ACCEPTANCE (NOA)

MIAMI-DADE COUNTY
PRODUCT CONTROL SECTION
11805 SW 26 Street, Room 208
Miami, Florida 33175-2474
T (786) 315-2590 F (786) 315-2599
www.miamidade.gov/economy

Ply Gem Resid. Solut., div. of Cornerstone Bldg. Brands, Inc.
2415 Campbell Road
Sidney OH 45365

SCOPE:

This NOA is being issued under the applicable rules and regulations governing the use of construction materials. The documentation submitted has been reviewed and accepted by Miami-Dade County RER-Product Control Section to be used in Miami Dade County and other areas where allowed by the Authority Having Jurisdiction (AHJ).

This NOA shall not be valid after the expiration date stated below. The Miami-Dade County Product Control Section (In Miami Dade County) and/or the AHJ (in areas other than Miami Dade County) reserve the right to have this product or material tested for quality assurance purposes. If this product or material fails to perform in the accepted manner, the manufacturer will incur the expense of such testing and the AHJ may immediately revoke, modify, or suspend the use of such product or material within their jurisdiction. RER reserves the right to revoke this acceptance if it is determined by Miami-Dade County Product Control Section that this product or material fails to meet the requirements of the applicable building code.

This product is approved as described herein and has been designed to comply with the Florida Building Code, including the High Velocity Hurricane Zone.

DESCRIPTION: Mastic Aluminum Soffit

APPROVAL DOCUMENT: Drawing No. **PGSG008**, titled "Mastic Aluminum Soffit", sheets 1 through 5 of 5, dated 03/08/2024, with revision dated 05/25, prepared by the Building Drops, Inc., signed and sealed by Hermes F. Norero, P.E., bearing the Miami-Dade County Product Control revision stamp with the NOA number and expiration date by the Miami-Dade County Product Control Section.

MISSILE IMPACT RATING: None

LABELING: Each piece shall bear a permanent label marked at not more than 4' o.c. with the manufacturer's name or logo, city, state and following statement: "Miami-Dade County Product Control Approved", unless otherwise noted herein and in FBC 1709.10.

RENEWAL of this NOA shall be considered after a renewal application has been filed and there has been no change in the applicable building code negatively affecting the performance of this product.

TERMINATION of this NOA will occur after the expiration date or if there has been a revision or change in the materials, use, and/or manufacture of the product or process. Misuse of this NOA as an endorsement of any product, for sales, advertising or any other purposes shall automatically terminate this NOA. Failure to comply with any section of this NOA shall be cause for termination and removal of NOA.

ADVERTISEMENT: The NOA number preceded by the words Miami-Dade County, Florida, and followed by the expiration date may be displayed in advertising literature. If any portion of the NOA is displayed, then it shall be done in its entirety.

INSPECTION: A copy of this entire NOA shall be provided to the user by the manufacturer or its distributors and shall be available for inspection at the job site at the request of the Building Official.

This NOA **revises NOA # 24-0725.04** and consists of this page 1, evidence pages E-1, E-2 and E-3, as well as the approval document mentioned above.

The submitted documentation was reviewed by **Carlos M. Utrera, P.E.**



09/05/25

NOA No: 25-0730.14
Expiration Date: November 16, 2027
Approval Date: September 11, 2025
Page 1

NOTICE OF ACCEPTANCE EVIDENCE PAGE

1. Evidence submitted under previous NOAs

A. DRAWING “Submitted under NOA # 11-1130.02”

1. Drawing titled “Aluminum Soffit Installation, 12” Wide, T4 Solid and V-Groove Ventilated”, sheets 1 through 3 of 3, dated 07/16/2012, prepared by the manufacturer, signed and sealed by Allen N. Reeves, P.E.

B. TEST “Submitted under NOA # 07-1026.01”

1. Test report on 1) Uniform Static Air Pressure Test, Loading per FBC TAS 202-94
2) Cyclic Wind Pressure Loading per FBC, TAS 203-94
along with marked-up drawings and installation diagram of the Aluminum Soffits, prepared by Architectural Testing, Inc., Test Reports No. **75856.01-109-18, 75861.01-109-18** and **75862.01-109-18**, (all Revision 1), dated 10/05/2007, signed and sealed by Michael D. Stremmel, P.E.

C. CALCULATIONS “Submitted under NOA # 07-1026.01”

1. Installation Analysis of Aluminum Soffits, prepared by H.R. Engineering, Inc., dated 03/27/2008, sheets 1 through 4, signed and sealed by Allen N. Reeves, P.E.

D. QUALITY ASSURANCE

1. Miami-Dade Department of Regulatory and Economic Resources (RER).

E. MATERIAL CERTIFICATIONS

1. None.

F. STATEMENTS

1. Statement letter of code conformance to the 5th edition (2014) FBC issued by H.R. Engineering, Inc., dated 08/05/2016, signed and sealed by Allen N. Reeves, P.E.
2. Statement letter of code conformance to the 2007 and 2010 and no financial interest issued by H.R. Engineering, Inc., dated 04/25/2012, signed and sealed by Allen N. Reeves, P.E. **“Submitted under NOA # 11-1130.02”**
3. Certificate of amendment dated 12/01/2010 last revised in May 2002.



Carlos M. Utrera, P.E.
Product Control Examiner
NOA No: 25-0730.14
Expiration Date: November 16, 2027
Approval Date: September 11, 2025

NOTICE OF ACCEPTANCE: EVIDENCE SUBMITTED

2. Evidence submitted under NOA # 21-0628.10 and # 22-0509.02

A. DRAWINGS

1. Drawing titled “Aluminum Soffit Installation, 12” Wide, T4 Solid and V-Groove Ventilated”, sheets 1 through 3 of 3, dated 07/16/2012, prepared by the manufacturer, signed and sealed by Allen N. Reeves, P.E. on 10/06/2021.

B. TESTS

1. Test report on 1) Uniform Static Air Pressure Test, Loading per FBC TAS 202-94
2) Cyclic Wind Pressure Loading per FBC, TAS 203-94
along with marked-up drawings and installation diagram of the SAS12313 Aluminum Soffit, prepared by Intertek, Test Report No. **N3440.01-109-18**, dated 04/18/2022, signed and sealed by Vinu J. Abraham, P.E.

C. CALCULATIONS

1. None.

D. QUALITY ASSURANCE

1. Miami-Dade Department of Regulatory and Economic Resources (RER).

E. MATERIAL CERTIFICATIONS

1. None.

F. STATEMENTS

1. Statement letter of code conformance to the 7th edition (2020) of the FBC and of no financial interest, issued by H.R. Engineering, Inc., dated 05/28/2021, signed and sealed by Allen N. Reeves, P.E.
2. Certificate of Merger between Ply Gem Parent, LLC and NCI Building Systems, Inc. under the name of NCI Building Systems, Inc., issued by the State of Delaware, dated 11/16/2018.
3. Press release officially announcing that the merging between NCI Building Systems, Inc. and Ply Gem Building Products will operate as Cornerstone Building Brands.
4. Taxpayer Identification Number and Certification request form W-9 requested by Cornerstone Building Brands, Inc., dated 02/01/2021.
5. Testing contract letter, issued Intertek, dated 10/01/2021, signed by Vicki L. McElwain.



Carlos M. Utrera, P.E.
Product Control Examiner
NOA No: 25-0730.14
Expiration Date: November 16, 2027
Approval Date: September 11, 2025

NOTICE OF ACCEPTANCE: EVIDENCE SUBMITTED

3. Evidence submitted under NOA # 24-0725.04 and new

A. DRAWINGS

1. Drawing No. **PGSG008**, titled “Mastic Aluminum Soffit”, sheets 1 through 5 of 5, dated 03/08/2024, with revision dated 05/25, prepared by the Building Drops, Inc., signed and sealed by Hermes F. Norero, P.E.

B. TESTS

1. Test report on Uniform Static Air Pressure Test, loading per **FBC TAS 202-94**, and Cyclic Wind Pressure Loading per **FBC, TAS 203-94**, along with marked-up drawings and installation diagram of the SAS12313 Economy Triple 4” Aluminum Soffit, prepared by Intertek, Test Report No. R8319.01-109-18, dated 05/07/2025, signed and sealed by Tanya A. Dolby, P.E.
2. Test report on Uniform Static Air Pressure Test, loading per **FBC TAS 202-94**, and Cyclic Wind Pressure Loading per **FBC, TAS 203-94**, along with marked-up drawings and installation diagram of the SVGN420144 Endurance Double 6” Aluminum Soffit, prepared by Intertek, Test Report No. R8324.01-109-18, dated 05/07/2025, signed and sealed by Tanya A. Dolby, P.E.
3. Test report on Uniform Static Air Pressure Test, loading per **FBC TAS 202-94**, and Cyclic Wind Pressure Loading per **FBC, TAS 203-94**, along with marked-up drawings and installation diagram of the SVG12N20 Envoy Double 6” Aluminum Soffit, prepared by Intertek, Test Report No. R8327.01-109-18, dated 05/07/2025, signed and sealed by Tanya A. Dolby, P.E.

C. CALCULATIONS

1. Product evaluation report # 9924, prepared by Building Drops, Inc., dated 05/16/2025, signed and sealed by Hermes F. Norero, P.E.
2. Product evaluation report # 9171, prepared by Building Drops, Inc., dated 09/03/2024, signed and sealed by Hermes F. Norero, P.E.

D. QUALITY ASSURANCE

1. Miami-Dade Department of Regulatory and Economic Resources (RER).

E. MATERIAL CERTIFICATIONS

1. None.

F. STATEMENTS

1. Statement letter of code conformance to the 8th edition (2023) of the FBC, and of no financial interest, issued by Building Drops, Inc., dated 05/16/2025, signed and sealed by Hermes F. Norero, P.E.
2. Distributor agreement dated 06/20/2024.



Carlos M. Utrera, P.E.
Product Control Examiner
NOA No: 25-0730.14
Expiration Date: November 16, 2027
Approval Date: September 11, 2025

PLY GEM RESIDENTIAL SOLUTIONS DIVISION OF CORNERSTONE BUILDING BRANDS, INC.

MASTIC ALUMINUM SOFFIT



PLY GEM RESID. SOLUT., DIV. OF CORNERSTONE BLDG. BRANDS, INC.
2405 CAMPBELL ROAD
SIDNEY, OH 45365

PRODUCT REVISED
as complying with the Florida Building Code

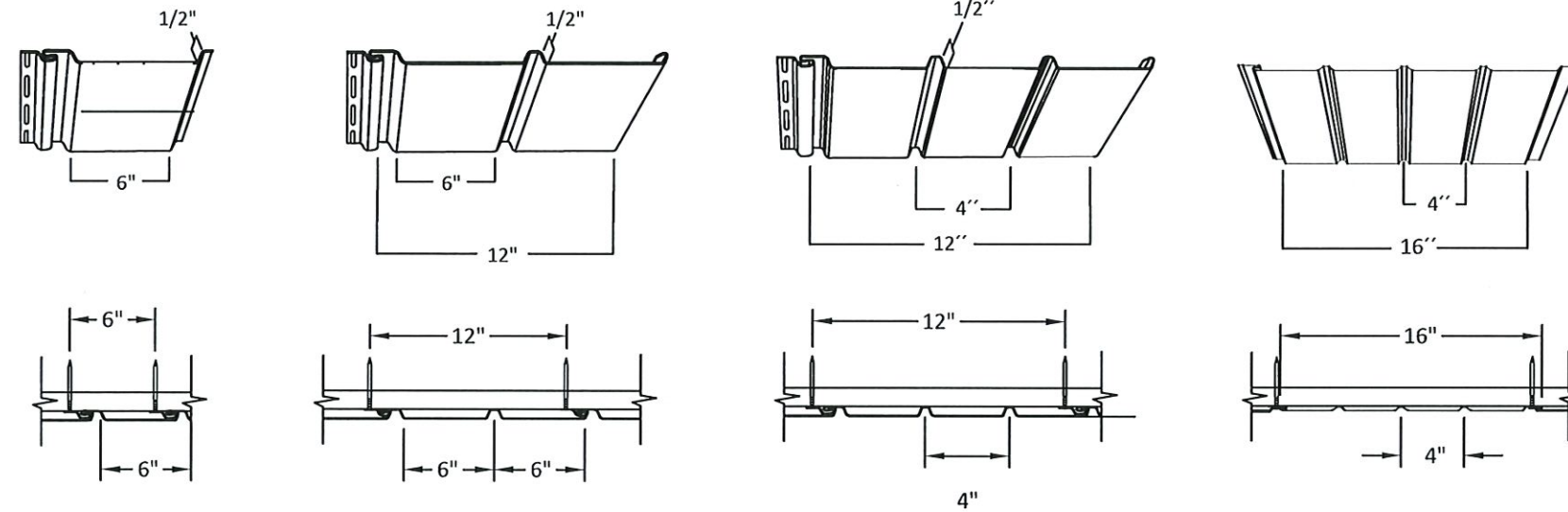
NOA-No. 25-0730.14

Expiration Date 11/16/2027

By
Miami-Dade Product Control

GENERAL NOTES

- THE PRODUCT SHOWN HEREIN IS DESIGNED AND MANUFACTURED TO COMPLY WITH THE 8TH EDITION FLORIDA BUILDING CODE (FBC), INCLUDING HVHZ AND HAS BEEN EVALUATED ACCORDING TO THE FOLLOWING:
 - AAMA 1402-09
 - TAS 202-94
 - TAS 203-94
- ADEQUACY OF THE EXISTING STRUCTURAL CONCRETE/MASONRY AND 2X FRAMING AS A MAIN WIND FORCE RESISTING SYSTEM CAPABLE OF WITHSTANDING AND TRANSFERRING APPLIED PRODUCT LOADS TO THE FOUNDATION IS THE RESPONSIBILITY OF THE ENGINEER OR ARCHITECT OF RECORD FOR THE PROJECT OF INSTALLATION.
- ALUMINUM SOFFITS MEETS THE REQUIREMENTS OF CHAPTER 14 OF THE FLORIDA BUILDING CODE.
- ALUMINUM SOFFIT SPECIFICATIONS:
 - ALUMINUM MATERIAL: 3105
 - MINIMUM WALL THICKNESS: 0.013"
 - REFER TO DESIGN PRESSURE TABLE, SHEET 1 FOR ALLOWABLE DESIGN PRESSURES.
- WALLS AND FRAMING TO RECEIVE ALUMINUM SOFFIT SHALL BE CHECKED FOR STRUCTURAL ADEQUACY, CRACKS AND DEFECTS THAT SHALL BE ELIMINATED.
- INSTALLATION OF THE SOFFIT AND ACCESSORY PRODUCTS SHALL BE DONE IN ACCORDANCE WITH THE MANUFACTURER'S INSTRUCTIONS AND THE APPLICABLE SECTIONS OF THE FBC.



SINGLE 6"

DOUBLE 6"

TRIPLE 4"

QUAD 4"

APPROVED MODELS	CONFIGURATION	EXPOSURE INCHES	THICKNESS ±.003 (in)	DESIGN PRESSURE WITH J-CHANNEL (PSF)	DESIGN PRESSURE WITH F-CHANNEL (PSF)	NET FREE AREA IN/FT ²
SVG12V20	Double 6"	12	0.019"	±55.0	+55.0/-50.0	15.00
SVG6V	Single 6"	6	0.019"	±110	+110.0/-100.0	7.50
LFA12219	Double 6"	12	0.019"	±55.0	+55.0/-50.0	10.60
LCAS12319	Triple 4"	12	0.019"	±55.0	+55.0/-50.0	4.40
SVG420144	Double 6"	12	0.016"	±55.0	+55.0/-40.0	15.00
LFAS12216	Double 6"	12	0.016"	±55.0	+55.0/-40.0	10.60
SVG12N20	Double 6"	12	0.019"	±55.0	+55.0/-50.0	0.00
SVG12L20	Double 6"	12	0.019"	±55.0	+55.0/-50.0	0.00
SVGN420144	Double 6"	12	0.016"	±55.0	+55.0/-40.0	0.00
SAS12313	Triple 4"	12	0.013"	±115.0	+75.0/-60.0	0.00
LCAS12313	Triple 4"	12	0.013"	±115.0	+75.0/-60.0	4.40
LFAS12313	Triple 4"	12	0.013"	±115.0	+75.0/-60.0	13.20
LFAS16413	Quad 4"	16	0.013"	±41.3	+56.3/-45.0	5.16
SAS16413	Quad 4"	16	0.013"	±41.3	+56.3/-45.0	0.00

LEGEND:

- DOUBLE 6 HAS "V" GROOVES EVERY 6" ACROSS WIDTH, AND EACH PANEL IS 12" WIDE.
- TRIPLE 4 OR T4 HAS "V" GROOVES EVERY 4" ACROSS WIDTH, AND EACH PANEL IS 12" WIDE.
- SINGLE 6 OR S6 HAS "V" GROOVES EVERY 6" ACROSS WIDTH, AND EACH PANEL IS 6" WIDE.

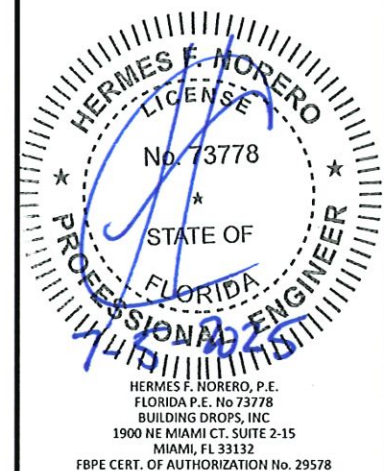
TITLE: MASTIC ALUMINUM SOFFIT

GENERAL NOTES, SOFFIT DETAILS, AND DESIGN PRESSURE TABLE

PREPARED BY: BUILDING DROPS, INC.
1900 NE MIAMI CT, SUITE 2-15
MIAMI, FL 33132
PH: (954)399-8478
FAX: (954)744-4738
WEB: www.buildingdrops.com

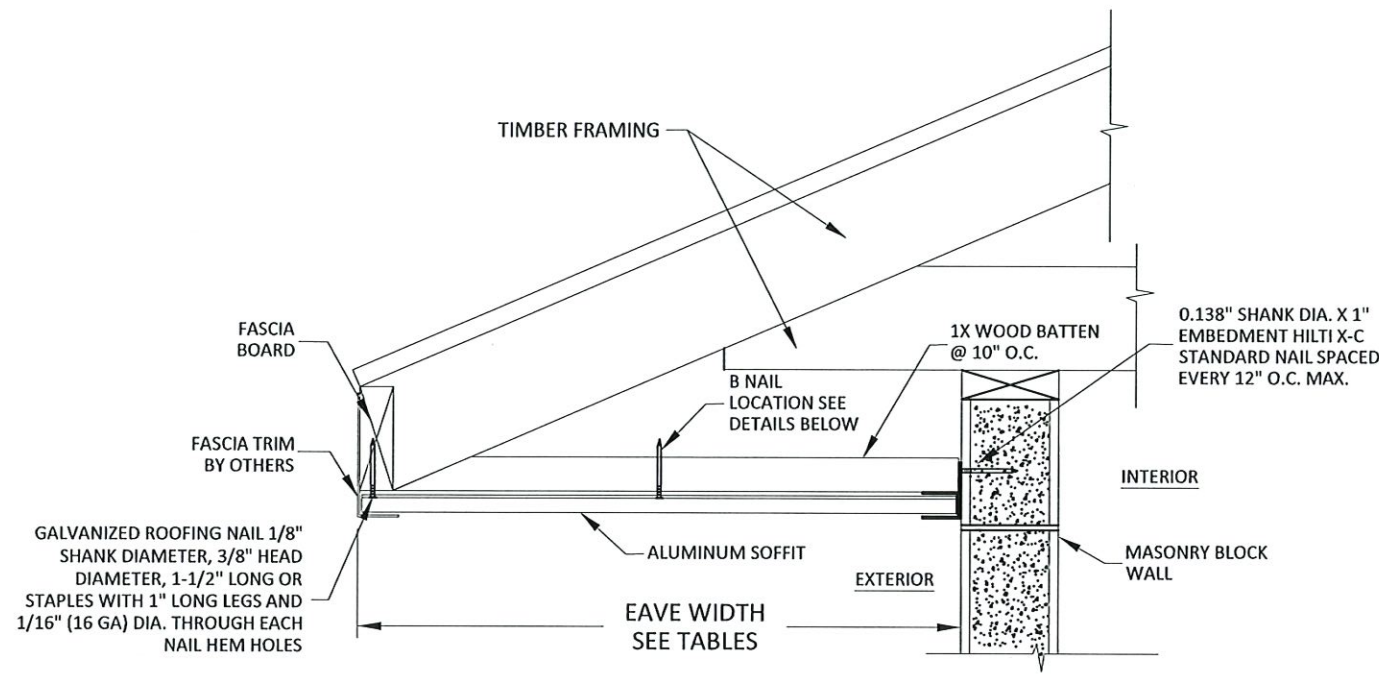
REMARKS	BY	DATE
F-CHANNEL UPDATE	MS	05/25

THE INSTALLATION DETAILS DESCRIBED HEREIN ARE GENERIC AND MAY NOT REFLECT ACTUAL CONDITIONS FOR A SPECIFIC SITE. IF SITE CONDITIONS CAUSE INSTALLATION TO DEVIATE FROM THE REQUIREMENTS DETAILED HEREIN, A LICENSED ENGINEER OR ARCHITECT SHALL PREPARE SITE SPECIFIC DOCUMENTS FOR USE WITH THIS DOCUMENT.

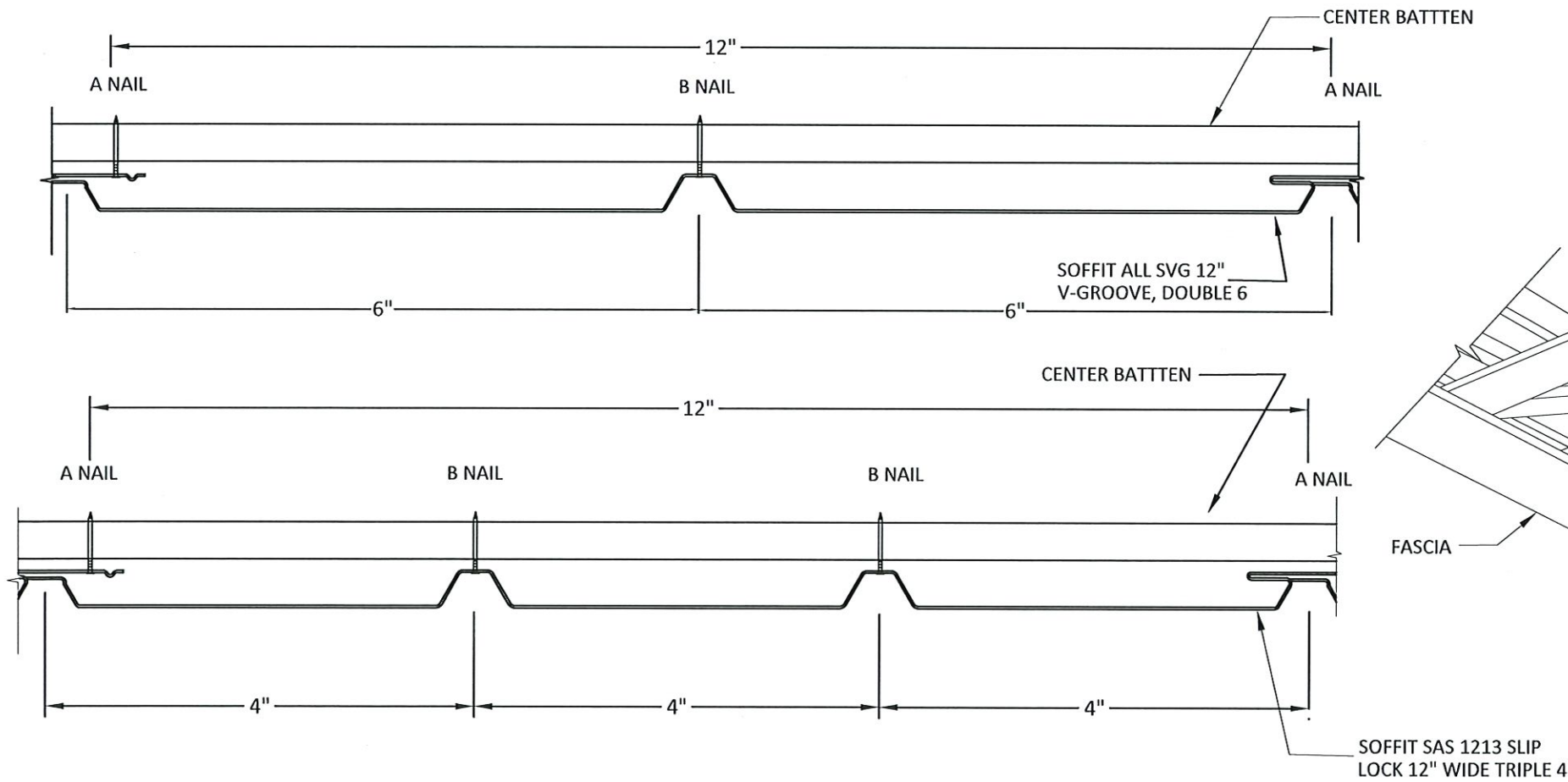


DATE:	03.08.24
DWG. BY:	RN
CHK. BY:	HFN
SCALE:	NTS
DWG. #:	PGSG008

SHEET: 1 OF 5



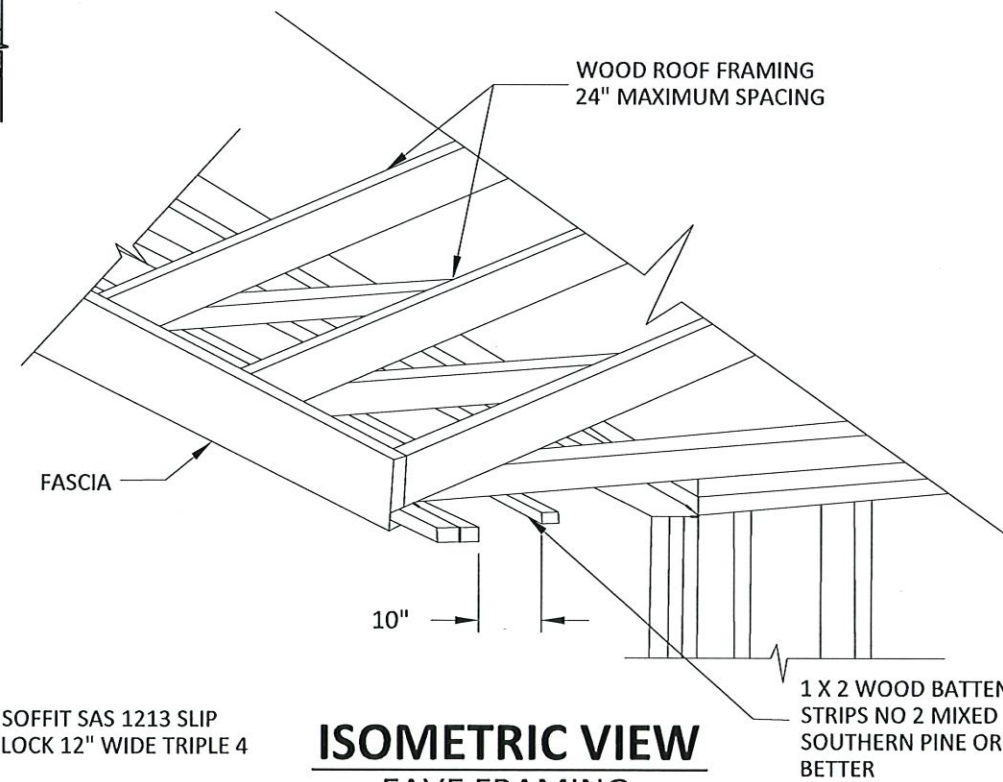
A
2 **VERTICAL SECTION**
SOFFIT INSTALLATION DETAIL
MASONRY BLOCK WALLS



NAILING PATTERN A: 10" ALONG INTERLOCK X 12" ALONG WIDTH
NAILING PATTERN B: SINGLE ROW IN EACH GROOVE ALONG CENTER BATTEN

NAILS A: JOINT AREA .12" DIA. SHANK 3/8" DIA. HD. 1-1/2" LONG
NAILS B: GROOVE AREA .10" DIA. SHANK 3/16" DIA. HD. 2" LONG

BATTEN 1" X 2" P.T. SOUTHERN PINE CONSTRUCTION GRADE



ISOMETRIC VIEW
EAVE FRAMING

PRODUCT REVISED
as complying with the Florida
Building Code
NOA-No. 25-0730.14
Expiration Date 11/16/2027
By *[Signature]*
Miami-Dade Product Control

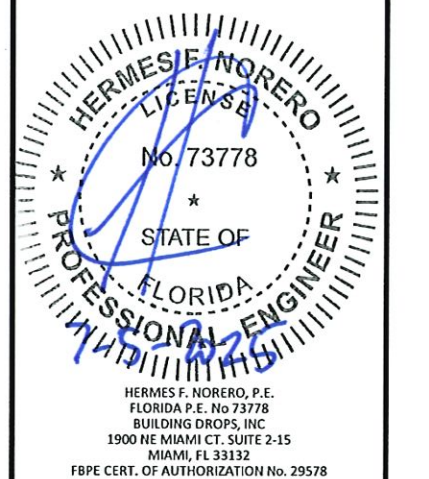


PLY GEM RESID. SOLUT., DIV. OF CORNERSTONE
BLDG. BRANDS, INC.
2405 CAMPBELL ROAD
SIDNEY, OH 45365

TITLE: MASTIC ALUMINUM SOFFIT
VERTICAL SECTION AND INSTALLATION DETAILS
PREPARED BY: BUILDING DROPS, INC.
1900 NE MIAMI CT, SUITE 2-15
MIAMI, FL 33132
PH: (954) 959-8478
FAX: (954) 744-4738
WEB: www.buildingdrops.com

REMARKS	BY	DATE
F-CHANNEL UPDATE	MS	05/25

THE INSTALLATION DETAILS DESCRIBED HEREIN ARE GENERIC AND MAY NOT REFLECT ACTUAL CONDITIONS FOR A SPECIFIC SITE. IF SITE CONDITIONS CAUSE INSTALLATION TO DEVIATE FROM THE REQUIREMENTS DETAILED HEREIN, A LICENSED ENGINEER OR ARCHITECT SHALL PREPARE SITE SPECIFIC DOCUMENTS FOR USE WITH THIS DOCUMENT.



DATE: 03.08.24

DWG. BY: RN CHK. BY: HFN

SCALE: NTS

DWG. #: PGSG008

SHEET:

2

OF 5

PRODUCT REVISED
 as complying with the Florida
 Building Code
 NOA-No. 25-0730.14

Expiration Date 11/16/2027

By *[Signature]*
 Miami-Dade Product Control

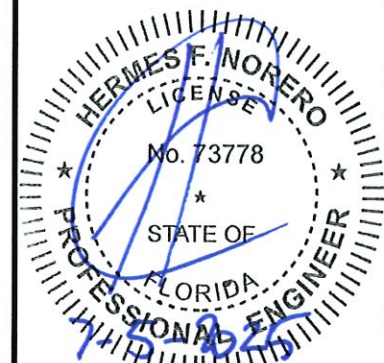


PLY GEM RESID. SOLUT., DIV. OF CORNERSTONE
 BLDG. BRANDS, INC.
 2405 CAMPBELL ROAD
 SIDNEY, OH 45365

TITLE: MASTIC ALUMINUM SOFFIT VERTICAL SECTIONS
 PREPARED BY: BUILDING DROPS, INC.
 1900 NE MIAMI CT, SUITE 2-15
 MIAMI, FL 33132
 PH: (954)399-8478
 FAX: (954)744-4738
 WEB: www.buildingdrops.com

REMARKS	BY	DATE
F-CHANNEL UPDATE	MS	05/25

THE INSTALLATION DETAILS DESCRIBED HEREIN ARE GENERIC AND MAY NOT REFLECT ACTUAL CONDITIONS FOR A SPECIFIC SITE. IF SITE CONDITIONS CAUSE INSTALLATION TO DEVIATE FROM THE REQUIREMENTS DETAILED HEREIN, A LICENSED ENGINEER OR ARCHITECT SHALL PREPARE SITE SPECIFIC DOCUMENTS FOR USE WITH THIS DOCUMENT.



HERMES F. NORERO, P.E.
 FLORIDA P.E. No. 73778
 BUILDING DROPS, INC.
 1900 NE MIAMI CT, SUITE 2-15
 MIAMI, FL 33132
 FBPE CERT. OF AUTHORIZATION No. 29578

DATE: 03.08.24

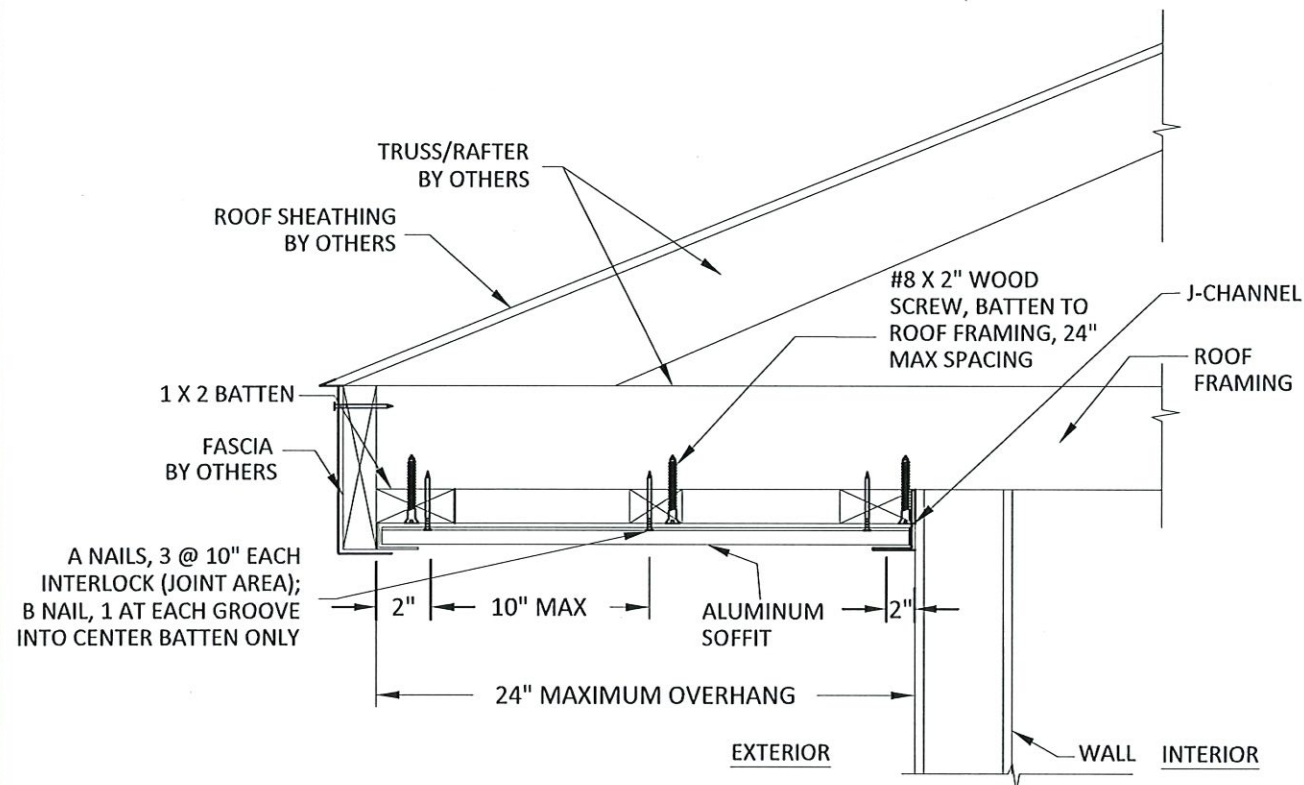
DWG. BY: RN | CHK. BY: HFN

SCALE: NTS

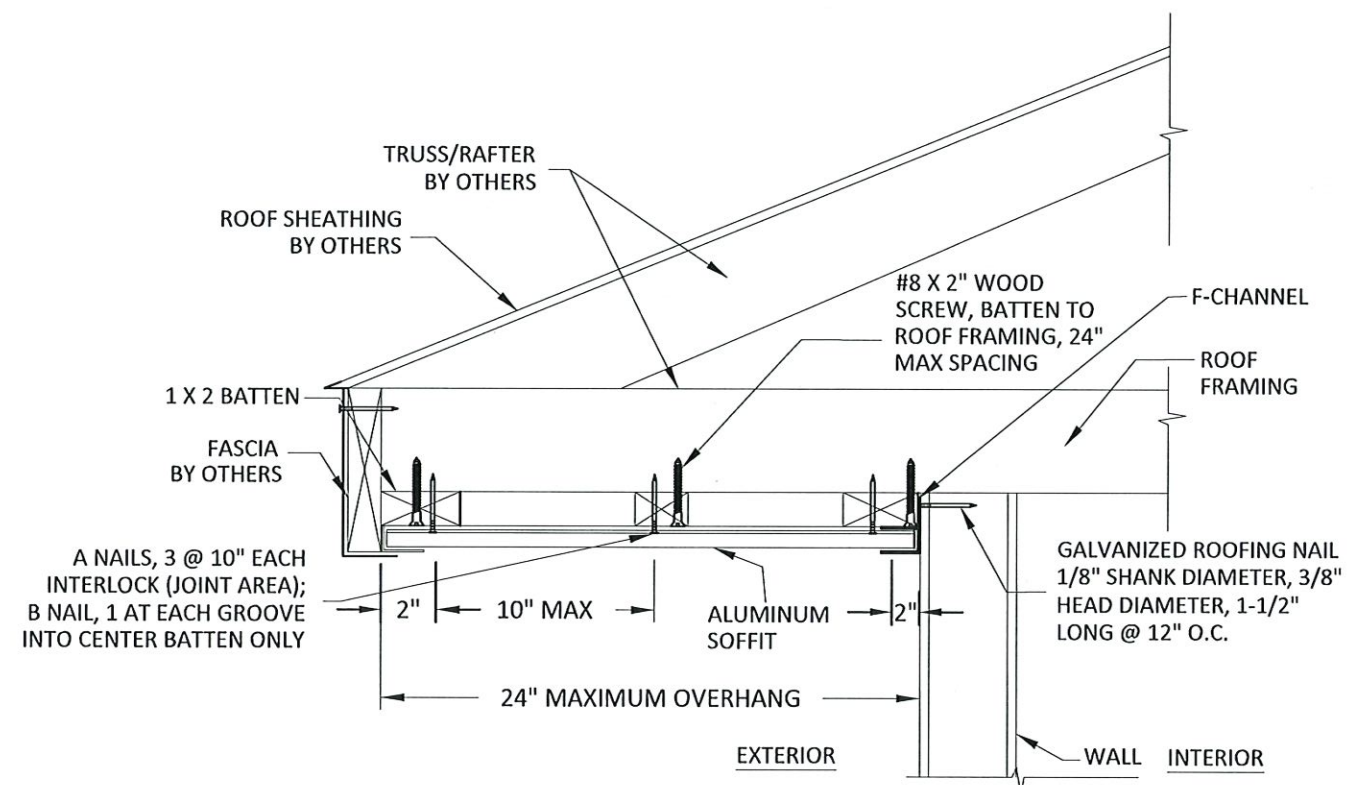
DWG. #: PGSG008

SHEET: 3

OF 5



B
3 VERTICAL SECTION
 SOFFIT INSTALLATION DETAIL
 W/ J-CHANNEL



C
3 VERTICAL SECTION
 SOFFIT INSTALLATION DETAIL
 W/ F-CHANNEL

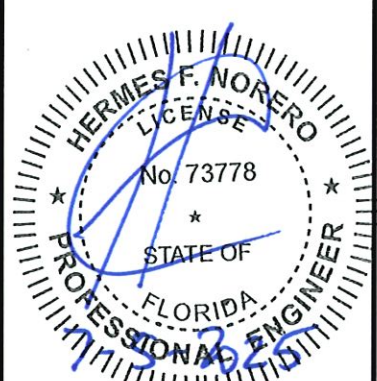
TITLE: MASTIC ALUMINUM SOFFIT
GENERAL NOTES AND SOFFIT DETAILS

PREPARED BY: BUILDING DROPS, INC.
1900 NE MIAMI CT, SUITE 2-15
MIAMI, FL 33132
PH: (954) 959-8478
FAX: (954) 744-4738
WEB: www.buildingdrops.com



REMARKS	BY	DATE
F-CHANNEL UPDATE	MS	05/25

THE INSTALLATION DETAILS DESCRIBED HEREIN ARE GENERIC AND MAY NOT REFLECT ACTUAL CONDITIONS FOR A SPECIFIC SITE. IF SITE CONDITIONS CAUSE INSTALLATION TO DEVIATE FROM THE REQUIREMENTS DETAILED HEREIN, A LICENSED ENGINEER OR ARCHITECT SHALL PREPARE SITE SPECIFIC DOCUMENTS FOR USE WITH THIS DOCUMENT.



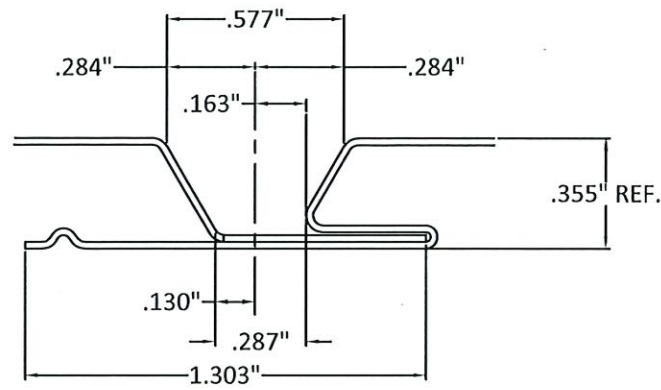
HERMES F. NORERO, P.E.
FLORIDA P.E. No. 73778
BUILDING DROPS, INC.
1900 NE MIAMI CT, SUITE 2-15
MIAMI, FL 33132
FBPE CERT. OF AUTHORIZATION No. 29578

DATE: 03.08.24

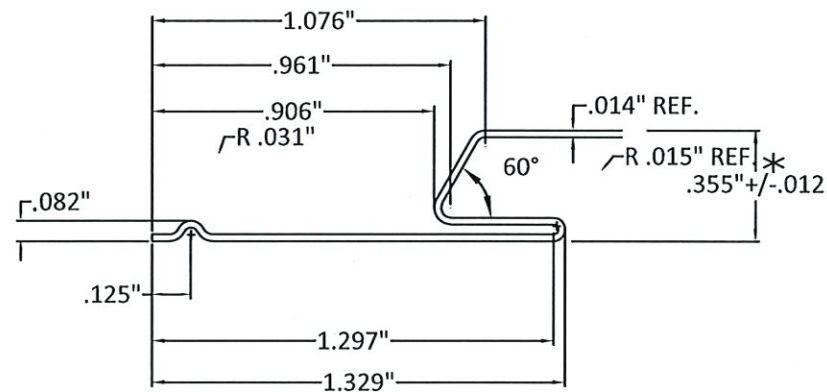
DWG. BY: RN	CHK. BY: HFN
SCALE: NTS	
DWG. #: PGSG008	
SHEET: 4	

GENERAL NOTES

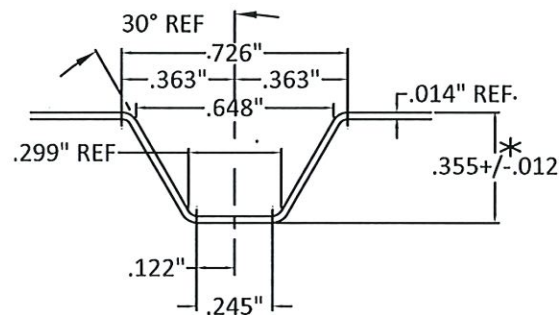
1. MATERIAL - ALUMINUM ALLOY 3105-H13
2. DEVELOPED WIDTH 15.000"
3. LATEST MASTIC PAINT SPECS TO APPLY
4. STANDARD TOLERANCES DIMENSION +/- .015", ANGLE +/- 1 DEGREE, RADIUS +/- .005" UNLESS OTHERWISE SPECIFIED
5. OIL CANNING, BUCKLING, RIPPLES, AND CHATTER CHARACTERISTICS SHALL BE EVALUATED BY A PANEL OF ABF MANAGEMENT USING AN ABF EVALUATION FORM (REF. OIL CAN EVALUATION NO.001).
6. TOOLING MUST BE IN CONTROL AND CAPABLE TO MANUFACTURE THE PART WITHIN ESTABLISHED SPECIFICATION AND TOLERANCES.
7. KEY CHARACTERISTICS ARE NOTED BY (*) ASTERISK. DIMENSIONS TO BE HELD IN CONTROL AND CAPABLE TO A CPK OF 1.33 OR GREATER.
8. ALL INSIDE RADII TO BE .031" UNLESS OTHERWISE NOTED
9. PRODUCT CODE: SAS12313, LCAS12313, LFA12313



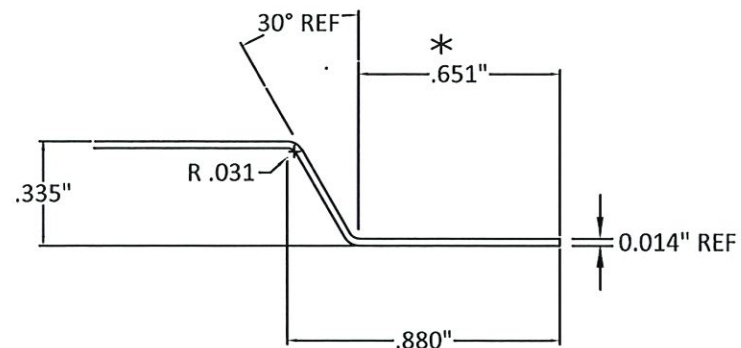
DETAIL A



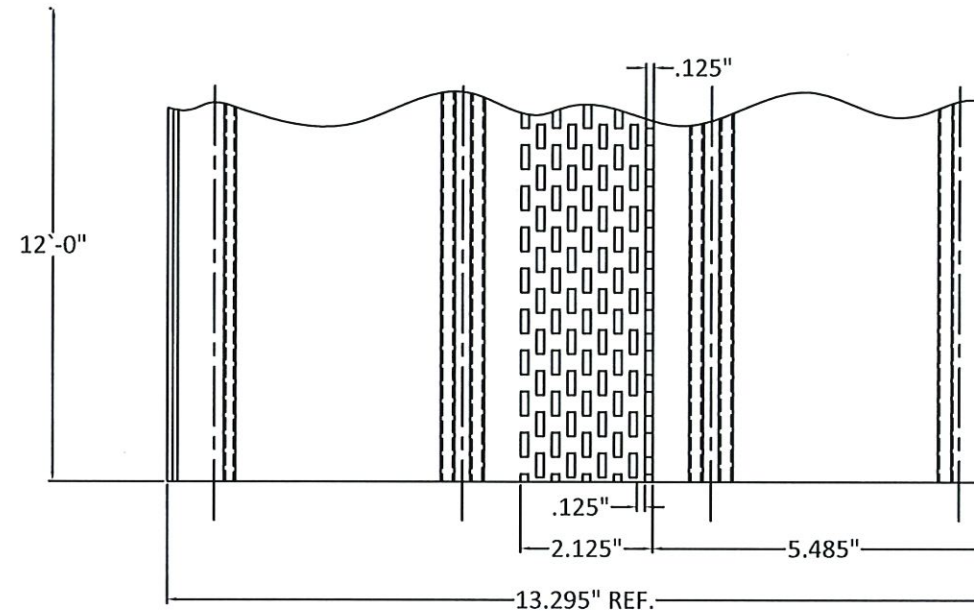
DETAIL B



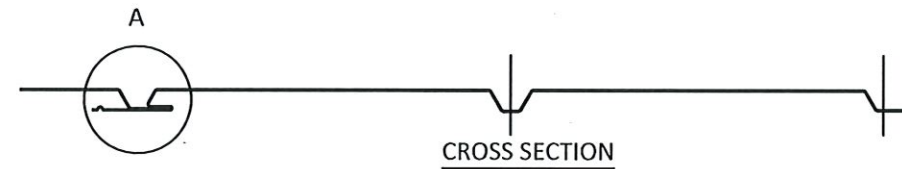
DETAIL C



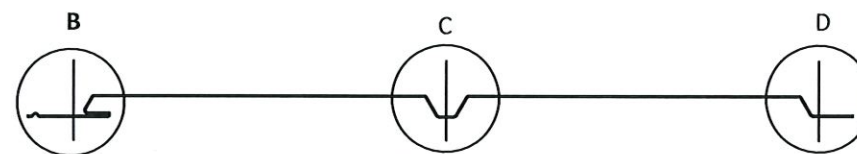
DETAIL D



PLAN VIEW

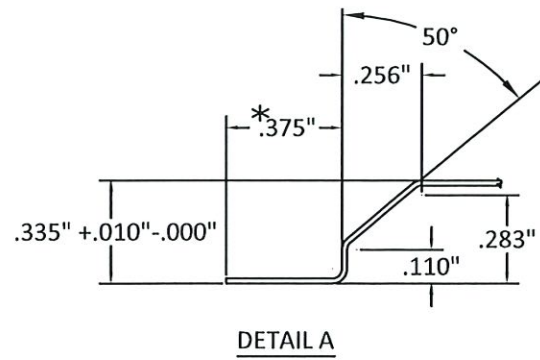


CROSS SECTION

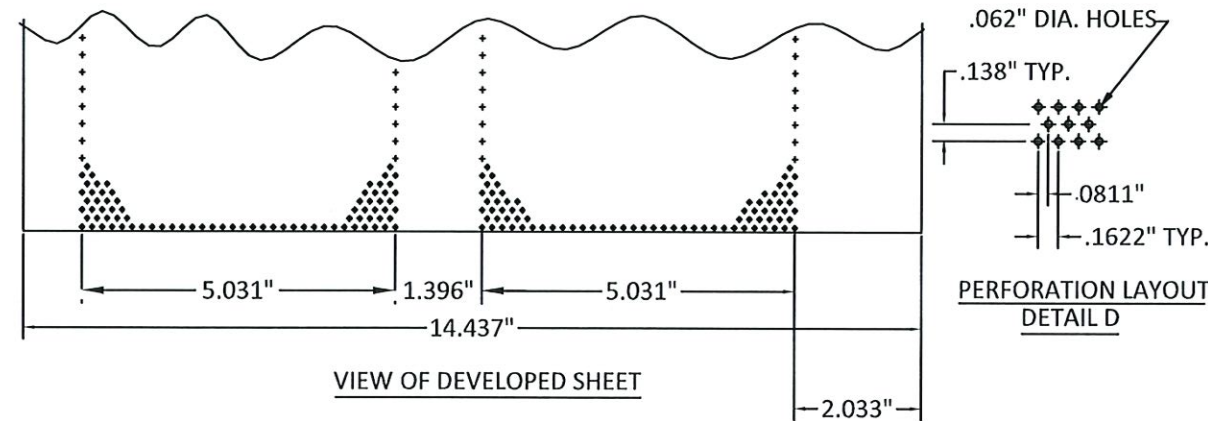


END VIEW

PRODUCT REVISED
as complying with the Florida
Building Code
NOA-No. 25-0730.14
Expiration Date 11/16/2027
By *[Signature]*
Miami-Dade Product Control



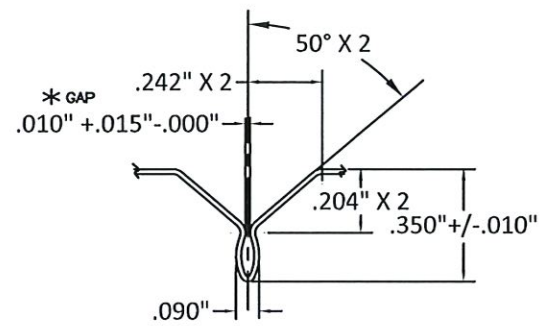
DETAIL A



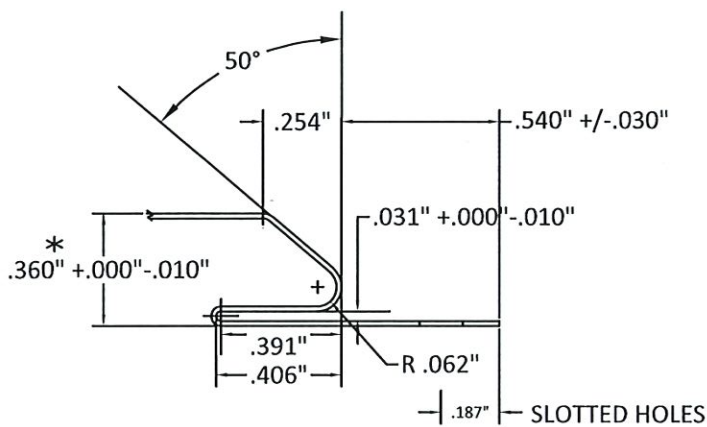
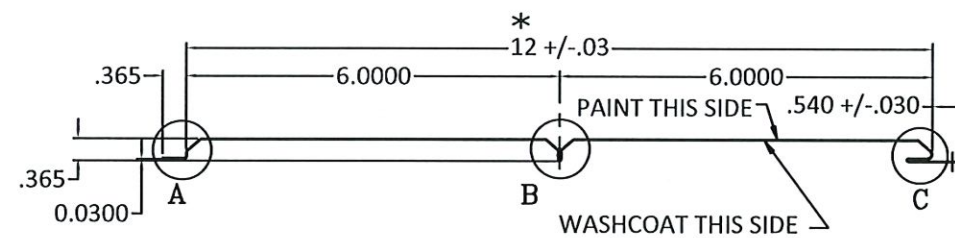
VIEW OF DEVELOPED SHEET

GENERAL NOTES

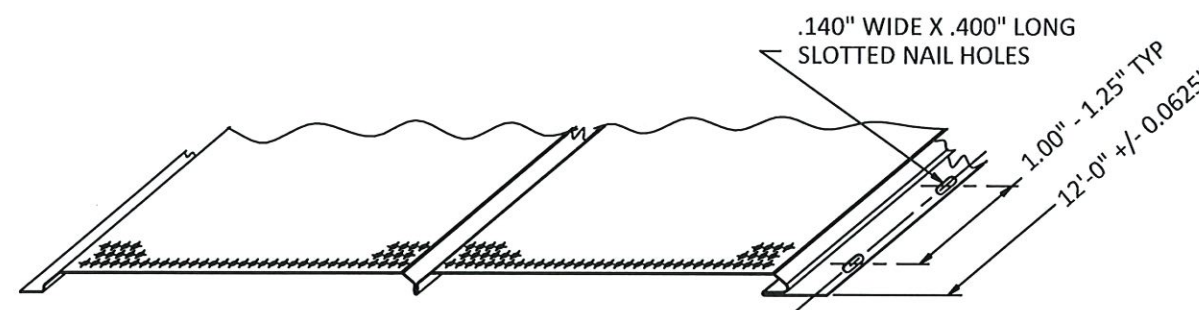
1. MATERIAL - ALUMINUM ALLOY 3105-H13
2. GAUGE .016"(SVGN420144, SVGV420144); .019" (SVGN12N20, SVG12N20T, SVG12V20, SVG12V20T)
3. DEVELOPED WIDTH 14.437" +/- .016"
4. LATEST MASTIC PAINT SPECS TO APPLY, ALUMALURE 2000.
5. STANDARD TOLERANCES DIMENSION +/- .015", ANGLE +/- 1 DEGREE, RADIUS +/- .005" UNLESS OTHERWISE SPECIFIED
6. TRANSVERSE BOW DOWN-MAX .031"
7. OIL CANNING, BUCKLING, RIPPLES, AND CHATTER CHARACTERISTICS SHALL BE EVALUATED BY A PANEL OF ABF MANAGEMENT USING AN ABF EVALUATION FORM (REF. OIL CAN EVALUATION NO.001).
8. TOOLING MUST BE IN CONTROL AND CAPABLE TO MANUFACTURE THE PART WITHIN ESTABLISHED SPECIFICATION AND TOLERANCES.
9. KEY CHARACTERISTICS ARE NOTED BY (*) ASTERISK. DIMENSIONS TO BE HELD IN CONTROL AND CAPABLE TO A CPK OF 1.33 OR GREATER.
10. ALL INSIDE RADII TO BE .031" UNLESS OTHERWISE NOTED



DETAIL B



DETAIL C



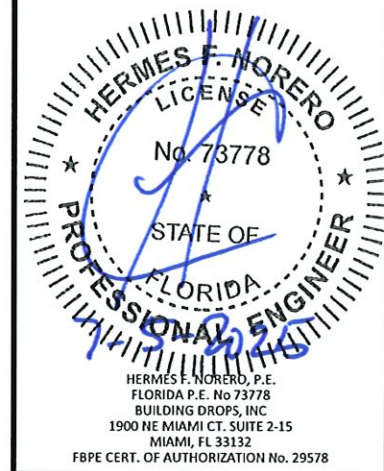
TITLE: MASTIC ALUMINUM SOFFIT

GENERAL NOTES AND SOFFIT DETAILS

PREPARED BY: BUILDING DROPS, INC.
1900 NE MIAMI CT, SUITE 2-15
MIAMI, FL 33132
PH: (954) 999-8478
FAX: (954) 744-4738
WEB: www.buildingdrops.com

REMARKS	BY	DATE
F-CHANNEL UPDATE	MS	05/25

THE INSTALLATION DETAILS DESCRIBED HEREIN ARE GENERIC AND MAY NOT REFLECT ACTUAL CONDITIONS FOR A SPECIFIC SITE. IF SITE CONDITIONS CAUSE INSTALLATION TO DEVIATE FROM THE REQUIREMENTS DETAILED HEREIN, A LICENSED ENGINEER OR ARCHITECT SHALL PREPARE SITE SPECIFIC DOCUMENTS FOR USE WITH THIS DOCUMENT.



DATE: 03.08.24	
DWG. BY: RN	CHK. BY: HFN
SCALE: NTS	
DWG. #: PGSG008	
SHEET: 5	

PRODUCT REVISED
as complying with the Florida Building Code
NOA-No. 25-0730.14
Expiration Date 11/16/2027
By *[Signature]*
Miami-Dade Product Control