



MIAMI-DADE COUNTY  
**PRODUCT CONTROL SECTION**  
 11805 SW 26 Street, Room 208  
 Miami, Florida 33175-2474  
 T (786) 315-2590 F (786) 315-2599  
[www.miamidade.gov/building](http://www.miamidade.gov/building)

DEPARTMENT OF REGULATORY AND ECONOMIC RESOURCES (RER)  
 BOARD AND CODE ADMINISTRATION DIVISION  
**NOTICE OF ACCEPTANCE (NOA)**

**Amarr Garage Doors dba Entrematic**  
**165 Carriage Court**  
**Winston Salem, NC 27105**

**SCOPE:** This NOA is being issued under the applicable rules and regulations governing the use of construction materials. The documentation submitted has been reviewed and accepted by Miami-Dade County RER-Product Control Section to be used in Miami Dade County and other areas where allowed by the Authority Having Jurisdiction (AHJ).

This NOA shall not be valid after the expiration date stated below. The Miami-Dade County Product Control Section (In Miami Dade County) and/or the AHJ (in areas other than Miami Dade County) reserve the right to have this product or material tested for quality assurance purposes. If this product or material fails to perform in the accepted manner, the manufacturer will incur the expense of such testing and the AHJ may immediately revoke, modify, or suspend the use of such product or material within their jurisdiction. RER reserves the right to revoke this acceptance, if it is determined by Miami-Dade County Product Control Section that this product or material fails to meet the requirements of the applicable building code.

This product is approved as described herein and has been designed to comply with the Florida Building Code, including the High Velocity Hurricane Zone.

**DESCRIPTION: Model 1200/1225 Heritage/Northwoods 3000 (Dp: +57.0, -67.5 psf) EPS Insulated Steel Sectional Garage Door up to 9'-0" Wide with Optional Impact Resistant Window**

**APPROVAL DOCUMENT:** Drawing No. **IRC-1209-190-15-F**, titled "Model #1200/1225 Amarr Heritage/Northwoods 3000", sheets 1 through 3 of 3, dated 03/17/2022, prepared by manufacturer, signed and sealed by Thomas L. Shelmerdine, P.E. on 03/02/2026, bearing the Miami-Dade County Product Control Revision stamp with the Notice of Acceptance number and expiration date by the Miami-Dade County Product Control Section.

**MISSILE IMPACT RATING: Large and Small Missile Impact Resistant**

**LABELING:** Each unit shall bear a permanent label with the manufacturer's name or logo, manufacturing address, model number, the positive and negative design pressure rating, indicate impact rated if applicable, installation instruction drawing reference number, approval number (NOA), the applicable test standards, and the statement reading 'Miami-Dade County Product Control Approved' is to be located on the door's side track, bottom angle, or inner surface of a panel.

**RENEWAL** of this NOA shall be considered after a renewal application has been filed and there has been no change in the applicable building code negatively affecting the performance of this product.

**TERMINATION** of this NOA will occur after the expiration date or if there has been a revision or change in the materials, use, and/or manufacture of the product or process. Misuse of this NOA as an endorsement of any product, for sales, advertising or any other purposes shall automatically terminate this NOA. Failure to comply with any section of this NOA shall be cause for termination and removal of NOA.

**ADVERTISEMENT:** The NOA number preceded by the words Miami-Dade County, Florida, and followed by the expiration date may be displayed in advertising literature. If any portion of the NOA is displayed, then it shall be done in its entirety.

**INSPECTION:** A copy of this entire NOA shall be provided to the user by the manufacturer or its distributors and shall be available for inspection at the job site at the request of the Building Official.

This NOA **revises NOA No. 23-1114.11** and consists of page 1 and evidence page E-1, E-2, E-3 and E-4, as well as approval document mentioned above.

The submitted documentation was reviewed by **Carlos M. Utrera, P.E.**



04/08/26

NOA No. 25-1218.16  
 Expiration Date: June 13, 2029  
 Approval Date: April 16, 2026

**Amarr Garage Doors dba Entrematic**

**NOTICE OF ACCEPTANCE: EVIDENCE SUBMITTED**

**1. EVIDENCE SUBMITTED UNDER PREVIOUS NOA's**

**A. DRAWINGS**

1. Manufacturer's die drawings and sections.  
*(Submitted under NOA No. 19-0205.04)*
2. Drawing No. **IRC-1209-190-15-F**, titled "Model #1200 Amarr Heritage & Oak Summit 3000; Short, Long, Flush and Oak Summit Panels", sheets 1 through 3 of 3, dated 08/01/18, prepared by manufacturer, signed and sealed by Thomas L. Shelmerdine, P.E.  
*(Submitted under NOA No. 19-0205.04)*

**B. TESTS**

1. Test reports on: 1) Uniform Static Air Pressure Test, Loading per FBC TAS 202-94  
2) Large Missile Impact Test per FBC, TAS 201-94  
3) Cyclic Wind Pressure Loading per FBC, TAS 203-94  
4) Tensile Test per ASTM E8  
5) Forced Entry Resistance Test per FBC, TAS 202-94  
along with marked-up drawings and installation diagram of 9'x 7' 24 ga. Model 1200 Steel Garage Doors, prepared by American Test Lab, Inc., Test Report No. **ATLNC 0327.01-18**, dated 08/07/18, signed and sealed by David W. Johnson, P.E.  
*(Submitted under NOA No. 19-0205.04)*
2. Test report on Evaluation of Painted or Coated Specimens (G-30 Galvanized with Polyester Top Coat) Subjected to Corrosive Environments per ASTM D1654-08 and ASTM B117-11, prepared by Intertek/ATI, Test Report No. **C5463.01-106-18**, dated 04/03/13, signed and sealed by Joseph A. Reed, P.E.  
*(Submitted under NOA No. 19-0205.04)*

**C. CALCULATIONS**

1. Anchor calculations prepared by Structural Solutions, P.A., dated 01/08/19, signed and sealed by Thomas L. Shelmerdine, P.E.  
*(Submitted under NOA No. 19-0205.04)*

**D. QUALITY ASSURANCE**

1. Miami-Dade Department of Regulatory and Economic Resources (RER)



---

Carlos M. Utrera, P.E.  
Product Control Examiner  
NOA No. 25-1218.16  
Expiration Date: June 13, 2029  
Approval Date: April 16, 2026

**Amarr Garage Doors dba Entrematic**

**NOTICE OF ACCEPTANCE: EVIDENCE SUBMITTED**

**1. EVIDENCE SUBMITTED UNDER PREVIOUS NOA's (CONTINUED)**

**E. MATERIAL CERTIFICATIONS**

1. UL Evaluation Report on Surface Burning Characteristics per ANSI/UL723, ASTM E84 of Flint Hills Grades 54 and 40 Expandable Polystyrene Resins, **UL ER7503-01**, issued on May 22, 2013.
2. Notice of Acceptance No. **18-0918.06** issued to **Plaskolite, LLC** for their "**TUFFAK Polycarbonate Sheets**" dated 11/15/18, expiring on 08/27/22.

**F. STATEMENTS**

1. Statement letter of conformance, complying with **FBC 7<sup>th</sup> Edition (2020)** and of no financial interest, dated August 27, 2020, issued by Structural Solutions, P.A., signed and sealed by Thomas L. Shelmerdine, P.E.  
*(Submitted under NOA No. 20-1015.37)*

**G. OTHERS**

1. Notice of Acceptance No. **19-0205.04**, issued to Amarr Garage Doors dba Entrematic for their Model 1200 Heritage & Oak Summit 3000 EPS Insulated Steel Sectional Garage Door up to 9'-0" Wide and Optional All Impact Resistant Windows (Dp +57.0, -67.5 PSF) approved on 06/13/19 and expiring on 06/13/24.



---

**Carlos M. Utrera, P.E.**  
**Product Control Examiner**  
**NOA No. 25-1218.16**  
**Expiration Date: June 13, 2029**  
**Approval Date: April 16, 2026**

**Amarr Garage Doors dba Entrematic**

**NOTICE OF ACCEPTANCE: EVIDENCE SUBMITTED**

**2. NEW EVIDENCE SUBMITTED**

**A. DRAWINGS**

1. Drawing No. **IRC-1209-190-15-F**, titled “Model #1200 Amarr Heritage 3000”, sheets 1 through 3 of 3, dated 03/11/22, prepared by manufacturer, signed and sealed by Thomas L. Shelmerdine, P.E.

**B. TESTS**

1. Test reports on: 1) Uniform Static Air Pressure Test, Loading per FBC TAS 202-94,  
2) Forced Entry Resistance Test per FBC, TAS 202-94  
3) Large Missile Impact Test per FBC, TAS 201-94  
4) Cyclic Wind Pressure Loading per FBC, TAS 203-94  
5) Tensile Test per ASTM E8

along with marked-up drawings and installation diagram of a Model 1200 Heritage 3000, Amarr 9’ x 7’, 24 ga. steel Sectional Steel Garage Door, prepared by American Test Lab, Inc., Report No. **ATLNC 0228.01-22**, dated 03/30/22, signed and sealed by David W. Johnson, P.E.

**C. CALCULATIONS**

1. Anchor calculations prepared by Structural Solutions, P.A., dated 04/04/22, signed and sealed by Thomas L. Shelmerdine, P.E.

**D. QUALITY ASSURANCE**

1. Miami-Dade Department of Regulatory and Economic Resources (RER)

**E. MATERIAL CERTIFICATIONS**

1. UL Evaluation Report on Surface Burning Characteristics per ANSI/UL723, ASTM E84 of Flint Hills Grades 54 and 40 Expandable Polystyrene Resins, **UL ER7503-01**, issued on May 22, 2013.
2. Notice of Acceptance No. **22-0317.02** issued to **Plaskolite, LLC** for their “**TUFFAK Polycarbonate Sheets**” dated 04/21/22 expiring on 08/27/27.

**F. STATEMENTS**

1. Statement letter of conformance, complying with **FBC 7<sup>th</sup> Edition (2020)** and of no financial interest, dated 04/04/20, issued by Structural Solutions, P.A., signed and sealed by Thomas L. Shelmerdine, P.E.



---

**Carlos M. Utrera, P.E.**  
**Product Control Examiner**  
**NOA No. 25-1218.16**  
**Expiration Date: June 13, 2029**  
**Approval Date: April 16, 2026**

**Amarr Garage Doors dba Entrematic**

**NOTICE OF ACCEPTANCE: EVIDENCE SUBMITTED**

**3. EVIDENCE SUBMITTED UNDER NOA # 23-1114.11 AND NEW**

**A. DRAWINGS**

1. Drawing No. **IRC-1209-190-15-F**, titled “Model #1200/1225 Amarr Heritage/Northwoods 3000”, sheets 1 through 3 of 3, dated 03/17/22, prepared by manufacturer, signed and sealed by Thomas L. Shelmerdine, P.E. on 03/02/2026.

**B. TESTS**

1. Test reports on: 1) Uniform Static Air Pressure Test, Loading per FBC TAS 202-94,  
2) Forced Entry Resistance Test per FBC, TAS 202-94  
3) Large Missile Impact Test per FBC, TAS 201-94  
4) Cyclic Wind Pressure Loading per FBC, TAS 203-94  
5) Tensile Test per ASTM E8  
along with marked-up drawings and installation diagram of a Model 1200 Amarr 9’ x 7’, 24 ga. steel Sectional Steel Garage Door, prepared by American Test Lab, Inc., Report No. **ATLNC 1109.01-21**, dated 03/30/21, signed and sealed by David W. Johnson, P.E.

**C. CALCULATIONS**

1. None.

**D. QUALITY ASSURANCE**

1. Miami-Dade Department of Regulatory and Economic Resources (RER)

**E. MATERIAL CERTIFICATIONS**

1. None.

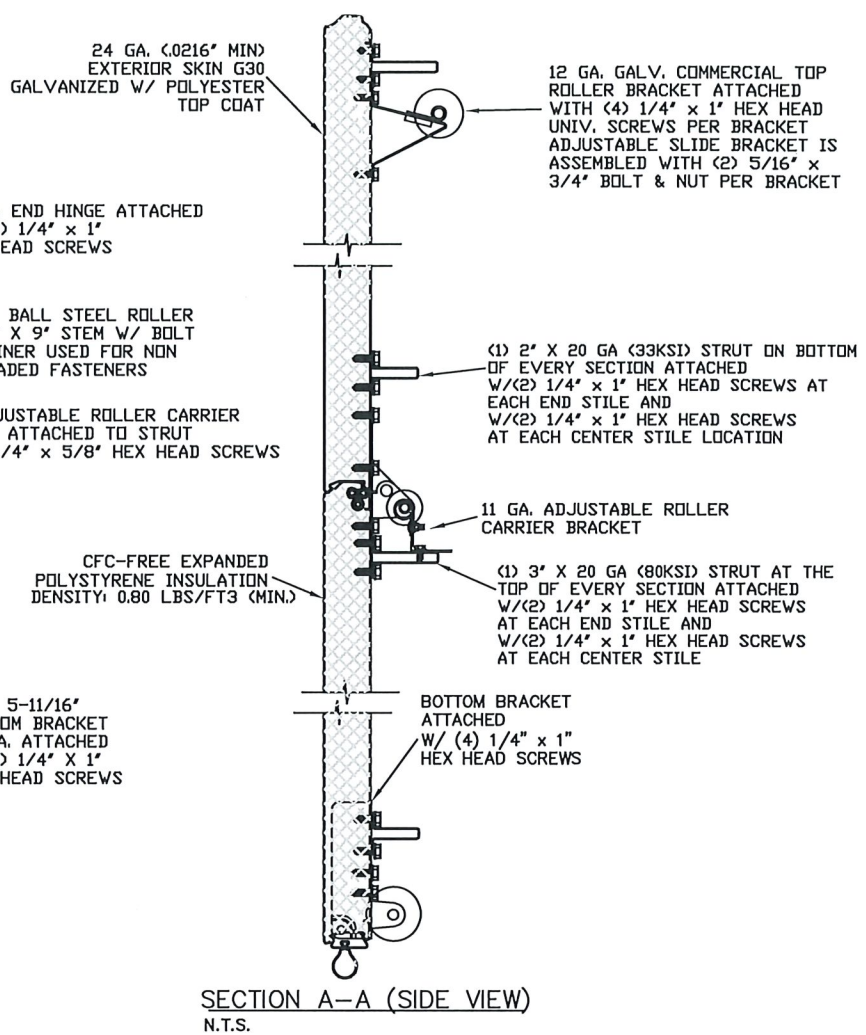
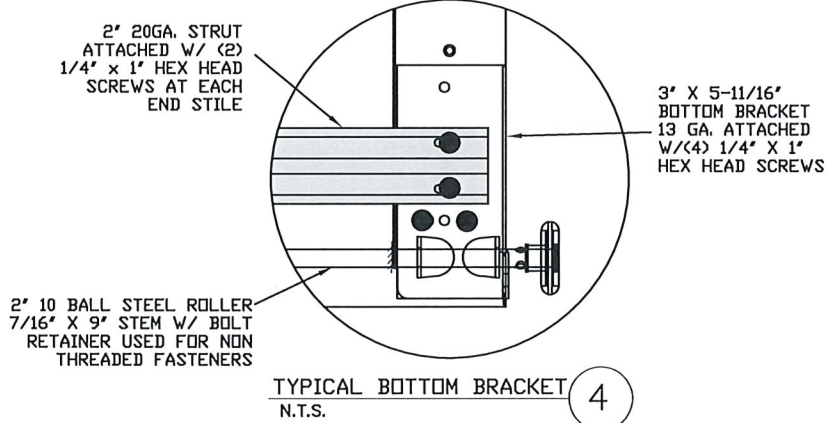
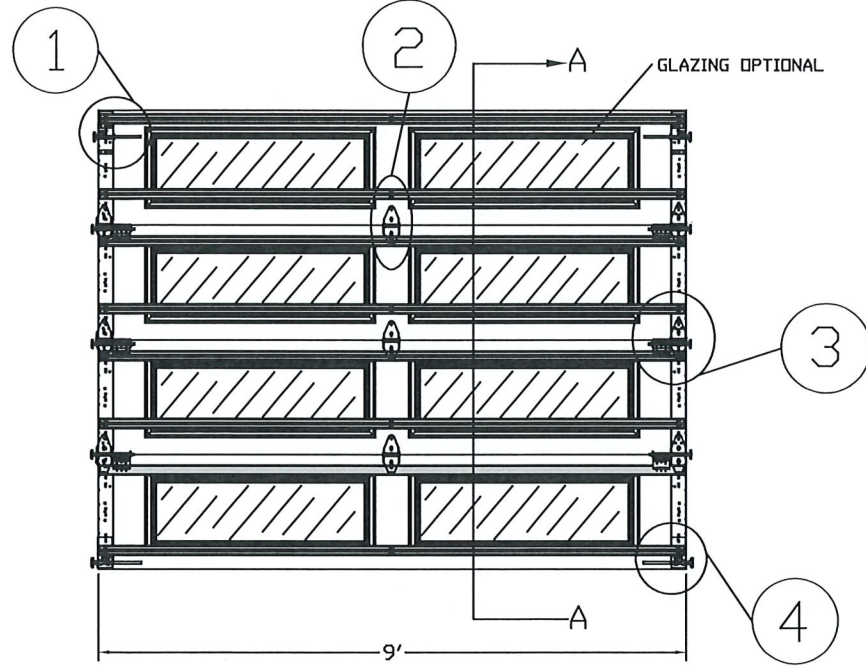
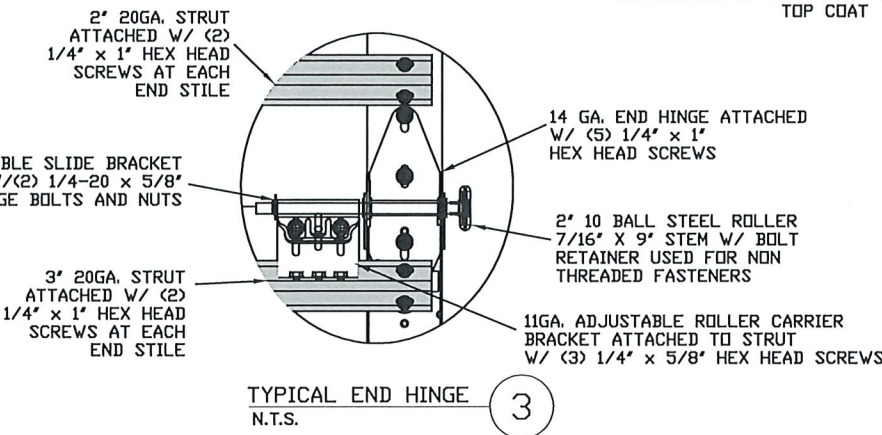
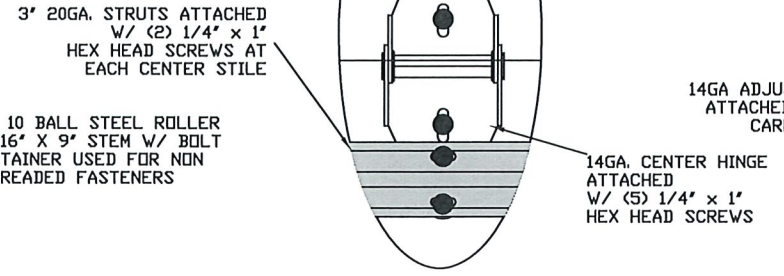
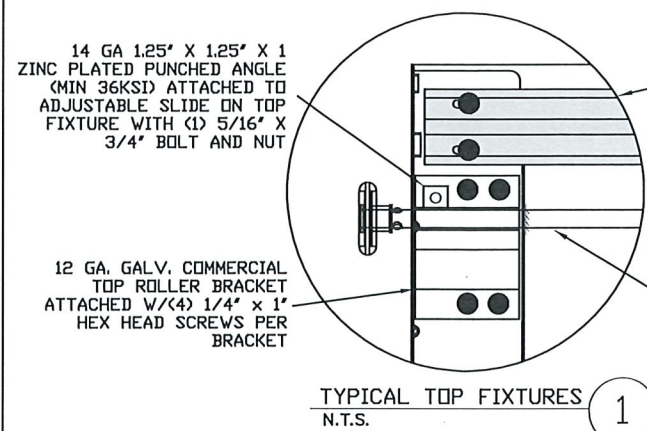
**F. STATEMENTS**

1. Statement letter of conformance, complying with **FBC 8<sup>th</sup> Edition (2023)** and of no financial interest, dated 10/27/2023, issued by Structural Solutions, P.A., signed and sealed by Thomas L. Shelmerdine, P.E.

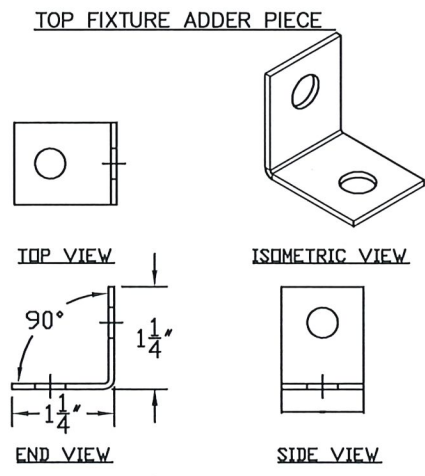
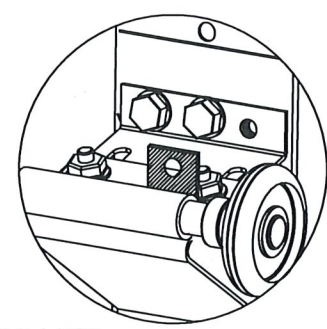


---

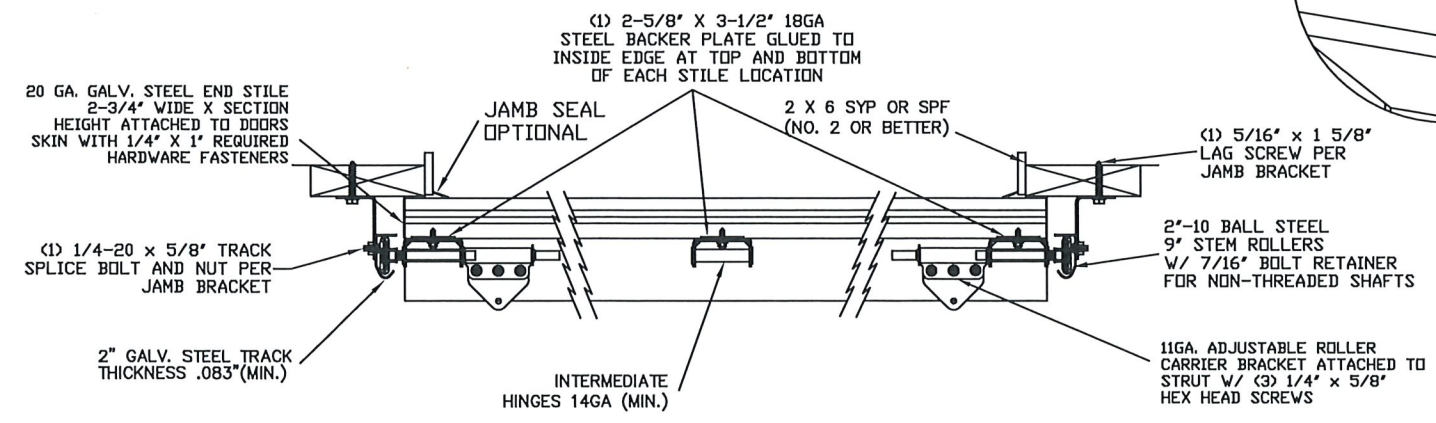
**Carlos M. Utrera, P.E.**  
**Product Control Examiner**  
**NOA No. 25-1218.16**  
**Expiration Date: June 13, 2029**  
**Approval Date: April 16, 2026**



**TOP FIXTURE REINFORCEMENT ILLUSTRATION**



**LARGE MISSILE IMPACT RESISTANT**



**TRACK MOUNTING DETAIL**  
N.T.S.

REV	DESCRIPTION OF REVISIONS	DATE	BY

MAX SIZE  
9' WIDTH  
14' HEIGHT

DESIGN LOADS  
+57.0 PSF  
-67.5 PSF

TEST LOADS  
(1.5 x DESIGN LOADS)  
+85.5 PSF  
-101.3 PSF

LARGE MISSILE  
IMPACT  
RESISTANCE

Thomas L. Shelmerdine, PE (FL PE #0048579)  
Structural Solutions, PA (FL Firm #29412)

**THOMAS L. SHELMERDINE**  
LICENSE  
No. 48579  
STATE OF FLORIDA  
PROFESSIONAL ENGINEER  
FL

dba Structural Solutions of North Carolina, Inc.  
5921-G.W. Friendly Ave., Greensboro, NC 27410

**Amarr**  
ENTRE/MATIC

**MODEL #1200 AMARR HERITAGE 3000**  
**MODEL #1225 AMARR NORTHWOODS 3000**

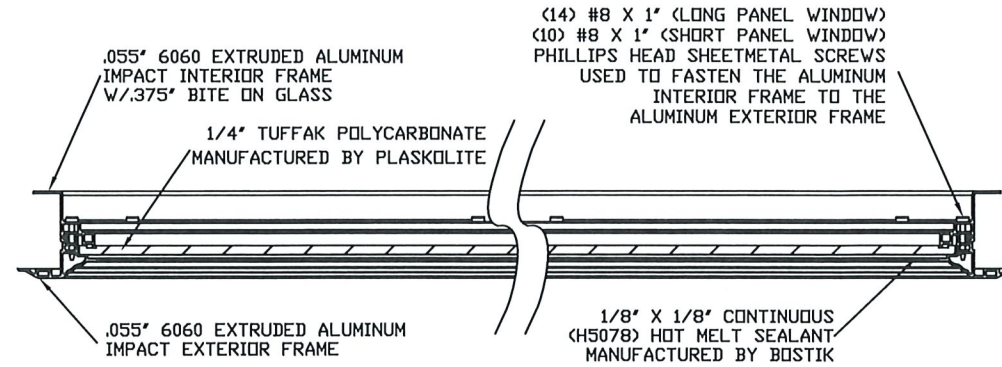
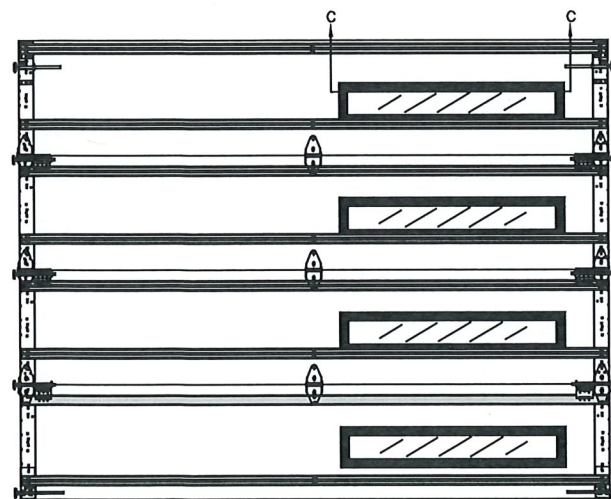
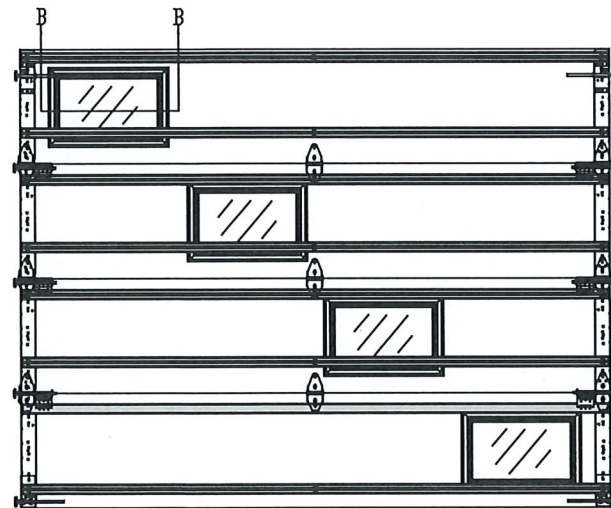
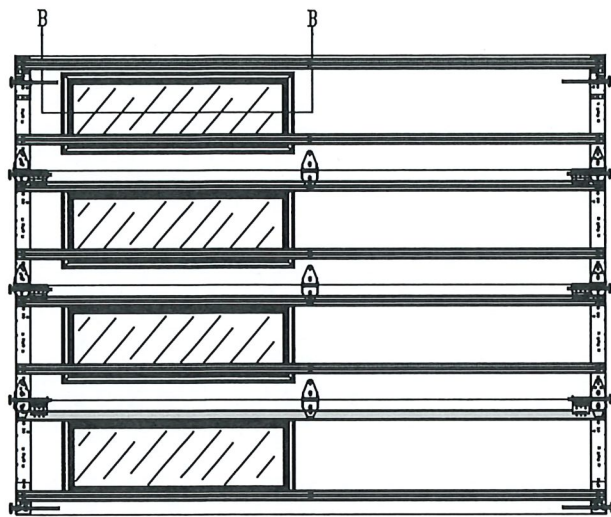
SIZE	DRAWN BY	DRC	DATE	03/11/22	DRAWING NUMBER
B	CHECKED BY	RLR	DATE	03/17/22	RC-1209-190-15-F

ENTRE/MATIC  
165 CARRIAGE COURT WINSTON-SALEM, NC. 27105

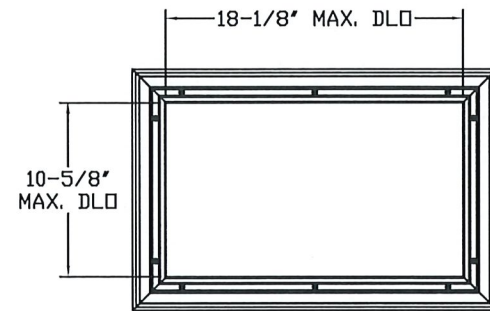
SHEET 1 OF 3

**PRODUCT REVISED**  
as complying with the Florida Building Code  
NOA-No. 25-1218.16  
Expiration Date 06/13/2029  
By *[Signature]*  
Miami-Dade Product Control

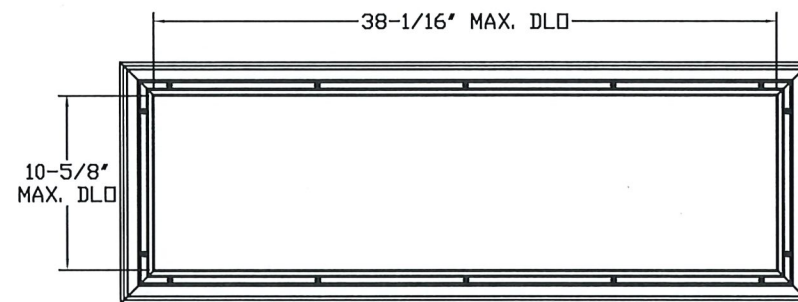
**EXAMPLES OF OPTIONAL SHORT AND LONG PANEL GLAZING LAYOUTS**  
GLAZING AVAILABLE IN ANY COMBINATION



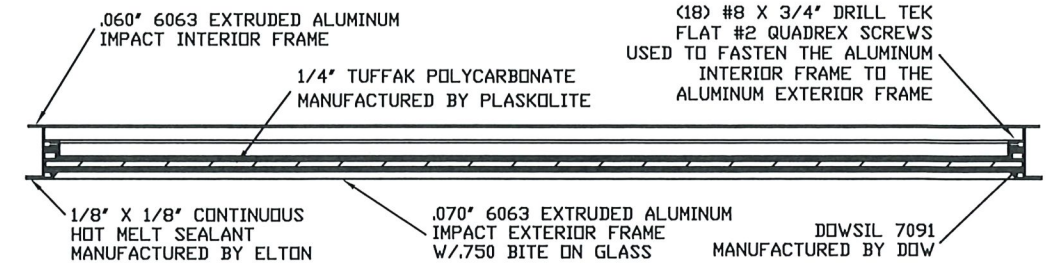
SECTION B-B IMPACT WINDOW DETAIL  
N.T.S.



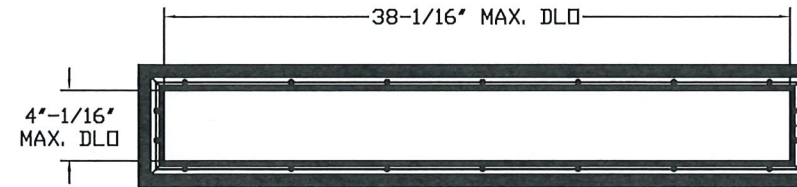
SHORT PANEL IMPACT GLAZING FASTENER DETAIL  
N.T.S.



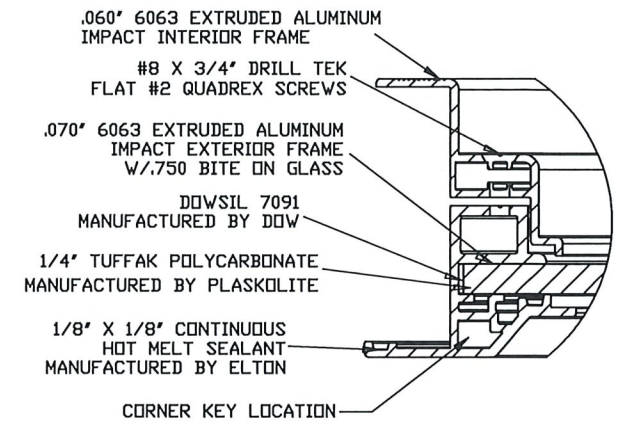
LONG PANEL IMPACT GLAZING FASTENER DETAIL  
N.T.S.



SECTION C-C IMPACT WINDOW DETAIL  
N.T.S.



SLIMLINE IMPACT GLAZING FASTENER DETAIL  
N.T.S.



EXPANDED IMPACT WINDOW DETAIL  
N.T.S.

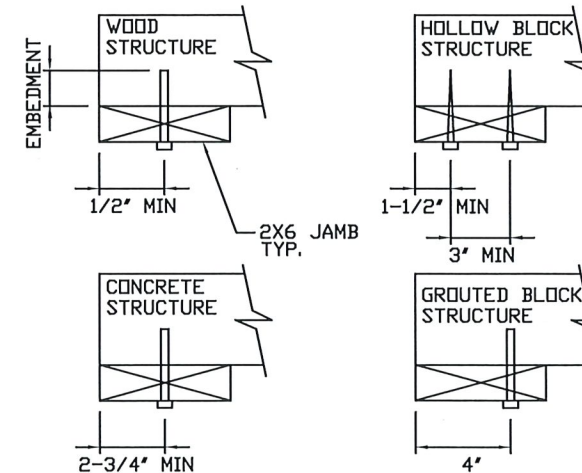
C1

**PRODUCT REVISED**  
as complying with the Florida  
Building Code  
NOA-No. 25-1218.16  
Expiration Date 06/13/2029  
By *[Signature]*  
Miami-Dade Product Control

**WOOD JAMB ATTACHMENT TO STRUCTURE**

- 2 X 6 VERTICAL JAMB ATTACHMENT TO WOOD FRAME STRUCTURE  
5/16" X 3" LAG SCREWS STARTING 6" FROM ENDS THEN 18" O.C. (1 1/2" EMBEDMENT)
- 2 X 6 VERTICAL JAMB ATTACHMENT TO 2,000 PSI CONCRETE  
HILTI KWIK BOLT 3/8" X 4" STARTING 6" FROM ENDS THEN 24" O.C. (2 1/2" EMBEDMENT)  
HILTI SLEEVE ANCHOR 3/8" X 2-3/4" STARTING 6" FROM ENDS THEN 16" O.C. (1 1/4" EMBEDMENT) ITW/RAMSET REDHEAD (TRU-BOLT) 3/8" X 4" STARTING 6" FROM ENDS THEN 24" O.C. (2 1/2" EMBEDMENT)
- 2 X 6 VERTICAL JAMB ATTACHMENT TO HOLLOW C-90 BLOCK (1900 PSI MIN)  
SIMPSON 1/4" X 3" TITEN SCREWS STARTING 6" FROM ENDS, USE PAIRS OF FASTENERS (3" APART) AT 8" O.C. (1 1/4" EMBEDMENT)  
HILTI 1/4" X 2-3/4" KWIK-CON II+ SCREWS STARTING 6" FROM ENDS, USE PAIRS OF FASTENERS (3" APART) AT 8" O.C. (1 1/4" EMBEDMENT)
- 2 X 6 VERTICAL JAMB ATTACHMENT TO GROUTED C-90 BLOCK (2000 PSI GROUT)  
HILTI SLEEVE ANCHOR 3/8" X 2-3/4" STARTING 6" FROM ENDS THEN 20" O.C. (1 1/4" EMBEDMENT) (OR, USE FASTENERS FOR HOLLOW C-90 BLOCK)

\*LAGS AND BOLTS CAN BE COUNTERSUNK TO PROVIDE A FLUSH MOUNTING SURFACE.  
\*PREPARATION OF WOOD JAMBS BY OTHERS



REV	DESCRIPTION OF REVISIONS	DATE	BY

MAX SIZE  
9' WIDTH  
14' HEIGHT

DESIGN LOADS  
+57.0 PSF  
-67.5 PSF

TEST LOADS  
(1.5 x DESIGN LOADS)  
+85.5 PSF  
-101.3 PSF

LARGE MISSILE  
IMPACT  
RESISTANCE

Thomas L. Shelmerdine, PE (FL PE #0048579)  
Structural Solutions, PA (FL Firm #29412)

**THOMAS L. SHELMERDINE**  
LICENSE  
No. 48579  
3.2.26  
STATE OF FLORIDA  
PROFESSIONAL ENGINEER  
FL

dba Structural Solutions of North Carolina, Inc.  
5921-G W. Friendly Ave., Greensboro, NC 27410

**Amarr**  
ENTRE/MATIC

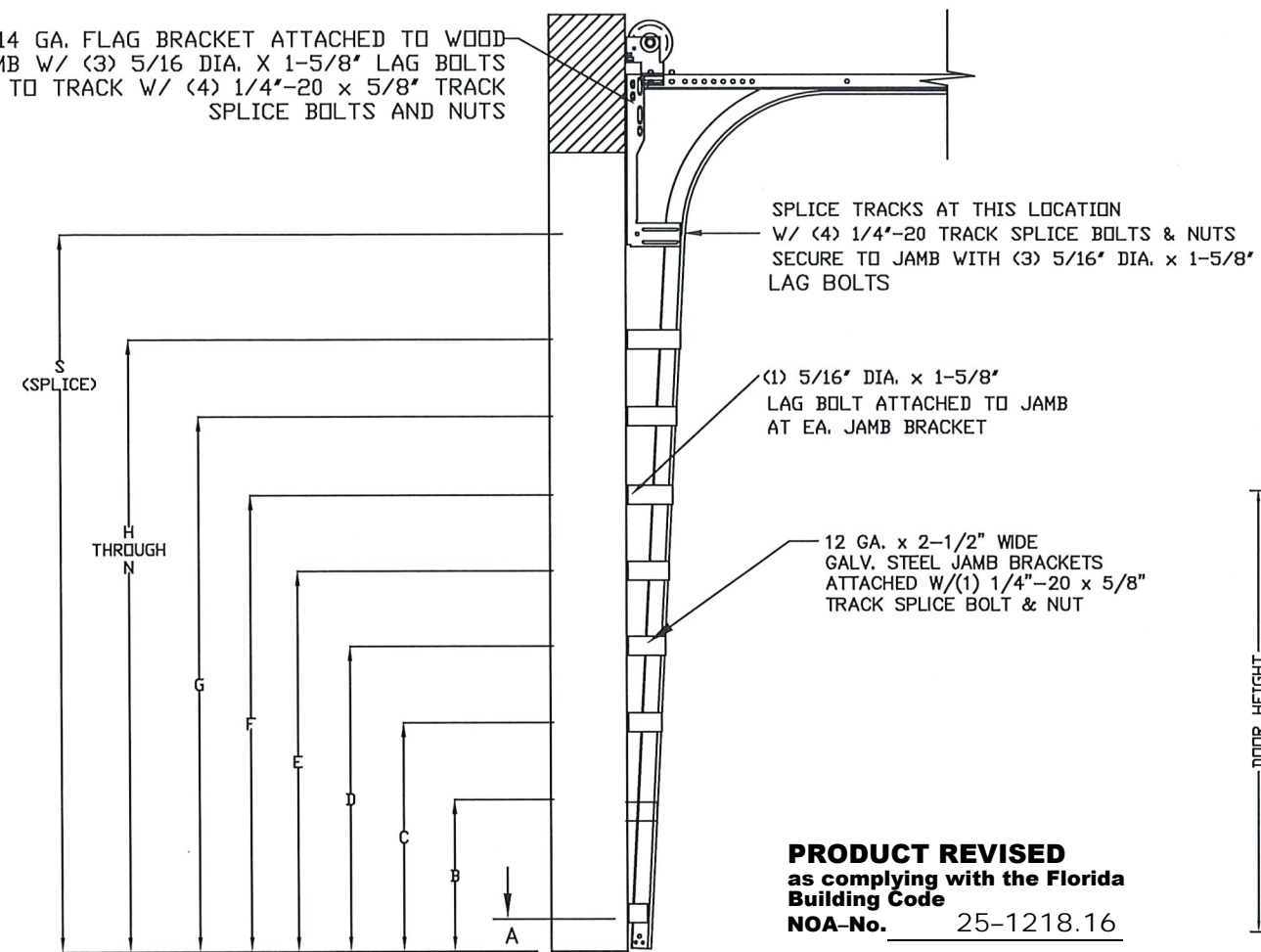
MODEL #1200 AMARR HERITAGE 3000  
MODEL #1225 AMARR NORTHWOODS 3000

SIZE	DRAWN BY	DRC	DATE	DRAWING NUMBER
B			03/11/22	
	CHECKED BY	RLR	DATE	03/17/22

ENTRE/MATIC  
165 CARRIAGE COURT WINSTON-SALEM, N.C. 27105

SHEET 2 OF 3

14 GA. FLAG BRACKET ATTACHED TO WOOD JAMB W/ (3) 5/16 DIA. X 1-5/8" LAG BOLTS AND TO TRACK W/ (4) 1/4"-20 X 5/8" TRACK SPLICE BOLTS AND NUTS



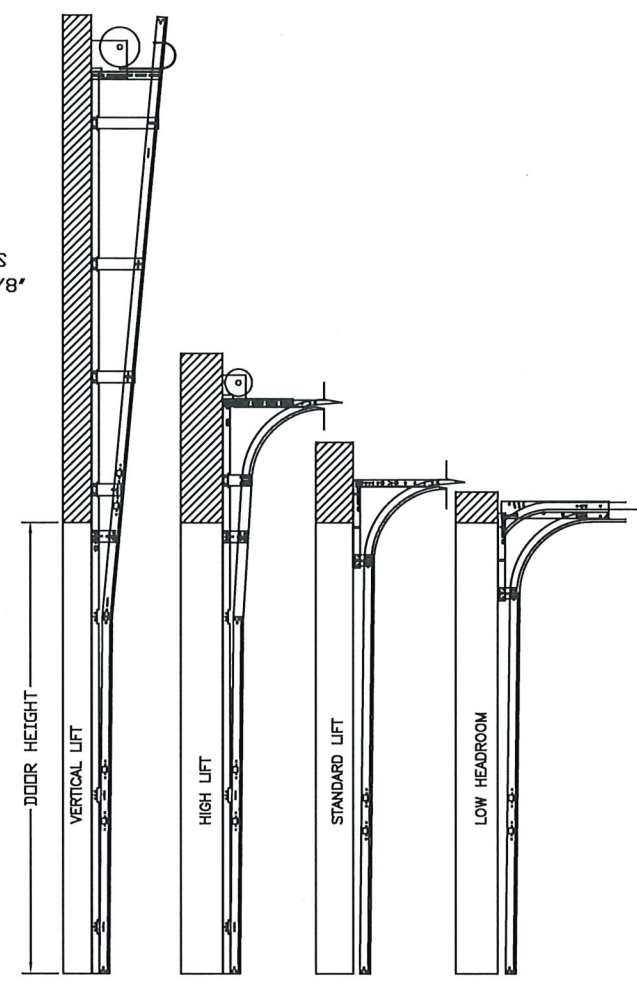
SPLICE TRACKS AT THIS LOCATION W/ (4) 1/4"-20 TRACK SPLICE BOLTS & NUTS SECURE TO JAMB WITH (3) 5/16" DIA. x 1-5/8" LAG BOLTS

(1) 5/16" DIA. x 1-5/8" LAG BOLT ATTACHED TO JAMB AT EA. JAMB BRACKET

12 GA. x 2-1/2" WIDE GALV. STEEL JAMB BRACKETS ATTACHED W/(1) 1/4"-20 x 5/8" TRACK SPLICE BOLT & NUT

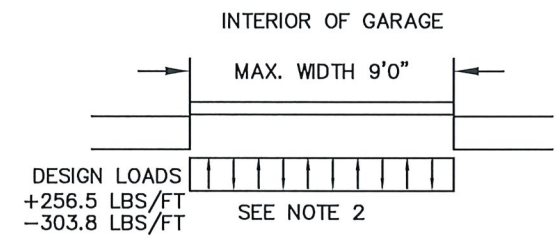
**PRODUCT REVISED**  
as complying with the Florida Building Code  
NOA-No. 25-1218.16  
Expiration Date 06/13/2029  
By *[Signature]*  
Miami-Dade Product Control

SEE (TABLE 1) FOR JAMB BRACKET SPACING  
TRACK CONFIGURATION FOR 6'6" UP TO 14' TALL DOORS  
N.T.S.



AVAILABLE TRACK CONFIGURATIONS  
N.T.S.

- SPECIFICATIONS AND NOTES**
1. ALL THE LOAD FROM THE DOOR IS TRANSFERRED TO THE VERTICAL TRACK, FROM THE TRACK THE LOAD IS TRANSFERRED TO THE VERTICAL JAMBS. THE HORIZONTAL JAMB OR HEADER RECEIVES NO PORTION OF THE LOAD TRANSFERRED FROM THE DOOR.
  2. EACH VERTICAL JAMBS RECEIVES MAXIMUM DESIGN LOADS OF: +256.5 LBS/FT & -303.8 LBS/FT
  3. DOOR AND HARDWARE WILL BE DESIGNED, MANUFACTURED AND INSTALLED WITH STANDARDS AS SET FORTH BY DASMA.
  4. DOOR SECTIONS SHALL BE 24 GA. (.0216) MIN. EXTERIOR SKIN ROLLED FORMED, W/ BAKED ON POLYESTER FINISH
  5. DOORS OVER (4) SECTIONS REFER TO TABLES ON PAGE 3
  6. SUPPORTING STRUCTURAL ELEMENTS SHALL BE DESIGNED BY A REGISTERED PROFESSIONAL ENGINEER FOR WIND LOADS
  7. THIS APPROVAL REQUIRES THE MANUFACTURER TO DO TESTING OF ALL COILS USED TO FABRICATE DOOR PANELS UNDER THIS NOTICE OF ACCEPTANCE. A MINIMUM OF 2 SPECIMENS SHALL BE CUT FROM EACH COIL AND TENSILE TESTED ACCORDING TO ASTM E-8 BY A DADE COUNTY APPROVED LAB SELECTED AND PAID BY THE MANUFACTURER. EVERY 3 MONTHS, 4 TIMES A YEAR, THE MANUFACTURER SHALL MAIL TO THIS OFFICE: A COPY OF THE TEST REPORTS WITH CONFIRMATION THAT THE SPECIMENS WERE SELECTED FROM COILS AT THE MANUFACTURER PRODUCTION FACILITIES. AND A NOTARIZED STATEMENT FROM THE MANUFACTURER THAT ONLY COILS WITH YIELD STRENGTH OF 44,000 PSI OR MORE SHALL BE USED TO MAKE DOOR PANELS FOR DADE COUNTY UNDER THIS NOTICE OF ACCEPTANCE.



**TABLE 1**

DOOR HEIGHT	TRACK ATTACHMENT														SPLICE	
	A	B	C	D	E	F	G	H	I	J	K	L	M	N		
6' 6"	3"	14"	27"	38"	46"	56"	64"									70"
7'	3"	14"	27"	38"	46"	56"	68"									76"
7' 6"	3"	14"	27"	38"	46"	56"	68"	78"								82"
8'	3"	14"	27"	38"	46"	56"	68"	78"								88"
8' 6"	3"	14"	27"	38"	46"	56"	68"	78"	88"							94"
9'	3"	14"	27"	38"	46"	56"	68"	78"	88"							100"
9' 6"	3"	14"	27"	38"	46"	56"	68"	78"	88"	98"						106"
10'	3"	14"	27"	38"	46"	56"	68"	78"	88"	100"						112"
10' 6"	3"	14"	27"	38"	46"	56"	68"	78"	88"	100"	110"					118"
11'	3"	14"	27"	38"	46"	56"	68"	78"	88"	100"	110"					124"
11' 6"	3"	14"	27"	38"	46"	56"	68"	78"	88"	100"	110"	120"				130"
12'	3"	14"	27"	38"	46"	56"	68"	78"	88"	100"	110"	122"				136"
12' 6"	3"	14"	27"	38"	46"	56"	68"	78"	88"	100"	109"	122"	132"			142"
13'	3"	14"	27"	38"	46"	56"	68"	78"	88"	100"	114"	122"	134"			148"
13' 6"	3"	14"	27"	38"	46"	56"	68"	78"	88"	100"	109"	122"	134"	144"		154"
14'	3"	14"	27"	38"	46"	56"	68"	78"	88"	100"	114"	122"	134"	146"		160"

**TABLE 2**

DOOR HEIGHT	SECTION HEIGHTS							
	Btm	#2	#3	#4	#5	#6	#7	#8
14' 0"	21"	21"	21"	21"	21"	21"	21"	21"
13' 6"	21"	21"	21"	21"	21"	18"	18"	21"
13' 0"	21"	21"	21"	18"	18"	18"	18"	21"
12' 6"	21"	18"	18"	18"	18"	18"	18"	21"
12' 0"	21"	21"	21"	21"	21"	18"	21"	
11' 6"	21"	21"	21"	18"	18"	18"	21"	
11' 0"	21"	18"	18"	18"	18"	18"	21"	
10' 6"	21"	21"	21"	21"	21"	21"		
10' 0"	21"	21"	21"	18"	18"	21"		
9' 6"	21"	18"	18"	18"	18"	21"		
9' 0"	18"	18"	18"	18"	18"	18"		
8' 6"	21"	21"	21"	18"	21"			
8' 0"	21"	18"	18"	18"	21"			
7' 6"	18"	18"	18"	18"	18"			
7' 0"	21"	21"	21"	21"				
6' 6"	21"	18"	18"	21"				

**TABLE 3**

SECTION	STRUT SIZE
8TH	3"
	2"
7TH	3"
	2"
6TH	3"
	2"
5TH	3"
	2"
4TH	3"
	2"
3RD	3"
	2"
2ND	3"
	2"
BOTTOM	3"
	2"

ALL TRACK ATTACHMENT SPACING +/-2" ALLOWED WITH SYP OR SPF NO. 2 OR BETTER ONLY

REV	DESCRIPTION OF REVISIONS	DATE	BY

MAX SIZE 9' WIDTH 14' HEIGHT  
DESIGN LOADS +57.0 PSF -67.5 PSF  
TEST LOADS (1.5 x DESIGN LOADS) +85.5 PSF -101.3 PSF  
LARGE MISSILE IMPACT RESISTANCE

Thomas L. Shelmerdine, PE (FL PE #0048579) Structural Solutions, PA (FL Firm #29412)

**THOMAS L. SHELMERDINE**  
LICENSE No. 48579  
STATE OF FLORIDA  
PROFESSIONAL ENGINEER  
FL

**Amarr**  
ENTRE/MATIC

MODEL #1200 AMARR HERITAGE 3000  
MODEL #1225 AMARR NORTHWOODS 3000

SIZE	DRAWN BY	DRC	DATE	03/11/22	DRAWING NUMBER
B	CHECKED BY	RLR	DATE	03/17/22	RC-1209-190-15-F

ENTRE/MATIC  
165 CARRIAGE COURT WINSTON-SALEM, N.C. 27105

SHEET 3 OF 3

dba Structural Solutions of North Carolina, Inc.  
5921-G W. Friendly Ave., Greensboro, NC 27440