



DEPARTMENT OF REGULATORY AND ECONOMIC RESOURCES (RER)  
BOARD AND CODE ADMINISTRATION DIVISION

**NOTICE OF ACCEPTANCE (NOA)**

MIAMI-DADE COUNTY  
PRODUCT CONTROL SECTION  
11805 SW 26 Street, Room 208  
Miami, Florida 33175-2474  
T (786) 315-2590 F (786) 315-2599  
[www.miamidade.gov/economy](http://www.miamidade.gov/economy)

**Gordon Sales, Inc.**  
**5023 Hazel Jones Road**  
**Bossier City, LA 71111**

**SCOPE:**

This NOA is being issued under the applicable rules and regulations governing the use of construction materials. The documentation submitted has been reviewed and accepted by Miami-Dade County RER-Product Control Section to be used in Miami Dade County and other areas where allowed by the Authority Having Jurisdiction (AHJ).

This NOA shall not be valid after the expiration date stated below. The Miami-Dade County Product Control Section (In Miami Dade County) and/or the AHJ (in areas other than Miami Dade County) reserve the right to have this product or material tested for quality assurance purposes. If this product or material fails to perform in the accepted manner, the manufacturer will incur the expense of such testing and the AHJ may immediately revoke, modify, or suspend the use of such product or material within their jurisdiction. RER reserves the right to revoke this acceptance if it is determined by Miami-Dade County Product Control Section that this product or material fails to meet the requirements of the applicable building code.

This product is approved as described herein and has been designed to comply with the Florida Building Code, including the High Velocity Hurricane Zone.

**DESCRIPTION: Gordon WinLok™ Aluminum Exterior Solid and Perforated Ceiling System**

**APPROVAL DOCUMENT:** Drawing No. **DV202590045**, titled “WinLok Test Assembly and Detail”, sheets 1 through 6 of 6, dated 07/28/2025, prepared by Gordon Sales, Inc., signed and sealed by Wayne K. Helmila, P.E., on 02/27/2026, bearing the Miami-Dade County Product Control revision stamp with the Notice of Acceptance number and approval date by the Miami-Dade County Product Control Section.

**MISSILE IMPACT RATING: None**

**LABELING:** Each piece shall be permanently marked at not more than 4’ o.c. with a number or marking and the packaging shall include the manufacturer's name or logo, city, state, model number or name, Miami-Dade County NOA number, test standards and net free area per FBC 1709.10.2 and 1709.10.3.

**RENEWAL** of this NOA shall be considered after a renewal application has been filed and there has been no change in the applicable building code negatively affecting the performance of this product.

**TERMINATION** of this NOA will occur after the expiration date or if there has been a revision or change in the materials, use, and/or manufacture of the product or process. Misuse of this NOA as an endorsement of any product, for sales, advertising or any other purposes shall automatically terminate this NOA. Failure to comply with any section of this NOA shall be cause for termination and removal of NOA.

**ADVERTISEMENT:** The NOA number preceded by the words Miami-Dade County, Florida, and followed by the expiration date may be displayed in advertising literature. If any portion of the NOA is displayed, then it shall be done in its entirety.

**INSPECTION:** A copy of this entire NOA shall be provided to the user by the manufacturer or its distributors and shall be available for inspection at the job site at the request of the Building Official. This NOA **renews and revises NOA # 24-0906.10** and consists of this page 1 and evidence pages E-1, E-2 and E-3 as well as approval document mentioned above.

The submitted documentation was reviewed by **Carlos M. Utrera, P.E.**



03/04/26

NOA No. 25-1223.08  
Expiration Date: December 30, 2030  
Approval Date: March 12, 2026  
Page 1

**NOTICE OF ACCEPTANCE: EVIDENCE SUBMITTED**

**1. Evidence submitted under NOA # 20-0713.01**

**A. DRAWINGS**

1. Drawing No. **S202040276**, titled “Miami Dade Soffit Assembly”, sheets 1 through 6 of 6, dated 11/20/2020, prepared by Gordon Sales, Inc., signed and sealed by Steven Uecke, P.E.

**B. TESTS**

1. Test reports on 1) Uniform Static Air Pressure Test, Loading per FBC TAS 202-94  
2) Cyclic Wind Pressure Loading per FBC, TAS 203-94  
3) Wind Driven Rain Resistance Test per FBC, TAS 100(A)-95  
4) Tensile Strength Test per ASTM E8-16a  
along with marked-up drawings of Aluminum Soffit Cluster, prepared by Intertek, Test Report No. **K3856.01-801-18 R2**, dated 07/15/2020, with revision dated 11/18/2020, signed and sealed by Tyler Westerling, P.E.
2. Net free ventilation area calculations for the ventilated soffit (11.36 % open), prepared by Intertek, Test Report No. **K3856.02-801-18 R0**, dated 08/04/2020, signed and sealed by Tyler Westerling, P.E.

**C. CALCULATIONS**

1. Attachment to structure calculations, prepared by Rexconn Design, dated 12/03/2020, signed and sealed by Steven Uecke, P.E.
2. Hanger attachment to testing chamber, prepared by Rexconn Design, dated 09/18/2020, signed and sealed by Steven Uecke, P.E.
3. Panel system structural calculations, prepared by Rexconn Design, dated 06/04/2020, signed and sealed by Steven Uecke, P.E.

**D. QUALITY ASSURANCE**

1. Miami-Dade Department of Regulatory and Economic Resources (RER)

**E. MATERIAL CERTIFICATIONS**

1. None.

**F. STATEMENTS**

1. Statement letter of code conformance to the 6<sup>th</sup> edition (2017) and 7<sup>th</sup> edition (2020) FBC issued by Rexconn Design, dated 12/03/2020, signed and sealed by Steven Uecke, P.E.
2. Statement letter of no financial interest issued by Rexconn Design, dated 06/25/2020, signed and sealed by Steven Uecke, P.E.



---

**Carlos M. Utrera, P.E.**  
**Product Control Examiner**  
**NOA No. 25-1223.08**  
**Expiration Date: December 30, 2030**  
**Approval Date: March 12, 2026**

**NOTICE OF ACCEPTANCE: EVIDENCE SUBMITTED**

**2. Evidence submitted under NOA # 24-0906.10**

**A. DRAWINGS**

1. Drawing No. **S202040276**, titled “Miami Dade Soffit Assembly”, sheets 1 through 6 of 6, dated 11/20/2020, prepared by Gordon Sales, Inc., signed and sealed by Wayne K. Helmila, P.E., on 12/04/2024.

**B. TESTS**

1. None.

**C. CALCULATIONS**

1. Attachment to structure calculations, prepared by Rice Engineering, dated 10/24/2024, signed and sealed by Wayne K. Helmila, P.E.

**D. QUALITY ASSURANCE**

1. Miami-Dade Department of Regulatory and Economic Resources (RER).

**E. MATERIAL CERTIFICATIONS**

1. None.

**F. STATEMENTS**

1. Statement letter of code conformance to the 8<sup>th</sup> edition (2023) of the FBC, issued by Rice Engineering, dated 09/02/2024, signed and sealed by Wayne K. Helmila, P.E.



---

**Carlos M. Utrera, P.E.**  
**Product Control Examiner**  
**NOA No. 25-1223.08**  
**Expiration Date: December 30, 2030**  
**Approval Date: March 12, 2026**

**NOTICE OF ACCEPTANCE: EVIDENCE SUBMITTED**

**3. New evidence submitted**

**A. DRAWINGS**

1. Drawing No. **DV202590045**, titled “WinLok Test Assembly and Detail”, sheets 1 through 6 of 6, dated 07/28/2025, prepared by Gordon Sales, Inc., signed and sealed by Wayne K. Helmila, P.E., on 02/27/2026.

**B. TESTS**

1. Test reports on 1) Uniform Static Air Pressure Test, Loading per FBC TAS 202-94  
2) Cyclic Wind Pressure Loading per FBC, TAS 203-94  
3) Tensile Strength Test per ASTM E8  
along with marked-up drawings of WindLock Aluminum Exterior Solid and Perforated Ceiling System, prepared by Intertek, Test Report No. **T1655.01-801-18 R0**, dated 12/17/2025, signed and sealed by Tyler Westerling, P.E.

**C. CALCULATIONS**

1. Anchorage calculations, prepared by Rice Engineering, dated 02/11/2026, signed and sealed by Wayne K. Helmila, P.E.

**D. QUALITY ASSURANCE**

1. Miami-Dade Department of Regulatory and Economic Resources (RER).

**E. MATERIAL CERTIFICATIONS**

1. None.

**F. STATEMENTS**

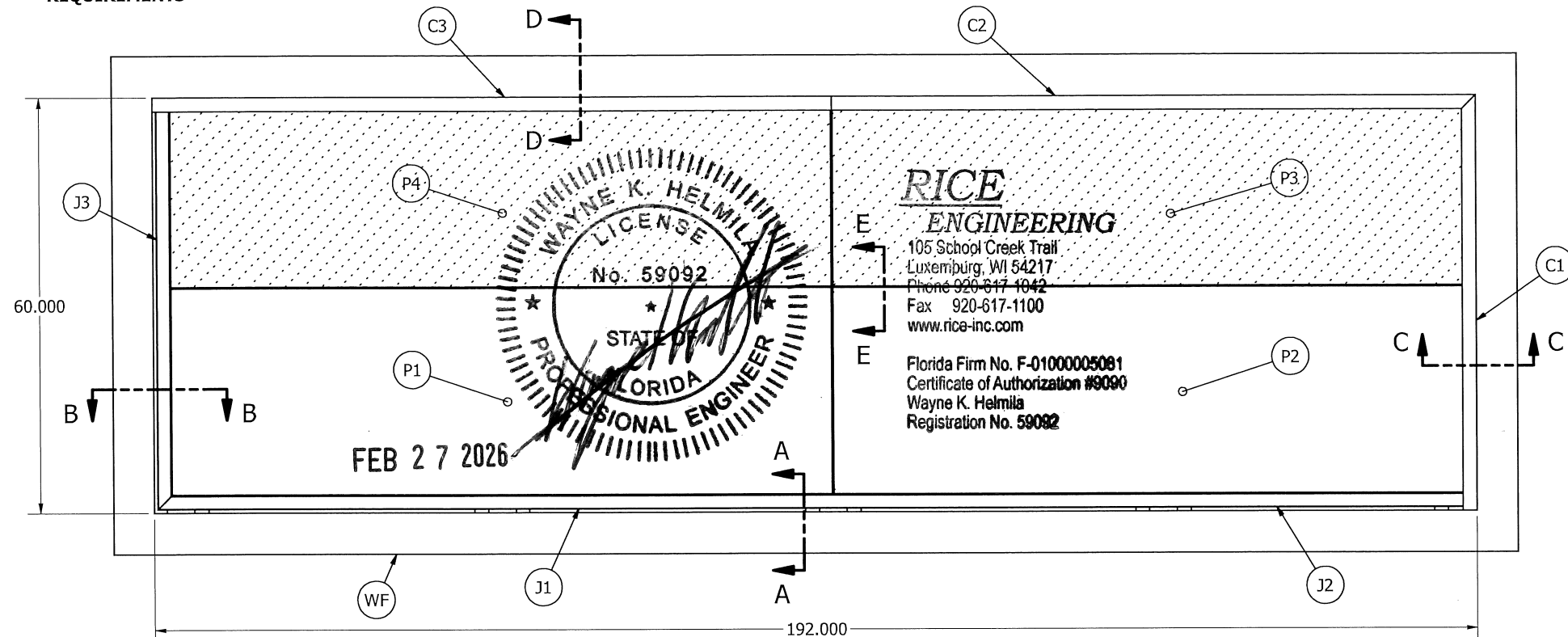
1. Statement letter of code conformance to the 8<sup>th</sup> edition (2023) of the FBC, issued by Rice Engineering, dated 02/11/2026, signed and sealed by Wayne K. Helmila, P.E.



---

**Carlos M. Utrera, P.E.**  
**Product Control Examiner**  
**NOA No. 25-1223.08**  
**Expiration Date: December 30, 2030**  
**Approval Date: March 12, 2026**

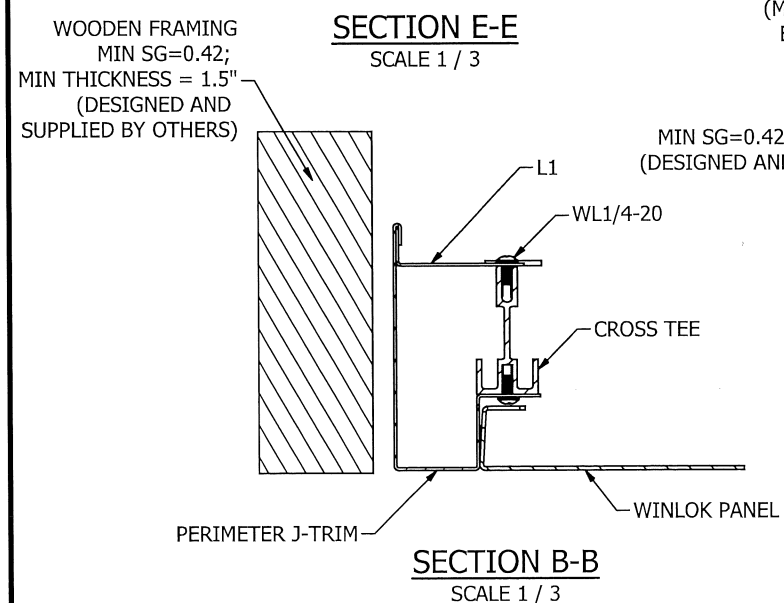
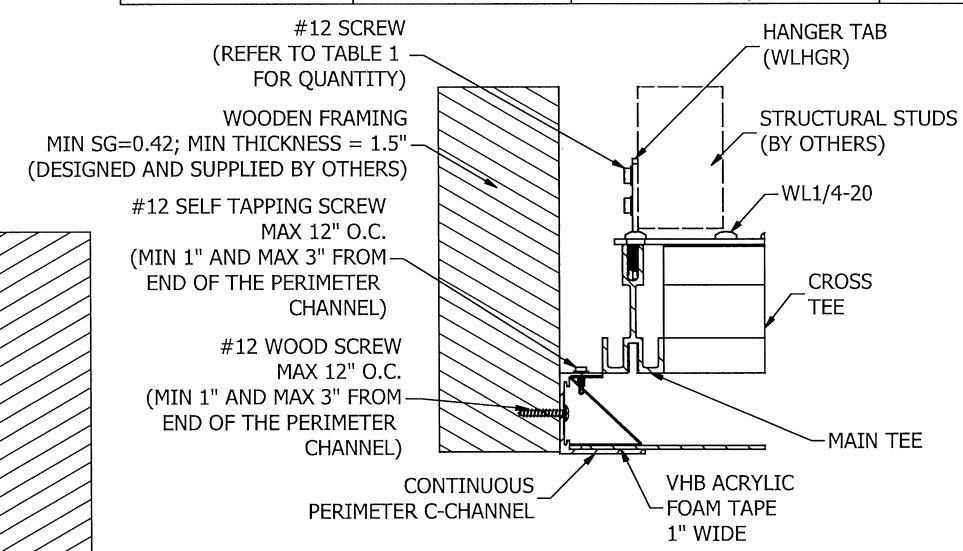
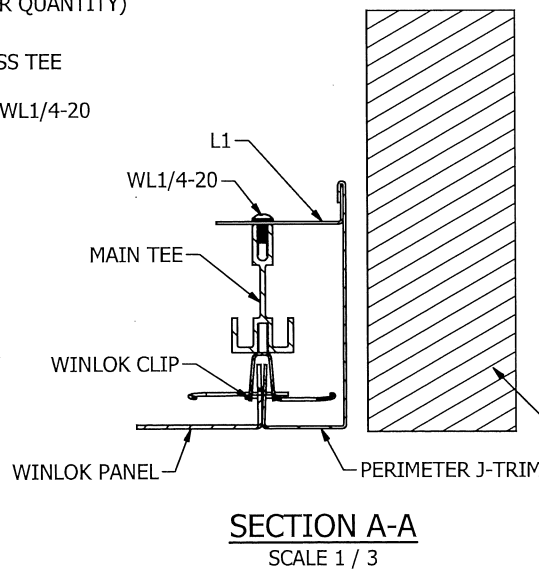
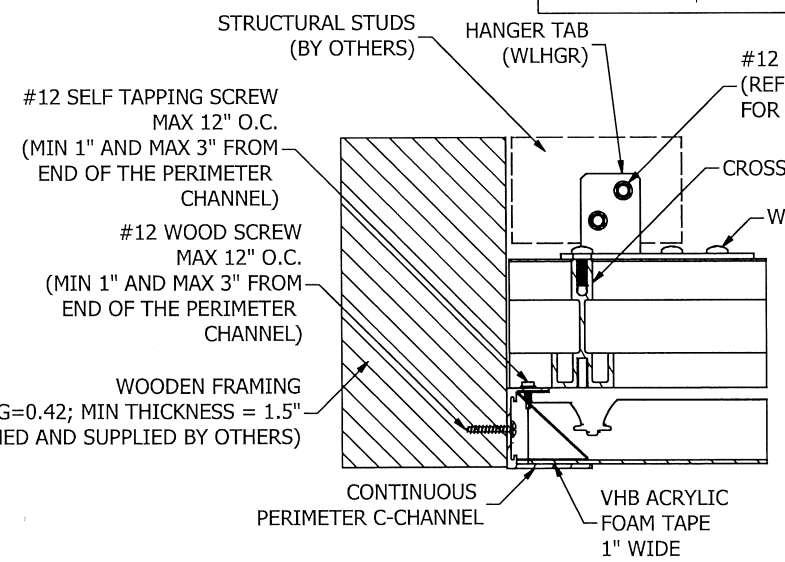
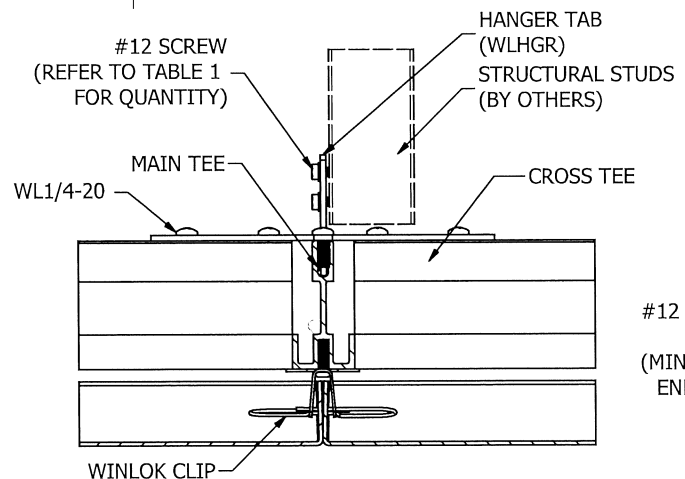
**NOTE: ALL PANELS, TRIMS AND CHANNELS HAVE BEEN TESTED TO ASD DESIGN WIND PRESSURES OF +/-80 PSF PER INTERTEK TEST REPORT T1655.01-801-18 R0; TESTS PERFORMED: TAS 202, TAS 203, AND ASTM E8 IN ACCORDANCE WITH 2023 FLORIDA BUILDING CODE FOR HIGH VELOCITY HURRICANEZONE AND MIAMI-DADE COUNTY REQUIREMENTS**



BILL OF MATERIAL			
MARK	REF DRAWING	DESCRIPTION	QTY
WL1/4-20	14-20BOLT34SS	1/4-20X3/4 BUTTON HD SOCKET SS SCREW	105
C1	DV202590050	PERIMETER C-CHANNEL	1
C2	DV202590051	PERIMETER C-CHANNEL	1
C3	DV202590061	PERIMETER C-CHANNEL	1
CT1	DV202590042	CROSS TEE, 28.550" LONG	5
MT1	F202520805	MAIN TEE, 144" LONG	3
WF	-	WOODEN FRAMING	1
CT2	DV202590042	CROSS TEE, 24.350" LONG	5
HP2	WL2WAY	HANGER PLATE 2WAY	4
HP3	WL3WAY	HANGER PLATE 3WAY	8
HP4	WL4WAY	HANGER PLATE 4WAY	3
J1	DV202590047	PERIMETER J-TRIM	1
J2	DV202590048	PERIMETER J TRIM	1
J3	DV202590046	PERIMETER J-TRIM	1
L1	DV202590053	L-ANGLE CLIP	12
MT2	DV202590041	MAIN TEE, 45.500"	3
P1	DV202590057	WINLOK PANEL (NON-PERF)	1
P2	DV202590058	WINLOK PANEL (NON-PERF)	1
P3	DV202590059	WINLOK PANEL (PERFORATED)	1
P4	DV202590060	WINLOK PANEL (PERFORATED)	1
WLDBLCLIP	WLDBLCLIP	ASSEMBLY - WL PANEL CLIP	14
WLHGR	WLHGR	HANGER	15
Z1	DV202590056	HOLD DOWN ZEE	3
Z2	DV202590055	HOLD DOWN ZEE	1
Z4	DV202590063	HOLD DOWN ZEE	1
Z3	DV202590064	HOLD DOWN ZEE	1
TAPE	-	DOUBLE SIDED VHB TAPE	50'
#8 SCREW	Standard	#8X1/2 SELF TAPPING SCREW	20
#12 SCREW	Standard	#12X1 SELF TAPPING SCREW	30
WOOD SCREW	Standard	#9 WOOD SCREW, 2.5" LONG	1

**BOTTOM VIEW**  
SCALE 1 / 15

TABLE 1	
MIN. NO. OF #12 SCREWS PER HANGER TAB	MIN. GAUGE STEEL STUD (MIN. Fy=33 ksi)
3	16 GAUGE (0.0566")
4	18 GAUGE (0.0451")



**PRODUCT REVISED**  
as complying with the Florida Building Code  
NOA-No. 25-1223.08  
Expiration Date 12/30/2030  
By *[Signature]*  
Miami-Dade Product Control



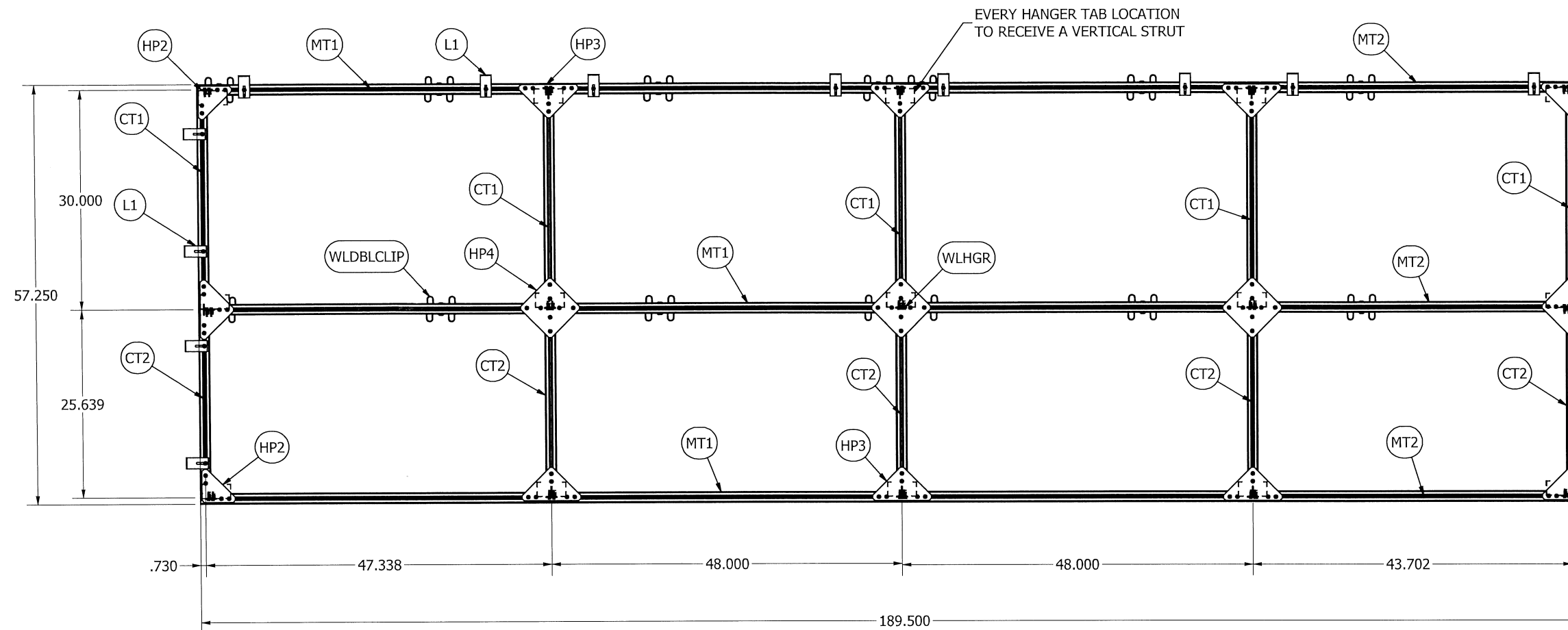
SALES CODE  
SALES DIE #  
ARCHITECT  
COMPTON

SHEET TITLE  
**WINLOK TEST ASSEMBLY AND DETAIL**  
JOB NAME  
MIAMI DADE NOA TESTING - WINLOK  
CUSTOMER  
COMPTON

UNITS: INCHES  
PROJECT #  
SHEET 1 OF 6  
SALES ORDER -  
PATH & DRAWING NUMBER  
C:\\_Gordon\_Test\Out\Design\PRODUCT\_DEVELOPMENT\WINLOK\139390 - MIAMI DADE NOA RENEWAL 2025  
DRAWING SCALE AS NOTED  
PLOTTED SCALE 2:3  
SOFTWARE USED  
REVISION INVENTOR -

WinLok™ IS A TRADEMARK OF GORDON, INC.  
U.S. Patent 10113317, 11168477, 12049758

ITEM: \_\_\_\_\_  
MARK: ASSEMBLY  
PIECES: \_\_\_\_\_



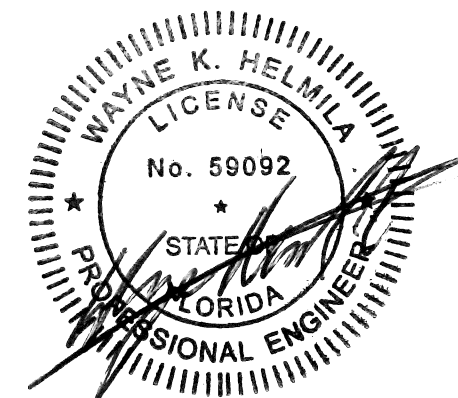
**GRID LAYOUT**  
SCALE 1 / 12

**PRODUCT REVISED**  
as complying with the Florida  
Building Code  
NOA-No. 25-1223.08  
Expiration Date 12/30/2030  
By *[Signature]*  
Miami-Dade Product Control

**RICE**  
**ENGINEERING**

105 School Creek Trail  
Luxemburg, WI 54217  
Phone 920-617 1042  
Fax 920-617-1100  
www.rice-inc.com

Florida Firm No. F-0100005081  
Certificate of Authorization #9090  
Wayne K. Helmila  
Registration No. 59092



FEB 27 2026

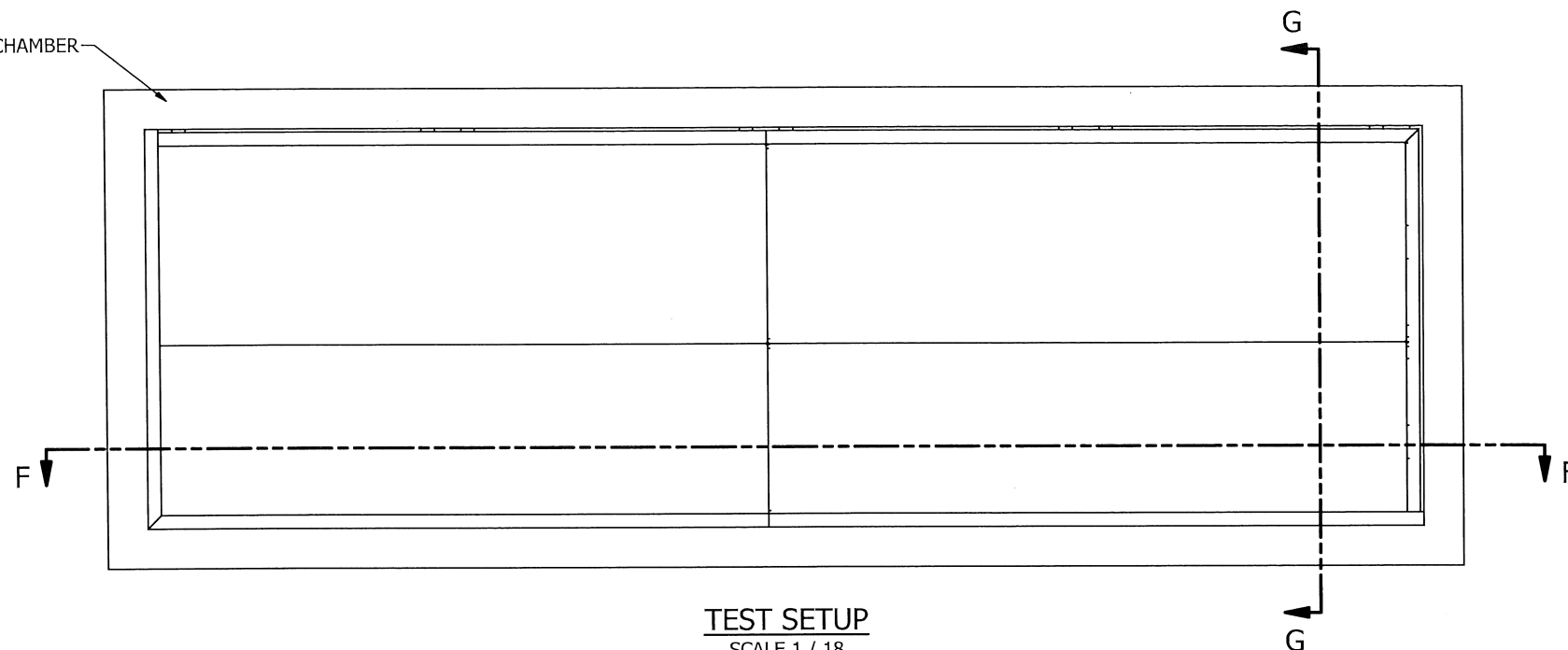
WinLok™ IS A TRADEMARK OF GORDON, INC.  
U.S. Patent 10113317, 11168477, 12049758

**GORDON**  
ARCHITECTURAL+ENGINEERED SOLUTIONS

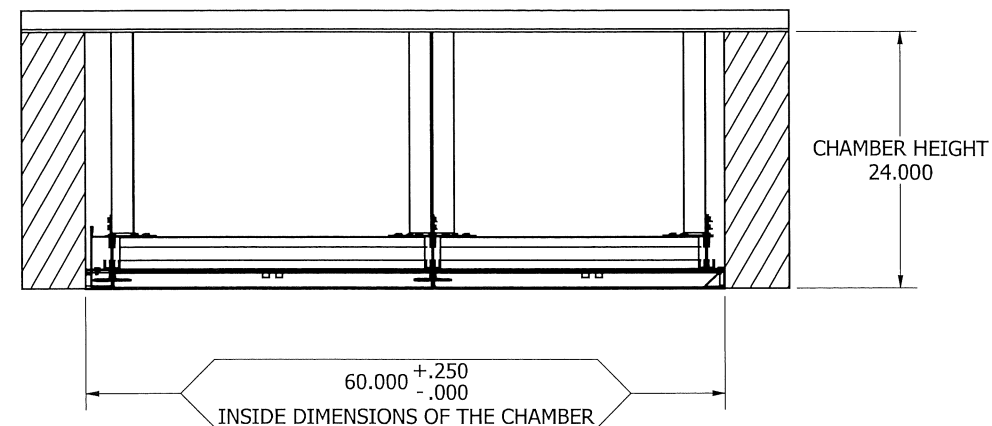
5023 Hazel Jones Rd.  
Bossier City, LA 71111  
800.747.8954  
GORDON-INC.COM  
sales@gordon-inc.com

SALES CODE	SHEET TITLE		UNITS: INCHES		PROJECT #	
SALES DIE #	WINLOK TEST ASSEMBLY AND DETAIL		SHEET	SALES ORDER	PATH & DRAWING NUMBER	
ARCHITECT	JOB NAME	MIAMI DADE NOA TESTING - WINLOK	2 OF 6	-	C:\_gordon_test\aut\designs\PRODUCT_DEVELOPMENT\WINLOK\135390 - MIAMI	
CUSTOMER	COMPT DATE	DRAWN BY	CHKD BY	CHK DATE	DRAWING SCALE	PLOTTED SCALE
	7/28/2025	AUW			AS NOTED	2:3
					SOFTWARE USED	REVISION
						DV202590045
						INVENTOR

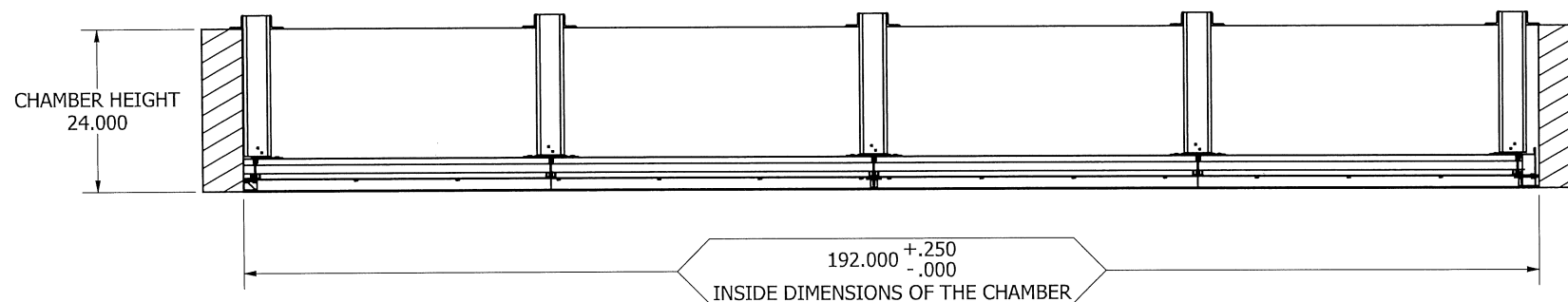
WOODEN CHAMBER



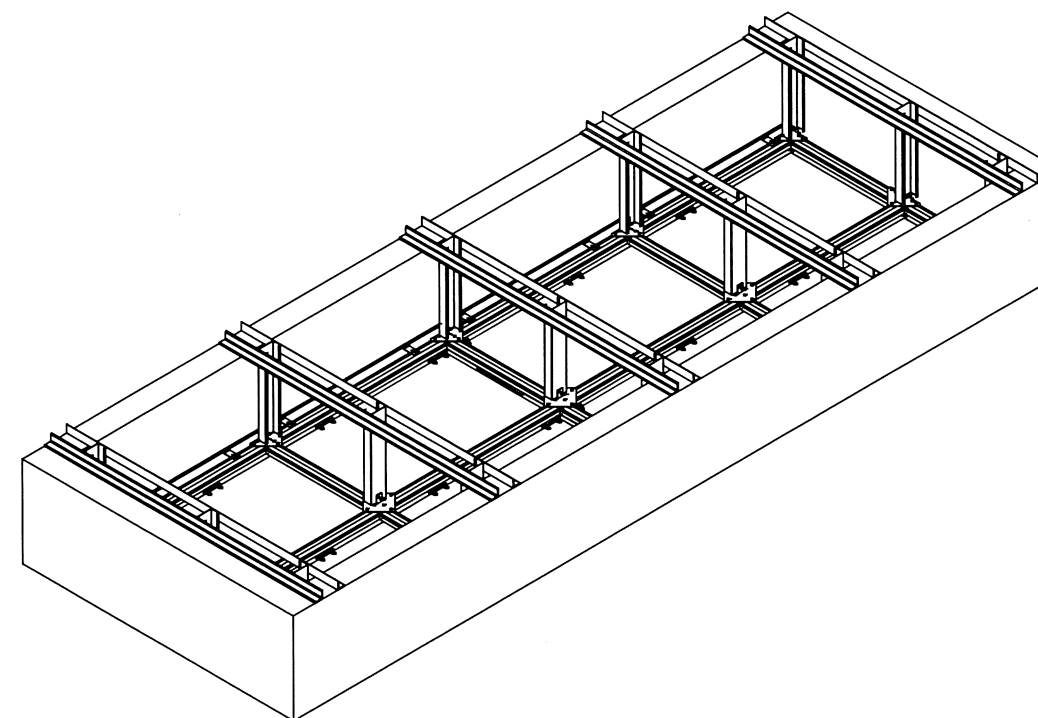
**TEST SETUP**  
SCALE 1 / 18



**SECTION G-G**  
SCALE 1 / 12



**SECTION F-F**  
SCALE 1 / 18



**ISO**  
SCALE 1 / 24



**RICE**  
**ENGINEERING**

105 School Creek Trail  
Luxemburg, WI 54217  
Phone 920-617 1042  
Fax 920-617-1100  
www.rice-inc.com

Florida Firm No. F-0100005081  
Certificate of Authorization #8090  
Wayne K. Helmila  
Registration No. 59092

**PRODUCT REVISED**  
as complying with the Florida  
Building Code

NOA-No. 25-1223.08

Expiration Date 12/30/2030

By *[Signature]*  
Miami-Dade Product Control

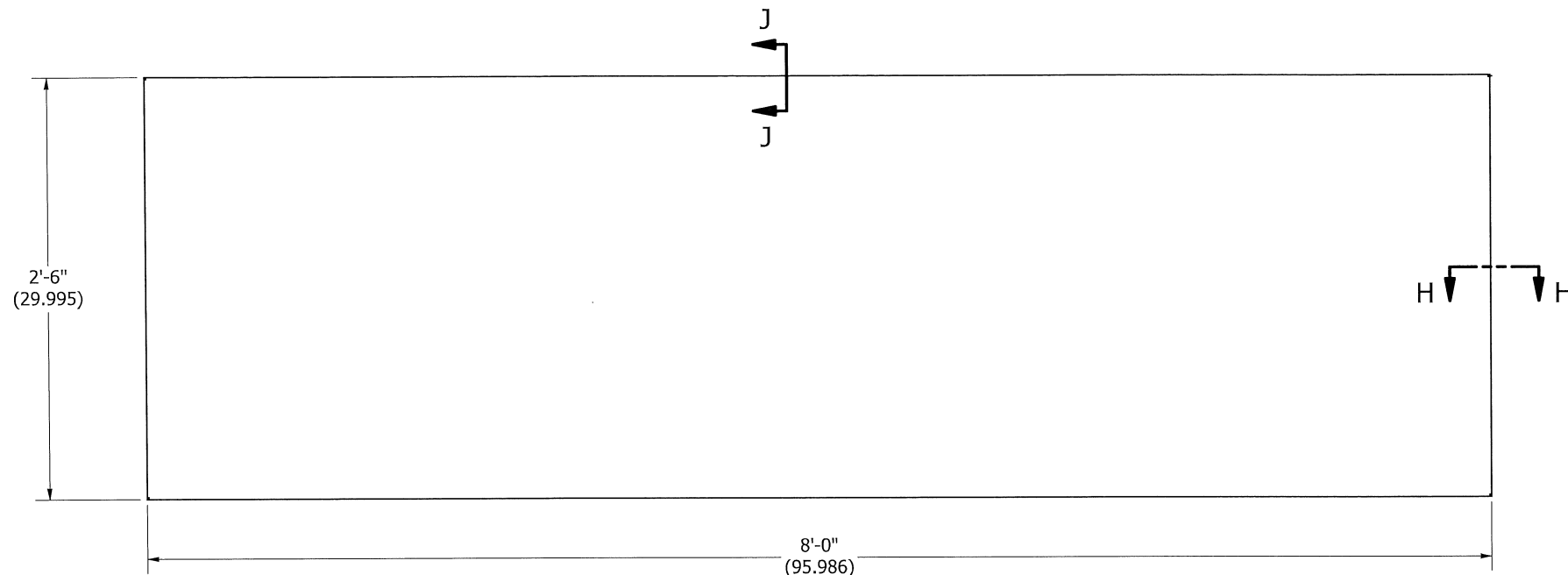
WinLok™ IS A TRADEMARK OF GORDON, INC.  
U.S. Patent 10113317, 11168477, 12049758

**GORDON**  
ARCHITECTURAL+ENGINEERED SOLUTIONS

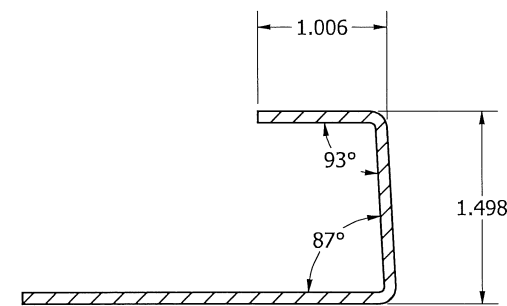
5023 Hazel Jones Rd.  
Bossier City, LA 71111  
800.747.8954  
GORDON-INC.COM  
sales@gordon-inc.com

SALES CODE	SHEET TITLE		UNITS: INCHES		PROJECT #	
SALES DIE #	WINLOK TEST ASSEMBLY AND DETAIL		SHEET		DADE NOA RENEWAL 2025	
ARCHITECT	JOB NAME		3 OF 6		MIAMI	
	MIAMI DADE NOA TESTING - WINLOK		DRAWING SCALE		PLOTTED SCALE	
CUSTOMER	COMP DATE	DRAWN BY	CHKD BY	CHK DATE	SOFTWARE USED	REVISION
	7/28/2025	AUW			AS NOTED	2:3
					INVENTOR	-

DV202590045

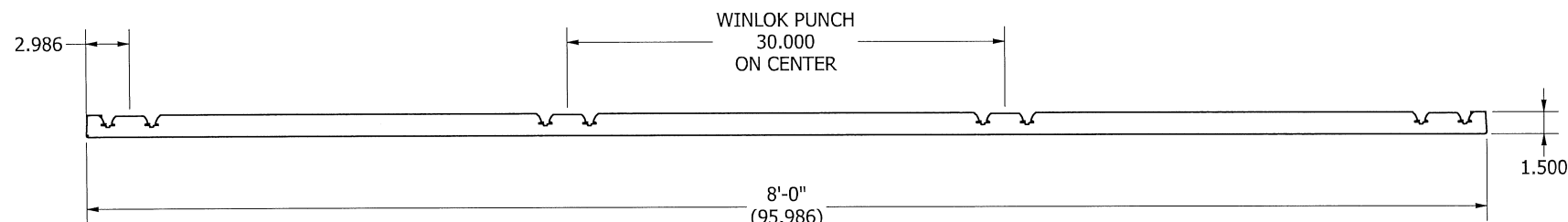


**FACE VIEW**  
SCALE 1 / 8

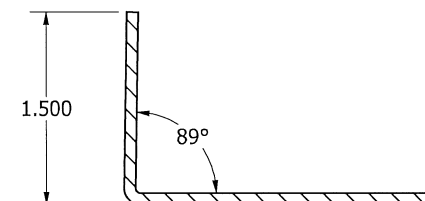


**SECTION H-H**  
SCALE 1 / 1

**PRODUCT REVISED**  
as complying with the Florida  
Building Code  
NOA-No. 25-1223.08  
Expiration Date 12/30/2030  
By *[Signature]*  
Miami-Dade Product Control



**SIDE VIEW**  
SCALE 1 / 8



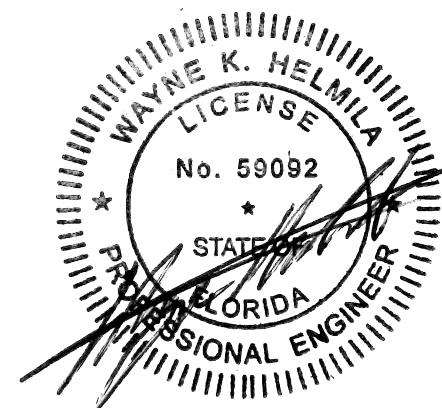
**SECTION J-J**  
SCALE 1 / 1

**GENERAL NOTES:**

- STANDARD TOLERANCES: (UNO)  
CNC:  $\pm 1/64$ " [0.015"]  
EXTRUSION CUT:  $+0$ "  $-1/64$ " [ $+0$ "  $-0.015$ "]  
SHEET METAL CUT:  $+0$ "  $-1/16$ " [ $+0$ "  $-0.063$ "]  
SHEET METAL BEND:  $\pm 1/32$ " [ $\pm 0.031$ "]  
MAX NON-PERFORATED BORDER  
DIFFERENCE OF OPPOSING SIDES:  $3/32$ " [0.094"]  
RADI:  $\pm 1/8$ " [ $\pm 0.125$ "]  
GENERAL:  $\pm 1/32$ " [ $\pm 0.031$ "]  
ANGLE:  $\pm 0.5^\circ$
- ALL NON-SPECIFIED ANGLES:  $90^\circ$
- ABBREVIATIONS:  
UNO = UNLESS NOTED OTHERWISE  
TYP = TYPICAL
- MATERIAL: ALUM 063 3003 - H14  
Fy = 21,000 psi  
Fu = 22,000 psi
- FINISH: MILL

**WINLOK PANEL 30" X 96" X 1.5"**

WinLok™ IS A TRADEMARK OF GORDON, INC.  
U.S. Patent 10113317, 11168477, 12049758



FEB 27 2026

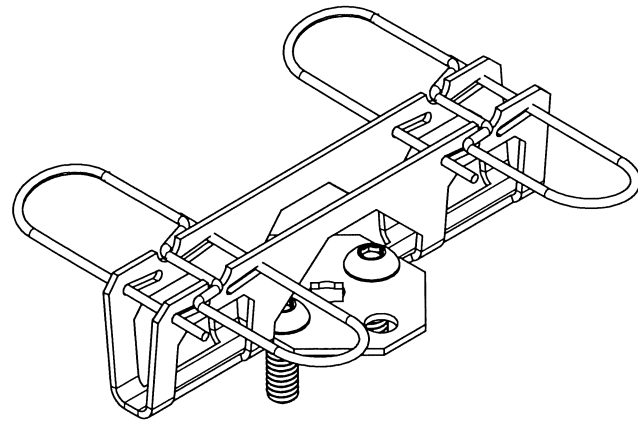
**RICE**  
**ENGINEERING**

105 School Creek Trail  
Luxemburg, WI 54217  
Phone 920-617 1042  
Fax 920-617-1100  
www.rice-inc.com

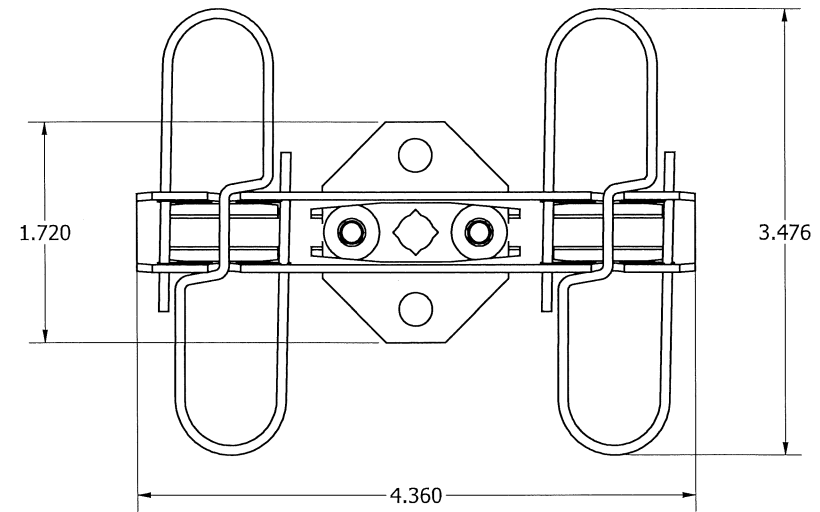
Florida Firm No. F-01000005081  
Certificate of Authorization #9090  
Wayne K. Helmila  
Registration No. 59092

	SALES CODE	SHEET TITLE		UNITS: INCHES		PROJECT #	
	SALES DIE #	WINLOK TEST ASSEMBLY AND DETAIL		SHEET	SALES ORDER	PATH & DRAWING NUMBER	
ARCHITECT	ARCHITECT	JOB NAME		4 OF 6	-	C:\Gordon_TestVault\Designs\PRODUCT_DEVELOPMENT\WINLOK\138390 - MIAMI	
		MIAMI DADE NOA TESTING - WINLOK				DADE NOA RENEWAL 2025	
		CUSTOMER	COMP DATE	DRAWN BY	CHKD BY	DRAWING SCALE	PLOTTED SCALE
			7/28/2025	AUW		AS NOTED	2:3
						SOFTWARE USED	REVISION
							INVENTOR
							-

BILL OF MATERIAL			
MARK	REF DRAWING	DESCRIPTION	QTY
WLDBLSS	WLDBLSS	SINGLE WINLOK	1
SPRING-WLSTD_S1	SPRING-WLSTD_S1	SPRING, WIRE FORM	2
1/4-20X34HEXSOCKBTNBOLT	1/4-20X34HEXSOCKBTNBOLT	1/4-20X3/4 HEX SOCK BTNHD BOLT	2

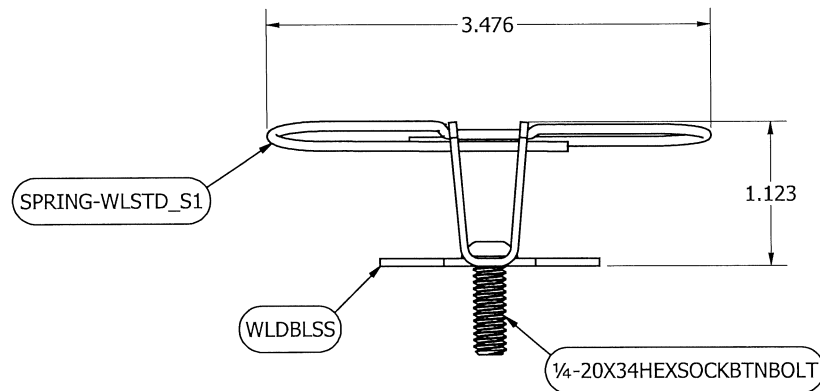


ISO  
SCALE 1 : 1

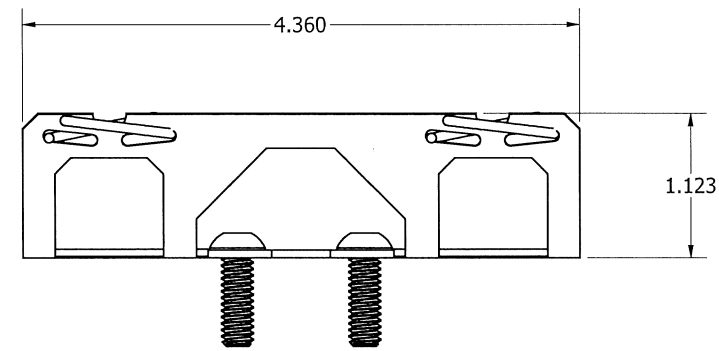


TOP VIEW  
SCALE 1 : 1

**PRODUCT REVISED**  
as complying with the Florida  
Building Code  
NOA-No. 25-1223.08  
Expiration Date 12/30/2030  
By *[Signature]*  
Miami-Dade Product Control



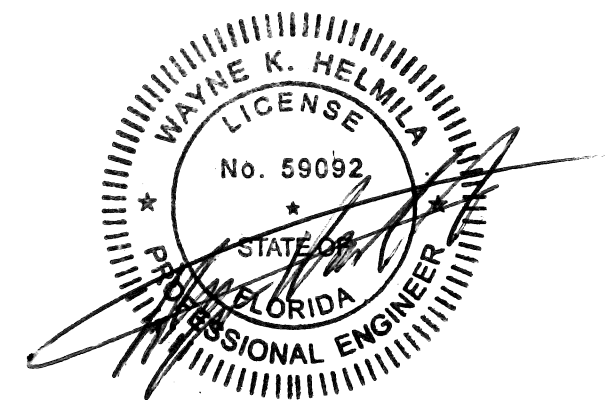
SIDE VIEW  
SCALE 1 : 1



FRONT VIEW  
SCALE 1 : 1

### WINLOK DOUBLE CLIP (WLDBL)

**RICE**  
**ENGINEERING**  
105 School Creek Trail  
Luxemburg, WI 54217  
Phone 920-617 1042  
Fax 920-617-1100  
www.rice-inc.com



FEB 27 2026

**GENERAL NOTES:**

1. MATERIAL:

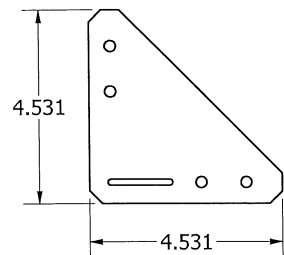
CLIP :  
16GA SST TYPE 316  
Fy = 42,000 psi  
Fu = 84,000 psi

16 GA SST AISI  
(ASTM A313) TYPE 316  
TENSILE STRENGTH = 200,000 psi  
SHEAR MODULUS = 1160080 GPa  
HARDNESS: C35-45

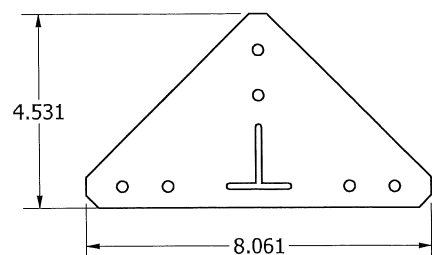
2. FINISH: 2B

WinLok™ IS A TRADEMARK OF GORDON, INC.  
U.S. Patent 10113317, 11168477, 12049758

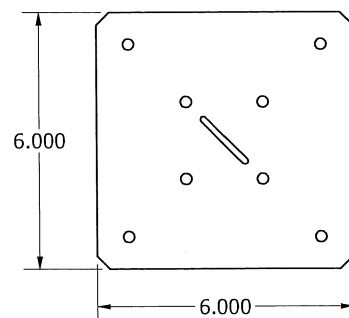
	SALES CODE	SHEET TITLE	UNITS: INCHES		PROJECT #
	SALES DIE #	WINLOK TEST ASSEMBLY AND DETAIL	SHEET	SALES ORDER	PATH & DRAWING NUMBER
ARCHITECT	JOB NAME	MIAMI DADE NOA TESTING -- WINLOK	5 OF 6	-	C:\_Gordon_TestVault\Designs\PRODUCT_DEVELOPMENT\WINLOK\138390 - MIAMI DADE NOA RENEWAL 2025
	CUSTOMER	MIAMI DADE NOA TESTING -- WINLOK	COMP DATE	DRAWN BY	CHKD BY
			7/28/2025	AUW	
			CHK DATE	DRAWING SCALE	PLOTTED SCALE
				AS NOTED	2:3
			SOFTWARE USED	REVISION	
					DV202590045



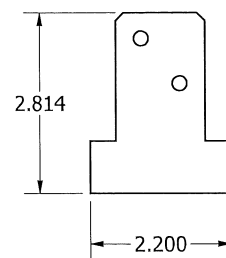
**2-WAY CONNECTOR (HP2)**  
SCALE 1 / 3  
0.125" ALUMINUM  
3003-H14  
Fy = 21,000 psi  
Fu = 22,000 psi



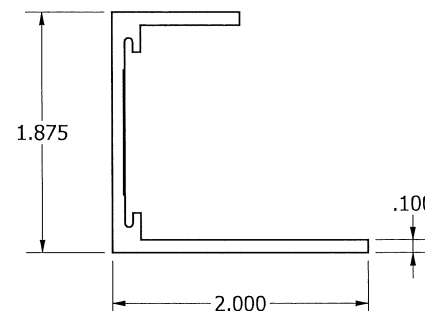
**3-WAY CONNECTOR (HP3)**  
SCALE 1 / 3  
0.125" ALUMINUM  
3003-H14  
Fy = 21,000 psi  
Fu = 22,000 psi



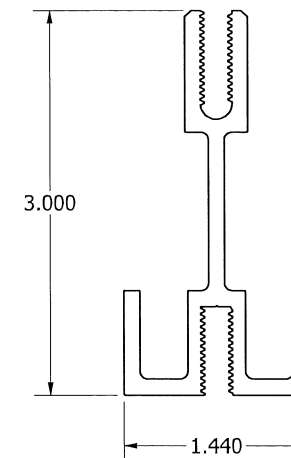
**4-WAY CONNECTOR (HP4)**  
SCALE 1 / 3  
0.125" ALUMINUM  
3003-H14  
Fy = 21,000 psi  
Fu = 22,000 psi



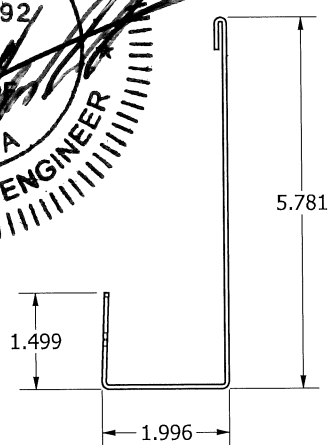
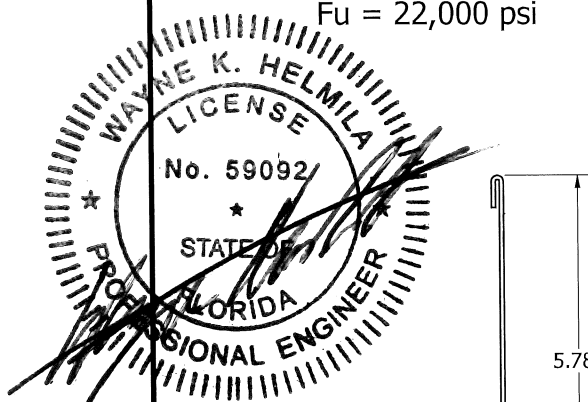
**HANGER TAB (WLHGR)**  
SCALE 1:2  
0.125" ALUMINUM  
3003-H14  
Fy = 21,000 psi  
Fu = 22,000 psi



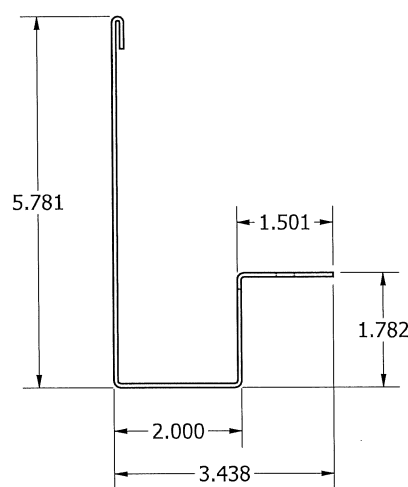
**PERIMETER C-CHANNEL**  
SCALE 1 : 1  
ALUMINUM ALLOY  
6063 - T6  
Fy = 31,000 psi  
Fu = 35,000 psi



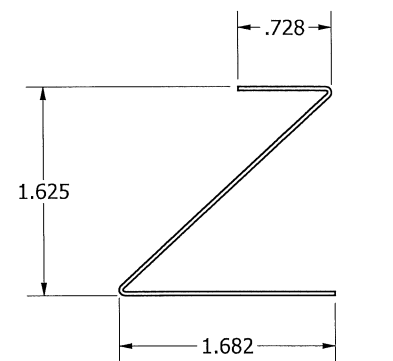
**WINLOK TEE PROFILE  
(MAIN/CROSS TEE)**  
SCALE 1 : 1  
ALUMINUM ALLOY  
6063 - T6  
Fy = 31,000 psi  
Fu = 35,000 psi



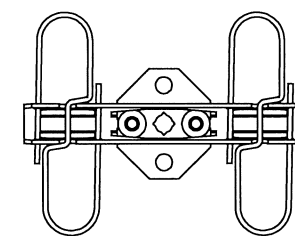
**PERIMETER TRIM PROFILE (J1/J2)**  
SCALE 1 : 2  
0.063 ALUMINUM  
3003-H14  
Fy = 21,000 psi  
Fu = 22,000 psi



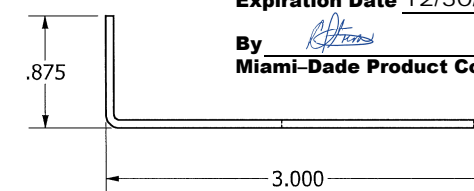
**PERIMETER TRIM PROFILE (J3)**  
SCALE 1 : 2  
0.063 ALUMINUM  
3003-H14  
Fy = 21,000 psi  
Fu = 22,000 psi



**PANEL HOLD DOWN ZEE**  
SCALE 1 : 1  
22GA GALV. STEEL



**WINLOK DOUBLE CLIP**  
SCALE 1 : 2  
SEE SHEET 5 FOR DETAILS



**L-ANGLE CLIP**  
SCALE 1 : 1  
0.063 ALUMINUM  
3003-H14

**PRODUCT REVISED**  
as complying with the Florida  
Building Code  
NOA-No. 25-1223.08  
Expiration Date 12/30/2030  
By *[Signature]*  
Miami-Dade Product Control

**RICE**  
ENGINEERING  
105 School Creek Trail  
Luxemburg, WI 54217  
Phone 920-617 1042  
Fax 920-617-1100  
www.rice-inc.com

Florida Firm No. F-0100005081  
Certificate of Authorization #9090  
Wayne K. Helmila  
Registration No. 59092

WINLOK SYSTEM - HARDWARE						
ITEM	DESCRIPTION	REFERENCE PAGE	MATERIAL	Fy	Fu	Fs
WL1/4-20 BOLT	1/4-20 SS SOCKET HEAD BOLT (USED TO INSTALL THE WINLOK CLIP, CONNECTORS AND THE PLATES)	SEE SHEET 1 & 2	SS 18-8	42KSI	84KSI	42KSI
#8 SCREW	#8-18 SELF TAPPING SCREW, 1/2" LONG	SEE SHEET 1	ZINC PLATED STEEL			
#12 SCREW	#12-14 SELF TAPPING SCREW, 1" LONG	SEE SHEET 1	ZINC PLATED STEEL			
#9 WOOD SCREW	#9 WOOD SCREW, 2.5" LONG	SEE SHEET 1	ZINC PLATED STEEL			
TAPE	DOUBLE SIDED VHB ACRYLIC FOAM TAPE, 1" WIDE	SEE SHEET 1				

WinLok™ IS A TRADEMARK OF GORDON, INC.  
U.S. Patent 10113317, 11168477, 12049758

**GORDON**  
ARCHITECTURAL+ENGINEERED SOLUTIONS  
5023 Hazel Jones Rd.  
Bossier City, LA 71111  
800.747.8954  
GORDON-INC.COM  
sales@gordon-inc.com

SALES CODE	SALES DIE #	ARCHITECT	CUSTOMER	COMP. DATE	DRAWN BY	CHKD BY	CHK DATE	DRAWING SCALE	PLOTTED SCALE	SOFTWARE USED	REVISION
			MIAMI DADE NOA TESTING - WINLOK	7/28/2025	AUW			AS NOTED	2:3	INVENTOR	-

WINLOK TEST ASSEMBLY AND DETAIL

UNITS: INCHES	PROJECT #	SHEET	SALES ORDER	PATH & DRAWING NUMBER
		6 OF 6	-	C:\_Gordon_test\Vault\Designs\PRODUCT_DEVELOPMENT\WINLOK\139390 - MIAMI DADE NOA RENEWAL 2025
				DV202590045