



MIAMI-DADE COUNTY  
**PRODUCT CONTROL SECTION**  
 11805 SW 26 Street, Room 208  
 Miami, Florida 33175-2474  
 T (786) 315-2590 F (786) 315-2599  
[www.miamidade.gov/economy](http://www.miamidade.gov/economy)

DEPARTMENT OF REGULATORY AND ECONOMIC RESOURCES (RER)  
 BOARD AND CODE ADMINISTRATION DIVISION  
**NOTICE OF ACCEPTANCE (NOA)**

**Tecnoglass, LLC**  
**3550 NW 49 Street**  
**Miami, FL 33142**

**SCOPE:**

This NOA is being issued under the applicable rules and regulations governing the use of construction materials. The documentation submitted has been reviewed and accepted by Miami-Dade County RER-Product Control Section to be used in Miami-Dade County and other areas where allowed by the Authority Having Jurisdiction (AHJ).

This NOA shall not be valid after the expiration date stated below. The Miami-Dade County Product Control Section (In Miami-Dade County) and/or the AHJ (in areas other than Miami-Dade County) reserve the right to have this product or material tested for quality assurance purposes. If this product or material fails to perform in the accepted manner, the manufacturer will incur the expense of such testing and the AHJ may immediately revoke, modify, or suspend the use of such product or material within their jurisdiction. RER reserves the right to revoke this acceptance if it is determined by Miami-Dade County Product Control Section that this product or material fails to meet the requirements of the applicable building code.

This product is approved as described herein and has been designed to comply with the Florida Building Code, including the High Velocity Hurricane Zone.

**DESCRIPTION: Series "HC200" Outswing Aluminum Casement Window – S.M.I.**

**APPROVAL DOCUMENT:** Drawing No. **W05-18**, titled "Series HC200 Aluminum Casement Wdw. (S.M.I.)", sheets 1 through 5 of 5, dated 04/08/05, with revision **I** dated 09/11/23, prepared by Al-Farooq Corporation, signed and sealed by Jalal Farooq, P.E., bearing the Miami-Dade County Product Control Renewal stamp with the Notice of Acceptance number and expiration date by the Miami-Dade County Product Control Section.

**MISSILE IMPACT RATING: Small Missile Impact Resistant.**

**LABELING:** Each unit shall bear a permanent label with the manufacturer's name or logo, **Barranquilla, Colombia S.A.**, series and following statement: "Miami-Dade County Product Control Approved" unless otherwise noted herein.

**RENEWAL** of this NOA shall be considered after a renewal application has been filed and there has been no change in the applicable building code negatively affecting the performance of this product.

**TERMINATION** of this NOA will occur after the expiration date or if there has been a revision or change in the materials, use, and/ or manufacture of the product or process. Misuse of this NOA as an endorsement of any product, for sales, advertising or any other purposes shall automatically terminate this NOA. Failure to comply with any section of this NOA shall be cause for termination and removal of NOA.

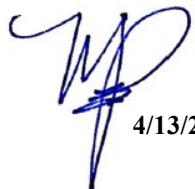
**ADVERTISEMENT:** The NOA number preceded by the words Miami-Dade County, Florida, and followed by the expiration date may be displayed in advertising literature. If any portion of the NOA is displayed, then it shall be done in its entirety.

**INSPECTION:** A copy of this entire NOA shall be provided to the user by the manufacturer or its distributors and shall be available for inspection at the job site at the request of the Building Official.

This NOA **renews NOA No. 25-0725.01** and consists of this page 1, evidence pages E-1, E-2 and E-3, as well as approval document mentioned above.

The submitted documentation was reviewed by **Manuel Perez, P.E.**



  
 4/13/26

NOA No. 26-0304.05  
**Expiration Date: June 30, 2027**  
**Approval Date: April 23, 2026**  
 Page 1

**NOTICE OF ACCEPTANCE: EVIDENCE SUBMITTED**

**1. EVIDENCE SUBMITTED UNDER PREVIOUS NOA's**

**A. DRAWINGS**

1. Manufacturer's die drawings and sections.  
*(Submitted under NOA No. 05-0427.01)*
2. Drawing No. **W05-18**, titled "Series HC200 Aluminum Casement Wdw. (S.M.I.)", sheets 1 through 5 of 5, dated 04/08/05, with revision **I** dated 09/11/23, prepared by Al-Farooq Corporation, signed and sealed by Jalal Farooq, P.E.  
*(Submitted under NOA No. 23-0928.12)*

**B. TESTS**

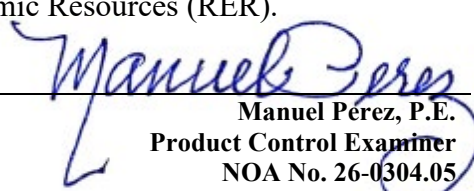
1. Test reports on: 1) Small Missile Impact Test per FBC, TAS 201-94  
2) Cyclic Wind Pressure Loading per FBC, TAS 203-94  
along with marked-up drawings and installation diagram of an outswing aluminum casement window, prepared by Fenestration Testing Laboratory, Inc., Test Reports No. **FTL-4571** and **FTL-4509**, dated 03/17/05 and 02/02/05 respectively, both signed and sealed by Edmundo Largaespada, P.E.  
*(Submitted under NOA No. 05-0427.01)*
2. Test reports on: 1) Air Infiltration Test, per FBC, TAS 202-94  
2) Uniform Static Air Pressure Test, Loading per FBC, TAS 202-94  
3) Water Resistance Test, per FBC, TAS 202-94  
4) Small Missile Impact Test per FBC, TAS 201-94  
5) Cyclic Wind Pressure Loading per FBC, TAS 203-94  
6) Forced Entry Test, per FBC 2411 3.2.1 and TAS 202-94  
along with marked-up drawings and installation diagram of an outswing aluminum casement window, prepared by Fenestration Testing Laboratory, Inc., Test Reports No. **FTL-4433** and **FTL-4415**, dated 02/02/05 and 12/09/04 respectively, both signed and sealed by Edmundo Largaespada, P.E.  
*(Submitted under NOA No. 05-0427.01)*

**C. CALCULATIONS**

1. Anchor verification calculations and structural analysis, complying with FBC 5<sup>th</sup> Edition (2014), dated 07/13/15 and 02/25/16 and further updated on 12/09/20 to comply with FBC 7<sup>th</sup> Edition (2020), prepared by Al-Farooq Corporation, signed and sealed by Jalal Farooq, P.E.  
*(Submitted under NOA No. 21-0113.06)*
2. Glazing complies with **ASTM E1300-09**

**D. QUALITY ASSURANCE**

1. Miami-Dade Department of Regulatory and Economic Resources (RER).

  
Manuel Perez, P.E.  
Product Control Examiner  
NOA No. 26-0304.05  
Expiration Date: June 30, 2027  
Approval Date: April 23, 2026

**NOTICE OF ACCEPTANCE: EVIDENCE SUBMITTED**

**1. EVIDENCE SUBMITTED UNDER PREVIOUS NOA's (CONTINUED)**

**E. MATERIAL CERTIFICATIONS**

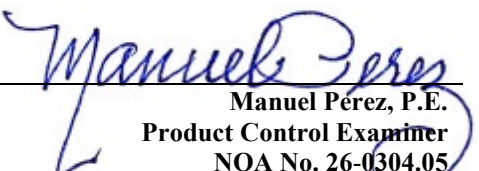
1. Notice of Acceptance No. **24-0205.08** issued to **Kuraray America, Inc.** for their “Trosifol® Ultraclear, Clear and Color PVB Glass Interlayers” dated 03/21/24, expiring on 07/08/29.

**F. STATEMENTS**

1. Statement letter of conformance, complying with **FBC 8<sup>th</sup> Edition (2023)** and of no financial interest, dated June 9, 2025, issued by Al-Farooq Corporation, signed and sealed by Jalal Farooq, P.E.  
*(Submitted under NOA No. 25-0725.01)*
2. Letter from consultant requesting a 1-year extension to allow time to perform verification test, dated 06/09/25 issued by Al-Farooq Corporation, signed and sealed by Jalal Farooq, P.E.  
*(Submitted under NOA No. 25-0725.01)*
3. Testing agreement letter dated 06/11/25 between Blackwater Technical Services, Inc. and Tecnoglass, LLC, issued by Blackwater and signed by Michael D. Caldwell, President.  
*(Submitted under NOA No. 25-0725.01)*
4. Laboratory compliance letter for Test Reports No. **FTL-4433, FTL-4571, FTL-4509** and **FTL-4415**, issued by Fenestration Testing Laboratory, Inc., dated 02/02/05, 03/17/05 and 12/09/04, all signed and sealed by Edmundo J. Largaespada, P.E.  
*(Submitted under NOA's No. 07-1019.03 and 05-0427.02)*
5. Letter of sales of assets and relinquishing of all rights of NOA No. **12-0410.26**, dated 07/15/14, issued by R.C. Aluminum Industries, Inc. signed by Raul Casares, for and on behalf of R.C. Aluminum Industries, Inc.  
*(Submitted under NOA No. 15-0715.03)*
6. Asset purchase agreement dated 06/19/14, signed by Mr. Raul Casares, for and on behalf of R.C. Aluminum Industries, Inc.  
*(Submitted under NOA No. 15-0715.03)*

**G. OTHERS**

1. Notice of Acceptance No. **23-0928.12**, issued to Tecnoglass, LLC, for their Series “HC200” Outswing Aluminum Casement Window – S.M.I., approved on 10/26/23 and expiring on 06/30/25.
2. This is a one-year approval, subjected to a successful verification test, the final approval will be issued for a total of 5 years.

  
Manuel Pérez, P.E.  
Product Control Examiner  
NOA No. 26-0304.05  
Expiration Date: June 30, 2027  
Approval Date: April 23, 2026

**NOTICE OF ACCEPTANCE: EVIDENCE SUBMITTED**

**2. NEW EVIDENCE SUBMITTED**

**A. DRAWINGS**

1. None.

**B. TESTS**

1. None.

**C. CALCULATIONS**

1. None.

**D. QUALITY ASSURANCE**

1. Miami-Dade Department of Regulatory and Economic Resources (RER)

**E. MATERIAL CERTIFICATIONS**

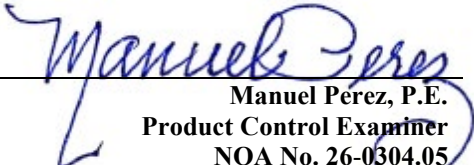
1. Notice of Acceptance No. **24-0205.08** issued to **Kuraray America, Inc.** for their “Trosifol® Ultraclear, Clear and Color PVB Glass Interlayers” dated 03/21/24, expiring on 07/08/29.

**F. STATEMENTS**

1. Statement letter of conformance, complying with **FBC 8<sup>th</sup> Edition (2023)** and of no financial interest, dated February 18, 2026, issued by Al-Farooq Corporation, signed and sealed by Jalal Farooq, P.E.
2. Letter from consultant requesting a 1-year extension to allow time to perform verification test, dated February 18, 2026, issued by Al-Farooq Corporation, signed and sealed by Jalal Farooq, P.E.
3. Testing agreement letter dated February 9, 2026, between Blackwater Technical Services, Inc. and E.S. Windows, LLC, issued by Blackwater Technical Services, Inc. and signed by Estefany Camargo, Business Operations Manager.

**G. OTHERS**

1. Notice of Acceptance No. **25-0725.01**, issued to Tecnoglass, LLC, for their Series “HC200” Outswing Aluminum Casement Window – S.M.I., approved on 08/07/25 and expiring on 06/30/26.
2. This is a one-year approval, subjected to a successful verification test, the final approval will be issued for a total of 5 years.

  
Manuel Perez, P.E.  
Product Control Examiner  
NOA No. 26-0304.05  
Expiration Date: June 30, 2027  
Approval Date: April 23, 2026

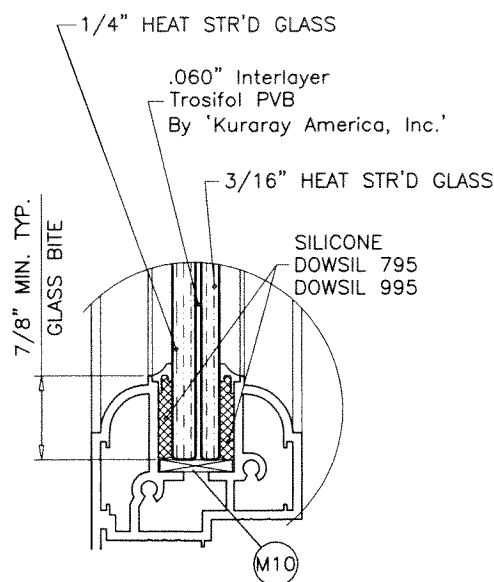
DESIGN LOAD CAPACITY - PSF			
WINDOW DIMS.		( X ) SIZES	
WIDTH	HEIGHT	EXT.(+)	INT.(-)
20"	36"	130.0	210.0
24"		130.0	210.0
28"		130.0	210.0
32"		130.0	165.0
36"		130.0	165.0
40"		130.0	165.0
42"	130.0	165.0	
20"	42"	130.0	210.0
24"		130.0	210.0
28"		130.0	165.0
32"		130.0	165.0
36"		130.0	165.0
40"		130.0	151.7
42"	130.0	144.5	
20"	48"	130.0	210.0
24"		130.0	165.0
28"		130.0	165.0
32"		130.0	165.0
36"		130.0	165.0
40"		130.0	165.0
42"	130.0	165.0	
20"	54"	130.0	165.0
24"		130.0	165.0
28"		130.0	165.0
32"		130.0	165.0
36"		130.0	165.0
40"		130.0	157.3
42"	130.0	149.8	
20"	60"	130.0	165.0
24"		130.0	165.0
28"		130.0	165.0
32"		130.0	165.0
36"		130.0	165.0
40"		130.0	150.0
42"	130.0	150.0	
20"	66"	130.0	165.0
24"		130.0	165.0
28"		130.0	165.0
32"		130.0	165.0
36"		130.0	150.0
40"		130.0	150.0
42"	130.0	150.0	
20"	72"	130.0	165.0
24"		130.0	165.0
28"		130.0	165.0
32"		130.0	165.0
36"		130.0	150.0
40"		130.0	147.5
42"	130.0	140.5	

DESIGN LOAD CAPACITY - PSF			
WINDOW DIMS.		( X ) SIZES	
WIDTH	HEIGHT	EXT.(+)	INT.(-)
20"	78"	130.0	165.0
24"		130.0	165.0
28"		130.0	165.0
32"		130.0	150.0
36"		130.0	150.0
40"		124.0	143.0
20"	84"	130.0	165.0
24"		130.0	165.0
28"		130.0	150.0
32"		118.0	136.2
36"		106.6	123.0

NOTE:  
GLASS CAPACITIES ON THIS SHEET ARE  
BASED ON ASTM E1300-09 (3 SEC. GUSTS)  
AND FLORIDA BUILDING COMMISSION  
DECLARATORY STATEMENT DCA05-DEC-219

DESIGN LOAD CAPACITY - PSF			
WINDOW DIMS.		( X ) SIZES	
WIDTH	HEIGHT	EXT.(+)	INT.(-)
19-1/8"	26"	130.0	210.0
26-1/2"		130.0	210.0
37"		130.0	210.0
42"		130.0	165.0
19-1/8"	38-3/8"	130.0	210.0
26-1/2"		130.0	210.0
37"		130.0	165.0
42"	130.0	158.1	
19-1/8"	50-5/8"	130.0	210.0
26-1/2"		130.0	165.0
37"		130.0	165.0
42"	130.0	159.8	
19-1/8"	63"	130.0	165.0
26-1/2"		130.0	165.0
37"		130.0	165.0
42"	130.0	150.0	
19-1/8"	76"	130.0	165.0
26-1/2"		130.0	165.0
37"		130.0	150.0
42"	130.0	133.1	

EXTERIOR



GLAZING DETAIL

**PRODUCT RENEWED**  
as complying with the Florida  
Building Code  
NOA-No. **26-0304.05**  
Expiration Date: **06/30/2027**  
By: *Manuel Perez*  
Miami-Dade Product Control

**SERIES HC200 ALUMINUM CASEMENT WINDOW**

DESIGN LOAD RATING FOR THESE WINDOWS TO BE AS PER  
CHARTS SHOWN ABOVE.

APPROVAL APPLIES TO SINGLE UNITS OR SIDE BY SIDE  
COMBINATIONS OF CASEMENT/CASEMENT OR CASEMENT WITH OTHER  
MIAMI-DADE COUNTY APPR'D WINDOWS USING MIAMI-DADE COUNTY  
APPROVED MULLIONS IN BETWEEN.

LOWER DESIGN PRESSURE FROM WINDOWS OR MULLION APPROVAL  
WILL APPLY TO ENTIRE SYSTEM.

THIS PRODUCT HAS BEEN DESIGNED AND TESTED TO COMPLY WITH THE  
REQUIREMENTS OF THE 2020 (7TH EDITION)/2023 (8TH EDITION) FLORIDA  
BUILDING CODE INCLUDING HIGH VELOCITY HURRICANE ZONE (HVHZ).

1BY OR 2BY WOOD BUCKS & BUCK FASTENERS BY OTHERS, MUST BE  
DESIGNED AND INSTALLED ADEQUATELY TO TRANSFER APPLIED PRODUCT  
LOADS TO THE BUILDING STRUCTURE.

ANCHORS SHALL BE CORROSION RESISTANT, SPACED AS SHOWN ON DETAILS  
AND INSTALLED PER MANUF'S INSTRUCTIONS. SPECIFIED EMBEDMENT TO BASE  
MATERIAL SHALL BE BEYOND WALL DRESSING OR STUCCO.

A LOAD DURATION INCREASE IS USED IN DESIGN OF ANCHORS INTO WOOD ONLY.

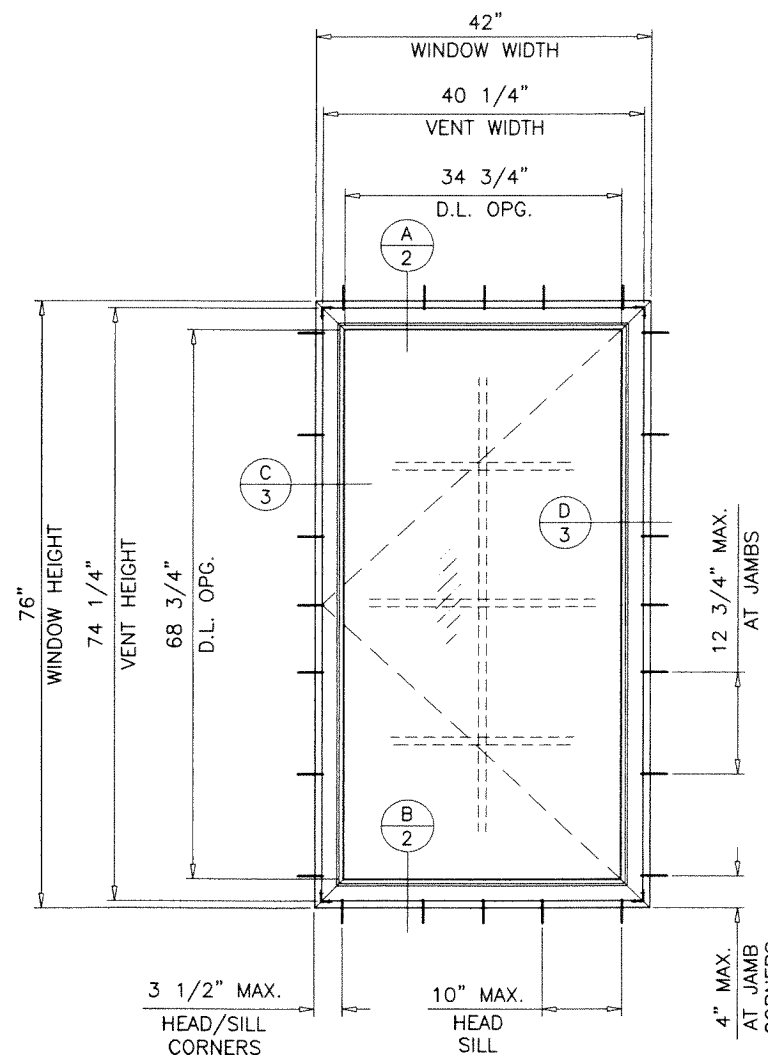
ALL SHIMS TO BE HIGH IMPACT, NON-METALLIC AND NON-COMPRESSIBLE.

MATERIALS INCLUDING BUT NOT LIMITED TO STEEL/METAL SCREWS, THAT  
COME INTO CONTACT WITH OTHER DISSIMILAR MATERIALS SHALL MEET THE  
REQUIREMENTS OF THE 2020/2023 FLORIDA BLDG. CODE & ADOPTED STANDARDS.

THIS PRODUCT APPROVAL IS GENERIC AND DOES NOT PROVIDE INFORMATION  
FOR A SITE SPECIFIC PROJECT, i.e. LIFE SAFETY OF THIS PRODUCT, ADEQUACY  
OF STRUCTURE RECEIVING THIS PRODUCT AND SEALING AROUND OPENING FOR  
WATER INFILTRATION RESISTANCE ETC.

CONDITIONS NOT SHOWN IN THIS DRAWING ARE TO BE ANALYZED SEPARATELY,  
AND TO BE REVIEWED BY BUILDING OFFICIAL.

DESIGN LOADS SHOWN ARE BASED ON 'ALLOWABLE STRESS DESIGN (ASD)'



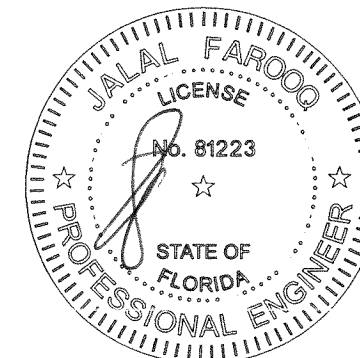
TYPICAL ELEVATION

**PRODUCT RENEWED**  
as complying with the Florida  
Building Code  
NOA-No. **25-0725.01**  
Expiration Date: **06/30/2026**  
By: *Manuel Perez*  
Miami-Dade Product Control

**PRODUCT REVISED**  
As complying with the Florida  
Building Code  
NOA-No. **23-0928.12**  
Expiration Date: **06/30/2025**  
By: *Manuel Perez*  
Miami-Dade Product Control

THESE WINDOWS ARE RATED FOR SMALL MISSILE IMPACT.  
MIAMI-DADE COUNTY APPROVED IMPACT RESISTANT SHUTTERS  
REQUIRED FOR INSTALLATIONS UP TO 30 FT. OF GRADE.  
SHUTTERS NOT REQD. FOR INSTALLATIONS ABOVE 30 FT. OF GRADE.

SEP 20 2023



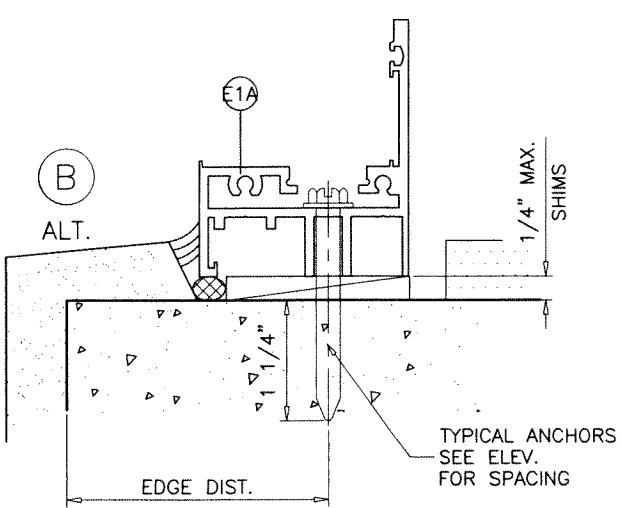
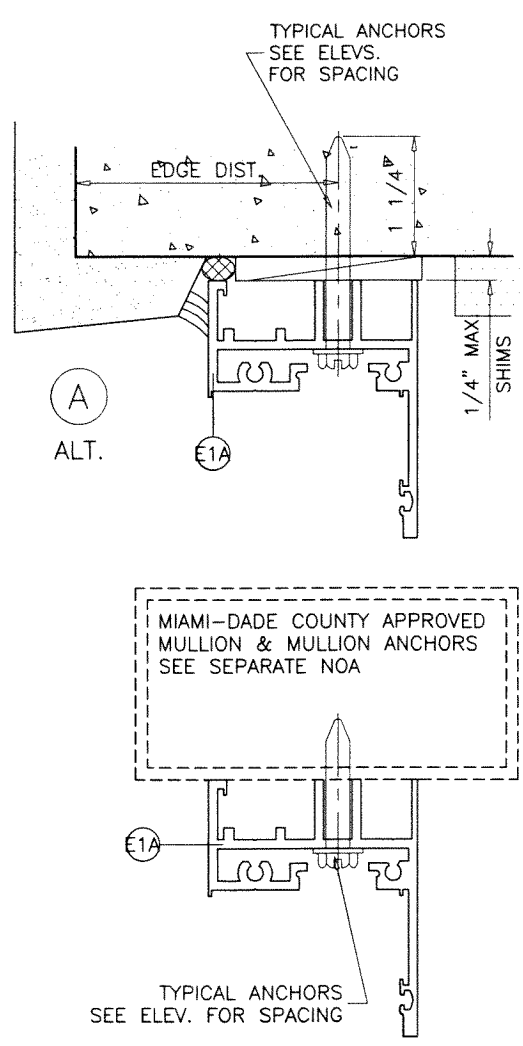
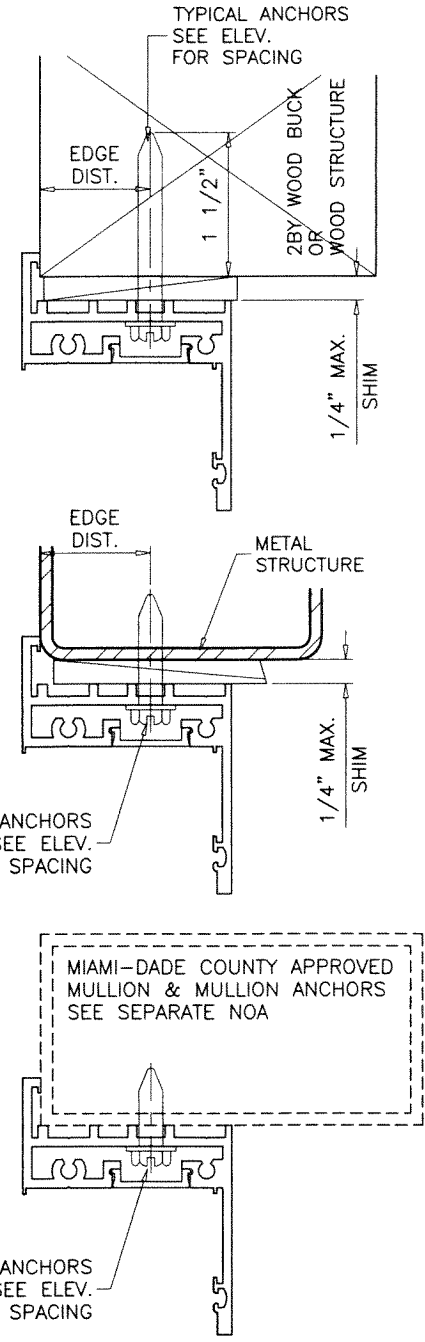
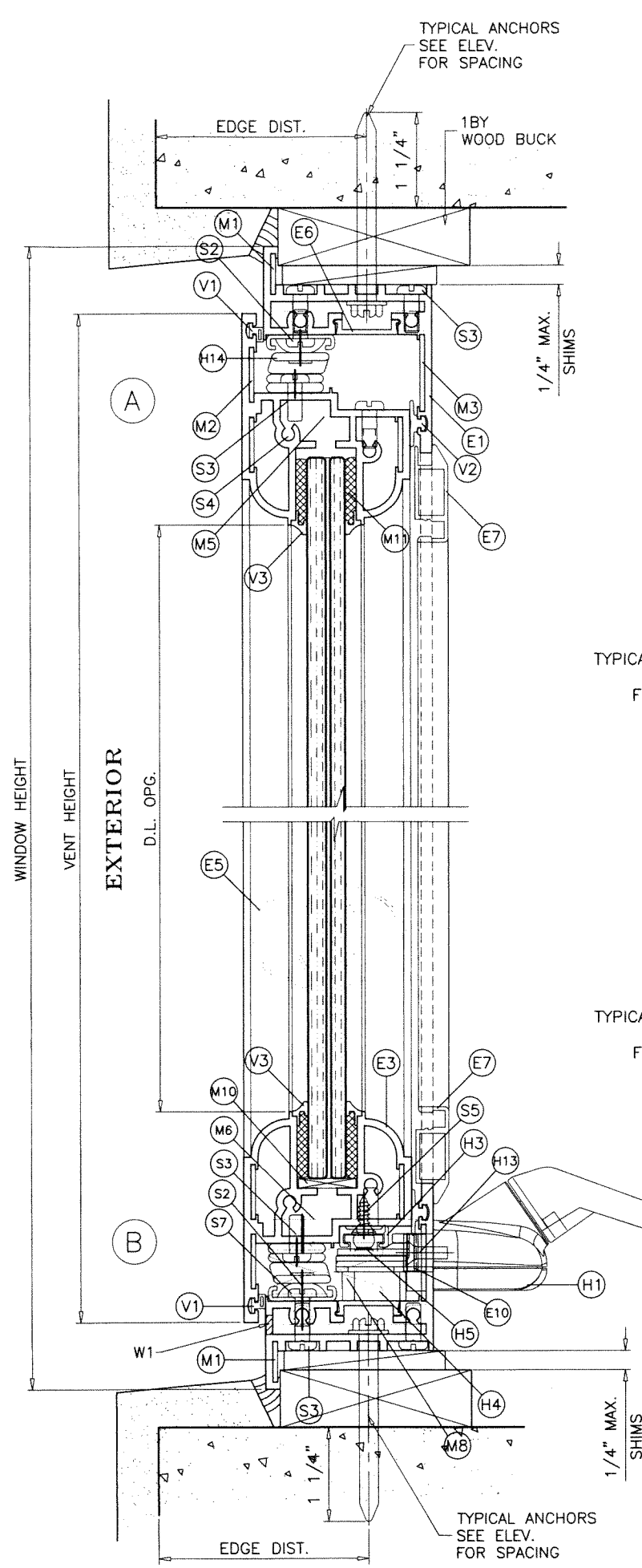
**AL-FAROOQ CORPORATION**  
ENGINEERS & PRODUCT DEVELOPMENT  
9360 SUNSET DRIVE, SUITE 220  
MIAMI, FLORIDA 33173  
TEL. (305) 264-8100 FAX. (305) 262-6978  
(C.A.N. 3538)  
COMP-ANL\W05-18RC

SERIES HC200 ALUMINUM CASEMENT WDW. (S.M.I.)  
**TECNOGLASS, LLC**  
3550 N.W. 49 STREET  
MIAMI, FL. 33142  
TEL. (305) 638-5151 FAX. (305) 638-5158

no	date	description
E	01.20.15	UPDATED TO 2014 FBC
F	12.21.15	REV. PER RER COMMENTS
G	03.19.18	UPDATED TO 2017 FBC
H	12.14.20	UPDATED TO 2020 FBC
I	09.11.23	UPDATED TO 2023 FBC

date: 04-08-05  
scale: 1/2"=1'-0"  
dr. by: TARIQ  
chk. by:

drawing no.  
**W05-18**  
sheet 1 of 5



WOOD BUCKS AND METAL STRUCTURE NOT BY 'TECHNOGLASS' MUST SUSTAIN LOADS IMPOSED BY GLAZING SYSTEM AND TRANSFER THEM TO THE BUILDING STRUCTURE.

**TYPICAL ANCHORS:** SEE ELEV. FOR SPACING  
**1/4" DIA. ULTRACON+ BY 'DEWALT'** (Fu=164 KSI, Fy=148 KSI) INTO 2BY WOOD BUCKS OR WOOD STRUCTURES 1-1/2" MIN. PENETRATION INTO WOOD (HEAD/SILL/JAMBS) THRU 1BY BUCKS INTO CONC. OR BLOCKS 1-1/4" MIN. EMBED INTO CONCRETE (HEAD/SILL/JAMBS) 1-1/4" MIN. EMBED INTO BLOCKS (JAMBS) DIRECTLY INTO CONCRETE OR BLOCKS 1-1/4" MIN. EMBED INTO CONCRETE (HEAD/SILL/JAMBS) 1-1/4" MIN. EMBED INTO BLOCKS (JAMBS)

**#14 SMS OR SELF-DRILLING SCREWS** (GRADE 2 CRS) INTO MIAMI-DADE COUNTY APPROVED MULLIONS OR INTO METAL STRUCTURES (HEAD/SILL/JAMBS) (3) THREADS MIN. TO EXTEND BEYOND METAL THICKNESS ALUMINUM: 1/8" THK. MIN. (6063-T5 MIN.) STEEL: 1/8" THK. MIN. (Fy = 36 KSI MIN.) (STEEL IN CONTACT WITH ALUMINUM TO BE PLATED OR PAINTED)

**CRITICAL EDGE DISTANCE**  
 INTO CONCRETE AND BLOCKS = 2-3/4" MIN.  
 INTO WOOD STRUCTURE = 1" MIN.  
 INTO METAL STRUCTURE = 3/4" MIN.

WOOD AT HEAD, SILL OR JAMBS SG = 0.55 MIN.  
 CONCRETE AT HEAD, SILL OR JAMBS f'c = 3000 PSI MIN.  
 C-90 HOLLOW/FILLED BLOCK AT JAMBS f'm = 2000 PSI MIN.

**SEALANTS:**  
 ALL FRAME AND VENT CORNERS SEALED WITH SILICONE.

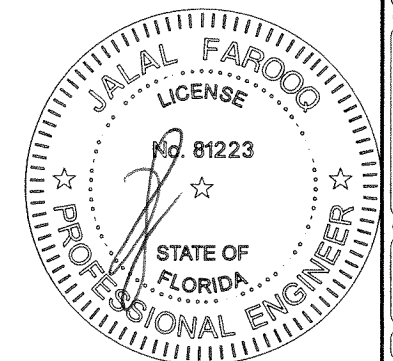
**WEEP HOLES:**  
 W1 = 1/4" X 1/2" WEEP SLOT AT 4" FROM EACH END

**PRODUCT RENEWED**  
 as complying with the Florida Building Code  
 NOA-No. **26-0304.05**  
 Expiration Date: **06/30/2027**  
 By: *Manuel Perez*  
 Miami-Dade Product Control

**PRODUCT RENEWED**  
 as complying with the Florida Building Code  
 NOA-No. **25-0725.01**  
 Expiration Date: **06/30/2026**  
 By: *Manuel Perez*  
 Miami-Dade Product Control

**PRODUCT REVISED**  
 As complying with the Florida Building Code  
 NOA-No. **23-0928.12**  
 Expiration Date: **06/30/2025**  
 By: *Manuel Perez*  
 Miami-Dade Product Control

SEP 20 2023



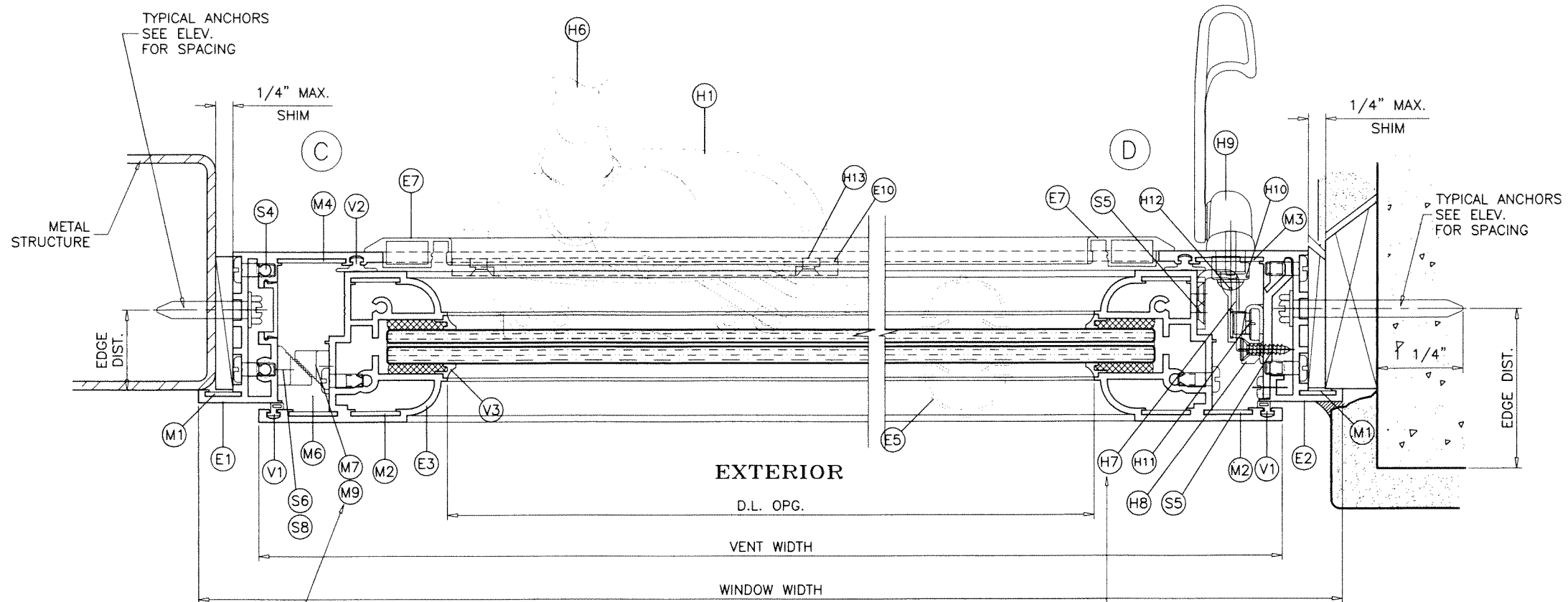
**AL-FAROOQ CORPORATION**  
 ENGINEERS & PRODUCT DEVELOPMENT  
 9360 SUNSET DRIVE, SUITE 220  
 MIAMI, FLORIDA 33173  
 TEL. (305) 264-8100 FAX. (305) 262-6978  
 COMP-ANL\W05-18RC

SERIES HC200 ALUMINUM CASEMENT WDW. (S.M.I.)  
**TECNOGLASS, LLC**  
 3550 N.W. 49 STREET  
 MIAMI, FL. 33142  
 TEL. (305) 638-5151 FAX. (305) 638-5158

no.	date	description
E	01.20.15	UPDATED TO 2014 FBC
F	12.21.15	REV. PER RER COMMENTS
G	03.19.18	UPDATED TO 2017 FBC
H	12.14.20	UPDATED TO 2020 FBC
I	09.11.23	NO CHANGE THIS SHEET

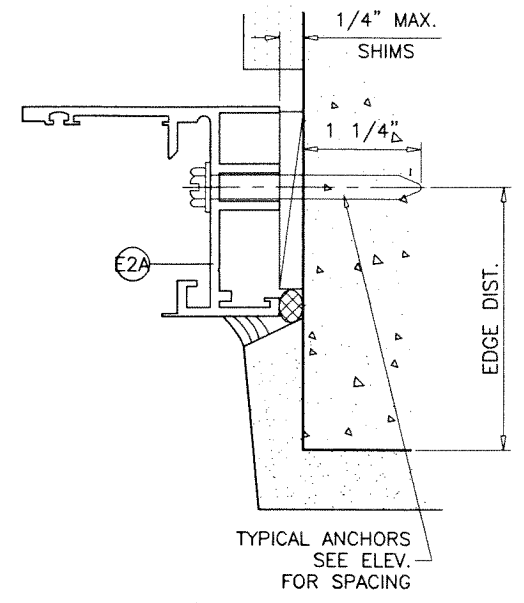
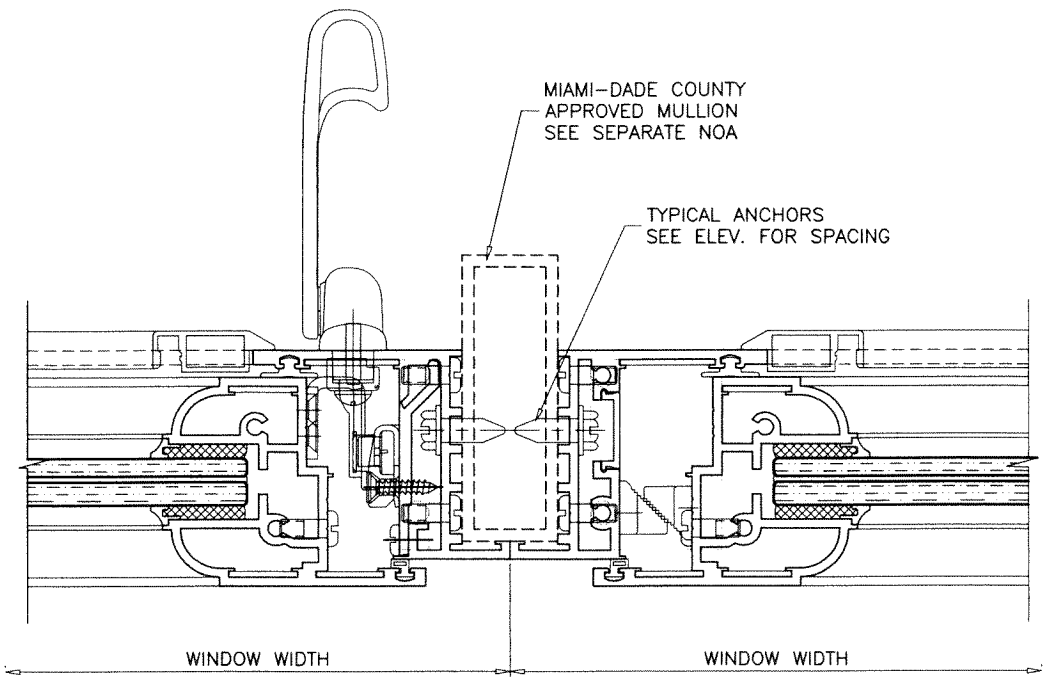
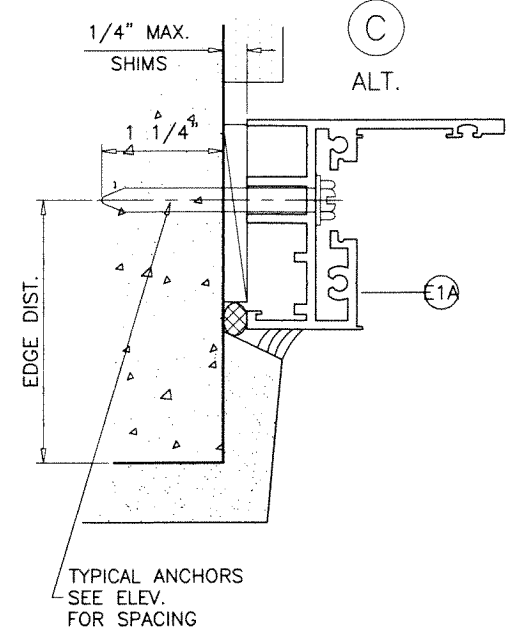
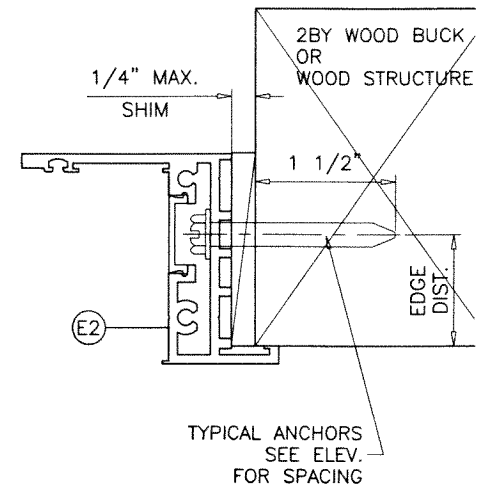
date: 04-08-05  
 scale: 1/2" = 1"  
 dr. by: TARIQ  
 chk. by:

drawing no.  
**W05-18**  
 sheet 2 of 5



**SNUBBERS**  
 3 PLASTIC SNUBBERS UP TO 38-3/8" WDW. HTS.  
 2 ALUM + 2 PLASTIC SNUBBERS UP TO 60" WDW. HTS.  
 3 ALUM + 2 PLASTIC SNUBBERS OVER 60" WDW. HTS.

**LATCH KEEPER**  
 3 PER JAMB UP TO 38-3/8" WDW. HTS.  
 4 PER JAMB UP TO 63" WDW. HTS.  
 5 PER JAMB OVER 63" WDW. HTS.

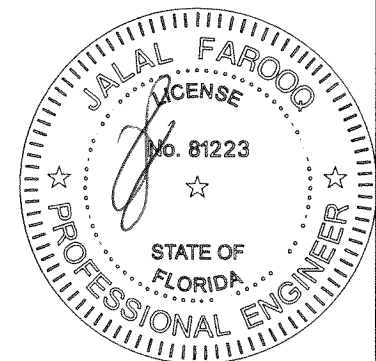


**PRODUCT RENEWED**  
 as complying with the Florida Building Code  
**NOA-No. 26-0304.05**  
**Expiration Date: 06/30/2027**  
 By: *Manuel Perez*  
 Miami-Dade Product Control

**PRODUCT RENEWED**  
 as complying with the Florida Building Code  
**NOA-No. 25-0725.01**  
**Expiration Date: 06/30/2026**  
 By: *Manuel Perez*  
 Miami-Dade Product Control

**PRODUCT REVISED**  
 As complying with the Florida Building Code  
**NOA-No. 23-0928.12**  
**Expiration Date: 06/30/2025**  
 By: *Manuel Perez*  
 Miami-Dade Product Control

SEP 20 2023



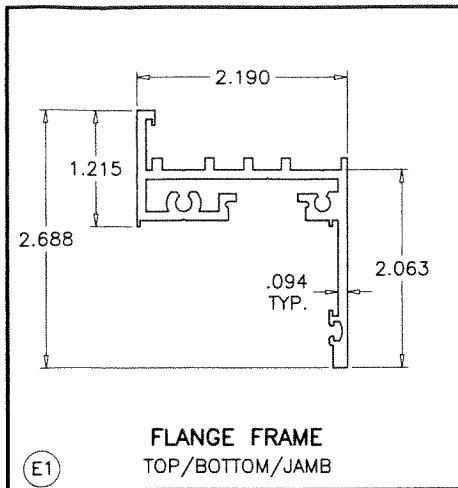
**af c**  
**AL-FAROOQ CORPORATION**  
 ENGINEERS & PRODUCT DEVELOPMENT  
 9360 SUNSET DRIVE, SUITE 220 (C.A.N. 3538)  
 MIAMI, FLORIDA 33173 TEL. (305) 264-8100 FAX. (305) 262-6978  
 COMP-ANL\W05-18RC

SERIES HC200 ALUMINUM CASEMENT WDW. (S.M.I.)  
**TECNOGLASS, LLC**  
 3550 N.W. 49 STREET  
 MIAMI, FL. 33142  
 TEL. (305) 638-5151 FAX. (305) 638-5158

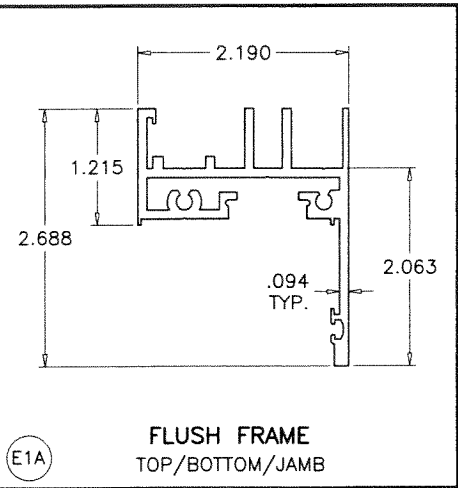
no	date	description	by
E	01.20.15	UPDATED TO 2014 FBC	
F	12.21.15	REV. PER RER COMMENTS	
G	03.19.18	UPDATED TO 2017 FBC	
H	12.14.20	UPDATED TO 2020 FBC	
I	09.11.23	NO CHANGE THIS SHEET	

date: 04-08-05  
 scale: 1/2" = 1"  
 dr. by: TARIQ  
 chk. by:

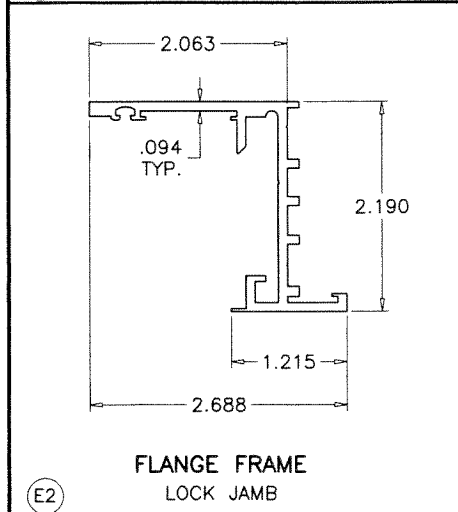
drawing no.  
**W05-18**  
 sheet 3 of 5



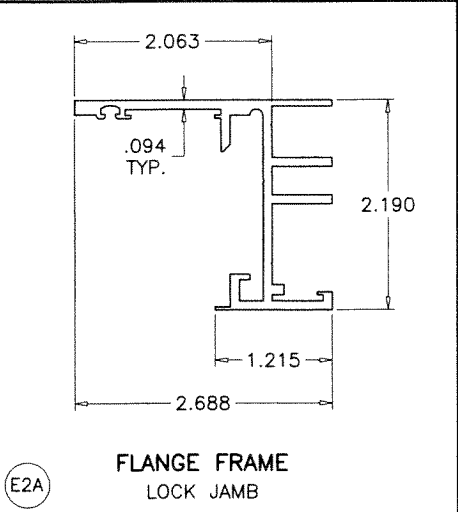
E1 FLANGE FRAME TOP/BOTTOM/JAMB



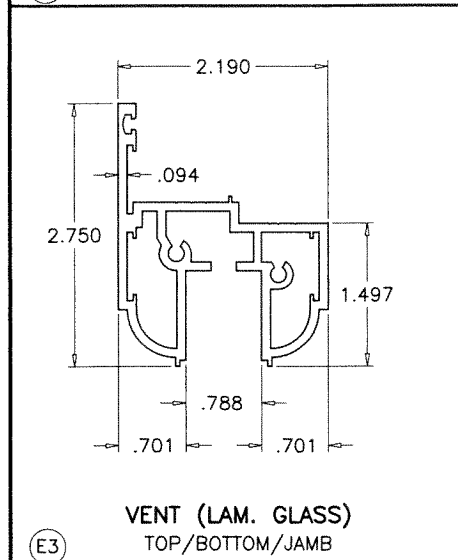
E1A FLUSH FRAME TOP/BOTTOM/JAMB



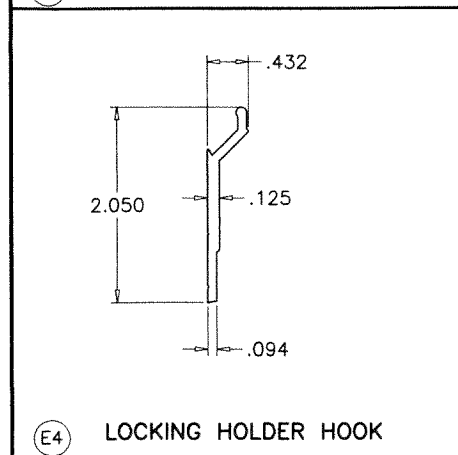
E2 FLANGE FRAME LOCK JAMB



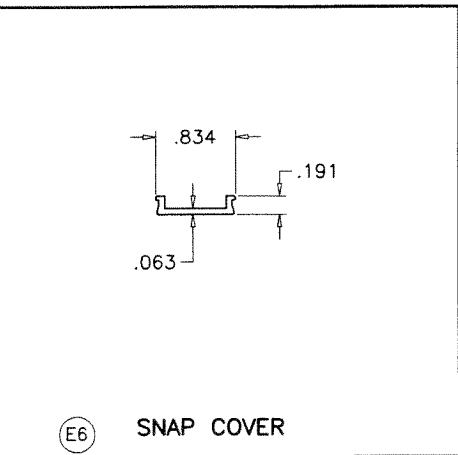
E2A FLANGE FRAME LOCK JAMB



E3 VENT (LAM. GLASS) TOP/BOTTOM/JAMB



E4 LOCKING HOLDER HOOK



E6 SNAP COVER

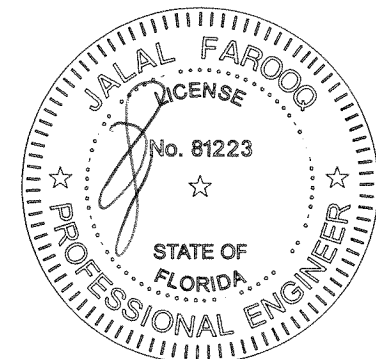
ITEM	PART #	QUANTITY	DESCRIPTION	MATERIAL	MANF./SUPPLIER/REMARKS
E1	HC200-001	3/	WDW.	FLANGE FRAME TOP , BOTTOM & JAMB (NON LOCK)	6063-T6 -
E1A	HC200-008	3/	WDW.	FLUSH FRAME TOP , BOTTOM & JAMB (NON LOCK)	6063-T6 -
E2	HC200-002	1/	WDW.	FLANGE FRAME LOCK JAMB	6063-T6 -
E2A	HC200-009	1/	WDW.	FLUSH FRAME LOCK JAMB	6063-T6 -
E3	HC200-003	4/	WDW.	VENT TOP , BOTTOM & JAMBS (LAM. GLASS)	6063-T6 -
E4	HC200-004	1/	WDW.	LOCKING HOLDER HOOK	6063-T6 -
E5	HC200-005	AS	REQD.	OPTIONAL MUNTIN	ALUMINUM -
E6	BD4500-015	4/	WDW.	SNAP COVER (OPTIONAL)	ALUMINUM -
E7	1/	WDW.	-	SCREEN (OPTIONAL)	ALUMINUM -
E10	CM100-022	-	-	ANCHOR ARM FOR ROTO OPERATOR	- -
V1	V-059	AS	REQD.	EXTERIOR W/STP. VINYL	PVC -
V2	V-033A	AS	REQD.	TR-5804N COMPRESSION GASKET (INSIDE)	NEOPRENE TREMCO
V3	P-021 (OPTIONAL)	AS	REQD.	COSMETIC COVER SEAL MELTPPOINT	- -
M1	HC200-M01	1/	CORNER	FRAME SMALL CORNER LOCK	ST. STEEL 16 GA.
M2	HC200-M02	3/	CORNER	VENT CORNER LOCK	ST. STEEL 16 GA.
M3	HC200-M03	1/	CORNER	FRAME LARGE CORNER LOCK	ST. STEEL 16 GA.
M4	HC200-M04	1	-	FRAME LARGE CORNER LOCK (AT ROTO OPERATOR ONLY)	ST. STEEL 16 GA.
M5	HC200-M05	1/	CORNER	LEFT HAND FRAME CORNER LOCK	6063-T6 -
M6	HC200-M06	1/	CORNER	RIGHT HAND FRAME CORNER LOCK	6063-T6 -
M7	HC200-M07	-	-	ALUMINUM SNUBBER	- -
M8	P-030	-	-	NYLON CAM	- -
M9	P#12206	-	-	NYLON SNUBBERS	- -
M10		2/	LITE	1/8" X 3/4" SETTING BLOCK, AT 1/4 POINTS	EPDM DUROMETER 80±5 SHORE A
M12	HC200-M08	-	-	GUIDE HOUSING	ALUMINUM -
M13	P-031	-	-	SHIM ANTI FRICTION	PLASTIC -
H1	CD25	-	-	9.5" SINGLE ARM OPERATOR	ST/ST ROTO HARDWARE
H3	CB304	1/	WDW.	SURFACE MOUNT OPERATOR	- ROTO HARDWARE
H4	CB253	1	-	8.5 MM. OPERATOR BOTTOM SPACER	- ROTO HARDWARE
H5	CB201	1	-	OPERATOR TOP SPACER	- ROTO HARDWARE
H7	L1305-2111	3	-	KEEPERS	ST/ST ROTO HARDWARE
H8	GT553	-	-	GUIDE HOUSING	- ROTO HARDWARE
H9	LH088-7510	-	-	WHITE HANDLE	- ROTO HARDWARE
H10	G2-HND-LPLT-02	-	-	HANDLE FASTENER PLATE	- ROTO HARDWARE
H11	LB06	1	-	LOCK POINT STAINLESS STEEL	- ROTO HARDWARE
H12	GT990	-	-	#10-32X 3/8" LG. PH. MACHINE SCREW (LOCKING HANDLE)	ST/ST -
H13	M1000	-	-	#8-32X 3/4" LG. PHL. FH. THREAD CUTTING (ANCHOR ARM)	ST/ST -
H14		2	-	4 BAR HINGE	- TRUTH OR BRONZE CRAFT
S2		-	-	#10 X 3/8" LG. PH. PHL. SMS. (ARM-FRAME)	ST/ST -
S3		-	-	#10 X 1/2" LG. PH. PHL. SMS. (ARM-VENT)	ST/ST -
S4		-	-	#10 X 1-1/2" LG. PH. PHL. SMS. (ASSEMBLY)	ST/ST -
S5		-	-	#8-32 X 1/2" LG. FH. PHL. (GUIDES-SURFACE MOUNT)	ST/ST -
S6		-	-	#6 X 1/2" LG. FH. PHL. SMS. (SNUBBERS)	ST/ST -
S7		-	-	#10 X 1/2" LG. PHL. FH. SMS.	ST/ST -
S8		-	-	#6 X 1/2" LG. PH. SMS. ST/ST AT ALUM. SNUBBER	- -

**PRODUCT RENEWED**  
as complying with the Florida Building Code  
NOA-No. 26-0304.05  
Expiration Date: 06/30/2027  
By: *Manuel Perez*  
Miami-Dade Product Control

**PRODUCT RENEWED**  
as complying with the Florida Building Code  
NOA-No. 25-0725.01  
Expiration Date: 06/30/2026  
By: *Manuel Perez*  
Miami-Dade Product Control

**PRODUCT REVISED**  
As complying with the Florida Building Code  
NOA-No. 23-0928.12  
Expiration Date: 06/30/2025  
By: *Manuel Perez*  
Miami-Dade Product Control

SEP 20 2023



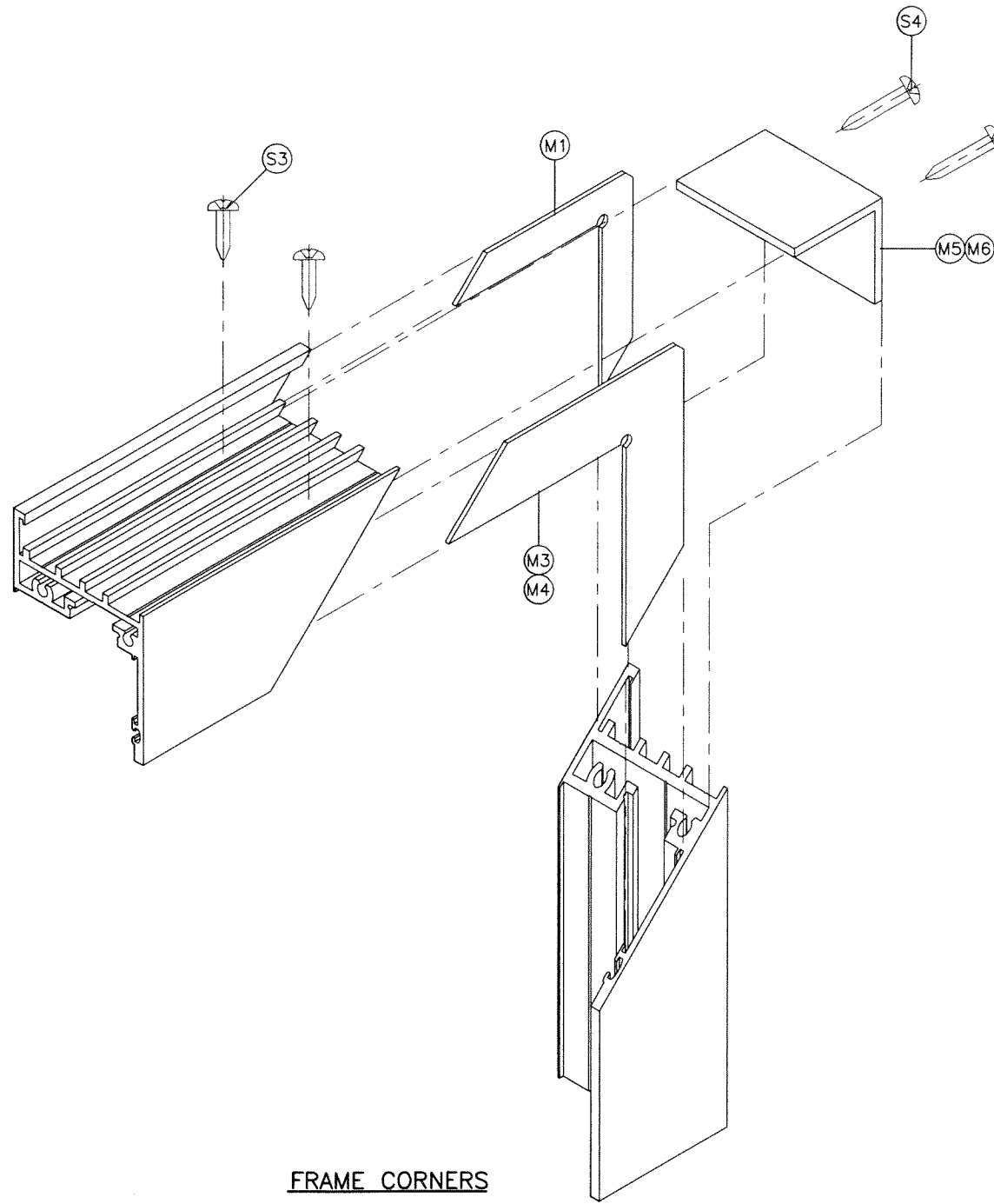
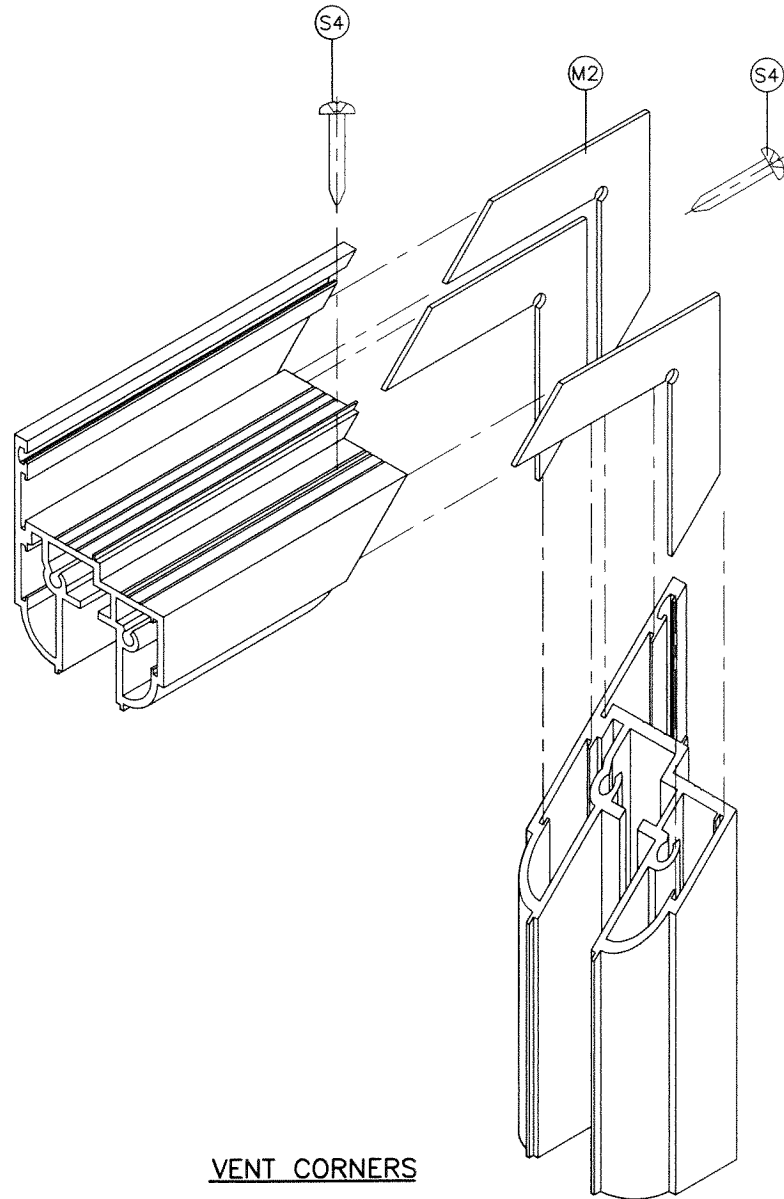
**AL-FAROOQ CORPORATION**  
ENGINEERS & PRODUCT DEVELOPMENT  
9360 SUNSET DRIVE, SUITE 220  
MIAMI, FLORIDA 33173  
TEL. (305) 264-8100 FAX. (305) 262-6978  
COMP-ANL\W05-18RC

SERIES HC200 ALUMINUM CASEMENT WDW. (S.M.I.)  
**TECNOGLASS, LLC**  
3550 N.W. 49 STREET  
MIAMI, FL. 33142  
TEL. (305) 638-5151 FAX. (305) 638-5158

revisions:

no	date	description
E	01.20.15	UPDATED TO 2014 FBC
F	12.21.15	NO CHANGE THIS SHEET
G	03.19.18	UPDATED TO 2017 FBC
H	12.14.20	UPDATED TO 2020 FBC
I	09.11.23	NO CHANGE THIS SHEET

date: 04-08-05  
scale: 1/2" = 1"  
dr. by: TARIQ  
chk. by:  
drawing no. **W05-18**  
sheet 4 of 5

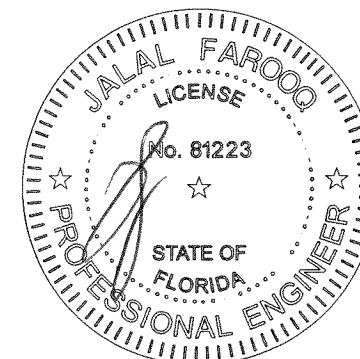


**PRODUCT RENEWED**  
 as complying with the Florida  
 Building Code  
 NOA-No. 26-0304.05  
 Expiration Date: 06/30/2027  
 By: *Manuel Perez*  
 Miami-Dade Product Control

**PRODUCT RENEWED**  
 as complying with the Florida  
 Building Code  
 NOA-No. 25-0725.01  
 Expiration Date: 06/30/2026  
 By: *Manuel Perez*  
 Miami-Dade Product Control

**PRODUCT REVISED**  
 As complying with the Florida  
 Building Code  
 NOA-No. 23-0928.12  
 Expiration Date: 06/30/2025  
 By: *Manuel Perez*  
 Miami-Dade Product Control

SEP 20 2023



**af c**  
**AL-FAROOQ CORPORATION**  
 ENGINEERS & PRODUCT DEVELOPMENT  
 9360 SUNSET DRIVE, SUITE 220 (C.A.N. 3538)  
 MIAMI, FLORIDA 33173  
 TEL. (305) 264-8100 FAX. (305) 262-6978

SERIES HC200 ALUMINUM CASEMENT WDW. (S.M.I.)  
**TECNOGLASS, LLC**  
 3550 N.W. 49 STREET  
 MIAMI, FL. 33142  
 TEL. (305) 638-5151 FAX. (305) 638-5158

no	date	by	description
E	01.20.15		UPDATED TO 2014 FBC
F	12.21.15		NO CHANGE THIS SHEET
G	03.19.18		UPDATED TO 2017 FBC
H	12.14.20		UPDATED TO 2020 FBC
I	09.11.23		NO CHANGE THIS SHEET

date: 04-08-05  
 scale: 1/2" = 1"  
 dr. by: TARIQ  
 chk. by:

drawing no.  
**W05-18**  
 sheet 5 of 5

COMP-ANL\W05-18RC