



MIAMI-DADE COUNTY
BUILDING CODE COMPLIANCE OFFICE (BCCO)
PRODUCT CONTROL DIVISION

MIAMI-DADE COUNTY, FLORIDA
METRO-DADE FLAGLER BUILDING
140 WEST FLAGLER STREET, SUITE 1603
MIAMI, FLORIDA 33130-1563
(305) 375-2901 FAX (305) 375-2908

NOTICE OF ACCEPTANCE (NOA)

Sunshine Windows Manufacturing, Inc.
1745 W. 33rd Place
Hialeah, Florida 33012

SCOPE:

This NOA is being issued under the applicable rules and regulations governing the use of construction materials. The documentation submitted has been reviewed by Miami-Dade County Product Control Division and accepted by the Board of Rules and Appeals (BORA) to be used in Miami Dade County and other areas where allowed by the Authority Having Jurisdiction (AHJ).

This NOA shall not be valid after the expiration date stated below. The Miami-Dade County Product Control Division (In Miami Dade County) and/or the AHJ (in areas other than Miami Dade County) reserve the right to have this product or material tested for quality assurance purposes. If this product or material fails to perform in the accepted manner, the manufacturer will incur the expense of such testing and the AHJ may immediately revoke, modify, or suspend the use of such product or material within their jurisdiction. BORA reserves the right to revoke this acceptance, if it is determined by Miami-Dade County Product Control Division that this product or material fails to meet the requirements of the applicable building code.

This product is approved as described herein, and has been designed to comply with the High Velocity Hurricane Zone of the Florida Building Code.

DESCRIPTION: Series 2001 Aluminum French Door Impact Resistant.

APPROVAL DOCUMENT: Drawing No. FDI-1, titled "Series 2001 Aluminum French Door Impact Resistant", sheets 1 through 3 of 3, prepared by the manufacturer, dated 09/16/02 with no revisions signed and sealed by F. Hernandez, P.E., bearing the Miami-Dade County Product Control Approval stamp with the Notice of Acceptance number and approval date by the Miami-Dade County Product Control Division.

MISSILE IMPACT RATING: Large and Small Missile Impact

LABELING: Each unit shall bear a permanent label with the manufacturer's name or logo, city, state and following statement: "Miami-Dade County Product Control Approved", unless otherwise noted herein.

RENEWAL of this NOA shall be considered after a renewal application has been filed and there has been no change in the applicable building code negatively affecting the performance of this product.

TERMINATION of this NOA will occur after the expiration date or if there has been a revision or change in the materials, use, and/or manufacture of the product or process. Misuse of this NOA as an endorsement of any product, for sales, advertising or any other purposes shall automatically terminate this NOA. Failure to comply with any section of this NOA shall be cause for termination and removal of NOA.

ADVERTISEMENT: The NOA number preceded by the words Miami-Dade County, Florida, and followed by the expiration date may be displayed in advertising literature. If any portion of the NOA is displayed, then it shall be done in its entirety.

INSPECTION: A copy of this entire NOA shall be provided to the user by the manufacturer or its distributors and shall be available for inspection at the job site at the request of the Building Official.

This NOA consists of this page 1 as well as approval document mentioned above.

The submitted documentation was reviewed by Candido E. Font, P.E.


 4/17/3



NOA No 02-1104.03
Expiration Date: May 08, 2008
Approval Date: May 08, 2003
Page 1

Sunshine Windows Manufacturing, Inc.

NOTICE OF ACCEPTANCE: EVIDENCE SUBMITTED

(For File ONLY. Not part of NOA)

A. DRAWINGS

1. Drawing No. **FDI-1**, titled "Series 2001 Aluminum French Door Impact Resistance", sheets 1 through 3 of 3, prepared by the manufacturer, dated 09/16/02 with no revision, signed and sealed by F. Hernandez, P.E.

B. TESTS

1. Test reports on
 - 1) Air Infiltration Test, per FBC, TAS 202-94
 - 2) Uniform Static Air Pressure Test, Loading per FBC, TAS 20294
 - 3) Water Resistance Test, per FBC, TAS 202-94
 - 4) Large Missile Impact Test per FBC, TAS 201-94
 - 5) Cyclic Wind Pressure Loading per FBC, TAS 203-94
 - 6) Forced Entry Test, per FBC 2411 3.2.1 and TAS 202-94

Along with marked-up drawings and installation diagram of an aluminum swinging glass door, prepared by Fenestration Testing Laboratory, Inc., Test Report No. 3399, dated 07/24/02, signed and sealed by Late Gilbert Diamond, P.E., reviewed by J. O. Chan, P. E.

C. CALCULATIONS

1. Anchor Calculations and structural analysis, prepared by Francisco Hernandez, PE, dated 01/10/02, signed and sealed by F. Hernandez, P.E.

D. MATERIAL CERTIFICATIONS

1. Notice of Acceptance No. **01-0205.02** issued to Solutia, Inc. for "Saflex/Keepsafe Maximum", expiring on 05/21/06
2. Die drawings prepared by Alcan Extrusions AWC-36, 37, 38, 39, 47 & 57, dated 2003.

E. STATEMENTS

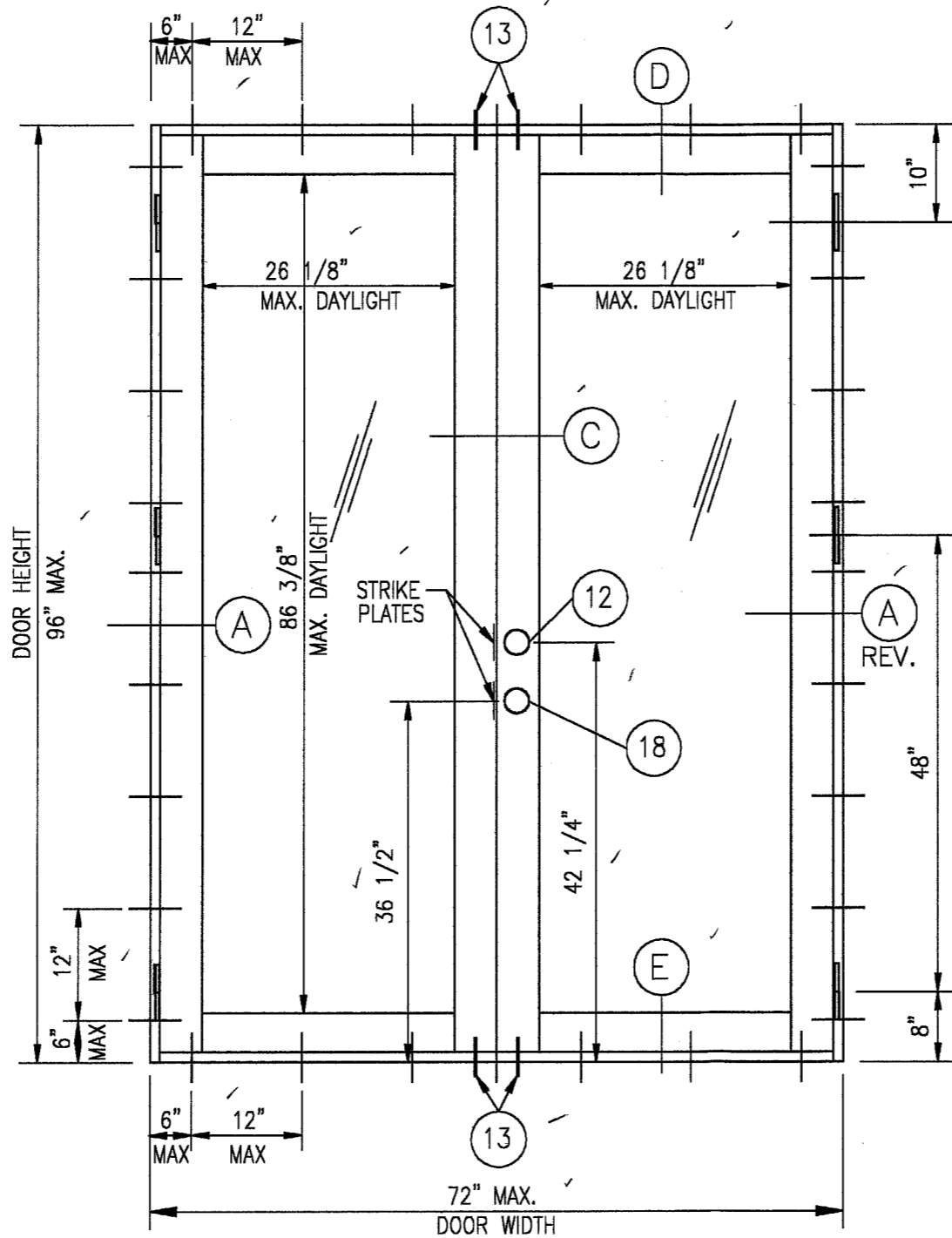
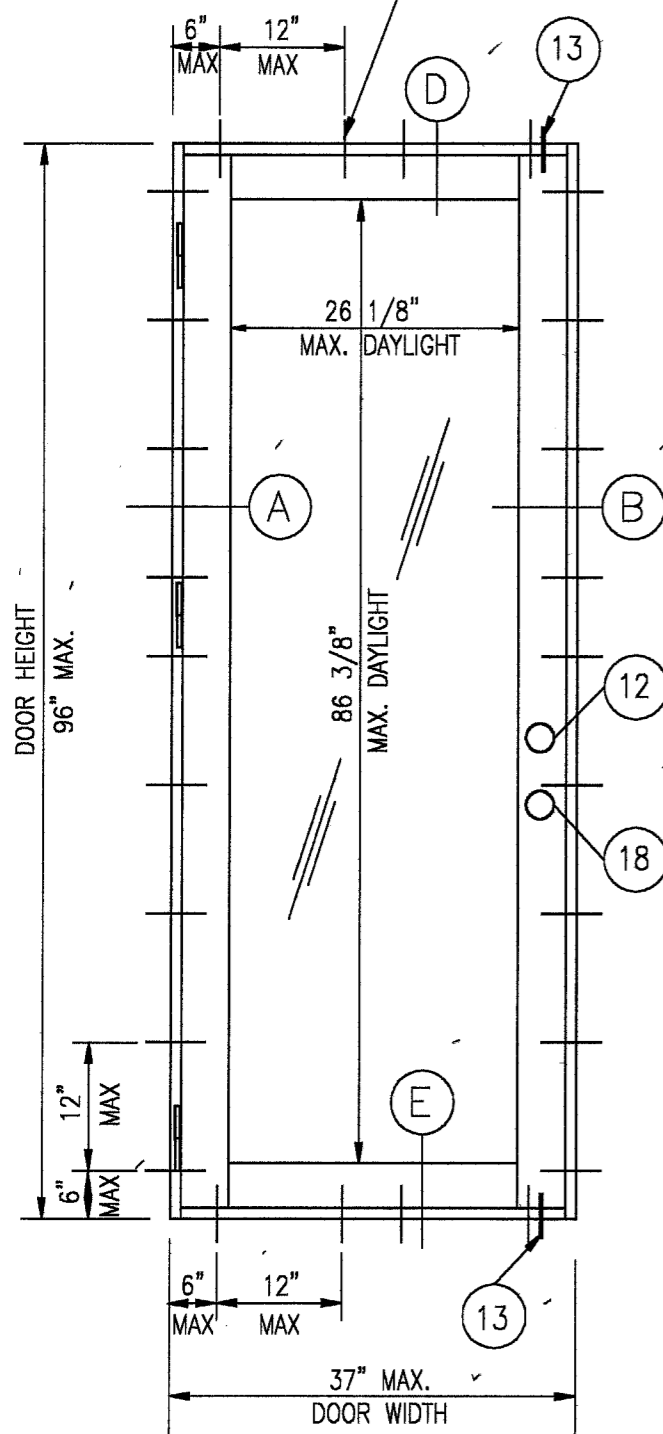
1. No Interest Letter issued by Francisco Hernandez PE, PA., on 11/14/02. signed and sealed by F. Hernandez, PE.
2. Code Compliance letter issued by Francisco Hernandez PE, PA, on 11/14/02 signed and sealed by F. Hernandez PE.
3. Test Compliance letter issued by Fenestration Testing Laboratory, Inc on 08/16/02 signed and sealed by J. Chan, PE.

F. OTHER



Candido F. Font, P.E.
Senior Product Control Examiner
NOA No 02-1104.03
Expiration Date: May 08, 2008
Approval Date: May 08, 2003

FOR ANCHOR OPTIONS SEE NOTE #1 THIS SHEET
FOR ADDITIONAL INFO REFER TO SECTIONS ON SHEETS
2 OF 3 AND 3 OF 3.



ELEVATIONS

DESIGN PRESSURES IN PSF			
DOOR LEAF WIDTH	DOOR HEIGHT	W/O SIDELITE	
		POS.	NEG.
3'-0"	8'-0"	70.0	70.0
2'-6"		70.0	70.0
3'-0"	6'-8"	70.0	70.0
2'-6"		70.0	70.0

NOTES:

- ANCHOR OPTIONS
1/4" ELCO TAPCONS WITH 1 1/2" MIN. EMBEDMENT INTO CONCRETE BLOCK OR #14 S.M.S. WITH 1 1/2" MIN. EMBEDMENT INTO 2BY WOOD BUCK OR #14 S.M.S. X 1 1/2" IN METAL
- FLUSH BOLTS.
ALL DOOR FLUSH BOLTS SHALL BE ENGAGED IN ORDER TO ACHIEVE DESIGN PRESSURES ABOVE
- GLAZING.
5/16" OVERALL LAMINATED GLASS MADE UP TWO LITES OF 1/8" HEAT STR. GLASS WITH A 0.090" INNER LAYER FILM SAFLEX-KEEPSAFE MAXIMUM BY SOLUTIA INC. N.O.A #01-0205.02
GLAZING PENETRATION 0.533"
- COLONIAL MUNTINS CAN BE APPLIED.
- FRAME CORNERS CONSIST OF BUTT JOINTS FASTENED WITH (2) #10 X 1" PAN HEAD SHEET METAL SCREWS.
- SEALANT AROUND PERIMETER OF DEAD BOLT, HANDLE, STRIKE PLATES, FLUSH BOLTS, FRAME, PANEL, ETC.

Approved as complying with the
Florida Building Code
Date 03/08/03
NOA# 02-1104.03
Miami Dade Product Control
Division
By [Signature]

[Signature]
4-29-03
FRANCISCO HERNANDEZ
FL PE # 51393

Sunshine Windows
Manufacturing, Inc.

1745 W. 33rd Place
Hialeah, Florida 33012
Ph: (305)364-9952
Fax: (305)828-5118

FRANCISCO HERNANDEZ P. E.
Structural Engineering
15113 SW 35 Terr.
Miami, Florida 33185
Phone (786) 683-2429
Fax (305) 266 3427

**SERIES 2001 ALUMINUM
FRENCH DOOR
IMPACT RESISTANT**

Drawn By: RF

Date: 9-16-02

Scale: NTS

Revision: _____

Revision: _____

DRAWING NO.
FDI-1

SHEET
1 OF 3

Sunshine Windows
Manufacturing, Inc.

1745 W. 33rd Place
Hialeah, Florida 33012
Ph: (305) 364-9952
Fax: (305) 828-5118

FRANCISCO HERNANDEZ P. E.
Structural Engineering
15113 SW 35 Terr.
Miami, Florida 33185
Phone (786) 683-2429



**SERIES 2001 ALUMINUM
FRENCH DOOR
IMPACT RESISTANT**

Drawn By: RF

Date: 9-16-02

Scale: 1/2" = 1"

Revision: _____

Revision: _____

DRAWING NO.
FDI-1

SHEET
2 OF 3

1BY OR 2BY WOOD BUCK BY OTHERS
SHALL WITHSTAND ALL GLAZING SYSTEM
LOADS (TYP FOR ALL WOOD BUCKS)

ANCHORS @6" FROM CORNERS AND THE REST
@12" O.C. MAX. FOR ANCHOR OPTIONS SEE
NOTE #1 ON SHEET 1 OF 3
(TYP FOR DOOR JAMBS)

CMU WALL

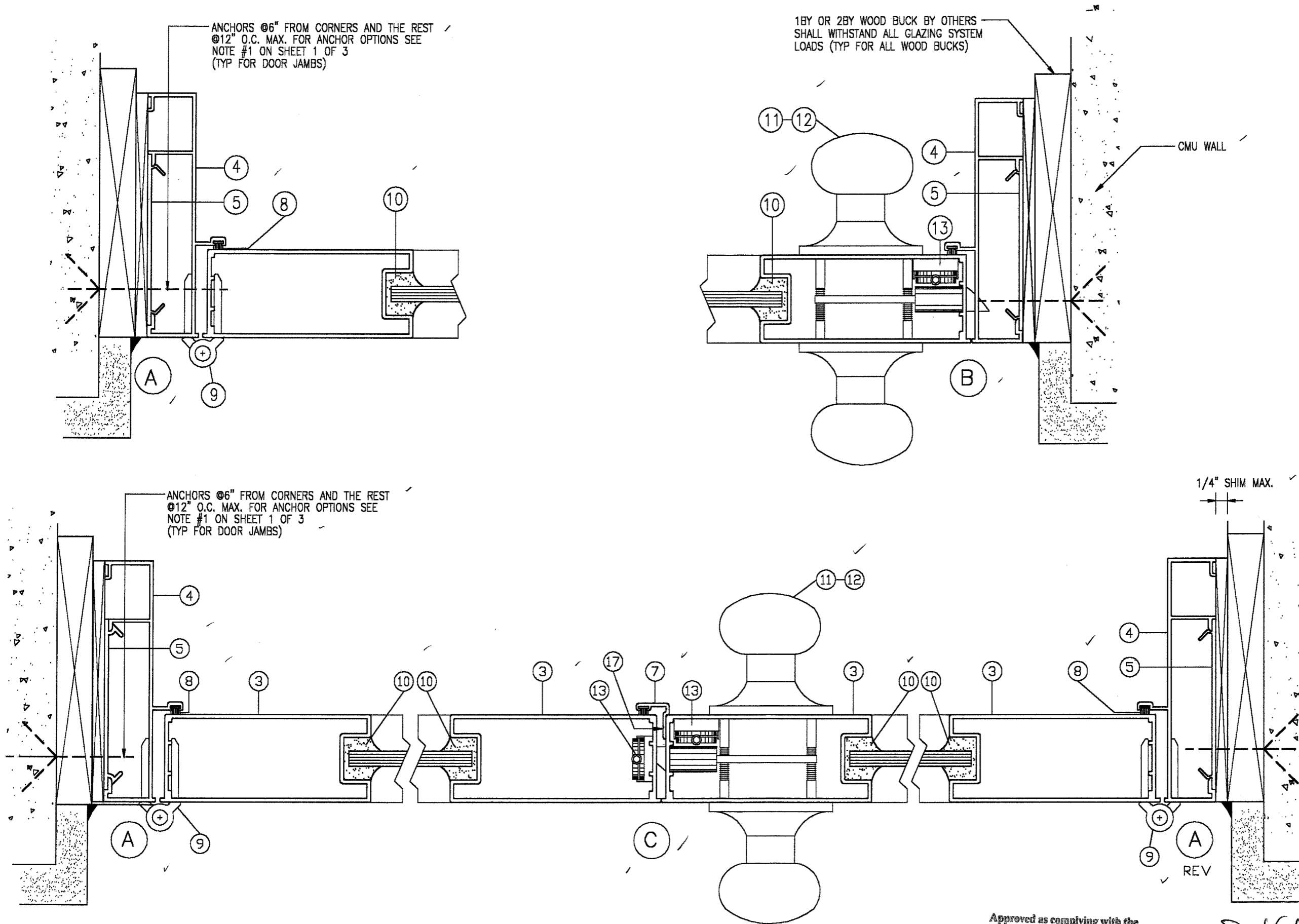
1/4" SHIM MAX.

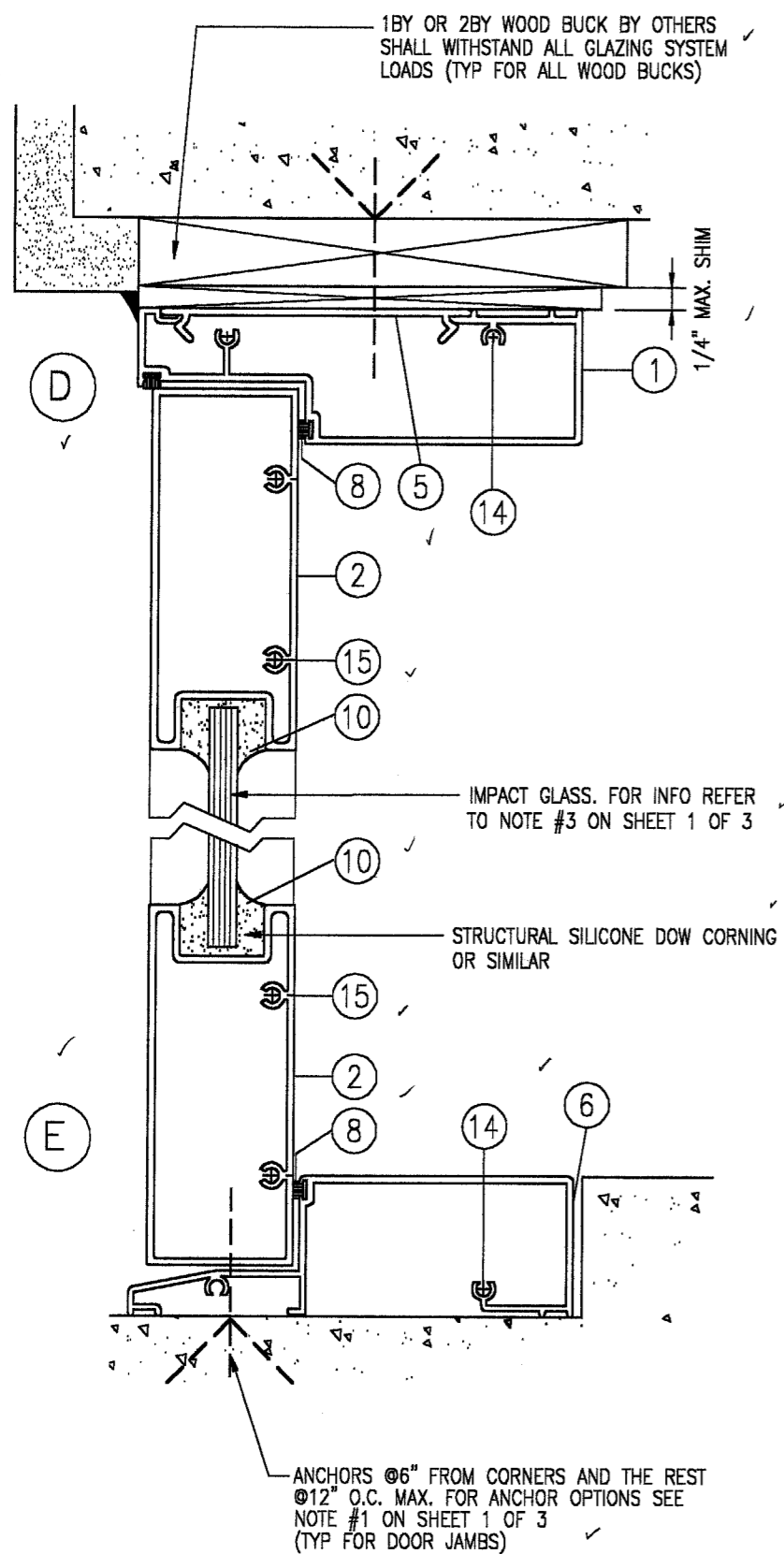
ANCHORS @6" FROM CORNERS AND THE REST
@12" O.C. MAX. FOR ANCHOR OPTIONS SEE
NOTE #1 ON SHEET 1 OF 3
(TYP FOR DOOR JAMBS)

HORIZONTAL SECTIONS

Approved as complying with the
Florida Building Code
Date 05/06/03
NOA# 02-1104.03
Miami Dade Product Control
Division
By

4-29-03
FRANCISCO HERNANDEZ
FL. PE # 51393

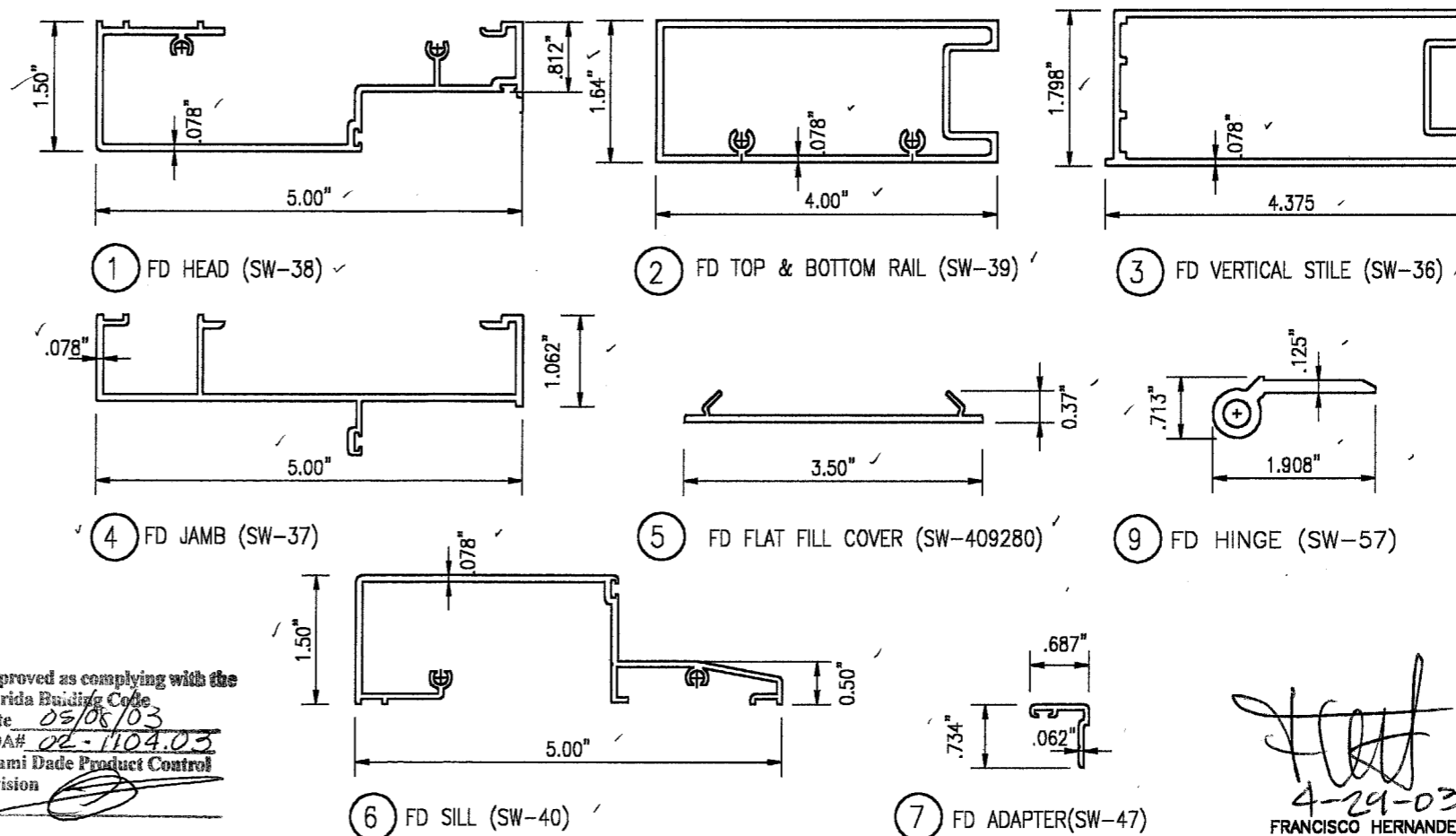




VERTICAL SECTIONS

MATERIAL LIST

ITEM #	PART #	REQD.	DESCRIPTION	MATERIAL
1	SW-38	1	FRENCH DOOR HEAD	6063-T6
2	SW-39	4	FRENCH DOOR TOP AND BOTTOM RAIL	6063-T6
3	SW-36	4	FRENCH DOOR VERTICAL STILE	6063-T6
4	SW-37	2	FRENCH DOOR JAMB	6063-T6
5	SW-40928	(4") 1 PER ANCHOR	FLAT FILL COVER	6063-T5
6	SW-40	1	FRENCH DOOR SILL (MILL FINISH)	6063-T6
7	SW-47	1	FRENCH DOOR ADAPTER	6063-T5
8	SW-3332	AS REQ'D	FIN PILE WEATHER STRIP (VYNIL BULB)	POLYPROPYLENE
9	SW-57	3 PER LEAF	8" BUTT HINGE	6063 T5
10	SILICONE	AS REQ'D	DC 995/PECORA 895	SILICONE
11	SW-L1	1	LOCK (LATCH)	METAL
12	SW-L2	1	YALE NEW TRADITIONS' 800 SERIES DEAD BOLT LOCK, KEY OPERATED ON THE EXTERIOR AND THUMB TURN ON THE INTERIOR	METAL
13	SW-FB	2 PER LEAF	SERIES 2510 CONCEALED FLUSH BOLT BY REGENT	METAL
14	SCREWS	AS-REQ'D	# 10 X 1"	SMS
15	SCREWS	AS-REQ'D	# 10 X 1 1/2"	SMS
16	SW-30	AS-REQ'D	APPLIED PERIMETER TRIM	6063-T5
17	SCREWS	AS-REQ'D	# 8 X 1/2"	SMS
18	SW-H	1	SURFACE MOUNT HANDLE	METAL



Approved as complying with the Florida Building Code
 Date 05/06/03
 NOA# 02-1104.03
 Miami Dade Product Control Division
 By [Signature]

[Signature]
 4-29-03
 FRANCISCO HERNANDEZ
 FL. PE # 51393

Sunshine Windows Manufacturing, Inc.
 1745 W. 33rd Place
 Hialeah, Florida 33012
 Ph: (305)364-9952
 Fax: (305)828-5118

FRANCISCO HERNANDEZ P. E.
 Structural Engineering
 15113 SW 35 Terr.
 Miami, Florida 33185
 Phone (786) 683-2429

**SERIES 2001 ALUMINUM
 FRENCH DOOR
 IMPACT RESISTANT**

Drawn By: RF
 Date: 9-16-02
 Scale: 1/2"=1"
 Revision: _____
 Revision: _____

DRAWING NO.
 FDI-1

SHEET
 3 OF 3