



**BUILDING CODE COMPLIANCE OFFICE (BCCO)  
PRODUCT CONTROL DIVISION**

**MIAMI-DADE COUNTY, FLORIDA  
METRO-DADE FLAGLER BUILDING  
140 WEST FLAGLER STREET, SUITE 1603  
MIAMI, FLORIDA 33130-1563  
(305) 375-2901 FAX (305) 375-2908**

**NOTICE OF ACCEPTANCE (NOA)**

**Sto Corporation.  
6175 Riverside Drive.  
Atlanta, GA 30331**

**SCOPE:** This NOA is being issued under the applicable rules and regulations governing the use of construction materials. The documentation submitted has been reviewed by Miami-Dade County Product Control Division and accepted by the Board of Rules and Appeals (BORA) to be used in Miami Dade County and other areas where allowed by the Authority Having Jurisdiction (AHJ).

This NOA shall not be valid after the expiration date stated below. The Miami-Dade County Product Control Division (In Miami Dade County) and/or the AHJ (in areas other than Miami Dade County) reserve the right to have this product or material tested for quality assurance purposes. If this product or material fails to perform in the accepted manner, the manufacturer will incur the expense of such testing and the AHJ may immediately revoke, modify, or suspend the use of such product or material within their jurisdiction. BORA reserves the right to revoke this acceptance, if it is determined by Miami-Dade County Product Control Division that this product or material fails to meet the requirements of the applicable building code.

This product is approved as described herein, and has been designed to comply with the High Velocity Hurricane Zone of the Florida Building Code.

**DESCRIPTION: Exterior Insulation and Finish Systems**

**APPROVAL DOCUMENT:** Drawing No. Sto SM-1, titled "Sto Class PB EIF System Small Missile Impact Resistance", sheets 1 through 3 of 3, prepared by Sto Corporation, dated 01/31/00 with no revisions, signed and sealed by A. C. Ivey, P.E., bearing the Miami-Dade County Product Control Renewal stamp with the Notice of Acceptance number and expiration date by the Miami-Dade County Product Control Division.

**MISSILE IMPACT RATING: Small Missile Impact**

**LABELING:** Each component package shall bear a permanent label with the manufacturer's name or logo, city, state and following statement: "Miami-Dade County Product Control Approved", unless otherwise noted herein.

**RENEWAL** of this NOA shall be considered after a renewal application has been filed and there has been no change in the applicable building code negatively affecting the performance of this product.


**TERMINATION** of this NOA will occur after the expiration date or if there has been a revision or change in the materials, use, and/or manufacture of the product or process. Misuse of this NOA as an endorsement of any product, for sales, advertising or any other purposes shall automatically terminate this NOA. Failure to comply with any section of this NOA shall be cause for termination and removal of NOA.

**ADVERTISEMENT:** The NOA number preceded by the words Miami-Dade County, Florida, and followed by the expiration date may be displayed in advertising literature. If any portion of the NOA is displayed, then it shall be done in its entirety.

**INSPECTION:** A copy of this entire NOA shall be provided to the user by the manufacturer or its distributors and shall be available for inspection at the job site at the request of the Building Official.

This NOA renews NOA # 00-0621.04 and consists of this page, evidence page as well as approval document mentioned above.

The submitted documentation was reviewed by **Candido F. Font, P.E.**

  
10/23/03



**NOA No 03-0829.07  
Expiration Date: September 14, 2008  
Approval Date: October 23, 2003  
Page 1**

Sto Corporation.

NOTICE OF ACCEPTANCE: EVIDENCE PAGE

**A DRAWING**

1. Drawing prepared by Sto Corporation, titled "Sto Class PB EIF System Small Missile Impact Resistance", drawing No Sto SM-1, sheets 1 through 3 of 3, dated 01/31/2000, with no revisions, signed and sealed by A. C. Ivey, PE. on 05/26/00.

**B TEST**

- 1 Test report on Small Missile Impact Test per PA 201, Cyclic Load Test per PA 203 and Uniform Static Air Load Test per PA 202 on "Sto Class PB EIF System for Small Missile Impact Resistance". Test report prepared by Certified Testing Laboratories, report # CTLA 470W-1, dated 02/11/00, signed and sealed by R. C. Patel, PE.

**C CALCULATIONS.**

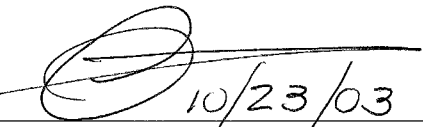
- 1 Appendix B, Anchorage Calculations by Cerny & Ivey Engineers, Inc., Appendix B, 52 sheets, signed and sealed by A. C. Ivey, PE.

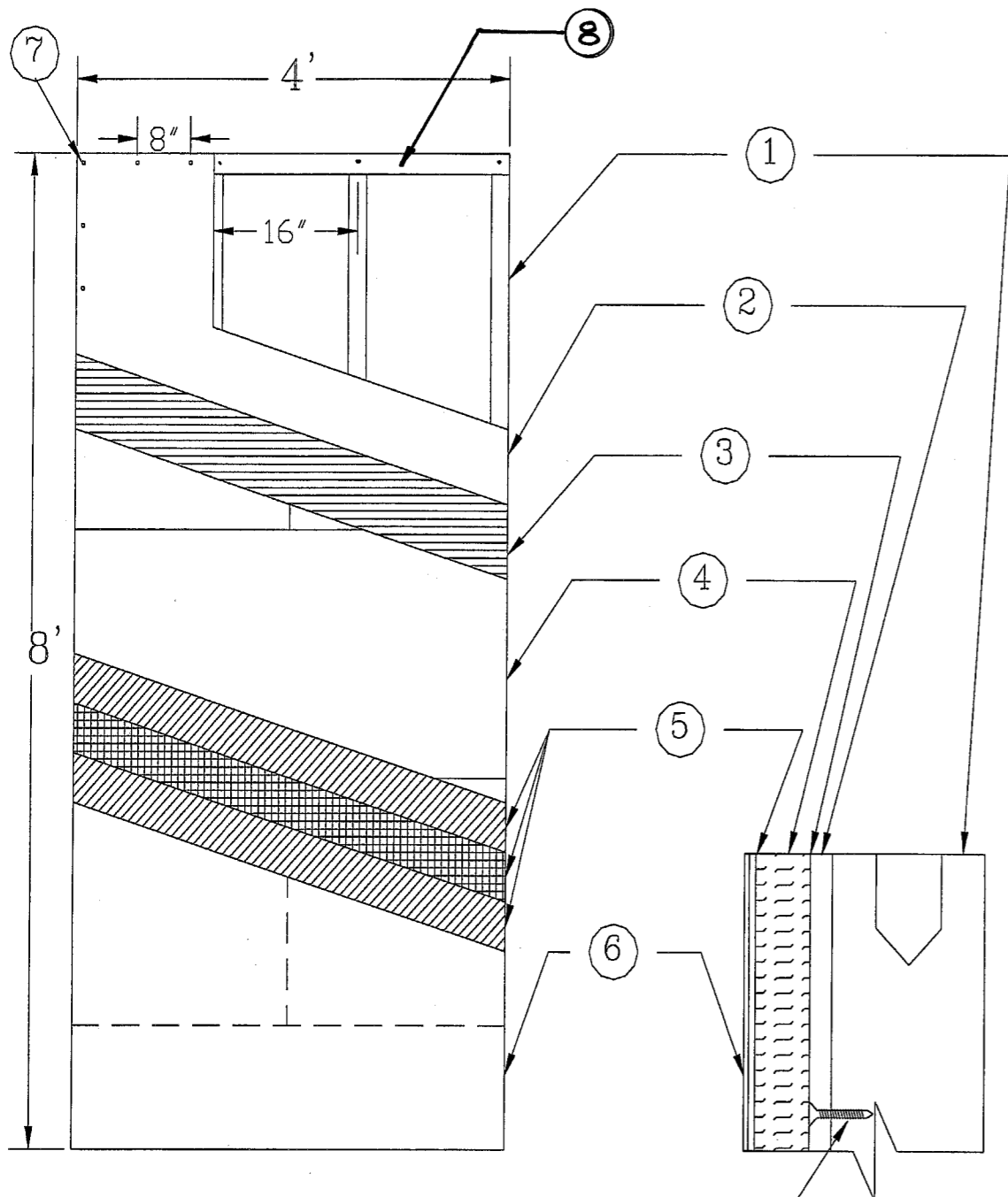
**D MATERIAL CERTIFICATION**

- 1 Product Control Notice of Acceptance No. 98-0904.04 issued to Apache Products Company on 11/26/98, expiring on 01/11/2002.

**E STATEMENTS.**

- 1 Code compliance letter issued by Cerny & Ivey Engineers, Inc. on 05/24/2000 signed and sealed by A. C. Ivey, PE.
- 2 No change letter issued by Sto Corporation on 08/22/03 and signed by T. E. Remmele.

  
10/23/03  
Candido F. Font, P.E.  
Senior Product Control Examiner  
NOA No 03-0829.07  
Expiration Date: September 14, 2008  
Approval Date: October 23, 2003



- KEY:**
1. 3-5/8" Steel Studs (18 ga) @ 16" O.C.
  2. 1/2" Exterior Grade Gypsum Sheathing ✓
  3. Sto BTS-Plus Adhesive
  4. EPS Board @ 3/4"
  5. Sto BTS-Plus & Sto Mesh Embedded
  6. Stolit Finish
  7. #8 x 1-1/4" drywall screws @ 8" o.c. field and perimeter
  8. U CHANNEL ON HEAD & SILL SECURED TO VERTICAL STUDS WITH 1/2" SHS INBOARD AND OUT BOARD.

**1.0 DESCRIPTION**

- 1.1 Substrates approved with the system
  - 1.1.1. Gypsum board over steel studs. Minimum 3-5/8" x 1 5/8" x 18 ga. Steel studs @ 16" o.c. with minimum 1/2" thick exterior grade gypsum sheathing (ASTM C-79) fastened to the steel studs with #8 x 1-1/4" drywall screws @ 8" o.c. field and perimeter.
  - 1.1.2. All substrate approved under this Notice of Acceptance shall be designed by a Florida Professional Engineer or Registered Architect according to the South Florida Building Code and the minimum standards established here. Provisions for diaphragm action are necessary for gypsum wall substrate and the deflection shall be limited to L/360 on all cases.
- 1.2 Components of the System
  - 1.2.1. Sto BTS-Plus Adhesive  
A polymer cement based adhesive and base coat available in 60 lb bags, mixed with clean water and applied to the substrate per the manufacturer's recommendation to form a 1/16" coat with a spray equipment or a stainless steel trowel.
  - 1.2.2. Insulation Boards  
Apache minimum 3/4" thick EPS boards in compliance with ASTM C-578 type I and 1 lb/cf density as approved under Notice of Acceptance #98-0904.04. Sto BTS-Plus adhesive is applied uniformly in ribbons parallel to the long dimension to the back of the 3/4" thick Apache boards using a 1/2" x 1/2" stainless steel U notched trowel. The boards shall be placed, applying pressure in a running bond pattern with the long dimension horizontal and from a level base starting line. Butt all joints tightly to avoid thermal breaks. Adhesive should not get between joints. After the insulation boards cover the entire surface, fill voids with slivers of insulation. When the boards are firmly adhered to the substrate, rasp all irregularities to achieve a smooth surface. This application shall be allowed to dry completely before the next step.
  - 1.2.3. Sto Mesh  
A nominal 4.8 oz./sq. symmetrical, interlaced open-weave glass fabric made with minimum 25% by weight alkaline resistance coating for compatibility with Sto materials. Available in rolls 38" wide. Sto BTS-Plus is mixed again and applied by trowel to a uniform thickness of 1/8" to the face of the Apache boards. Work horizontally or vertically in strips of 40" and immediately embed the mesh into the wet base trowling from the center to the edge of the mesh. Overlap the mesh not less than 2-1/2", double lap all inside and outside corners 2-1/2" in all directions and backwrap mesh edges and sides. The mesh shall be fully embedded so the color does not show through the base coat and it shall be allowed to dry for 12 hours before applying the Stolit finish.
  - 1.2.4. Sto Stolit Finish  
A ready mix, acrylic based, textured wall coating. Stolit finish is mixed with a high speed electric mixer and applied and textured by trowel to a thickness of 1/16". Apply on a continuous application working from the wet toward the unfinished area.

**GENERAL NOTES:**

- 1) This system has been designed in accordance with the South Florida Building Code 1994 Edition and its latest supplement.
- 2) This system has been tested in accordance with the Dade County Protocol PA-201, PA-202 and PA-203 Small Missile Impact, Structural and Cyclic Testing.
- 3) This System shall be applied by a licensed plastering contractor following the recommendations of Sto Corp., this notice of acceptance and the applicable sections of the South Florida Building Code.
- 4) The engineer and/or architect of record for each project using this system shall size all stud framing to ensure conformance with stud deflection and stress limitations as required by governing codes and this document.
- 5) Insulation boards shall be placed in a running bond pattern.
- 6) All studs used with this system shall be completely sheathed at the interior flange or bridged at maximum every 5 ft. of stud length or as specified by stud manufacturer.
- 7) All Steel studs shall be structural with 1-5/8" min. flange width and have minimum yield strength of 33000 PSI.
- 8) Details on page No. 2 and 3 of 3 are typical and show intent to prevent water infiltration into and behind the system. Alternate details and specific conditions not covered by the typical details are the responsibility of the licensed design professional in consultation with Sto Corp.

PRODUCT RENEWED  
 as complying with the Florida  
 Building Code  
 Acceptance No. 03-0829.07  
 Expiration Date  
 By:   
 Mimi Dade Product Control  
 Division

**Design Pressure Rating**  
 +/- 65 PSF  
 SMALL MISSILE IMPACT RESISTANCE

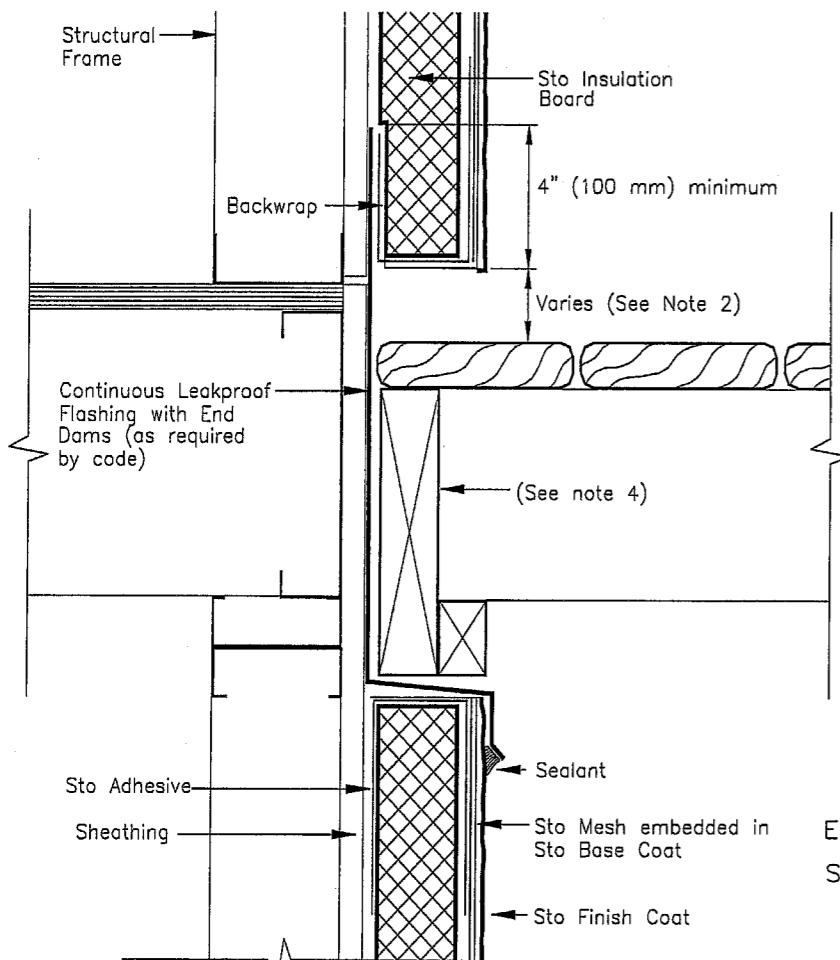
APPROVED AS COMPLYING WITH THE  
 SOUTH FLORIDA BUILDING CODE  
 DATE September 14, 2000  
 BY   
 PRODUCT CONTROL DIVISION  
 BUILDING CODE COMPLIANCE OFFICE  
 ACCEPTANCE NO. 00-0621.09

CERNY & IVEY ENGINEERS, INC.  
 CONSULTING ENGINEERS TESTING LABORATORY  
 5000 PEACHTREE PARKWAY, NORCROSS, GA 30092  
 17701-648-8888 • FAX 17701-288-1148

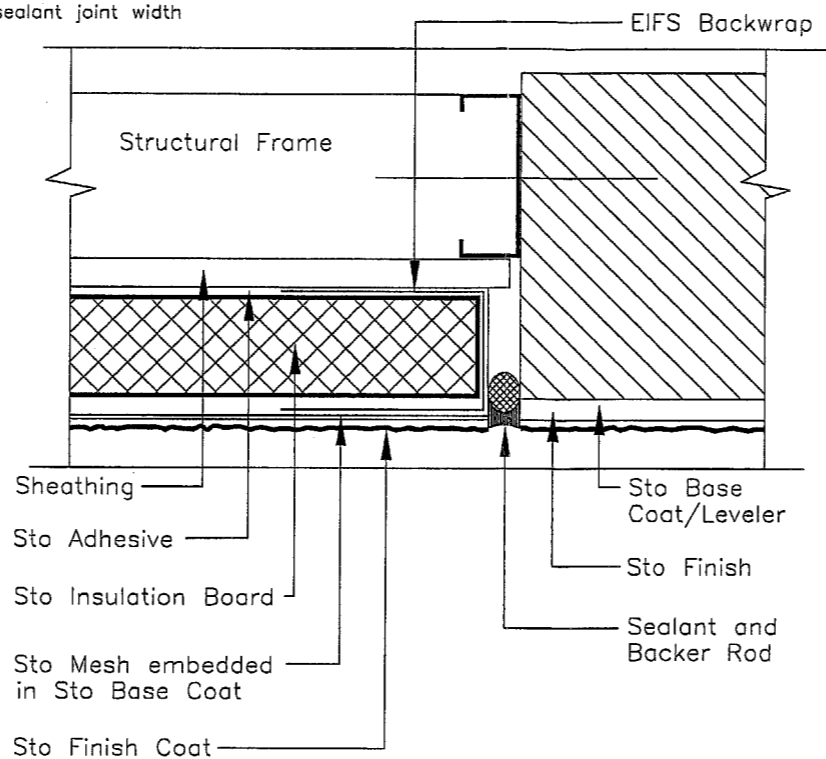
**Sto Corp.**  
 3800 Camp Creek Parkway  
 Building 1400, Suite 120  
 Atlanta, Ga. 30331  
 Sto Class PB  
 EIF System  
 Small Missile  
 Impact Resistance  
 Drawing no. Sto SM-1  
 Page No. 1 of 3  
 Date: 01/31/2000  
 Not to Scale

5/26/00

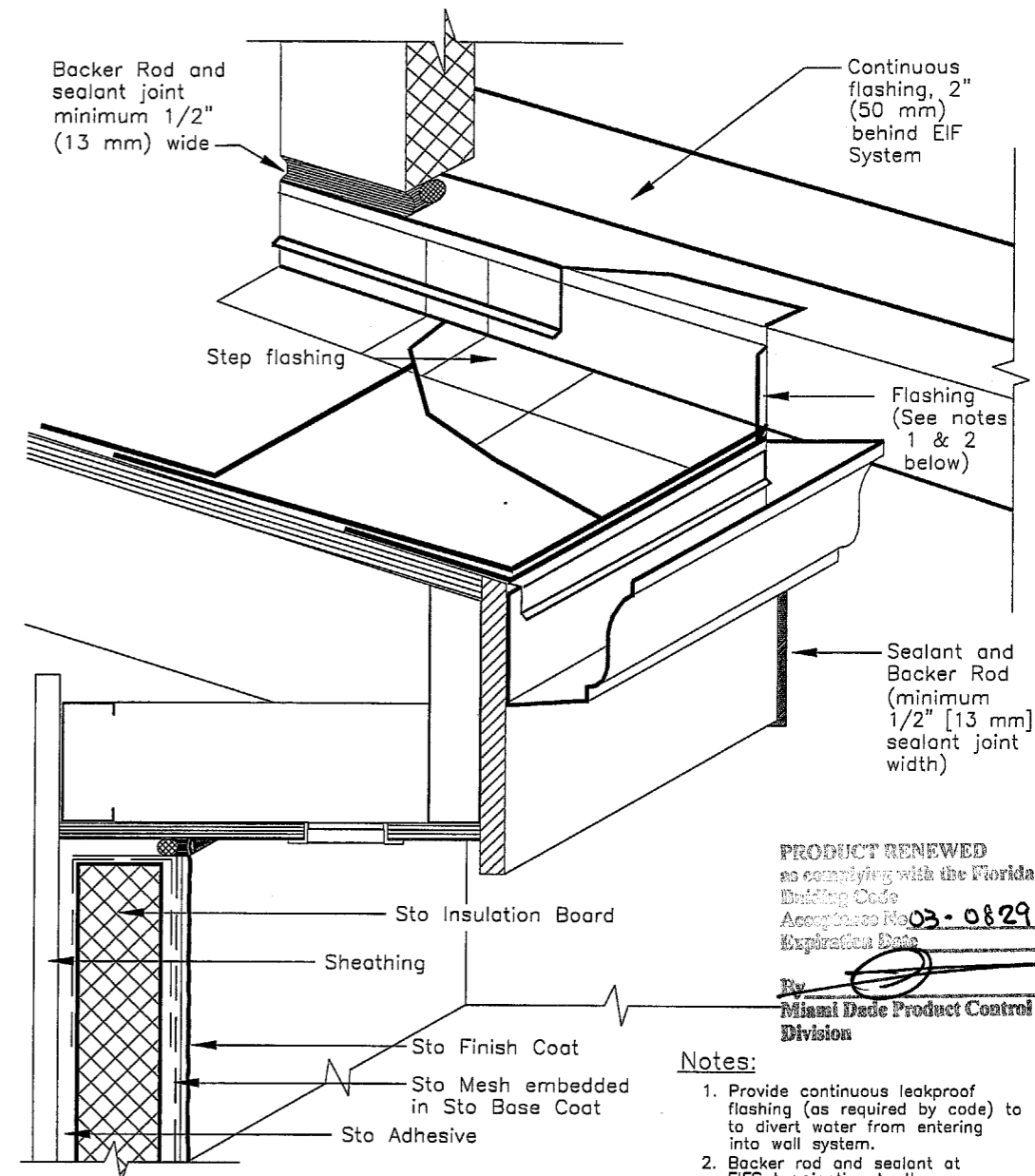
00-0621.04



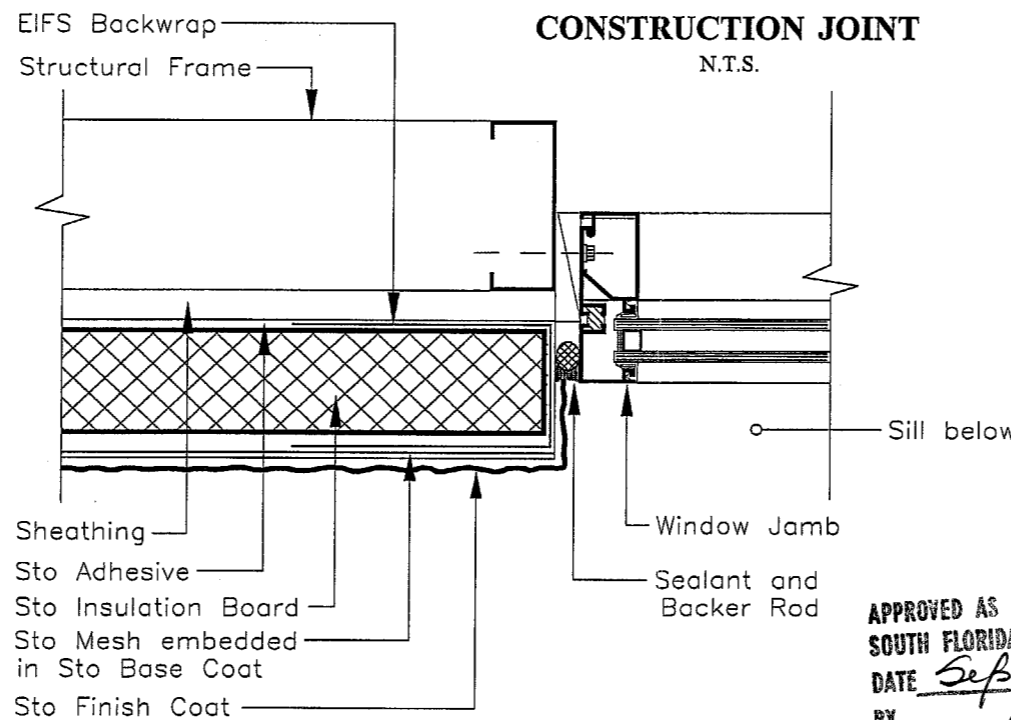
**Notes:**  
1. Provide minimum 3/4" (19 mm) sealant joint width



**CONSTRUCTION JOINT**  
N.T.S.



**OVERHANG**  
N.T.S.




**Notes:**  
1. Provide minimum 3/4" (19 mm) depth from back of insulation board to face of window frame for sufficient depth to install sealant.  
2. Provide minimum 1/2" (13 mm) sealant joint width.


**WINDOW JAMB**  
N.T.S.

**Notes:**  
1. Seal penetrations through flashing where attached to framing.  
2. Distance of EIFS to deck varies with climate. Allow sufficient distance to prevent snow/ice and puddling water against system.  
3. Provide end dams where flashings terminate at ends of deck.  
4. Pressure treated wood (space from flashing or rout backside to provide drainage).

**TERMINATION AT DECK**  
N.T.S.

PRODUCT RENEWED  
as complying with the Florida  
Building Code  
Acceptance No. 03-0829.07  
Expiration Date \_\_\_\_\_  
By   
Miami Dade Product Control  
Division

**Notes:**  
1. Provide continuous leakproof flashing (as required by code) to divert water from entering into wall system.  
2. Backer rod and sealant at EIFS termination to the diverter flashing to prevent water from penetrating behind EIFS.

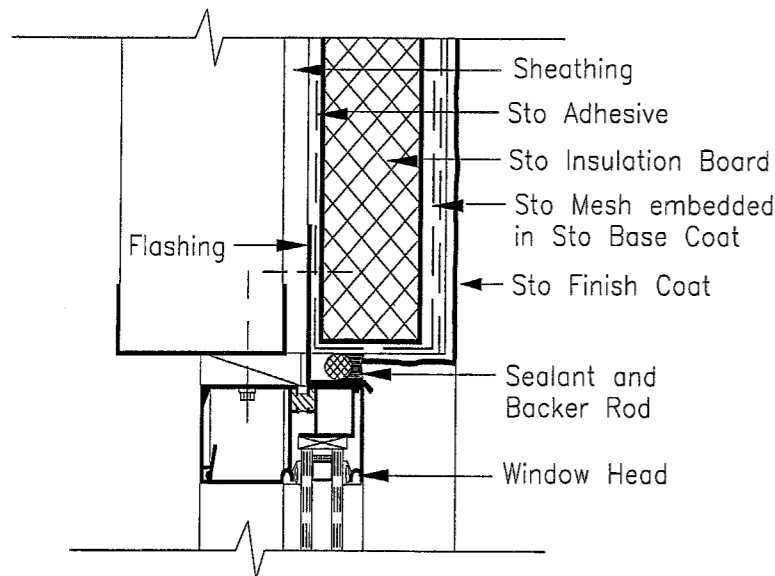
APPROVED AS COMPLYING WITH THE  
SOUTH FLORIDA BUILDING CODE  
DATE September 14, 2000  
BY   
PRODUCT CONTROL DIVISION  
BUILDING CODE COMPLIANCE OFFICE  
ACCEPTANCE NO. 00-0621.04

**TYPICAL DETAILS**

<p><b>Sto Corp.</b> 3800 Camp Creek Parkway Building 1400, Suite 120 Atlanta, Ga. 30331 Sto Class PB EIF System Small Missile Impact Resistance Drawing no. Sto SM-1 Page No. 2 of 3 Date: 01/31/2000 Not to Scale</p>
--

**GERRY & IVEY ENGINEERS, INC.**  
CONSULTING ENGINEERS TESTING LABORATORY  
5550 PRACHTREE PARKWAY, NORCROSS, GA 30052  
17701-648-2838 • FAX 17701-352-1162

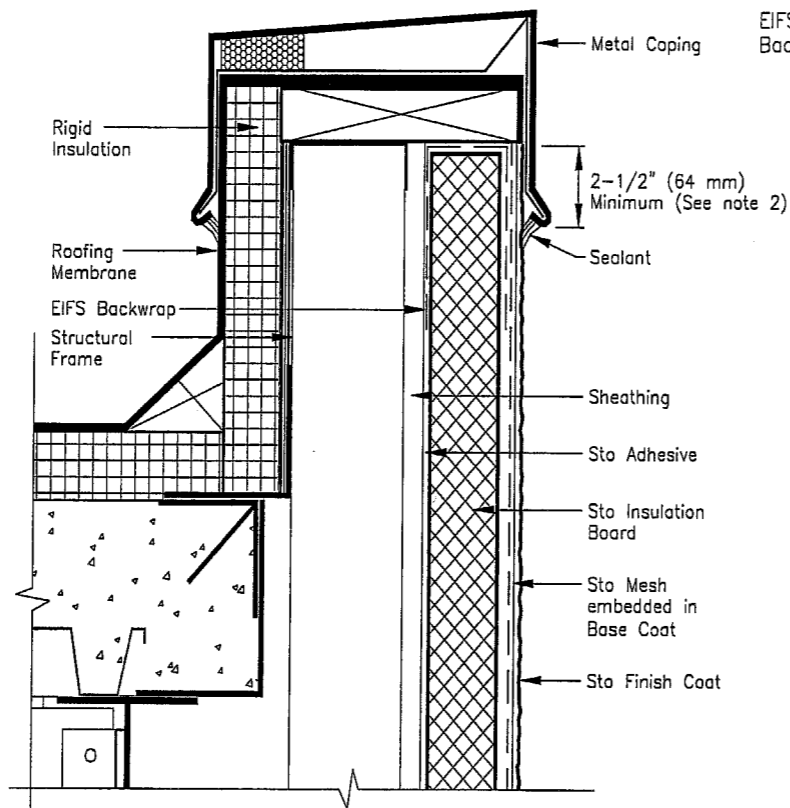
*Arthur Stoytzel/00*



**Notes:**

1. Provide minimum 3/4" (19 mm) depth from back of insulation board to face of window frame for sufficient depth to install sealant.
2. Provide minimum 1/2" (13 mm) sealant joint width.
3. Provide flashing as secondary barrier at sealant joint.

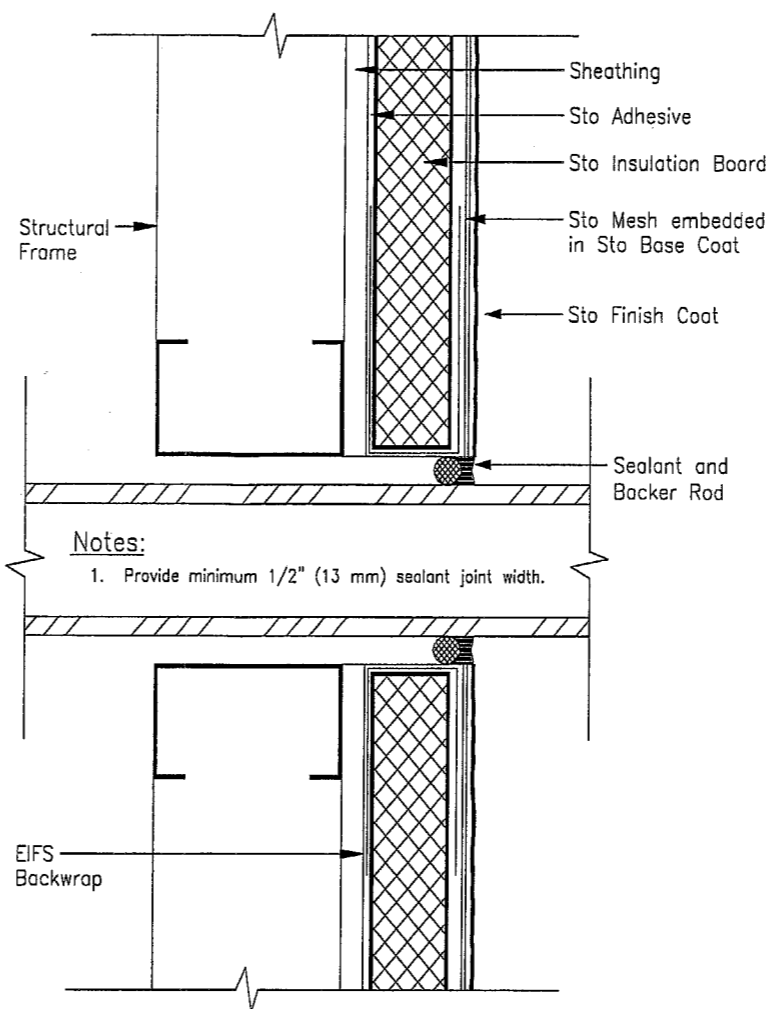
**WINDOW HEAD**  
N.T.S.



**Notes:**

1. Protect exposed EIF System at parapet from weather damage during construction until permanently protected with coping.
2. Extend dimension of coping overlap for multi-story construction/coastal regions to prevent wind driven rain from entering behind system.

**PARAPET**  
N.T.S.



**Notes:**

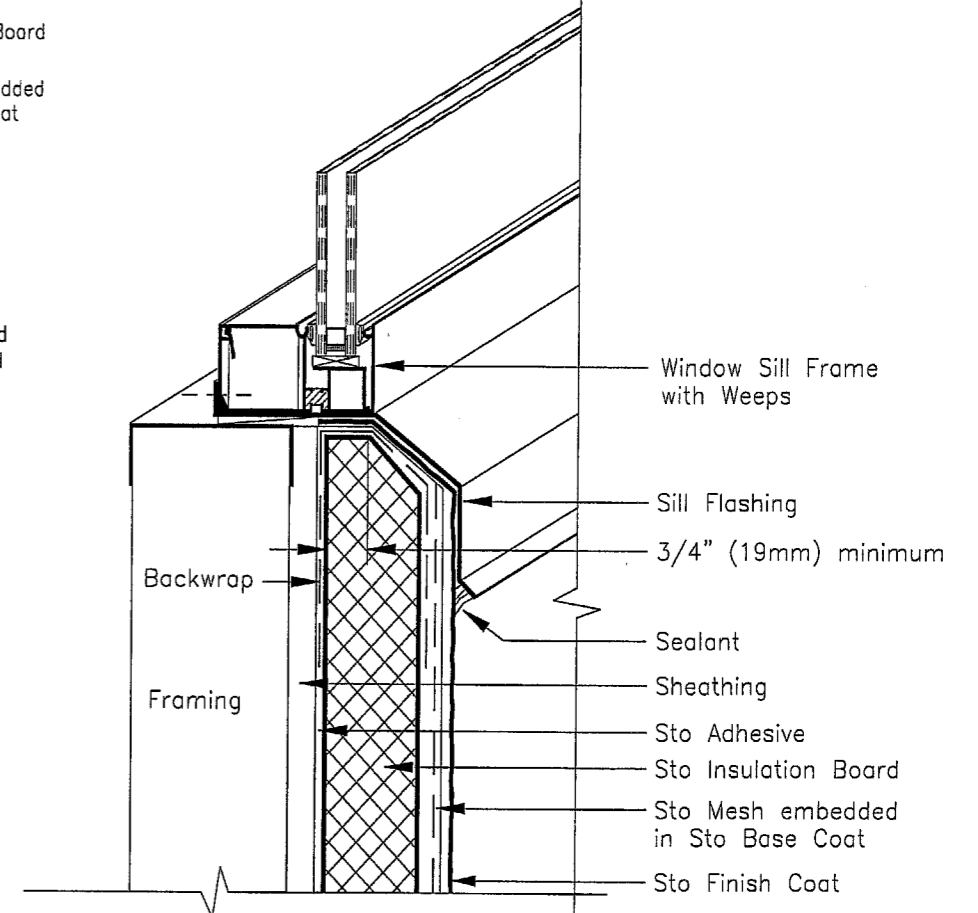
1. Provide minimum 1/2" (13 mm) sealant joint width.

**TERMINATION AT PENETRATION**  
N.T.S.

**TYPICAL DETAILS**

APPROVED AS COMPLYING WITH THE  
SOUTH FLORIDA BUILDING CODE  
DATE September 14, 2000  
BY [Signature]  
PRODUCT CONTROL DIVISION  
BUILDING CODE COMPLIANCE OFFICE  
ACCEPTANCE NO. 00-062104

**GERNY & IVEY ENGINEERS, INC.**  
CONSULTING ENGINEERS TESTING LABORATORY  
5250 PEACHTREE PARKWAY, NORCROSS, GA 30092  
17701-548-2028 • FAX 17701-282-1163



**Notes:**

1. Protect exposed EIF System at sill from weather damage during construction until permanently protected with sill and sealant.
2. Pan up and seal flashing @ jamb.

**WINDOW SILL**  
N.T.S.

PRODUCT RENEWED  
as compliant with the Florida  
Building Code  
Acceptance No. 03-0629.07  
Expiration Date \_\_\_\_\_  
By [Signature]  
Miami Dade Product Control  
Division

<p><i>Arthur Gley 5/20/00</i></p>	<p><b>Sto Corp.</b> 3800 Camp Creek Parkway Building 1400, Suite 120 Atlanta, Ga. 30331 Sto Class PB EIF System Small Missile Impact Resistance Drawing no. Sto SM-1 Page No. 3 of 3 Date: 01/31/2000 Not to Scale</p>
-----------------------------------	--