



**BUILDING CODE COMPLIANCE OFFICE (BCCO)
PRODUCT CONTROL DIVISION**

**MIAMI-DADE COUNTY, FLORIDA
METRO-DADE FLAGLER BUILDING
140 WEST FLAGLER STREET, SUITE 1603
MIAMI, FLORIDA 33130-1563
(305) 375-2901 FAX (305) 375-2908**

NOTICE OF ACCEPTANCE (NOA)

**Air Vent, Inc.
3000 West Commerce Street
Dallas, TX 75212**

SCOPE:

This NOA is being issued under the applicable rules and regulations governing the use of construction materials. The documentation submitted has been reviewed by the BCCO and accepted by the Building Code and Product Review Committee to be used in Miami Dade County and other areas where allowed by the Authority Having Jurisdiction (AHJ).

This NOA shall not be valid after the expiration date stated below. The BCCO (In Miami Dade County) and/or the AHJ (in areas other than Miami Dade County) reserve the right to have this product or material tested for quality assurance purposes. If this product or material fails to perform in the accepted manner, the manufacturer will incur the expense of such testing and the AHJ may immediately revoke, modify, or suspend the use of such product or material within their jurisdiction. BCCO reserves the right to revoke this acceptance, if it is determined by BCCO that this product or material fails to meet the requirements of the applicable building code.

This product is approved as described herein, and has been designed to comply with the Florida Building Code, including the High Velocity Hurricane Zone.

DESCRIPTION: Air Vents Venturi Plus

LABELING: Each unit shall bear a permanent label with the manufacturer's name or logo, city, state and following statement: "Miami-Dade County Product Control Approved", unless otherwise noted herein.

RENEWAL of this NOA shall be considered after a renewal application has been filed and there has been no change in the applicable building code negatively affecting the performance of this product.

TERMINATION of this NOA will occur after the expiration date or if there has been a revision or change in the materials, use, and/or manufacture of the product or process. Misuse of this NOA as an endorsement of any product, for sales, advertising or any other purposes shall automatically terminate this NOA. Failure to comply with any section of this NOA shall be cause for termination and removal of NOA.

ADVERTISEMENT: The NOA number preceded by the words Miami-Dade County, Florida, and followed by the expiration date may be displayed in advertising literature. If any portion of the NOA is displayed, then it shall be done in its entirety.

INSPECTION: A copy of this entire NOA shall be provided to the user by the manufacturer or its distributors and shall be available for inspection at the job site at the request of the Building Official.

This NOA revises NOA # 01-0910.04 and consists of pages 1 through 3.
The submitted documentation was reviewed by Frank Zuloaga, RRC



**NOA No.: 03-0930.10
Expiration Date: 04/05/06
Approval Date: 01/29/04
Page 1 of 3**

ROOFING ASSEMBLY APPROVAL

Category: Roofing
Sub-Category: Roof Ventilators
Materials: Plastic
Maximum Design Pressure N/A.
Fire Classification: N/A

TRADE NAMES OF PRODUCTS MANUFACTURED OR LABELED BY APPLICANT:

| <u>Product</u> | <u>Dimensions</u> | <u>Test Specification</u> | <u>Product Description</u> |
|---------------------------------|------------------------------|---------------------------|--------------------------------------------------------------------------------------------------------------------|
| VenturiVent Plus™ Ridge Vent | See detail drawing herein | TAS 100 | Copolymer plastic low profile attic ridge vent with an integral end plug for installation in shingle roof systems. |

EVIDENCE SUBMITTED:

| <u>Test Agency/Identifier</u> | <u>Name</u> | <u>Report</u> | <u>Date</u> |
|--------------------------------------|-----------------------------|---------------|-------------|
| Center for Applied Engineering, Inc. | TAS 100 Wind Driven Rain | 07-07-00-68 | 04/27/94 |

APPROVED APPLICATIONS:

Slot: Cut a minimum 1½" slot along the apex of the roof by cutting ¾" on each side of the ridge. The slot shall terminate approximately 6" from the rake edge.

Installation: Place ridge vent section centered over the void at one end of the ridge and insert end plugs. Fasten with roofing nails through nail holes in vent. Butt the second section to the first, align and fasten to roof. Continue this process from end to end.

Ridge Shingle: Install pre-manufactured or field cut ridge shingles over the ridge vent in compliance with the shingle manufacturers Product Control Approval and the installation instructions using 1¾" ring shank galvanized nails.

Net Free Area: Refer to manufacturers published literature

Minimum Slope: 2:12

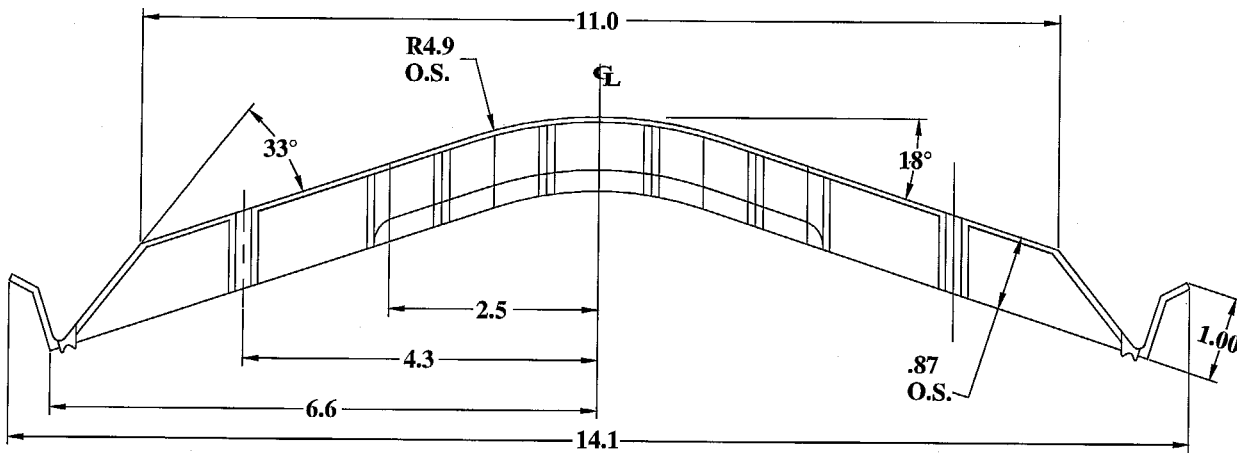


NOA No.: 03-0930.10
Expiration Date: 04/05/06
Approval Date: 01/29/04
Page 2 of 3

LIMITATIONS:

1. Refer to applicable building codes for required ventilation.
2. VenturiVent Plus™ Ridge Vent shall not be installed on roof mean heights greater than 33 feet.
3. All products listed herein shall have a quality assurance audit in accordance with the Florida Building Code and Rule 9B-72 of the Florida Administrative Code.

DETAIL



VENTURI VENT PLUS

END OF THIS ACCEPTANCE



NOA No.: 03-0930.10
Expiration Date: 04/05/06
Approval Date: 01/29/04
Page 3 of 3