



BUILDING CODE COMPLIANCE OFFICE (BCCO)  
PRODUCT CONTROL DIVISION

MIAMI-DADE COUNTY, FLORIDA  
METRO-DADE FLAGLER BUILDING  
140 WEST FLAGLER STREET, SUITE 1603  
MIAMI, FLORIDA 33130-1563  
(305) 375-2901 FAX (305) 375-2908

[www.buldingcodeonline.com](http://www.buldingcodeonline.com)

**NOTICE OF ACCEPTANCE (NOA)**

TRACO Security Windows & Doors, Inc.  
71 Progress Avenue  
Cranberry Township, PA 16066

**SCOPE:**

This NOA is being issued under the applicable rules and regulations governing the use of construction materials. The documentation submitted has been reviewed by Miami-Dade County Product Control Division and accepted by the Board of Rules and Appeals (BORA) to be used in Miami Dade County and other areas where allowed by the Authority Having Jurisdiction (AHJ).

This NOA shall not be valid after the expiration date stated below. The Miami-Dade County Product Control Division (In Miami Dade County) and/or the AHJ (in areas other than Miami Dade County) reserve the right to have this product or material tested for quality assurance purposes. If this product or material fails to perform in the accepted manner, the manufacturer will incur the expense of such testing and the AHJ may immediately revoke, modify, or suspend the use of such product or material within their jurisdiction. BORA reserves the right to revoke this acceptance, if it is determined by Miami-Dade County Product Control Division that this product or material fails to meet the requirements of the applicable building code.

This product is approved as described herein, and has been designed to comply with the Florida Building Code, including the High Velocity Hurricane Zone.

**DESCRIPTION: Series PW1250 Aluminum Fixed Window – L.M.I.**

**APPROVAL DOCUMENT:** Drawing No.06-TRA-0003, Sheets 1 through 3 of 3, titled "Series PW1250 Fixed Window," dated 11/30/06, prepared by Engineering Express, signed and sealed by Frank L. Bennardo, P.E., bearing the Miami-Dade County Product Control Revision stamp with the NOA number and expiration date by the Miami-Dade County Product Control Division.

**MISSILE IMPACT RATING: Large and Small Missile Impact Resistant**

**LABELING:** Each unit shall bear a permanent label with the manufacturer's name:

TRACO  
71 Progress Avenue  
Cranberry Township, PA 16066

TRACO  
2304 Silverdale Road  
Johnson City, TN 37601

Security (TRACO)  
5100 N.W. 72<sup>nd</sup> Avenue  
Miami, FL 33166

and the following statement: "**Miami-Dade County Product Control Approved**".

**RENEWAL** of this NOA shall be considered after a renewal application has been filed and there has been no change in the applicable building code negatively affecting the performance of this product.

**TERMINATION** of this NOA will occur after the expiration date or if there has been a revision or change in the materials, use, and/or manufacture of the product or process. Misuse of this NOA as an endorsement of any product, for sales, advertising or any other purposes shall automatically terminate this NOA. Failure to comply with any section of this NOA shall be cause for termination and removal of NOA.

**ADVERTISEMENT:** The NOA number preceded by the words Miami-Dade County, Florida, and followed by the expiration date may be displayed in advertising literature. If any portion of the NOA is displayed, then it shall be done in its entirety.

**INSPECTION:** A copy of this entire NOA shall be provided to the user by the manufacturer or its distributors and shall be available for inspection at the job site at the request of the Building Official. This NOA **revises and renews NOA # 01-0717.01** and consists of this page 1 and evidence pages E-1 and E-2, as well as approval document mentioned above.

The submitted documentation was reviewed by **Manuel Perez, P.E.**




NOA No 06-1211.08  
Expiration Date: February 21, 2012  
Approval Date: February 15, 2007  
Page 1

**TRACO Security Windows & Doors, Inc.**

**NOTICE OF ACCEPTANCE: EVIDENCE SUBMITTED**

- A. DRAWINGS**
1. Manufacturer's die drawings and sections.
  2. Drawing No **06-TRA-0003**, titled "Series PW1250 Fixed Window" Sheets 1 through 3 of 3, dated 11/30/06, prepared by Engineering Express, signed and sealed by Frank L. Bennardo, P.E.
- B. TESTS**
1. Test reports on 1) Air Infiltration Test, per SFBC PA 202-94.  
2) Uniform Static Air Pressure Test, Loading per SFBC PA 202-94.  
3) Water Resistance Test, per SFBC PA 202-94.  
4) Large Missile Impact Test, per SFBC PA 201-94.  
5) Cyclic Wind Pressure Loading Test, per SFBC PA 203-94  
along with marked-up drawings and installation diagram of Series 1250 aluminum fixed windows, prepared by Fenestration Testing Laboratory, Inc., Test Report No. **FTL-2757**, dated 11/07/00, signed and sealed by Antonio Acevedo, P.E.
- C. CALCULATIONS**
1. Anchor verification calculations and structural analysis, complying with FBC-2004, prepared by Engineering Express, dated 12/05/06, signed and sealed by Frank L. Bennardo P.E.  
**Complies with ASTM E1300-98**
- D. QUALITY ASSURANCE**
1. Miami Dade Building Code Compliance Office (BCCO).
- E. MATERIAL CERTIFICATIONS**
1. Notice of Acceptance No. **01-0205.02**, issued to Solutia, Inc. for their "Saflex IIIIG PVB Polyvinyl Butyral Interlayer", approved on 08/27/98 and expiring on 05/21/01.
- F. STATEMENTS**
1. Statement letter of conformance, dated December 5, 2006, signed and sealed by Frank L. Bennardo, P.E.
  2. Statement letter of no financial interest, dated December 5, 2006, signed and sealed by Frank L. Bennardo, P.E.
- G. OTHER**
1. Notice of Acceptance No. **01-0717.01**, issued to to Traco Windows & Doors, Inc., Series 1250 Aluminum Fixed Window, approved on 02/21/02 and expiring on 02/21/07.

  
Manuel Perez, P.E.  
Product Control Examiner  
NOA No 06-1211.08  
Expiration Date: February 21, 2012  
Approval Date: February 15, 2007

# SERIES PW1250 ALUMINUM FIXED WINDOW

## LARGE MISSILE IMPACT RESISTANT

FRANK L. BENNARDO, P.E.  
# PE0046549

12/05/2006

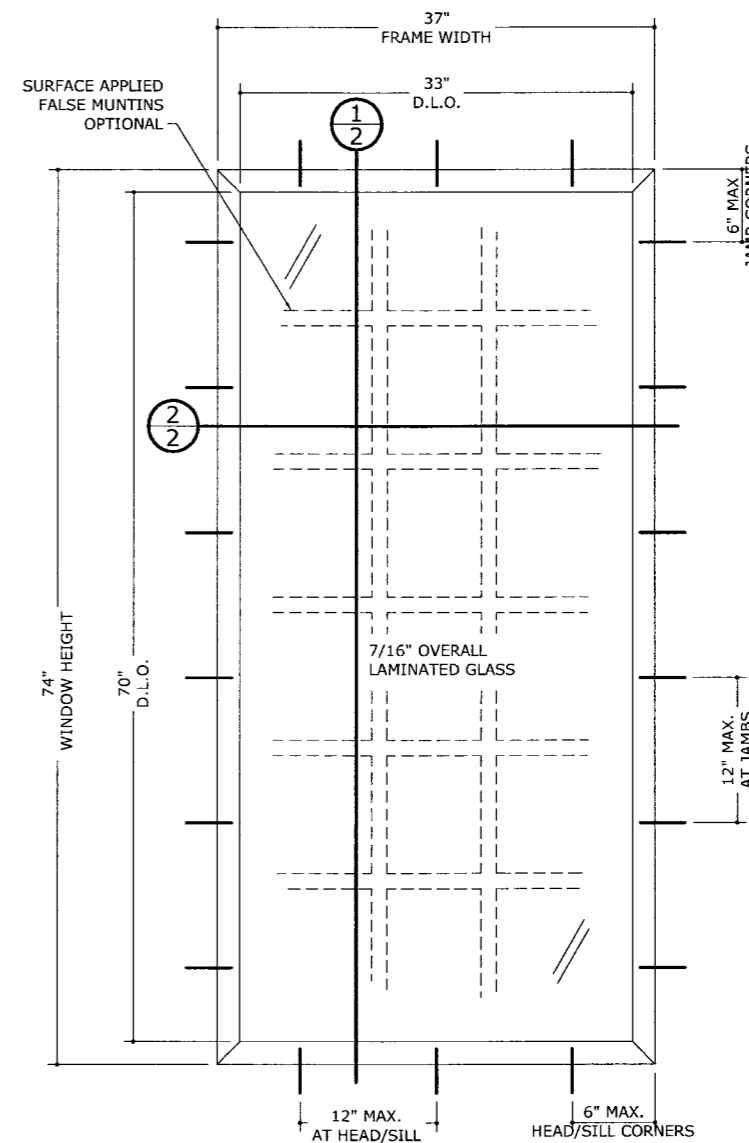
### DESIGN LOAD SCHEDULES

#### SCHEDULE "A"

FRAME HEIGHT	FRAME WIDTH	ANCHORS PER JAMB	ALLOWABLE PRESSURES	
			POSITIVE	NEGATIVE
26"	19 1/8"	3	80.0 psf	80.0 psf
	26 1/2"	3	80.0 psf	80.0 psf
	37"	3	80.0 psf	80.0 psf
38 3/8"	53 1/8"	3	74.6 psf	74.6 psf
	19 1/8"	4	80.0 psf	80.0 psf
	26 1/2"	4	80.0 psf	80.0 psf
50 5/8"	37"	4	80.0 psf	80.0 psf
	53 1/8"	4	67.4 psf	67.4 psf
	19 1/8"	5	80.0 psf	80.0 psf
63"	26 1/2"	5	80.0 psf	80.0 psf
	37"	5	80.0 psf	80.0 psf
	53 1/8"	5	58.5 psf	58.5 psf
74 1/4"	19 1/8"	6	80.0 psf	80.0 psf
	26 1/2"	6	80.0 psf	80.0 psf
	37"	6	80.0 psf	80.0 psf

#### SCHEDULE "B"

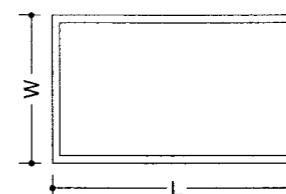
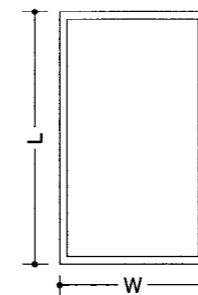
FRAME HEIGHT	FRAME WIDTH	ANCHORS PER JAMB	ALLOWABLE PRESSURES	
			POSITIVE	NEGATIVE
36"	24"	3	80.0 psf	80.0 psf
	30"	3	80.0 psf	80.0 psf
	36"	3	79.5 psf	79.5 psf
	42"	3	68.2 psf	68.2 psf
	48"	3	59.7 psf	59.7 psf
48"	54"	3	53.0 psf	53.0 psf
	60"	3	47.7 psf	47.7 psf
	66"	3	43.4 psf	43.4 psf
	72"	3	39.8 psf	39.8 psf
	24"	4	80.0 psf	80.0 psf
60"	30"	4	80.0 psf	80.0 psf
	36"	4	79.5 psf	79.5 psf
	42"	4	68.2 psf	68.2 psf
	48"	4	59.7 psf	59.7 psf
	54"	4	53.0 psf	53.0 psf
72"	24"	5	80.0 psf	80.0 psf
	30"	5	80.0 psf	80.0 psf
	36"	5	79.5 psf	79.5 psf
	42"	5	68.2 psf	68.2 psf
	48"	5	59.7 psf	59.7 psf
84"	24"	6	80.0 psf	80.0 psf
	30"	6	80.0 psf	80.0 psf
	36"	6	79.5 psf	79.5 psf
	42"	6	68.2 psf	68.2 psf
	48"	6	59.7 psf	59.7 psf
96"	24"	7	80.0 psf	80.0 psf
	30"	7	80.0 psf	80.0 psf
	36"	7	80.0 psf	80.0 psf
	42"	7	80.0 psf	80.0 psf
	48"	7	80.0 psf	80.0 psf
108"	24"	8	80.0 psf	80.0 psf
	24"	9	80.0 psf	80.0 psf



1 TYPICAL ELEVATION  
3/4" = 1'-0" TESTED UNIT

### GENERAL NOTES

1. THE SYSTEM DESCRIBED HEREIN HAS BEEN DESIGNED AND TESTED IN ACCORDANCE WITH THE 2004 FLORIDA BUILDING CODE, FOR USE WITHIN THE HIGH VELOCITY HURRICANE ZONE, PER TAS 201 / 202 / 203 & ASTM E1300-98 STANDARDS.
2. NO 33-1/3% INCREASE IN ALLOWABLE STRESS HAS BEEN USED IN THE DESIGN OF THIS SYSTEM. WIND LOAD DURATION FACTOR Cd=1.6 HAS BEEN USED FOR WOOD ANCHOR DESIGN.
3. POSITIVE AND NEGATIVE DESIGN PRESSURES CALCULATED FOR USE WITH THIS SYSTEM SHALL BE DETERMINED BY OTHERS ON A JOB-SPECIFIC BASIS IN ACCORDANCE WITH THE GOVERNING CODE.
4. THE SYSTEM DETAILED HEREIN IS GENERIC AND DOES NOT PROVIDE INFORMATION FOR A SPECIFIC SITE. FOR SITE CONDITIONS DIFFERENT FROM THE CONDITIONS DETAILED HEREIN, A LICENSED ENGINEER OR REGISTERED ARCHITECT SHALL PREPARE SITE SPECIFIC DOCUMENTS FOR USE IN CONJUNCTION WITH THIS DOCUMENT.
5. PERMIT HOLDER SHALL VERIFY THE ADEQUACY OF THE EXISTING STRUCTURE TO WITHSTAND SUPERIMPOSED LOADS. WOOD BUCKS (BY OTHERS) SHALL BE ANCHORED PROPERLY TO TRANSFER LOADS TO THE EXISTING STRUCTURE.
6. MULTIPLE UNITS MUST BE INSTALLED USING MIAMI-DADE COUNTY BCCO-APPROVED STRUCTURAL MULLIONS
7. ALL EXTRUSIONS SHALL BE 6063-T5 ALUMINUM ALLOY, UNLESS NOTED OTHERWISE.
8. UNITS GLAZED WITH 7/16" LAMINATED GLASS ARE LARGE MISSILE IMPACT RESISTANT AND DO NOT REQUIRE IMPACT RESISTANT SHUTTERS.
9. EXTERIOR SEAM OF FRAME CORNERS, INSTALLATION SCREWS, AND GLAZING BEAD ENDS SHALL BE SEALED WITH SILICONE.
10. ALL BOLTS & WASHERS SHALL BE ZINC COATED STEEL, GALVANIZED STEEL, OR STAINLESS STEEL WITH A MINIMUM TENSILE YIELD STRENGTH OF 60 KSI.
11. ALL STEEL IN CONTACT WITH ALUMINUM SHALL BE PAINTED OR PLATED.



NOTE:  
WIDTH AND LENGTH DIMENSIONS CAN BE ORIENTED VERTICALLY AS SHOWN ABOVE.

PRODUCT REVISED  
as complying with the Florida  
Building Code  
Acceptance No 06-1211-08  
Expiration Date FEB. 21, 2012  
By *Maurice Perry*  
Miami Dade Product Control  
Division

**ENGINEERING EXPRESS**  
160 SW 12th AVENUE, # 106  
DEERFIELD BEACH, FL 33442  
PH: (954) 354-0660 FAX: (954) 354-0443  
WWW.ENGEXP.COM  
CERT. OF AUTH. #8885  
A FRANK L. BENNARDO, P.E., INC. INNOVATION

**TRACO**  
71 Progress Avenue,  
Cranberry Township, PA 16166  
Tel. (724) 776-7000  
**Windows & Doors Inc.**  
SERIES PW1250 FIXED WINDOW  
LARGE MISSILE IMPACT RESISTANT  
MIAMI-DADE NOTICE OF ACCEPTANCE

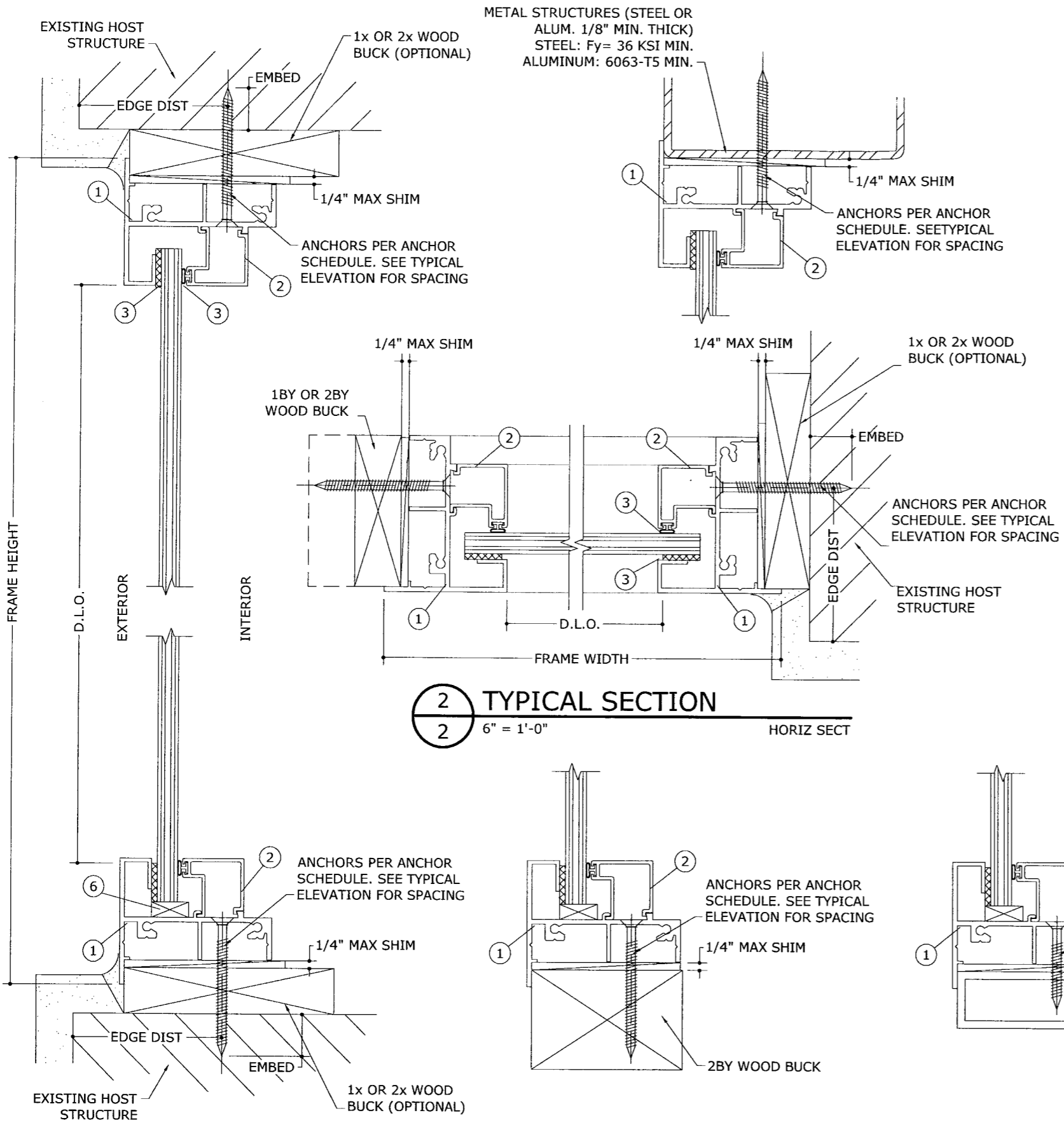
DATE	DRWN	CHKD	CL
11/30/06	JEM		

REMARKS  
INIT ISSUE

06-TRA-0003  
SCALE: 1/8" = 1'-0"  
PAGE DESCRIPTION:  
1

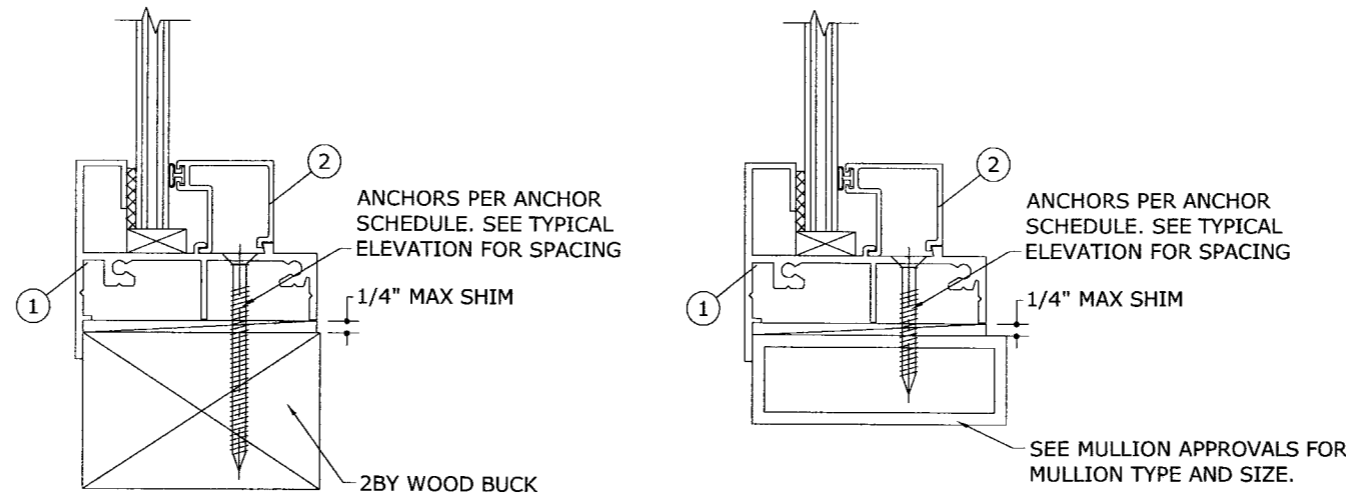
F:\01 Project Files\Traco (TRA)\2006 Jobs\06-TRA-0003 Series 1250 Fixed Window, LMI (NOA)\06-TRA-0003\_00b C1250 Aluminum Fixed Window, LMI (NOA).dwg 12/05/2006 - 4:33pm clangley

12/05/2006 - 4:33pm clangley F:\01 Project Files\Traco (TRA)\2006 Jobs\06-TRA-0003 Series 1250 Fixed Window, LMI (NOA)\06-TRA-0003\_00b C:1250 Aluminum Fixed Window, LMI (NOA).dwg



**1** TYPICAL SECTION  
 2 6" = 1'-0" VERT SECT

**2** TYPICAL SECTION  
 2 6" = 1'-0" HORIZ SECT



ANCHORS PER ANCHOR SCHEDULE. SEE TYPICAL ELEVATION FOR SPACING  
 1/4" MAX SHIM  
 SEE MULLION APPROVALS FOR MULLION TYPE AND SIZE.

ANCHORS PER ANCHOR SCHEDULE. SEE TYPICAL ELEVATION FOR SPACING  
 1/4" MAX SHIM

ANCHORS PER ANCHOR SCHEDULE. SEE TYPICAL ELEVATION FOR SPACING  
 1/4" MAX SHIM

**ANCHOR SCHEDULE:**

**THRU 1x WOOD BUCKS INTO MASONRY OR DIRECTLY INTO MASONRY**

- 5/16" TAPCONS (BY ELCO, ITW OR EQUIV. ANCHOR HOLDING CURRENT N.O.A.)

**INTO 2x WOOD BUCKS OR WOOD STRUCTURE**

- 5/16" TAPCONS WITH 1-3/8" MIN. WOOD PENETRATION.

**INTO MULLIONS OR METAL STRUCTURES**

- 5/16" METAL SCREWS

- ANCHOR NOTES:**
- SEE TYPICAL ELEVATION & DESIGN LOAD SCHEDULES FOR ANCHOR LOCATIONS AND/OR SPACING.
  - ANCHORS SHALL BE INSTALLED IN ACCORDANCE WITH MANUFACTURERS' RECOMMENDATIONS.
  - TAPCONS MAY BE MANUFACTURED BY ELCO OR ITW.
  - ENSURE MINIMUM 2-1/2" EDGE DISTANCE FOR ALL ANCHORS TO CONCRETE & TO HOLLOW BLOCK. EDGE DISTANCE OF 1/2" IS ACCEPTABLE FOR ANCHORS TO STEEL OR ALUMINUM.
  - WHERE ANCHORS FASTEN TO NARROW FACE OF STUD FRAMING, ANCHOR SHALL BE LOCATED IN CENTER OF NOMINAL 2x (MIN) WOOD STUD (i.e. 3/4" EDGE DISTANCE IS ACCEPTABLE FOR ANCHORS TO WOOD FRAMING).
  - WOOD HOST STRUCTURE SHALL BE "SOUTHERN PINE" G=0.55 OR GREATER DENSITY.
  - MINIMUM EMBEDMENT SHALL BE AS NOTED IN ANCHOR SCHEDULE. MINIMUM EMBEDMENT AND EDGE DISTANCE EXCLUDES STUCCO, FOAM, BRICK, AND OTHER WALL FINISHES.
  - WOOD BUCKS (BY OTHERS) SHALL BE ANCHORED PROPERLY TO TRANSFER LOADS TO THE EXISTING STRUCTURE.

METAL STRUCTURES (STEEL OR ALUM. 1/8" MIN. THICK)  
 STEEL: Fy= 36 KSI MIN.  
 ALUMINUM: 6063-T5 MIN.

FRANK L. BENNARDO, P.E.  
 #PE0046549  
 12/05/2006  
**EX ENGINEERING EXPRESS**  
 160 SW 12th AVENUE, #106  
 DEERFIELD BEACH, FL 33442  
 Ph: (954) 354-0660 Fax: (954) 354-0443  
 WWW.ENGEXP.COM  
 CERT. OF AUTH #9885  
 A FRANK L. BENNARDO, P.E., INC. INNOVATION

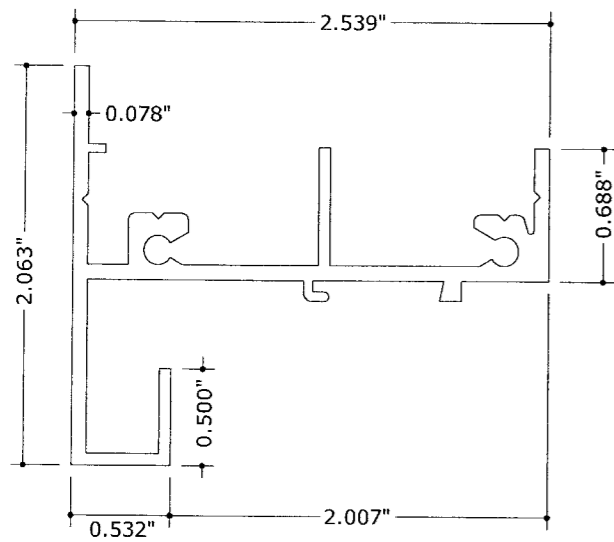
71 Progress Avenue,  
 Cranberry Township, PA 16166  
 Tel. (724) 776-7000  
**TRACO**  
 Windows & Doors Inc.  
 SERIES PW1250 FIXED WINDOW  
 LARGE MISSILE IMPACT RESISTANT  
 MIAMI-DADE NOTICE OF ACCEPTANCE

REMARKS	DRWN	CHKD	DATE
INIT ISSUE	JEM	CL	11/30/06

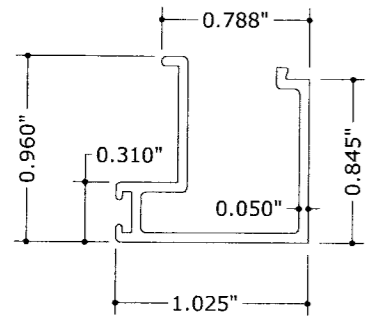
06-TRA-0003  
 SCALE: 1/8" = 1'-0"  
 PAGE DESCRIPTION:  
 2

PRODUCT REVISED  
 in compliance with the Florida  
 Building Code  
 Acceptance No. 06-1211-08  
 Expiration Date FEB. 21, 2012  
 Manuel Sery  
 Miami Dade Product Control  
 Division

12/05/2006 - 4:33pm clangley F:\01 Project Files\Traco (TRA)\2006 Jobs\06-TRA-0003 Series 1250 Fixed Window, LMI (NOA)\06-TRA-0003\_00b C1250 Aluminum Fixed Window, LMI (NOA).dwg



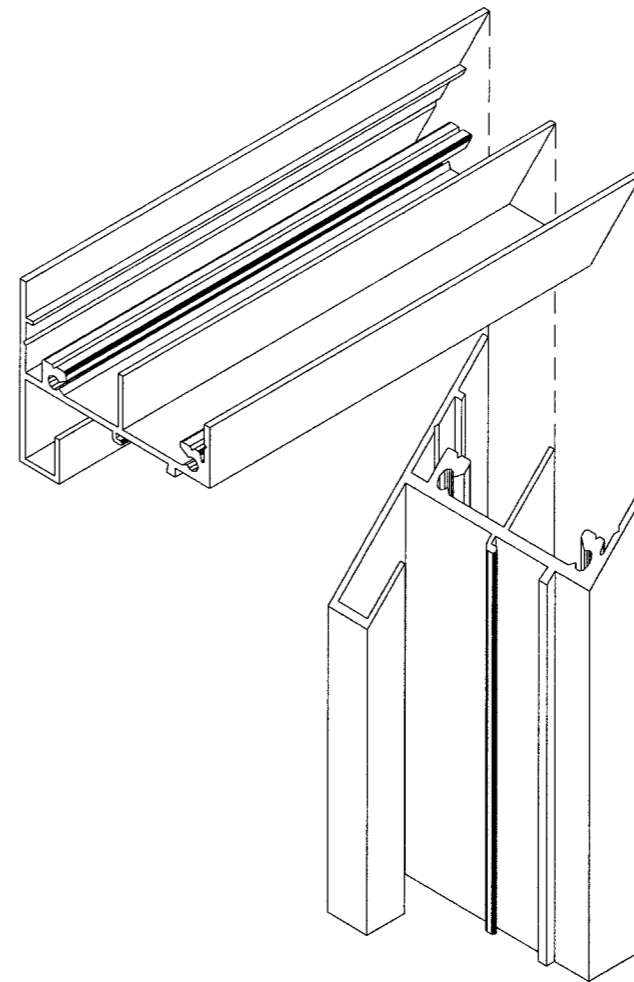
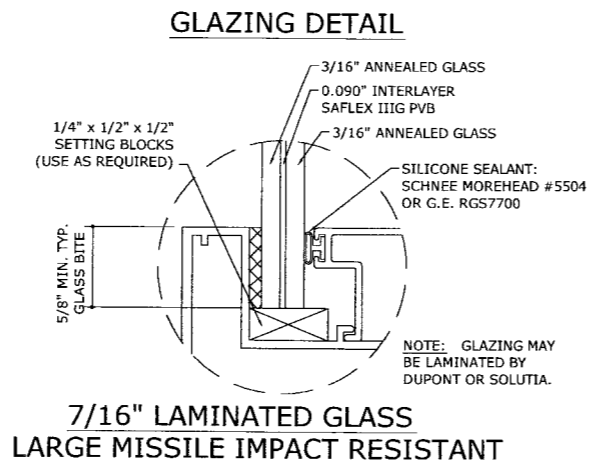
**1** FRAME  
1:1



**2** GLAZING BEAD  
1:1

### MATERIALS LIST

ITEM NO.	PART NUM	QUANTITY	DESCRIPTION	MATERIAL	MANF./SUPPLIER/REMARKS
1	050-746	4	WINDOW FRAME	ALUMINUM	6063-T5
2	050-704	4	GLAZING STOP	ALUMINUM	6063-T5
3	-	AS REQ'D	GLAZING SEALANT	SILICONE	-
4	-	AS REQ'D	SEALANT	-	SCHNEE-MOREHEAD #5504
5	#8 X 1"	2/CORNER	FRAME ASSEMBLY SCREWS	CRS	PH SMS
6	-	AS REQ'D	SETTING BLOCK (1/8" x 4")	VINYL	AT 18" FROM ENDS
7	-	AS REQ'D	GLAZING SEALANT	SILICONE	G.E. RGS7700



**TYPICAL CORNER DETAIL**  
MITERED JOINT CONSTRUCTION

**PRODUCT REVISED**  
to comply with the Florida  
Building Code  
Acceptance No. *06-1211-08*  
Expiration Date *FEB. 21, 2012*  
By *Manuel Perez*  
Miami Dade Product Control  
Division

FRANK L. BENNARDO, P.E.  
# PE0046549

*12/05/2006*

**EX ENGINEERING EXPRESS**  
160 SW 12th AVENUE, # 106  
DEERFIELD BEACH, FL 33442  
Ph: (954) 354-0660 Fax: (954) 354-0443  
WWW.ENGEXP.COM  
CERT. OF AUTH #8885  
A FRANK L. BENNARDO, P.E., INC., INNOVATION

71 Progress Avenue,  
Cranberry Township, PA 16166  
Tel. (724) 776-7000

**TRACO**  
Windows & Doors Inc.  
SERIES PW1250 FIXED WINDOW  
LARGE MISSILE IMPACT RESISTANT  
MIAMI-DADE NOTICE OF ACCEPTANCE

REMARKS	DRWN	CHKD	DATE
INIT ISSUE	JEM	CL	11/30/06

06-TRA-0003

SCALE: - 01  
PAGE DESCRIPTION: