



BUILDING CODE COMPLIANCE OFFICE (BCCO)  
PRODUCT CONTROL DIVISION

MIAMI-DADE COUNTY, FLORIDA  
METRO-DADE FLAGLER BUILDING  
140 WEST FLAGLER STREET, SUITE 1603  
MIAMI, FLORIDA 33130-1563  
(305) 375-2901 FAX (305) 375-2908

**NOTICE OF ACCEPTANCE (NOA)**

[www.buldingcodeonline.com](http://www.buldingcodeonline.com)

**Sunshine Windows Manufacturing, Inc.**  
1745 W. 33<sup>rd</sup> Place  
Hialeah, FL 33012

**SCOPE:**

This NOA is being issued under the applicable rules and regulations governing the use of construction materials. The documentation submitted has been reviewed by Miami-Dade County Product Control Division and accepted by the Board of Rules and Appeals (BORA) to be used in Miami Dade County and other areas where allowed by the Authority Having Jurisdiction (AHJ).

This NOA shall not be valid after the expiration date stated below. The Miami-Dade County Product Control Division (In Miami Dade County) and/or the AHJ (in areas other than Miami Dade County) reserve the right to have this product or material tested for quality assurance purposes. If this product or material fails to perform in the accepted manner, the manufacturer will incur the expense of such testing and the AHJ may immediately revoke, modify, or suspend the use of such product or material within their jurisdiction. BORA reserves the right to revoke this acceptance, if it is determined by Miami-Dade County Product Control Division that this product or material fails to meet the requirements of the applicable building code.

This product is approved as described herein, and has been designed to comply with the Florida Building Code, including the High Velocity Hurricane Zone.

**DESCRIPTION: Series 1650 "1/8" Annealed Glass" Aluminum Horizontal Sliding Window.**

**APPROVAL DOCUMENT:** Drawing No. **HS07-01**, titled "Series 1650 Aluminum Horizontal Sliding Window (XO) DSB Annealed Glass", sheets 1 through 3 of 3, dated 03/16/07, prepared by Francisco Hernandez, P.E. Structural Engineering, signed and sealed by Francisco Hernandez, P.E., bearing the Miami-Dade County Product Control Renewal stamp with the Notice of Acceptance number and expiration date by the Miami-Dade County Product Control Division.

**MISSILE IMPACT RATING: None.**

**LABELING:** Each unit shall bear a permanent label with the manufacturer's name or logo, city, state and following statement: "Miami-Dade County Product Control Approved", unless otherwise noted herein.

**RENEWAL** of this NOA shall be considered after a renewal application has been filed and there has been no change in the applicable building code negatively affecting the performance of this product.

**TERMINATION** of this NOA will occur after the expiration date or if there has been a revision or change in the materials, use, and/or manufacture of the product or process. Misuse of this NOA as an endorsement of any product, for sales, advertising or any other purposes shall automatically terminate this NOA. Failure to comply with any section of this NOA shall be cause for termination and removal of NOA.

**ADVERTISEMENT:** The NOA number preceded by the words Miami-Dade County, Florida, and followed by the expiration date may be displayed in advertising literature. If any portion of the NOA is displayed, then it shall be done in its entirety.

**INSPECTION:** A copy of this entire NOA shall be provided to the user by the manufacturer or its distributors and shall be available for inspection at the job site at the request of the Building Official.

This NOA **revises and renews** NOA # **02-0125.03** and consists of this page 1 and evidence page E-1, as well as approval document mentioned above.

The submitted documentation was reviewed by **Manuel Perez, P.E.**



NOA No. 07-0119.05  
Expiration Date: April 12, 2008  
Approval Date: April 12, 2007  
Page 1

**Sunshine Windows Manufacturing, Inc.**

**NOTICE OF ACCEPTANCE: EVIDENCE SUBMITTED**

**A. DRAWINGS**

1. Manufacturer's die drawings and sections.
2. Drawing No **HS07-01**, Sheets 1 through 3 of 3, titled "Series 1650 Aluminum Horizontal Sliding Window (XO) DSB Annealed Glass", dated 03/16/07, prepared by Francisco Hernandez, P.E. Structural Engineering, signed and sealed by Francisco Hernandez, P.E.

**B. TESTS**

1. Test reports on:
  - 1) Air Infiltration Test, per PA 202-94
  - 2) Uniform Static Air Pressure Test, per PA 202-94
  - 3) Water Resistance Test, per PA 202-94
  - 4) Forced Entry Test, per AAMA 1302.5-76along with installation diagram of an aluminum horizontal sliding window w/double strength glass, prepared by Fenestration Testing Laboratory, Inc. Test Report No. **FTL-1004** dated December 22, 1994 and reissued February 8, 1995, signed and sealed by Yamil G. Kuri, P.E. (*Submitted under previous NOA #02-0125.03*)

**C. CALCULATIONS**

1. Anchor verification calculations and structural analysis, complying with FBC-2004, dated 02/26/07, prepared by Francisco Hernandez Structural Engineering, signed and sealed by Francisco Hernandez, P.E.  
**Complies with ASTM E1300-98**

**D. QUALITY ASSURANCE**

1. Miami Dade Building Code Compliance Office (BCCO).

**E. MATERIAL CERTIFICATIONS**

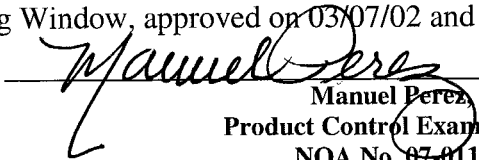
1. None.

**F. STATEMENTS**

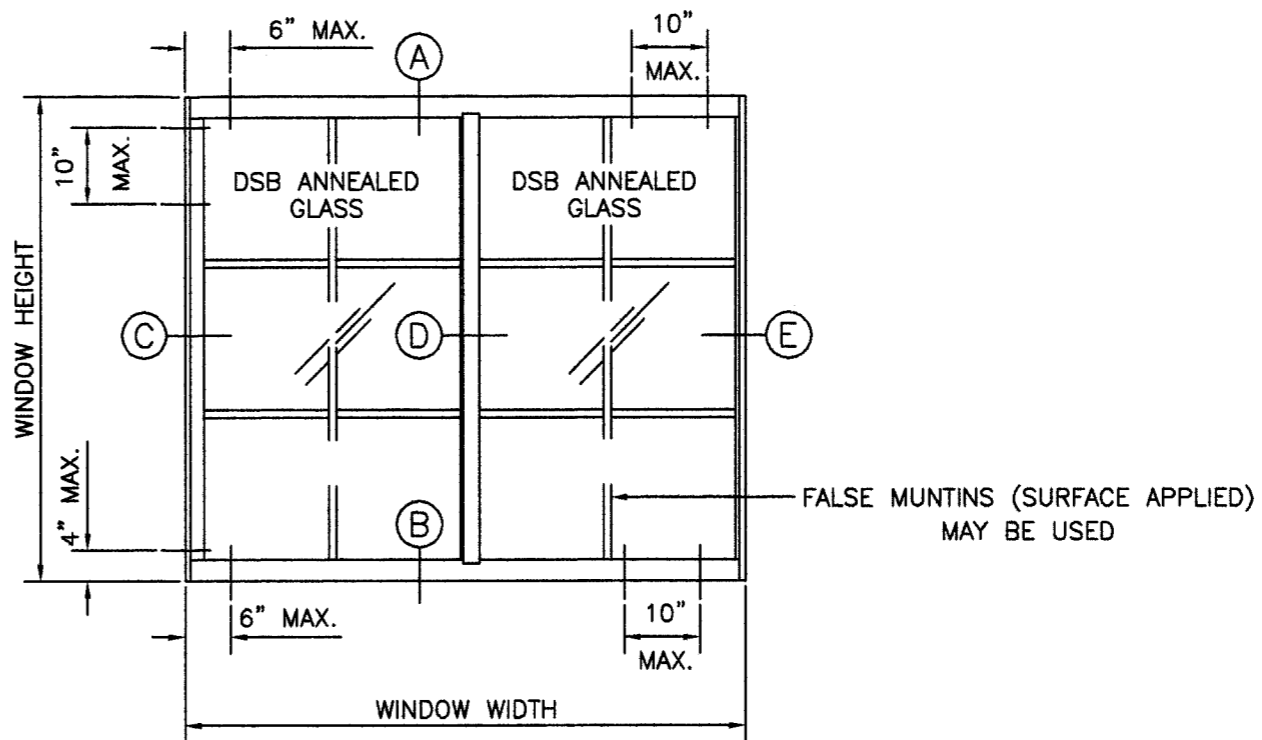
1. Statement letter of conformance, dated February 26, 2007, signed and sealed by Francisco Hernandez, P.E.
2. Statement letter from manufacturer stating that the product has not changed and requesting a One-Year Renewal to allow the time to perform a verification test, dated January 8, 2007, signed by Noel Martinez, Assistant Manager.
3. Letter from laboratory confirming manufacturer has contracted and scheduled verification tests, issued by Fenestration Testing Laboratory, Inc., dated 01/09/07, issued by Manny Sanchez, signed by Noel Martinez.

**G. OTHER**

1. Notice of Acceptance No. **02-0125.03**, issued to Sunshine Windows Manufacturing, Inc. for their Series "1650" Horizontal Sliding Window, approved on 03/07/02 and expiring on 02/28/07.

  
Manuel Perez, P.E.  
Product Control Examiner  
NOA No. 07-0119.05  
Expiration Date: April 12, 2008  
Approval Date: April 12, 2007

COMPARATIVE ANALYSIS CHART							
SERIES-1650 ALUMINUM HORIZONTAL SLIDING WINDOW (XO)							
DESIGN LOAD CAPACITY-PSF							
WINDOW DIMENSION		ANCHORS		1 3/4" SILL		2 1/2" SILL	
		PER HEAD & SILL	PER JAMB	EXT.	INT.	EXT.	INT.
WIDTH	HEIGHT						
STANDARD SIZES							
26 1/2"	26"	3	3	55.3	140.0	70.0	140.0
37"		4		55.3	140.0	70.0	140.0
53 1/8"		6		55.3	115.3	70.0	115.3
74"		8		55.3	80.1	70.0	80.1
26 1/2"	38 3/8"	3	5	55.3	140.0	70.0	140.0
37"		4		55.3	110.1	70.0	110.1
53 1/8"		6		55.3	72.8	70.0	72.8
74"		8		50.6	50.6	50.6	50.6
37"	50 5/8"	4	6	55.3	80.7	70.0	80.7
53 1/8"		6		53.4	53.4	53.4	53.4
74"		8		37.1	37.1	37.1	37.1
37"		4		55.3	63.6	63.6	63.6
53 1/8"	63"	6	7	42.0	42.0	42.0	42.0
74"		8		29.3	29.2	29.2	29.2
MODULAR SIZES							
24"	24"	3	3	55.3	140.0	70.0	140.0
36"		4		55.3	140.0	70.0	140.0
48"		5		55.3	140.0	70.0	140.0
60"		6		55.3	111.2	70.0	111.2
72"		7		55.3	91.1	70.0	91.1
24"	36"	3	4	55.3	140.0	70.0	140.0
36"		4		55.3	122.4	70.0	122.4
48"		5		55.3	87.8	70.0	87.8
60"		6		55.3	68.5	68.5	68.5
72"		7		55.3	56.1	56.1	56.1
36"	48"	4	5	55.3	88.4	70.0	88.4
48"		5		55.3	63.5	63.5	63.5
60"		6		49.5	49.5	49.5	49.5
72"		7		40.6	40.6	40.6	40.6
36"		60"		4	7	55.3	69.2
48"	5		49.7	49.7		49.7	49.7
60"	6		38.7	38.7		38.7	38.7
72"	7		31.7	31.7		31.7	31.7



TYPICAL ELEVATION (XO)

**NOTE:**

1.-FASTENERS MUST HAVE THEIR OWN NOTICE OF ACCEPTANCE AND MUST BE MADE OF STAINLESS STEEL OR HAVE ADEQUATE PROTECTION AGAINST CORROSION, PER DIN 50018. ALUMINUM CONTACTING METALS NOT CONSIDERED COMPATIBLE SHALL BE PROPERLY PROTECTED.

**MIAMI-DADE IMPACT RESISTANT SHUTTERS REQUIRED**

BASED ON FTL-1004 DATED 12-22-94  
 TEST SIZE= 74" X 63" (XO)  
 TEST LOADS= EXTERIOR PRESSURE +68.2 PSF  
 INTERIOR PRESSURE -83.1 PSF  
 DESIGN LOADS= EXTERIOR PRESSURE +45.4 PSF  
 INTERIOR PRESSURE -55.4 PSF  
 WATER INFILTRATION TEST= 8.3 AND 10.5 PSF  
 TESTED GLASS= DSB ANNEALED

**PRODUCT RENEWED**  
 as complying with the Florida  
 Building Code  
 Acceptance No. 07-0119-05  
 Expiration Date 04/12/08  
 By Manuel Perez  
 Miami Dade Product Control  
 Division

*[Signature]*  
 3-16-07  
 FRANCISCO HERNANDEZ  
 FLORIDA PE # 51393

Sunshine Windows  
 Manufacturing, Inc.

1745 W. 33rd Place  
 Hialeah, Florida 33012  
 Ph: (305)364-9952  
 Fax: (305)828-5118

**FRANCISCO HERNANDEZ P. E.**  
 Structural Engineering  
 15113 SW 35 TERR  
 Miami, Florida 33185  
 Phone (305) 227 6901  
 Fax (305) 553 2224

**SERIES 1650 ALUMINUM  
 HORIZONTAL SLIDING WINDOW (XO)  
 DSB ANNEALED GLASS**

Drawn By: FH Jr

Date: 3-16-07

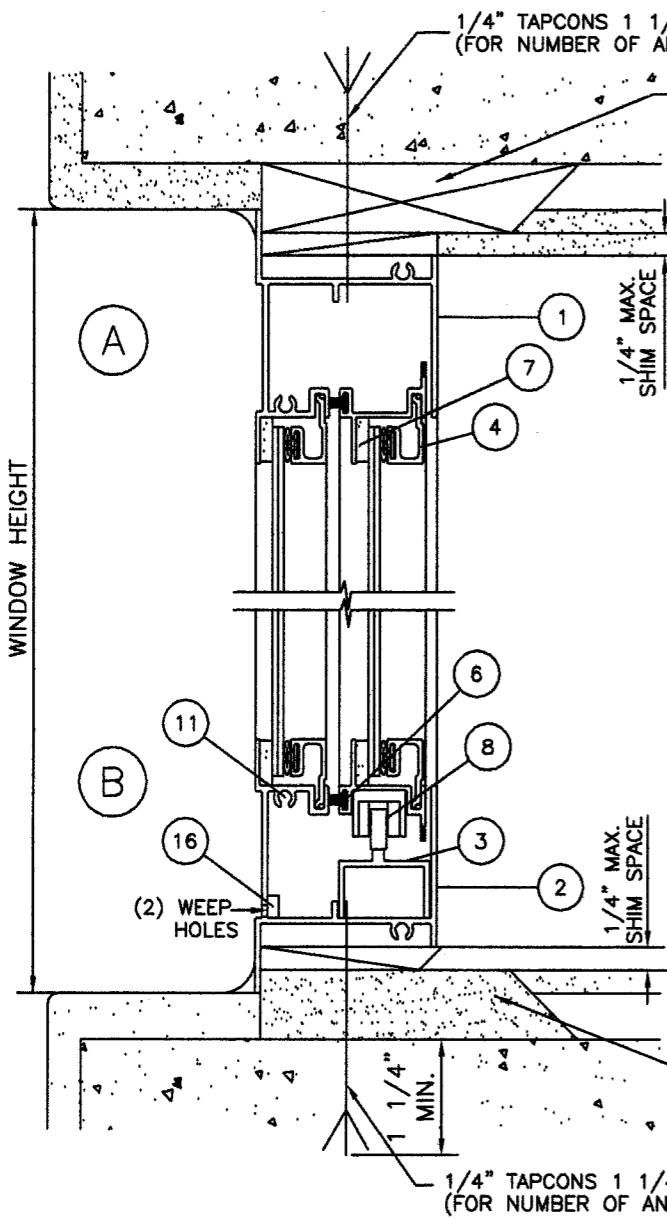
Scale: 1/2"=1'

Revision: \_\_\_\_\_

Revision: \_\_\_\_\_

DRAWING NO.  
HS07-01

SHEET  
 1 OF 3



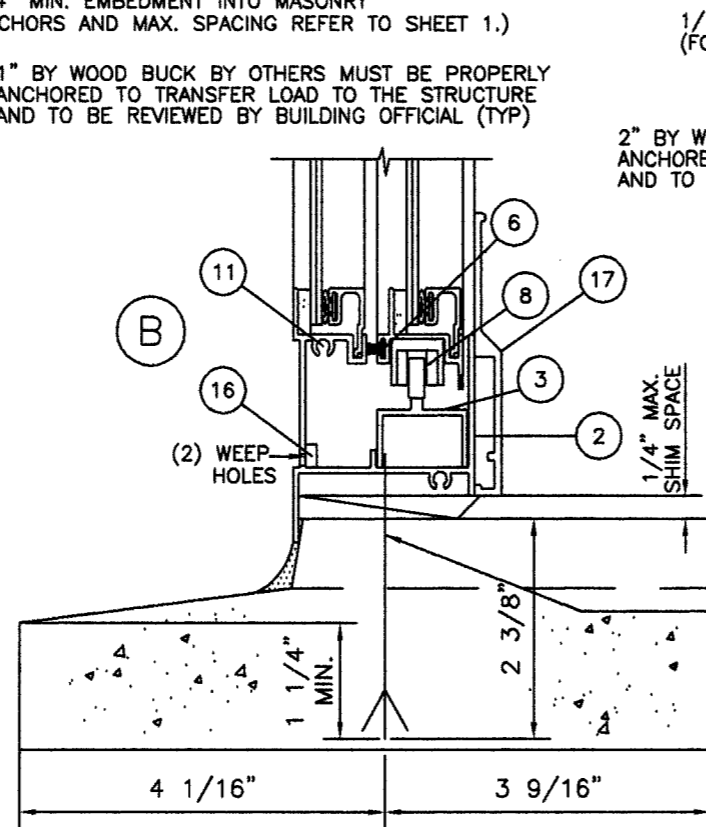
**ATTACHMENT TO MASONRY  
VERTICAL SECTION**

**GLAZING METHOD:**

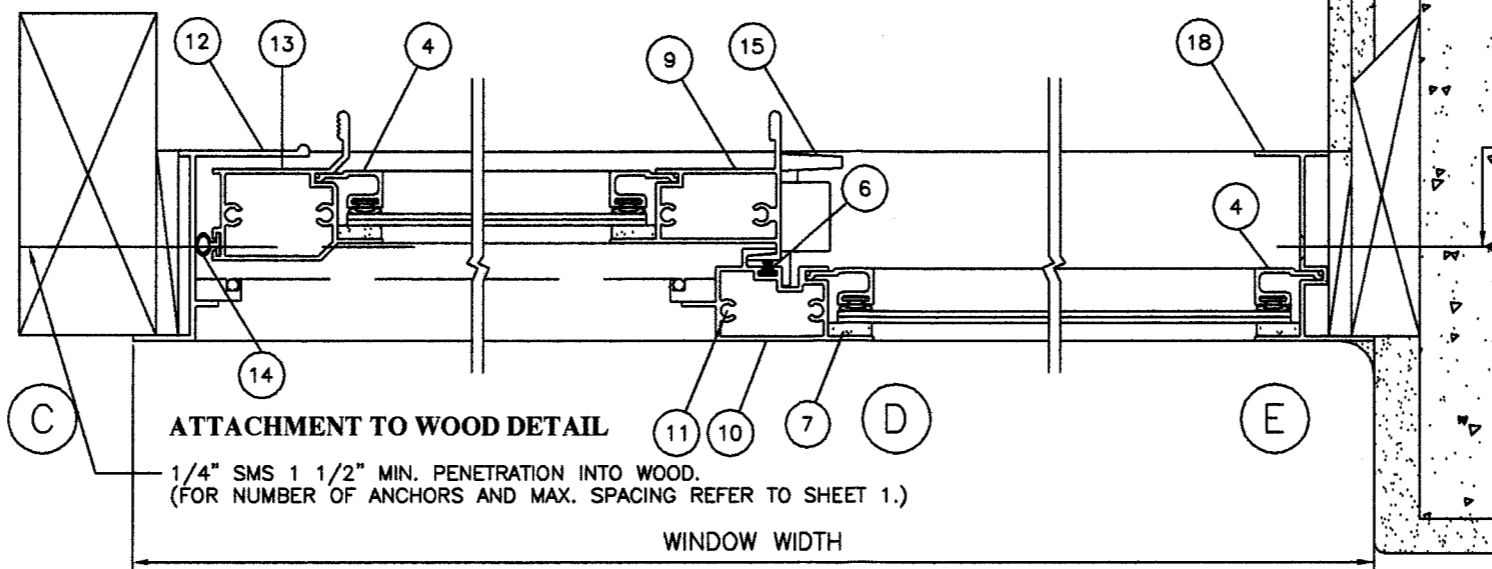
USE ADHESIVE BEDDING COMPOUND AND GLAZING FOAM TAPE ON EXTERIOR. EXTRUDED ALUMINUM SNAP ON GLAZING BEAD WITH VINYL BULB ON INTERIOR.

WOOD BUCKS NOT BY SUNSHINE WINDOWS MUST SUSTAIN IMPOSED LOADS BY GLAZING SYSTEM.

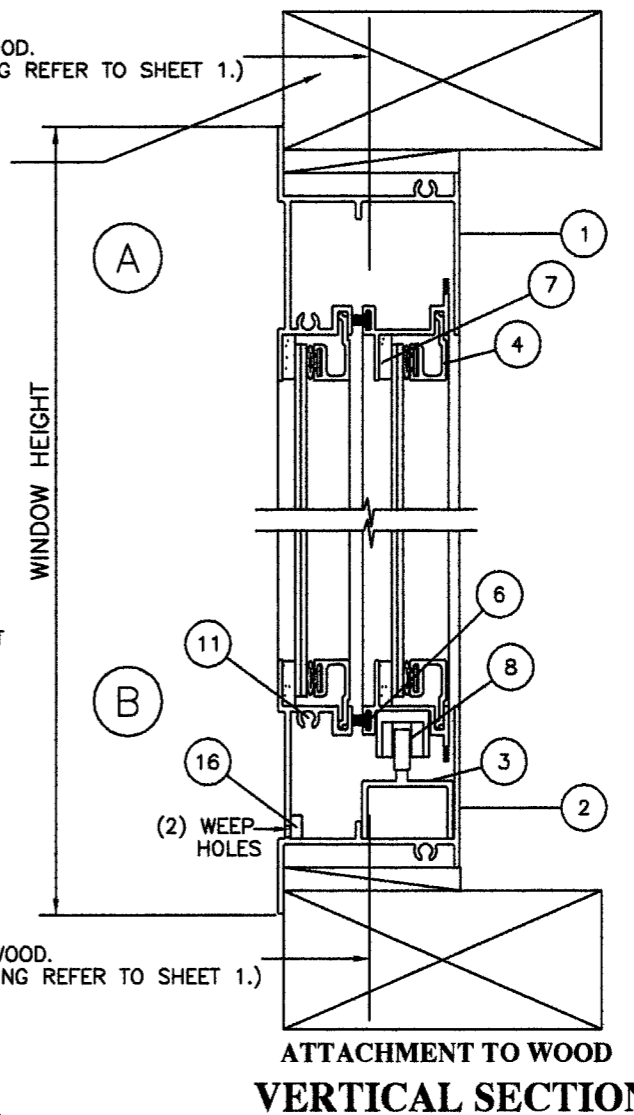
NOTE:  
FOR ATTACHMENTS TO METAL STRUCTURES AND MULLIONS USE 1/4" SMS AT HEAD, SILL AND JAMBS



**ATTACHMENT TO PRECAST SILL  
VERTICAL SECTION  
WITH SILL RISER**



**ATTACHMENT TO WOOD DETAIL**



**ATTACHMENT TO WOOD  
VERTICAL SECTION**

**PRODUCT RENEWED**  
as complying with the Florida Building Code  
Acceptance No **07-0119.05**  
Expiration Date **04/12/08**

By *Manuel Sra*  
Miami Dade Product Control Division

**ATTACHMENT TO MASONRY-DETAIL**

1/4" TAPCONS 1 1/4" MIN. EMBEDMENT INTO MASONRY.  
(FOR NUMBER OF ANCHORS AND MAX. SPACING REFER TO SHEET 1.)

*FH*  
3-16-07  
FRANCISCO HERNANDEZ  
FLORIDA PE # 51393

**HORIZONTAL SLIDING WINDOW SECTIONS HORIZONTAL SECTION**

Sunshine Windows Manufacturing, Inc.

1745 W. 33rd Place  
Hialeah, Florida 33012  
Ph: (305)364-9952  
Fax: (305)828-5118

**FRANCISCO HERNANDEZ P.E.**  
Structural Engineering  
15113 SW 35 TERR  
Miami, Florida 33185  
Phone (305) 227 6901  
Fax (305) 563 2224

**SERIES 1650 ALUMINUM  
HORIZONTAL SLIDING WINDOW (X0)  
DSB ANNEALED GLASS**

Drawn By **FH Jr**

Date: **3-16-07**

Scale: **1/2"=1"**

Revision:

Revision:


DRAWING NO.  
**HS07-01**

SHEET  
**2 OF 3**

Sunshine Windows  
Manufacturing, Inc.

1745 W. 33rd Place  
Hialeah, Florida 33012  
Ph: (305)364-9952  
Fax: (305)828-5118

**FRANCISCO HERNANDEZ P. E.**  
Structural Engineering  
15113 SW 35 TERR  
Miami, Florida 33185  
Phone (305) 227 8901  
Fax (305) 563 2224



**SERIES 1650 ALUMINUM  
HORIZONTAL SLIDING WINDOW (X0)  
DSB ANNEALED GLASS**

Drawn By: **FH Jr**

Date: **3-16-07**

Scale: **1/2" = 1"**

Revision: \_\_\_\_\_

Revision: \_\_\_\_\_

DRAWING NO.  
**HS07-01**

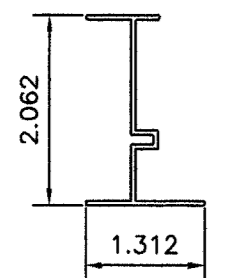
SHEET  
**3 OF 3**

**MATERIAL LIST**

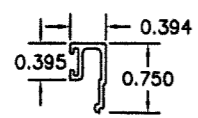
ITEM #	PART #	REQD.	DESCRIPTION	MATERIAL
1	SW-019	1	FRAME HEAD	6063-T5
2	SW-019	1	FRAME SILL	6063-T5
3	SWxxx21	1	INSERT TRACK	6063-T5
4	SW-018	AS RQD	GLAZING BEAD	6063-T5
5	SW-012	2	SLIDER TOP/BOTTOM RAIL	6063-T5
6	SW3019	AS RQD	FIN SEAL PILE	FELT
7	SW1520	AS RQD	GLAZING TAPE	FOAM
8	SW321W	2	WHEEL	BRASS
9	SW-017	1	MOVING MEETING RAIL	6063-T5
10	SW4011	1	FIXED MEETING RAIL	6063-T5
11	SW-AS	AS RQD	ASSEMBLY SCREWS	# 8X1" SMS.
12	SW-013	1	JAMB TO MOVING PANEL	6063-T5
13	SW-016	1	MOVING SIDE RAIL	6063-T5
14	SW3257	AS RQD	WEATHER STRIP BULB	VINYL
15	SW-667	AS RQD	LATCH	ZINC
16	SW-S10	2/SILL	RETICULATED FILTER	FOAM
17	SW4077	1	SILL RISER	6063-T5
18	SW-014	1	JAMB TO FIXED PANEL	6063-T5

**PRODUCT RENEWED**  
as complying with the Florida  
Building Code  
Acceptance No. **07-0119.05**  
Expiration Date **04/12/08**  
By *Manuel...*  
Miami/Dade Product Control  
Division

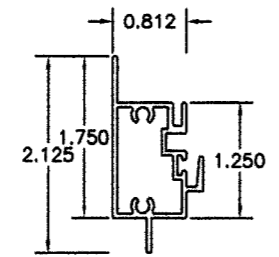
*FH Jr*  
**3-16-07**  
FRANCISCO HERNANDEZ  
FLORIDA PE # 51393



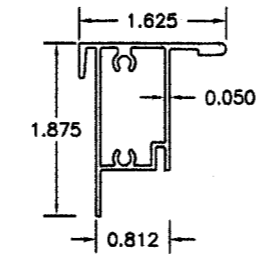
JAMB TO FIXED PANEL  
SW-014  
6063-T5



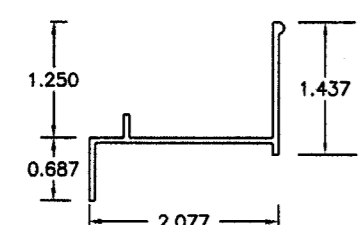
GLAZING STOP  
SW-018  
6063-T5



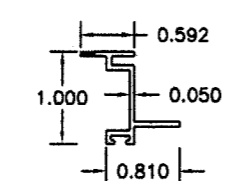
FIXED MEETING RAIL  
SW-40111  
6063-T5



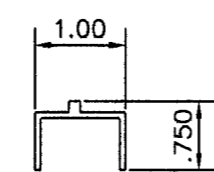
MOVING MEETING RAIL  
SW-017  
6063-T5



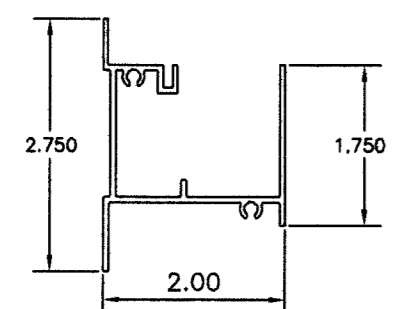
FRAME JAMB TO MOVING PANEL  
SW-013  
6063-T5



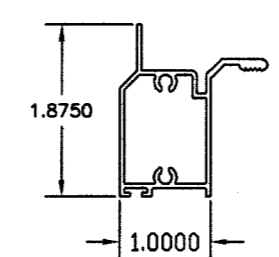
SLIDER TOP AND BOTTOM RAIL  
SW-012  
6063-T5



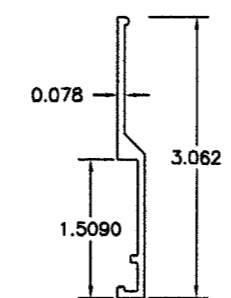
INSERT TRACK  
SW-xxx21  
6063-T5



FRAME HEAD AND SILL  
SW-019  
6063-T5



MOVING SIDE RAIL  
SW-016  
6063-T5



SILL RISER  
SW-40771  
6063-T5