



**BUILDING CODE COMPLIANCE OFFICE (BCCO)
PRODUCT CONTROL DIVISION**

**MIAMI-DADE COUNTY, FLORIDA
METRO-DADE FLAGLER BUILDING
140 WEST FLAGLER STREET, SUITE 1603
MIAMI, FLORIDA 33130-1563
(305) 375-2901 FAX (305) 375-2908**

NOTICE OF ACCEPTANCE (NOA)

**Metals USA Building Products Canada Inc.
P.O box 220, R.R. #2
Courtland, Ontario, Canada NOJ 1EO**

SCOPE:

This NOA is being issued under the applicable rules and regulations governing the use of construction materials. The documentation submitted has been reviewed by Miami-Dade County Product Control Division and accepted by the Board of Rules and Appeals (BORA) to be used in Miami Dade County and other areas where allowed by the Authority Having Jurisdiction (AHJ).

This NOA shall not be valid after the expiration date stated below. The Miami-Dade County Product Control Division (In Miami Dade County) and/or the AHJ (in areas other than Miami Dade County) reserve the right to have this product or material tested for quality assurance purposes. If this product or material fails to perform in the accepted manner, the manufacturer will incur the expense of such testing and the AHJ may immediately revoke, modify, or suspend the use of such product or material within their jurisdiction. BORA reserves the right to revoke this acceptance, if it is determined by Miami-Dade County Product Control Division that this product or material fails to meet the requirements of the applicable building code.

This product is approved as described herein, and has been designed to comply with the High Velocity Hurricane Zone of the Florida Building Code.

DESCRIPTION: Continental Tile, Woodshake Tile, Shadowline Tile and Talavera SF Tile

LABELING: Each unit shall bear a permanent label with the manufacturer's name or logo, city, state and following statement: "Miami-Dade County Product Control Approved", unless otherwise noted herein.

RENEWAL of this NOA shall be considered after a renewal application has been filed and there has been no change in the applicable building code negatively affecting the performance of this product.

TERMINATION of this NOA will occur after the expiration date or if there has been a revision or change in the materials, use, and/or manufacture of the product or process. Misuse of this NOA as an endorsement of any product, for sales, advertising or any other purposes shall automatically terminate this NOA. Failure to comply with any section of this NOA shall be cause for termination and removal of NOA.

ADVERTISEMENT: The NOA number preceded by the words Miami-Dade County, Florida, and followed by the expiration date may be displayed in advertising literature. If any portion of the NOA is displayed, then it shall be done in its entirety.

INSPECTION: A copy of this entire NOA shall be provided to the user by the manufacturer or its distributors and shall be available for inspection at the job site at the request of the Building Official.

This renews and revises NOA# 06-0905.08 and consists of pages 1 through 7.
The submitted documentation was reviewed by Alex Tigera.



**NOA No.: 07-0507.07
Expiration Date: 05/23/12
Approval Date: 08/09/07
Page 1 of 7**

ROOFING ASSEMBLY APPROVAL

Category: Roofing
Sub-Category: Panels
Type: Non-Structural
Sub-Type: Metal
Maximum Design Pessure: -130.83 psf.

TRADE NAMES OF PRODUCTS MANUFACTURED OR LABELED BY APPLICANT:

<u>Product</u>	<u>Covered Dimensions</u>	<u>Test Specifications</u>	<u>Product Description</u>
Continental Tile, Woodshake Tile Shadowline Tile, Talavera SF Tile Trim pieces	Length: 47 1/4" Width: 15 13/16" Thickness 0.018	TAS 110	Corrosion Resistant, Coated, Preformed, Metal Panels Simulating Tile, Slate, and Shake
	Length: varies Width: varies	TAS 110	Corrosion Resistant, Coated, Preformed, Metal Trim

EVIDENCE SUBMITTED

<u>Laboratory</u>	<u>Test Report</u>	<u>Test Identifier</u>	<u>Date</u>
Underwriters Laboratory	06NK12280	TAS-125	10/23/06
Underwriters Laboratory	05CA40567	TAS-125	11/15/05
Underwriters Laboratory	05CA40567	TAS-125	11/16/05
Celotex	520063B	TAS-100	10/30/98
Underwriters Laboratory	99NK7263	ASTM B-117 ASTM G-23	07/07/99
PRI Construction Materials, Inc.	MUSA-009-02-01	TAS-100	03/28/07
PRI Construction Materials, Inc.	MUSA-005-02-01	TAS-100 (A)	03/28/07



NOA No.: 07-0507.07
 Expiration Date: 05/23/12
 Approval Date: 08/09/07
 Page 2 of 7

APPROVED ASSEMBLIES

SYSTEM A-1: Continental Tile, Shadowline Tile, Woodshake Tile and Talavera SF Tile

Deck Type: Wood, Non-insulated

Deck Description: New Construction of $1\frac{9}{32}$ " or greater plywood or wood plank or Re-roof $1\frac{5}{32}$ " plywood.

Maximum Uplift

Pressure: The maximum allowable design pressure for the panel shall be **-130.83 psf.**

Deck Attachment: In accordance with applicable building code, but in no case shall it be less using minimum #8 x $1\frac{3}{4}$ " wood screws or annular ring shank nails at a spacing of 6" o.c. at supports. In re-roofing, where the deck is less than $1\frac{9}{32}$ " thick (Minimum $1\frac{5}{32}$ "") The above attachment method must be in addition to existing attachment.

Underlayment: Minimum underlayment shall be a double layer underlayment system comprised of a #15 felt (ASTM D 226, type 1) applied with a 50% overlap or application of a #30 felt (ASTM D 226, type II) or #43 coated base sheet (ASTM D 2626) installed with a minimum 6" side-laps and 2" headlaps. Underlayment shall be fastened with corrosion resistant tin-caps and $1\frac{1}{4}$ " annular ring-shank nails, spaced 6" o.c. at all laps and two staggered rows 12" o.c. in the field of the roll. Or any approved underlayment having a current NOA.

Fire Barrier: When required (by code), any approved fire barrier having a current NOA. For class A or B fire rating, install minimum $\frac{1}{4}$ " thick Georgia Pacific "Dens Deck" (with current NOA) or minimum 4 mm thick of Tritex, RockRoof (with current NOA), $\frac{5}{8}$ " water resistance type X gypsum sheathing with treated core and facer, or Elk Corp. "Versashield" (with current NOA). Please refer to products NOA for placement in the assembly.

Valleys: Valley construction shall be in compliance with Roofing Application Standard RAS 133 and with the current published installation instructions and details in Metals USA Building Products Canada Inc's installation instructions.

Battens: Install nominal 2" x 2" battens of kiln dried lumber over underlayment running perpendicular to the roof slope at a maximum spacing of 15- $\frac{13}{16}$ " using minimum of one #12-13 x $3\frac{1}{2}$ " pan screws spaced 24" o.c. and at $\frac{1}{2}$ " from each end.

Metal Panels and Accessories: Install the "Continental Tile, Shadowline Tile, Woodshake Tile and Talavera SF Tile" panels including flashing penetrations, valleys endlaps and accessories in compliance with "Metals USA Building Products Canada Inc's current, published installation instructions and in compliance with the minimum requirements detailed in Roofing Application Standard RAS 133.

Fasteners shall be a minimum of #10 $1\frac{1}{2}$ " long hex head metal/wood fasteners to be installed in the front downturn, at the low profile in each panel as per manufacturer instructions. This leads to 5 fasteners for the Continental panel and 6 fasteners per Shadowline, Woodshake, and Talvera SF panel.



NOA No.: 07-0507.07
Expiration Date: 05/23/12
Approval Date: 08/09/07

Page 3 of 7

SYSTEM A-2: Continental Tile, Shadowline Tile, Woodshake Tile and Talavera SF Tile

Deck Type: Wood, Non-insulated

Deck Description: Recover over existing Asphalt Shingle Roof $1\frac{5}{32}$ " or greater plywood

Maximum Uplift Pressure: The maximum allowable design pressure for the panel shall be **-63 psf.**

Deck Attachment: For recover applications, existing deck attachments shall be confirmed to be in compliance with applicable building code.

Existing Shingles: Existing shingles shall be minimum Class 'C' organic felt shingles or minimum Class 'A' fiberglass shingles to maintain a Class 'A' or 'B' fire rating, as noted below.

Underlayment: Minimum underlayment shall be a double layer underlayment system comprised of a #15 felt (ASTM D 226, type I) applied with a 50% overlap or application of a #30 felt (ASTM D 226, type II) or #43 coated base sheet (ASTM D 2626) installed with a minimum 6" side-laps and 2" headlaps. Underlayment shall be fastened with corrosion resistant tin-caps and $1\frac{1}{4}$ " annular ring-shank nails, spaced 6" o.c. at all laps and two staggered rows 12" o.c. in the field of the roll. Or any approved underlayment with a current NOA.

Fire Barrier: When required (by code) any approved fire barrier having a current NOA. For class A or B fire rating, install minimum $\frac{1}{4}$ " thick Georgia Pacific "Dens Deck" (with current NOA) or minimum 4 mm thick of Tritex, RockRoof (with current NOA), $\frac{5}{8}$ " water resistant type X gypsum sheathing with treated core and facer, or Elk Corporation "Versashield" (with current NOA). Please refer to products NOA for placement in the assembly.

Battens: Install nominal 2" x 2" wood battens of kiln dried lumber, running perpendicular to the roof slope, at a spacing of $15\text{-}\frac{13}{16}$ " using a minimum of one #12-13 x $3\text{-}\frac{1}{2}$ " pan screws spaced 24" o.c. and $\frac{1}{2}$ " from each end.

Valleys: Valley construction shall be in compliance with Roofing Application Standard RAS 133 and with current published installation instructions and details in Metals USA Building Products Canada Inc's current published installation instructions.

Metal Panels and Accessories: Install the Continental Tile, Shadowline Tile, Shake Tile and Talavera SF Tile panels including flashing, penetrations, valleys, end laps and accessories in compliance with Metals USA Building Products Canada Inc's current, published installation instructions and in compliance with the minimum requirements detailed in Roofing Application Standard RAS 133.

Fastener shall be #10 $1\text{-}\frac{1}{2}$ " long minimum hex head metal/wood fasteners to be installed in the front downturn, at the low profile in each panel as per manufacturers instructions. This leads to 5 fasteners for the Continental panel and 6 fasteners per Shadowline, Woodshake, and Talvera SF panel.



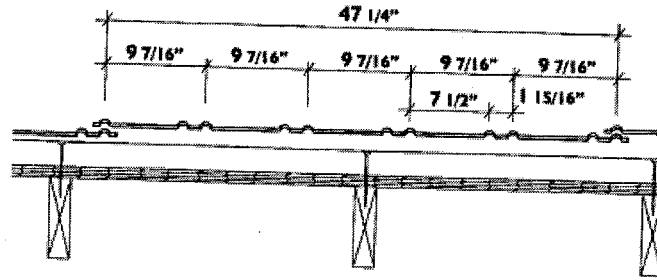
NOA No.: 07-0507.07
Expiration Date: 05/23/12
Approval Date: 08/09/07

Page 4 of 7

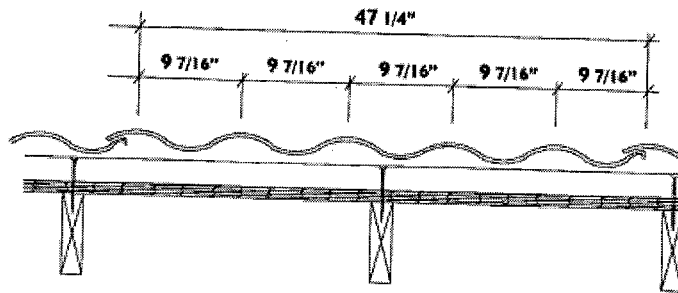
SYSTEM LIMITATIONS

1. The maximum design pressure limitation listed herein shall be applicable to all roof pressure zones (i.e. field, perimeters, and corners). Neither rational analysis, nor extrapolation shall be permitted for enhanced fastening at enhanced pressure zones (i.e. perimeters, and corners).
2. All panels shall be permanently labeled with the manufacturer's name and/or logo, and the following statement: "Miami-Dade County Product Control Approved."
3. Fire classification is not part of this acceptance; refer to a current Approved Roofing Materials Directory for fire rating of this product.
4. For minimum slope requirements, refer to applicable building code.

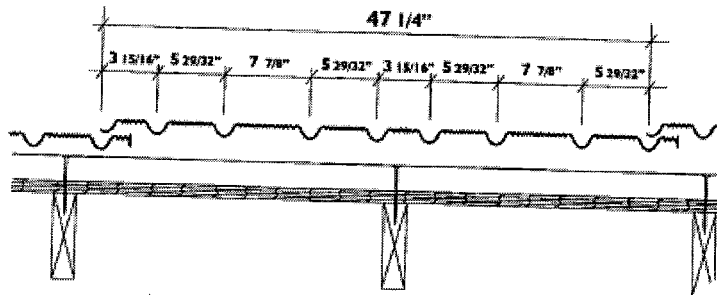




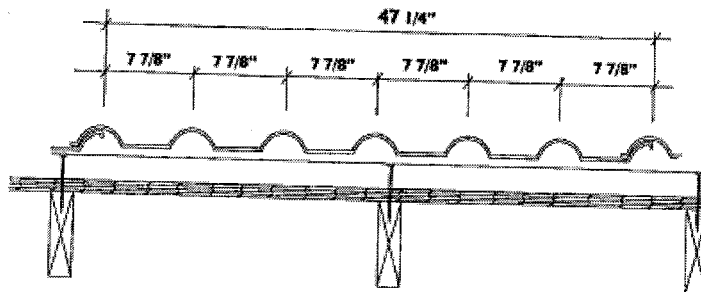
Shadowline Tile



Continental Tile



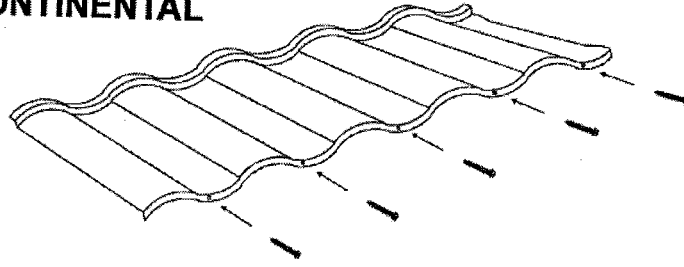
Woodshake Tile



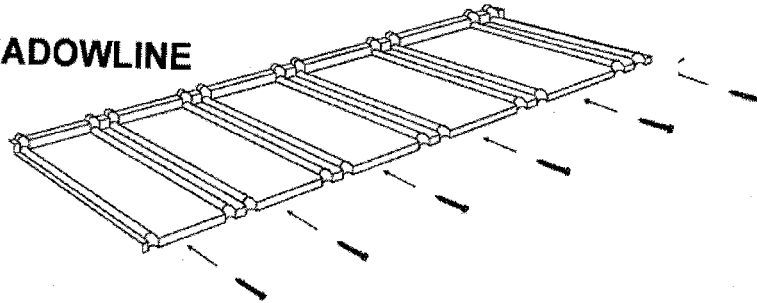
Talavera SF Tile



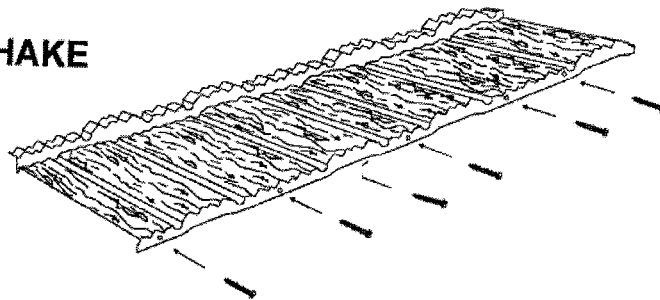
CONTINENTAL



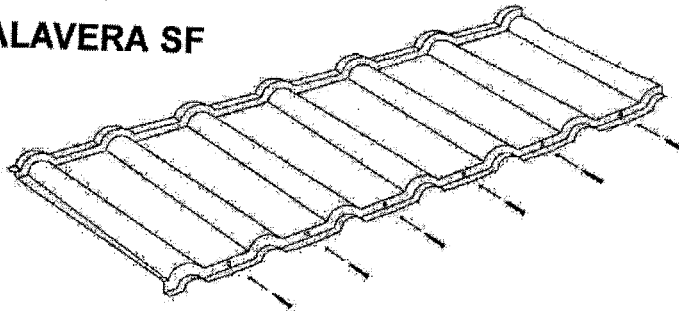
SHADOWLINE



SHAKE



TALAVERA SF



END OF THIS ACCEPTANCE



NOA No.: 07-0507.07
Expiration Date: 05/23/12
Approval Date: 08/09/07
Page 7 of 7