



MIAMI-DADE COUNTY
BUILDING CODE COMPLIANCE OFFICE (BCCO)
PRODUCT CONTROL DIVISION

MIAMI-DADE COUNTY, FLORIDA
METRO-DADE FLAGLER BUILDING
140 WEST FLAGLER STREET, SUITE 1603
MIAMI, FLORIDA 33130-1563
 (305) 375-2901 FAX (305) 372-6339

NOTICE OF ACCEPTANCE (NOA)

www.maimidade.gov/buildingcode

Arxx Building Products USA, Inc.
2711 Centerville Rd. # 300 PMB # 938
Wilmington, DE 19808

SCOPE:

This NOA is being issued under the applicable rules and regulations governing the use of construction materials. The documentation submitted has been reviewed by Miami-Dade County Product Control Division and accepted by the Board of Rules and Appeals (BORA) to be used in Miami Dade County and other areas where allowed by the Authority Having Jurisdiction (AHJ).

This NOA shall not be valid after the expiration date stated below. The Miami-Dade County Product Control Division (In Miami Dade County) and/or the AHJ (in areas other than Miami Dade County) reserve the right to have this product or material tested for quality assurance purposes. If this product or material fails to perform in the accepted manner, the manufacturer will incur the expense of such testing and the AHJ may immediately revoke, modify, or suspend the use of such product or material within their jurisdiction. BORA reserves the right to revoke this acceptance, if it is determined by Miami-Dade County Product Control Division that this product or material fails to meet the requirements of the applicable building code.

This product is approved as described herein, and has been designed to comply with the Florida Building Code, including the High Velocity Hurricane Zone.

DESCRIPTION: Arxx Insulated Concrete Forms.

APPROVAL DOCUMENT: Drawing No. **6S1001**, titled "ARXX WALL SYSTEM", sheet 1 of 1, dated April/00, with no revisions, prepared by Arxx Building Products USA, Inc., signed and sealed by Don Moro, P.E., bearing the Miami-Dade County Product Control Renewal stamp with the Notice of Acceptance number and expiration date by the Miami-Dade County Product Control Division.

MISSILE IMPACT RATING: None

LABELING: Each unit shall bear a permanent label with the manufacturer's name or logo, city, state and following statement: "Miami-Dade County Product Control Approved", unless otherwise noted herein.

RENEWAL of this NOA shall be considered after a renewal application has been filed and there has been no change in the applicable building code negatively affecting the performance of this product.

TERMINATION of this NOA will occur after the expiration date or if there has been a revision or change in the materials, use, and/or manufacture of the product or process. Misuse of this NOA as an endorsement of any product, for sales, advertising or any other purposes shall automatically terminate this NOA. Failure to comply with any section of this NOA shall be cause for termination and removal of NOA.

ADVERTISEMENT: The NOA number preceded by the words Miami-Dade County, Florida, and followed by the expiration date may be displayed in advertising literature. If any portion of the NOA is displayed, then it shall be done in its entirety.

INSPECTION: A copy of this entire NOA shall be provided to the user by the manufacturer or its distributors and shall be available for inspection at the job site at the request of the Building Official.

This NOA **renews NOA # 02-1011.08** and consists of this page 1 and evidence page E-1, as well as approval document mentioned above.

The submitted documentation was reviewed by **Carlos M. Utrera, P.E.**



Carlos M. Utrera
 9/26/08

NOA No. 07-0727.03
Expiration Date: October 17, 2012
Approval Date: October 16, 2008
Page 1

NOTICE OF ACCEPTANCE: EVIDENCE SUBMITTED

A. DRAWINGS

1. Drawing No. **6S1001**, titled "ARXX WALL SYSTEM", sheet 1 of 1, dated April/00, with no revisions, prepared by Arxx Building Products USA, Inc., signed and sealed by Don Moro, P.E.

B. TESTS

	<u>Report</u>	<u>Test</u>	<u>Date</u>	<u>Signature</u>
1.	U.S.T.C. # 114872	AATCC-112	07/11/95	D. H. Mangnall, P.E.
2.	U.S.T.C. # 114872	ASTM E-96	07/11/95	D. H. Mangnall, P.E.
3.	U.S.T.C. # 114872	ASTM D-1667	07/11/95	D. H. Mangnall, P.E.
4.	U.S.T.C. # 114872	ASTM G-21	07/11/95	D. H. Mangnall, P.E.
5.	MTS # 257763	ASTM C -518	08/29/96S.	D. Gatland II, P.E.
6.	MTS # 257737	ASTM D-1929	07/27/96	D. Gatland II, P.E.

"Submitted under NOA # 99-1019.04"

7. Test report on physical properties of Type 2 expanded polystyrene (EPS) plastic foam insulation, issued by Intertek Testing Services NA LTD, Project No. **3025389**, dated 08/09/02, signed by Sheldon Warman.

C. CALCULATIONS

1. None.

D. QUALITY ASSURANCE

1. Miami Dade Building Code Compliance Office (BCCO).

E. MATERIAL CERTIFICATIONS


1. None.

F. STATEMENTS

1. No change letter issued by Arxx Building Products USA, Inc., signed by Tom Patton.

G. OTHER

1. Notice of Acceptance No. **02-1011.08**, issued to Arxx Building Products USA, Inc., approved on 06/19/03 and expiring on 10/17/07.



Carlos M. Utrera, P.E.
Product Control Examiner
NOA No. 07-0727.03

Expiration Date: October 17, 2012
Approval Date: October 16, 2008

ARXX™ HIGH PERFORMANCE WALL SYSTEM

DESCRIPTION

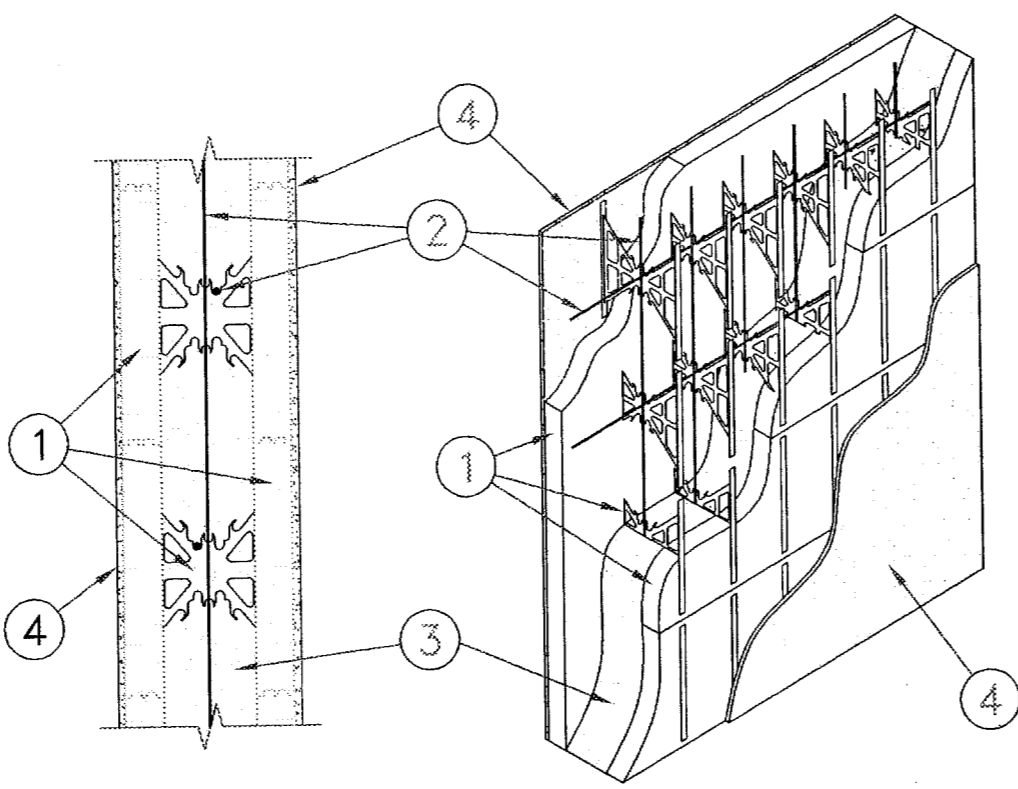
ARXX™ HIGH PERFORMANCE WALL SYSTEM IS AN INSULATED CONCRETE FORM WALL SYSTEM WITH THE FORM UNITS FABRICATED OF EXPANDED POLYSTYRENE (EPS). ALL STANDARD FORM UNITS ARE 48" LONG AND 16 3/4" HIGH. THE FORMS REMAIN IN PLACE AFTER CURING OF THE CONCRETE AND SERVE AS INSULATION FOR THE WALL.

THE SYSTEM, AS A FORM SHALL COMPLY WITH ACI 347, AND THE CONCRETE WALLS SHALL COMPLY WITH ACI 318.

THE PROPERTIES OF THE EPS ARE LISTED HEREIN.

PRODUCT CHARACTERISTICS:

DESCRIPTION	PROPERTIES	TEST
DENSITY	1.36 pcf	ASTM C303
FLAME SPREAD	10	ASTM E-84
SMOKE DEVELOPMENT	300	ASTM E-84
SELF IGNITION TEMPERATURE	806°F	ASTM C1929
THERMAL CONDUCTIVITY	0.235 BTU-in/hr-ft ² -°F	ASTM C518
ODOR EMISSION	NOT DETECTED	AATCC-112
WATER VAPOUR TRANSMISSION	0.466 Grains/hr-ft ²	ASTM E-96
WATER ABSORPTION	0.18 lbs/ft ²	ASTM D-1667
FUNGUS RESISTANCE	NO BACTERIAL GROWTH	ASTM G-21



- 1 ARXX FORMS
- 2 STEEL REINFORCING BARS
- 3 CAST IN PLACE CONCRETE CORE
- 4 INTERIOR/EXTERIOR FINISH

PRODUCT RENEWED
 as complying with the Florida
 Building Code
 Acceptance No 07-0727-03
 Expiration Date 10/17/2007
 By [Signature]
 Miami Dade Product Control
 Division

THIS APPROVAL PERTAINS TO THE INSULATION PROPERTIES OF ARXX HIGH PERFORMANCE WALL SYSTEM AND IT DOES NOT APPROVE THE CONCRETE, STRUCTURAL NOR FORMING CAPACITY OF THE MATERIAL AND THE SYSTEM.

FOR OFFICE USE

 Donald J. Moro
 JUL 13 2007
 P.E. #61459

FOR USER
 DON MORO
 FL. P. E. #61459
 UNITED ENGINEERING
 5613 6th Street West
 Lehigh Acres, FL 33971
 Office 239-303-5180
 Fax 239-369-1358
 donm_uesc@hotmail.com

MANUFACTURER

 Arxx Building Products USA, INC.
 2711 Centerville Rd #300, PMB#938
 Wilmington, DE 19808
 www.arxxbuild.com

TITLE
**ARXX™
 WALL SYSTEM**

REV	1	DWG NO.	6S1001
DATE		DATE	APRIL/00
BY	Pvs	SHT	1 OF 1