



**BUILDING CODE COMPLIANCE OFFICE (BCCO)  
PRODUCT CONTROL DIVISION**

**MIAMI-DADE COUNTY, FLORIDA  
METRO-DADE FLAGLER BUILDING  
140 WEST FLAGLER STREET, SUITE 1603  
MIAMI, FLORIDA 33130-1563  
(305) 375-2901 FAX (305) 375-2908**

**NOTICE OF ACCEPTANCE (NOA)**

**Metals USA Building Products Canada, Inc.  
P.O. Box 220, R.R. #2  
Courtland, Ontario CANADA N0J-1E0**

**SCOPE:**

This NOA is being issued under the applicable rules and regulations governing the use of construction materials. The documentation submitted has been reviewed by Miami-Dade County Product Control Division and accepted by the Board of Rules and Appeals (BORA) to be used in Miami Dade County and other areas where allowed by the Authority Having Jurisdiction (AHJ).

This NOA shall not be valid after the expiration date stated below. The Miami-Dade County Product Control Division (In Miami Dade County) and/or the AHJ (in areas other than Miami Dade County) reserve the right to have this product or material tested for quality assurance purposes. If this product or material fails to perform in the accepted manner, the manufacturer will incur the expense of such testing and the AHJ may immediately revoke, modify, or suspend the use of such product or material within their jurisdiction. BORA reserves the right to revoke this acceptance, if it is determined by Miami-Dade County Product Control Division that this product or material fails to meet the requirements of the applicable building code.

This product is approved as described herein, and has been designed to comply with the Florida Building Code and the High Velocity Hurricane Zone of the Florida Building Code.

**DESCRIPTION: Talavera NB, Tudor Slate NB, Ridgewood NB Metal Roof Panels**

**LABELING:** Each unit shall bear a permanent label with the manufacturer's name or logo, city, state and following statement: "Miami-Dade County Product Control Approved", unless otherwise noted herein.

**RENEWAL** of this NOA shall be considered after a renewal application has been filed and there has been no change in the applicable building code negatively affecting the performance of this product.

**TERMINATION** of this NOA will occur after the expiration date or if there has been a revision or change in the materials, use, and/or manufacture of the product or process. Misuse of this NOA as an endorsement of any product, for sales, advertising or any other purposes shall automatically terminate this NOA. Failure to comply with any section of this NOA shall be cause for termination and removal of NOA.

**ADVERTISEMENT:** The NOA number preceded by the words Miami-Dade County, Florida, and followed by the expiration date may be displayed in advertising literature. If any portion of the NOA is displayed, then it shall be done in its entirety.

**INSPECTION:** A copy of this entire NOA shall be provided to the user by the manufacturer or its distributors and shall be available for inspection at the job site at the request of the Building Official.

This NOA consists of pages 1 through 7.

The submitted documentation was reviewed by Alex Tigera.



**NOA #: 07-0829.11  
Expiration Date: 11/08/08  
Approval Date: 11/08/07  
Page 1 of 7**

## ROOFING SYSTEM APPROVAL:

<b><u>Category:</u></b>	Roofing
<b><u>Sub-Category:</u></b>	Metal, Panels (Non-Structural)
<b><u>Material:</u></b>	Steel
<b><u>Deck Type:</u></b>	Wood
<b><u>Maximum Design Pressure</u></b>	-144.25 psf

## TRADE NAMES OF PRODUCTS MANUFACTURED OR LABELED BY APPLICANT:

<b><u>Product</u></b>	<b><u>Dimensions</u></b>	<b><u>Test Specifications</u></b>	<b><u>Product Description</u></b>
Talavera NB	Length = 47.25" Width = 15.82" Thickness: 0.018"	TAS 110 & TAS 125	Corrosion resistant, galvalume, preformed, stone coated, metal panels simulating a barrel tile profile.
Tudor Slate NB	Length = 47.25" Width = 15.82" Thickness: 0.018"	TAS 110 & TAS 125	Corrosion resistant, galvalume, preformed, stone coated, metal panels simulating a slate profile.
Ridgewood NB	Length = 47.25" Width = 15.82" Thickness: 0.018"	TAS 110 & TAS 125	Corrosion resistant, galvalume, preformed, stone coated, metal panels simulating a wood shake profile.
Trim Pieces	Length: Varies Width: Varies	TAS 110	Standard flashing and trim pieces. Corrosion resistance galvalume.



**EVIDENCE SUBMITTED:**

<u>Test Agency</u>	<u>Test Identifier</u>	<u>Test Name/Report</u>	<u>Date</u>
PRI Construction Materials	MUSA-010-02-01	TAS 100	07/26/07
Hurricane Test Laboratory, LLC.	0480-0623-07	TAS 125	08/01/07



## APPROVED SYSTEMS

**SYSTEM A-1:** Talavera NB, Tudor Slate NB, and Ridgewood NB Tile  
**Deck Type:** Wood, Non-insulated  
**Slope Range:** 3":12" or greater  
**Maximum Uplift Pressure:** See **Table A** below

**Deck Attachment:** In accordance with applicable building code, but in no case shall it be less than # 8 x 2-3/8" long ring shank nails spaced at a maximum spacing listed in **Table A** below. In reroofing, where the deck is less than 19/32" thick (Minimum 15/32") The above attachment method must be in addition to existing attachment.

**Underlayment:** Minimum underlayment shall be an ASTM D 226 Type II installed with a minimum 4" side-lap and 6" end-laps. Underlayment shall be fastened with corrosion resistant tin-caps and 12 gauge 1 1/4" annular ring-shank nails, spaced 6" o.c. at all laps and two staggered rows 12" o.c. in the field of the roll. Or, any approved underlayment having a current NOA.

**Fire Barrier:** Any approved Fire Barrier having a current NOA. For class A or B fire rating, install minimum 1/4" thick Georgia Pacific "Dens Deck" (with current NOA) or minimum 4mm thick Tritex, RockRoof (with current NOA) or 5/8" water resistance type X gypsum sheathing with treated core facer.

**Valleys:** Valley construction shall be in compliance with Roofing Application Standard RAS 133 and with the current published installation instruction and details in Metals USA Building Products of Canada, Inc. installation manual.

**Metal Panels and Accessories:** Install the "Talavera NB, Tudor Slate NB, and Ridgewood NB Tile" and accessories in compliance with Metals USA Building Products of Canada, Inc's installation manual. Flashings, penetrations, valley construction and other details shall be constructed in compliance with Roofing Application Standard RAS 133.

Panels fastened to the deck using #10 x 2-1/2" long hex head wood screws with sealing washers and painted finish at 7-7/8" o.c. See Details herein.

- For field conditions, use one (1) screw at 7-7/8" o.c. on the bottom edge of the panel.
- For Perimeter and Corner conditions use two (2) screws at 7-7/8" o.c. at the bottom edge of the panel.

Table A		
	Field Condition	Perimeter and Corner Condition
<b>Plywood Nail Spacing</b>	<b>6" o.c.</b>	<b>4" o.c.</b>
<b>Number of Fasteners &amp; Spacing</b>	<b>(1) @ 7-7/8" o.c.</b>	<b>(2) @ 7-7/8" o.c.</b>
<b>Maximum Design Pressure</b>	<b>-103 psf.</b>	<b>-144.25 psf.</b>
No extrapolation allowed.		



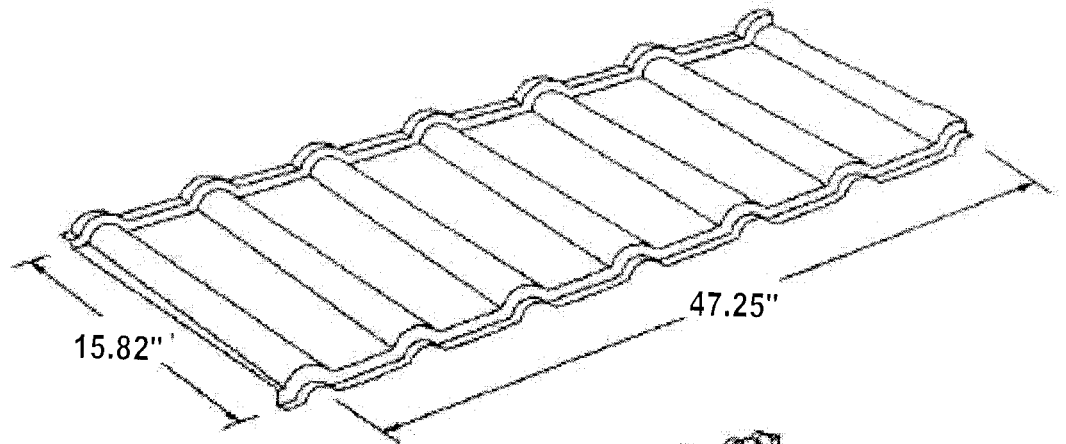
## **SYSTEM LIMITATIONS**

1. The maximum designed pressure listed herein shall be applicable to all roof pressure zones (i.e. field, perimeters, and corners). Neither rational analysis, nor extrapolation shall be permitted for enhanced fastening at enhanced pressure zones (i.e. perimeters, extended corners and corners).
2. All panels shall be permanently labeled with the manufacturer's name and/or logo, and the following statement: "Miami-Dade County Product Control Approved."
3. All products listed herein shall have a quality assurance audit in accordance with the Florida Building Code and Rule 9B-72 of the Florida Administrative Code.
4. Fire classification is not part of this acceptance; refer to a current Approved Roofing Materials Directory for fire ratings of this product.

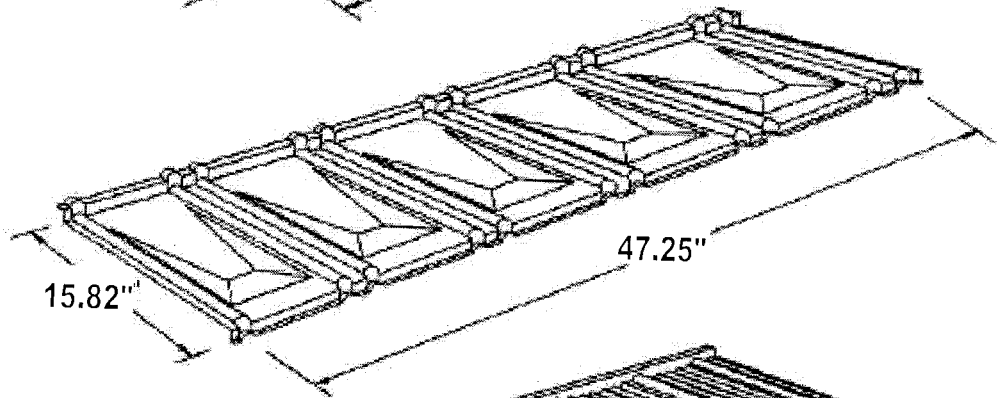


**DETAIL DRAWINGS:**

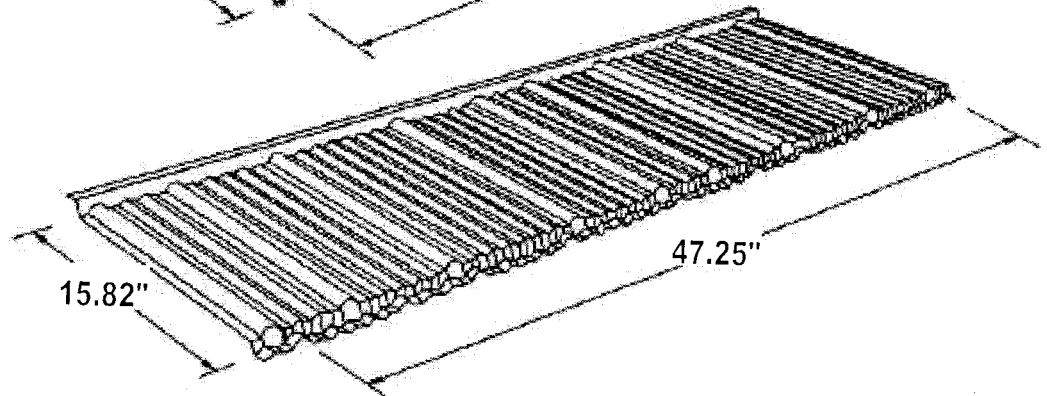
**TALAVERA NB**



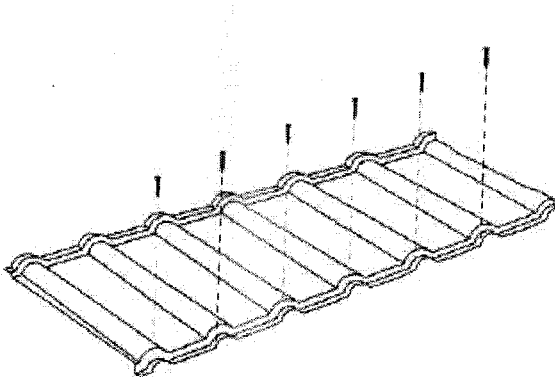
**TUDOR SLATE NB**



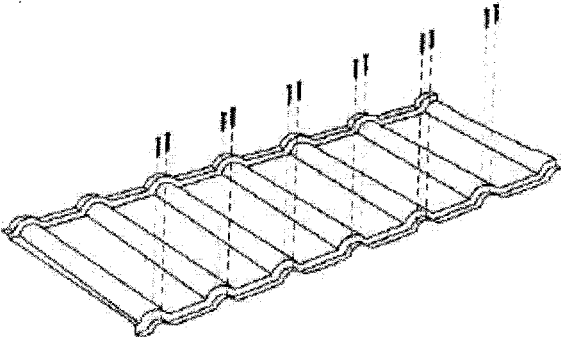
**RIDGEWOOD NB**



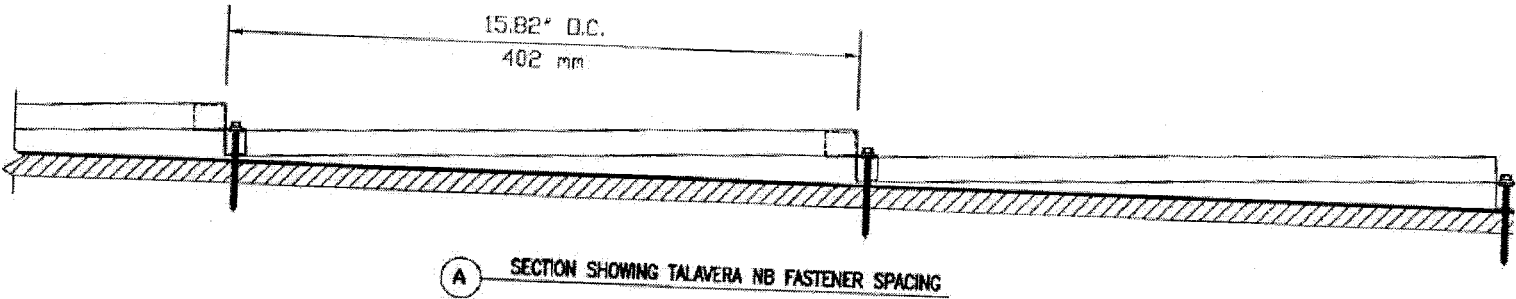
**PANEL FASTENING DETAILS**



**FIELD CONDITION**



**PERIMETER AND CORNER CONDITION**



**END OF THIS ACCEPTANCE**



NOA #: 07-0829.11  
Expiration Date: 11/08/08  
Approval Date: 11/08/07  
Page 7 of 7