



**BUILDING CODE COMPLIANCE OFFICE (BCCO)
PRODUCT CONTROL DIVISION**

**MIAMI-DADE COUNTY, FLORIDA
METRO-DADE FLAGLER BUILDING
140 WEST FLAGLER STREET, SUITE 1603
MIAMI, FLORIDA 33130-1563
(305) 375-2901 FAX (305) 375-2908**

NOTICE OF ACCEPTANCE (NOA)

**Owens Corning
One Owens Corning Parkway
Toledo, OH 43659**

SCOPE:

This NOA is being issued under the applicable rules and regulations governing the use of construction materials. The documentation submitted has been reviewed by Miami-Dade County Product Control Division and accepted by the Board of Rules and Appeals (BORA) to be used in Miami Dade County and other areas where allowed by the Authority Having Jurisdiction (AHJ).

This NOA shall not be valid after the expiration date stated below. The Miami-Dade County Product Control Division (In Miami Dade County) and/or the AHJ (in areas other than Miami Dade County) reserve the right to have this product or material tested for quality assurance purposes. If this product or material fails to perform in the accepted manner, the manufacturer will incur the expense of such testing and the AHJ may immediately revoke, modify, or suspend the use of such product or material within their jurisdiction. BORA reserves the right to revoke this acceptance, if it is determined by Miami-Dade County Product Control Division that this product or material fails to meet the requirements of the applicable building code.

This product is approved as described herein, and has been designed to comply with the Florida Building Code, including the High Velocity Hurricane Zone of the Florida Building Code.

DESCRIPTION: Supreme AR 3 Tab Shingles

LABELING: Each unit shall bear a permanent label with the manufacturer's name or logo, city, state and following statement: "Miami-Dade County Product Control Approved", unless otherwise noted herein.

RENEWAL of this NOA shall be considered after a renewal application has been filed and there has been no change in the applicable building code negatively affecting the performance of this product.

TERMINATION of this NOA will occur after the expiration date or if there has been a revision or change in the materials, use, and/or manufacture of the product or process. Misuse of this NOA as an endorsement of any product, for sales, advertising or any other purposes shall automatically terminate this NOA. Failure to comply with any section of this NOA shall be cause for termination and removal of NOA.

ADVERTISEMENT: The NOA number preceded by the words Miami-Dade County, Florida, and followed by the expiration date may be displayed in advertising literature. If any portion of the NOA is displayed, then it shall be done in its entirety.

INSPECTION: A copy of this entire NOA shall be provided to the user by the manufacturer or its distributors and shall be available for inspection at the job site at the request of the Building Official.

This renews NOA #06-1113.06 and consists of pages 1 through 4.
The submitted documentation was reviewed by Alex Tigera.



**NOA No.: 07-1116.12
Expiration Date: 03/20/13
Approval Date: 02/14/08
Page 1 of 4**

ROOFING ASSEMBLY APPROVAL

Category: Roofing
Sub-Category: 07310 Asphalt Shingles
Materials: 3-Tab
Deck Type: Wood

1. SCOPE

This renews Owens Corning Supreme AR as manufactured by Owens Corning described in Section 2 of this Notice of Acceptance.

2. PRODUCT DESCRIPTION

<u>Product</u>	<u>Dimensions</u>	<u>Test Specifications</u>	<u>Product Description</u>
Supreme AR	12" x 36"	TAS 110	A heavy weight, fiberglass reinforced asphalt shingle.

3. EVIDENCE SUBMITTED:

<u>Test Agency</u>	<u>Test Identifier</u>	<u>Test Name/Report</u>	<u>Date</u>
Underwriters Laboratories, Inc.	02NK45241	ASTM D 3462	12/05/97
	05CA53426		12/02/05
Underwriters Laboratories, Inc.	02NK45241	TAS 107	11/14/02
	03NK04954		03/20/03
	04CA52475		03/23/05
	06CA03524		03/30/06
	04NK40618		11/12/04
Underwriters Laboratories, Inc.	R2453	Reference	01/09/03
PRI Asphalt Technologies, Inc.	OCF-067-02-01	TAS 100	11/12/02
	OCF-076-02-01		02/24/04
	OCF-094-02-01		08/29/06
	OCF-095-02-01		09/22/06

4. LIMITATIONS

- 4.1 Fire classification is not part of this acceptance; refer to a current Approved Roofing Materials Directory for fire ratings of this product.
- 4.2 Shall not be installed on roof mean heights in excess of 33 ft.

5. INSTALLATION

- 5.1 Shingles shall be installed in compliance with Roofing Application Standard RAS 115.
- 5.2 Flashing shall be in accordance with Roofing Application Standard RAS 115
- 5.3 The manufacturer shall provide clearly written application instructions.
- 5.4 Exposure and course layout shall be in compliance with Detail 'A', attached.
- 5.5 Nailing shall be in compliance with Detail 'B', attached.



NOA No.: 07-1116.12
Expiration Date: 03/20/13
Approval Date: 02/14/08
Page 2 of 4

6. LABELING

6.1 Shingles shall be labeled with the Miami-Dade Logo or the wording "Miami-Dade County Product Control Approved".

7. BUILDING PERMIT REQUIREMENTS

7.1 Application for building permit shall be accompanied by copies of the following:

7.1.1 This Notice of Acceptance.

7.1.2 Any other documents required by the Building Official or the applicable code in order to properly evaluate the installation of this system.

8. MANUFACTURING PLANTS

8.1 Atlanta, GA

8.2 Jacksonville, FL

8.3 Irving, TX

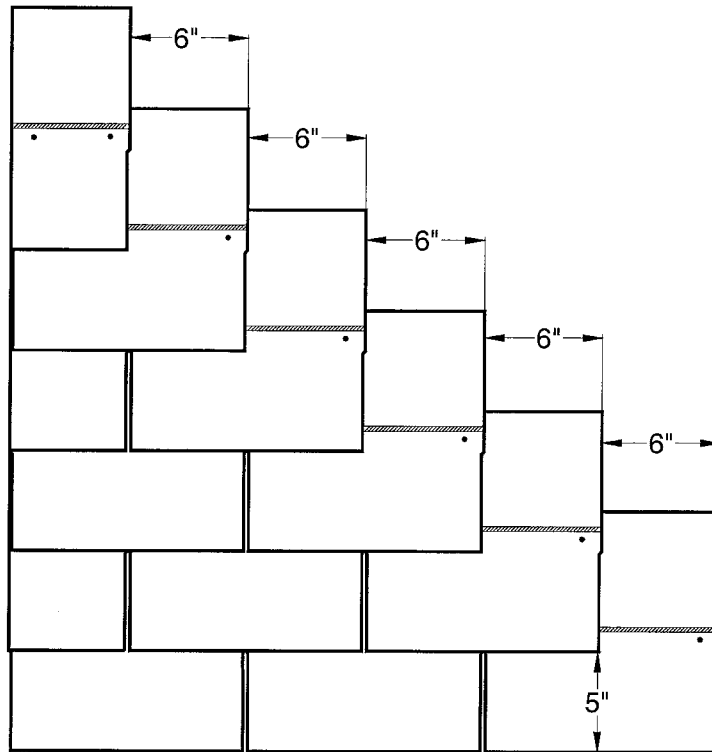
8.4 Memphis, TN.

8.5 Jessup, MN.

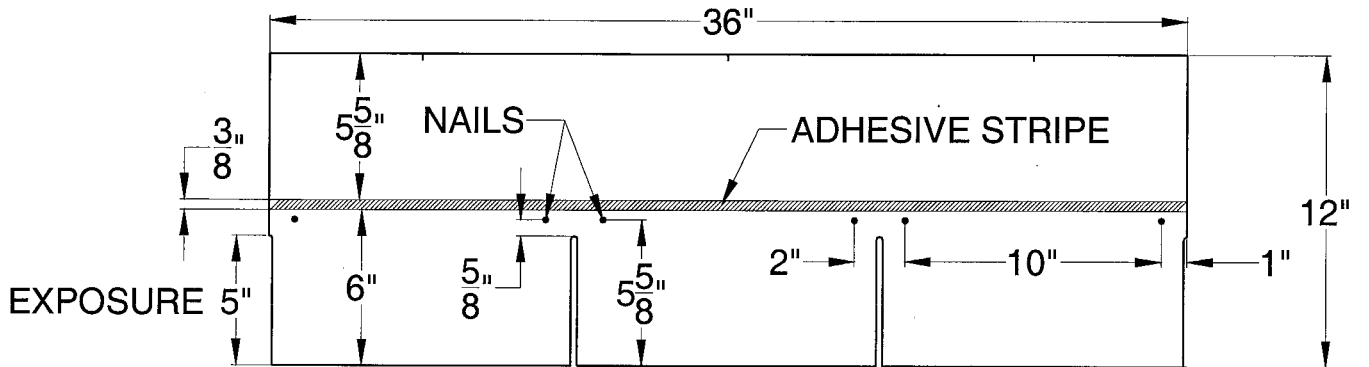
8.6 Medina, OH.



DETAIL A



DETAIL B



END OF THIS ACCEPTANCE

