



MIAMI-DADE COUNTY
BUILDING CODE COMPLIANCE OFFICE (BCCO)
PRODUCT CONTROL DIVISION

MIAMI-DADE COUNTY, FLORIDA
METRO-DADE FLAGLER BUILDING
140 WEST FLAGLER STREET, SUITE 1603
MIAMI, FLORIDA 33130-1563
 (305) 375-2901 · FAX (305) 372-6339

www.maimidade.gov/buildingcode

NOTICE OF ACCEPTANCE (NOA)

Cornell Iron Works
100 Elmwood Avenue
Mountaintop, PA 18707

SCOPE: This NOA is being issued under the applicable rules and regulations governing the use of construction materials. The documentation submitted has been reviewed by Miami-Dade County Product Control Division and accepted by the Board of Rules and Appeals (BORA) to be used in Miami Dade County and other areas where allowed by the Authority Having Jurisdiction (AHJ).

This NOA shall not be valid after the expiration date stated below. The Miami-Dade County Product Control Division (In Miami Dade County) and/or the AHJ (in areas other than Miami Dade County) reserve the right to have this product or material tested for quality assurance purposes. If this product or material fails to perform in the accepted manner, the manufacturer will incur the expense of such testing and the AHJ may immediately revoke, modify, or suspend the use of such product or material within their jurisdiction. BORA reserves the right to revoke this acceptance, if it is determined by Miami-Dade County Product Control Division that this product or material fails to meet the requirements of the applicable building code. This product is approved as described herein, and has been designed to comply with the Florida Building Code, including the High Velocity Hurricane Zone.

DESCRIPTION: 14'-5" Rolling Door

APPROVAL DOCUMENT: Drawing No. **ES16-37-01**, titled "Dade County Approved 14'-5" 60 psf Uninsulated Rolling Steel Door", sheets 1 and 2 of 2, dated 05/22/08, with revision A dated 07/10/08, prepared by Cornell Iron Works, signed and sealed on 08/18/08 by Joseph H. Dixon, Jr., P.E., bearing the Miami-Dade County Product Control Approval stamp with the Notice of Acceptance number and approval date by the Miami-Dade County Product Control Division.

MISSILE IMPACT RATING: Large and Small Missile Impact Resistant

LABELING: Each unit shall bear a permanent label with the manufacturer's name or logo, city, state and following statement: "Miami-Dade County Product Control Approved", unless otherwise noted herein.

RENEWAL of this NOA shall be considered after a renewal application has been filed and there has been no change in the applicable building code negatively affecting the performance of this product.

TERMINATION of this NOA will occur after the expiration date or if there has been a revision or change in the materials, use, and/or manufacture of the product or process. Misuse of this NOA as an endorsement of any product, for sales, advertising or any other purposes shall automatically terminate this NOA. Failure to comply with any section of this NOA shall be cause for termination and removal of NOA.

ADVERTISEMENT: The NOA number preceded by the words Miami-Dade County, Florida, and followed by the expiration date may be displayed in advertising literature. If any portion of the NOA is displayed, then it shall be done in its entirety.

INSPECTION: A copy of this entire NOA shall be provided to the user by the manufacturer or its distributors and shall be available for inspection at the job site at the request of the Building Official. This NOA consists of this page 1 and evidence page E-1, as well as approval document mentioned above. The submitted documentation was reviewed by **Mohammed Iqbal Shaikh, P.E.**



Md
 08/27/08

NOA No. 08-0529.04
Expiration Date: September 18, 2013
Approval Date: September 18, 2008
 Page 1

NOTICE OF ACCEPTANCE: EVIDENCE SUBMITTED

A. DRAWINGS

1. Drawing No. **ES16-37-01**, titled "Dade County Approved 14'-5" 60 psf Uninsulated Rolling Steel Door", sheets 1 and 2 of 2, dated 05/22/08, with revision A dated 07/10/08, prepared by Cornell Iron Works, signed and sealed on 08/18/08 by Joseph Dixon Jr; P.E.

B. TESTS

1. Test reports on 1) Uniform Static Air Pressure Test, Loading per FBC, TAS 202-94
2) Large Missile Impact Test per FBC, TAS 201-94
3) Cyclic Wind Pressure Loading per FBC, TAS 203-94
4) Tensile Test per ASTM E 8-01,
along with marked-up drawings by Architectural Testing, Inc., Test Report No. **79233.01-109-18**, dated 03/13/08, signed and sealed by Michael D. Stremmel, P.E.
2. Test reports on 1000 hours of Salt Spray per ASTM B117 of GalvaNex and G-90, prepared by ETC Laboratories, Test Report No. **ETC-06-1071-18365.1**, dated 01/17/06, signed and sealed by Joseph L. Doldan, P.E.

C. CALCULATIONS

1. Anchor verification calculations and structural analysis, dated 05/23/08, and 07/10/08 prepared, signed and sealed by Joseph H. Dixon, Jr., P.E.

D. QUALITY ASSURANCE

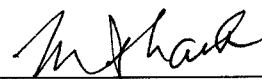
1. Miami Dade Building Code Compliance Office (BCCO).

E. MATERIAL CERTIFICATIONS

1. None.

F. STATEMENTS

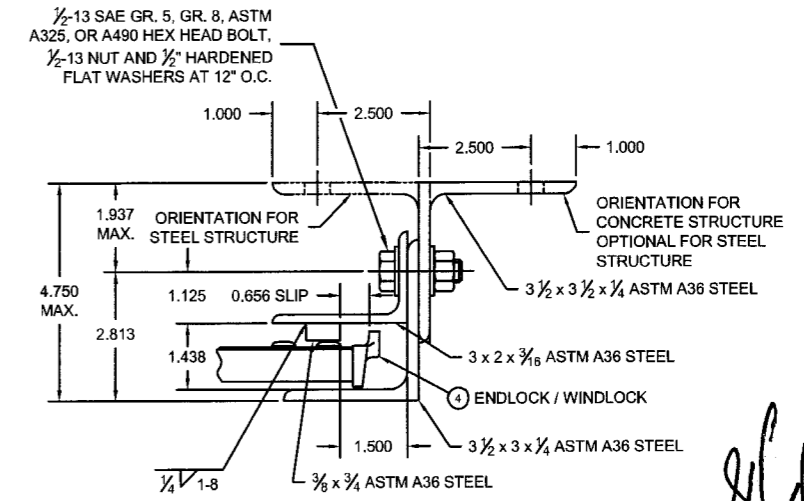
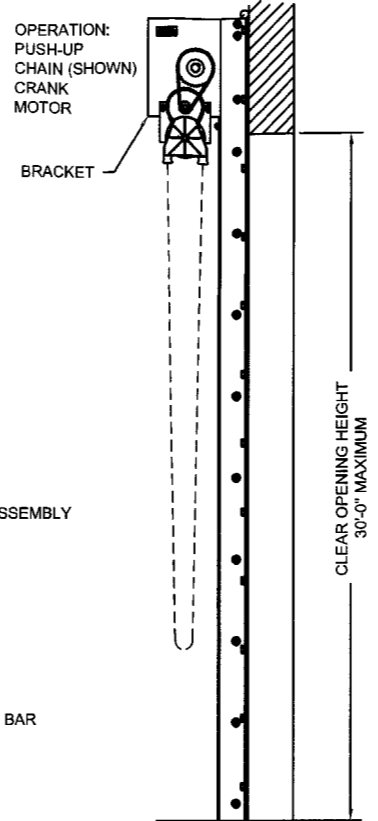
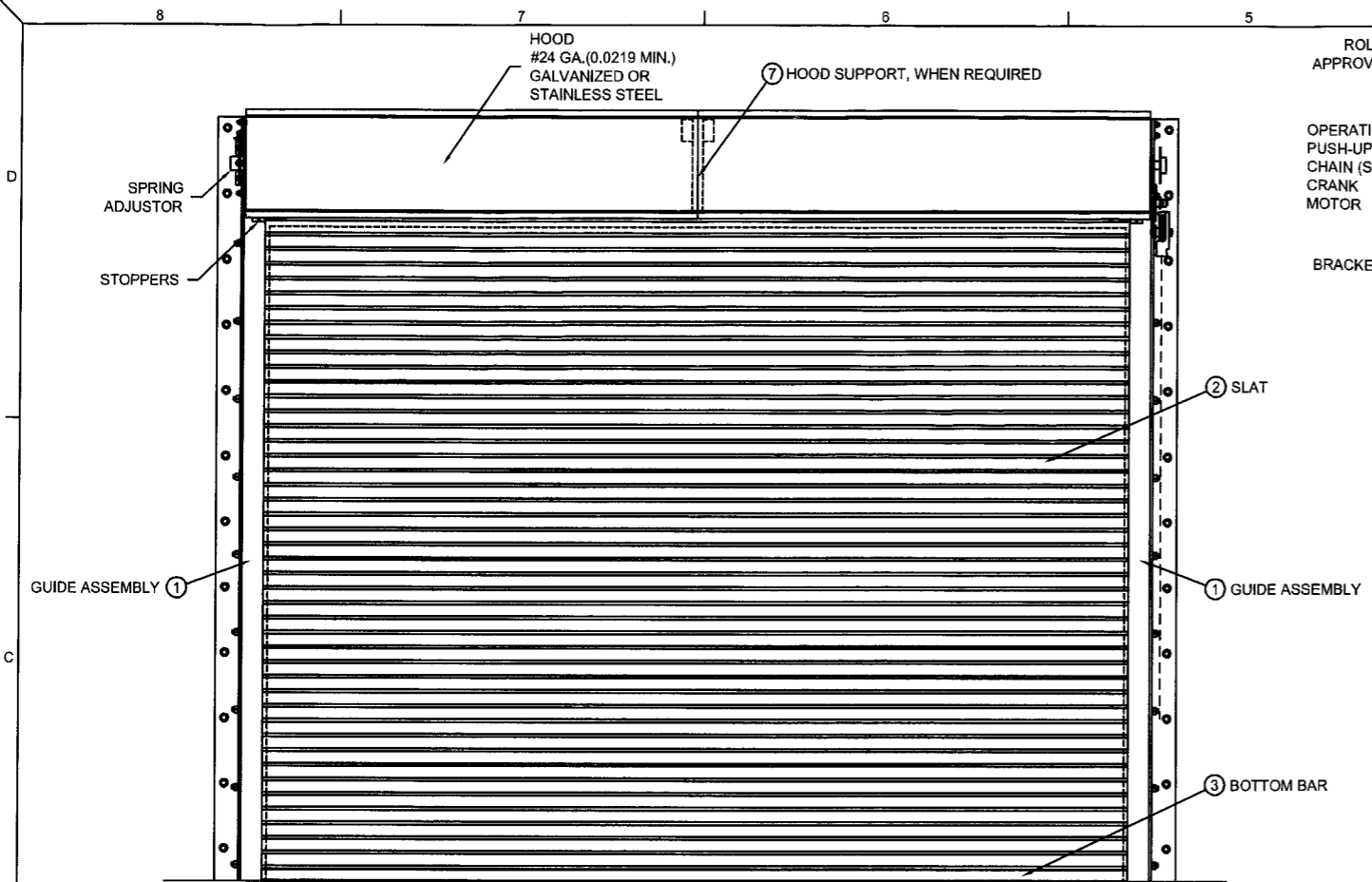
1. Statement letter of code conformance, dated 05/23/08, signed and sealed by Joseph H. Dixon, Jr., P.E.
2. Statement letter of no financial interest, dated 05/23/08, signed and sealed by Joseph H. Dixon, Jr., P.E.
3. Laboratory code compliance letter for Test Report No. **79232.01-109-18**, issued by Architectural Testing, Inc., dated 03/14/08, signed and sealed by Michael D. Stremmel, P.E.



Mohammed Iqbal Shaikh, P.E.
Sr. Building Code Compliance Specialist
NOA No. 08-0529.04
Expiration Date: September 18 2013
Approval Date: September 18, 2008

LTR	REVISION	DATE	BY	E.C.O.
*	ORIGINAL ISSUE	05/22/2008	R.M.	-
A	REVISED NOTES SECTION	07/10/2008	R.M.	-
B	ADDED NOTE 10 PER DADE CO. FAX ON 08/15/08	08/18/2008	R.M.	-

ROLL-UP MECHANISM NOT INCLUDED IN THIS APPROVAL. MUST BE CERTIFIED BY AN INDEPENDENT TESTING AGENCY IF REQUIRED.

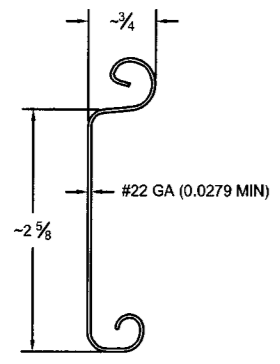
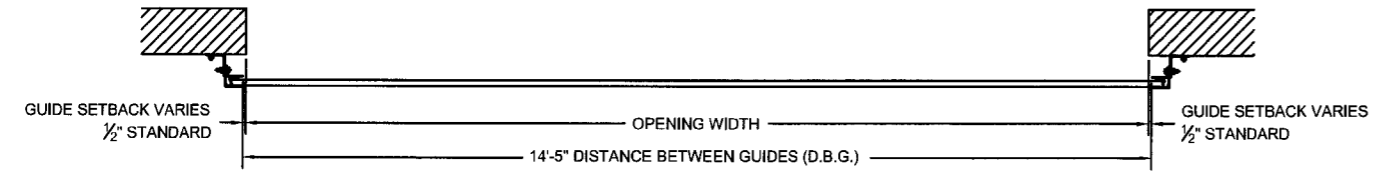


① GUIDE ASSEMBLY DETAIL
1/2 SCALE

[Handwritten Signature]
8/18/08
FL1768

Florida
Date 08/27/08
NOA# 08-0529-04
Miami Dade Product Control
Division
By *[Handwritten Signature]*

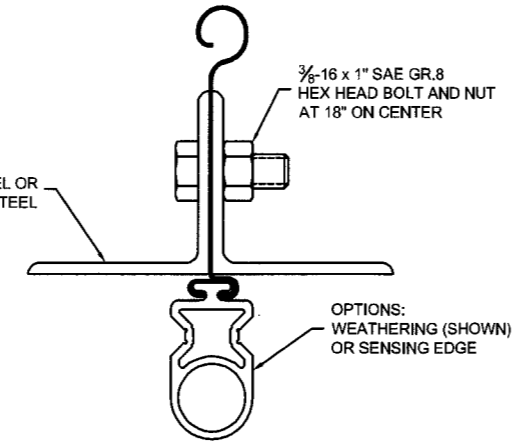
- NOTES:
- THIS ROLL-UP DOOR SYSTEM IS DESIGNED IN ACCORDANCE WITH THE 2007 FLORIDA BUILDING CODE, AS A LARGE MISSILE IMPACT RESISTANT SYSTEM.
 - POSITIVE AND NEGATIVE DESIGN PRESSURE CALCULATIONS SHALL BE PERFORMED FOR SPECIFIC JOBS IN ACCORDANCE WITH ASCE 7 MINIMUM DESIGN LOADS FOR BUILDINGS AND OTHER STRUCTURES. WIND LOADS DETERMINED FOR OPENINGS SHALL BE LESS THAN OR EQUAL TO DOOR DESIGN PRESSURES NOTED BELOW.
POSITIVE DESIGN LOAD = 60 PSF
NEGATIVE DESIGN LOAD = 60 PSF
 - THE DETAILS AND SPECIFICATIONS SHOWN HEREIN REPRESENT THE PRODUCTS TESTED FOR UNIFORM STATIC AIR PRESSURE IN CONFORMANCE WITH DADE COUNTY PROTOCOLS TAS 201, 202, AND 203.
TESTING PERFORMED BY ARCHITECTURAL TESTING, INC (YORK, PA.) TEST REPORT No. 79233.01-109-18.
 - TESTING PERFORMED BY ARCHITECTURAL TESTING, INC (YORK, PA.) TEST REPORT No. 79233.01-109-18.
 - SUPERIMPOSED LOADS ON THE JAMBS FROM THIS DOOR ARE DESIGNATED AS F1, F2, AND F3 HEREIN. CONTRACTORS SHALL HAVE FLORIDA REGISTERED PROFESSIONAL ENGINEER VERIFY ADEQUACY OF BUILDING STRUCTURE TO RESIST SUPERIMPOSED LOADS F1, F2, AND F3.
 - ALL WELDING SHALL BE PERFORMED BY QUALIFIED WELDERS IN ACCORDANCE WITH AWS SPECIFICATIONS, LATEST EDITION. ALL WELDING ELECTRODES SHALL CONFORM TO AWS A5.1, GRADE E-70. MINIMUM WELDING PROCESS SHALL BE ARC WELDING AWS E7014 OR MIG WELDING AWS E705-6.
 - ANCHOR NOTES:
A. EMBEDMENT DEPTH DOES NOT INCLUDE STUCCO FINISH.
B. ANCHORS SHALL BE INSTALLED IN ACCORDANCE WITH MANUFACTURERS SPECIFICATIONS.
 - DOOR MAY BE INSTALLED ON THE INSIDE OR OUTSIDE OF AN EXTERIOR WALL.
 - A 33% INCREASE IN ALLOWABLE STRESS HAS NOT BEEN USED IN THE DESIGN OF THIS PRODUCT.
 - PAINTED STEEL SLATS WILL BE COATED WITH THE CORNELL GALVANEX™ PAINT SYSTEM.



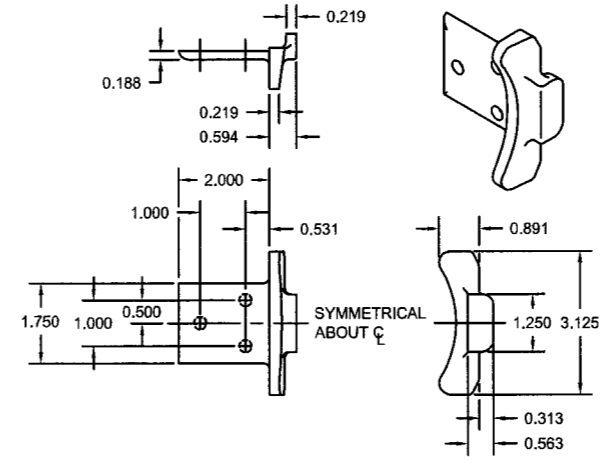
② SLAT DETAIL
TYPICAL SECTION

ASTM A653 HSLAS TYPE B GRADE 40 G60 OR
ASTM A653 HSLAS TYPE A GRADE 40 G60 OR
ASTM A653 STRUCTURAL STEEL GRADE 40 G60
OR TYPE 304 / UNS S30400 STAINLESS STEEL (MIN. YIELD 40,000 psi)
OR TYPE 430 / UNS S43000 STAINLESS STEEL (MIN. YIELD 40,000 psi)
OR TYPE 201 / UNS S20100 STAINLESS STEEL (MIN. YIELD 40,000 psi)
FULL SCALE

(2) 2 x 2 x 1/8 ASTM A36 STEEL OR
(2) 2 x 2 x .105 STAINLESS STEEL



③ BOTTOM BAR DETAIL
TYPICAL SECTION
FULL SCALE



④ ENDLOCK / WINDLOCK DETAIL

FERRITIC MALLEABLE IRON PER ASTM A47 - GRADE 32510
OR DUCTILE IRON PER ASTM A536 GRADE 65-45-12, GALVANIZED
IN ACCORDANCE WITH ASTM A153, G80 ZINC-COATING.
1/2 SCALE

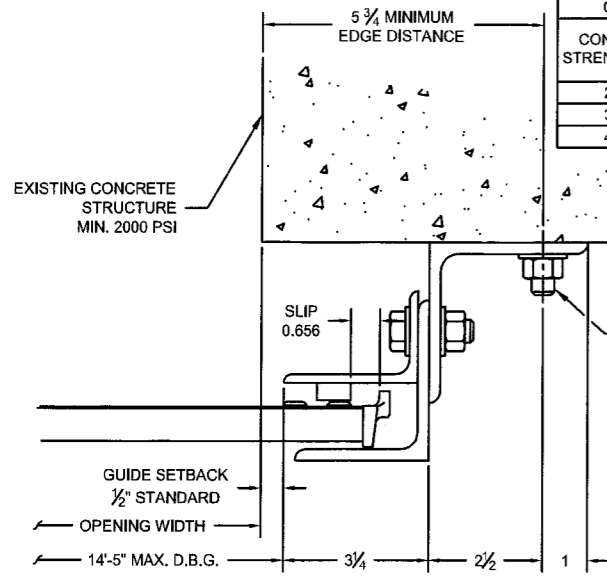
CORNELL 100 ELMWOOD AVENUE
CRESTWOOD INDUSTRIAL PARK
MOUNTAINTOP, PA 18707

TITLE
DADE COUNTY APPROVED
14'-5" 60 PSF UNINSULATED
ROLLING STEEL DOOR

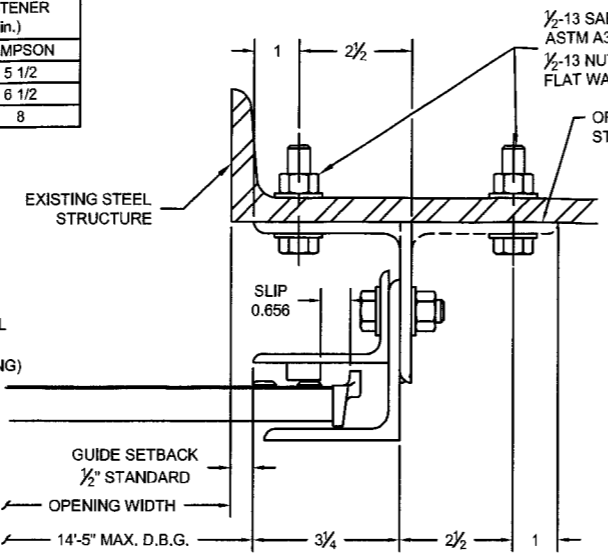
SIZE	DRAWN	DWG NO	REV
D	R. MAGGIO	ES16-37-01	B
SCALE	AS NOTED	SHEET	1 OF 2

L/TR	REVISION	DATE	BY	E.C.O.
*	ORIGINAL ISSUE	05/22/2008	R.M.	*
A	REVISED HILTI ANCHOR SPACING	07/10/2008	R.M.	*

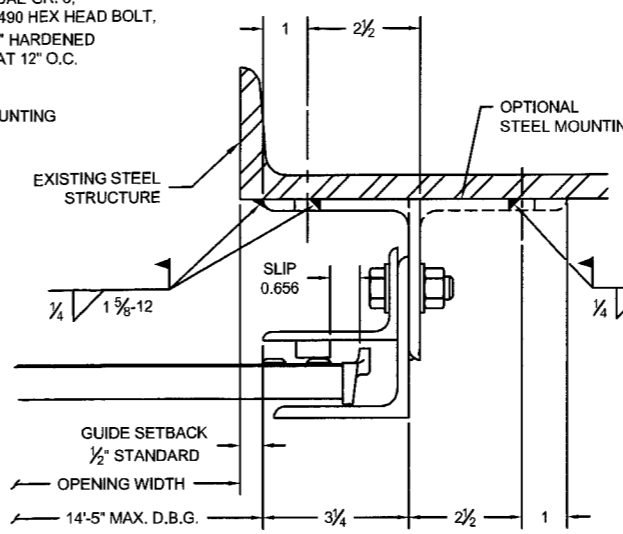
CONCRETE STRENGTH (psi)	MAXIMUM FASTENER SPACING (in.)	
	HILTI	SIMPSON
2000	6	5 1/2
3000	6 1/2	6 1/2
4000	8	8



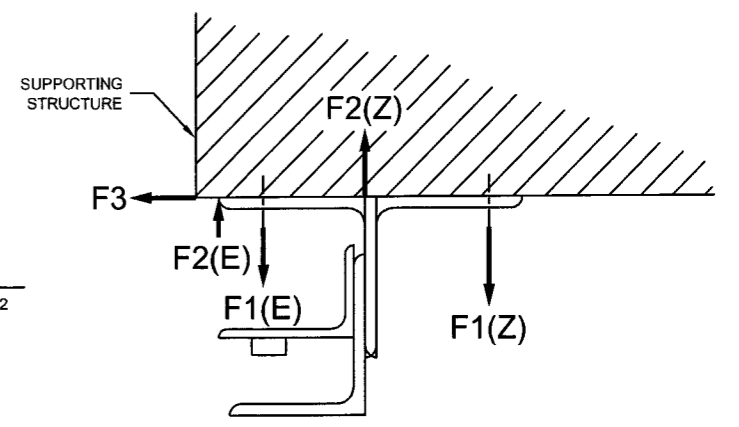
**GUIDE ASSEMBLY
CONCRETE STRUCTURE**



**GUIDE ASSEMBLY
STEEL STRUCTURE**



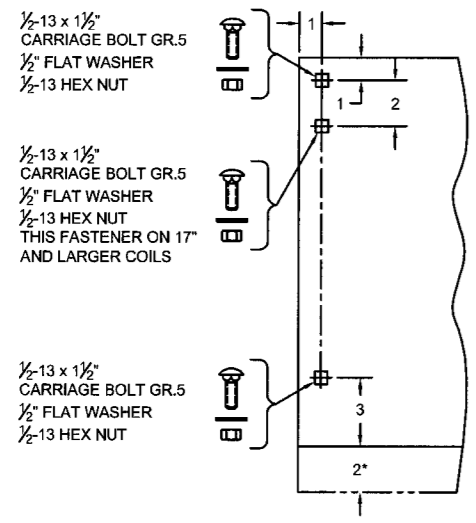
**GUIDE ASSEMBLY
STEEL STRUCTURE**



**UNREDUCED WIND FORCES
ON BUILDING STRUCTURE**

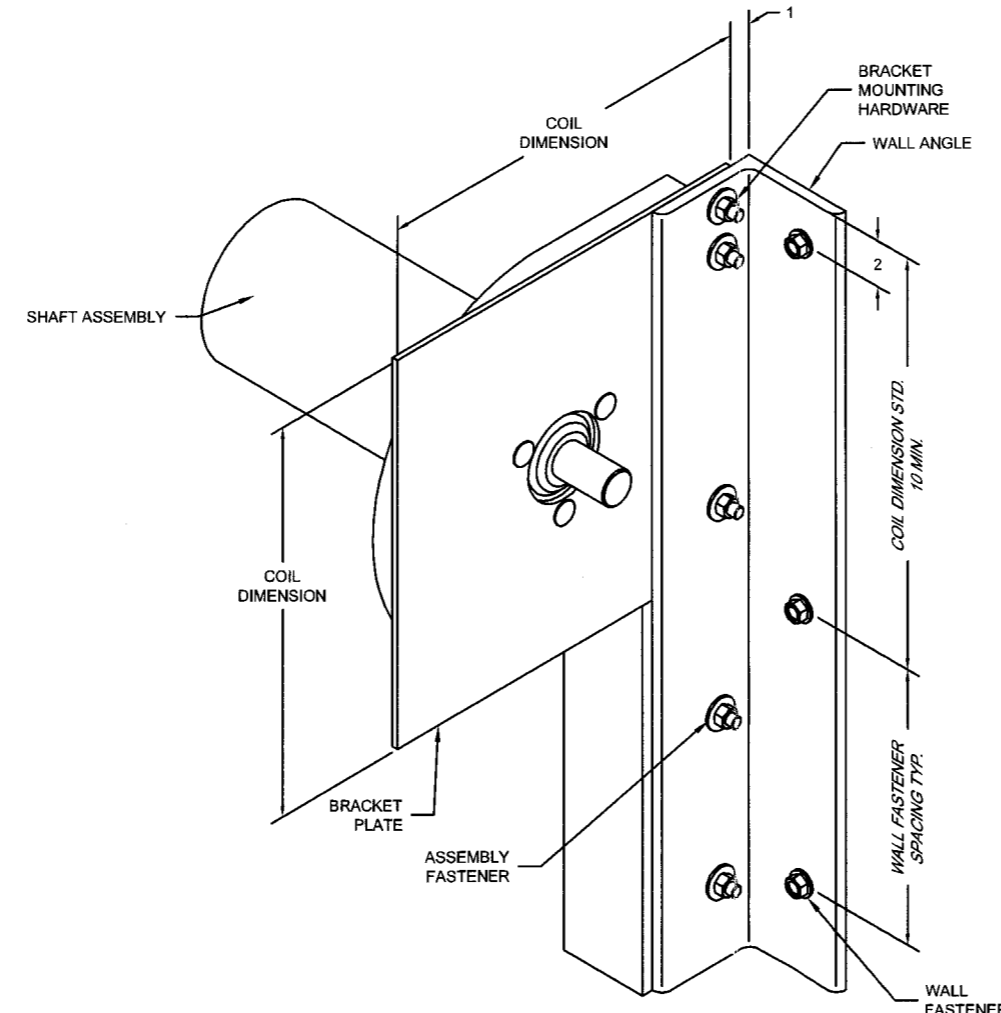
BUILDING DESIGNER NOTE:
STRUCTURE MUST BE DESIGNED TO SUPPORT F1, F2, AND F3 FORCES (LBS./FT. OF OPENING HEIGHT) AT EACH JAMB.

FORCES ON STRUCTURE (LBS / FOOT OF HEIGHT)											
Z-GUIDE						E-GUIDE					
POSITIVE			NEGATIVE			POSITIVE			NEGATIVE		
F1	F2	F3	F1	F2	F3	F1	F2	F3	F1	F2	F3
1673	1232	1677	2747	3188	1677	5615	5174	1677	5434	5875	1677

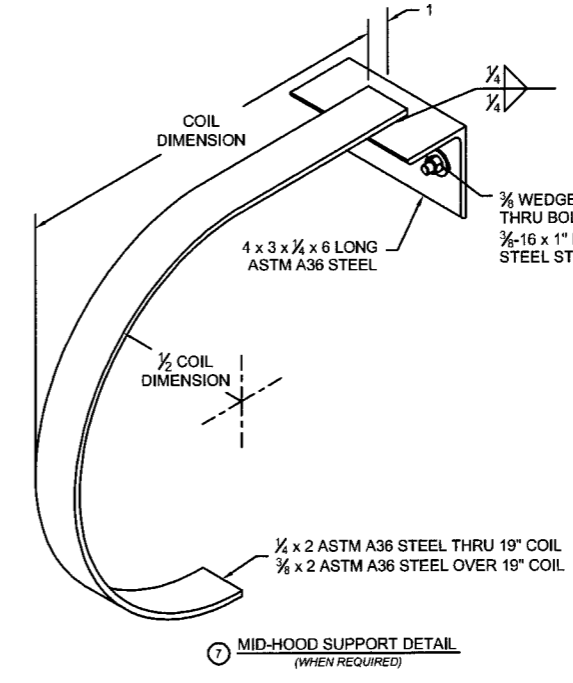


BRACKET MOUNTING DETAIL

0.172 MIN. THICKNESS
* 2" EXTENSION WHEN 8" AND LARGER SHAFT ASSEMBLY IS SUPPLIED



BRACKET MOUNTING / TOP WALL ANGLE FASTENING
BRACKET MOUNTING PER DETAIL 6 DEPICTED.
OTHER BRACKET MOUNTINGS ARE AVAILABLE



**MID-HOOD SUPPORT DETAIL
(WHEN REQUIRED)**

Approved as complying with the
Florida Building Code
Date 08/27/08
NOA# 08-0529-0P
Miami Dade Product Control
Division
By *[Signature]*

[Signature]
8/18/08
FL 7768

CORNELL 100 ELMWOOD AVENUE
CRESTWOOD INDUSTRIAL PARK
MOUNTAINTOP, PA 18707

TITLE
DADE COUNTY APPROVED
14'-5" 60 PSF UNINSULATED
ROLLING STEEL DOOR

SIZE D	DRAWN R. MAGGIO	DWG NO ES16-37-02	REV A
-----------	--------------------	----------------------	----------

SCALE 1:4 SHEET 2 OF 2