



**BUILDING CODE COMPLIANCE OFFICE (BCCO)
PRODUCT CONTROL DIVISION**

**MIAMI-DADE COUNTY, FLORIDA
METRO-DADE FLAGLER BUILDING
140 WEST FLAGLER STREET, SUITE 1603
MIAMI, FLORIDA 33130-1563
(305) 375-2901 FAX (305) 372-6339**

NOTICE OF ACCEPTANCE (NOA)

www.maimidade.gov/buildingcode

**AWP, LLC
8130 NW 74th Avenue
Medley, FL 33166**

SCOPE:

This NOA is being issued under the applicable rules and regulations governing the use of construction materials. The documentation submitted has been reviewed by Miami-Dade County Product Control Division and accepted by the Board of Rules and Appeals (BORA) to be used in Miami Dade County and other areas where allowed by the Authority Having Jurisdiction (AHJ).

This NOA shall not be valid after the expiration date stated below. The Miami-Dade County Product Control Division (In Miami Dade County) and/or the AHJ (in areas other than Miami Dade County) reserve the right to have this product or material tested for quality assurance purposes. If this product or material fails to perform in the accepted manner, the manufacturer will incur the expense of such testing and the AHJ may immediately revoke, modify, or suspend the use of such product or material within their jurisdiction. BORA reserves the right to revoke this acceptance, if it is determined by Miami-Dade County Product Control Division that this product or material fails to meet the requirements of the applicable building code. This product is approved as described herein, and has been designed to comply with the Florida Building Code, including the High Velocity Hurricane Zone.

DESCRIPTION: Series 440 Aluminum Fixed Window – L.M.I.

APPROVAL DOCUMENT: Drawing No. **W08-87**, titled “Series 440 Aluminum Fixed Wdw. (L.M.I.)”, sheets 1 through 3 of 3, dated 10/28/08, prepared by Al-Farooq Corporation, signed and sealed by Humayoun Farooq, P.E., bearing the Miami-Dade County Product Control Approval stamp with the Notice of Acceptance number and approval date by the Miami-Dade County Product Control Division.

MISSILE IMPACT RATING: Large and Small Missile Impact Resistant

LABELING: Each unit shall bear a permanent label with the manufacturer's name or logo, city, state and following statement: "Miami-Dade County Product Control Approved", unless otherwise noted herein.

RENEWAL of this NOA shall be considered after a renewal application has been filed and there has been no change in the applicable building code negatively affecting the performance of this product.

TERMINATION of this NOA will occur after the expiration date or if there has been a revision or change in the materials, use, and/or manufacture of the product or process. Misuse of this NOA as an endorsement of any product, for sales, advertising or any other purposes shall automatically terminate this NOA. Failure to comply with any section of this NOA shall be cause for termination and removal of NOA.

ADVERTISEMENT: The NOA number preceded by the words Miami-Dade County, Florida, and followed by the expiration date may be displayed in advertising literature. If any portion of the NOA is displayed, then it shall be done in its entirety.

INSPECTION: A copy of this entire NOA shall be provided to the user by the manufacturer or its distributors and shall be available for inspection at the job site at the request of the Building Official. This NOA consists of this page 1 and evidence page E-1, as well as approval document mentioned above. The submitted documentation was reviewed by **Manuel Perez, P.E.**



**NOA No. 08-1030.08
Expiration Date: January 1, 2014
Approval Date: January 1, 2009
Page 1**

NOTICE OF ACCEPTANCE: EVIDENCE SUBMITTED

A. DRAWINGS

1. Manufacturer's die drawings and sections.
2. Drawing No **W08-87**, Sheets 1 through 3 of 3, titled "Series 440 Aluminum Fixed Wdw. (L.M.I.)", dated 10/28/08, prepared by Al-Farooq Corporation, signed and sealed by Humayoun Farooq, P.E.

B. TESTS

1. Test reports on:
 - 1) Air Infiltration Test, per FBC, TAS 202-94
 - 2) Uniform Static Air Pressure Test, Loading per FBC TAS 202-94
 - 3) Water Resistance Test, per FBC, TAS 202-94
 - 4) Large Missile Impact Test per FBC, TAS 201-94
 - 5) Cyclic Wind Pressure Loading per FBC, TAS 203-94
 - 6) Forced Entry Test, per FBC 2411 3.2.1, TAS 202-94along with marked-up drawings and installation diagram of a series "Impact View" aluminum fixed window, prepared by Fenestration Testing Laboratory, Inc., Test Report No. **FTL-5625**, dated 07/12/08, signed and sealed by Carlos S. Rionda, P.E.

C. CALCULATIONS

1. Anchor verification calculations and structural analysis, complying with FBC-2004 and 2007, prepared by Al-Farooq Corporation, dated 10/27/08, signed and sealed by Humayoun Farooq, P.E.
Complies with ASTM E1300-02/04

D. QUALITY ASSURANCE

1. Miami Dade Building Code Compliance Office (BCCO).

E. MATERIAL CERTIFICATIONS

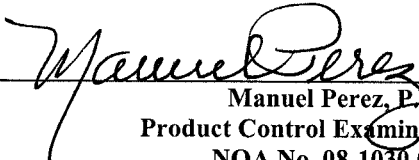
1. Notice of Acceptance No. **06-0216.06** issued to **Solutia, Inc.** for their "**Saflex IIIIG Clear or colored Interlayer**" dated 05/04/06, expiring on 05/21/11.

F. STATEMENTS

1. Statement letter of conformance, dated October 27, 2008, signed and sealed by Humayoun Farooq, P.E.
2. Statement letter of no financial interest, dated October 27, 2008, signed and sealed by Humayoun Farooq, P.E.

G. OTHER

1. None.


Manuel Perez, P.E.
Product Control Examiner
NOA No. 08-1030.08
Expiration Date: January 1, 2014
Approval Date: January 1, 2009

DESIGN LOAD CAPACITY - PSF					
WINDOW DIMS.		ANCHORS TYPE 'A'		ANCHORS TYPE 'B'	
WIDTH	LENGTH	EXT. (+)	INT. (-)	EXT. (+)	INT. (-)
36"	50-5/8"	80.0	120.0	80.0	120.0
37"		77.8	116.8	77.8	116.8
42"		68.6	102.9	68.6	102.9
48"		60.0	90.0	60.0	90.0
53-1/8"		57.2	85.8	57.2	85.8
36"	63"	80.0	113.1	80.0	120.0
37"		77.8	111.2	77.8	116.8
42"		68.6	102.9	68.6	102.9
48"		60.0	90.0	60.0	90.0
53-1/8"		54.2	81.3	54.2	81.3
36"	74-1/4"	80.0	120.0	80.0	120.0
37"		77.8	116.8	77.8	116.8
42"		68.6	102.9	68.6	102.9
36"	80"	80.0	109.4	80.0	120.0
37"		77.8	107.3	77.8	116.8
42"		68.6	98.6	68.6	102.9
36"	84"	80.0	102.8	80.0	120.0
37"		77.8	100.8	77.8	116.8
36"	95"	80.0	99.1	80.0	120.0

NOTE:
GLASS CAPACITIES ON THIS SHEET ARE
BASED ON ASTM E1300-02/04 (3 SEC. GUSTS).

SERIES 440 ALUMINUM FIXED WINDOW

DESIGN LOAD RATINGS FOR THESE WINDOWS TO BE AS PER
CHART SHOWN ABOVE.

APPROVAL APPLIES TO SINGLE UNITS OR SIDE BY SIDE COMBINATIONS
OF FIX./FIX. OR FIXED WDW. WITH OTHER MIAMI-DADE COUNTY
APPROVED WINDOWS USING MIAMI-DADE COUNTY APPROVED MULLIONS
IN BETWEEN.
LOWER DESIGN PRESSURE FROM WINDOWS OR MULLION APPROVAL
WILL APPLY TO ENTIRE SYSTEM.

THIS PRODUCT HAS BEEN DESIGNED AND TESTED TO COMPLY WITH THE
REQUIREMENTS OF THE FLORIDA BUILDING CODE 2004/2007 EDITION INCLUDING
HIGH VELOCITY HURRICANE ZONE (HVHZ).

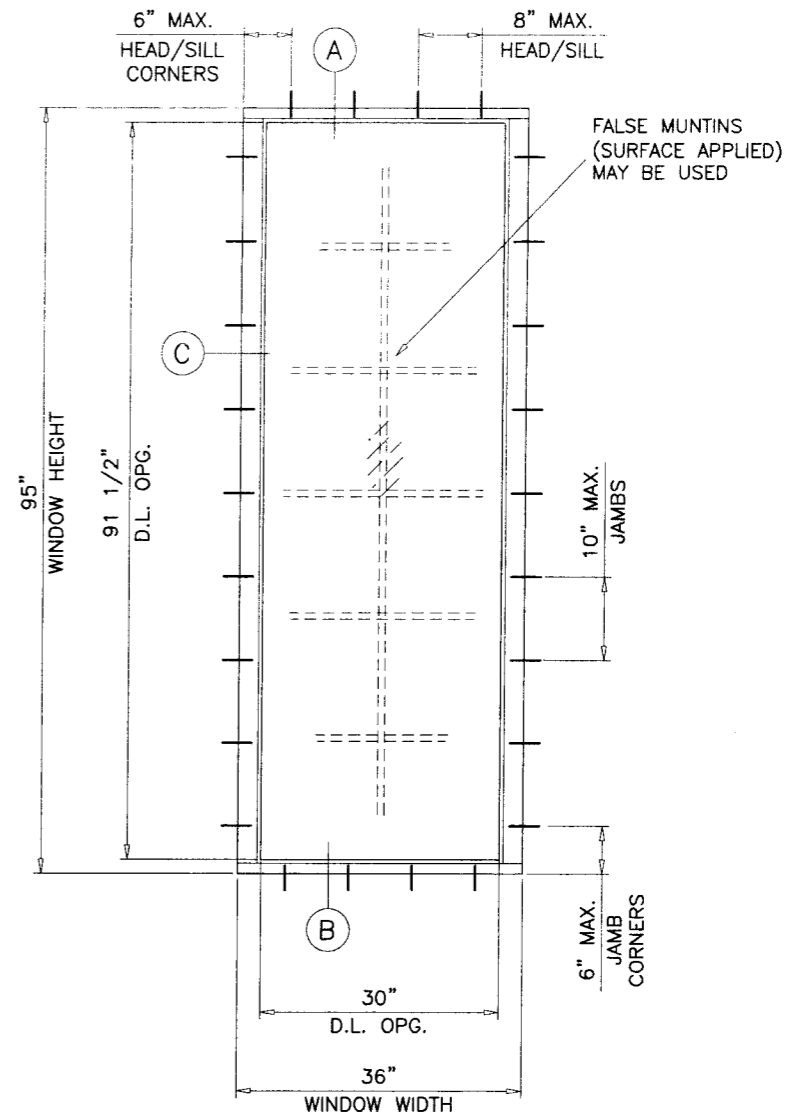
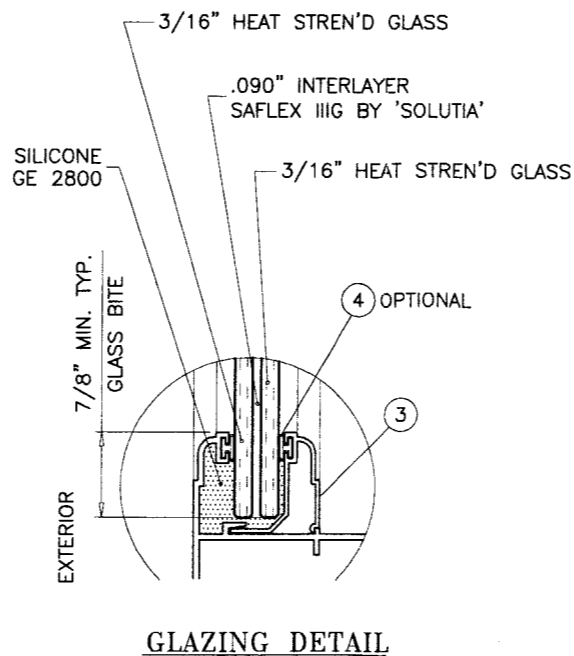
WOOD BUCKS BY OTHERS, MUST BE ANCHORED PROPERLY TO TRANSFER
LOADS TO THE STRUCTURE.

ANCHORS SHALL BE AS LISTED, SPACED AS SHOWN ON DETAILS, ANCHORS
EMBEDMENT TO BASE MATERIAL SHALL BE BEYOND WALL DRESSING OR STUCCO.

ANCHORING OR LOADING CONDITIONS NOT SHOWN IN THESE DETAILS
ARE NOT PART OF THIS APPROVAL.

A LOAD DURATION INCREASE IS USED IN DESIGN OF ANCHORS INTO WOOD ONLY.

MATERIALS INCLUDING BUT NOT LIMITED TO STEEL/METAL SCREWS, THAT COME INTO
CONTACT WITH OTHER DISSIMILAR MATERIALS SHALL MEET THE REQUIREMENTS
OF 2004/2007 FLORIDA BLDG. CODE SECTION 2003.8.4.



TYPICAL ELEVATION
TESTED UNIT

THESE WINDOWS ARE RATED FOR LARGE MISSILE IMPACT.
SHUTTERS ARE NOT REQUIRED.

Engr: DR. HUMAYOUN FAROOQ
STRUCTURES
FLA. PE # 16557
C.A.N. 3538

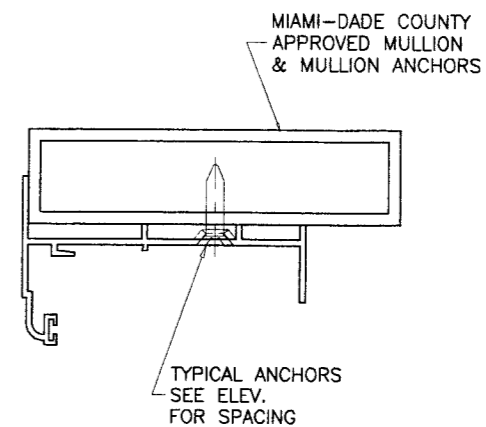
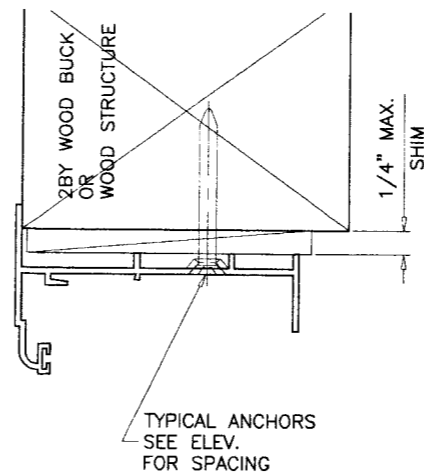
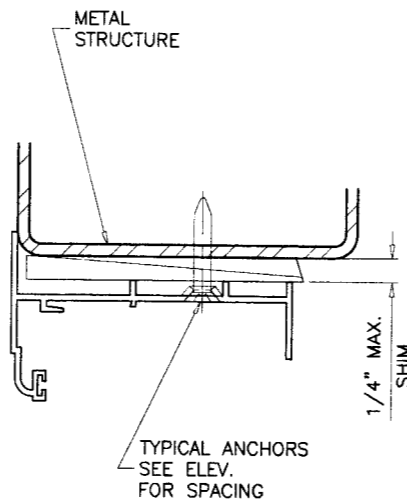
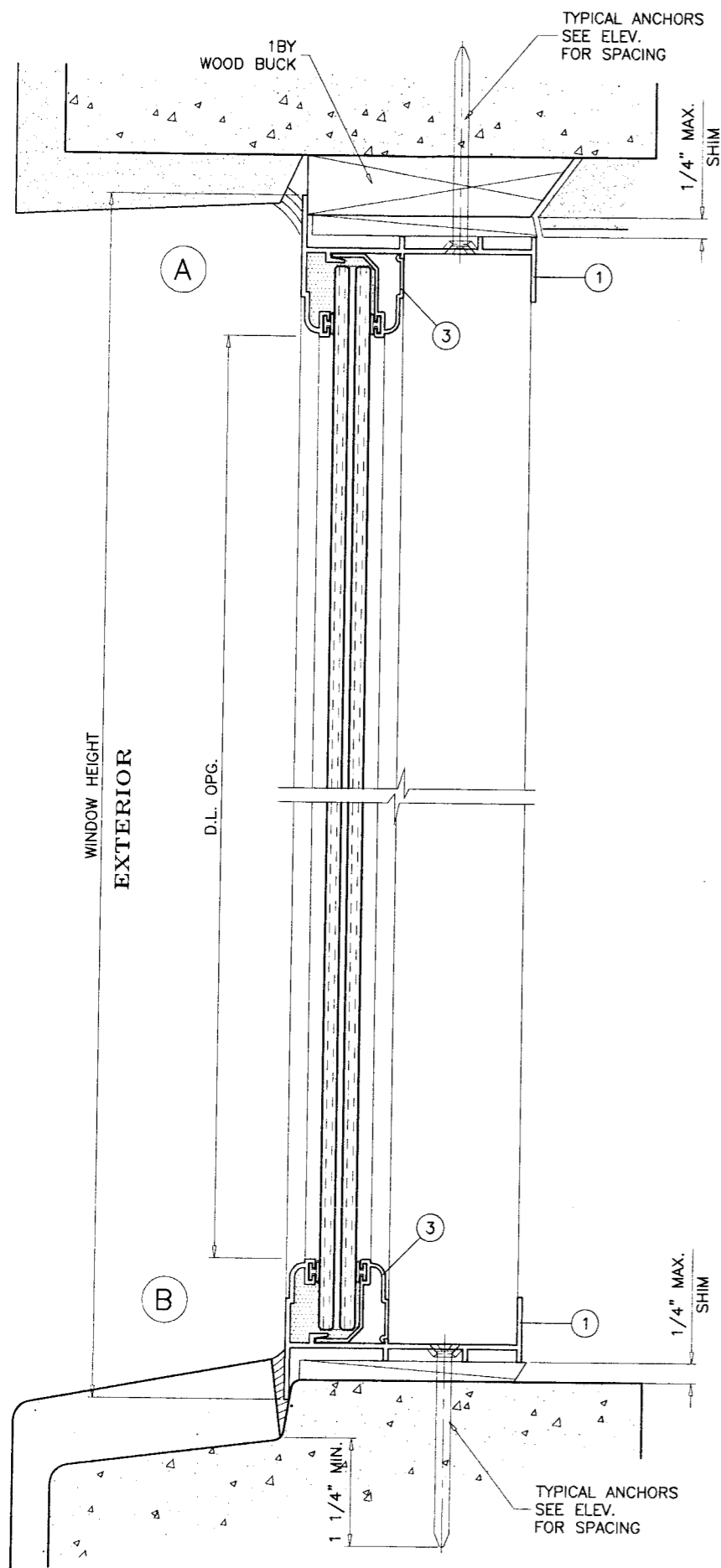
Approved as complying with the
Florida Building Code
Date JAN 1 2009
NOA# 08-1030.08
Miami Dade Product Control
Division
By Maunel Perez

OCT 29 2008

af c
AL-FAROOQ CORPORATION
ENGINEERS & PRODUCT DEVELOPMENT
12335 S.W. 87 AVE
MIAMI, FLORIDA 33174
TEL. (305) 264-8100 FAX. (305) 262-6978
COMP-ANL\W08-87AWP

SERIES 440 ALUMINUM FIXED WDW. (L.M.I.)
AWP, LLC.
8130 N.W. 74TH AVE.
MEDLEY, FL. 33166
TEL. (305) 887-2646 FAX (305) 883-1309

revisions:	no	date	by	description
date:	10-28-08	scale:	1/2"=1'-0"	dr. by:
				HAMID
				chk. by:
drawing no.		W08-87		
sheet		1 of 3		



WOOD BUCKS AND METAL STRUCTURE NOT BY AWP WDW. MUST SUSTAIN LOADS IMPOSED BY GLAZING SYSTEM AND TRANSFER THEM TO THE BUILDING STRUCTURE.

TYPICAL ANCHORS: SEE ELEV. FOR SPACING

ANCHORS TYPE 'A'

1/4" TAPCONS

INTO 2BY WOOD BUCKS OR WOOD STRUCTURES
1-3/8" MIN. PENETRATION INTO WOOD

THRU 1BY BUCKS INTO CONC. OR MASONRY
1-1/4" MIN. EMBED INTO CONC. OR MASONRY

DIRECTLY INTO CONC. OR MASONRY
1-1/4" MIN. EMBED INTO CONC. OR MASONRY

ANCHORS TYPE 'B'

1/4" DIA. ULTRACON BY 'ELCO' (Fu=177 KSI, Fy=155 KSI)

INTO 2BY WOOD BUCKS OR WOOD STRUCTURES
1-1/2" MIN. PENETRATION INTO WOOD

THRU 1BY BUCKS INTO CONC. OR MASONRY
1-1/4" MIN. EMBED INTO CONC. OR MASONRY

DIRECTLY INTO CONC. OR MASONRY
1-1/4" MIN. EMBED INTO CONC. OR MASONRY

#14 SMS OR SELF DRILLING SCREWS (GRADE 2 CRS)

INTO METAL STRUCTURES

STEEL : 12 GA. MIN. (Fy = 36 KSI MIN.)

ALUMINUM : 1/8" THK. MIN. (6063-T5 MIN.)

(STEEL IN CONTACT WITH ALUMINUM TO BE PLATED OR PAINTED)

#12 SMS OR SELF DRILLING SCREWS

INTO MIAMI-DADE COUNTY APPROVED MULLIONS (MIN. THK. = .090")
(NO SHIM SPACE)

TYPICAL EDGE DISTANCE

INTO CONCRETE AND MASONRY = 2-1/2" MIN.

INTO WOOD STRUCTURE = 1" MIN.

INTO METAL STRUCTURE = 3/4" MIN.

CONCRETE f'c = 3000 PSI MIN.

MASONRY f'm = 1500 PSI MIN.

SEALANTS:

FRAME CORNERS AND INSTALLATION SCREWS AT SILL
SEALED WITH WHITE/ALUMINUM COLORED SEALANT.

afc

AL-FAROOQ CORPORATION
ENGINEERS & PRODUCT DEVELOPMENT
1235 S.W. 87 AVE
MIAMI, FLORIDA 33174
TEL. (305) 264-8100 FAX. (305) 262-6978

COMP-ANL\W08-87AWP

SERIES 440 ALUMINUM FIXED WDW. (L.M.I.)

AWP, LLC.

8130 N.W. 74TH AVE.

MEDLEY, FL. 33166

TEL. (305) 887-2646 FAX (305) 883-1309

revisions:
no. date by description

date: 10-28-08

scale: 1/2" = 1"

dr. by: HAMID

chk. by:

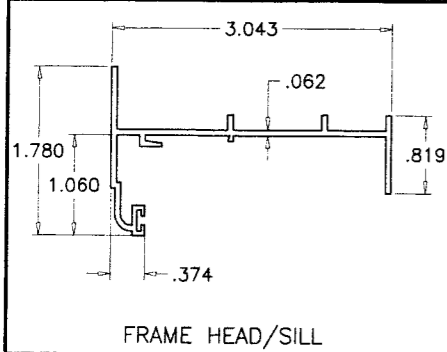
Engr: DR. HUCMAYOUN FAROOQ
STRUCTURES
FLA. PE # 18557
C.A.N. 3538

OCT 29 2008

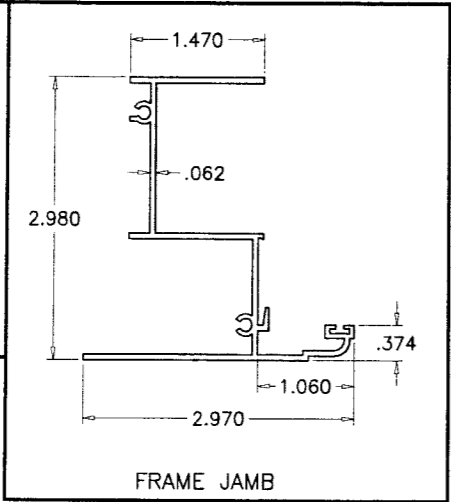
Approved as complying with the
Florida Building Code
Date JAN. 1, 2009
NOAR 08-1030.08
Miami Dade Product Control
Division
By: *Marcus Perry*

drawing no.
W08-87

sheet 2 of 3

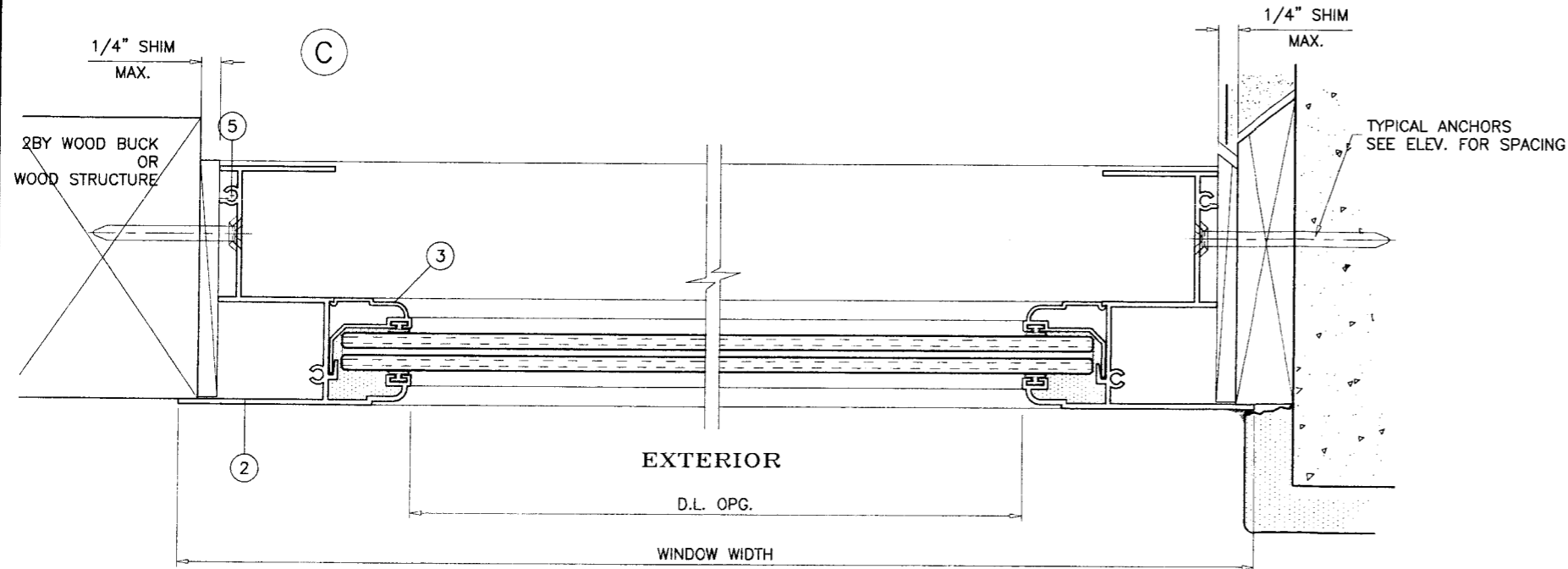
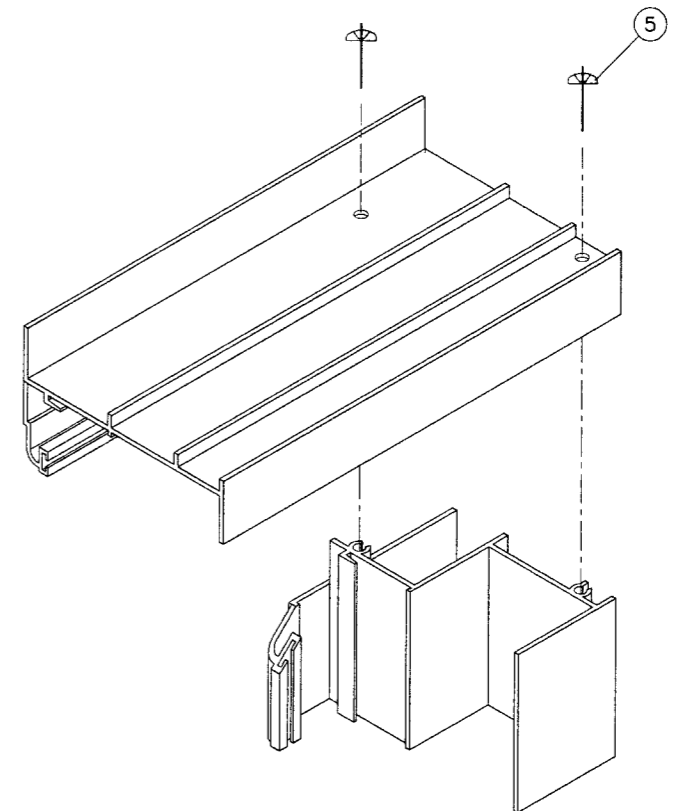
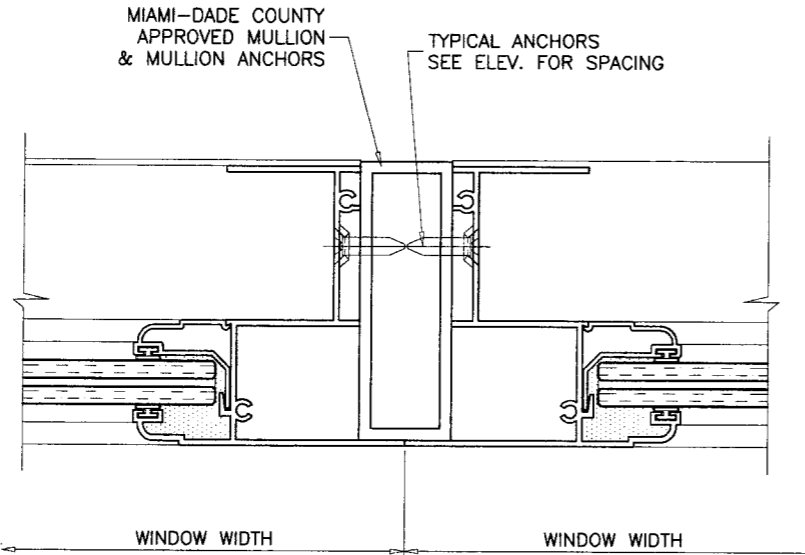
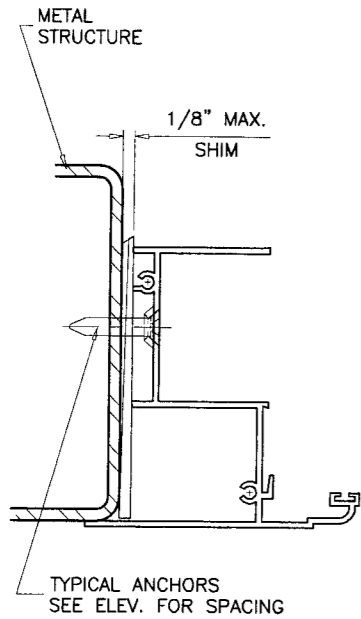


FRAME HEAD/SILL



FRAME JAMB

ITEM #	PART #	REQD.	DESCRIPTION	MATERIAL	MANF./SUPPLIER/REMARKS
1	YE-1700	1	FRAME HEAD/SILL	6063-T5	-
2	YE-1702	2	FRAME JAMB	6063-T5	-
3	YE-1707	AS REQD.	GLAZING BEAD	6063-T5	-
4	YH-622	AS REQD.	GLAZING BULB VINYL	-	SULLIVAN & SULLIVAN
5	YF-10	AS REQD.	FRAME ASSEMBLY SCREWS	-	#8 X 1" P.H. SMS



Engr: DR. HUMAYOUN FAROOQ
STRUCTURES
FLA. PE # 18557
C.A.N. 3538

OCT 29 2008

Approved as complying with the
Florida Building Code
Date: JAN. 1, 2009
FOA# 08-1030-08
Miami Dade Product Control
Division
By: *Manuel Perez*

af c
AL-FAROOQ CORPORATION
ENGINEERS & PRODUCT DEVELOPMENT
1235 S.W. 87 AVE
MIAMI, FLORIDA 33174
TEL. (305) 264-8100 FAX. (305) 262-6978
COMP-ANL\W08-87AWP

SERIES 440 ALUMINUM FIXED WDW. (L.M.I.)
AWP, LLC.
8130 N.W. 74TH AVE.
MEDLEY, FL. 33166
TEL. (305) 887-2646 FAX (305) 883-1309

revisions:	no	date	by	description

date: 10-28-08
scale: 1/2" = 1"
dr. by: HAMID
chk. by:

drawing no.
W08-87

sheet 3 of 3