



**BUILDING CODE COMPLIANCE OFFICE (BCCO)
PRODUCT CONTROL DIVISION**

**MIAMI-DADE COUNTY, FLORIDA
METRO-DADE FLAGLER BUILDING
140 WEST FLAGLER STREET, SUITE 1603
MIAMI, FLORIDA 33130-1563
(305) 375-2901 FAX (305) 375-2908**

NOTICE OF ACCEPTANCE (NOA)

**Cornell Iron Works, Inc.
100 Elmwood Avenue
Mountaintop, PA 18707**

SCOPE: This NOA is being issued under the applicable rules and regulations governing the use of construction materials. The documentation submitted has been reviewed by Miami-Dade County Product Control Division and accepted by the Board of Rules and Appeals (BORA) to be used in Miami Dade County and other areas where allowed by the Authority Having Jurisdiction (AHJ).

This NOA shall not be valid after the expiration date stated below. The Miami-Dade County Product Control Division (In Miami Dade County) and/or the AHJ (in areas other than Miami Dade County) reserve the right to have this product or material tested for quality assurance purposes. If this product or material fails to perform in the accepted manner, the manufacturer will incur the expense of such testing and the AHJ may immediately revoke, modify, or suspend the use of such product or material within their jurisdiction. BORA reserves the right to revoke this acceptance, if it is determined by Miami-Dade County Product Control Division that this product or material fails to meet the requirements of the applicable building code.

This product is approved as described herein, and has been designed to comply with the High Velocity Hurricane Zone of the Florida Building Code.

DESCRIPTION: 25'- 4" Rolling Steel Door

APPROVAL DOCUMENT: Drawing No. ES16-3-01 & ES16-3-02, titled DADE COUNTY APPROVAL ROLLING STEEL DOOR, sheets 1 & 2, prepared by Cornell Iron Works, Inc., signed sealed by J. H. Dixon Jr. PE, dated 06/27/02 with last revision on 10/08/08, bearing the Miami-Dade County Product Control Revision stamp with the Notice of Acceptance number and expiration date by the Miami-Dade County Product Control Division.

MISSILE IMPACT RATING: Large and Small Missile Impact

LABELING: Each unit shall bear a permanent label with the manufacturer's name or logo, city, state and following statement: "Miami-Dade County Product Control Approved", unless otherwise noted herein.

RENEWAL of this NOA shall be considered after a renewal application has been filed and there has been no change in the applicable building code negatively affecting the performance of this product.

TERMINATION of this NOA will occur after the expiration date or if there has been a revision or change in the materials, use, and/or manufacture of the product or process. Misuse of this NOA as an endorsement of any product, for sales, advertising or any other purposes shall automatically terminate this NOA. Failure to comply with any section of this NOA shall be cause for termination and removal of NOA.

ADVERTISEMENT: The NOA number preceded by the words Miami-Dade County, Florida, and followed by the expiration date may be displayed in advertising literature. If any portion of the NOA is displayed, then it shall be done in its entirety.

INSPECTION: A copy of this entire NOA shall be provided to the user by the manufacturer or its distributors and shall be available for inspection at the job site at the request of the Building Official.

This NOA revises NOA # **07-0816.05** and consists of this page, evidence page E 1 as well as approval document mentioned above.

The submitted documentation was reviewed by **Mohammed Iqbal Shaikh, PE.**



**NOA No 09-0210.06
Expiration Date: December 19, 2012
Approval Date: April 01, 2009**

Cornell Iron Works, Inc.

NOTICE OF ACCEPTANCE: EVIDENCE SUBMITTED

A. DRAWINGS

1. Drawing No. ES16-3-01 & ES16-3-02, prepared by Cornell Iron Works, Inc, titled Dade County Approval Rolling Steel Door, dated 06/27/02, with last revision on 10/08/08, sheets 1 & 2 signed and sealed by J.H. Dixon Jr, PE.

B. TESTS (Submitted under NOA # 07-0816.05)

1. Test report on Large Missile Impact Test per PA 201, Cyclic Wind Pressure Test per PA 203 and Uniform Static Air Pressure Test per PA 202 on a " Steel Roll-Up Service Door", prepared by Architectural Testing, Inc., report No. 01-39587.05, dated 04/30/02, signed and sealed by A. N. Reeves, PE.
2. Test report Tension Test per ASTM E8 on 0.036" Galvanized Steel, prepared by Architectural Testing Inc., report No. 01-39587.06, dated 04/30/02, signed and sealed by A. N. Reeves, PE.

C. CALCULATIONS

1. Structural Calculations prepared by Joseph H. Dixon, Jr. PE, dated 01/30/09, sheets 1 through 17, signed and sealed by J.H. Dixon Jr, PE.

D. QUALITY ASSURANCE

1. Miami-Dade Building Code Compliance Office

E. MATERIAL CERTIFICATIONS

N/A

F. STATEMENTS

1. Code Compliance letter and no financial interest letters issued by Joseph H. Dixon Jr, dated 01/30/09, signed J. H. Dixon Jr, PE.
2. Revision submittal letter issued by Joseph H. Dixon Jr, dated 02/03/09, signed J. H. Dixon Jr, PE.

F. OTHER

1. NOA # 07-0816.05



Mohammed Iqbal Shaikh, PE
Sr. Building Code Compliance Specialist
NOA No 09-0210.06
Expiration Date: December 19, 2012
Approval Date: April 01, 2009

REV	REVISION	DATE	BY	E.C.O.
*	ORIGINAL ISSUE	06/27/02	BRK	0845
A	ADDED DRAWING NUMBER	11/04/02	BRK	0845
B	ADDED NOTE 10	06/13/2005	R.M.	1197
C	REVISED PER DADE COUNTY NOTES	05/15/2006	R.M.	1197
D	REVISED NOTE 1 TO INCLUDE 2005 & 2006 SUPPLEMENTS	07/30/2007	R.M.	****
E	REVISED FOR 2007 FLORIDA BUILDING CODE	10/06/2008	BPR	****

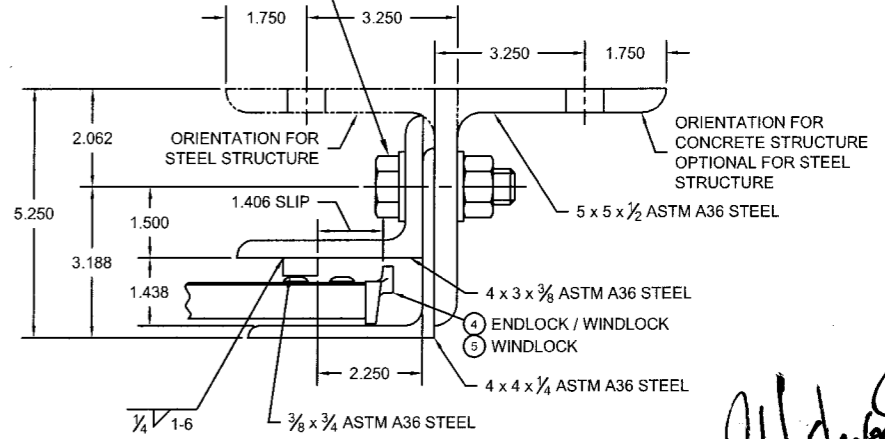
ROLL-UP MECHANISM NOT INCLUDED IN THIS APPROVAL. MUST BE CERTIFIED BY AN INDEPENDENT TESTING AGENCY IF REQUIRED.

OPERATION:
PUSH-UP
CHAIN (SHOWN)
CRANK
MOTOR

BRACKET

CLEAR OPENING HEIGHT
30'-0" MAXIMUM

3/4-10 x 2-1/2" SAE GR. 8, ASTM A325, OR A490 HEX HEAD BOLT,
3/4-10 NUT AND 3/4" HARDENED FLAT WASHERS AT 15" O.C.

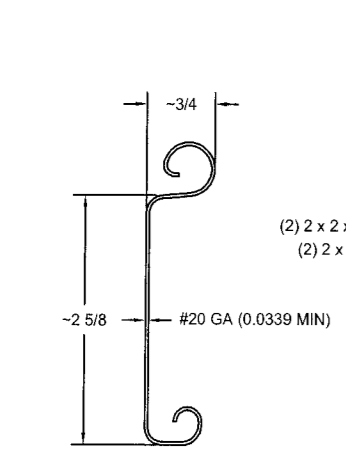
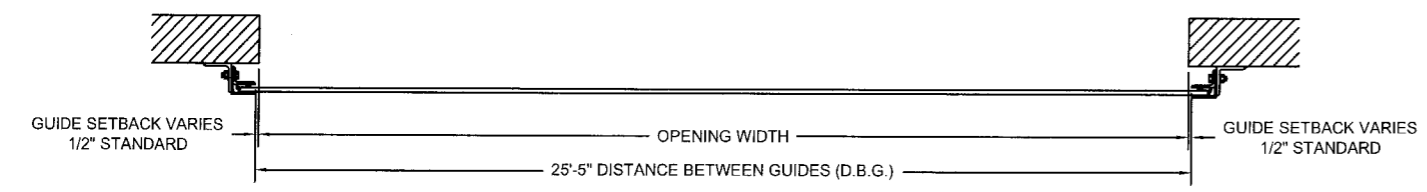
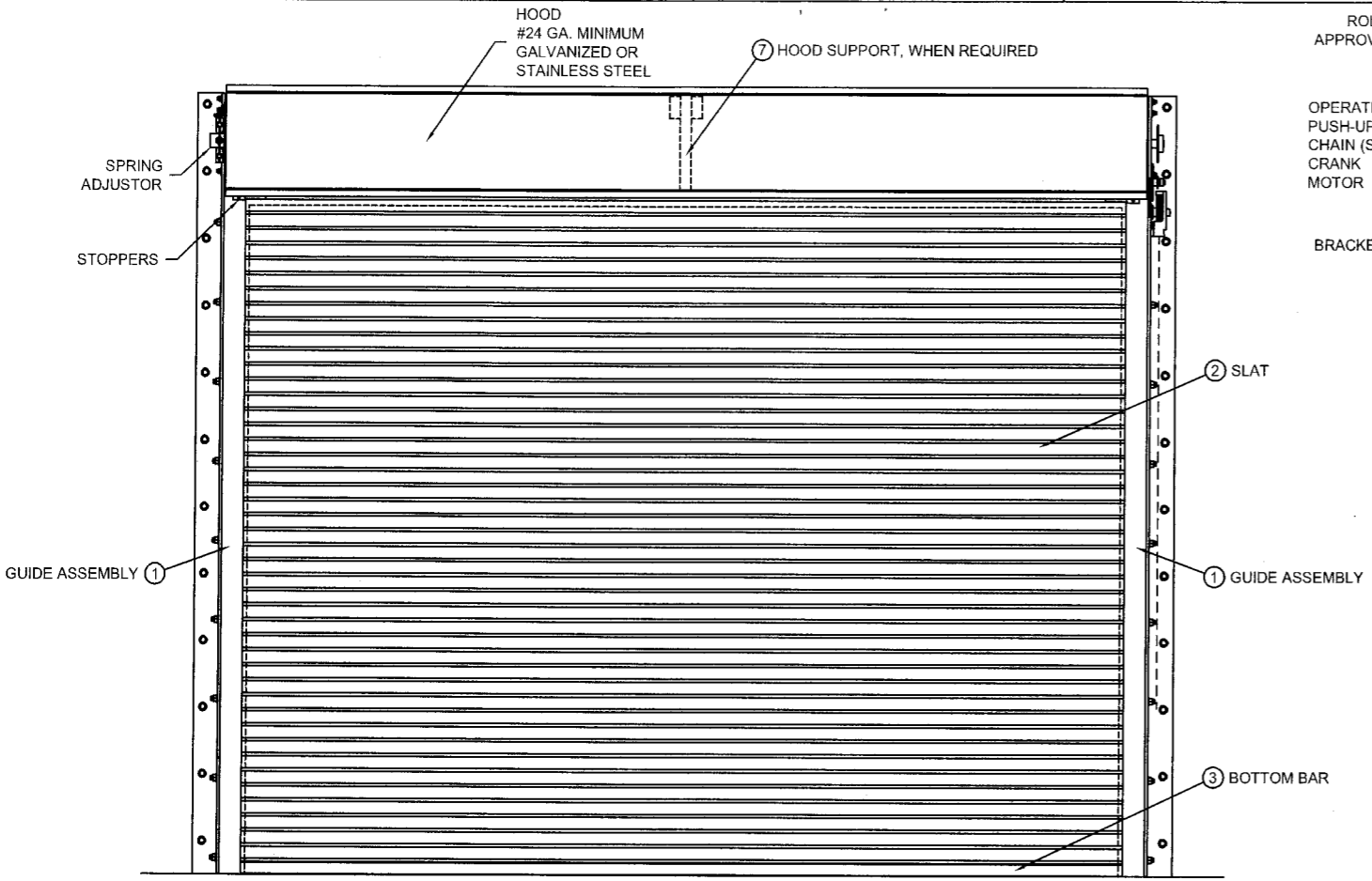


① GUIDE ASSEMBLY DETAIL
1/2 SCALE

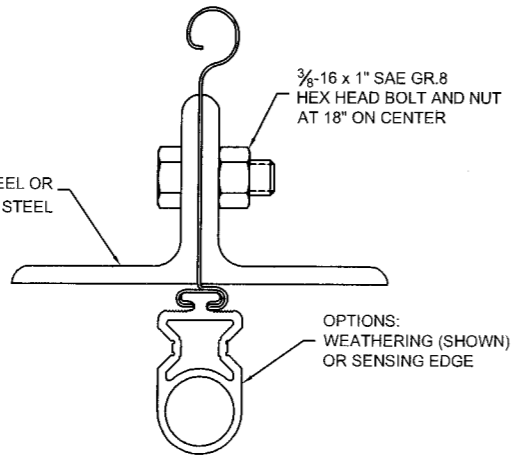
Handwritten signature and date:
1/30/09
FL 7708

PRODUCT REVISED
as complying with the Florida Building Code
Acceptance No. 09-0210-06
Expiration Date 12/19/2012
By M. Shank
Miami Dade Product Control Division

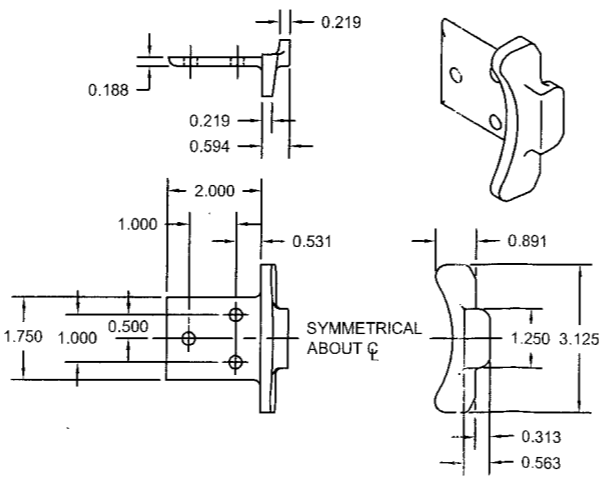
- NOTES:
- THIS ROLL-UP DOOR SYSTEM IS DESIGNED IN ACCORDANCE WITH THE LATEST EDITION FLORIDA BUILDING CODE, AS A LARGE MISSILE IMPACT RESISTANT SYSTEM.
 - POSITIVE AND NEGATIVE DESIGN PRESSURE CALCULATIONS SHALL BE PERFORMED FOR SPECIFIC JOBS IN ACCORDANCE WITH ASCE 7 - MINIMUM DESIGN LOADS FOR BUILDINGS AND OTHER STRUCTURES - WIND LOADS DETERMINED FOR OPENINGS SHALL BE LESS THAN OR EQUAL TO DOOR DESIGN PRESSURES NOTED BELOW.
POSITIVE DESIGN LOAD = 60 PSF
NEGATIVE DESIGN LOAD = 60 PSF
 - THE DETAILS AND SPECIFICATIONS SHOWN HEREIN REPRESENT THE PRODUCTS TESTED FOR UNIFORM STATIC AIR PRESSURE IN CONFORMANCE WITH DADE COUNTY PROTOCOLS TAS 201, 202 AND 203.
POSITIVE DESIGN LOAD = 60 PSF
NEGATIVE DESIGN LOAD = 60 PSF
 - TESTING PERFORMED BY ARCHITECTURAL TESTING, INC. (YORK, PENNSYLVANIA) TEST REPORT No. 01-39587.05 AND 01-39587.06.
 - SUPERIMPOSED LOADS ON THE JAMBS FROM THIS DOOR ARE DESIGNATED AS F1, F2, AND F3 HEREIN. CONTRACTORS SHALL HAVE FLORIDA REGISTERED PROFESSIONAL ENGINEER VERIFY ADEQUACY OF BUILDING STRUCTURE TO RESIST SUPERIMPOSED LOAD F1, F2, AND F3.
 - ALL WELDING SHALL BE PERFORMED BY QUALIFIED WELDERS IN ACCORDANCE WITH AWS SPECIFICATIONS, LATEST EDITION. ALL WELDING ELECTRODES SHALL CONFORM TO AWS A5.1, GRADE E-70. MINIMUM WELDING PROCESS SHALL BE ARC WELDING AWS E7014 OR MIG WELDING AWS E705-6.
 - ANCHOR NOTES:
A. EMBEDMENT DEPTH DOES NOT INCLUDE STUCCO FINISH.
B. ANCHORS SHALL BE INSTALLED IN ACCORDANCE WITH MANUFACTURERS SPECIFICATIONS.
 - DOOR MAY BE INSTALLED ON THE INSIDE OR OUTSIDE OF AN EXTERIOR WALL.
 - A 33% INCREASE IN ALLOWABLE STRESS HAS NOT BEEN USED IN THE DESIGN OF THIS PRODUCT.



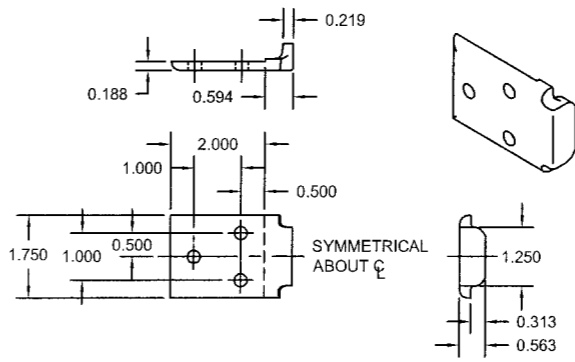
② SLAT DETAIL
TYPICAL SECTION
ASTM A653 HSLAS TYPE B GRADE 40 G60 OR
ASTM A653 HSLAS TYPE A GRADE 40 G60 OR
ASTM A653 STRUCTURAL STEEL GRADE 40 G60
OR TYPE 304 / UNS S30400 STAINLESS STEEL (MIN. YIELD 40,000 psi)
OR TYPE 430 / UNS S43000 STAINLESS STEEL (MIN. YIELD 40,000 psi)
OR TYPE 201 / UNS S20100 STAINLESS STEEL (MIN. YIELD 40,000 psi)
FULL SCALE



③ BOTTOM BAR DETAIL
TYPICAL SECTION
FULL SCALE



④ ENDLOCK / WINDLOCK DETAIL
FERRITIC MALLEABLE IRON PER ASTM A47 - GRADE 32510
OR DUCTILE IRON PER ASTM A536 GRADE 65-45-12, GALVANIZED
IN ACCORDANCE WITH ASTM A153, G90 ZINC-COATING.
1/2 SCALE



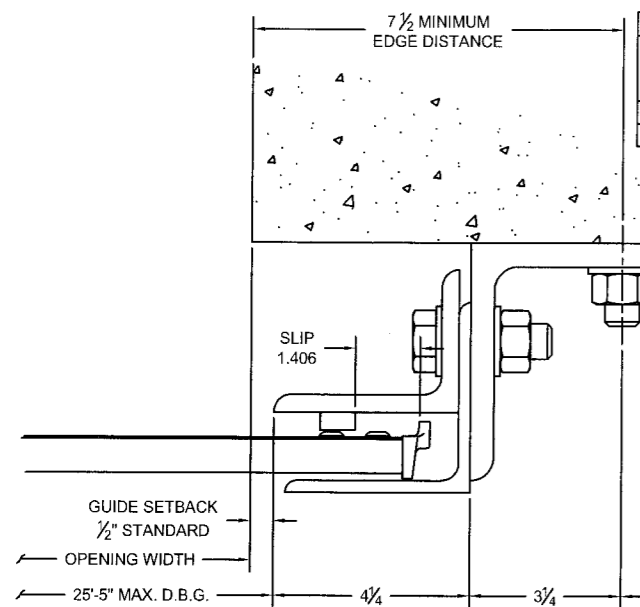
⑤ WINDLOCK DETAIL
FERRITIC MALLEABLE IRON PER ASTM A47 - GRADE 32510
OR DUCTILE IRON PER ASTM A536 GRADE 65-45-12, GALVANIZED
IN ACCORDANCE WITH ASTM A153, G90 ZINC-COATING.
1/2 SCALE

CORNELL 100 ELMWOOD AVENUE
CRESTWOOD INDUSTRIAL PARK
MOUNTAINTOP, PA 18707

TITLE
DADE COUNTY APPROVED
ROLLING STEEL DOOR

SIZE	DRAWN	DWG NO	REV
D	B. KATCHUR	ES16-3-01	E
SCALE	AS NOTED		SHEET 1 OF 2

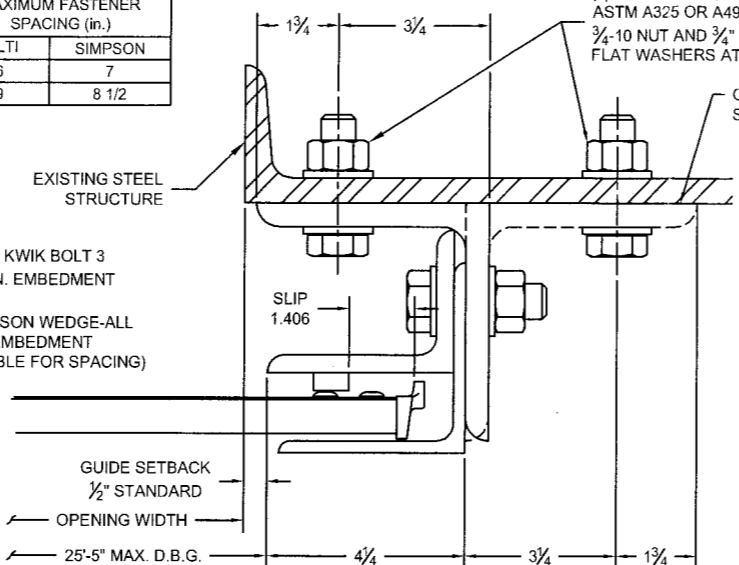
LTR	REVISION	DATE	BY	E.C.O.
*	ORIGINAL ISSUE	06/27/02	BRK	0945
A	ADDED DRAWING NUMBER, ADDED SLIP TO GUIDE DETAILS	11/04/02	BRK	0945
B	REVISED MASONRY FASTENERS.	06/13/2005	R.M.	1197
C	REVISED PER DADE COUNTY	05/15/2006	R.M.	1197
D	REVISED NOTES ON PAGE 1	07/30/2007	R.M.	****
E	REVISED FOR 2007 FLORIDA BUILDING CODE	10/08/2008	BPR	****



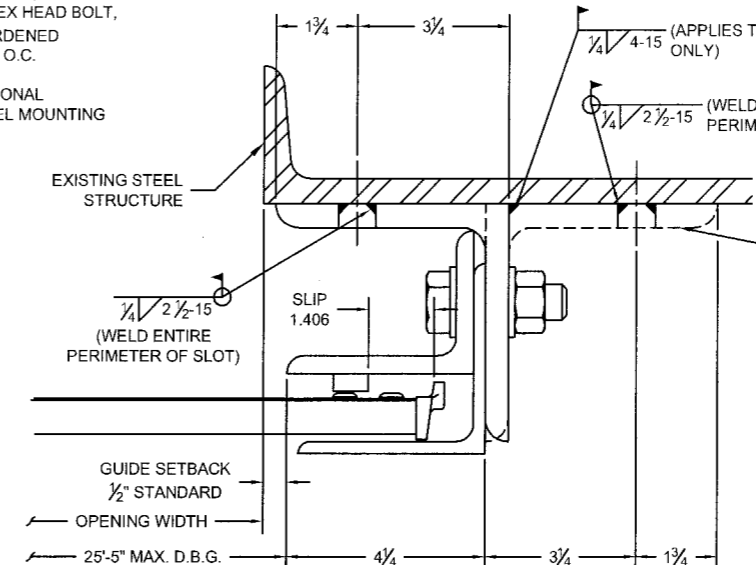
GUIDE ASSEMBLY
CONCRETE STRUCTURE

CONCRETE STRENGTH (psi)	MAXIMUM FASTENER SPACING (in.)	
	HILTI	SIMPSON
3000	6	7
4000	9	8 1/2

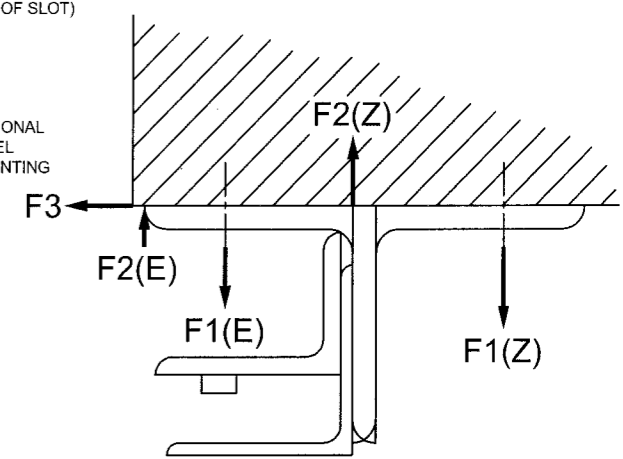
3/4" HILTI KWIK BOLT 3
4-3/4" MIN. EMBEDMENT
OR
3/4" SIMPSON WEDGE-ALL
5" MIN. EMBEDMENT
(SEE TABLE FOR SPACING)



GUIDE ASSEMBLY
STEEL STRUCTURE



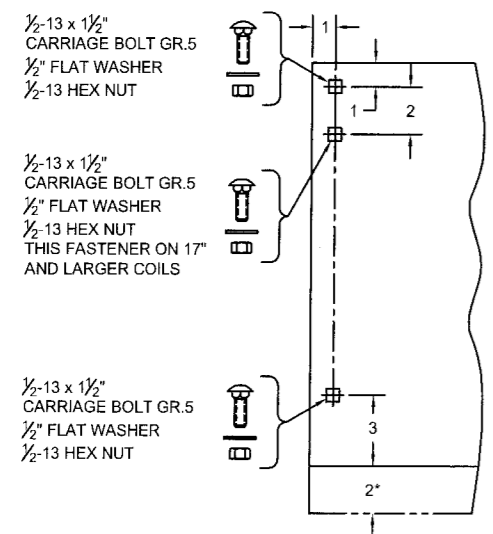
GUIDE ASSEMBLY
STEEL STRUCTURE



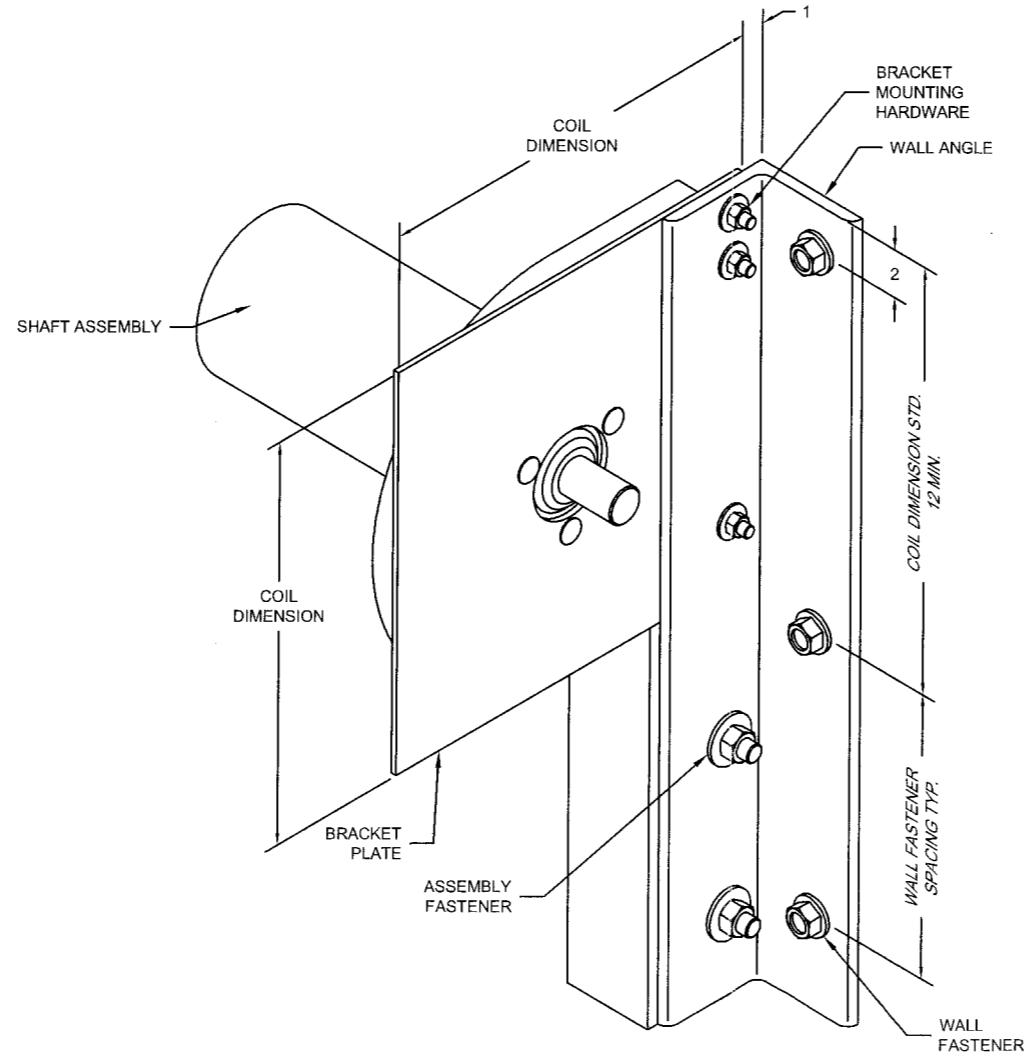
UNREDUCED WIND FORCES
ON BUILDING STRUCTURE

BUILDING DESIGNER NOTE:
STRUCTURE MUST BE DESIGNED TO SUPPORT F1, F2, AND F3 FORCES (LBS./FT. OF OPENING HEIGHT) AT EACH JAMB.

FORCES ON STRUCTURE (LBS / FOOT OF HEIGHT)											
Z-GUIDE						E-GUIDE					
POSITIVE			NEGATIVE			POSITIVE			NEGATIVE		
F1	F2	F3	F1	F2	F3	F1	F2	F3	F1	F2	F3
2644	1881	3079	4493	5255	3079	6870	6108	3079	6383	7146	3079

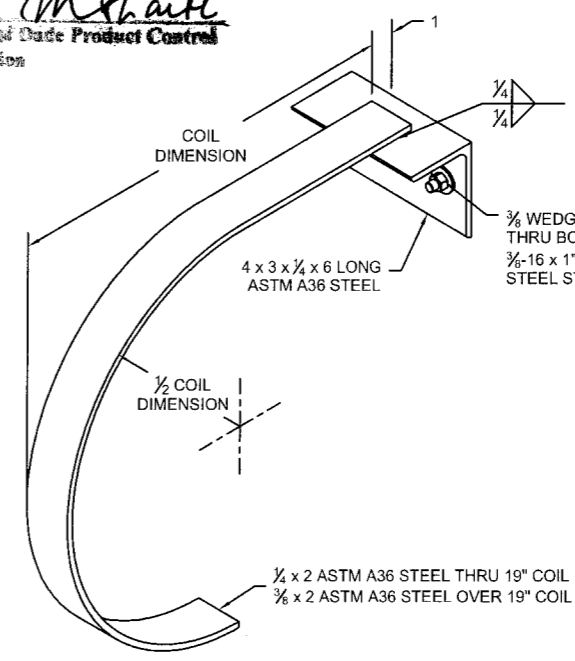


BRACKET MOUNTING DETAIL
0.172 MIN. THICKNESS
* 2" EXTENSION WHEN 8" AND LARGER SHAFT ASSEMBLY IS SUPPLIED



BRACKET MOUNTING / TOP WALL ANGLE FASTENING
BRACKET MOUNTING PER DETAIL 6 DEPICTED.
OTHER BRACKET MOUNTINGS ARE AVAILABLE

PRODUCT REVISED
as complying with the Florida
Building Code
Acceptance No. 09-0210-06
Expiration Date: 12/19/2012
By: *M. H. H. H.*
Miami Dade Product Control
Division



MID-HOOD SUPPORT DETAIL
(WHEN REQUIRED)

Handwritten signature and date:
1/30/09
FL7768

CORNELL 100 ELMWOOD AVENUE
CRESTWOOD INDUSTRIAL PARK
MOUNTAINTOP, PA 18707

TITLE: **DADE COUNTY APPROVED ROLLING STEEL DOOR**

SIZE	DRAWN	DWG NO	REV
D	B. KATCHUR	ES16-3-02	E
SCALE	AS NOTED		SHEET 2 OF 2