



**BUILDING CODE COMPLIANCE OFFICE (BCCO)
PRODUCT CONTROL DIVISION**

**MIAMI-DADE COUNTY, FLORIDA
METRO-DADE FLAGLER BUILDING
140 WEST FLAGLER STREET, SUITE 1603
MIAMI, FLORIDA 33130-1563
(305) 375-2901 FAX (305) 372-6339**

NOTICE OF ACCEPTANCE (NOA)

www.miamidade.gov/buildingcode

**Cornell Iron Works, Inc.
100 Elmwood Avenue
Mountaintop, PA 18707**

SCOPE: This NOA is being issued under the applicable rules and regulations governing the use of construction materials. The documentation submitted has been reviewed by Miami-Dade County Product Control Division and accepted by the Board of Rules and Appeals (BORA) to be used in Miami Dade County and other areas where allowed by the Authority Having Jurisdiction (AHJ).

This NOA shall not be valid after the expiration date stated below. The Miami-Dade County Product Control Division (In Miami Dade County) and/or the AHJ (in areas other than Miami Dade County) reserve the right to have this product or material tested for quality assurance purposes. If this product or material fails to perform in the accepted manner, the manufacturer will incur the expense of such testing and the AHJ may immediately revoke, modify, or suspend the use of such product or material within their jurisdiction. BORA reserves the right to revoke this acceptance, if it is determined by Miami-Dade County Product Control Division that this product or material fails to meet the requirements of the applicable building code. This product is approved as described herein, and has been designed to comply with the Florida Building Code, including the High Velocity Hurricane Zone.

DESCRIPTION: 12'-5" Wide Insulated Steel Roll-up Door

APPROVAL DOCUMENT: Drawing No. **ES16-36-01**, titled "Dade County Approved 12'-5" wide 60 psf Insulated Rolling Steel Door", sheets 1 and 2 of 2, dated 04/10/08, with revision B dated 12/04/08, prepared by Cornell Iron Works, Inc, signed and sealed by Joseph H. Dixon, Jr., P.E., bearing the Miami-Dade County Product Control revision stamp with the Notice of Acceptance number and expiration date by the Miami-Dade County Product Control Division.

MISSILE IMPACT RATING: Large and Small Missile Impact Resistant

LABELING: Each unit shall bear a permanent label with the manufacturer's name or logo, city, state and following statement: "Miami-Dade County Product Control Approved", unless otherwise noted herein.

RENEWAL of this NOA shall be considered after a renewal application has been filed and there has been no change in the applicable building code negatively affecting the performance of this product.

TERMINATION of this NOA will occur after the expiration date or if there has been a revision or change in the materials, use, and/or manufacture of the product or process. Misuse of this NOA as an endorsement of any product, for sales, advertising or any other purposes shall automatically terminate this NOA. Failure to comply with any section of this NOA shall be cause for termination and removal of NOA.

ADVERTISEMENT: The NOA number preceded by the words Miami-Dade County, Florida, and followed by the expiration date may be displayed in advertising literature. If any portion of the NOA is displayed, then it shall be done in its entirety.

INSPECTION: A copy of this entire NOA shall be provided to the user by the manufacturer or its distributors and shall be available for inspection at the job site at the request of the Building Official. This NOA **revises NOA # 08-0425.10** and consists of this page 1 and evidence page E-1, as well as approval document mentioned above.

The submitted documentation was reviewed by **Carlos M. Utrera, P.E.**



Carlos M. Utrera
3/18/09

**NOA No. 09-0218.10
Expiration Date: July 17, 2013
Approval Date: April 08, 2009
Page 1**

NOTICE OF ACCEPTANCE: EVIDENCE SUBMITTED

A. DRAWINGS

1. Drawing No. **ES16-36-01**, titled "Dade County Approved 12'-5" wide 60 psf Insulated Rolling Steel Door", sheets 1 and 2 of 2, dated 04/10/08, with revision B dated 12/04/08, prepared by Cornell Iron Works, Inc, signed and sealed by Joseph Dixon Jr; P.E.

B. TESTS

1. Test reports on 1) Uniform Static Air Pressure Test, Loading per FBC, TAS 202-94
2) Large Missile Impact Test per FBC, TAS 201-94
3) Cyclic Wind Pressure Loading per FBC, TAS 203-94
4) Tensile Test per ASTM E 8-01,
Along with marked-up drawings and installation diagram of Thermiser Rolling Steel Garage Doors, prepared by Architectural Testing, Inc., Test Report No. **79232.01-109-18**, dated 02/25/08, signed and sealed by Michael D. Stremmel, P.E.
2. Test reports on 1000 hours of Salt Spray per ASTM B117 of GalvaNex and G-90, prepared by ETC Laboratories, Test Report No. **ETC-06-1071-18365.1**, dated 01/17/06, signed and sealed by Joseph L. Doldan, P.E.
3. Test reports on Surface Burning Characteristics of Plastics per ASTM D 1929 and E 84 of Polyurethane Foam, prepared by ETC Laboratories, Test Report No. **ETC-07-1071-18738.0**, dated 03/26/07, signed and sealed by Joseph L. Doldan, P.E.
"Submitted under NOA # 08-0425.10"

C. CALCULATIONS

1. Anchoring calculations and structural analysis, dated 02/10/09, prepared, signed and sealed by Joseph H. Dixon, Jr., P.E.

D. QUALITY ASSURANCE

1. Miami Dade Building Code Compliance Office (BCCO).

E. MATERIAL CERTIFICATIONS

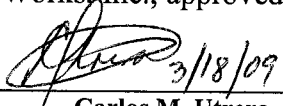
1. None.

F. STATEMENTS

1. Statement letter of code conformance, dated 02/12/09, signed and sealed by Joseph H. Dixon, Jr., P.E.
2. Statement letter of no financial interest, dated 02/12/09, signed and sealed by Joseph H. Dixon, Jr., P.E.

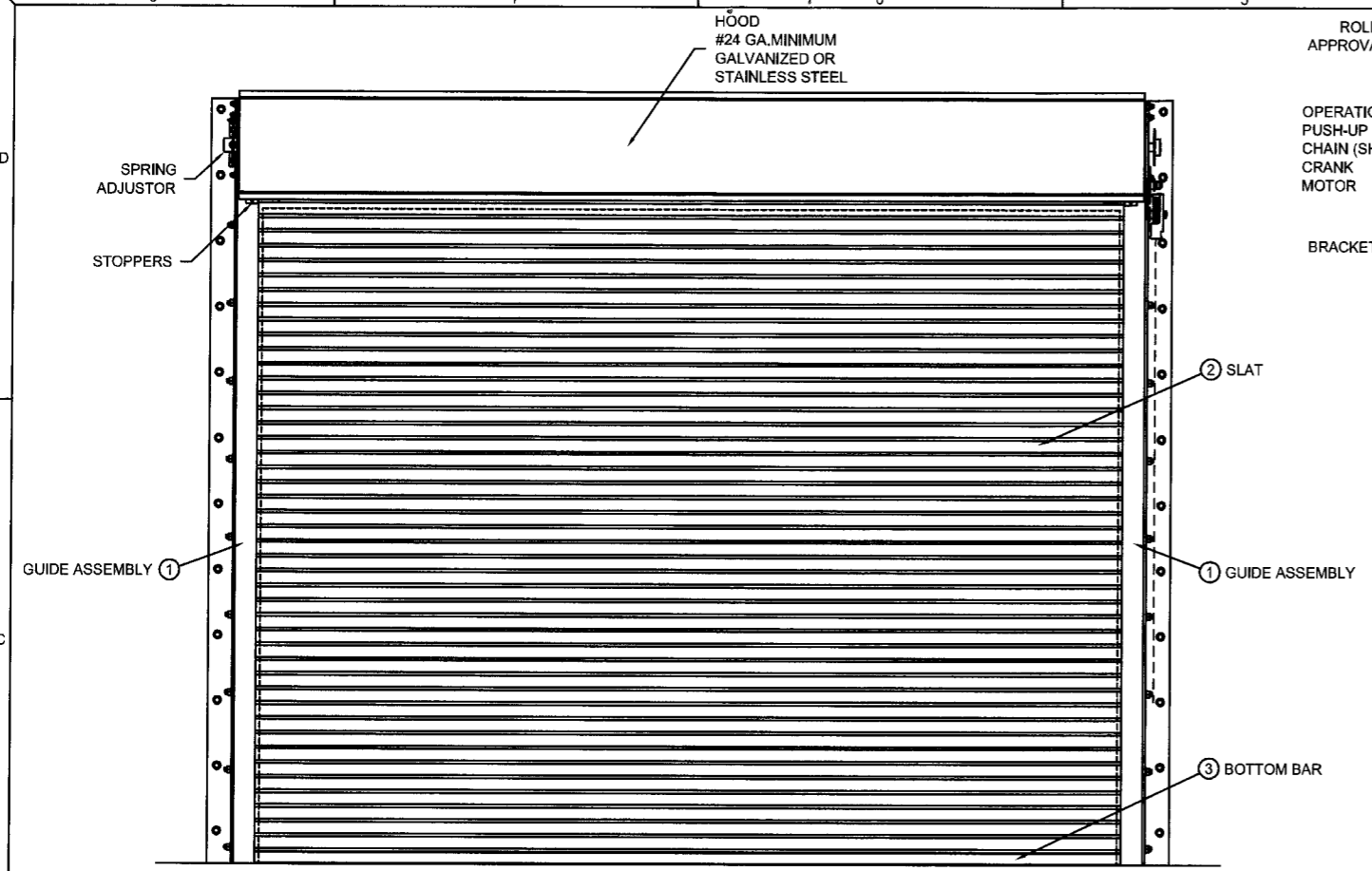
G. OTHER

1. Notice of acceptance No. **08-0425.10**, issued to Cornell Iron Works, Inc., approved on 07/17/08 and expiring on 07/17/13.

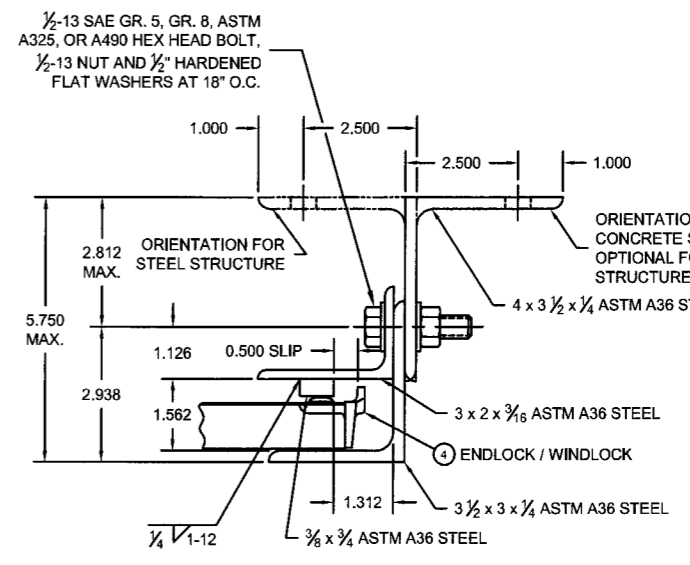
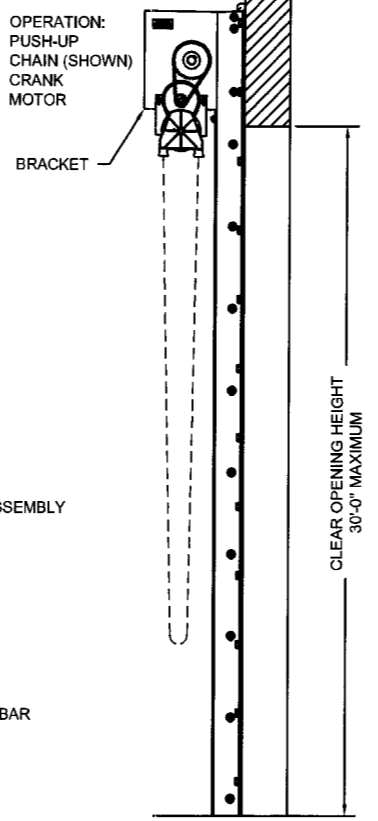


Carlos M. Utrera, P.E.
Product Control Examiner
NOA No. 09-0218.10
Expiration Date: July 17, 2013
Approval Date: April 08, 2009

LTR	REVISION	DATE	BY	E.C.O.
*	ORIGINAL ISSUE	04/10/2008	R.M.	*
A	REVISED NOTE SECTION PER DADE COUNTY LETTER	06/02/2008	R.M.	*
B	ADDED OPTIONAL ZEE GUIDE MOUNTING TO STEEL	12/04/2008	R.M.	*

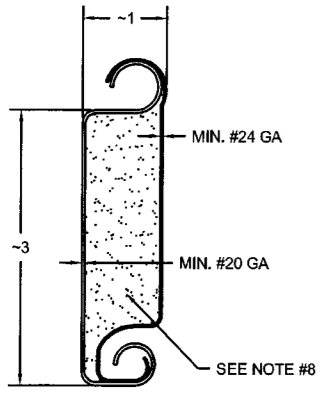
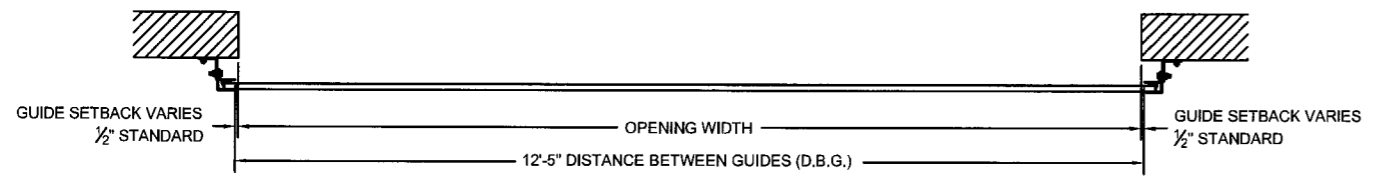


ROLL-UP MECHANISM NOT INCLUDED IN THIS APPROVAL. MUST BE CERTIFIED BY AN INDEPENDENT TESTING AGENCY IF REQUIRED.

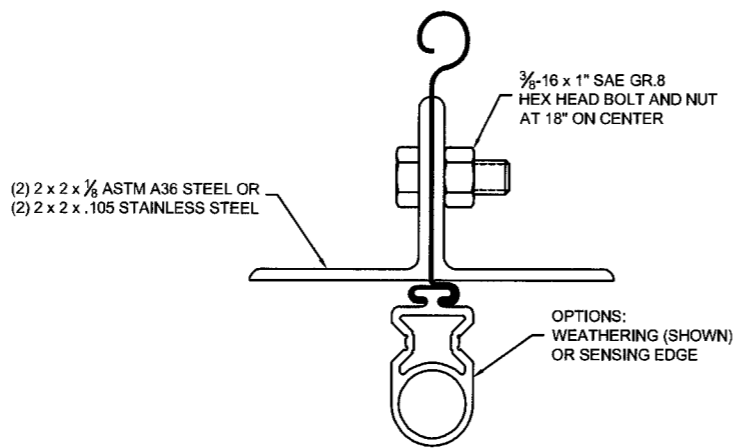


① GUIDE ASSEMBLY DETAIL
1/2 SCALE

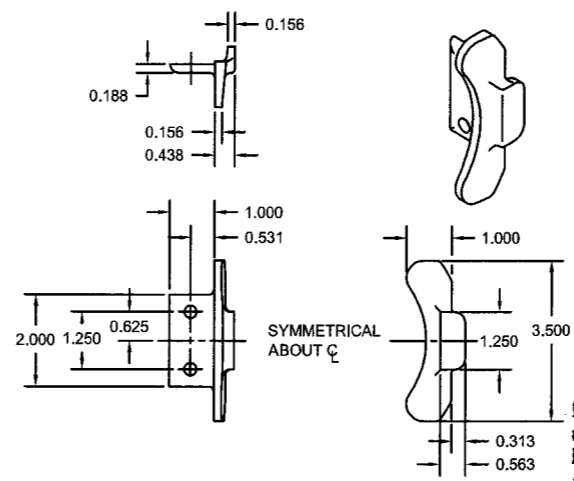
Handwritten signature and date:
2/10/09
FL 7768



② SLAT DETAIL
TYPICAL SECTION
ASTM A653 HSLAS TYPE B GRADE 40 G60 OR
ASTM A653 HSLAS TYPE A GRADE 40 G60 OR
ASTM A653 STRUCTURAL STEEL GRADE 40 G60
OR TYPE 304 STAINLESS STEEL (MIN. YIELD 40,000 psi)
OR TYPE 430 STAINLESS STEEL (MIN. YIELD 40,000 psi)
OR TYPE 201 STAINLESS STEEL (MIN. YIELD 40,000 psi)
FULL SCALE



③ BOTTOM BAR DETAIL
TYPICAL SECTION
FULL SCALE



④ ENDLOCK / WINDLOCK DETAIL
FERRITIC MALLEABLE IRON PER ASTM A47 - GRADE 32510
OR DUCTILE IRON PER ASTM A536 GRADE 65-45-12, GALVANIZED
IN ACCORDANCE WITH ASTM A153, G90 ZINC-COATING.
1/2 SCALE

- NOTES:
- THIS ROLL-UP DOOR SYSTEM IS DESIGNED IN ACCORDANCE WITH THE FLORIDA BUILDING CODE, LATEST EDITION, AS A LARGE MISSILE IMPACT RESISTANT SYSTEM.
 - POSITIVE AND NEGATIVE DESIGN PRESSURE CALCULATIONS SHALL BE PERFORMED FOR SPECIFIC JOBS IN ACCORDANCE WITH ASCE 7 MINIMUM DESIGN LOADS FOR BUILDINGS AND OTHER STRUCTURES. WIND LOADS DETERMINED FOR OPENINGS SHALL BE LESS THAN OR EQUAL TO DOOR DESIGN PRESSURES NOTED BELOW.
 - THE DETAILS AND SPECIFICATIONS SHOWN HEREIN REPRESENT THE PRODUCTS TESTED FOR UNIFORM STATIC AIR PRESSURE IN CONFORMANCE WITH DADE COUNTY PROTOCOLS TAS 201, 202 AND 203.
POSITIVE DESIGN LOAD = 60 PSF
NEGATIVE DESIGN LOAD = 80 PSF
 - TESTING PERFORMED BY ARCHITECTURAL TESTING, INC (YORK, PA.) TEST REPORT No. 79232.01-109-18.
 - SUPERIMPOSED LOADS ON THE JAMBS FROM THIS DOOR ARE DESIGNATED AS F1, F2 AND F3 HEREIN. CONTRACTORS SHALL HAVE FLORIDA REGISTERED PROFESSIONAL ENGINEER VERIFY ADEQUACY OF BUILDING STRUCTURE TO RESIST SUPERIMPOSED LOADS F1, F2, AND F3.
 - ALL WELDING SHALL BE PERFORMED BY QUALIFIED WELDERS IN ACCORDANCE WITH AWS SPECIFICATIONS, LATEST EDITION. ALL WELDING ELECTRODES SHALL CONFORM TO AWS A5.1, GRADE E-70. MINIMUM WELDING PROCESS SHALL BE ARC WELDING AWS E7014 OR MIG WELDING AWS E70S-6.
 - ANCHOR NOTES:
A. EMBEDMENT DEPTH DOES NOT INCLUDE STUCCO FINISH.
B. ANCHORS SHALL BE INSTALLED IN ACCORDANCE WITH MANUFACTURERS SPECIFICATIONS.
 - FOAMED IN PLACE INSULATION, TESTED IN ACCORDANCE WITH ASTM E-84 AND D-1929 OR MINERAL WOOL INSULATION.
 - DOOR MAY BE INSTALLED ON THE INSIDE OR OUTSIDE OF AN EXTERIOR WALL.
 - A 33% INCREASE IN ALLOWABLE STRESS HAS NOT BEEN USED IN THE DESIGN OF THIS PRODUCT.

PRODUCT REVISED
as complying with the Florida
Building Code
Assignment No 09-0218.10
Expiration Date 07/17/2013
By *[Signature]*
Miami Dade Product Control
Division

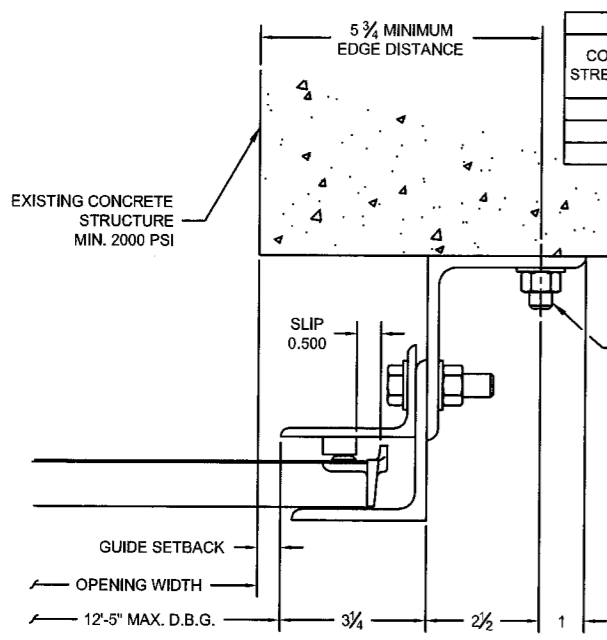
CORNELL 100 ELMWOOD AVENUE
CRESTWOOD INDUSTRIAL PARK
MOUNTAIN TOP, PA 18707

TITLE
DADE COUNTY APPROVED
12'-5" WIDE 60 PSF INSULATED
ROLLING STEEL DOOR

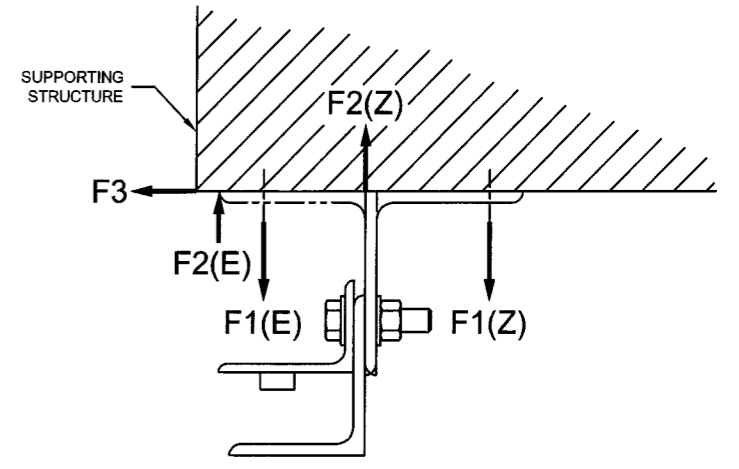
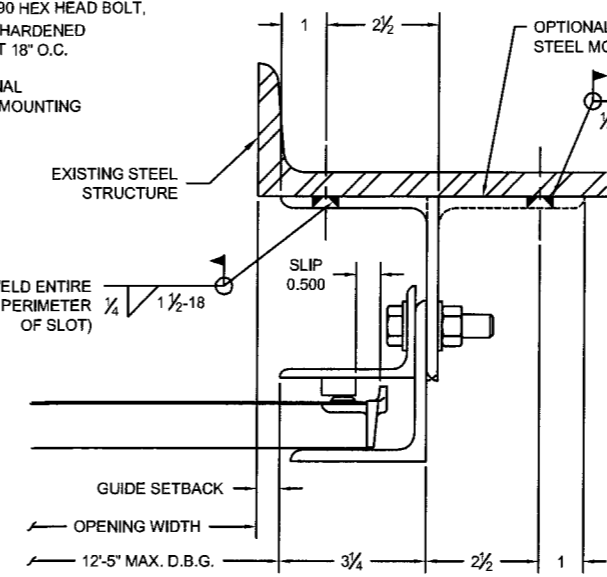
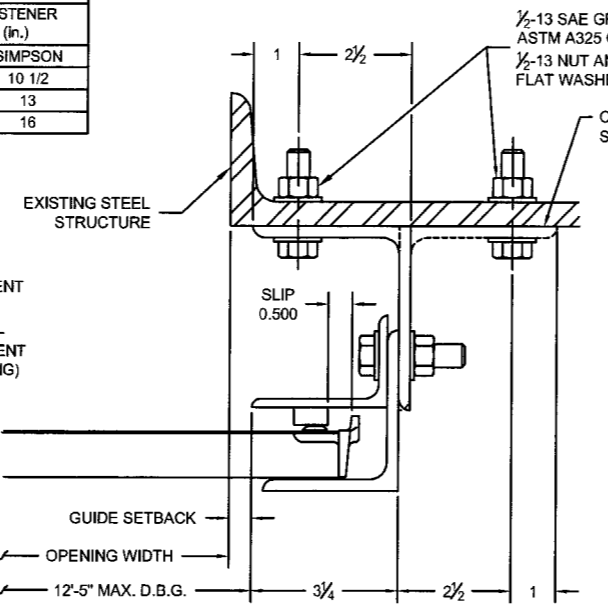
SIZE DRAWN DWG NO REV
D R. MAGGIO ES16-36-01 B

SCALE 1:16 & AS NOTED SHEET 1 OF 2

LTR	REVISION	DATE	BY	E.C.O.
*	ORIGINAL ISSUE	04/10/2008	R.M.	-
A	REVISED NOTE SECTION PER DADE COUNTY LETTER	06/02/2008	R.M.	-
B	ADDED OPTIONAL ZEE GUIDE MOUNTING TO STEEL	12/04/2008	R.M.	-



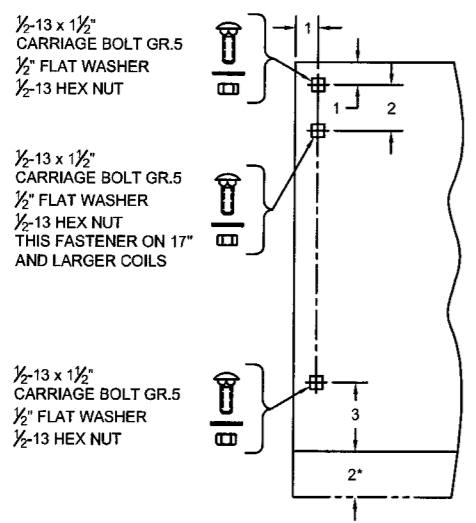
CONCRETE STRENGTH (psi)	MAXIMUM FASTENER SPACING (in.)	
	HILTI	SIMPSON
2000	13	10 1/2
3000	14 1/2	13
4000	15 1/2	16



UNREDUCED WIND FORCES ON BUILDING STRUCTURE

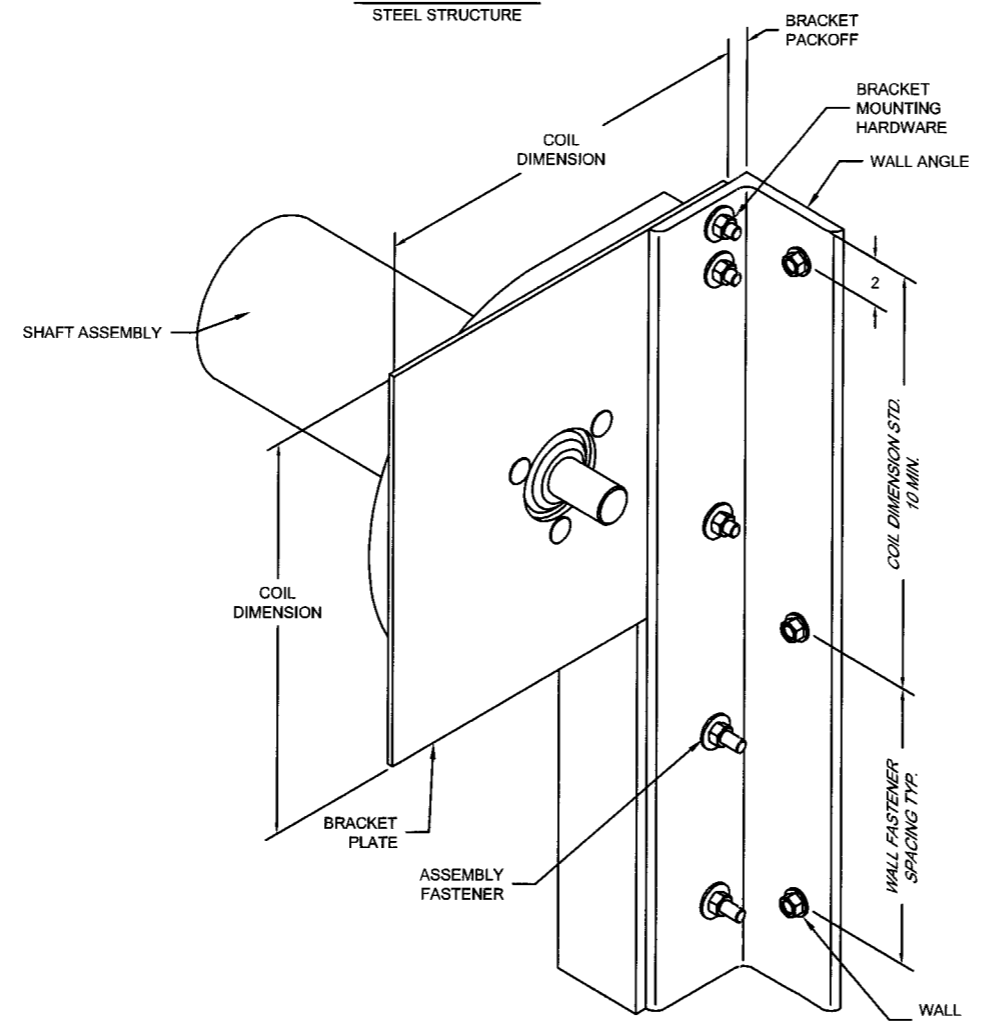
BUILDING DESIGNER NOTE:
STRUCTURE MUST BE DESIGNED TO SUPPORT F1, F2, AND F3 FORCES (LBS./FT. OF OPENING HEIGHT) AT EACH JAMB.

FORCES ON STRUCTURE (LBS. / FOOT OF HEIGHT)											
Z-GUIDE						E-GUIDE					
POSITIVE			NEGATIVE			POSITIVE			NEGATIVE		
F1	F2	F3	F1	F2	F3	F1	F2	F3	F1	F2	F3
692	311	685	1534	1915	685	2968	2587	685	2596	2977	685



6 BRACKET MOUNTING DETAIL
0.172 MIN. THICKNESS

* 2" EXTENSION WHEN 8" AND LARGER SHAFT ASSEMBLY IS SUPPLIED
SCALE: FULL



BRACKET MOUNTING / TOP WALL ANGLE FASTENING

BRACKET MOUNTING PER DETAIL 6 DEPICTED, OTHER BRACKET MOUNTINGS ARE AVAILABLE
SCALE: NTS

Handwritten signature and date:
2/10/09
FL 7768

PRODUCT REVISED
as complying with the Florida Building Code
Amendment No 09-0218.10
Expiration Date 07/19/2013
By *[Signature]*
Miami Dade Product Control Division

CORNELL 100 ELMWOOD AVENUE
CRESTWOOD INDUSTRIAL PARK
MOUNTAINTOP, PA 18707

TITLE
DADE COUNTY APPROVED
12'-5" WIDE 60 PSF INSULATED
ROLLING STEEL DOOR

SIZE DRAWN DWG NO
D R. MAGGIO ES16-36-02 REV B

SCALE 1:4 & AS NOTED SHEET 2 OF 2