



**BUILDING CODE COMPLIANCE OFFICE (BCCO)  
PRODUCT CONTROL DIVISION**

**MIAMI-DADE COUNTY, FLORIDA  
METRO-DADE FLAGLER BUILDING  
140 WEST FLAGLER STREET, SUITE 1603  
MIAMI, FLORIDA 33130-1563  
(305) 375-2901 FAX (305) 375-2908**

**NOTICE OF ACCEPTANCE (NOA)**

**Gerard Roofing Technologies  
955 Columbia Street  
Brea, CA 92821**

**SCOPE:**

This NOA is being issued under the applicable rules and regulations governing the use of construction materials. The documentation submitted has been reviewed by Miami-Dade County Product Control Division and accepted by the Board of Rules and Appeals (BORA) to be used in Miami Dade County and other areas where allowed by the Authority Having Jurisdiction (AHJ).

This NOA shall not be valid after the expiration date stated below. The Miami-Dade County Product Control Division (In Miami Dade County) and/or the AHJ (in areas other than Miami Dade County) reserve the right to have this product or material tested for quality assurance purposes. If this product or material fails to perform in the accepted manner, the manufacturer will incur the expense of such testing and the AHJ may immediately revoke, modify, or suspend the use of such product or material within their jurisdiction. BORA reserves the right to revoke this acceptance, if it is determined by Miami-Dade County Product Control Division that this product or material fails to meet the requirements of the applicable building code.

This product is approved as described herein, and has been designed to comply with the Florida Building Code, including the High Velocity Hurricane Zone of the Florida Building Code.

**DESCRIPTION: NB Tile, Barrel Vault, Canyon Shake**

**LABELING:** Each unit shall bear a permanent label with the manufacturer's name or logo, city, state and following statement: "Miami-Dade County Product Control Approved", unless otherwise noted herein.

**RENEWAL** of this NOA shall be considered after a renewal application has been filed and there has been no change in the applicable building code negatively affecting the performance of this product.

**TERMINATION** of this NOA will occur after the expiration date or if there has been a revision or change in the materials, use, and/or manufacture of the product or process. Misuse of this NOA as an endorsement of any product, for sales, advertising or any other purposes shall automatically terminate this NOA. Failure to comply with any section of this NOA shall be cause for termination and removal of NOA.

**ADVERTISEMENT:** The NOA number preceded by the words Miami-Dade County, Florida, and followed by the expiration date may be displayed in advertising literature. If any portion of the NOA is displayed, then it shall be done in its entirety.

**INSPECTION:** A copy of this entire NOA shall be provided to the user by the manufacturer or its distributors and shall be available for inspection at the job site at the request of the Building Official.

This renews and revises NOA # 07-0802.08 and consists of pages 1 through 6.  
The submitted documentation was reviewed by Alex Tigera.



**NOA No.: 09-0527.04  
Expiration Date: 07/23/14  
Approval Date: 07/01/09  
Page 1 of 6**

**ROOFING SYSTEM APPROVAL:**

**Category:** Roofing  
**Sub-Category:** Metal, Panels (Non-Structural)  
**Material:** Steel  
**Deck Type:** Wood  
**Maximum Design Pressure** -151.75 psf

**TRADE NAMES OF PRODUCTS MANUFACTURED OR LABELED BY APPLICANT:**

<u>Product</u>	<u>Dimensions</u>	<u>Test Specifications</u>	<u>Product Description</u>
NB Tile	46" x 16" x 1" Thickness min. 0.019"	TAS 110	Stone Coated Metal Panel Shingle
Barrel Vault	43" x 15-1/2" x 1" Thickness min. 0.019"	TAS 110	Stone Coated Metal Panel Shingle
Canyon Shake	45" x 16-1/2" x 1" Thickness min. 0.019"	TAS 110	Stone Coated Metal Panel Shingle

**EVIDENCE SUBMITTED:**

<u>Test Agency</u>	<u>Test Identifier</u>	<u>Test Name/Report</u>	<u>Date</u>
Hurricane Test Laboratory, Inc.	0351-0110-04	TAS 125	01/20/04
Hurricane Test Laboratory, Inc.	0351-0119-06	TAS 125	02/01/06
Hurricane Test Laboratory, Inc.	0351-0608-07	TAS 125	06/13/07
PRI Asphalt Technologies, Inc.	GRT-002-02-01	TAS 100	01/15/04
Underwriters Laboratories Inc	02NK43282	UL 790	05/27/98
PRI Construction Materials Technologies	MUSA-012-02-01	ASTM B 117	12/26/07
PRI Construction Materials Technologies	MUSA-012-02-04	ASTM G 26	01/21/08



NOA No.: 09-0527.04  
Expiration Date: 07/23/14  
Approval Date: 07/01/09  
Page 2 of 6

**APPROVED ASSEMBLIES:**

**SYSTEM A-1:** Canyon Shake, NB Tile, Barrel Vault  
**Deck Type:** Wood, Non-insulated  
**Deck Description:** New construction or Re-roof, 15/32" or greater plywood or wood plank  
**Slope Range:** 2":12" or greater  
**Maximum Uplift Pressure:** See Table A Below

**Deck Attachment:** Deck shall be attached in accordance with applicable Building Code, but in no case shall it be less than 8d ring shank nails spaced 6" o.c. In reroofing, where the deck is less than 19/32" thick (Minimum 15/32") the above attachment method must be in addition to existing attachment.

**Underlayment:** Minimum underlayment shall be an ASTM D 226 Type II installed with a minimum 4" side-lap and 6" end-laps. Underlayment shall be fastened with corrosion resistant tin-caps and 12 gauge 1 1/4" annular ring-shank nails, spaced 6" o.c. at all laps and two staggered rows 12" o.c. in the field of the roll. Or, any approved underlayment having a current NOA.

**Fire Barrier Board:** When required (by Code), any approved fire barrier having a current NOA. Or for class A or B fire rating, install minimum 1/4" thick Georgia Pacific "Dens Deck" (with current NOA) or minimum 4mm thick of Tritex, RockRoof (with current NOA) or 5/8" water resistant type X gypsum sheathing with treated core and facer.

**Valleys:** Valley construction shall be in compliance with Roofing Application Standard RAS 133 and with Gerard Roofing Technologies' current published installation instructions.

**Metal Panels and Accessories:** Install the "Canyon Shake, NB Tile, Barrel Vault" and accessories in compliance with Gerard Roofing Technologies' current, published installation instructions and details. Flashings, penetrations, valley construction and other details shall be constructed in compliance with the minimum requirements provided in Roofing Application Standard RAS 133.

Panels shall be fastened with corrosion resistant 8d ring shank nails or #10 hex head screws of sufficient length to penetrate through the sheathing a minimum of 3/16". See Table A below for minimum fasteners and spacing. Fasteners listed below are to be placed on the front of the panel (exposed) and along the back of the panel (concealed). (See detail drawings herein).

TABLE A MAXIMUM DESIGN PRESSURES		
	Field	Perimeter and Corner <sup>1</sup>
Maximum Design Pressure	-93.5 psf.	-129.25 psf.
Maximum Fastener Spacing	10 fasteners per panel @ 10.5"o.c. (5 exposed fasteners on the front edge of panel, 5 concealed fasteners in the back lip of panel. This includes fasteners at laps both ends.)	18 fasteners per panel @ 5.25"o.c. (9 exposed fasteners on the front edge of panel, 9 concealed fasteners in the back lip of panel. This includes fasteners at laps both ends.)
<b>1. Extrapolation shall not be allowed</b>		



**SYSTEM B-1:** Canyon Shake, NB Tile, Barrel Vault  
**Deck Type:** Wood, Non-insulated  
**Deck Description:** New construction or Re-roof, 15/32" or greater plywood or wood plank  
**Slope Range:** 2":12" or greater  
**Maximum Uplift Pressure:** See Table B Below

**Deck Attachment:** Deck shall be attached in accordance with applicable Building Code, but in no case shall it be less than 8d ring shank nails spaced as listed below in **Table B**. In reroofing, where the deck is less than 19/32" thick (Minimum 15/32") the above attachment method must be in addition to existing attachment.

**Underlayment:** Minimum underlayment shall be an ASTM D 226 Type II installed with a minimum 4" side-lap and 6" end-laps. Underlayment shall be fastened with corrosion resistant tin-caps and 12 gauge 1 1/4" annular ring-shank nails, spaced 6" o.c. at all laps and two staggered rows 12" o.c. in the field of the roll. Or, any approved underlayment having a current NOA.

**Fire Barrier Board:** When required (by Code), any approved fire barrier having a current NOA. Or for class A or B fire rating, install minimum 1/4" thick Georgia Pacific "Dens Deck" (with current NOA) or minimum 4mm thick of Tritex, RockRoof (with current NOA) or 5/8" water resistant type X gypsum sheathing with treated core and facer.

**Valleys:** Valley construction shall be in compliance with Roofing Application Standard RAS 133 and with Gerard Roofing Technologies' current published installation instructions.

**Metal Panels and Accessories:** Install the "Canyon Shake, NB Tile, Barrel Vault" and accessories in compliance with Gerard Roofing Technologies' current, published installation instructions and details. Flashings, penetrations, valley construction and other details shall be constructed in compliance with the minimum requirements provided in Roofing Application Standard RAS 133.

Panels shall be fastened with corrosion resistant 8d ring shank nails or #10 hex head screws of sufficient length to penetrate through the sheathing a minimum of 3/16". See Table A below for minimum fasteners and spacing. Fasteners listed below are to be placed on the front of the panel (exposed) and along the back of the panel (concealed). (See detail drawings herein).

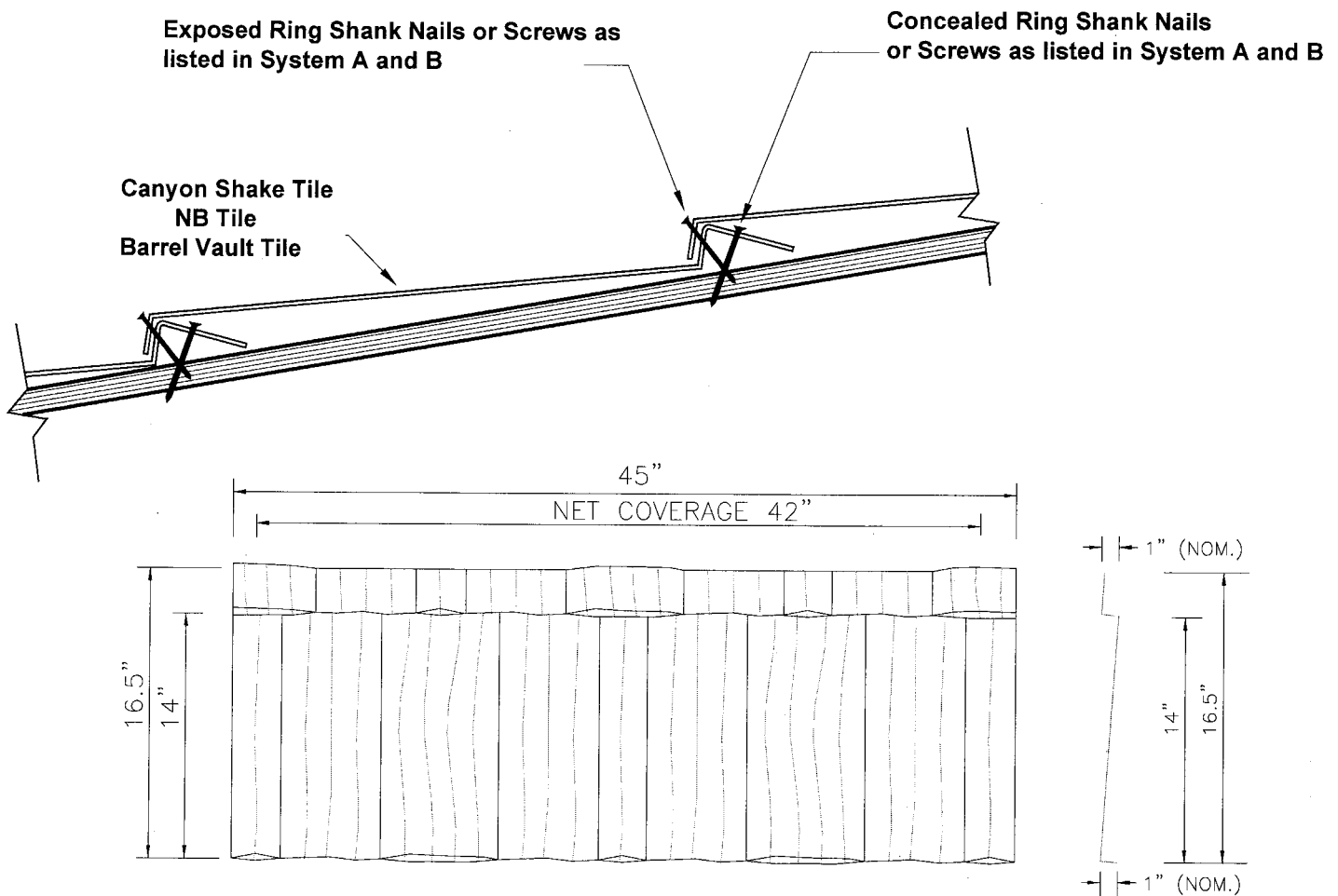
<b>TABLE B MAXIMUM DESIGN PRESSURES</b>		
	<b>Field</b>	<b>Perimeter and Corner<sup>1</sup></b>
Maximum Design Pressure	-93.5 psf.	-151.75 psf.
Maximum Fastener Spacing	10 fasteners per panel @ 10.5" o.c. <i>(5 exposed fasteners on the front edge of panel, 5 concealed fasteners in the back lip of panel. This includes fasteners at laps both ends.)</i>	18 fasteners per panel @ 5.25" o.c. <i>(9 exposed fasteners on the front edge of panel, 9 concealed fasteners in the back lip of panel. This includes fasteners at laps both ends.)</i>
Plywood Fastener Spacing:	6" o.c.	4" o.c.
<b>1. Extrapolation shall not be allowed</b>		



## SYSTEM LIMITATIONS

1. The maximum designed pressure listed herein shall be applicable to all roof pressure zones (i.e. field, perimeters, and corners). Neither rational analysis, nor extrapolation shall be permitted for enhanced fastening at enhanced pressure zones (i.e. perimeters, extended corners and corners).
2. Fire Classification is not part of this acceptance; Refer to an Approved Roofing Materials Fire Directory for fire ratings for this product.
3. All panels shall be permanently labeled with the manufacturer's name and/or logo, and the following statement: "Miami-Dade County Product Control Approved."
4. All products listed herein shall have a quality assurance audit in accordance with the Florida Building Code and Rule 9B-72 of the Florida Administrative Code.

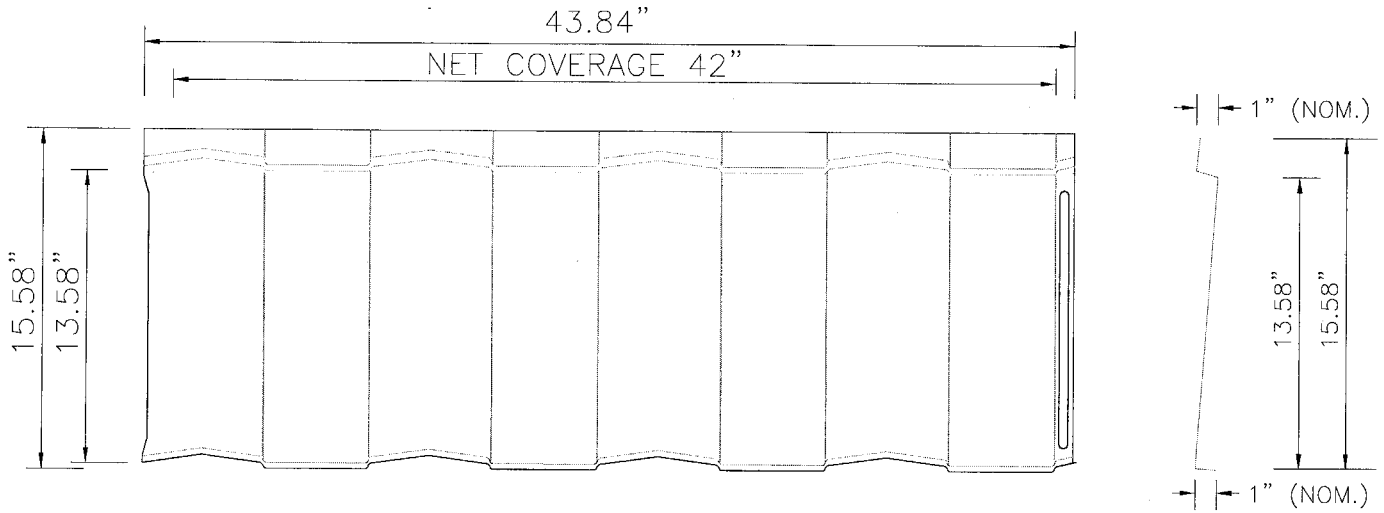
### DETAIL DRAWING:



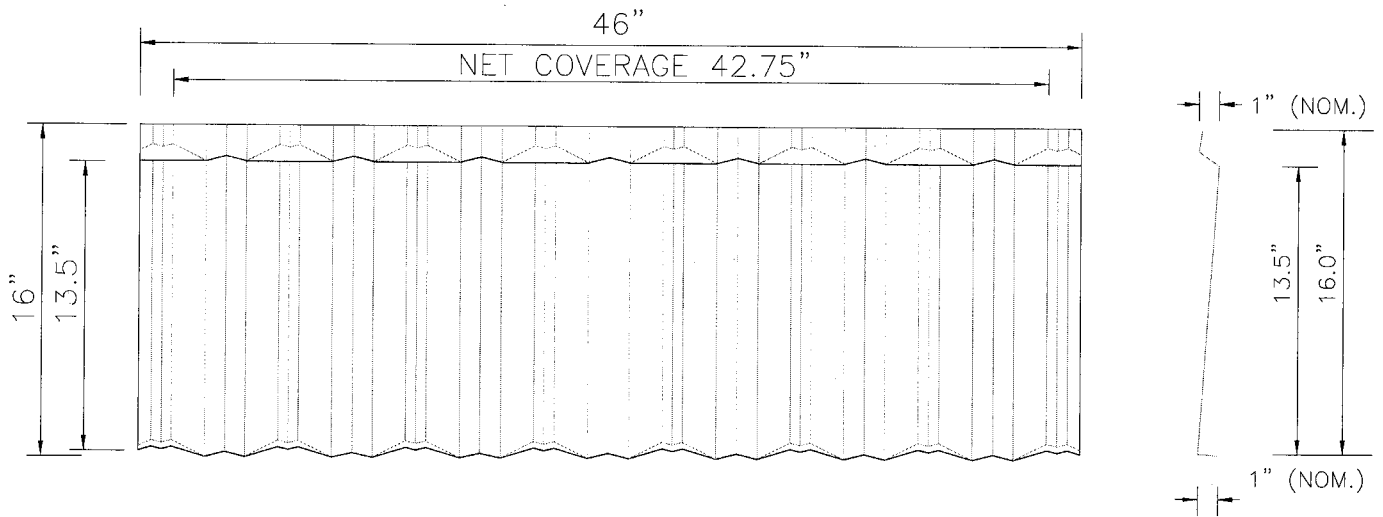
### Canyon Shake



NOA No.: 09-0527.04  
 Expiration Date: 07/23/14  
 Approval Date: 07/01/09  
 Page 5 of 6



**Barrel Vault**



**NB Tile**

**END OF THIS ACCEPTANCE**



NOA No.: 09-0527.04  
 Expiration Date: 07/23/14  
 Approval Date: 07/01/09  
 Page 6 of 6