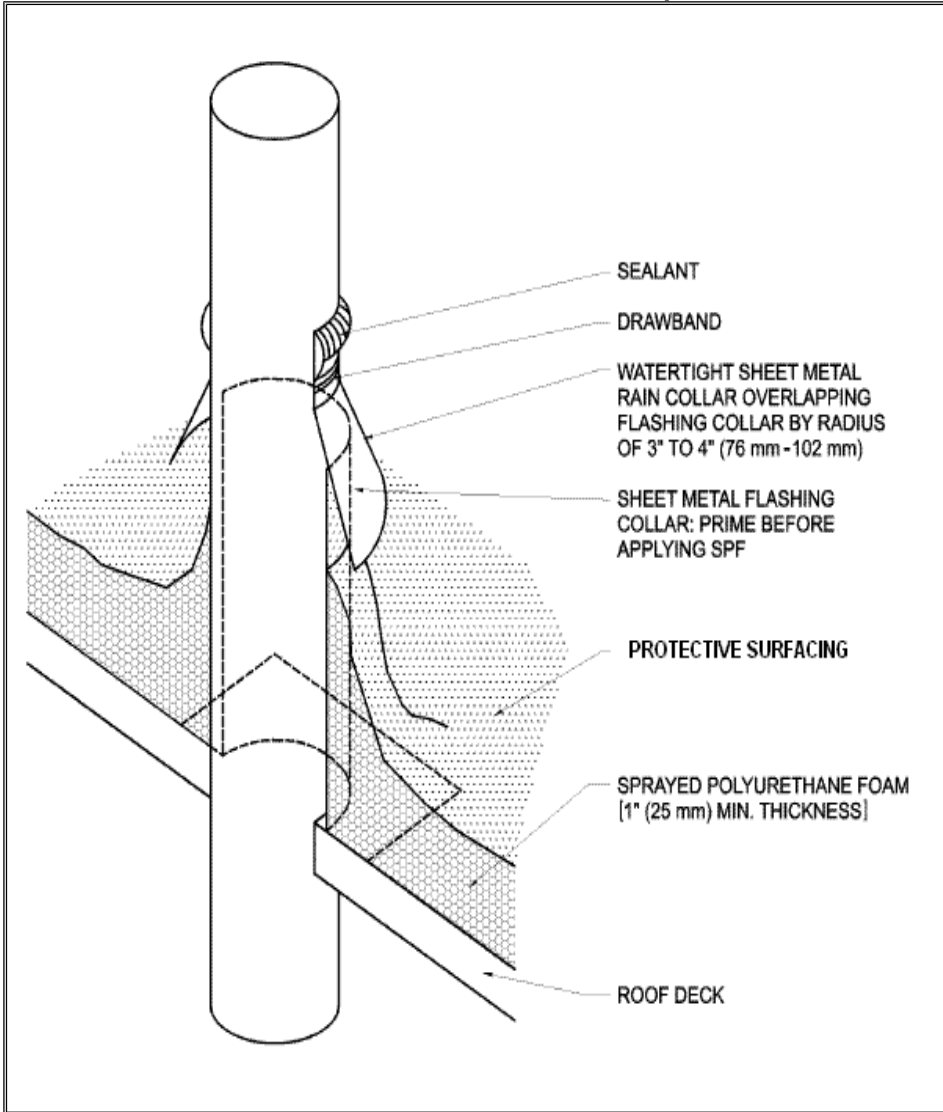




"Delivering Excellence Every Day"

Miami-Dade County HVHZ Electronic Roof Permit Form

Provide Components and Details as Applicable:



Roof Mean Height: ft.

Parapet Wall Height: ft.

Optional Granules:

Protective Surfacing:

Top Coat of SPF Foam:

Base Coat of SPF Foam:

Fire Barrier:

Base Insulation Layer:

Primer:

Deck Type: