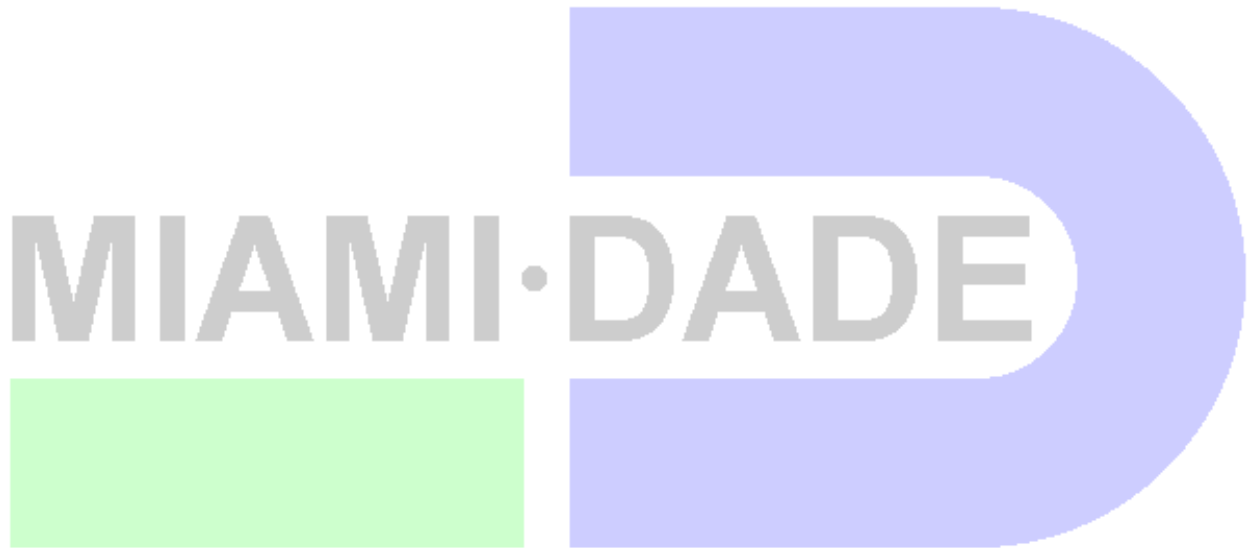


**Miami-Dade County Public Works Department  
Traffic Signals & Signs Division**

**TYPICAL WIRING and INSTALLATION DETAILS  
INTERNALLY ILLUMINATED STREET NAME SIGNS  
(IISNS)**

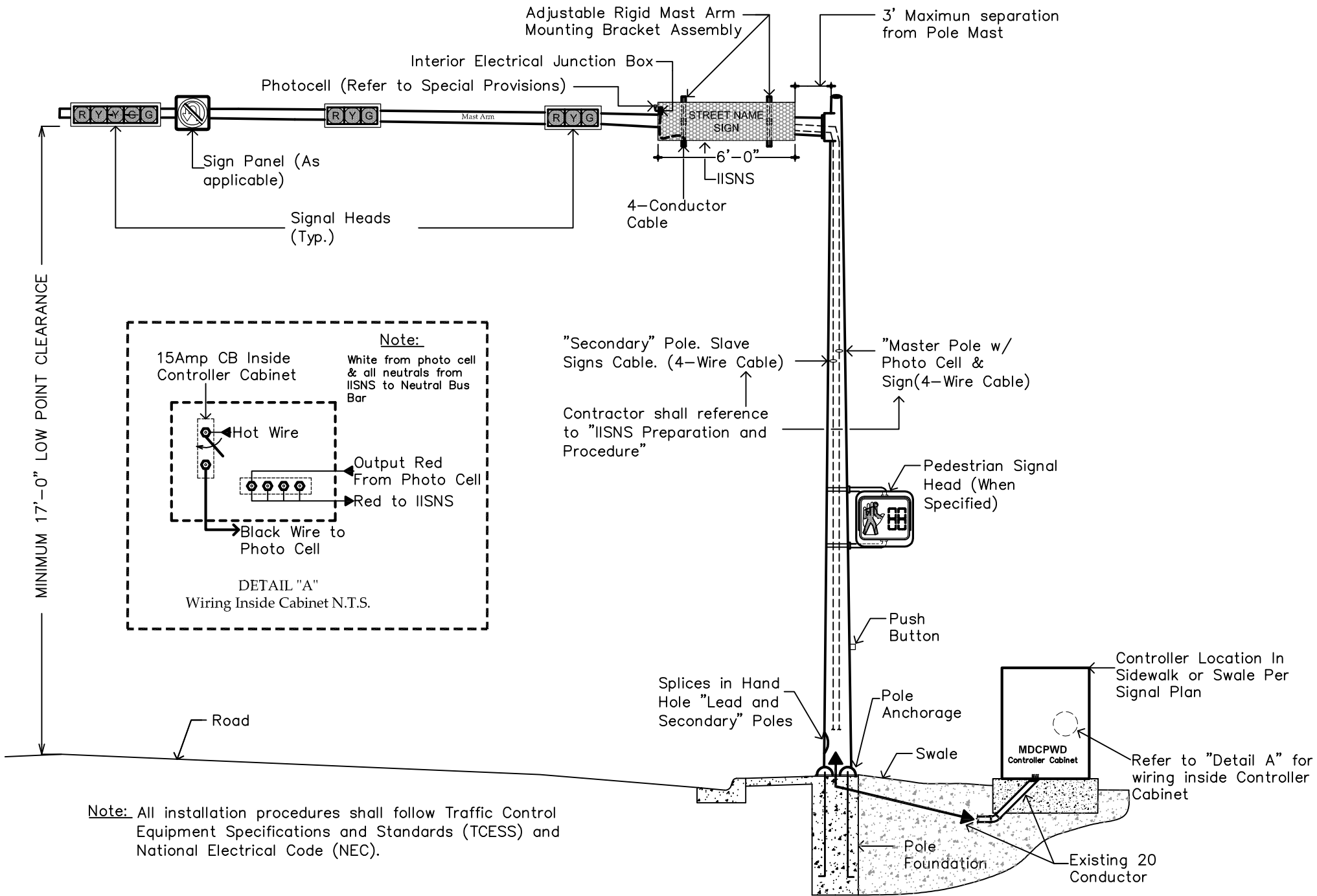


**Esther Calas, P.E.**  
Director  
Public Works Department

**Robert Williams, P.E., PTOE**  
Chief  
Traffic Signals & Signs Division

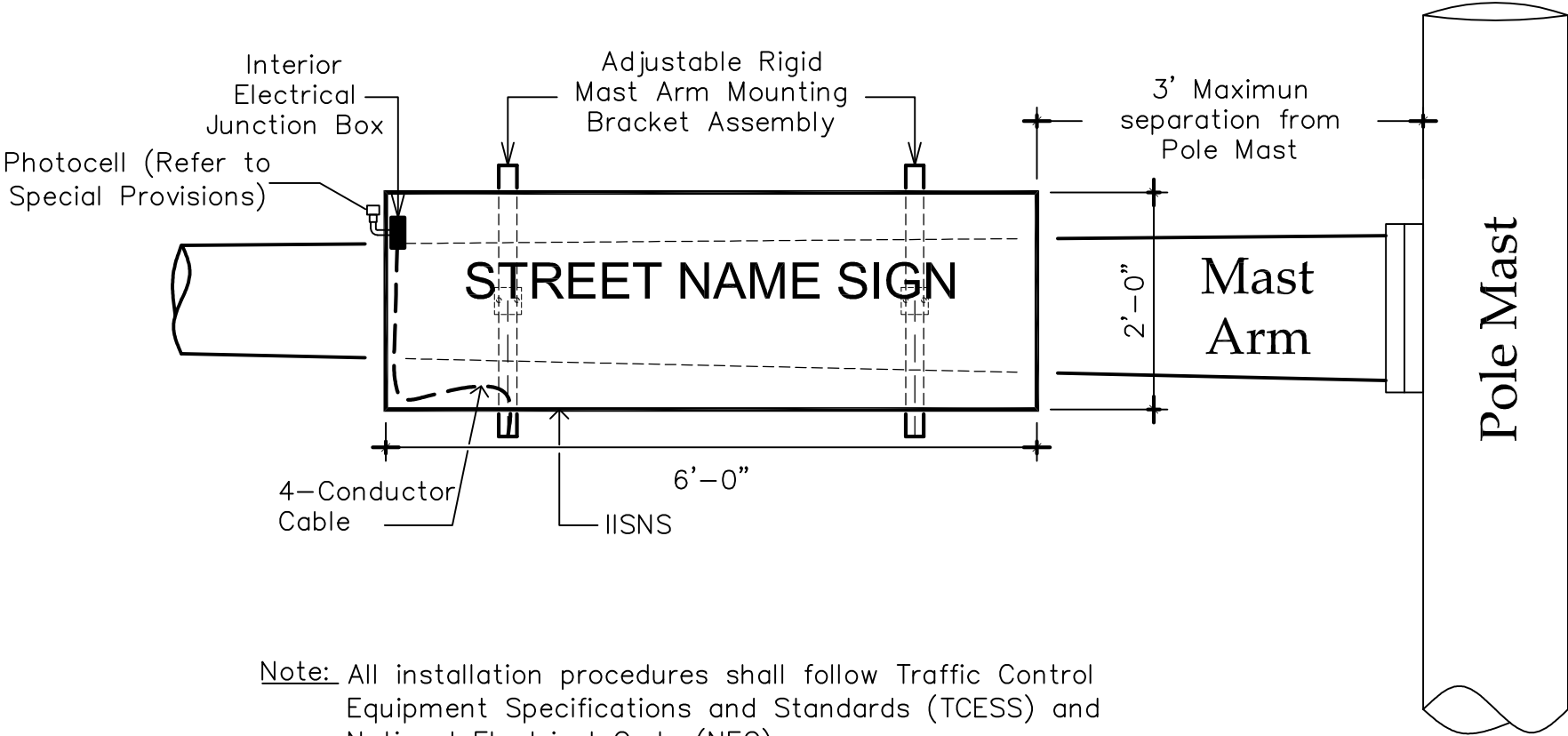
Prepared by:

**Robert Janosi**  
Traffic Control Standards & Specifications Coordinator



TYPICAL IISNS WIRING DIAGRAM N.T.S.

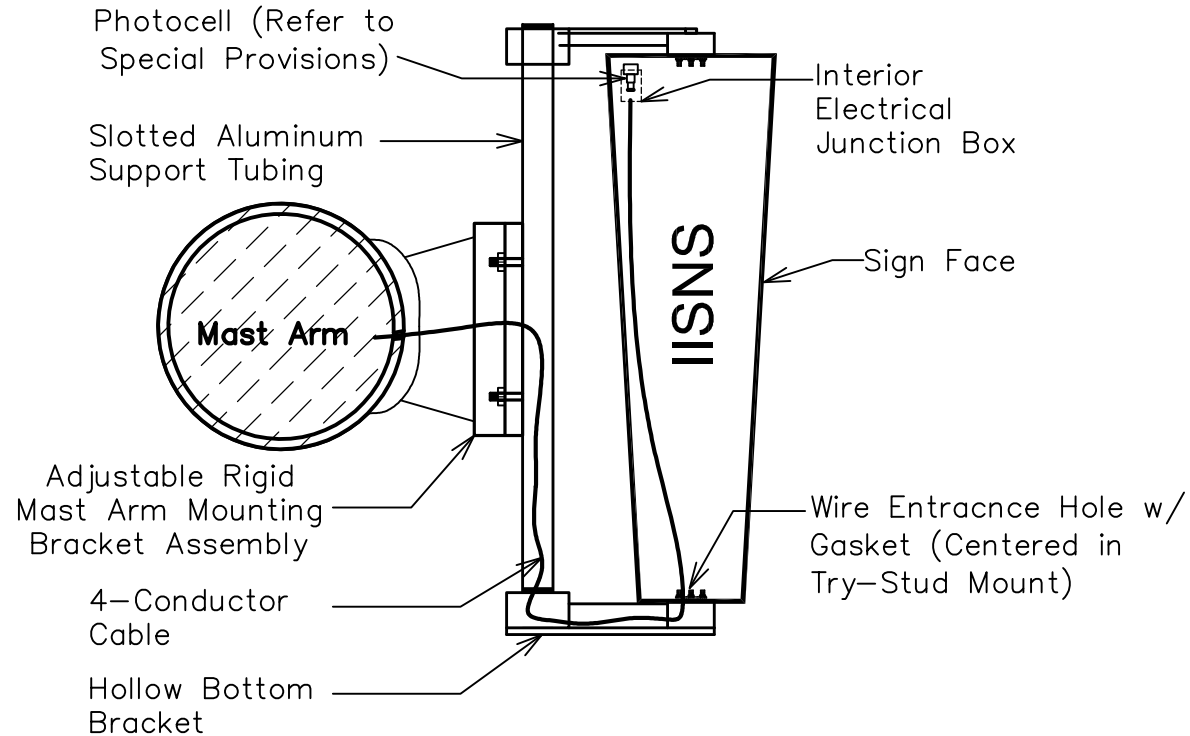
# FRONT VIEW



Note: All installation procedures shall follow Traffic Control Equipment Specifications and Standards (TCESS) and National Electrical Code (NEC).

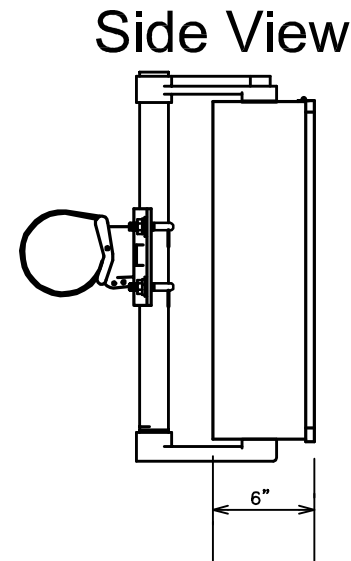
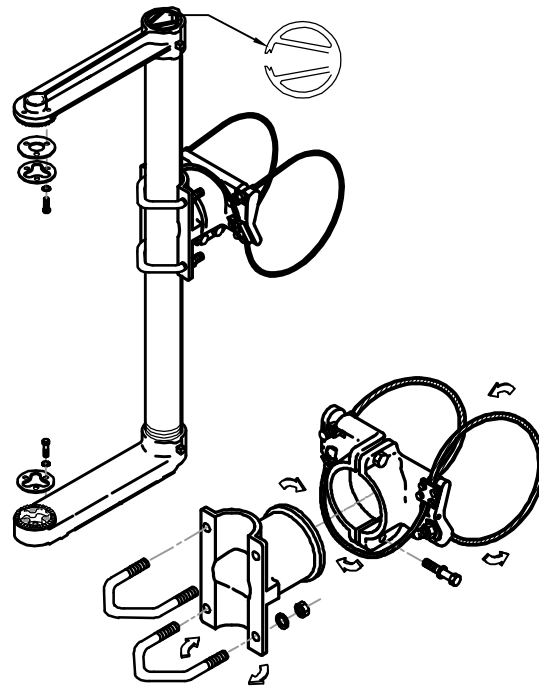
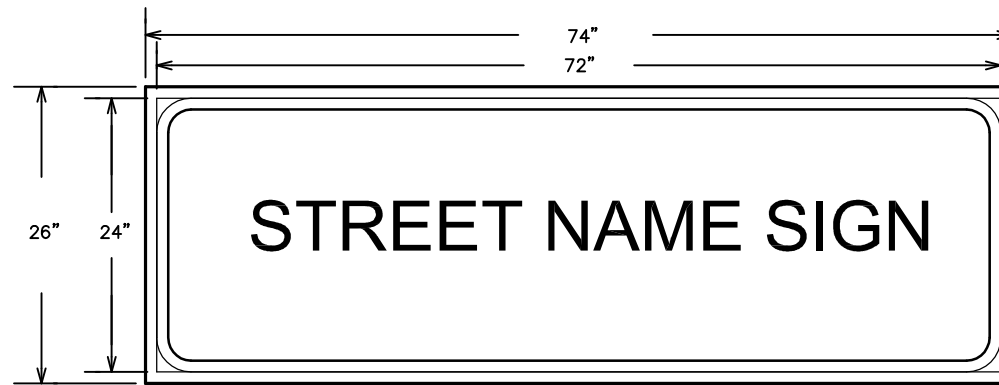
TOP/BOTTOM STANDARD MOUNTING (TBSM)  
IISNS DETAIL N.T.S.

## SIDE VIEW



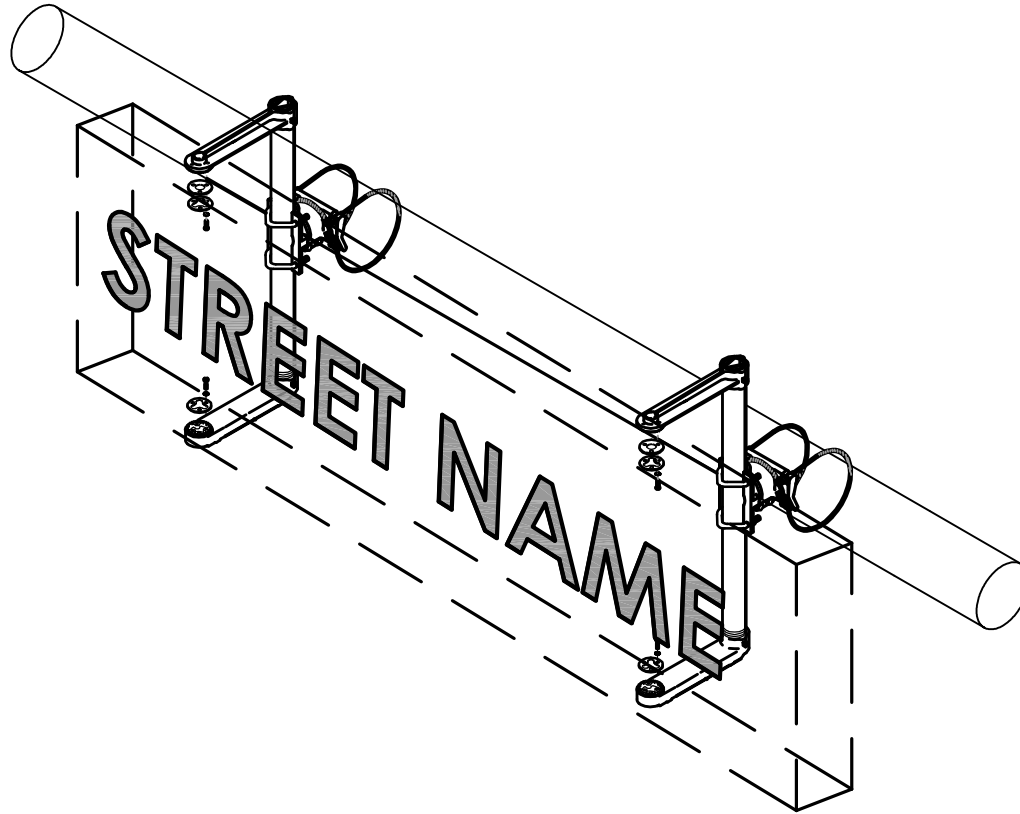
Note: All installation procedures shall follow Traffic Control Equipment Specifications and Standards (TCESS) and National Electrical Code (NEC).

TOP/BOTTOM STANDARD MOUNTING (TBSM)  
IISNS DETAIL N.T.S.



Note: All installation procedures shall follow Traffic Control Equipment Specifications and Standards (TCESS) and National Electrical Code (NEC).

TOP/BOTTOM STANDARD MOUNTING (TBSM)  
IISNS DETAIL N.T.S.



Note: All installation procedures shall follow Traffic Control Equipment Specifications and Standards (TCESS) and National Electrical Code (NEC).

TOP/BOTTOM STANDARD MOUNTING (TBSM)  
IISNS DETAIL N.T.S.