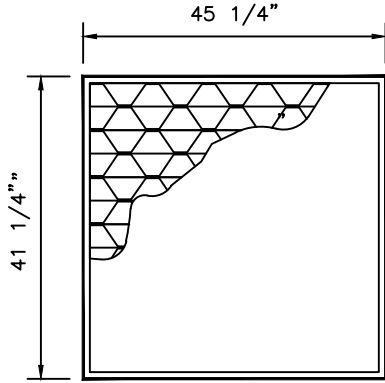
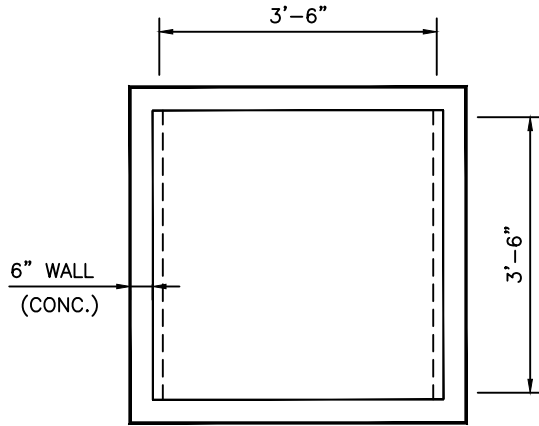


# TYPE P-10



**STEEL GRATING**

U.S. FOUNDRY NO. 6646  
 GRATE (or EQUAL)  
 STRAIGHT BARS 6" x  $\frac{1}{4}$ "  
 RETICULINE BARS  $1\frac{1}{4}$ " x  $\frac{3}{16}$ "  
 WEIGHT 445 lbs. (APPROX.)

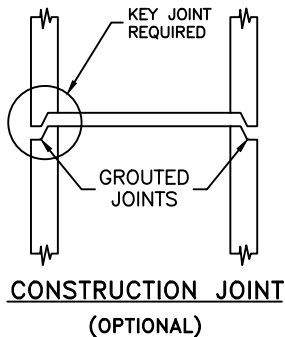


**NOTE:**

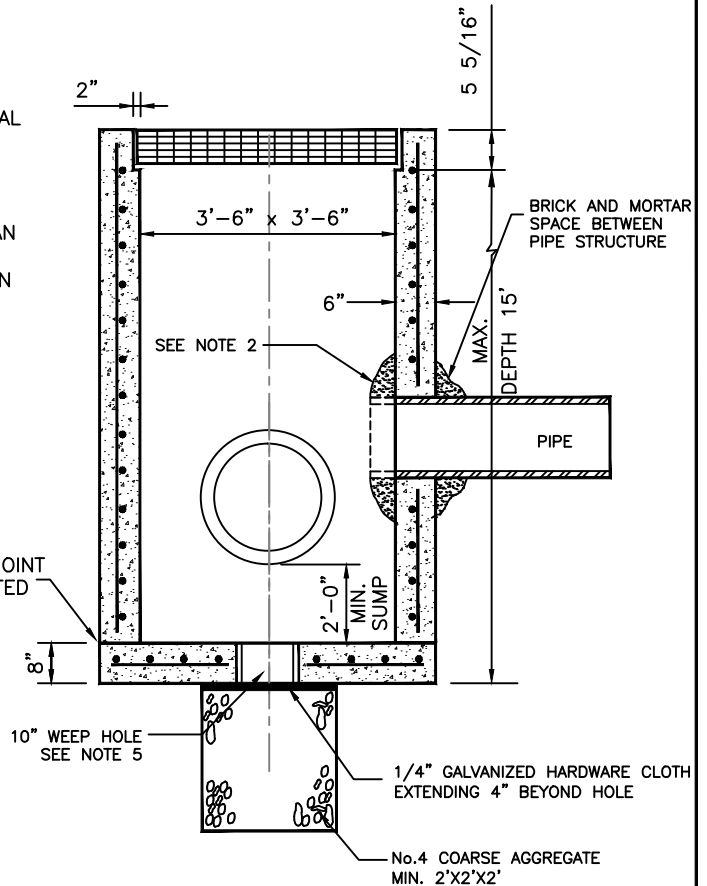
1.- ANY GRATING THAT IS CAPABLE OF SUPPORTING H-20 LOADS MAY BE SUBSTITUTED FOR THE U.S. FOUNDRY NO. 6646 UPON APPROVAL OF THE DEPARTMENT PROVIDING IT MEETS THE FOLLOWINGS CONDITIONS:

- a-MANUFACTURER MUST BE LISTED IN FDOT'S QPL.
- b-THE NET OPEN AREA OF THE GRATE MUST NOT BE LESS THAN THAT OF THE U.S. FOUNDRY NO. 6646.
- c-THE MAXIMUM DISTANCE (MEASURED PERPENDICULAR) BETWEEN BARS DOES NOT EXCEED 3".

- 2.- PIPES MAY EXTEND INTO CATCH BASIN MAXIMUM OF 4".
- 3.- USE 4,000 psi CONCRETE (MINIMUM), MAXIMUM W/C=0.53, GRADE 60 STEEL FOR REBAR AND GRADE 65 FOR WWF.
- 4.- WEEP HOLES ARE TO BE USED WHEN THE YEARLY LOWEST WATER ELEVATION IS ABOVE THE TOP OF THE BOTTOM SLAB OF THE STRUCTURE.



**PLAN**



MIAMI-DADE COUNTY DEPARTMENT OF TRANSPORTATION AND PUBLIC WORKS	APPROVED 5/8/2018	REVISED 5/8/2018	STANDARD STORM DRAINAGE DETAIL MANHOLE AND INLET (TYPE P)	SD 2.7 SHEET 3 OF 4
--	----------------------	---------------------	---	---------------------------